

## VIN PLATE DECODING INFORMATION

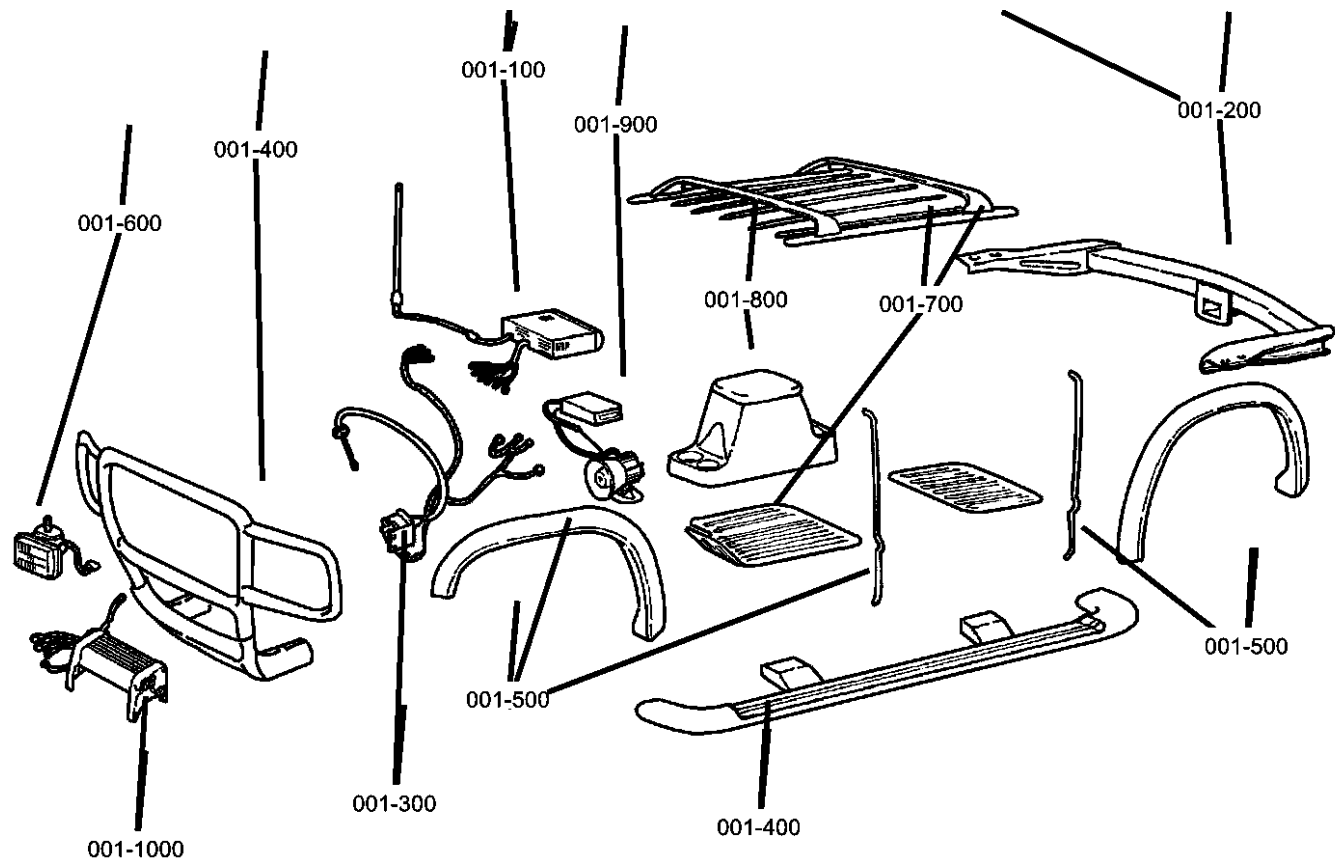
<b>1</b>	<b>2</b>	<b>3</b>	<b>4</b>	<b>5</b>	<b>6</b>	<b>7</b>	<b>8</b>	<b>9</b>	<b>10</b>	<b>11</b>	<b>12 thru 17</b>
<b>Country</b>	<b>Make</b>	<b>Vehicle Type</b>	<b>Other</b>	<b>Line</b>	<b>Series</b>	<b>Body Style</b>	<b>Engine</b>	<b>Check Digit</b>	<b>Model Year</b>	<b>Assy. Plant</b>	<b>Sequence No.</b>


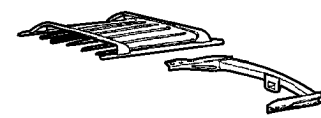

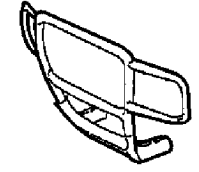



The following table interprets the VIN Plate position shown above.

Position	Interpretation	Codes = Description
1	Country of Origin	1 = Built in U.S. by DaimlerChrysler Corporation
2	Assembler	J = Jeep
3	Vehicle Type	4 = Multipurpose Passenger Vehicle Less Side Air Bags
4	GVWR & Pass. Safety	E = 1361-1814 kg (3001-4000 lbs) F = 1814-2267 kg (4001-5000 lbs) G = 2268-2721 kg (5001-6000 lbs) H = 2722-3175 kg (6001-7000 lbs) J = 3176-3628 kg (7001-8000 lbs) K = 3629-4082 kg (8001-9000 lbs) L = 4083-4535 kg (9001-10000 lbs) M = 4536-6350 kg (10001-14000 lbs)
5	Vehicle Line	K = Liberty 4x2 Left Hand Drive L = Liberty/Cherokee 4x4 Left Hand Drive M = Liberty/Cherokee 4x4 Right Hand Drive
6	Series	4 = H Series - Liberty/Cherokee Sport 3 = M Series - Liberty Renegade 5 = P Series - Liberty/Cherokee Limited
7	Body Style	8 = KJ - 74
8	Engine	1 = 2.4L I4 Cyl. Gas DOHC (ED1) K = 3.7L V6 Cyl. Gas (EKG) 7 = 2.5L I4 Cyl. 16V Turbo Diesel (ENJ) 5 = 2.8L I4 Cyl. 16V Turbo Diesel (ENR)
9	Check Digit	0 = Check Digit 0 = Check Digit
10	Model Year	6 = 2006
11	Assembly Plant	L = Toledo North Assembly
12 thru 17	Vehicle Build Sequence	Model Year Assembly Sequence

# Group - 1

## Component Parts for Mopar Accessories



<p><b>001-100</b> Audio &amp; Electronics</p> 	<p><b>001-200</b> Carriers &amp; Cargo Hauling</p> 	<p><b>001-300</b> Driving Convenience</p> 	<p><b>001-400</b> Exterior Appearance</p> 
<p><b>001-500</b> Exterior Protection</p> 	<p><b>001-600</b> Fog Lights &amp; Electrical</p> 	<p><b>001-800</b> Interior Storage</p> 	

---

## Group - 1 Component Parts for Mopar Accessories

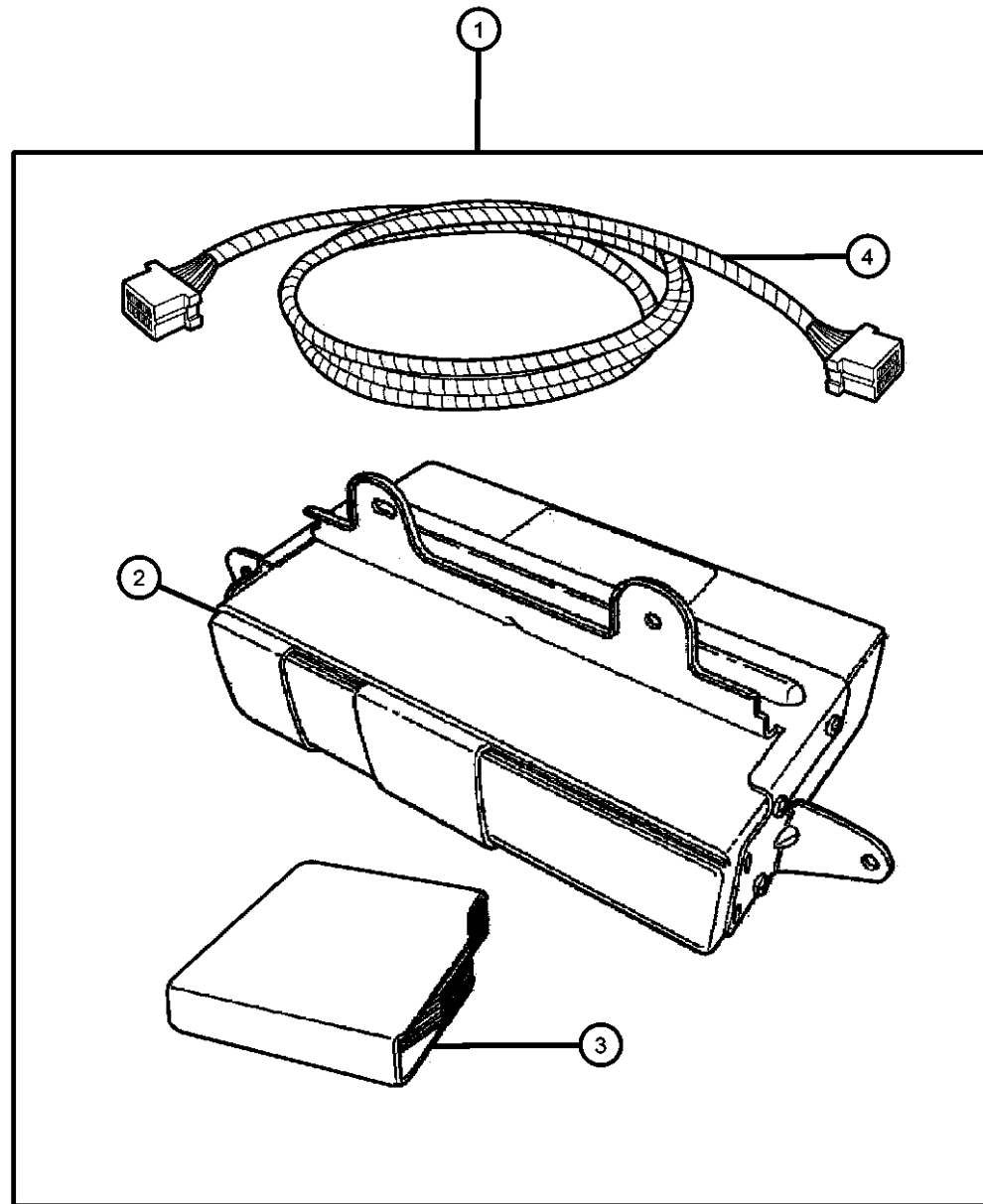
Illustration Title	Group-Fig. No.
<b>Audio &amp; Electronics</b>	
Player Kit - CD Changer .....	Fig. 1 - 110
Satellite Receiver Kit .....	Fig. 1 - 120
Install Kit - Satellite Receiver Without CD Changer .....	Fig. 1 - 130
Install Kit - Satellite Receiver With CD .....	Fig. 1 - 135
Navigation Kit (RB1) .....	Fig. 1 - 140
Navigation Kit (RB4) .....	Fig. 1 - 145
<b>Carriers &amp; Cargo Hauling</b>	
Bike Carrier - Roof - Fork Mount .....	Fig. 1 - 210
Bike Carrier - Roof - Upright Mount .....	Fig. 1 - 215
Carrier Kit - Canoe .....	Fig. 1 - 225
Carrier Kit - Water Sports .....	Fig. 1 - 230
Ski Carrier - Spare Tire Mount .....	Fig. 1 - 235
Ski Carrier - Roof Mount .....	Fig. 1 - 240
Luggage Carrier - Roof - Hard Style .....	Fig. 1 - 245
Luggage Carrier - Roof - Vinyl .....	Fig. 1 - 250
Rack Kit - Sport Utility .....	Fig. 1 - 255
Wiring Kit - Trailer Tow - 4 Way .....	Fig. 1 - 260
Wiring Kit - Trailer Tow - 7 Way .....	Fig. 1 - 265
Fan Kit - Engine .....	Fig. 1 - 270
<b>Driving Convenience</b>	
Remote Start - Installation Kit .....	Fig. 1 - 310
Hands Free Kit/Cellular Phone Blue Tooth .....	Fig. 1 - 320
<b>Exterior Appearance</b>	
Running Board Kit .....	Fig. 1 - 410
Wheel Kit .....	Fig. 1 - 415
<b>Exterior Protection</b>	
Skid Plate - Transfer Case .....	Fig. 1 - 510
Skid Plate - Fuel Tank .....	Fig. 1 - 515
<b>Fog Lights &amp; Electrical</b>	
Light Bar Roof .....	Fig. 1 - 615
<b>Interior Storage</b>	
Guard Kit - Dog .....	Fig. 1 - 810

**Player Kit - CD Changer**  
**Figure 1-110**

ITEM	PART NUMBER	QTY	LINE	SERIES	BODY	ENGINE	TRANS	TRIM	DESCRIPTION
------	-------------	-----	------	--------	------	--------	-------	------	-------------

Note; For Warranty Repair On Item 2, Order Using Z Prefix

1	82208269	1			74				PLAYER KIT, CD Changer - 6 Disc
2	56038616AA	1			74				CHANGER, CD
3	04797433	1							MAGAZINE, CD Changer
4	05073243AB	1			74				CABLE, CD Changer



**LIBERTY (KJ)**

SERIES	LINE
H = HIGHLINE	T = JEEP - 2WD
M = MEDIUM	J = JEEP - 4WD
P = PREMIUM	U = JEEP - 4WD (RHD)

BODY
74 = SPORT UTILITY 4-DR

ENGINE	TRANSMISSION
EKG = 3.7L V6 Engine	DG6 = 4-Spd. Automatic 42RLE
ENR = 2.8L 4 Cyl Turbo Diesel Engine	Transmission
ENJ = 2.5L 4 Cyl 16V Turbo Diesel Engine	DGV = 4-Spd. Automatic VLP
ED1 = 2.4L 4 Cyl DOHC 16v SMPI Engine	Transmission
	DGQ = 5-Spd Automatic 5-45RFE
	Transmission
	DEH = 6-Speed Manual NSG370
	Transmission
	DDD = 5-Speed HD Manual
	Transmission
	DDK = 5-Speed HD Manual
	Transmission

AR = use ase required - = Non illustrated part

2006 KJ

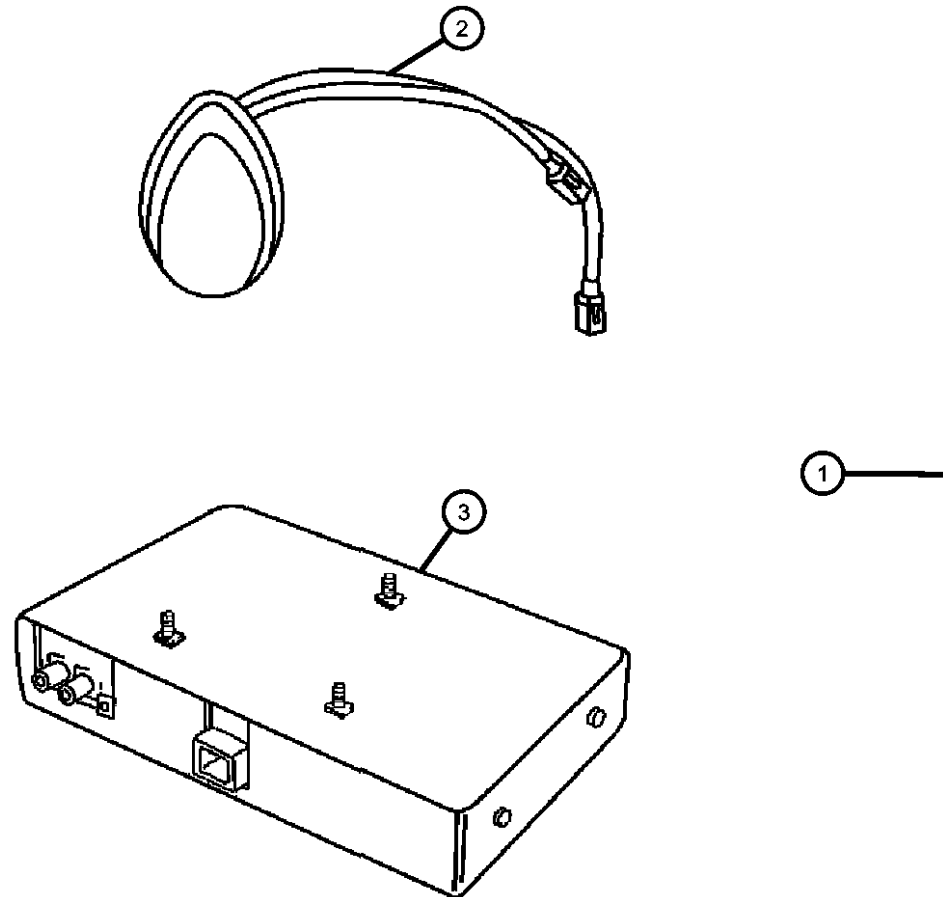


**Satellite Receiver Kit  
Figure 1-120**

ITEM	PART NUMBER	QTY	LINE	SERIES	BODY	ENGINE	TRANS	TRIM	DESCRIPTION
------	-------------	-----	------	--------	------	--------	-------	------	-------------

Note: For Warranty Repair on Item 3, Order Using Z Prefix

1	82206488AB	1							RECEIVER, Satellite
2	05066205AC	1							ANTENNA, Satellite
3	05064020AJ	1							RECEIVER, Satellite



**LIBERTY (KJ)**

SERIES	LINE
H = HIGHLINE	T = JEEP - 2WD
M = MEDIUM	J = JEEP - 4WD
P = PREMIUM	U = JEEP - 4WD (RHD)

BODY
74 = SPORT UTILITY 4-DR

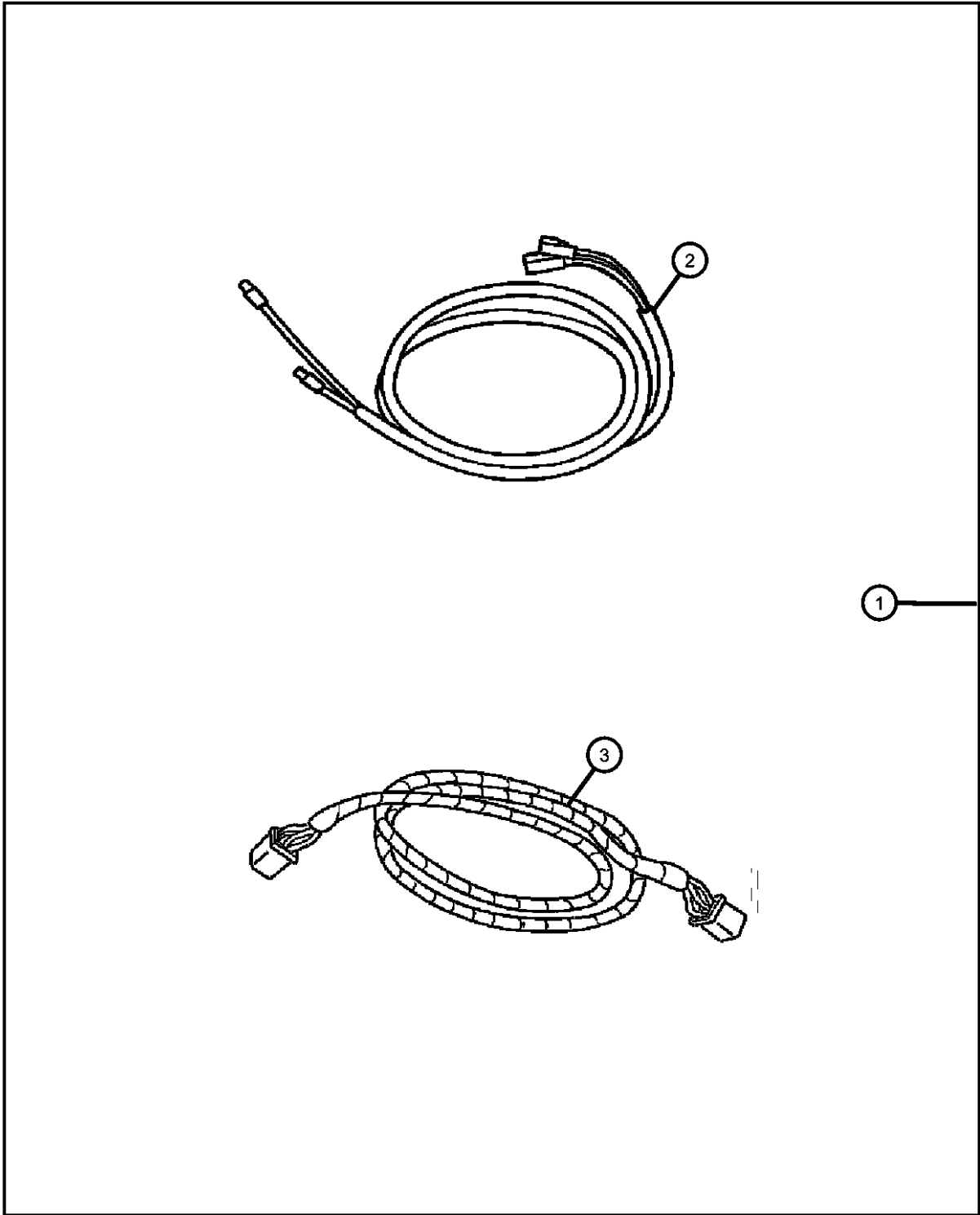
ENGINE	TRANSMISSION
EKG = 3.7L V6 Engine	DG6 = 4-Spd. Automatic 42RLE
ENR = 2.8L 4 Cyl Turbo Diesel Engine	DGV = 4-Spd. Automatic VLP
ENJ = 2.5L 4 Cyl 16V Turbo Diesel Engine	DGQ = 5-Spd Automatic 5-45RFE
ED1 = 2.4L 4 Cyl DOHC 16v SMPI Engine	DEH = 6-Speed Manual NSG370
	DDD = 5-Speed HD Manual
	DDK = 5-Speed HD Manual

AR = use ase required - = Non illustrated part

2006 KJ

**Install Kit - Sattelite Receiver Without CD Changer**  
**Figure 1-130**

ITEM	PART NUMBER	QTY	LINE	SERIES	BODY	ENGINE	TRANS	TRIM	DESCRIPTION
1	82206489	1							INSTALL KIT, Satelite Receiver
2	05066207AB	1							CABLE, Antenna
3	05066203AA	1							WIRING, Rcvr to Radio

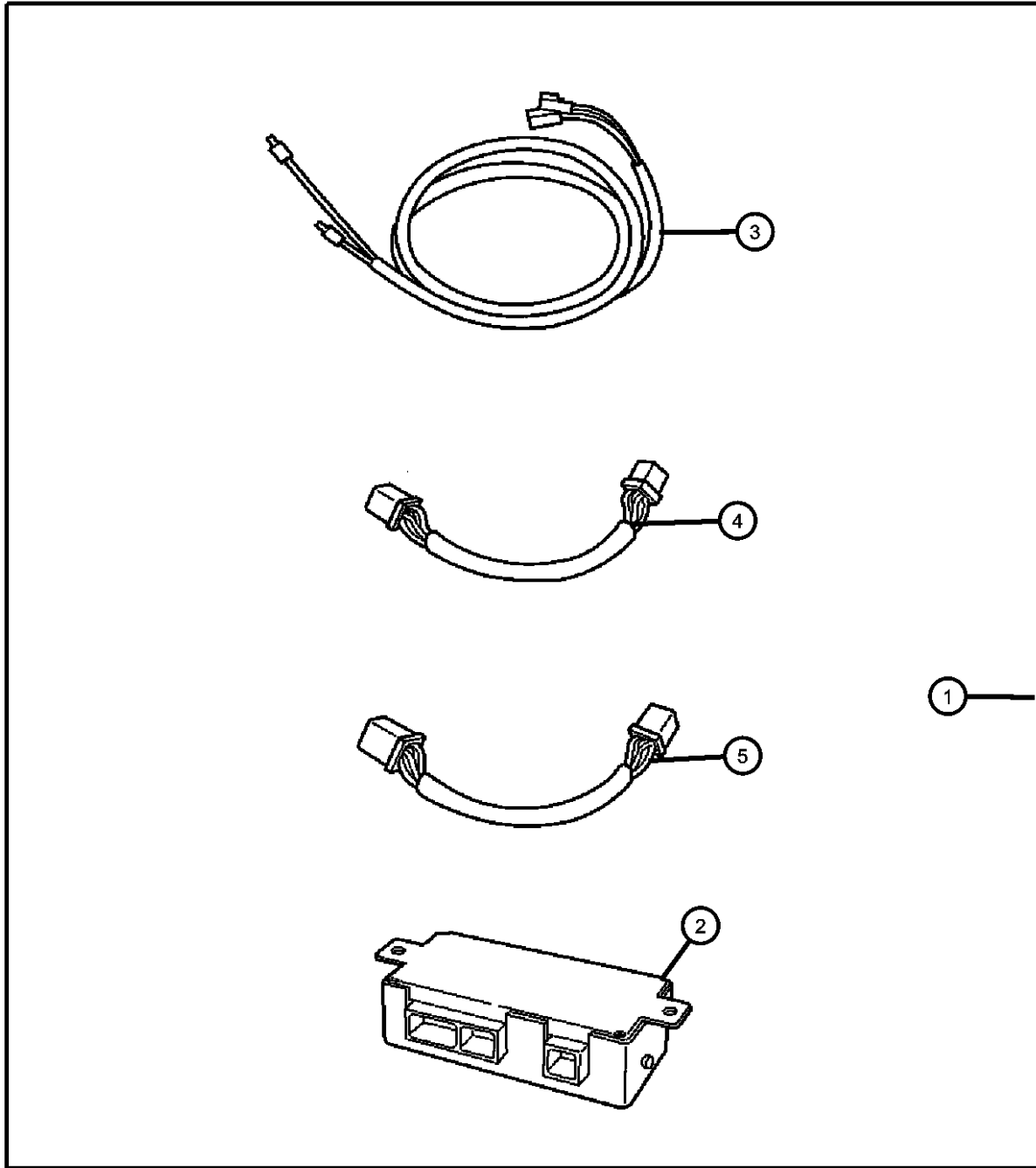


<b>LIBERTY (KJ)</b>				
SERIES	LINE	BODY	ENGINE	TRANSMISSION
H = HIGHLINE	T = JEEP - 2WD	74 = SPORT UTILITY 4-DR	EKG = 3.7L V6 Engine	DG6 = 4-Spd. Automatic 42RLE
M = MEDIUM	J = JEEP - 4WD		ENR = 2.8L 4 Cyl Turbo Diesel Engine	Transmission
P = PREMIUM	U = JEEP - 4WD (RHD)		ENJ = 2.5L 4 Cyl 16V Turbo Diesel Engine	DGV = 4-Spd. Automatic VLP
			ED1 = 2.4L 4 Cyl DOHC 16v SMPI Engine	Transmission
				DGQ = 5-Spd Automatic 5-45RFE
				Transmission
				DEH = 6-Speed Manual NSG370
				Transmission
				DDD = 5-Speed HD Manual
				Transmission
				DDK = 5-Speed HD Manual
				Transmission

AR = use ase required - = Non illustrated part

**Install Kit - Satellite Receiver With CD**  
**Figure 1-135**

ITEM	PART NUMBER	QTY	LINE	SERIES	BODY	ENGINE	TRANS	TRIM	DESCRIPTION
1	82207565	1							INSTALL KIT, Satelite Receiver
2	05066202AC	1							MODULE, RR Multiplex
3	05066207AB	1							CABLE, Antenna
4	05066206AA	1							WIRING, RCVR TO MUX
5	05083163AA	1							WIRING, CD to MUX
-6	05066210AA	1							WIRING, Adaptor



**LIBERTY (KJ)**

SERIES	LINE
H = HIGHLINE	T = JEEP - 2WD
M = MEDIUM	J = JEEP - 4WD
P = PREMIUM	U = JEEP - 4WD (RHD)

BODY  
 74 = SPORT UTILITY 4-DR

ENGINE	TRANSMISSION
EKG = 3.7L V6 Engine	DG6 = 4-Spd. Automatic 42RLE
ENR = 2.8L 4 Cyl Turbo Diesel Engine	Transmission
ENJ = 2.5L 4 Cyl 16V Turbo Diesel Engine	DGV = 4-Spd. Automatic VLP
ED1 = 2.4L 4 Cyl DOHC 16v SMPI Engine	Transmission
	DGQ = 5-Spd Automatic 5-45RFE
	Transmission
	DEH = 6-Speed Manual NSG370
	Transmission
	DDD = 5-Speed HD Manual
	Transmission
	DDK = 5-Speed HD Manual
	Transmission

AR = use ase required - = Non illustrated part

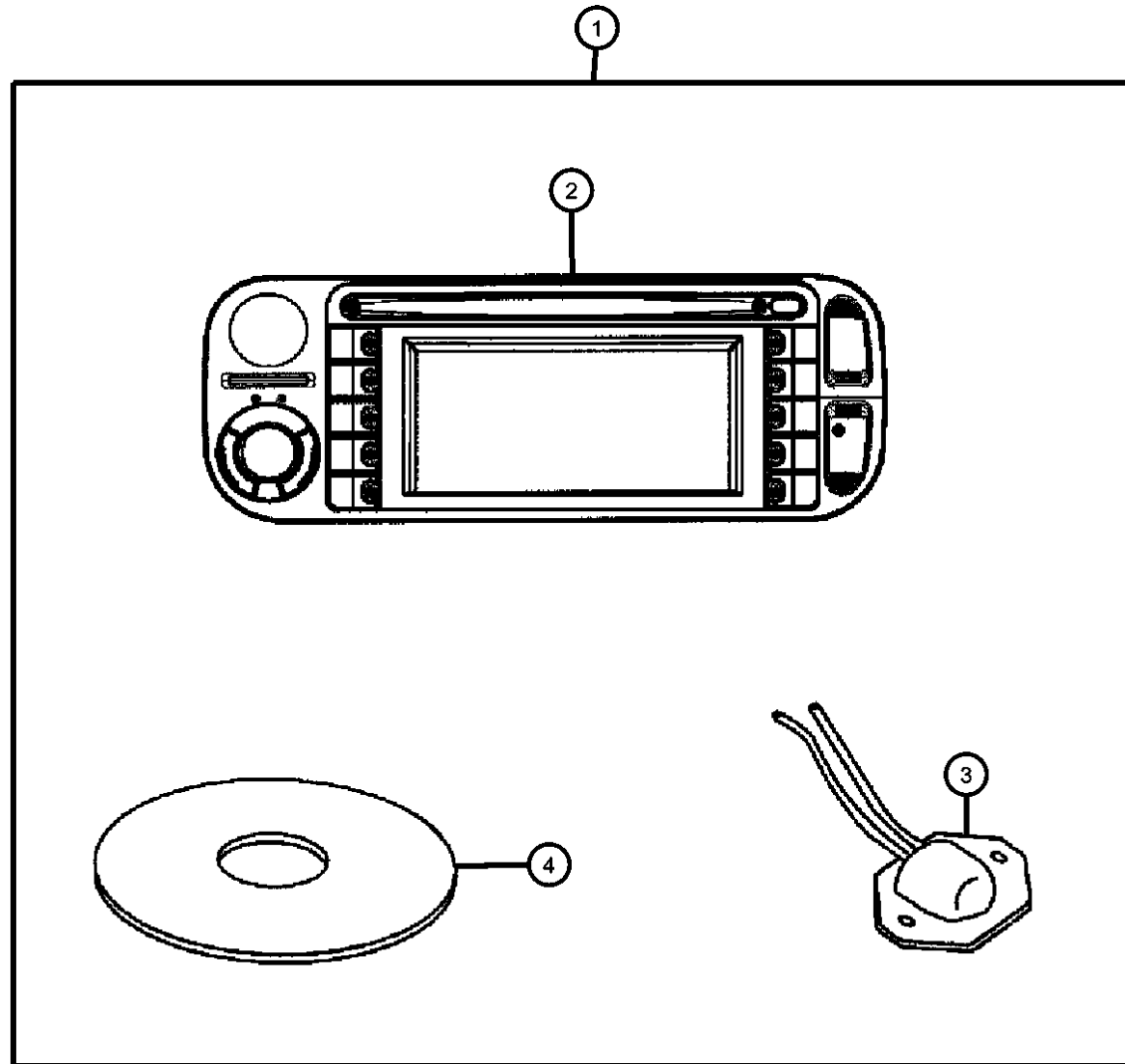
2006 KJ

Navigation Kit (RB1)  
Figure 1-140

ITEM	PART NUMBER	QTY	LINE	SERIES	BODY	ENGINE	TRANS	TRIM	DESCRIPTION
------	-------------	-----	------	--------	------	--------	-------	------	-------------

Note: For Warranty Repair On Item 2, Order Using Z Prefix

1	82208715AC	1							RADIO, AM/FM CD W/NAV/DVD & CD-CTRL
2	56038629AH	1							RADIO, AM/FM CD W/NAV/DVD & CD-CTRL
3	56038630AA	1							ANTENNA, GPS
4	05064033AC	1							DVD, Geographic Database



LIBERTY (KJ)

SERIES	LINE
H = HIGHLINE	T = JEEP - 2WD
M = MEDIUM	J = JEEP - 4WD
P = PREMIUM	U = JEEP - 4WD (RHD)

BODY
74 = SPORT UTILITY 4-DR

ENGINE	TRANSMISSION
EKG = 3.7L V6 Engine	DG6 = 4-Spd. Automatic 42RLE
ENR = 2.8L 4 Cyl Turbo Diesel Engine	Transmission
ENJ = 2.5L 4 Cyl 16V Turbo Diesel Engine	DGV = 4-Spd. Automatic VLP
ED1 = 2.4L 4 Cyl DOHC 16v SMPI Engine	Transmission
	DGQ = 5-Spd Automatic 5-45RFE
	Transmission
	DEH = 6-Speed Manual NSG370
	Transmission
	DDD = 5-Speed HD Manual
	Transmission
	DDK = 5-Speed HD Manual
	Transmission

AR = use ase required - = Non illustrated part

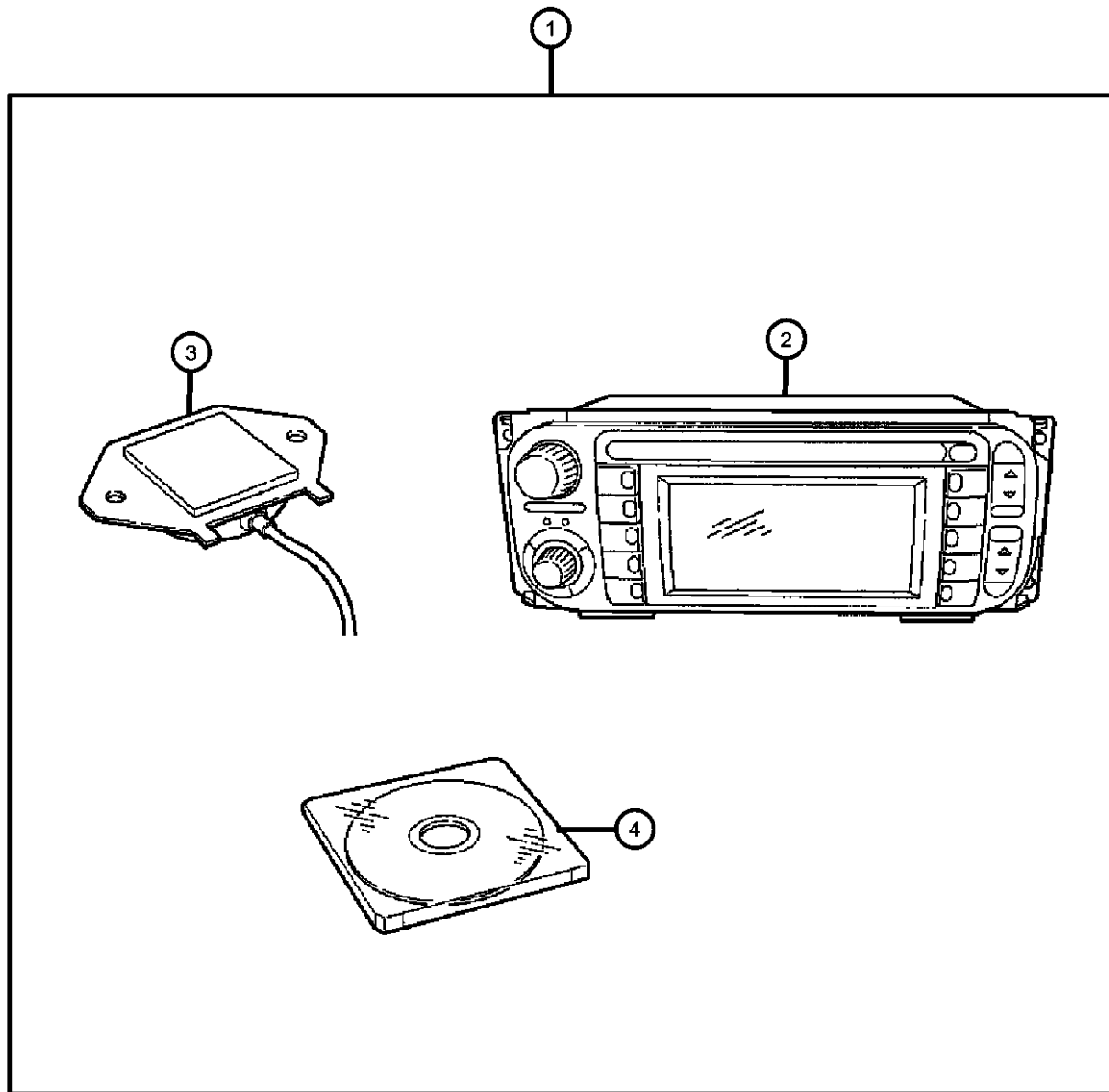
2006 KJ

Navigation Kit (RB4)  
Figure 1-145

ITEM	PART NUMBER	QTY	LINE	SERIES	BODY	ENGINE	TRANS	TRIM	DESCRIPTION
------	-------------	-----	------	--------	------	--------	-------	------	-------------

Note: For Warranty Repair on Item 2, Order Using Z Prefix

1	82208481	1							RADIO, AM/FM CD W/NAV/DVD & CD-CTRL, [RB4]
2	56043286AF	1							RADIO, AM/FM CD W/NAV/DVD & CD-CTRL
3	05094003AA	1							ANTENNA, Satellite
4	05091501AG	1							COMPACT DISC, Navigation



LIBERTY (KJ)

SERIES	LINE
H = HIGHLINE	T = JEEP - 2WD
M = MEDIUM	J = JEEP - 4WD
P = PREMIUM	U = JEEP - 4WD (RHD)

BODY
74 = SPORT UTILITY 4-DR

ENGINE	TRANSMISSION
EKG = 3.7L V6 Engine	DG6 = 4-Spd. Automatic 42RLE
ENR = 2.8L 4 Cyl Turbo Diesel Engine	Transmission
ENJ = 2.5L 4 Cyl 16V Turbo Diesel Engine	DGV = 4-Spd. Automatic VLP
ED1 = 2.4L 4 Cyl DOHC 16v SMPI Engine	Transmission
	DGQ = 5-Spd Automatic 5-45RFE
	Transmission
	DEH = 6-Speed Manual NSG370
	Transmission
	DDD = 5-Speed HD Manual
	Transmission
	DDK = 5-Speed HD Manual
	Transmission

AR = use ase required - = Non illustrated part

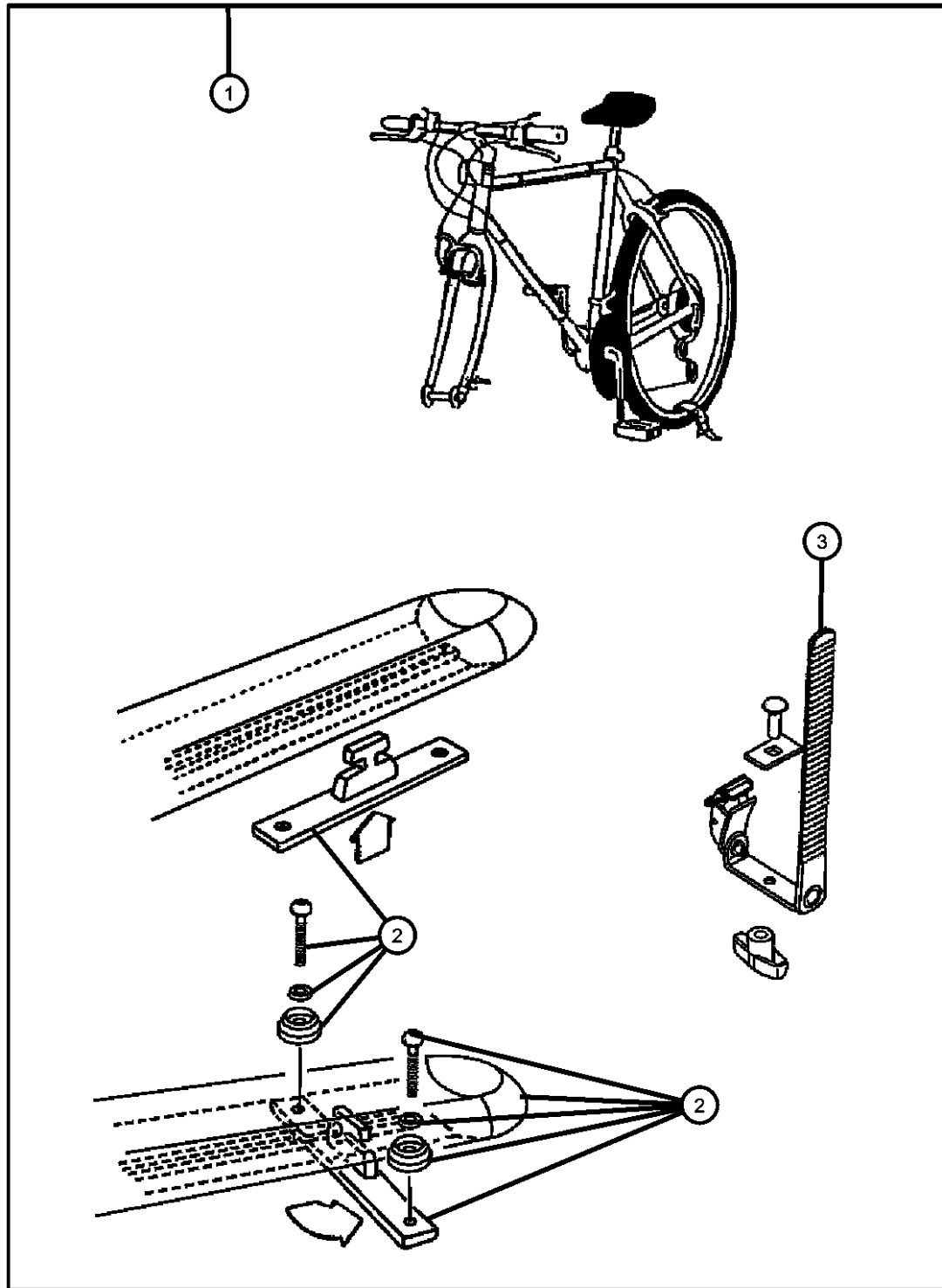
2006 KJ

**Bike Carrier - Roof - Fork Mount**  
**Figure 1-210**

ITEM	PART NUMBER	QTY	LINE	SERIES	BODY	ENGINE	TRANS	TRIM	DESCRIPTION
------	-------------	-----	------	--------	------	--------	-------	------	-------------

Note; Requires Sport Utility Rack

1	82207943	1			74				CARRIER KIT, Bike, Fork - Mount
2	05093779AA	1			74				HARDWARE KIT, Accessory
3	05114532AA	1			74				STRAP, Cargo Tie Down



**LIBERTY (KJ)**

SERIES	LINE
H = HIGHLINE	T = JEEP - 2WD
M = MEDIUM	J = JEEP - 4WD
P = PREMIUM	U = JEEP - 4WD (RHD)

BODY
74 = SPORT UTILITY 4-DR

ENGINE	TRANSMISSION
EKG = 3.7L V6 Engine	DG6 = 4-Spd. Automatic 42RLE
ENR = 2.8L 4 Cyl Turbo Diesel Engine	Transmission
ENJ = 2.5L 4 Cyl 16V Turbo Diesel Engine	DGV = 4-Spd. Automatic VLP
ED1 = 2.4L 4 Cyl DOHC 16v SMPI Engine	Transmission
	DGQ = 5-Spd Automatic 5-45RFE
	Transmission
	DEH = 6-Speed Manual NSG370
	Transmission
	DDD = 5-Speed HD Manual
	Transmission
	DDK = 5-Speed HD Manual
	Transmission

AR = use ase required - = Non illustrated part

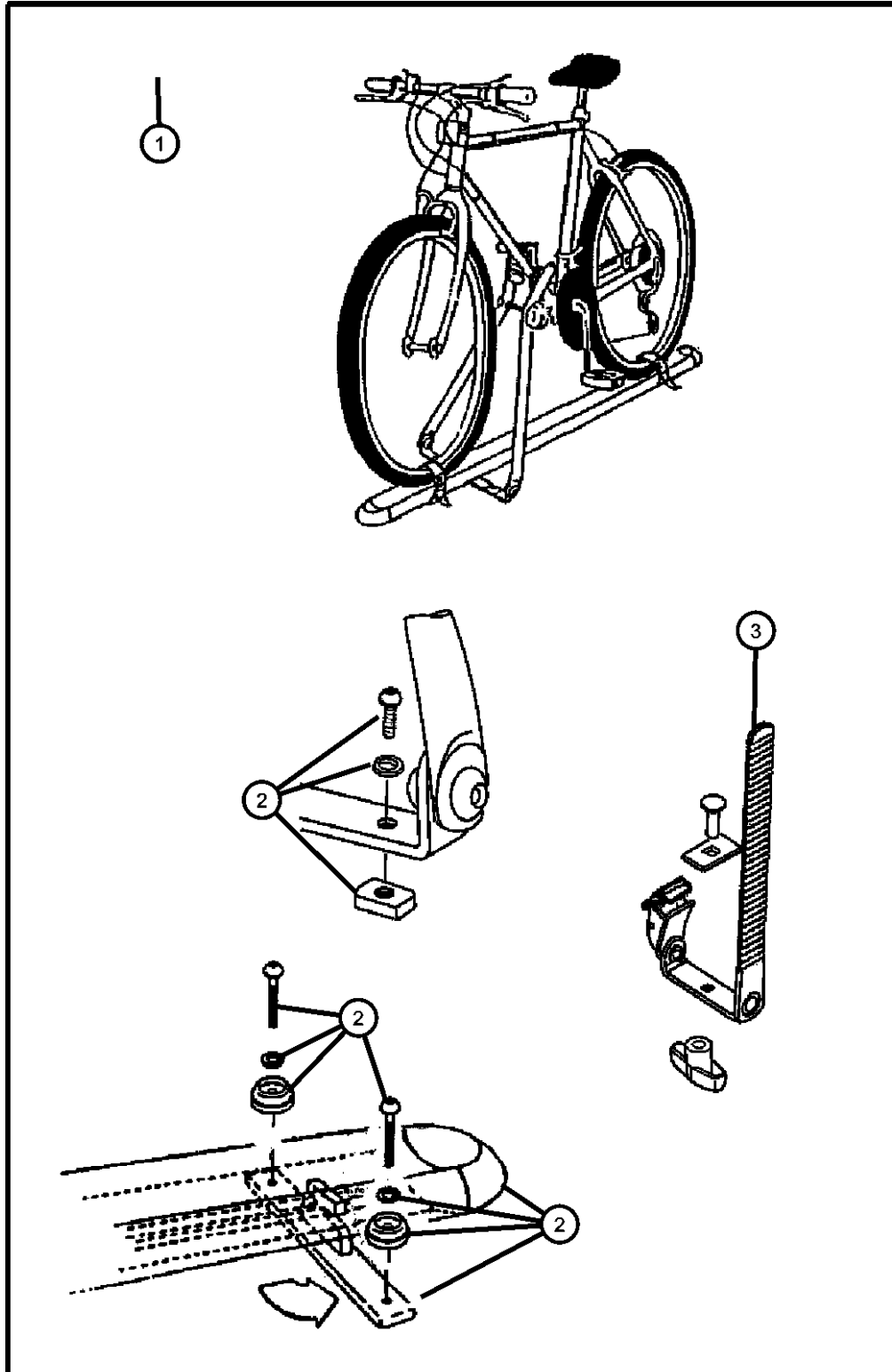
2006 KJ

**Bike Carrier - Roof - Upright Mount**  
**Figure 1-215**

ITEM	PART NUMBER	QTY	LINE	SERIES	BODY	ENGINE	TRANS	TRIM	DESCRIPTION
------	-------------	-----	------	--------	------	--------	-------	------	-------------

Note; Requires Sport Utility Rack

1	82207942	1			74				CARRIER KIT, Bike, Upright - Mount
2	05093779AA	1			74				HARDWARE KIT, Accessory
3	05114532AA	1			74				STRAP, Cargo Tie Down



**LIBERTY (KJ)**

SERIES      LINE  
H = HIGHLINE    T = JEEP - 2WD  
M = MEDIUM     J = JEEP - 4WD  
P = PREMIUM    U = JEEP - 4WD (RHD)

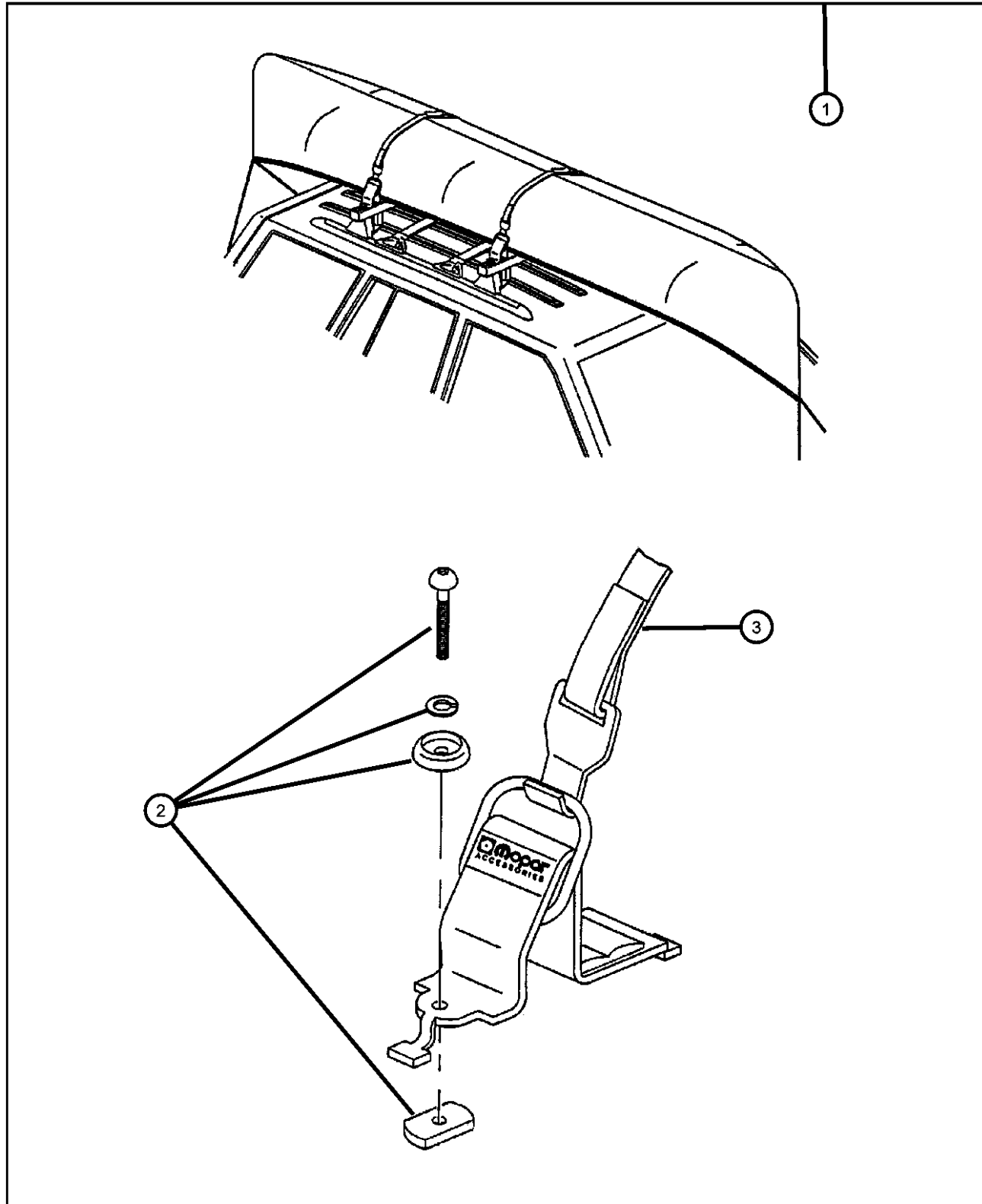
BODY  
74 = SPORT UTILITY 4-DR

ENGINE      TRANSMISSION  
EKG = 3.7L V6 Engine      DG6 = 4-Spd. Automatic 42RLE  
ENR = 2.8L 4 Cyl Turbo Diesel      Transmission  
Engine      DGV = 4-Spd. Automatic VLP  
ENJ = 2.5L 4 Cyl 16V Turbo      Transmission  
Diesel Engine      DGQ = 5-Spd Automatic 5-45RFE  
ED1 = 2.4L 4 Cyl DOHC 16v      Transmission  
SMPI Engine      DEH = 6-Speed Manual NSG370  
Transmission  
DDD = 5-Speed HD Manual  
Transmission  
DDK = 5-Speed HD Manual  
Transmission

AR = use ase required - = Non illustrated part

2006 KJ

Carrier Kit - Canoe  
Figure 1-225



ITEM	PART NUMBER	QTY	LINE	SERIES	BODY	ENGINE	TRANS	TRIM	DESCRIPTION
------	-------------	-----	------	--------	------	--------	-------	------	-------------

Note; Requires Sport Utility Rack

1	82204700	1							
2	05016389AA	1							
3	05016511AA	1							

CARRIER KIT, Canoe  
HARDWARE KIT, Accessory,  
Contains 4 25MM Button Head  
Screws, 4 30MM Button Head  
Screws, 4 Dome Washers, 4 Lock  
Washers, 4 Rubber Washers, 4  
T-Nuts  
STRAP, Cargo Tie Down

LIBERTY (KJ)

SERIES LINE  
H = HIGHLINE T = JEEP - 2WD  
M = MEDIUM J = JEEP - 4WD  
P = PREMIUM U = JEEP - 4WD (RHD)

BODY  
74 = SPORT UTILITY 4-DR

ENGINE TRANSMISSION  
EKG = 3.7L V6 Engine DG6 = 4-Spd. Automatic 42RLE  
ENR = 2.8L 4 Cyl Turbo Diesel Transmission  
Engine DGV = 4-Spd. Automatic VLP  
ENJ = 2.5L 4 Cyl 16V Turbo Transmission  
Diesel Engine DGQ = 5-Spd Automatic 5-45RFE  
ED1 = 2.4L 4 Cyl DOHC 16v Transmission  
SMPI Engine DEH = 6-Speed Manual NSG370  
Transmission  
DDD = 5-Speed HD Manual  
Transmission  
DDK = 5-Speed HD Manual  
Transmission

AR = use ase required - = Non illustrated part

2006 KJ

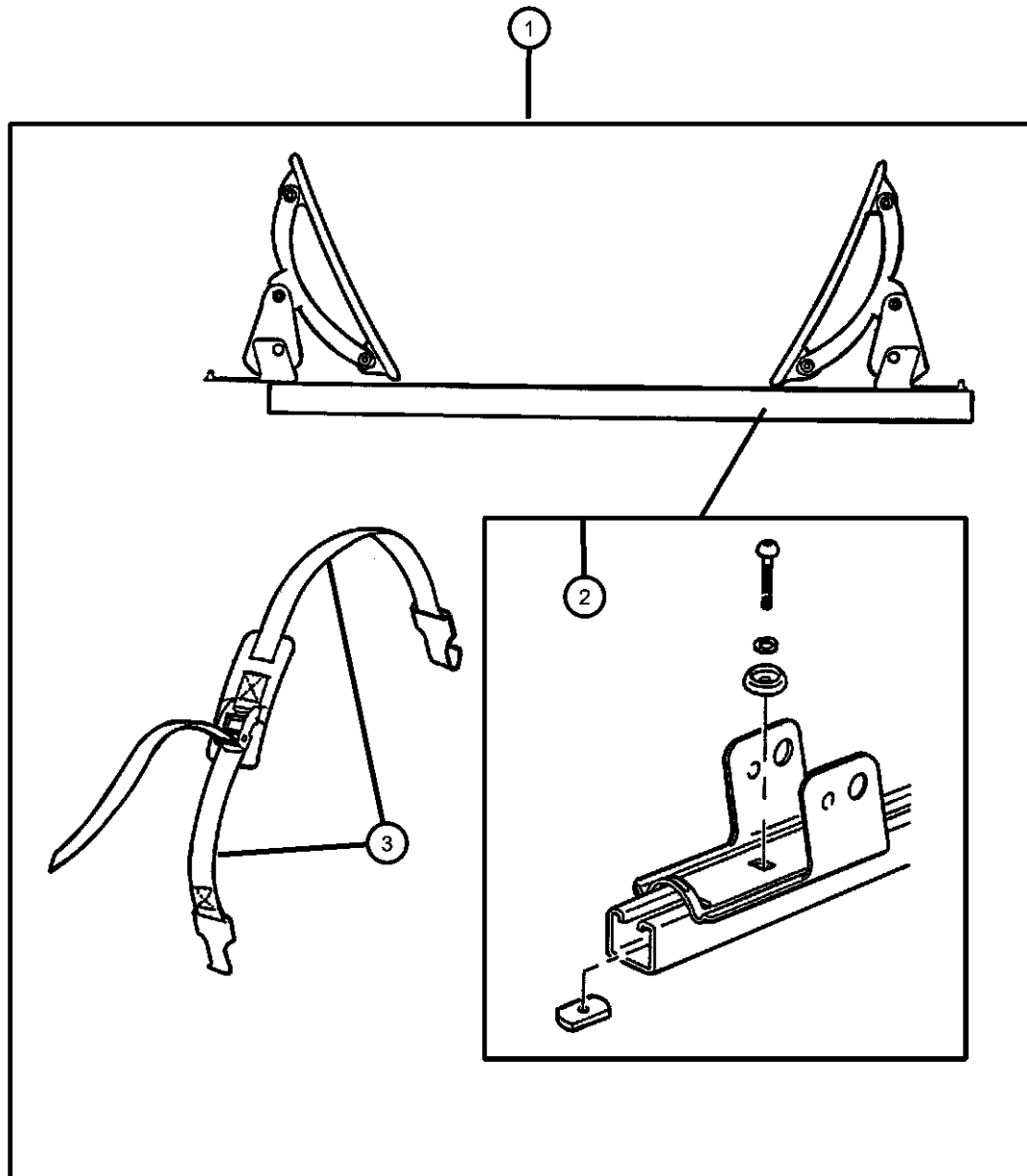


**Carrier Kit - Water Sports**  
**Figure 1-230**

ITEM	PART NUMBER	QTY	LINE	SERIES	BODY	ENGINE	TRANS	TRIM	DESCRIPTION
------	-------------	-----	------	--------	------	--------	-------	------	-------------

Note; Requires Sport Utility Rack

1	82205416	1			74				CARRIER KIT, Water Sports
2	05016389AA	1							HARDWARE KIT, Accessory, Contains 4 25MM Button Head Screws, 4 30MM Button Head Screws, 4 Dome Washers, 4 Lock Washers, 4 Rubber Washers, 4 T-Nuts
3	05016511AA	1							STRAP, Cargo Tie Down



**LIBERTY (KJ)**

SERIES	LINE
H = HIGHLINE	T = JEEP - 2WD
M = MEDIUM	J = JEEP - 4WD
P = PREMIUM	U = JEEP - 4WD (RHD)

BODY
74 = SPORT UTILITY 4-DR

ENGINE	TRANSMISSION
EKG = 3.7L V6 Engine	DG6 = 4-Spd. Automatic 42RLE
ENR = 2.8L 4 Cyl Turbo Diesel Engine	Transmission
ENJ = 2.5L 4 Cyl 16V Turbo Diesel Engine	DGV = 4-Spd. Automatic VLP
ED1 = 2.4L 4 Cyl DOHC 16v SMPI Engine	Transmission
	DGQ = 5-Spd Automatic 5-45RFE
	Transmission
	DEH = 6-Speed Manual NSG370
	Transmission
	DDD = 5-Speed HD Manual
	Transmission
	DDK = 5-Speed HD Manual
	Transmission

AR = use ase required - = Non illustrated part

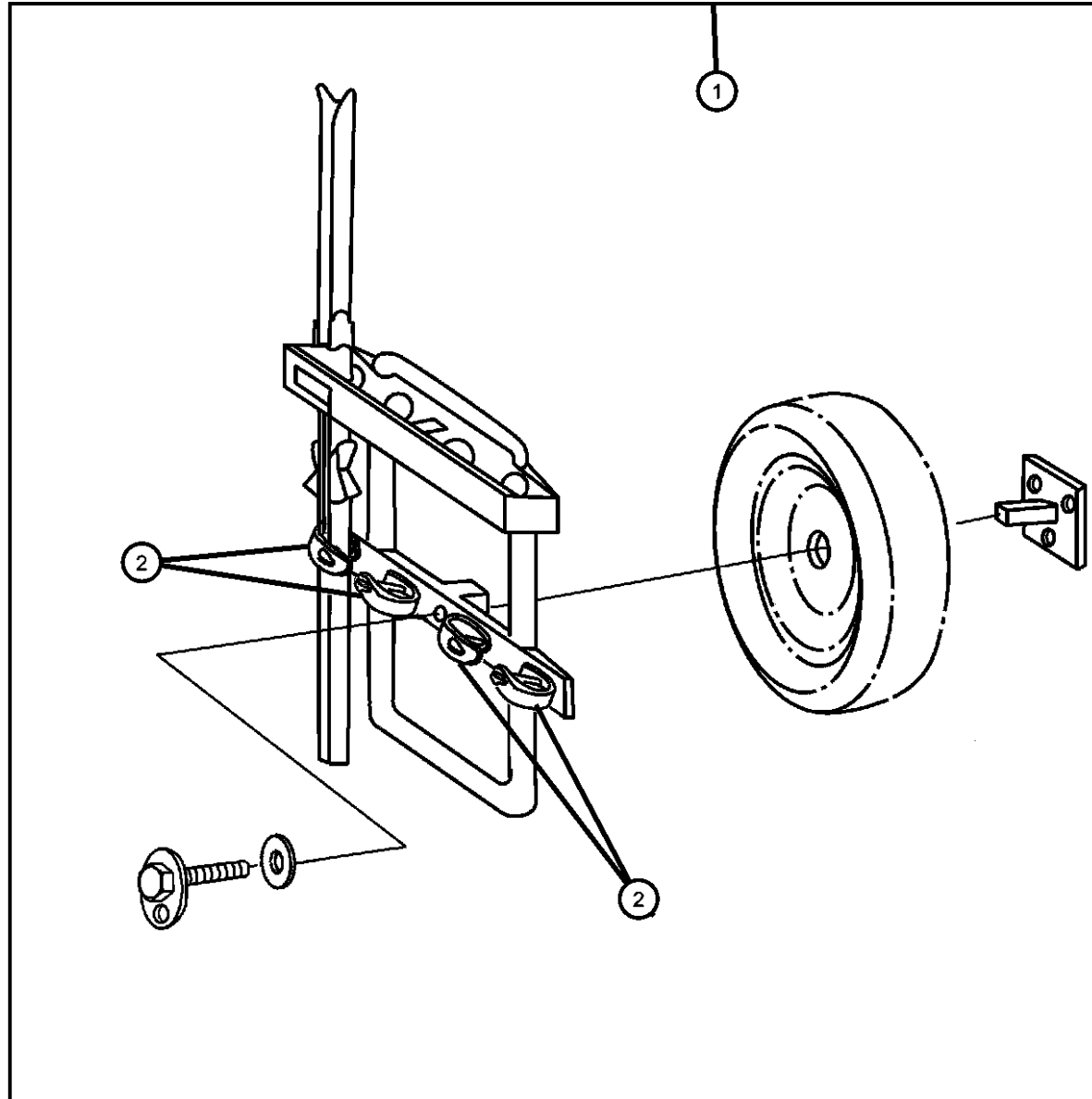
2006 KJ

**Ski Carrier - Spare Tire Mount**  
**Figure 1-235**

ITEM	PART NUMBER	QTY	LINE	SERIES	BODY	ENGINE	TRANS	TRIM	DESCRIPTION
------	-------------	-----	------	--------	------	--------	-------	------	-------------

NOTE: Requires full size, outside mounted spare tire.

1	82207643	1			74				CARRIER KIT, Ski
2	05016775AA	1			74				STRAP KIT, Bike Carrier Latch



**LIBERTY (KJ)**

SERIES	LINE
H = HIGHLINE	T = JEEP - 2WD
M = MEDIUM	J = JEEP - 4WD
P = PREMIUM	U = JEEP - 4WD (RHD)

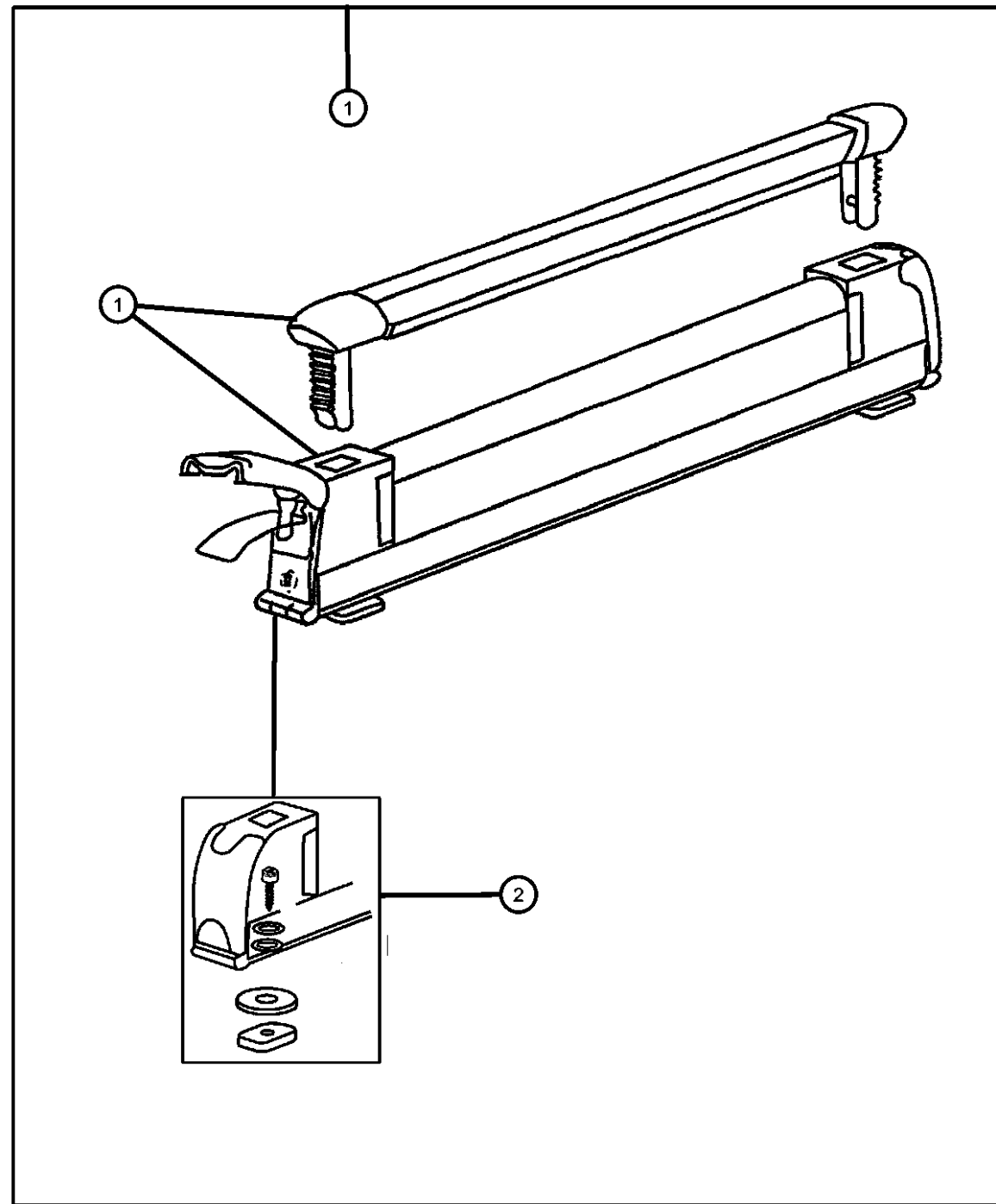
BODY
74 = SPORT UTILITY 4-DR

ENGINE	TRANSMISSION
EKG = 3.7L V6 Engine	DG6 = 4-Spd. Automatic 42RLE
ENR = 2.8L 4 Cyl Turbo Diesel Engine	Transmission
ENJ = 2.5L 4 Cyl 16V Turbo Diesel Engine	DGV = 4-Spd. Automatic VLP
ED1 = 2.4L 4 Cyl DOHC 16v SMPI Engine	Transmission
	DGQ = 5-Spd Automatic 5-45RFE
	Transmission
	DEH = 6-Speed Manual NSG370
	Transmission
	DDD = 5-Speed HD Manual
	Transmission
	DDK = 5-Speed HD Manual
	Transmission

AR = use ase required - = Non illustrated part

2006 KJ

**Ski Carrier - Roof Mount**  
**Figure 1-240**



ITEM	PART NUMBER	QTY	LINE	SERIES	BODY	ENGINE	TRANS	TRIM	DESCRIPTION
------	-------------	-----	------	--------	------	--------	-------	------	-------------

Note; Requires Sport Utility Rack

1	82207308	1							CARRIER KIT, Ski
	82207312	1							6 Pair or 4 Snowboards
	05086158AA	1							3 Pair or 2 Snowboards
2	05066632AA	1							HARDWARE KIT, Accessory, Contains: 4 - 25MM Screws, 4 - 20M Screws, 4 - 16MM Screws, 4 - Lock Washers, 4 - Flat Washers, 4 - T Plates, 4 - Rubber Washers
-3									TOOL, Screw Driver

**LIBERTY (KJ)**

SERIES	LINE
H = HIGHLINE	T = JEEP - 2WD
M = MEDIUM	J = JEEP - 4WD
P = PREMIUM	U = JEEP - 4WD (RHD)

BODY
74 = SPORT UTILITY 4-DR

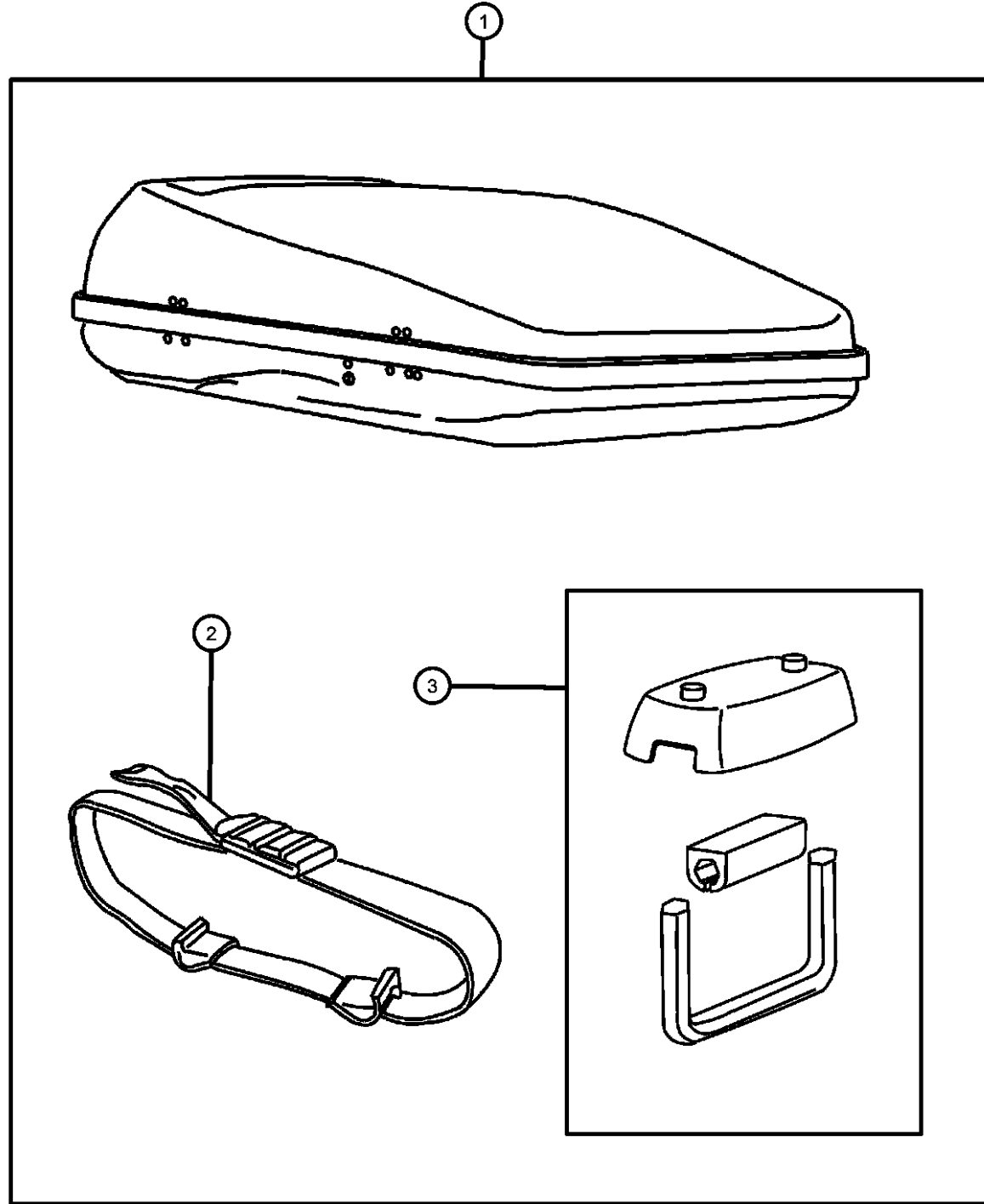
ENGINE	TRANSMISSION
EKG = 3.7L V6 Engine	DG6 = 4-Spd. Automatic 42RLE
ENR = 2.8L 4 Cyl Turbo Diesel	Transmission
Engine	DGV = 4-Spd. Automatic VLP
ENJ = 2.5L 4 Cyl 16V Turbo	Transmission
Diesel Engine	DGQ = 5-Spd Automatic 5-45RFE
ED1 = 2.4L 4 Cyl DOHC 16v	Transmission
SMPI Engine	DEH = 6-Speed Manual NSG370
	Transmission
	DDD = 5-Speed HD Manual
	Transmission
	DDK = 5-Speed HD Manual
	Transmission

AR = use ase required - = Non illustrated part

2006 KJ

Luggage Carrier - Roof - Hard Style  
Figure 1-245

ITEM	PART NUMBER	QTY	LINE	SERIES	BODY	ENGINE	TRANS	TRIM	DESCRIPTION
------	-------------	-----	------	--------	------	--------	-------	------	-------------



Note; Requires Sport Utility Rack

1	82207341AB	1							CARRIER KIT, Luggage 480 Liter Capacity
	82207353AB	1							440 Liter Capacity
2	05086160AA	1							STRAP, Cargo Tie Down
3	05086159AA	1							HARDWARE KIT

LIBERTY (KJ)

SERIES	LINE
H = HIGHLINE	T = JEEP - 2WD
M = MEDIUM	J = JEEP - 4WD
P = PREMIUM	U = JEEP - 4WD (RHD)

BODY
74 = SPORT UTILITY 4-DR

ENGINE	TRANSMISSION
EKG = 3.7L V6 Engine	DG6 = 4-Spd. Automatic 42RLE
ENR = 2.8L 4 Cyl Turbo Diesel Engine	Transmission
ENJ = 2.5L 4 Cyl 16V Turbo Diesel Engine	DGV = 4-Spd. Automatic VLP
ED1 = 2.4L 4 Cyl DOHC 16v SMPI Engine	Transmission
	DGQ = 5-Spd Automatic 5-45RFE
	Transmission
	DEH = 6-Speed Manual NSG370
	Transmission
	DDD = 5-Speed HD Manual
	Transmission
	DDK = 5-Speed HD Manual
	Transmission

AR = use ase required - = Non illustrated part

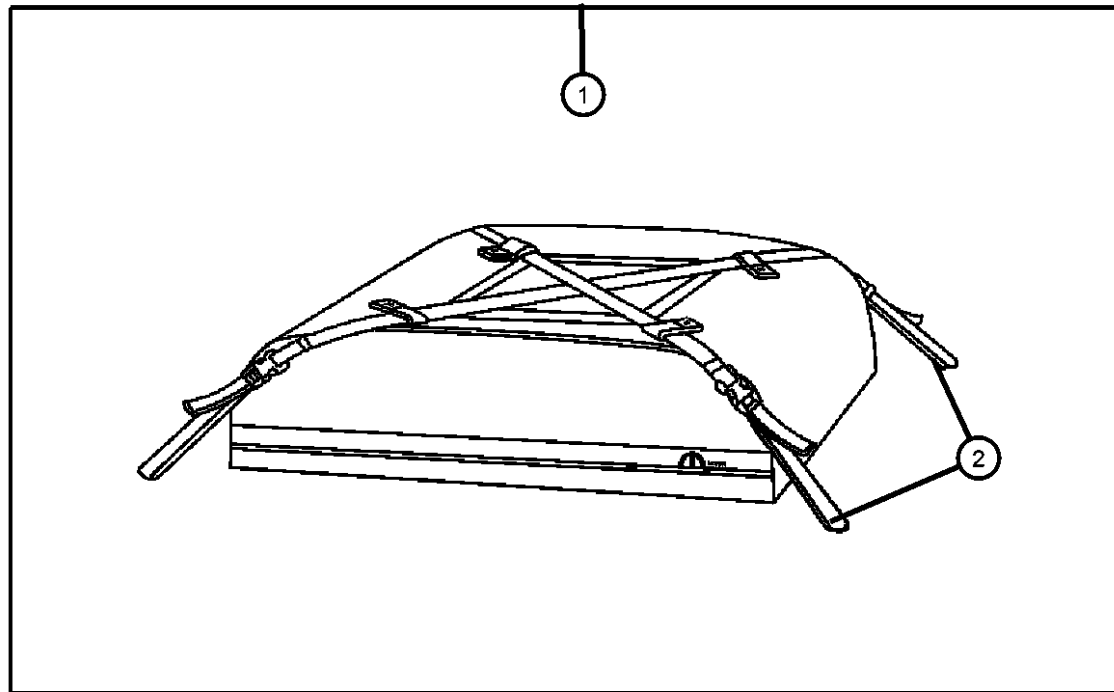
2006 KJ

**Luggage Carrier - Roof - Vinyl**  
**Figure 1-250**

ITEM	PART NUMBER	QTY	LINE	SERIES	BODY	ENGINE	TRANS	TRIM	DESCRIPTION
------	-------------	-----	------	--------	------	--------	-------	------	-------------

Note; Sport Utility or Production Rack Required

1	82207198	1							CARRIER KIT, Luggage, 39 inch x 37 inch x 12 inch
2	05066332AA	1							STRAP KIT, Luggage Carrier



**LIBERTY (KJ)**

SERIES	LINE
H = HIGHLINE	T = JEEP - 2WD
M = MEDIUM	J = JEEP - 4WD
P = PREMIUM	U = JEEP - 4WD (RHD)

BODY
74 = SPORT UTILITY 4-DR

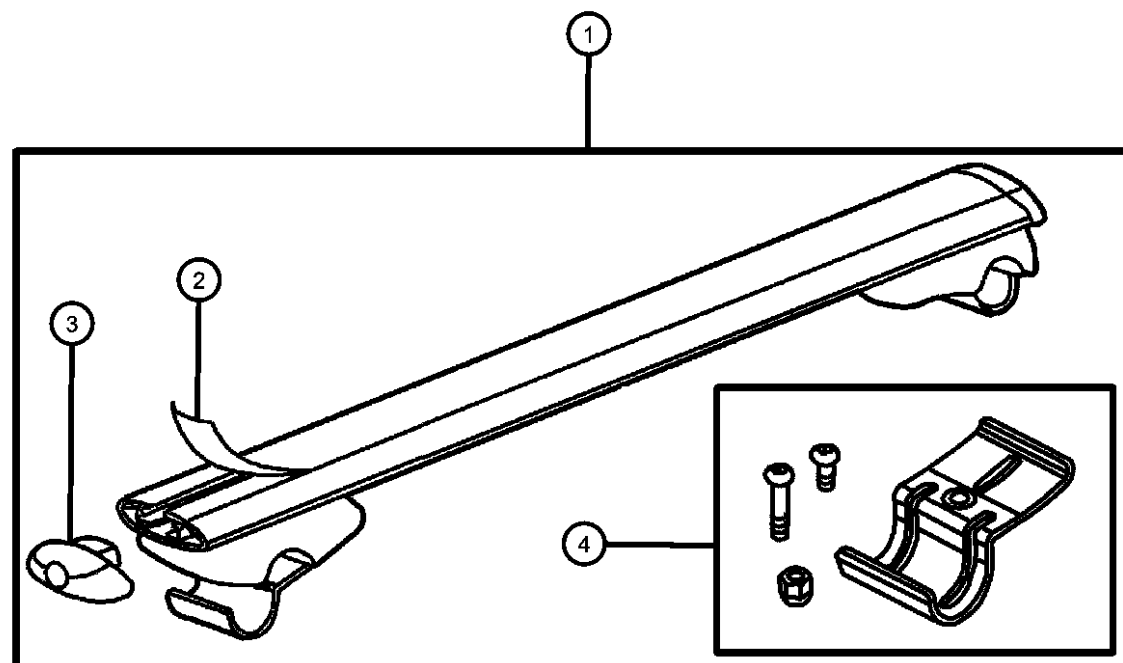
ENGINE	TRANSMISSION
EKG = 3.7L V6 Engine	DG6 = 4-Spd. Automatic 42RLE
ENR = 2.8L 4 Cyl Turbo Diesel Engine	Transmission
ENJ = 2.5L 4 Cyl 16V Turbo Diesel Engine	DGV = 4-Spd. Automatic VLP
ED1 = 2.4L 4 Cyl DOHC 16v SMPI Engine	Transmission
	DGQ = 5-Spd Automatic 5-45RFE
	Transmission
	DEH = 6-Speed Manual NSG370
	Transmission
	DDD = 5-Speed HD Manual
	Transmission
	DDK = 5-Speed HD Manual
	Transmission

AR = use ase required - = Non illustrated part

2006 KJ

Rack Kit - Sport Utility  
Figure 1-255

ITEM	PART NUMBER	QTY	LINE	SERIES	BODY	ENGINE	TRANS	TRIM	DESCRIPTION
1	82205174	1	J, T		74				RACK KIT, Sport - Rail Mount
2	05086161AA	1	J, T		74				RUB STRIP, Lugg Rack Cross
3	05086162AA	1	J, T		74				END CAP, Luggage Rack
4	05086293AA	1	J, T		74				HARDWARE KIT
-5	05066632AA	1	J, T		74				TOOL, Screw Driver



LIBERTY (KJ)

SERIES      LINE  
H = HIGHLINE    T = JEEP - 2WD  
M = MEDIUM     J = JEEP - 4WD  
P = PREMIUM    U = JEEP - 4WD (RHD)

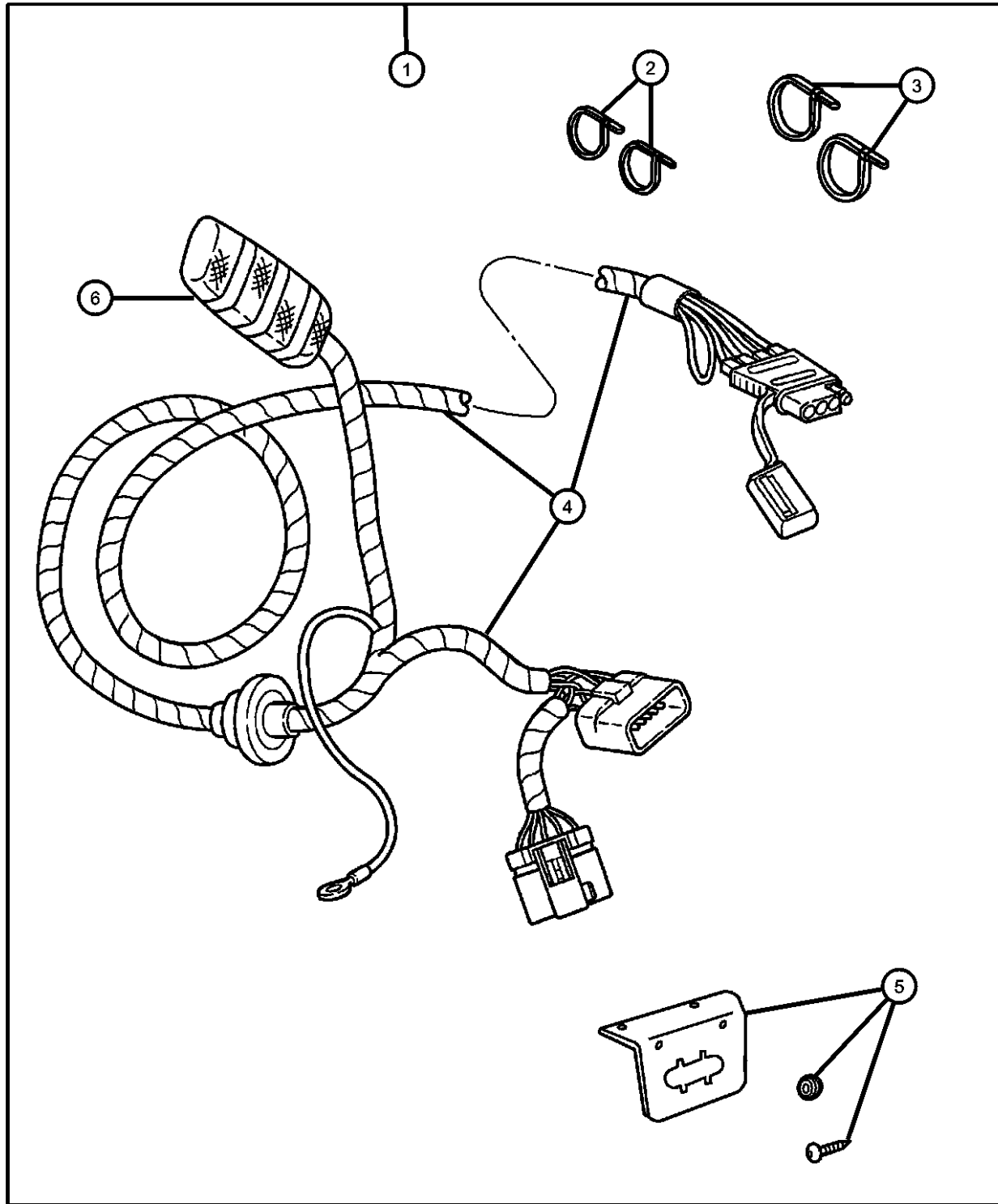
BODY  
74 = SPORT UTILITY 4-DR

ENGINE      TRANSMISSION  
EKG = 3.7L V6 Engine      DG6 = 4-Spd. Automatic 42RLE  
ENR = 2.8L 4 Cyl Turbo Diesel      Transmission  
Engine      DGV = 4-Spd. Automatic VLP  
ENJ = 2.5L 4 Cyl 16V Turbo      Transmission  
Diesel Engine      DGQ = 5-Spd Automatic 5-45RFE  
ED1 = 2.4L 4 Cyl DOHC 16v      Transmission  
SMPI Engine      DEH = 6-Speed Manual NSG370  
Transmission  
DDD = 5-Speed HD Manual  
Transmission  
DDK = 5-Speed HD Manual  
Transmission

AR = use ase required - = Non illustrated part

2006 KJ

**Wiring Kit - Trailer Tow - 4 Way**  
**Figure 1-260**



ITEM	PART NUMBER	QTY	LINE	SERIES	BODY	ENGINE	TRANS	TRIM	DESCRIPTION
1	82207290	1							WIRING PACKAGE, Trailer Tow
2	04641780	1							STRAP, Tie
3	06016155	1							STRAP, Tie
4	06016155	1							WIRING, Trailer Tow - 4 Way, Serviced in Package, (NOT SERVICED)
5	82204602	1							BRACKET KIT, Trailer Tow
6	04671168	1							RELAY, Mini

**LIBERTY (KJ)**

SERIES      LINE  
H = HIGHLINE    T = JEEP - 2WD  
M = MEDIUM     J = JEEP - 4WD  
P = PREMIUM    U = JEEP - 4WD (RHD)

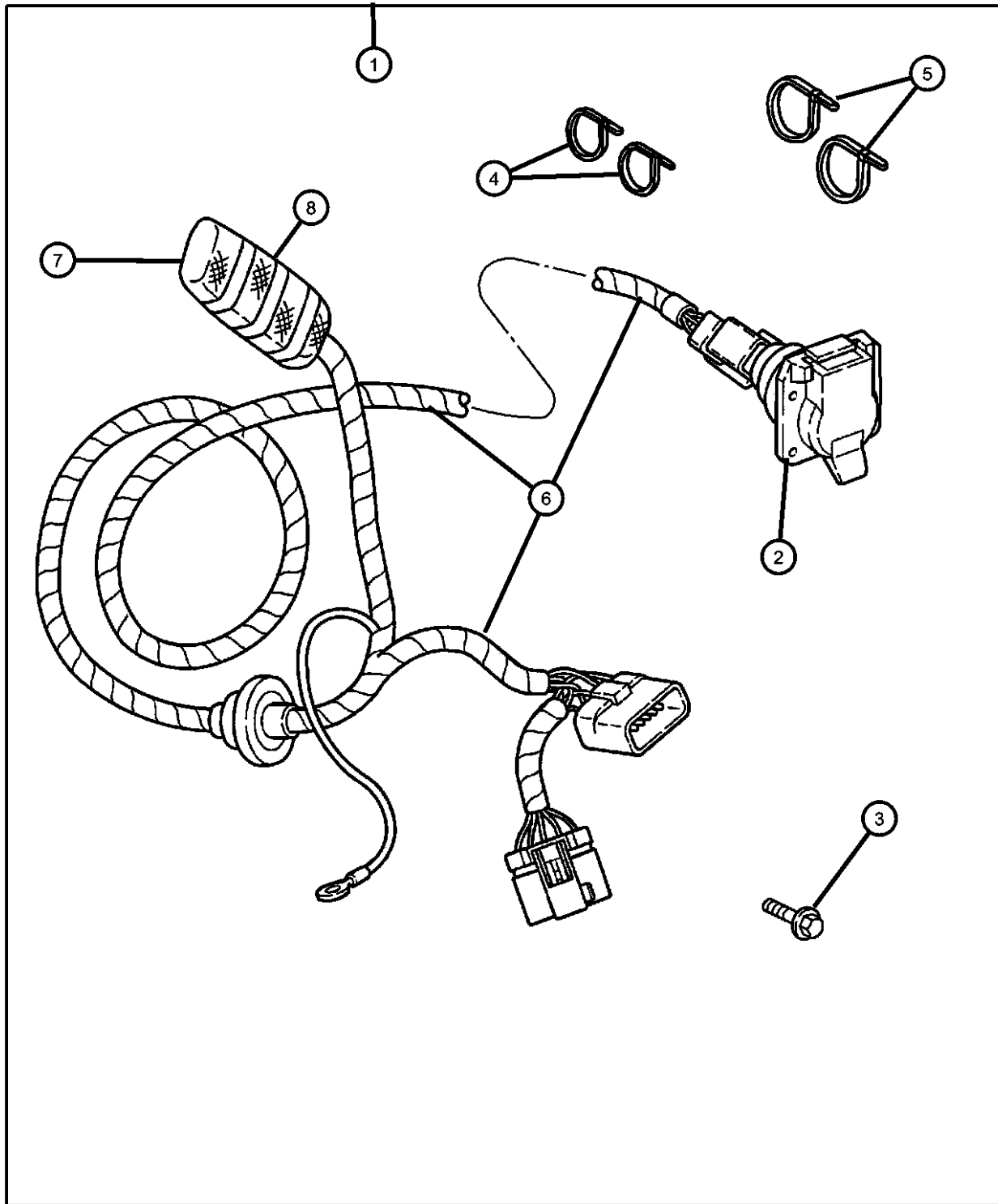
BODY  
74 = SPORT UTILITY 4-DR

ENGINE  
EKG = 3.7L V6 Engine  
ENR = 2.8L 4 Cyl Turbo Diesel Engine  
ENJ = 2.5L 4 Cyl 16V Turbo Diesel Engine  
ED1 = 2.4L 4 Cyl DOHC 16v SMPI Engine

TRANSMISSION  
DG6 = 4-Spd. Automatic 42RLE Transmission  
DGV = 4-Spd. Automatic VLP Transmission  
DGQ = 5-Spd Automatic 5-45RFE Transmission  
DEH = 6-Speed Manual NSG370 Transmission  
DDD = 5-Speed HD Manual Transmission  
DDK = 5-Speed HD Manual Transmission

AR = use ase required    - = Non illustrated part

**Wiring Kit - Trailer Tow - 7 Way**  
**Figure 1-265**



ITEM	PART NUMBER	QTY	LINE	SERIES	BODY	ENGINE	TRANS	TRIM	DESCRIPTION
1	82207248	1							WIRING PACKAGE, Trailer Tow
2	56038366AB	1							CONNECTOR, 7 Way
3	00154633	1							SCREW, .164-18x.625
4	04641780	1							STRAP, Tie
5	06016155	1							STRAP, Tie
6	06016155	1							WIRING, Trailer Tow, (NOT SERVICED)
7	56007290	1							BREAKER, Circuit
8	04671168	1							RELAY, Mini

**LIBERTY (KJ)**

SERIES      LINE  
H = HIGHLINE    T = JEEP - 2WD  
M = MEDIUM     J = JEEP - 4WD  
P = PREMIUM    U = JEEP - 4WD (RHD)

BODY  
74 = SPORT UTILITY 4-DR

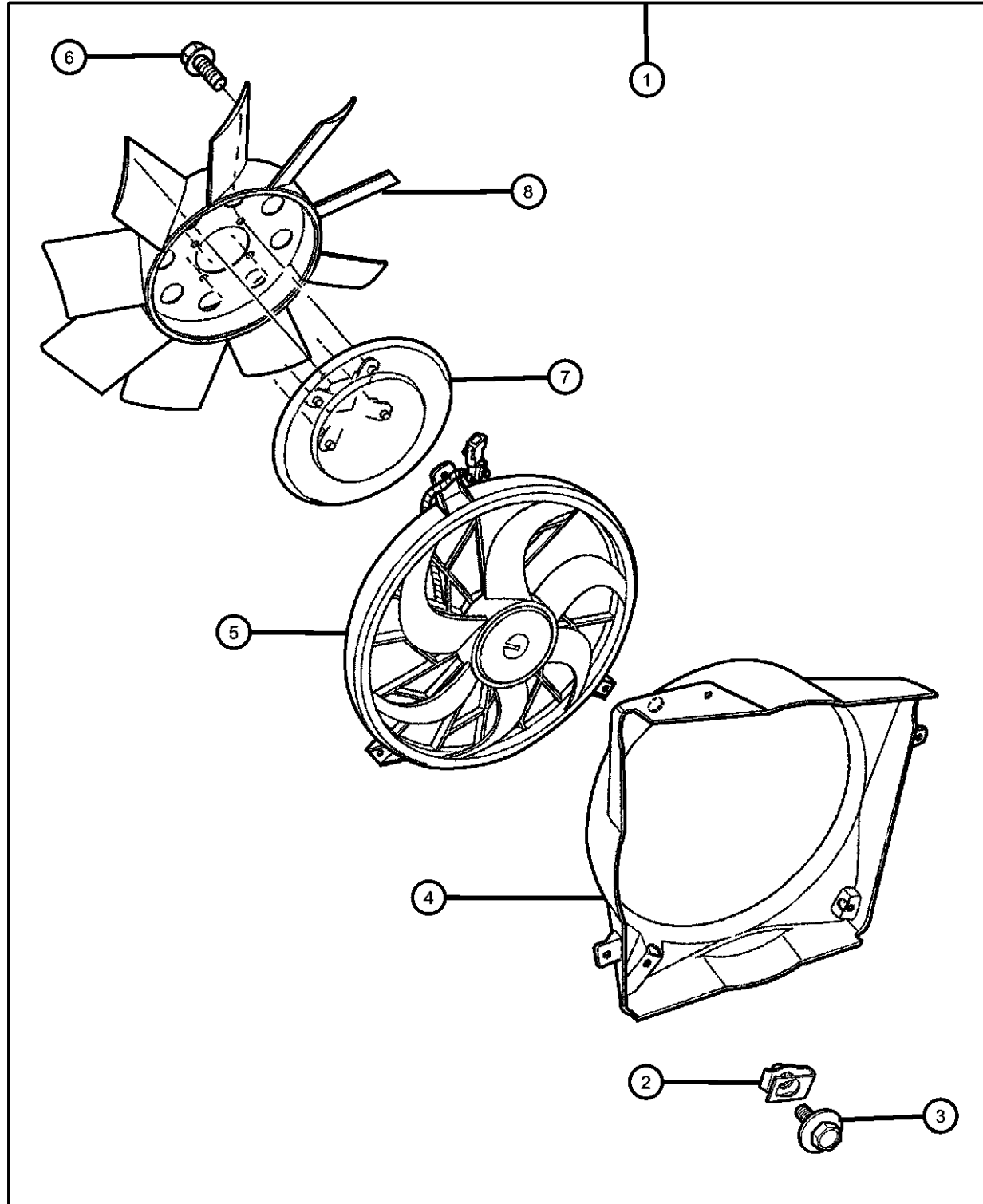
ENGINE  
EKG = 3.7L V6 Engine  
ENR = 2.8L 4 Cyl Turbo Diesel Engine  
ENJ = 2.5L 4 Cyl 16V Turbo Diesel Engine  
ED1 = 2.4L 4 Cyl DOHC 16v SMPI Engine

TRANSMISSION  
DG6 = 4-Spd. Automatic 42RLE Transmission  
DGV = 4-Spd. Automatic VLP Transmission  
DGQ = 5-Spd Automatic 5-45RFE Transmission  
DEH = 6-Speed Manual NSG370 Transmission  
DDD = 5-Speed HD Manual Transmission  
DDK = 5-Speed HD Manual Transmission

AR = use ase required - = Non illustrated part



Fan Kit - Engine  
Figure 1-270



ITEM	PART NUMBER	QTY	LINE	SERIES	BODY	ENGINE	TRANS	TRIM	DESCRIPTION
1	82206937	1			74				FAN KIT, Cooling Heavy Duty
2	06505172AA	1			74				U-NUT, M6x1.00
3	06102117AA	1			74				SCREW AND WASHER, Hex Head, M6x1x20
4	52080127AA	1			74				SHROUD, Fan
5	55037691AA	1			74				FAN, Cooling
6	06034860	1			74				BOLT AND WASHER, Implement Attaching
7	52079718AD	1			74				DRIVE, Fan
8	52079654AD	1			74				FAN, Cooling

LIBERTY (KJ)

SERIES      LINE  
H = HIGHLINE    T = JEEP - 2WD  
M = MEDIUM     J = JEEP - 4WD  
P = PREMIUM    U = JEEP - 4WD (RHD)

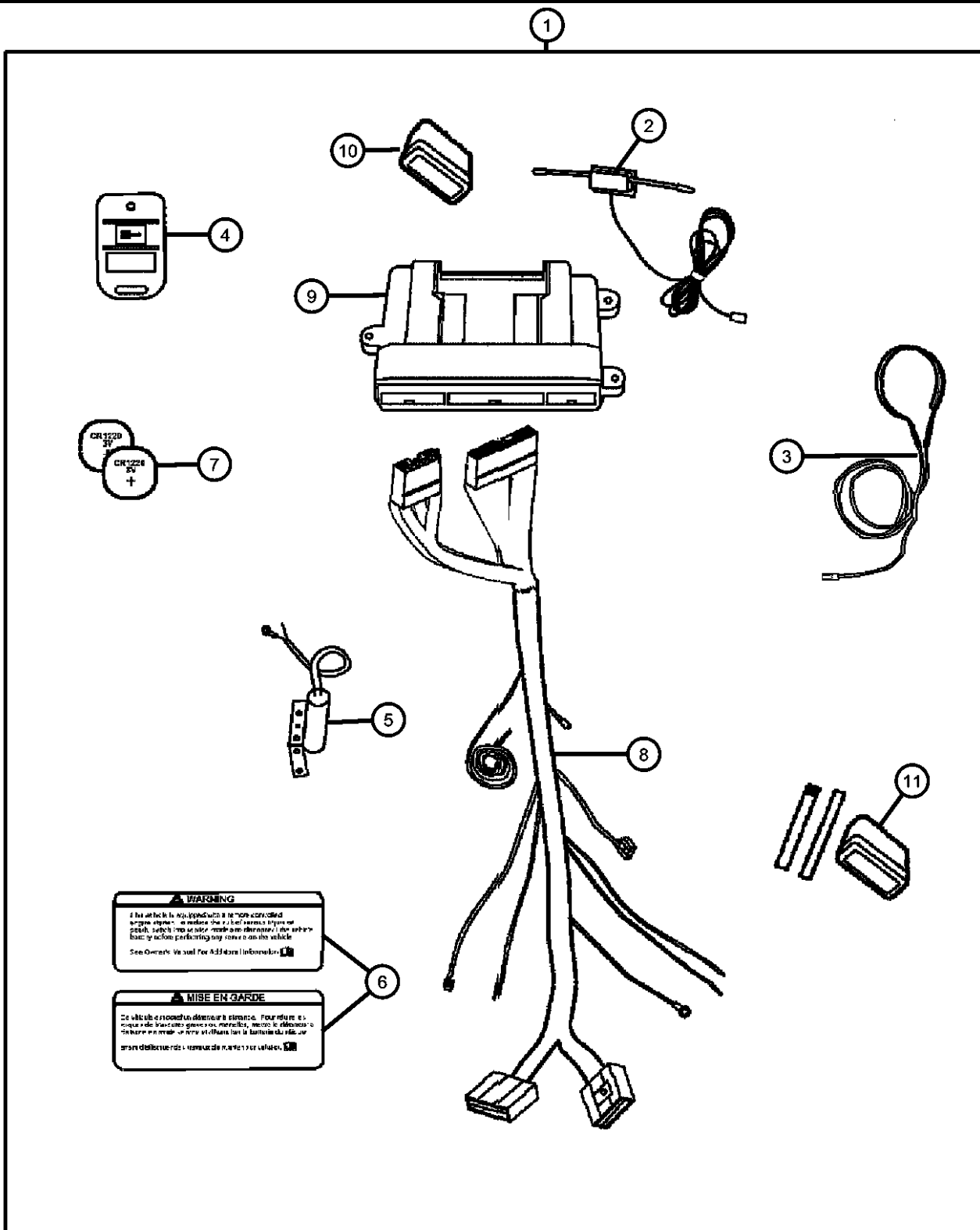
BODY  
74 = SPORT UTILITY 4-DR

ENGINE      TRANSMISSION  
EKG = 3.7L V6 Engine      DG6 = 4-Spd. Automatic 42RLE  
ENR = 2.8L 4 Cyl Turbo Diesel Engine      DGV = 4-Spd. Automatic VLP  
ENJ = 2.5L 4 Cyl 16V Turbo Diesel Engine      DGQ = 5-Spd Automatic 5-45RFE  
ED1 = 2.4L 4 Cyl DOHC 16v SMPI Engine      DEH = 6-Speed Manual NSG370  
Transmission  
DDD = 5-Speed HD Manual Transmission  
DDK = 5-Speed HD Manual Transmission

AR = use ase required - = Non illustrated part

2006 KJ

Remote Start - Installation Kit  
Figure 1-310



ITEM	PART NUMBER	QTY	LINE	SERIES	BODY	ENGINE	TRANS	TRIM	DESCRIPTION
1	82208998AB	1							INSTALL KIT, REMOTE START
2	05140470AA	1							ANTENNA
3	05140471AA	1							ANTENNA
4	05140472AA	1							TRANSMITTER
5	05140473AA	1							SWITCH
6	05140474AA	1							LABEL
7	05140773AA	1							BATTERY, Transmitter, 12 Per Package
8	05179438AA	1							HARNESS, Wiring
9	82208859AB	1							MODULE KIT, REMOTE START
10	05140466AA	1							MODULE, Remote Start
11	05140468AA	1							MODULE

**WARNING**  
 If the vehicle is equipped with a remote-controlled engine system, to ensure the proper operation of the system, refer to the vehicle's manual for information on the correct location for installing any remote on the vehicle.  
 See Owner's Manual For Address Information.

**MISE EN GARDE**  
 Ce véhicule est équipé d'un démarreur à distance. Pour assurer le bon fonctionnement de ce système, consultez le manuel du propriétaire pour connaître les informations relatives à l'installation correcte de tout appareil de télécommande sur le véhicule.

LIBERTY (KJ)

SERIES      LINE  
 H = HIGHLINE    T = JEEP - 2WD  
 M = MEDIUM     J = JEEP - 4WD  
 P = PREMIUM    U = JEEP - 4WD (RHD)

BODY  
 74 = SPORT UTILITY 4-DR

ENGINE  
 EKG = 3.7L V6 Engine  
 ENR = 2.8L 4 Cyl Turbo Diesel Engine  
 ENJ = 2.5L 4 Cyl 16V Turbo Diesel Engine  
 ED1 = 2.4L 4 Cyl DOHC 16v SMPI Engine

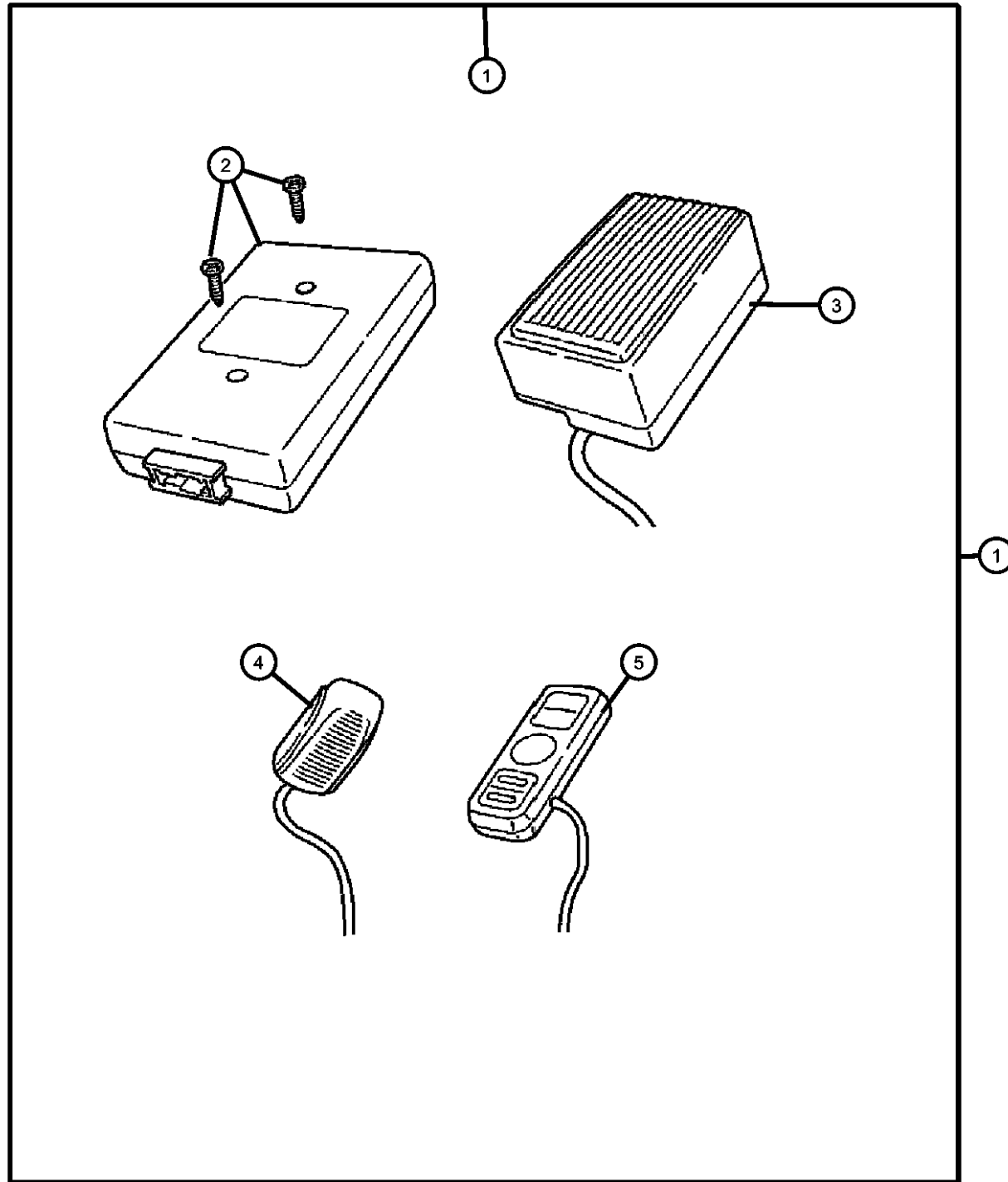
TRANSMISSION  
 DG6 = 4-Spd. Automatic 42RLE Transmission  
 DGV = 4-Spd. Automatic VLP Transmission  
 DGQ = 5-Spd Automatic 5-45RFE Transmission  
 DEH = 6-Speed Manual NSG370 Transmission  
 DDD = 5-Speed HD Manual Transmission  
 DDK = 5-Speed HD Manual Transmission

AR = use ase required - = Non illustrated part

2006 KJ

**Hands Free Kit/Cellular Phone Blue Tooth  
Figure 1-320**

ITEM	PART NUMBER	QTY	LINE	SERIES	BODY	ENGINE	TRANS	TRIM	DESCRIPTION
------	-------------	-----	------	--------	------	--------	-------	------	-------------



Note: For Warranty Repair On Item 2, Order Using Z Prefix

1	82207853AE	1							HANDS FREE KIT, Cellular Phone
2	05114359AD	1							MODULE, U Connect
3	05102026AA	1							SPEAKER, Front
4	05102025AA	1							MICROPHONE, Audio
5	05102027AA	1							CONTROLLER, Audio

**LIBERTY (KJ)**

SERIES	LINE
H = HIGHLINE	T = JEEP - 2WD
M = MEDIUM	J = JEEP - 4WD
P = PREMIUM	U = JEEP - 4WD (RHD)

BODY
74 = SPORT UTILITY 4-DR

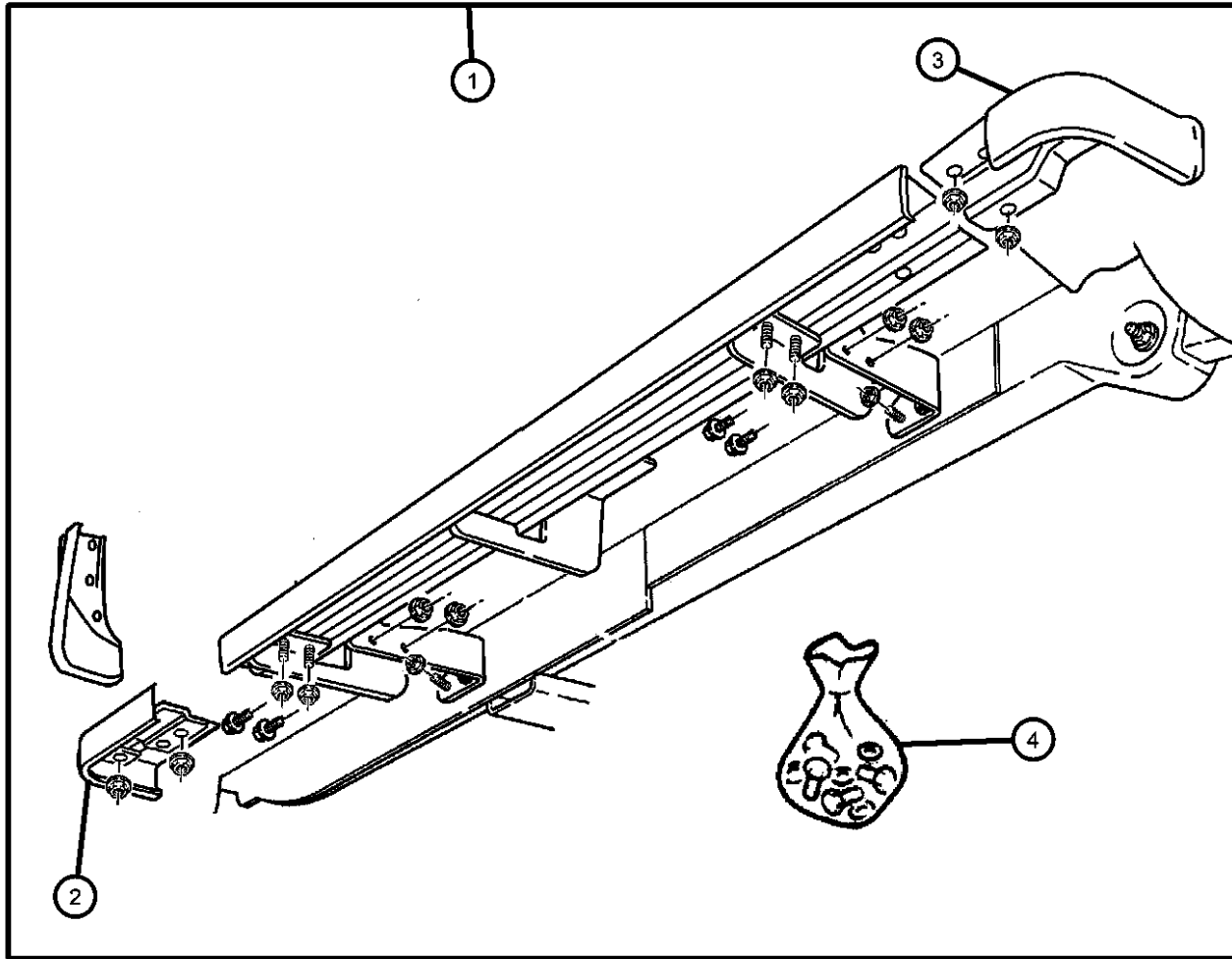
ENGINE	TRANSMISSION
EKG = 3.7L V6 Engine	DG6 = 4-Spd. Automatic 42RLE
ENR = 2.8L 4 Cyl Turbo Diesel Engine	Transmission
ENJ = 2.5L 4 Cyl 16V Turbo Diesel Engine	DGV = 4-Spd. Automatic VLP
ED1 = 2.4L 4 Cyl DOHC 16v SMPI Engine	Transmission
	DGQ = 5-Spd Automatic 5-45RFE
	Transmission
	DEH = 6-Speed Manual NSG370
	Transmission
	DDD = 5-Speed HD Manual
	Transmission
	DDK = 5-Speed HD Manual
	Transmission

AR = use ase required - = Non illustrated part

2006 KJ

Running Board Kit  
Figure 1-410

ITEM	PART NUMBER	QTY	LINE	SERIES	BODY	ENGINE	TRANS	TRIM	DESCRIPTION
1									RUNNING BOARD KIT, Full
	82207679	1							Primed
	82207680	1							Black [DX8]
	82207681	1			74				Flame Red [PR4]
	82207682	1							Stone White [SW1]
	82207683	1							Patriot Blue [WB7]
	82207685	1							Bright Silver [WS2]
	82207687	1			74				Shale Green [XGR]
	82207690	1							Gray, Matches Cladding
	82209251	1			74				Atlantic Blue [PBJ]
	82209252	1			74				Lt Khaki Metallic [PJC]
2									END CAP, Running Board, Unpainted
	05086043AA	1							Front Left
	05086045AA	1							Front Right
3									END CAP, Running Board, Unpainted
	05086044AA	1							Left Rear
	05086046AA	1							Right Rear
4	05083937AA	1							SCREW PACKAGE, Screw



LIBERTY (KJ)

SERIES      LINE  
H = HIGHLINE    T = JEEP - 2WD  
M = MEDIUM     J = JEEP - 4WD  
P = PREMIUM     U = JEEP - 4WD (RHD)

BODY  
74 = SPORT UTILITY 4-DR

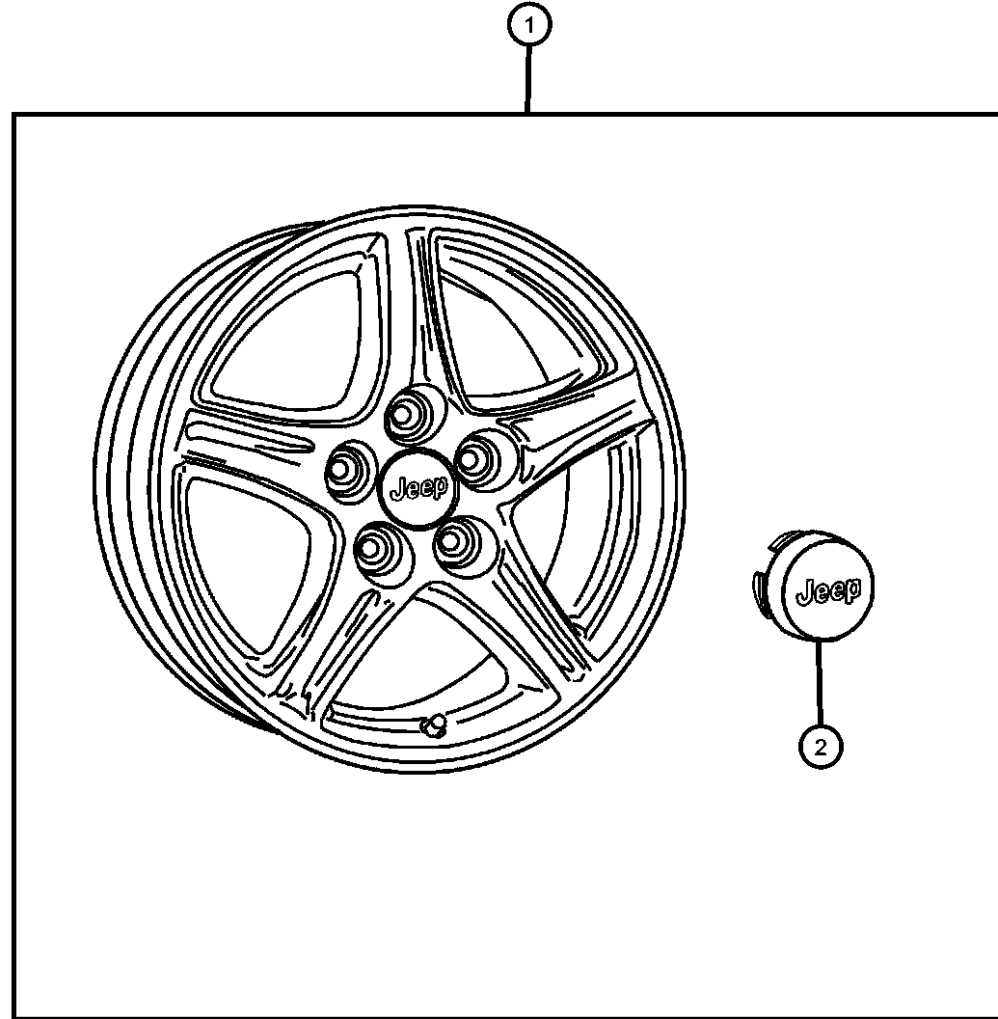
ENGINE      TRANSMISSION  
EKG = 3.7L V6 Engine      DG6 = 4-Spd. Automatic 42RLE  
ENR = 2.8L 4 Cyl Turbo Diesel Engine      DGV = 4-Spd. Automatic VLP  
ENJ = 2.5L 4 Cyl 16V Turbo Diesel Engine      DGQ = 5-Spd Automatic 5-45RFE  
ED1 = 2.4L 4 Cyl DOHC 16v SMPI Engine      DEH = 6-Speed Manual NSG370  
Transmission  
DDD = 5-Speed HD Manual Transmission  
DDK = 5-Speed HD Manual Transmission

AR = use ase required - = Non illustrated part

2006 KJ

**Wheel Kit  
Figure 1-415**

ITEM	PART NUMBER	QTY	LINE	SERIES	BODY	ENGINE	TRANS	TRIM	DESCRIPTION
Note; Item#1, Contains 1 Wheel and 1 Center Cap									
1									WHEEL KIT, Cast Aluminum
	82205580	1							Polished
	82205899	1			74				Chromed
2	05083064AA	1			74				CAP, Wheel Center



**LIBERTY (KJ)**

SERIES      LINE  
H = HIGHLINE    T = JEEP - 2WD  
M = MEDIUM     J = JEEP - 4WD  
P = PREMIUM    U = JEEP - 4WD (RHD)

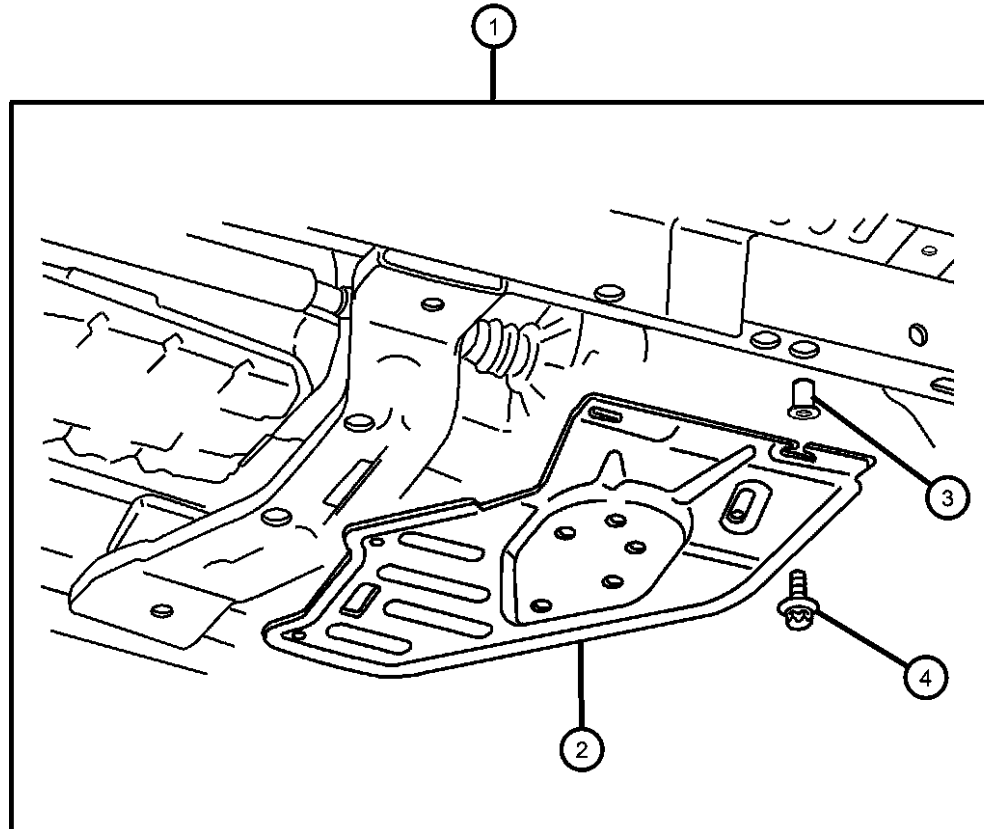
BODY  
74 = SPORT UTILITY 4-DR

ENGINE      TRANSMISSION  
EKG = 3.7L V6 Engine      DG6 = 4-Spd. Automatic 42RLE  
ENR = 2.8L 4 Cyl Turbo Diesel      Transmission  
Engine      DGV = 4-Spd. Automatic VLP  
ENJ = 2.5L 4 Cyl 16V Turbo      Transmission  
Diesel Engine      DGQ = 5-Spd Automatic 5-45RFE  
ED1 = 2.4L 4 Cyl DOHC 16v      Transmission  
SMPI Engine      DEH = 6-Speed Manual NSG370  
Transmission  
DDD = 5-Speed HD Manual  
Transmission  
DDK = 5-Speed HD Manual  
Transmission

AR = use ase required - = Non illustrated part

**Skid Plate - Transfer Case**  
**Figure 1-510**

ITEM	PART NUMBER	QTY	LINE	SERIES	BODY	ENGINE	TRANS	TRIM	DESCRIPTION
1	82209455	1			74				PLATE PACKAGE, Skid - Transfer Case
2	52129091AA	1			74				PLATE, Transfer Case Skid
3	06505294AA	1			74				RIVET
4	06503571	1			74				SCREW AND WASHER, M10x1.50x35
-5	05013886AA	1							TOOL, Rivnut



**LIBERTY (KJ)**

SERIES	LINE
H = HIGHLINE	T = JEEP - 2WD
M = MEDIUM	J = JEEP - 4WD
P = PREMIUM	U = JEEP - 4WD (RHD)

BODY  
74 = SPORT UTILITY 4-DR

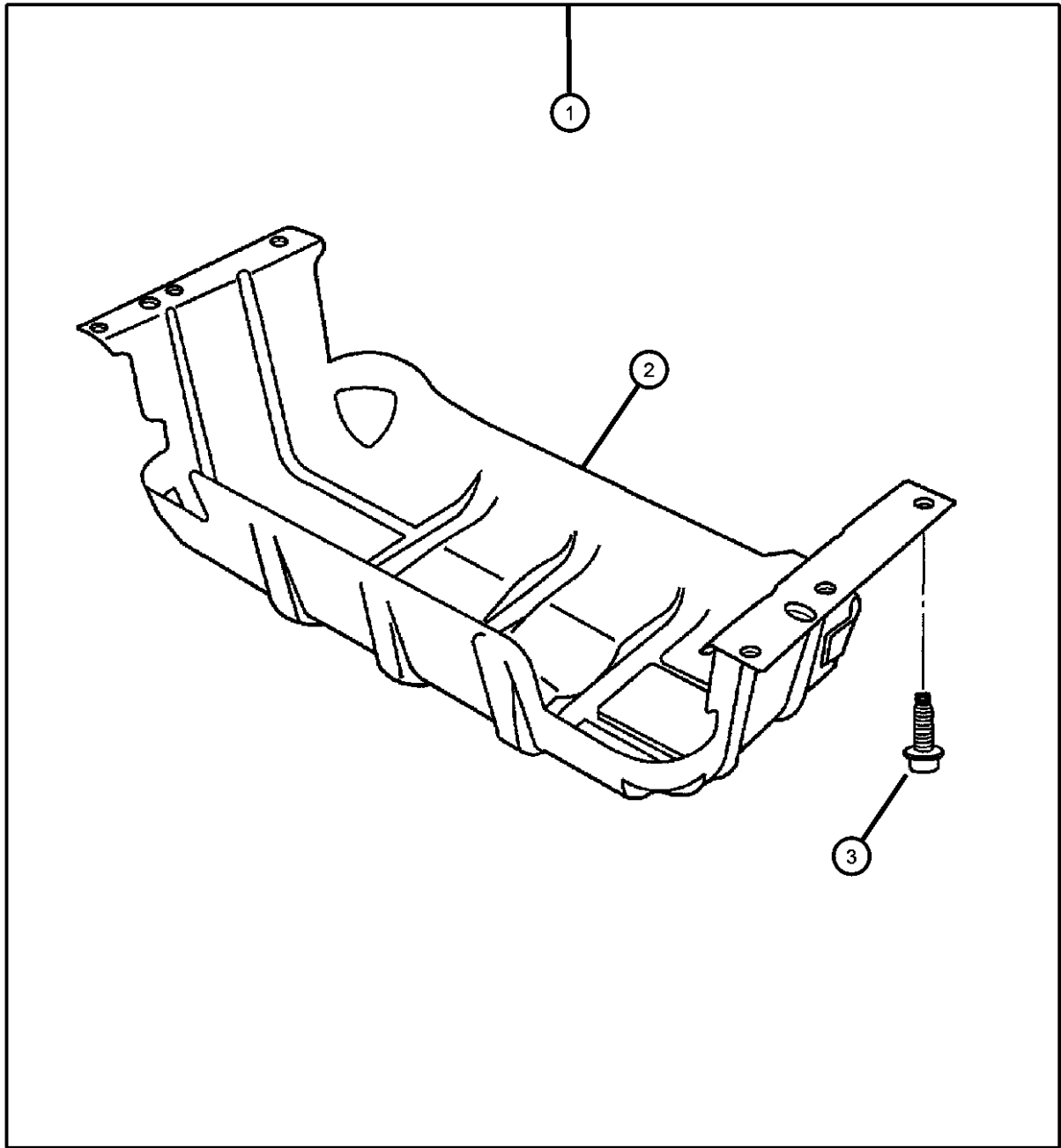
ENGINE	TRANSMISSION
EKG = 3.7L V6 Engine	DG6 = 4-Spd. Automatic 42RLE
ENR = 2.8L 4 Cyl Turbo Diesel Engine	Transmission
ENJ = 2.5L 4 Cyl 16V Turbo Diesel Engine	DGV = 4-Spd. Automatic VLP
ED1 = 2.4L 4 Cyl DOHC 16v SMPI Engine	Transmission
	DGQ = 5-Spd Automatic 5-45RFE
	Transmission
	DEH = 6-Speed Manual NSG370
	Transmission
	DDD = 5-Speed HD Manual
	Transmission
	DDK = 5-Speed HD Manual
	Transmission

AR = use ase required - = Non illustrated part

2006 KJ

**Skid Plate - Fuel Tank  
Figure 1-515**

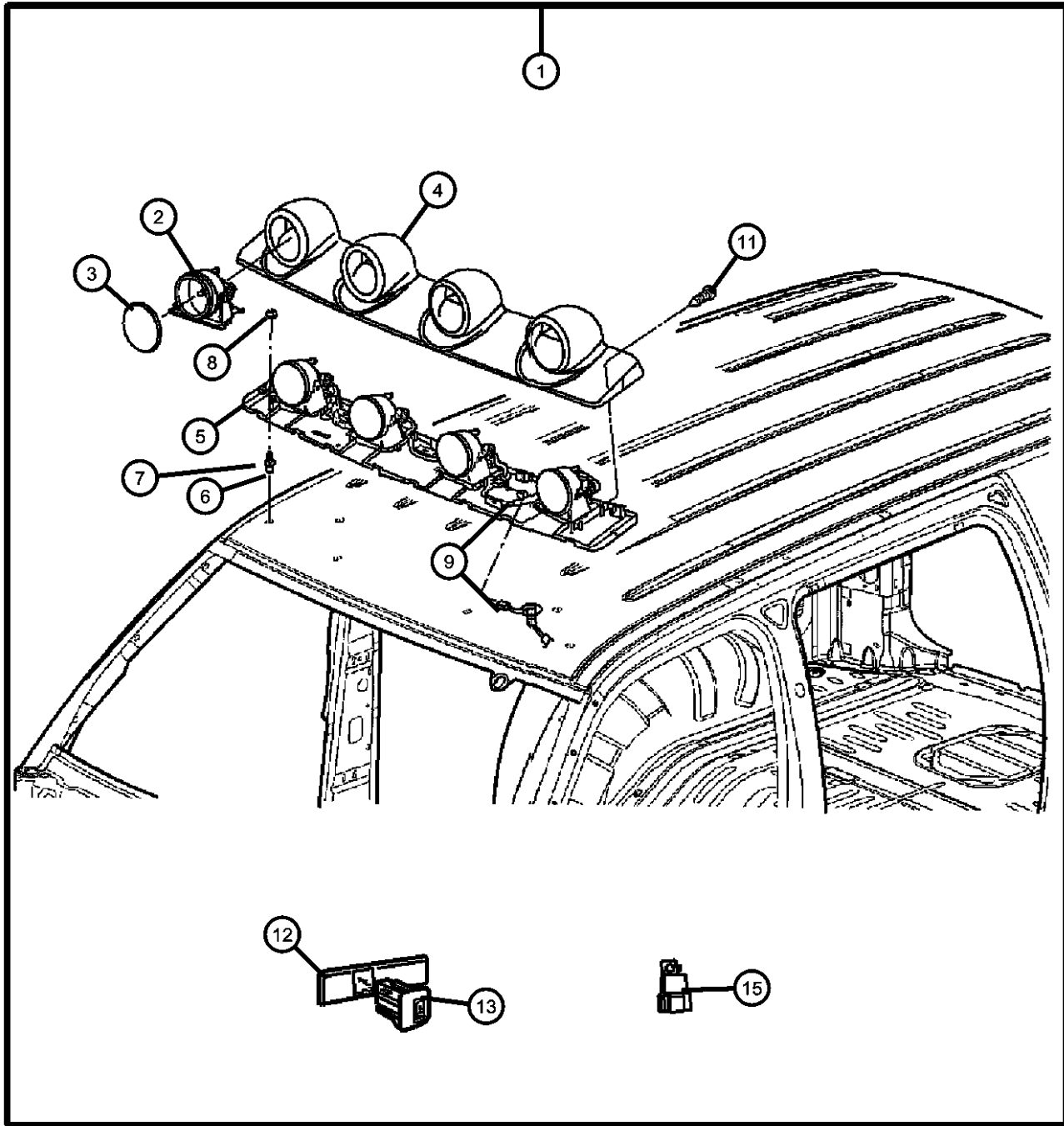
ITEM	PART NUMBER	QTY	LINE	SERIES	BODY	ENGINE	TRANS	TRIM	DESCRIPTION
1	82206122	1			74				SKID PLATE PACKAGE, Fuel Tank
2	52100332AH	1							PLATE, Skid
3	06502557	6							BOLT, Hex Flange Head, M12x1.75x40



<b>LIBERTY (KJ)</b>				
SERIES	LINE	BODY	ENGINE	TRANSMISSION
H = HIGHLINE	T = JEEP - 2WD	74 = SPORT UTILITY 4-DR	EKG = 3.7L V6 Engine	DG6 = 4-Spd. Automatic 42RLE
M = MEDIUM	J = JEEP - 4WD		ENR = 2.8L 4 Cyl Turbo Diesel Engine	Transmission
P = PREMIUM	U = JEEP - 4WD (RHD)		ENJ = 2.5L 4 Cyl 16V Turbo Diesel Engine	DGV = 4-Spd. Automatic VLP
			ED1 = 2.4L 4 Cyl DOHC 16v SMPI Engine	Transmission
				DGQ = 5-Spd Automatic 5-45RFE
				Transmission
				DEH = 6-Speed Manual NSG370
				Transmission
				DDD = 5-Speed HD Manual
				Transmission
				DDK = 5-Speed HD Manual
				Transmission

AR = use ase required - = Non illustrated part

Light Bar Roof  
Figure 1-615



ITEM	PART NUMBER	QTY	LINE	SERIES	BODY	ENGINE	TRANS	TRIM	DESCRIPTION
1	82206126AB	1			74				BAR KIT, Light
2	52112063AC	4							LAMP, Off Road
3	5HZ07RXFAF	4							COVER, Lamp
4	5HZ01RXFAH	1							COVER, Light Bar Support
5	05083967AA	1							BAR, Light Support
6	06503952	1			74				SCREW, Pan Head, M6x1.0x17.00
7	06100876	1			74				WASHER, Flat, M6.82x17.00x1.75
8	06504710	1			74				NUT/RIVET, M6x1.00x13.50
9	56050301AA	1							WIRING, Roof Lamps
-10	05073039AA	1	J, U						STRAP, Tie, Bag of 50
11	06507783AA	4							SCREW, Shoulder
12									BEZEL, Instrument Panel
	5KE16XDHAA	1	J, T						[DH]
	5KE16ZJ8AA	1	J, T						[J8]
13	56010417AC	1							SWITCH, Off Road Lamp
-14	05066562AA	1			74				TOOL, Rivnut
15	05066562AA	1							RELAY, (NOT SERVICED)

LIBERTY (KJ)

SERIES      LINE  
H = HIGHLINE    T = JEEP - 2WD  
M = MEDIUM     J = JEEP - 4WD  
P = PREMIUM    U = JEEP - 4WD (RHD)

BODY  
74 = SPORT UTILITY 4-DR

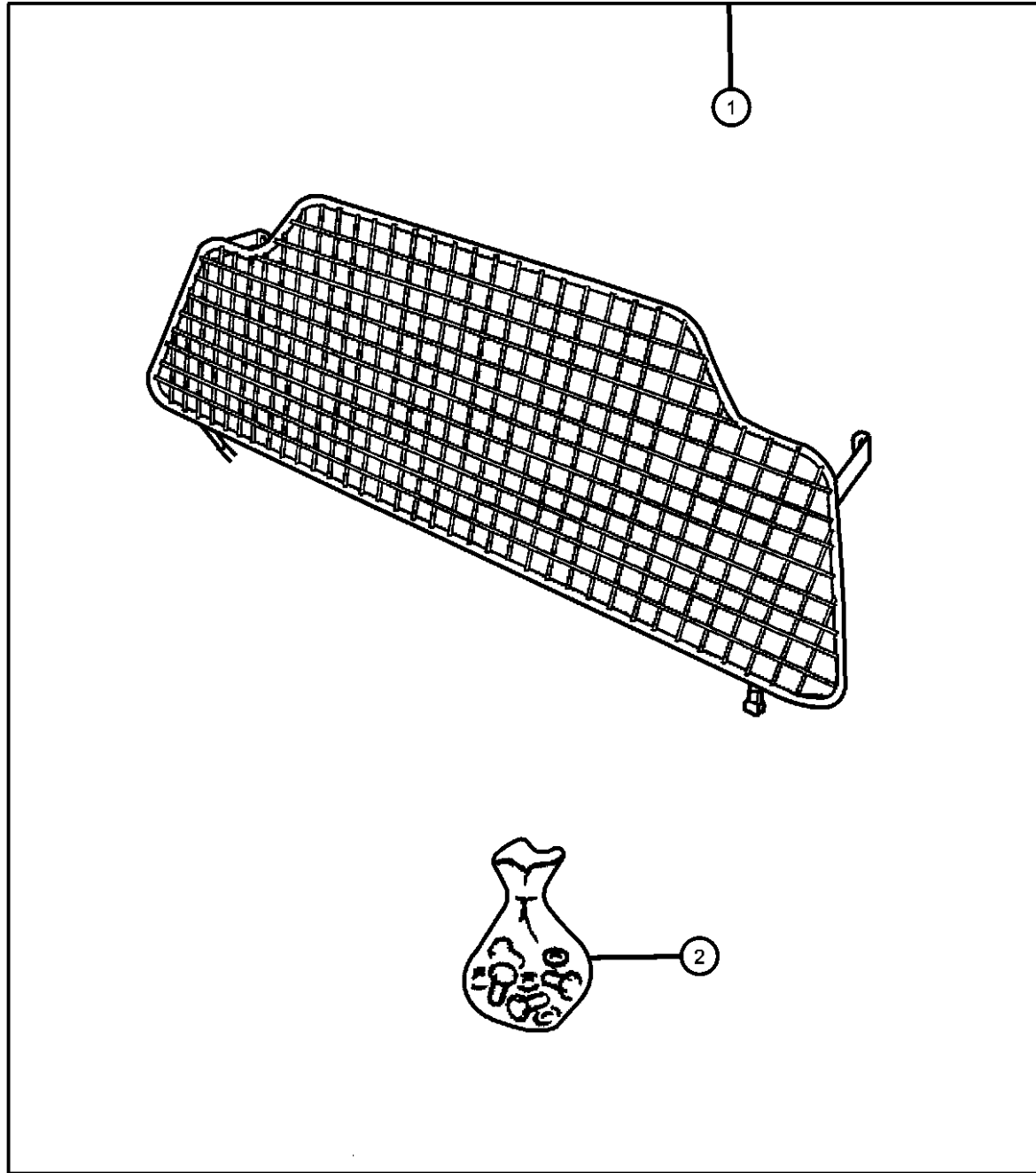
ENGINE      TRANSMISSION  
EKG = 3.7L V6 Engine      DG6 = 4-Spd. Automatic 42RLE  
ENR = 2.8L 4 Cyl Turbo Diesel Engine      DGV = 4-Spd. Automatic VLP  
ENJ = 2.5L 4 Cyl 16V Turbo Diesel Engine      DGQ = 5-Spd Automatic 5-45RFE  
ED1 = 2.4L 4 Cyl DOHC 16v SMPI Engine      DEH = 6-Speed Manual NSG370  
Transmission  
DDD = 5-Speed HD Manual Transmission  
DDK = 5-Speed HD Manual Transmission

AR = use ase required - = Non illustrated part



Guard Kit - Dog  
Figure 1-810

ITEM	PART NUMBER	QTY	LINE	SERIES	BODY	ENGINE	TRANS	TRIM	DESCRIPTION
1	82206855	1			74				GUARD KIT, Dog Guard
2	05086022AA	1			74				HARDWARE KIT, Load Partition



LIBERTY (KJ)

SERIES      LINE  
H = HIGHLINE    T = JEEP - 2WD  
M = MEDIUM     J = JEEP - 4WD  
P = PREMIUM    U = JEEP - 4WD (RHD)

BODY  
74 = SPORT UTILITY 4-DR

ENGINE  
EKG = 3.7L V6 Engine  
ENR = 2.8L 4 Cyl Turbo Diesel Engine  
ENJ = 2.5L 4 Cyl 16V Turbo Diesel Engine  
ED1 = 2.4L 4 Cyl DOHC 16v SMPI Engine

TRANSMISSION  
DG6 = 4-Spd. Automatic 42RLE Transmission  
DGV = 4-Spd. Automatic VLP Transmission  
DGQ = 5-Spd Automatic 5-45RFE Transmission  
DEH = 6-Speed Manual NSG370 Transmission  
DDD = 5-Speed HD Manual Transmission  
DDK = 5-Speed HD Manual Transmission

AR = use ase required - = Non illustrated part

2006 KJ

# Group - 2

## Front Suspension & Drive

### Group - 2 Front Suspension & Drive

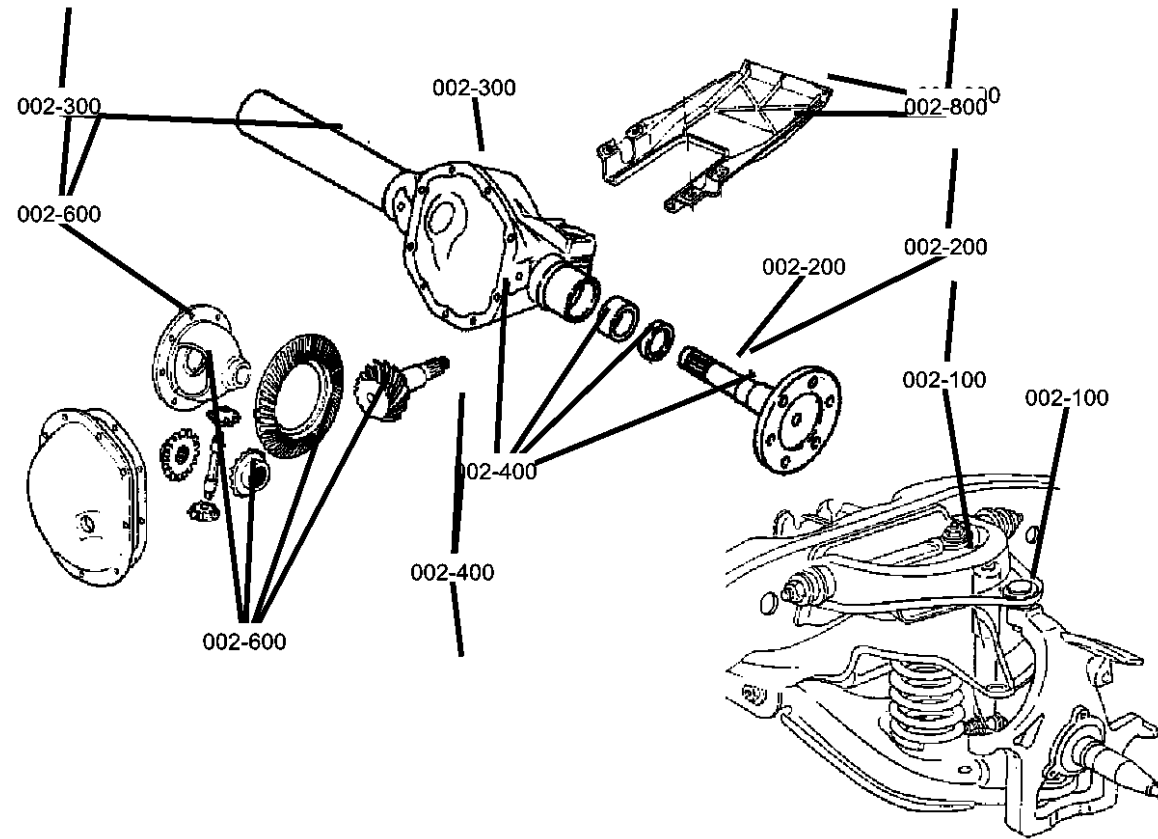


Illustration Title

Group-Fig. No.

#### Front Suspension

Suspension, Front and Strut .....	Fig. 2 - 110
Bar, Front Sway .....	Fig. 2 - 120
Cradle, Front Suspension and Attaching Parts .....	Fig. 2 - 130

#### Front Axle Drive Shafts

Axle Shafts, Front .....	Fig. 2 - 210
--------------------------	--------------

#### Front Axle Housing

Housing, Axle, Front .....	Fig. 2 - 310
----------------------------	--------------

#### Front Axle Assembly

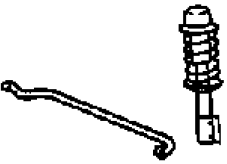
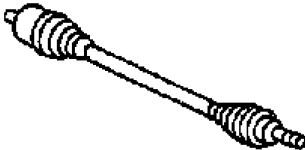
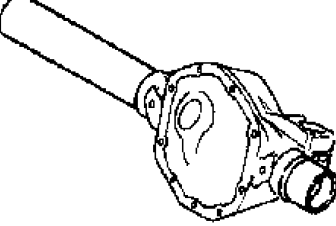
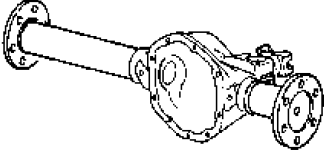
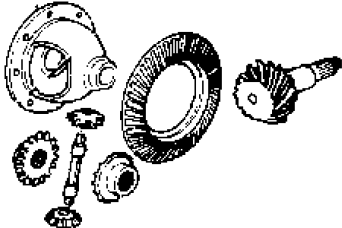
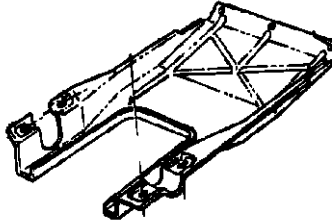
Axle Assembly, Front .....	Fig. 2 - 410
----------------------------	--------------

#### Front Axle Differential

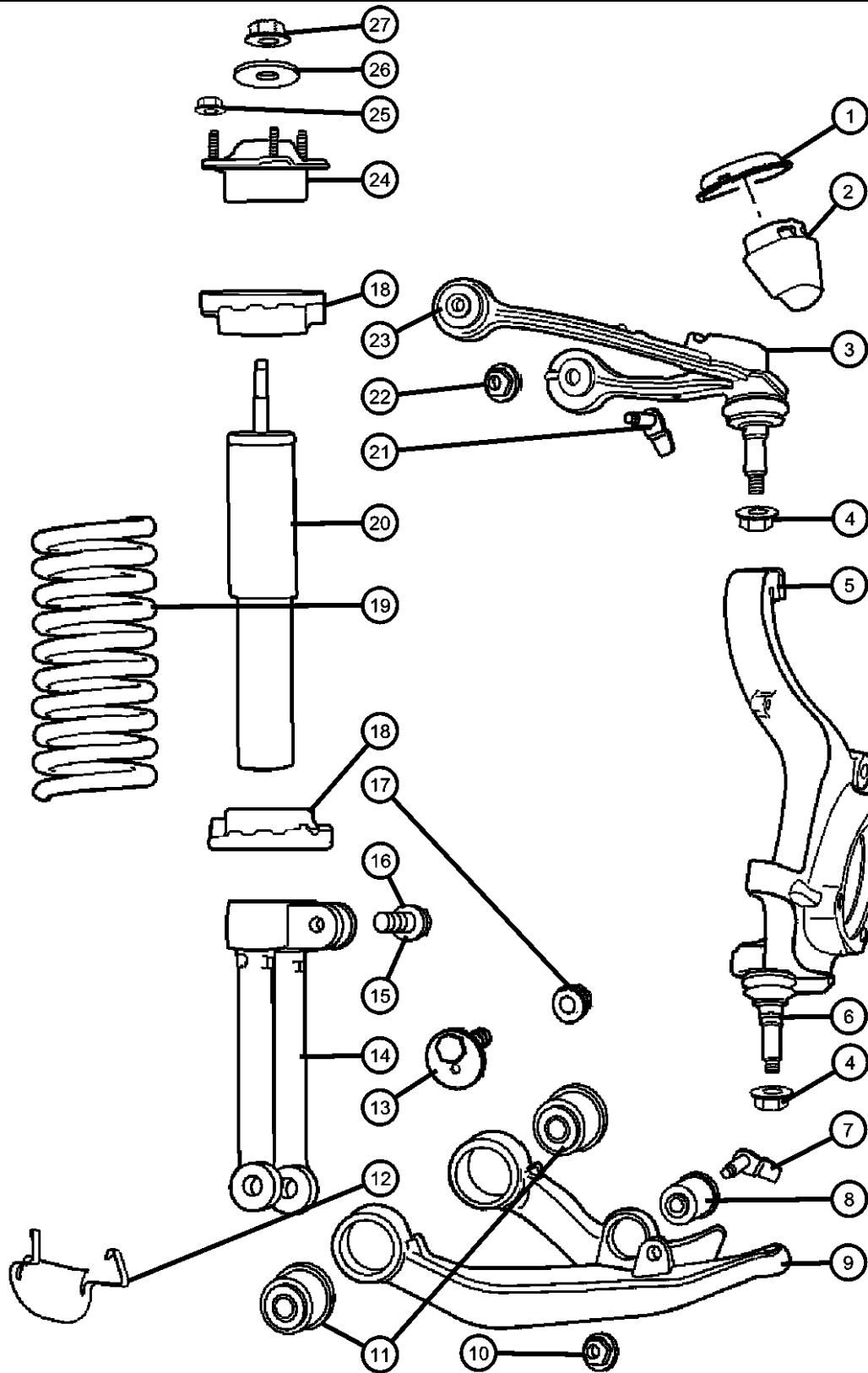
Differential, Front Axle .....	Fig. 2 - 610
--------------------------------	--------------

#### Front Axle Skid Plate

Skid Plate, Front Axle .....	Fig. 2 - 810
------------------------------	--------------

<p><b>002-100</b> Front Suspension</p> 	<p><b>002-200</b> Front Axle Drive Shafts</p> 	<p><b>002-300</b> Front Axle Housing</p> 	<p><b>002-400</b> Front Axle Assembly</p> 
<p><b>002-600</b> Front Axle Differential</p> 	<p><b>002-800</b> Front Axle Skid Plate</p> 		

Suspension,Front and Strut  
Figure 2-110



ITEM	PART NUMBER	QTY	LINE	SERIES	BODY	ENGINE	TRANS	TRIM	DESCRIPTION
------	-------------	-----	------	--------	------	--------	-------	------	-------------

Note:Sales Codes;

[ZCC] Through [ZRK] = Spring Sales Codes will Be Found On Vehicle Identification Number [VIN] Sales Code Listing

1	55360201AC	1							CUP, Jounce BumperRight or Left
2	52088684AC	2							BUMPER, JounceRight or Left
3	52088632AD	2							ARM, Control, Upper-With Bushings and Balljoint, Right or Left
4									NUT AND WASHER
	06505623AA	2							UCA to Knuckle, Mounting
		2							Lower Ball Joint to LCA, Mounting
5									KNUCKLE, Front
	52088652AD	1		J, T					Without Lower Ball Joint, Right
	52088653AD	1		J, T					Without Lower Ball Joint, Left
6	05114037AD	1		J, T					BALL JOINT PACKAGE, Lower Control ArmRight or Left
7	06507275AA	2							BOLT AND RETAINER, Hex Head, Shock Clevis to LCA, Mounting
8	52088746AA	1							BUSHING, Pivot, Shock Clevis
9									ARM, Lower Control, Front
	52088636AF	1							With 3 Bushings, Right
	52088637AF	1							With 3 Bushings, Left
10	06102251AA	2							NUT, M14X2, Shock Clevis to LCA, Mounting
11	52088649AC	2							BUSHING, Pivot
12	52128983AA	2							SHIELD, Heat, Lower Ball Joint, Right or Left
13	06507912AA	4							SCREW AND WASHER, Hex Head, LCA to Cradle Cam Bolt, Mounting
14	52088748AC	1							CLEVIS, Front, Shock, Mounting
15	06507325AA	1							SCREW, Hex Flange Head, Clevis Pinch-M14x2.00x62.00
16	06104223AA	1		J, T, U			74		BOLT, Clevis Pinch-M10x1.50x65.00
17	06102252AA	4							NUT, Hex Flange Lock, LCA to Cradle, Mounting

LIBERTY (KJ)

SERIES	LINE
H = HIGHLINE	T = JEEP - 2WD
M = MEDIUM	J = JEEP - 4WD
P = PREMIUM	U = JEEP - 4WD (RHD)

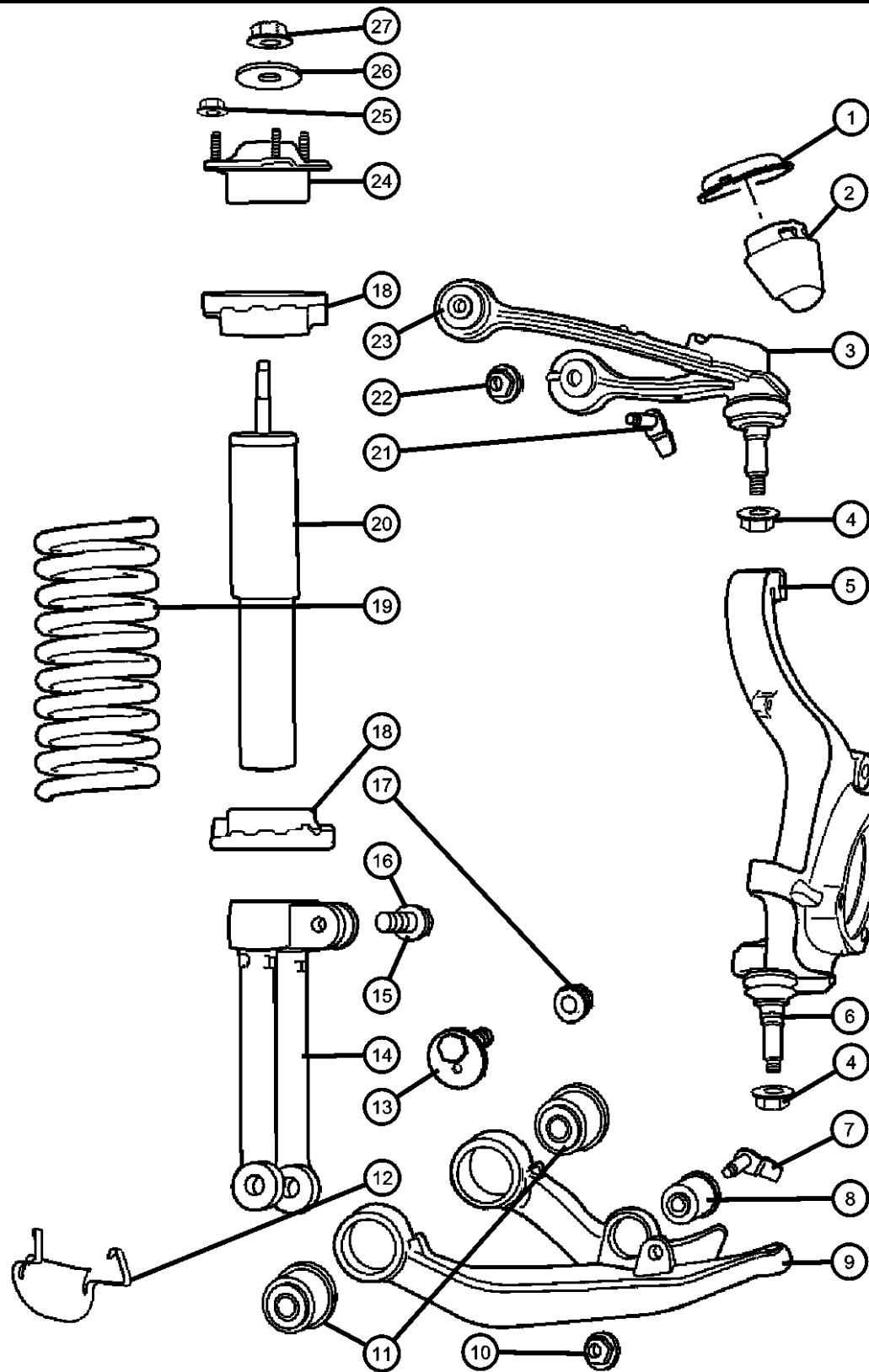
BODY
74 = SPORT UTILITY 4-DR

ENGINE	TRANSMISSION
EKG = 3.7L V6 Engine	DG6 = 4-Spd. Automatic 42RLE
ENR = 2.8L 4 Cyl Turbo Diesel Engine	Transmission
ENJ = 2.5L 4 Cyl 16V Turbo Diesel Engine	DGV = 4-Spd. Automatic VLP
ED1 = 2.4L 4 Cyl DOHC 16v SMPI Engine	Transmission
	DGQ = 5-Spd Automatic 5-45RFE
	Transmission
	DEH = 6-Speed Manual NSG370
	Transmission
	DDD = 5-Speed HD Manual
	Transmission
	DDK = 5-Speed HD Manual
	Transmission

AR = use ase required - = Non illustrated part

2006 KJ

**Suspension,Front and Strut**  
**Figure 2-110**



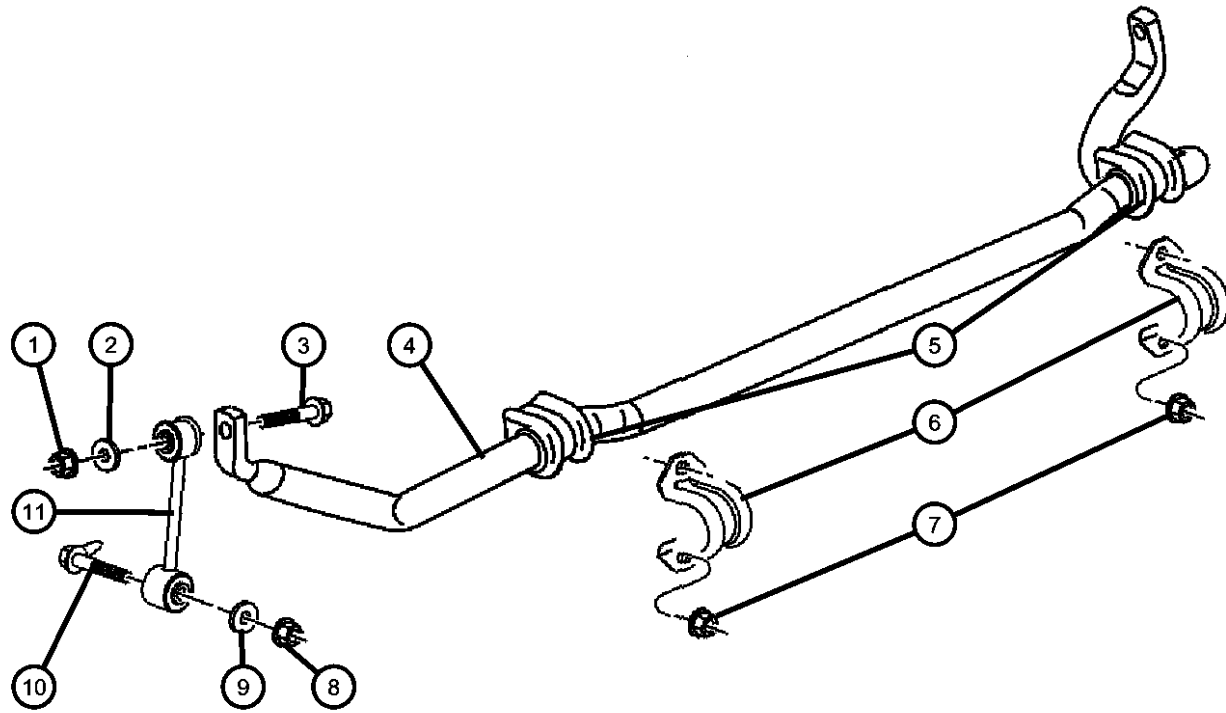
ITEM	PART NUMBER	QTY	LINE	SERIES	BODY	ENGINE	TRANS	TRIM	DESCRIPTION
18	52088686AA	2							ISOLATOR, SpringUpper or Lower
19									SPRING, Front Coil
	52128873AA	1							[ZCC,ZRC]
	52128874AA	1							[ZCD,ZRD]
	52128875AA	1							[ZCE,ZRE]
	52128876AB	1							[ZCF,ZRF]
	52128877AB	1							[ZCG,ZRG]
	52128878AB	1							[ZCH,ZRH]
	52128879AB	1							[ZCJ,ZRJ]
	52128880AA	1							[ZCK,ZRK]
20	52088650AF	1							SHOCK ABSORBER, Suspension, Front
	0SG81577								Mopar V-Line Alternative Part
21	06507965AA	4							BOLT AND RETAINER, Hex Head, UCA, Mounting
22	06502697	4							NUT, Hex Flange Lock, M12x1.75, UCA, Mounting
23	52088634AB	2							BUSHING, Control ArmUpper
24									MOUNT, Shock Upper
	52128532AA	1							Right
	52128533AA	1							Left
25	06502697	8							NUT, Hex Flange Lock, M12x1.75, Shock Mount to Body, Mounting
26	52089069AA	1							RETAINER, Shock Absorber, Shock, Mounting
27	06506443AA	1							NUT, Nylock Hex, M10x1.5, Shock, Mounting

<b>LIBERTY (KJ)</b>				
SERIES	LINE	BODY	ENGINE	TRANSMISSION
H = HIGHLINE	T = JEEP - 2WD	74 = SPORT UTILITY 4-DR	EKG = 3.7L V6 Engine	DG6 = 4-Spd. Automatic 42RLE
M = MEDIUM	J = JEEP - 4WD		ENR = 2.8L 4 Cyl Turbo Diesel Engine	Transmission
P = PREMIUM	U = JEEP - 4WD (RHD)		ENJ = 2.5L 4 Cyl 16V Turbo Diesel Engine	DGV = 4-Spd. Automatic VLP
			ED1 = 2.4L 4 Cyl DOHC 16v SMPI Engine	Transmission
				DGQ = 5-Spd Automatic 5-45RFE
				Transmission
				DEH = 6-Speed Manual NSG370
				Transmission
				DDD = 5-Speed HD Manual
				Transmission
				DDK = 5-Speed HD Manual
				Transmission

AR = use ase required - = Non illustrated part

Bar,Front Sway  
Figure 2-120

ITEM	PART NUMBER	QTY	LINE	SERIES	BODY	ENGINE	TRANS	TRIM	DESCRIPTION
1	06502697	2							NUT, Hex Flange Lock, M12x1.75, Sway Bar Link to Sway Bar
2	06504558	2							WASHER, ID=13.07 x OD=40.00 x THK=3.50 Sway Bar Link to Sway Bar, Sway Bar Link to Sway Bar, Mounting
3	06503712	2							SCREW, Sway Bar Link to Sway Bar, Mounting
4	52088660AA	1							BAR, Front Sway
5	52088778AB	2							CUSHION, Sway Eliminator
6	52088631AA	2							RETAINER, Stabilizer Bar Grommet
7	06502697	4							NUT, Hex Flange Lock, M12x1.75, Sway Bar Clamp to Cradle, Mounting
8	06502697	2							NUT, Hex Flange Lock, M12x1.75, Sway Bar Link to LCA, Mounting
9	06504558	2							WASHER, ID=13.07 x OD=40.00 x THK=3.50 Sway Bar Link to Lower Control Arm, Link to LCA, Mounting
10	06506984AA	2							BOLT AND RETAINER, Hex Head, Sway Bar Link to LCA, Mounting
11	52088662AB	2							LINK, Sway Eliminator



LIBERTY (KJ)

SERIES LINE  
H = HIGHLINE T = JEEP - 2WD  
M = MEDIUM J = JEEP - 4WD  
P = PREMIUM U = JEEP - 4WD (RHD)

BODY  
74 = SPORT UTILITY 4-DR

ENGINE TRANSMISSION  
EKG = 3.7L V6 Engine DG6 = 4-Spd. Automatic 42RLE  
ENR = 2.8L 4 Cyl Turbo Diesel Engine Transmission  
ENJ = 2.5L 4 Cyl 16V Turbo Diesel Engine DGV = 4-Spd. Automatic VLP  
ED1 = 2.4L 4 Cyl DOHC 16v SMPI Engine Transmission  
DGQ = 5-Spd Automatic 5-45RFE  
DEH = 6-Speed Manual NSG370  
Transmission  
DDD = 5-Speed HD Manual  
Transmission  
DDK = 5-Speed HD Manual  
Transmission

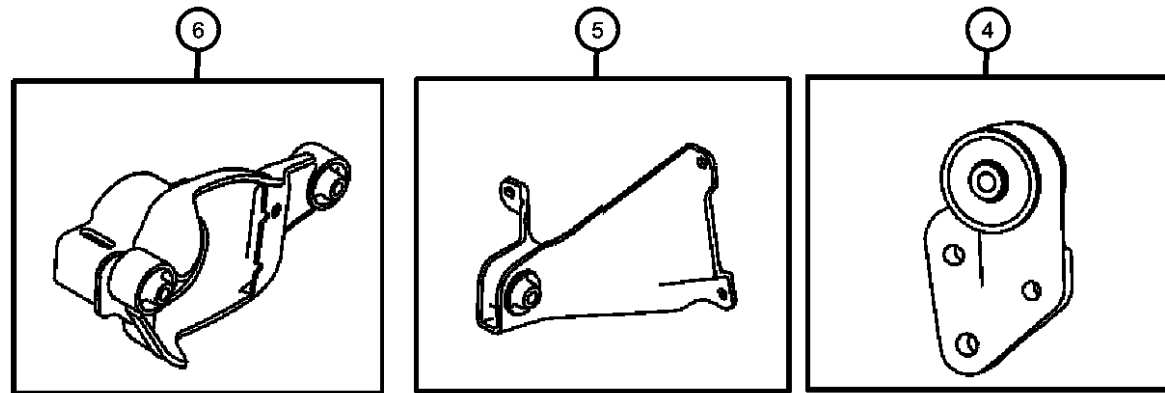
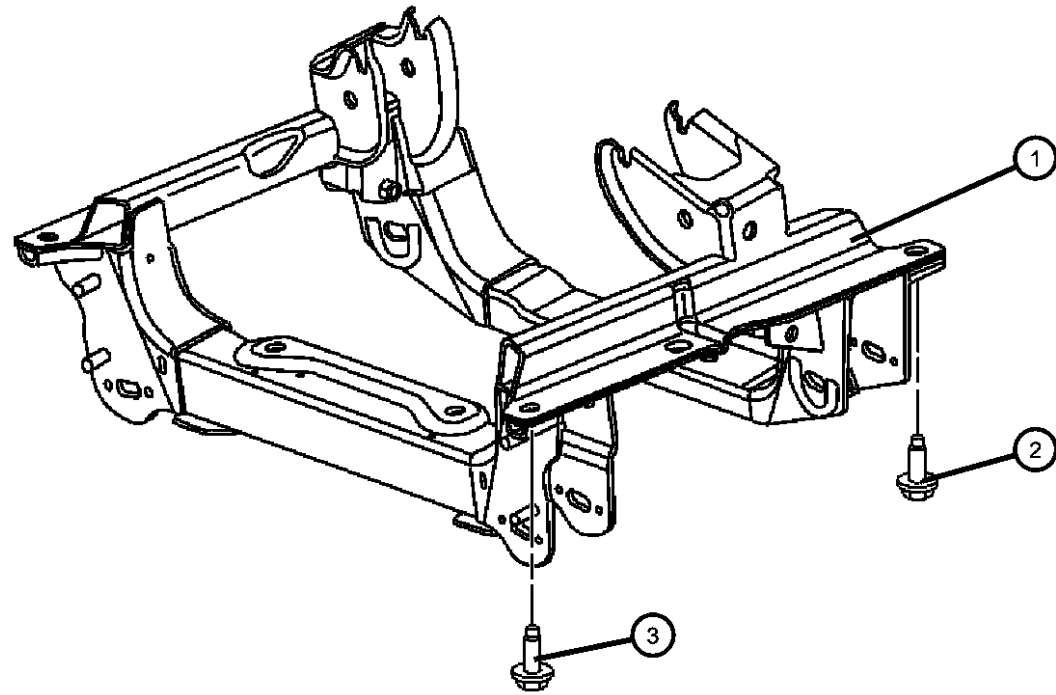
AR = use ase required - = Non illustrated part

2006 KJ

**Cradle,Front Suspension and Attaching Parts**  
**Figure 2-130**

ITEM	PART NUMBER	QTY	LINE	SERIES	BODY	ENGINE	TRANS	TRIM	DESCRIPTION
------	-------------	-----	------	--------	------	--------	-------	------	-------------

Note:Sales Codes;  
[EK0]=Engines - All 3.7L 6 Cylinder Gas  
[EN0]=Engines - All 4/5 Cylinder Turbo Diesel



1	52128994AE	1							CRADLE, Front Suspension [EK0]
	52129013AE	1	J, U						[EN0]
2	06506672AA	2							SCREW AND WASHER, Hex, Cradle to Sill-Front, Mounting
3	06507135AA	2							SCREW, Cradle to Sill-Rear, Mounting
4	52059467AD	1	J, U						BRACKET, Mounting [EK0], Left Rear
	52059475AD	1	J, U						[EN0], Left Rear
5	52059465AD	1	J, U						BRACKET, Mounting [EK0], Left
	52059473AD	1	J, U						[EN0], Left
6	52059464AD	1	J, U						BRACKET, Mounting [EK0], Right
	52059472AC	1	J, U						[EN0], Right
-7	06505826AA	2	J, U						BOLT [EK0] Right Front Bracket to Axle, Mounting
	06506067AA	4	J, U						[EK0] Axle Assembly to Cradle, Mounting
		4	J, U						[EN0] Axle Assembly to Cradle, Mounting
		2	J, U						[EN0] Right Front Bracket to Axle-M12-1.75, Mounting
-8	06508813AA	2	J, U		74				BOLT, [EN0] Right Front Bracket to Axle-M10-1.50, Mounting
-9	06502696	2	J, U						NUT, Hex Flange Lock, M14x1.50, [EK0] Right Bracket, Mounting
-10	06508774AA	2	J, U		74				NUT, [EN0] Right Bracket-M10- 1.50, Mounting
-11	06502835	2	J, U						NUT, Hex Flange, M12x1.75 [EK0] Axle Assembly to Cradle, Mounting

**LIBERTY (KJ)**

SERIES      LINE  
H = HIGHLINE    T = JEEP - 2WD  
M = MEDIUM      J = JEEP - 4WD  
P = PREMIUM      U = JEEP - 4WD (RHD)

BODY  
74 = SPORT UTILITY 4-DR

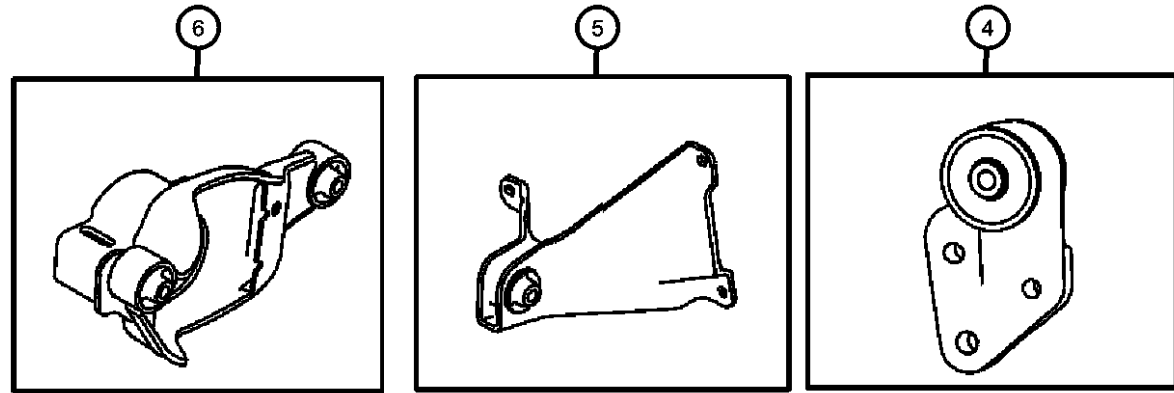
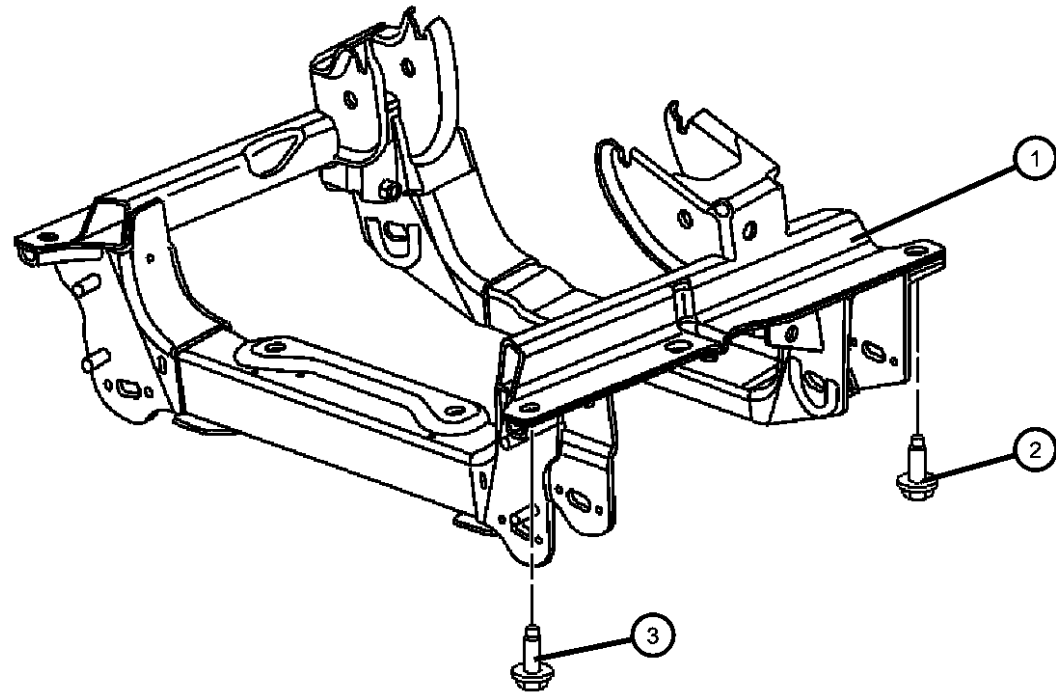
ENGINE      TRANSMISSION  
EKG = 3.7L V6 Engine      DG6 = 4-Spd. Automatic 42RLE  
ENR = 2.8L 4 Cyl Turbo Diesel      Transmission  
Engine      DGV = 4-Spd. Automatic VLP  
ENJ = 2.5L 4 Cyl 16V Turbo      Transmission  
Diesel Engine      DGQ = 5-Spd Automatic 5-45RFE  
ED1 = 2.4L 4 Cyl DOHC 16v      Transmission  
SMPI Engine      DEH = 6-Speed Manual NSG370  
Transmission  
DDD = 5-Speed HD Manual  
Transmission  
DDK = 5-Speed HD Manual  
Transmission

AR = use ase required - = Non illustrated part

2006 KJ

**Cradle,Front Suspension and Attaching Parts**  
**Figure 2-130**

ITEM	PART NUMBER	QTY	LINE	SERIES	BODY	ENGINE	TRANS	TRIM	DESCRIPTION
		4	J, U						[EN0] Axle Assembly to Cradle and Right Bracket, Mounting
-12									SCREW AND WASHER, M10x1.50x45.00
	06101985	3	J, U						[EK0] Left Front and Left Rear Bracket to Axle, Mounting
		6	J, U						[EN0] Left Front and Left Rear Bracket to Axle, Mounting
-13	06502696	3	J, U						NUT, Hex Flange Lock, M14x1.50, [EK0,EN0] Left Front Bracket to Axle, Mounting

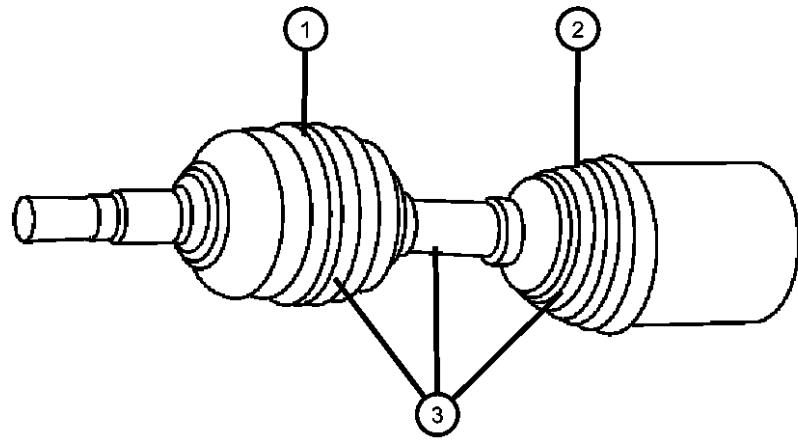


<b>LIBERTY (KJ)</b>				
SERIES	LINE	BODY	ENGINE	TRANSMISSION
H = HIGHLINE	T = JEEP - 2WD	74 = SPORT UTILITY 4-DR	EKG = 3.7L V6 Engine	DG6 = 4-Spd. Automatic 42RLE
M = MEDIUM	J = JEEP - 4WD		ENR = 2.8L 4 Cyl Turbo Diesel Engine	Transmission
P = PREMIUM	U = JEEP - 4WD (RHD)		ENJ = 2.5L 4 Cyl 16V Turbo Diesel Engine	DGV = 4-Spd. Automatic VLP
			ED1 = 2.4L 4 Cyl DOHC 16v SMPI Engine	Transmission
				DGQ = 5-Spd Automatic 5-45RFE
				Transmission
				DEH = 6-Speed Manual NSG370
				Transmission
				DDD = 5-Speed HD Manual
				Transmission
				DDK = 5-Speed HD Manual
				Transmission

AR = use ase required - = Non illustrated part

**Axle Shafts,Front**  
**Figure 2-210**

ITEM	PART NUMBER	QTY	LINE	SERIES	BODY	ENGINE	TRANS	TRIM	DESCRIPTION
Note:Sales Codes; [EK0]=Engines - All 3.7L 6 Cylinder Gas [EN0]=Engines - All 4/5 Cylinder Turbo Diesel									
1	05066025AB	1	J, U						BOOT KIT, Half Shaft, OuterRight or Left
2	05066024AA	1	J, U						BOOT KIT, Half Shaft, InnerRight or Left
3									SHAFT, Axle Half
	05066020AA	1	J, U						[EK0], Right
	05066021AA	1	J, U						[EK0], Left
	05066022AA	1	J, U						[EN0], Right
	05066023AA	1	J, U						[EN0], Left



**LIBERTY (KJ)**

SERIES      LINE  
H = HIGHLINE    T = JEEP - 2WD  
M = MEDIUM      J = JEEP - 4WD  
P = PREMIUM      U = JEEP - 4WD (RHD)

BODY  
74 = SPORT UTILITY 4-DR

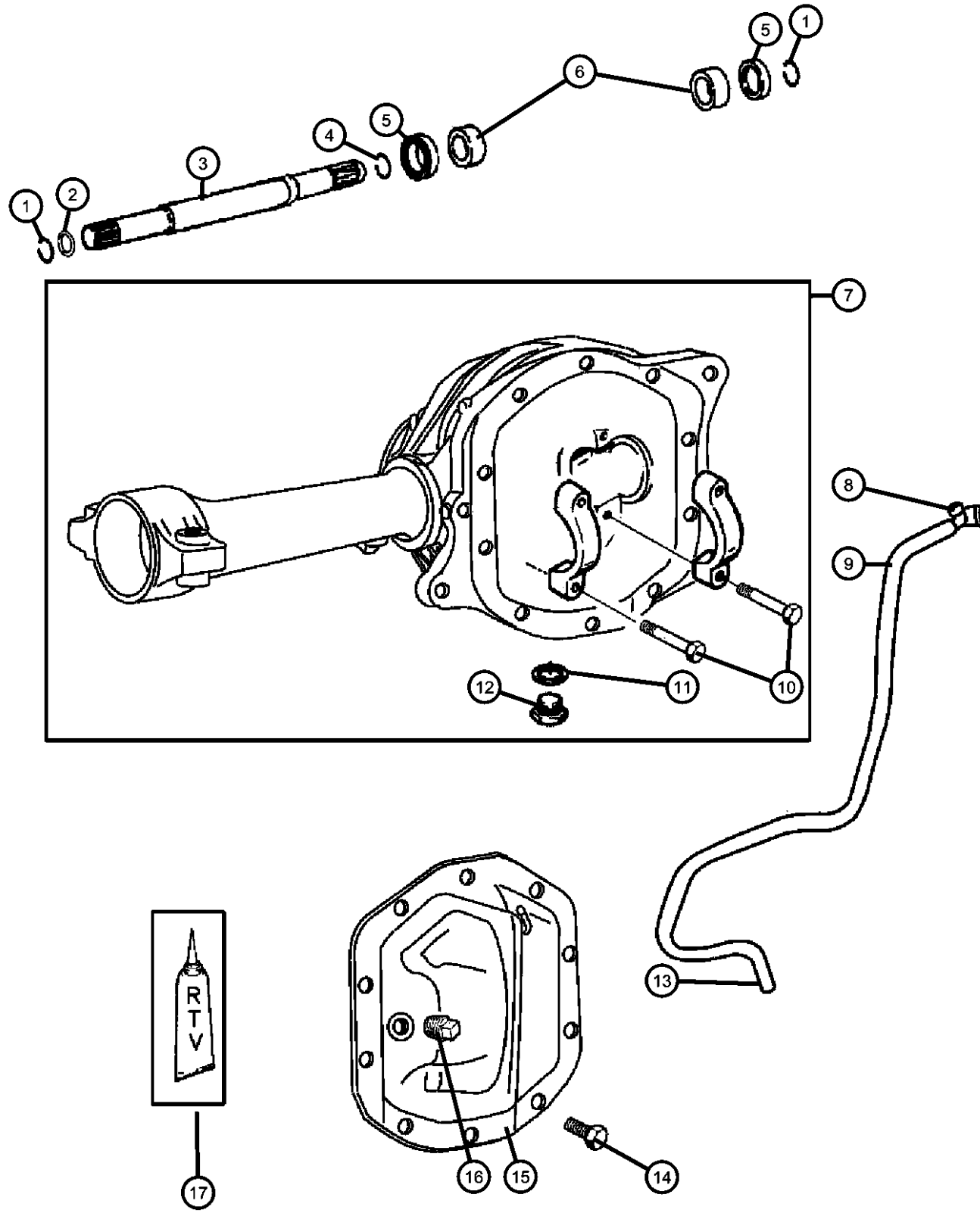
ENGINE      TRANSMISSION  
EKG = 3.7L V6 Engine      DG6 = 4-Spd. Automatic 42RLE  
ENR = 2.8L 4 Cyl Turbo Diesel      Transmission  
Engine      DGV = 4-Spd. Automatic VLP  
ENJ = 2.5L 4 Cyl 16V Turbo      Transmission  
Diesel Engine      DGQ = 5-Spd Automatic 5-45RFE  
ED1 = 2.4L 4 Cyl DOHC 16v      Transmission  
SMPI Engine      DEH = 6-Speed Manual NSG370  
Transmission  
DDD = 5-Speed HD Manual  
Transmission  
DDK = 5-Speed HD Manual  
Transmission

AR = use ase required    - = Non illustrated part

2006 KJ



Housing,Axle,Front  
Figure 2-310



ITEM	PART NUMBER	QTY	LINE	SERIES	BODY	ENGINE	TRANS	TRIM	DESCRIPTION
1	05066064AA	1	J, U						SNAP RING, Axle ShaftOutboard
2	05066067AA	1	J, U						O RING, Axle Shaft
3	05066057AB	1	J, U						SHAFT, Axle
4	05069009AA	1	J, U						SNAP RING, Axle ShaftOutboard
5	05066066AA	2	J, U						SEAL, Axle Drive Shaft
6	05066056AB	2	J, U						BUSHING, Axle Shaft
7	05066049AB	1	J, U						HOUSING, Front Axle
8	52104552AB	1	J, U						VENT, Axle
9	HFV00516AB	1	J, U						HOSE, Fuel And Vapor, 25 Foot Roll 5/16"
10	06035985AA	4	J, U						BOLT, Differential
11	05066055AA	1	J, U						O RING
12	05066054AA	1	J, U						PLUG, Drain
13	06503573	1							CLAMP, Hose
14	05069008AA	1	J, U						BOLT KIT
15	05066538AA	1	J, U						COVER, Differential
16	J4004751	1	J, U						PLUG, Differential Cover
17	05010884AA	1	J, U						SEALANT, RTV

LIBERTY (KJ)

SERIES      LINE  
H = HIGHLINE    T = JEEP - 2WD  
M = MEDIUM     J = JEEP - 4WD  
P = PREMIUM    U = JEEP - 4WD (RHD)

BODY  
74 = SPORT UTILITY 4-DR

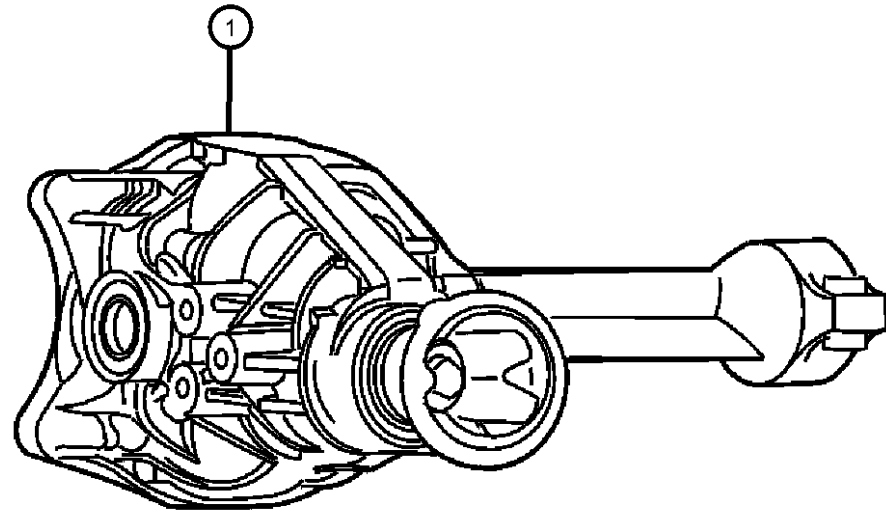
ENGINE      TRANSMISSION  
EKG = 3.7L V6 Engine      DG6 = 4-Spd. Automatic 42RLE  
ENR = 2.8L 4 Cyl Turbo Diesel      Transmission  
Engine      DGV = 4-Spd. Automatic VLP  
ENJ = 2.5L 4 Cyl 16V Turbo      Transmission  
Diesel Engine      DGQ = 5-Spd Automatic 5-45RFE  
ED1 = 2.4L 4 Cyl DOHC 16v      Transmission  
SMPI Engine      DEH = 6-Speed Manual NSG370  
Transmission  
DDD = 5-Speed HD Manual  
Transmission  
DDK = 5-Speed HD Manual  
Transmission

AR = use ase required - = Non illustrated part

**Axle Assembly,Front  
Figure 2-410**

ITEM	PART NUMBER	QTY	LINE	SERIES	BODY	ENGINE	TRANS	TRIM	DESCRIPTION
------	-------------	-----	------	--------	------	--------	-------	------	-------------

Note:Sales Codes;  
[DMD]=Axle Ratio - 3.55  
[DME]=Axle Ratio - 3.73



1									AXLE, Service Front
	05066068AD	1	J, U						[DME] With Tag 52111137AG
	04874468								Mopar SAE 80W-90 Gear Lube Quart Bottle
	68003054AA								Mopar SAE 80W-90 Gear Lube 16 Gallon Keg
	04874469								Mopar SAE 75W-140 Synthetic Gear and Axle Lube Quart
	68003055AA								Mopar SAE 75W-140 Synthetic Gear and Axle Lube 16 Gallon Keg
	05010320AA								Mopar SAE 75W-90 Synthetic Gear Lube Quart
	68003056								Mopar SAE 75W-90 Synthetic Gear Lube 16 Gallon Keg
	P5007326								Performance Mobil 1, 75W - 90 Synthetic Gear Lube
		1	J, U						[DME] With Tag 52114038AB
	04874468								Mopar SAE 80W-90 Gear Lube Quart Bottle
	68003054AA								Mopar SAE 80W-90 Gear Lube 16 Gallon Keg
	04874469								Mopar SAE 75W-140 Synthetic Gear and Axle Lube Quart
	68003055AA								Mopar SAE 75W-140 Synthetic Gear and Axle Lube 16 Gallon Keg
	05010320AA								Mopar SAE 75W-90 Synthetic Gear Lube Quart
	68003056								Mopar SAE 75W-90 Synthetic Gear Lube 16 Gallon Keg
	P5007326								Performance Mobil 1, 75W - 90 Synthetic Gear Lube
	05135252AB	1	J, U						[DMD] With Tag 52114037AB
		1	J, U						[DMD] With Tag 52114355AB

**LIBERTY (KJ)**

SERIES	LINE
H = HIGHLINE	T = JEEP - 2WD
M = MEDIUM	J = JEEP - 4WD
P = PREMIUM	U = JEEP - 4WD (RHD)

BODY  
74 = SPORT UTILITY 4-DR

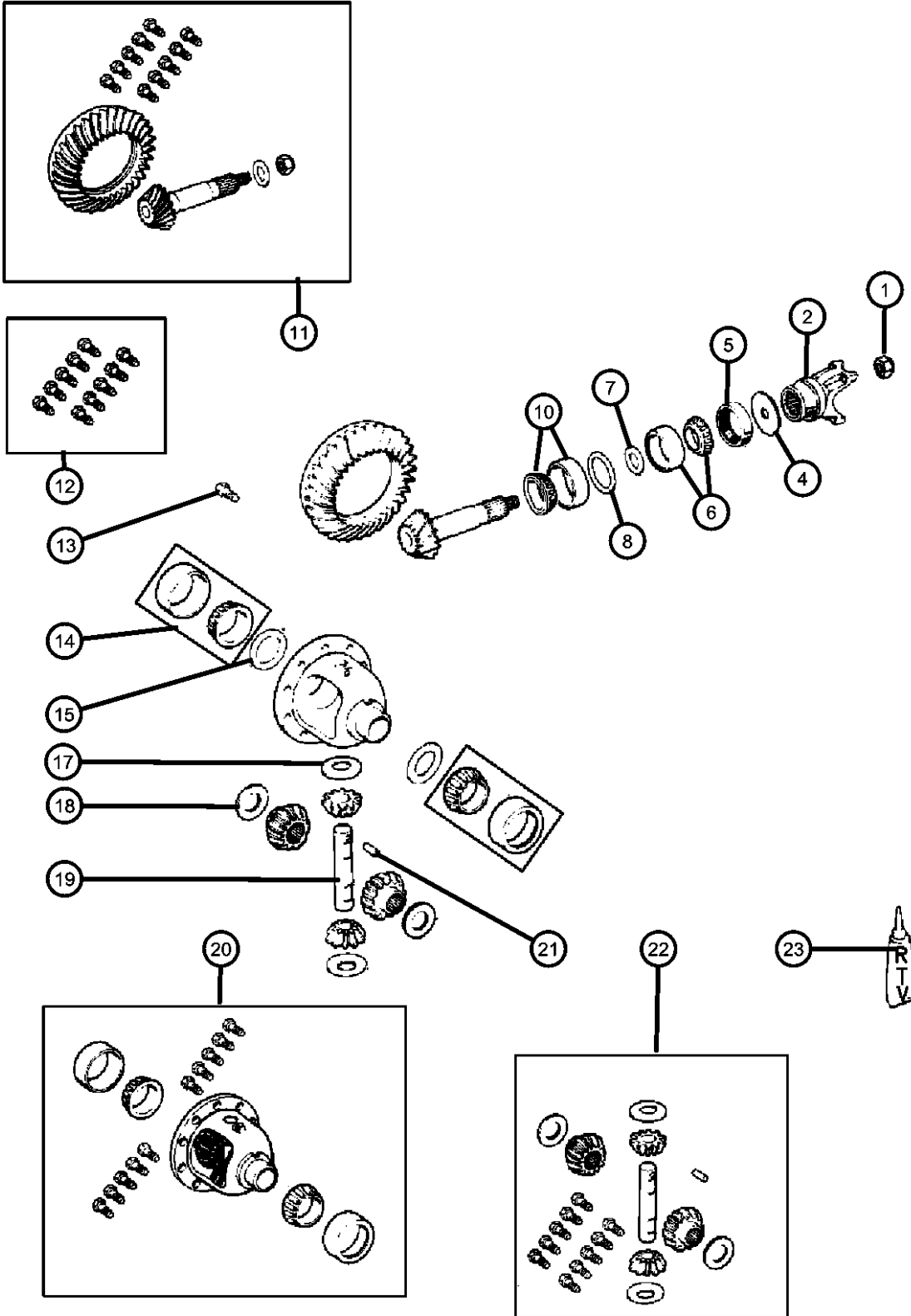
ENGINE  
EKG = 3.7L V6 Engine  
ENR = 2.8L 4 Cyl Turbo Diesel Engine  
ENJ = 2.5L 4 Cyl 16V Turbo Diesel Engine  
ED1 = 2.4L 4 Cyl DOHC 16v SMPI Engine

TRANSMISSION  
DG6 = 4-Spd. Automatic 42RLE Transmission  
DGV = 4-Spd. Automatic VLP Transmission  
DGQ = 5-Spd Automatic 5-45RFE Transmission  
DEH = 6-Speed Manual NSG370 Transmission  
DDD = 5-Speed HD Manual Transmission  
DDK = 5-Speed HD Manual Transmission

AR = use ase required - = Non illustrated part

2006 KJ

**Differential,Front Axle  
Figure 2-610**

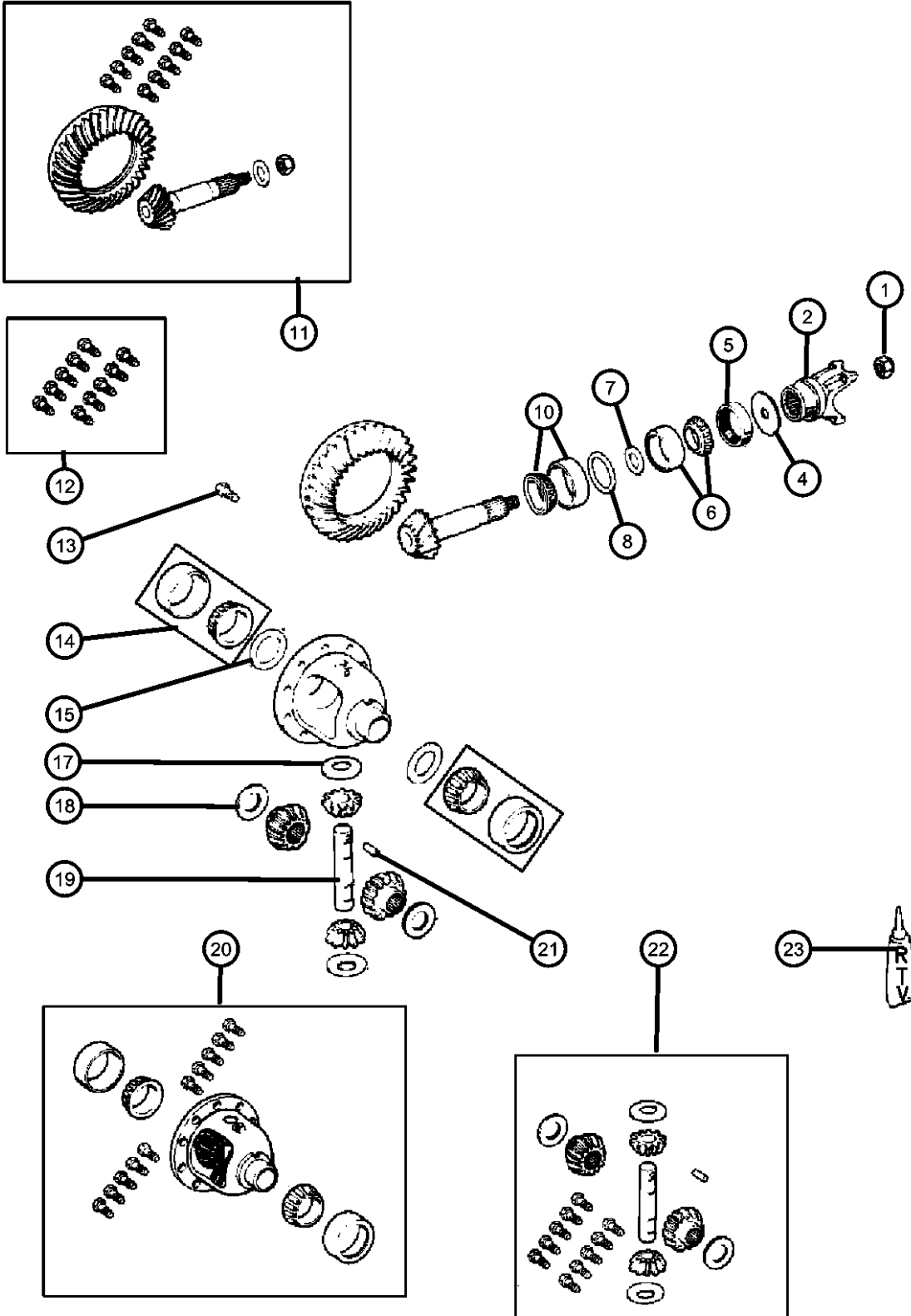


ITEM	PART NUMBER	QTY	LINE	SERIES	BODY	ENGINE	TRANS	TRIM	DESCRIPTION
Note:Sales Codes; [DMD]=Axle Ratio - 3.55 [DME]=Axle Ratio - 3.73									
1	04720895	1	J, U						NUT, Pinion Yoke
2	05066050AC	1	J, U						YOKE, Axle
-3	05066067AA	1	J, U						O RING, Fits Over Hub of Yoke
4	05066052AA	1	J, U						SLINGER, Drive Pinion
5	05066053AA	1	J, U						SEAL, Drive Pinion
6	J8126499	1	J, U						BEARING, Drive Pinion, Bearing and Cup, Front
7	05066047AA	1	J, U						SPACER, Crush
8									SHIM, Drive Pinion Bearing
	05066572AA	1	J, U						[.045]
	05066573AA	1	J, U						[.046]
	05066574AA	1	J, U						[.047]
	05066575AA	1	J, U						[.048]
	05066576AA	1	J, U						[.049]
	05066577AA	1	J, U						[.050]
	05066578AA	1	J, U						[.051]
	05066579AA	1	J, U						[.052]
	05066580AA	1	J, U						[.053]
	05066581AA	1	J, U						[.055]
	05066582AA	1	J, U						[.056]
	05066583AA	1	J, U						[.057]
	05066584AA	1	J, U						[.034]
	05066585AA	1	J, U						[.035]
	05066586AA	1	J, U						[.036]
	05066587AA	1	J, U						[.037]
	05066588AA	1	J, U						[.038]
	05066589AA	1	J, U						[.039]
	05066590AA	1	J, U						[.040]

<b>LIBERTY (KJ)</b>			
SERIES	LINE	BODY	ENGINE
H = HIGHLINE	T = JEEP - 2WD	74 = SPORT UTILITY 4-DR	EKG = 3.7L V6 Engine
M = MEDIUM	J = JEEP - 4WD		ENR = 2.8L 4 Cyl Turbo Diesel Engine
P = PREMIUM	U = JEEP - 4WD (RHD)		ENJ = 2.5L 4 Cyl 16V Turbo Diesel Engine
			ED1 = 2.4L 4 Cyl DOHC 16v SMPI Engine
			TRANSMISSION
			DG6 = 4-Spd. Automatic 42RLE Transmission
			DGV = 4-Spd. Automatic VLP Transmission
			DGQ = 5-Spd Automatic 5-45RFE Transmission
			DEH = 6-Speed Manual NSG370 Transmission
			DDD = 5-Speed HD Manual Transmission
			DDK = 5-Speed HD Manual Transmission

AR = use ase required - = Non illustrated part

**Differential,Front Axle  
Figure 2-610**



ITEM	PART NUMBER	QTY	LINE	SERIES	BODY	ENGINE	TRANS	TRIM	DESCRIPTION
	05066591AA	1	J, U						[.041]
	05066592AA	1	J, U						[.042]
	05066593AA	1	J, U						[.043]
	05066594AA	1	J, U						[.044]
	05066595AA	1	J, U						[.054]
	05066596AA	1	J, U						[.058]
-9	05066533AA	1	J, U						SHIM KIT, Pinion Shaft, Contains 1 Each of Item 8
10	04746979	1	J, U						BEARING, Drive Pinion, Bearing and Cup, Rear
11									GEAR KIT, Ring And Pinion
	05066051AA	1	J, U						[DME]
	05135255AA	1	J, U						[DMD]
12	05069008AA	1	J, U						BOLT KIT, Contains 10 of Item 13
13	05252503	10	J, U						SCREW, Drive GearMounting
14	J8126500	1	J, U						BEARING, Differential, Contains 2 Cups and 2 Cones
15									SHIM, Differential Bearing
	05017218AA	1	J, U						[.109"]
	05017219AA	1	J, U						[.110"]
	05017220AA	1	J, U						[.111"]
	05017221AA	1	J, U						[.112"]
	05017222AA	1	J, U						[.113"]
	05017223AA	1	J, U						[.114"]
	05017224AA	1	J, U						[.115"]
	05017225AA	1	J, U						[.116"]
	05017226AA	1	J, U						[.117"]
	05017227AA	1	J, U						[.118"]
	05017228AA	1	J, U						[.119"]
	05017229AA	1	J, U						[.120"]
	05017230AA	1	J, U						[.121"]

**LIBERTY (KJ)**  
 SERIES                      LINE  
 H = HIGHLINE      T = JEEP - 2WD  
 M = MEDIUM        J = JEEP - 4WD  
 P = PREMIUM        U = JEEP - 4WD (RHD)

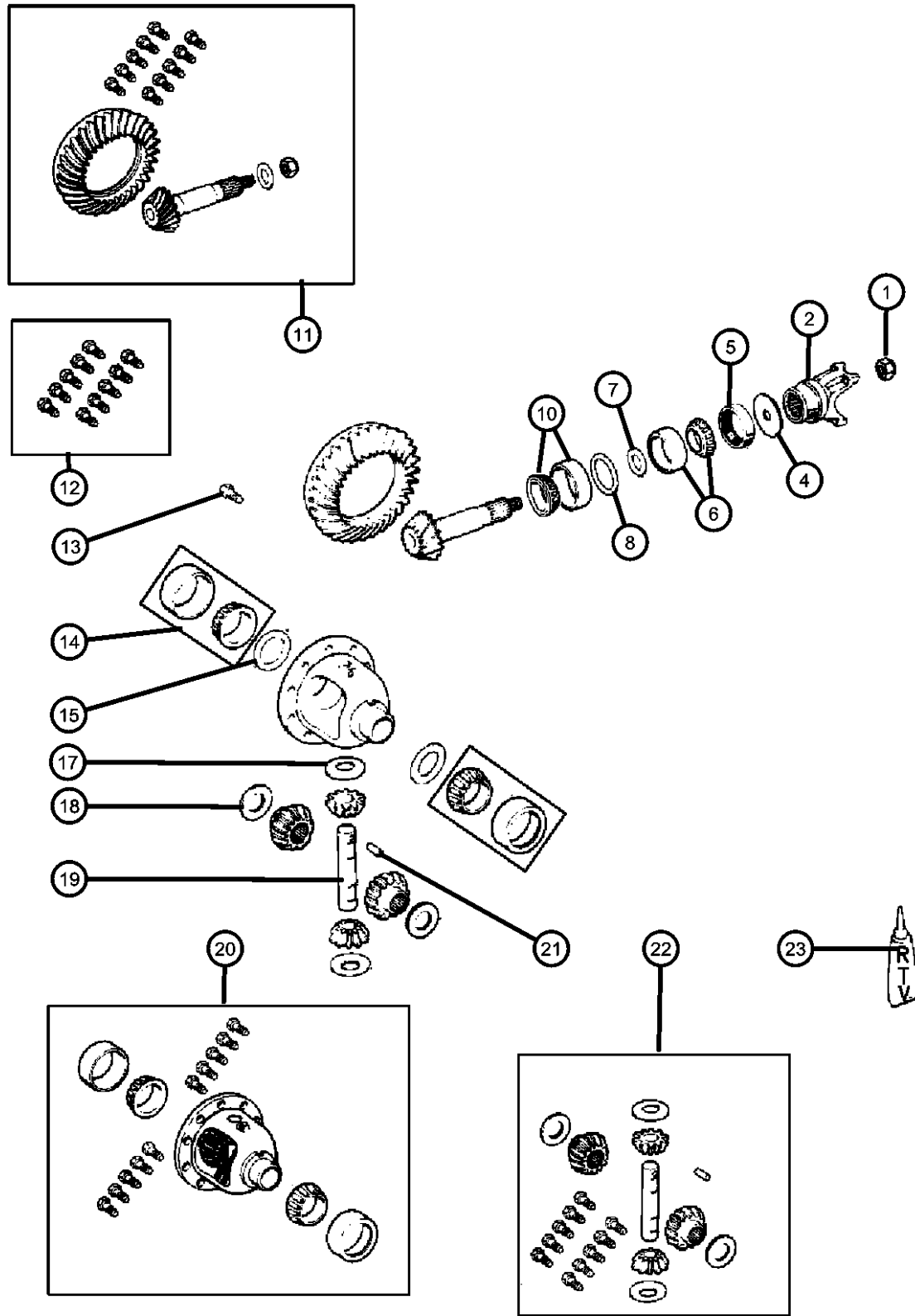
**BODY**  
 74 = SPORT UTILITY 4-DR

**ENGINE**  
 EKG = 3.7L V6 Engine  
 ENR = 2.8L 4 Cyl Turbo Diesel Engine  
 ENJ = 2.5L 4 Cyl 16V Turbo Diesel Engine  
 ED1 = 2.4L 4 Cyl DOHC 16v SMPI Engine

**TRANSMISSION**  
 DG6 = 4-Spd. Automatic 42RLE Transmission  
 DGV = 4-Spd. Automatic VLP Transmission  
 DGQ = 5-Spd Automatic 5-45RFE Transmission  
 DEH = 6-Speed Manual NSG370 Transmission  
 DDD = 5-Speed HD Manual Transmission  
 DDK = 5-Speed HD Manual Transmission

AR = use ase required - = Non illustrated part

Differential,Front Axle  
Figure 2-610



ITEM	PART NUMBER	QTY	LINE	SERIES	BODY	ENGINE	TRANS	TRIM	DESCRIPTION
	05017231AA	1	J, U						[.122"]
	05017232AA	1	J, U						[.123"]
	05017233AA	1	J, U						[.124"]
	05017234AA	1	J						[.125"]
	05017235AA	1	J, U						[.126"]
	05017236AA	1	J, U						[.127"]
	05017237AA	1	J, U						[.128"]
	05017238AA	1	J, U						[.129"]
	05017239AA	1	J, U						[.130"]
	05017240AA	1	J, U						[.131"]
	05017241AA	1	J, U						[.132"]
	05017242AA	1	J, U						[.133"]
	05017243AA	1	J, U						[.134"]
	05017244AA	1	J, U						[.135"]
	05017245AA	1	J, U						[.136"]
	05017246AA	1	J, U						[.137"]
	05017247AA	1	J, U						[.138"]
	05017248AA	1	J, U						[.139"]
	05017249AA	1	J, U						[.140"]
	05017250AA	1	J, U						[.141"]
	05017251AA	1	J, U						[.142"]
	05017252AA	1	J, U						[.143"]
	05017253AA	1	J, U						[.144"]
	05017254AA	1	J, U						[.145"]
	05017255AA	1	J, U						[.146"]
	05017256AA	1	J, U						[.147"]
	05017257AA	1	J, U						[.148"]
-16	05066539AA	1	J, U						SHIM KIT, Differential, Contains 1 Each of Item 14
17	J8120831	1	J, U						WASHER, Pinion GearThrust

LIBERTY (KJ)

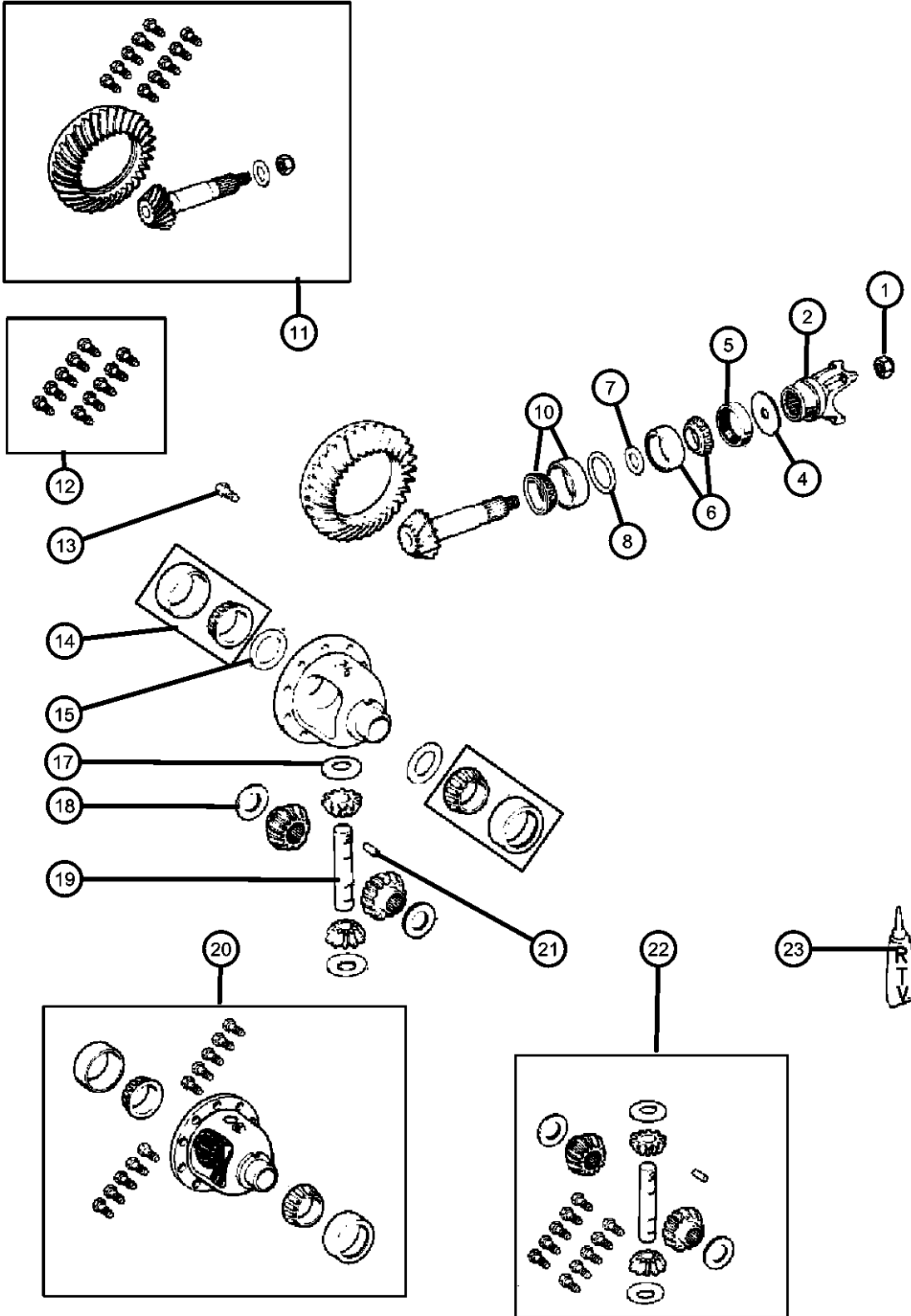
SERIES      LINE  
H = HIGHLINE    T = JEEP - 2WD  
M = MEDIUM     J = JEEP - 4WD  
P = PREMIUM    U = JEEP - 4WD (RHD)

BODY  
74 = SPORT UTILITY 4-DR

ENGINE      TRANSMISSION  
EKG = 3.7L V6 Engine      DG6 = 4-Spd. Automatic 42RLE  
ENR = 2.8L 4 Cyl Turbo Diesel Engine      Transmission  
ENJ = 2.5L 4 Cyl 16V Turbo Diesel Engine      DGV = 4-Spd. Automatic VLP  
ED1 = 2.4L 4 Cyl DOHC 16v SMPI Engine      Transmission  
DGQ = 5-Spd Automatic 5-45RFE  
DEH = 6-Speed Manual NSG370  
Transmission  
DDD = 5-Speed HD Manual  
Transmission  
DDK = 5-Speed HD Manual  
Transmission

AR = use ase required - = Non illustrated part

**Differential,Front Axle  
Figure 2-610**



ITEM	PART NUMBER	QTY	LINE	SERIES	BODY	ENGINE	TRANS	TRIM	DESCRIPTION
18	J8120832	1	J, U						WASHER, Side GearThrust
19	05003840AA	1	J, U						SHAFT, Differential
20									CASE, Differential
	05066529AA	1	J, U						[DME] With Internal Parts
	05135254AA	1	J, U						[DMD] With Internal Parts
21	01791563	1	J, U						PIN, Differential Shaft
22	05066530AA	1	J, U						GEAR KIT, Center Differential
23	05010884AA	1	J, U						SEALANT, RTV

<b>LIBERTY (KJ)</b>				
SERIES	LINE	BODY	ENGINE	TRANSMISSION
H = HIGHLINE	T = JEEP - 2WD	74 = SPORT UTILITY 4-DR	EKG = 3.7L V6 Engine	DG6 = 4-Spd. Automatic 42RLE
M = MEDIUM	J = JEEP - 4WD		ENR = 2.8L 4 Cyl Turbo Diesel Engine	Transmission
P = PREMIUM	U = JEEP - 4WD (RHD)		ENJ = 2.5L 4 Cyl 16V Turbo Diesel Engine	DGV = 4-Spd. Automatic VLP
			ED1 = 2.4L 4 Cyl DOHC 16v SMPI Engine	Transmission
				DGQ = 5-Spd Automatic 5-45RFE
				Transmission
				DEH = 6-Speed Manual NSG370
				Transmission
				DDD = 5-Speed HD Manual
				Transmission
				DDK = 5-Speed HD Manual
				Transmission

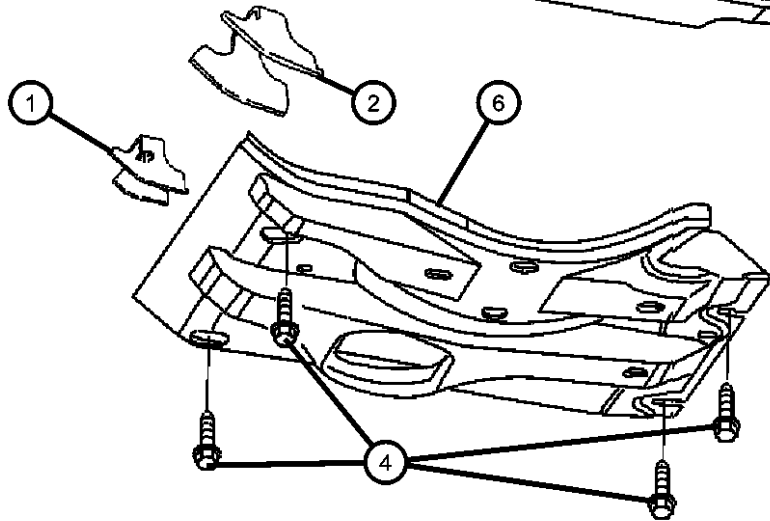
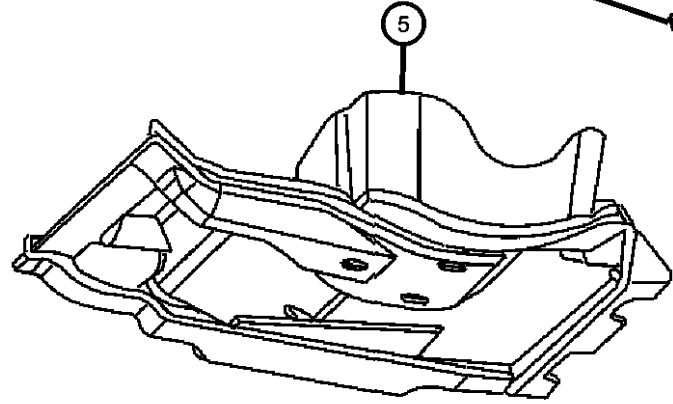
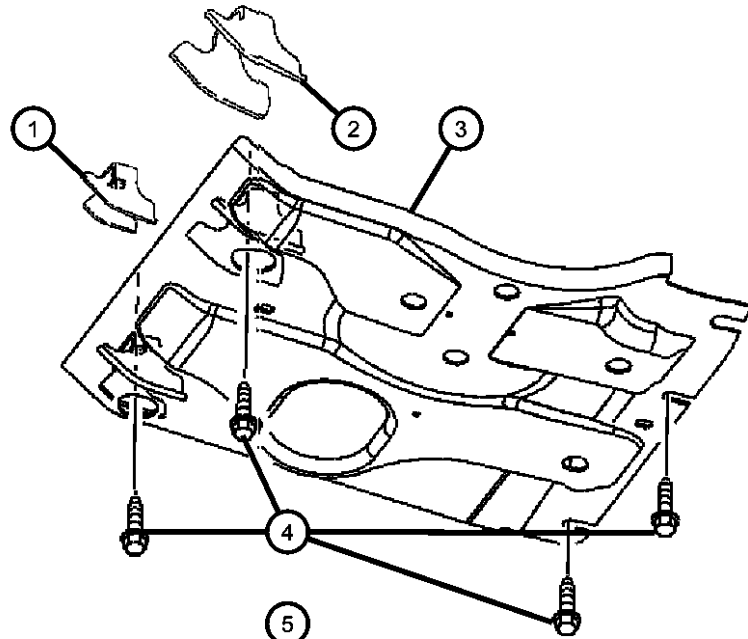
AR = use ase required - = Non illustrated part

Skid Plate,Front Axle  
Figure 2-810

ITEM	PART NUMBER	QTY	LINE	SERIES	BODY	ENGINE	TRANS	TRIM	DESCRIPTION
------	-------------	-----	------	--------	------	--------	-------	------	-------------

Note:Sales Codes;  
[EN0]-Engines - All 4/5 Cylinder Turbo Diesel  
[XEU]=Skid Plate - Front Suspension

1	52128544AA	1	J, U						BRACKET, Skid PlateRight
2	52128545AA	1	J, U						BRACKET, Skid PlateLeft
3	52129092AA	1	J, U						SKID PLATE, Front, [XEU]
4									SCREW
	06104416AA	4	J, U						[EN0], Mounting
		4	J, U						[EN0] Without [XEU], Mounting
5	52129093AC	1	J, U						BELLY PAN, Front, [EN0]
6	52129290AA	1	J, U						SUPPORT ASSY, Frt Belly Pan, [EN0] Without [XEU]



LIBERTY (KJ)

SERIES	LINE
H = HIGHLINE	T = JEEP - 2WD
M = MEDIUM	J = JEEP - 4WD
P = PREMIUM	U = JEEP - 4WD (RHD)

BODY
74 = SPORT UTILITY 4-DR

ENGINE	TRANSMISSION
EKG = 3.7L V6 Engine	DG6 = 4-Spd. Automatic 42RLE
ENR = 2.8L 4 Cyl Turbo Diesel Engine	Transmission
ENJ = 2.5L 4 Cyl 16V Turbo Diesel Engine	DGV = 4-Spd. Automatic VLP
ED1 = 2.4L 4 Cyl DOHC 16v SMPI Engine	Transmission
	DGQ = 5-Spd Automatic 5-45RFE
	Transmission
	DEH = 6-Speed Manual NSG370
	Transmission
	DDD = 5-Speed HD Manual
	Transmission
	DDK = 5-Speed HD Manual
	Transmission

AR = use ase required - = Non illustrated part

2006 KJ

# Group - 3

## Rear Axle

### Group - 3 Rear Axle

Illustration Title

Group-Fig. No.

#### Rear Axle

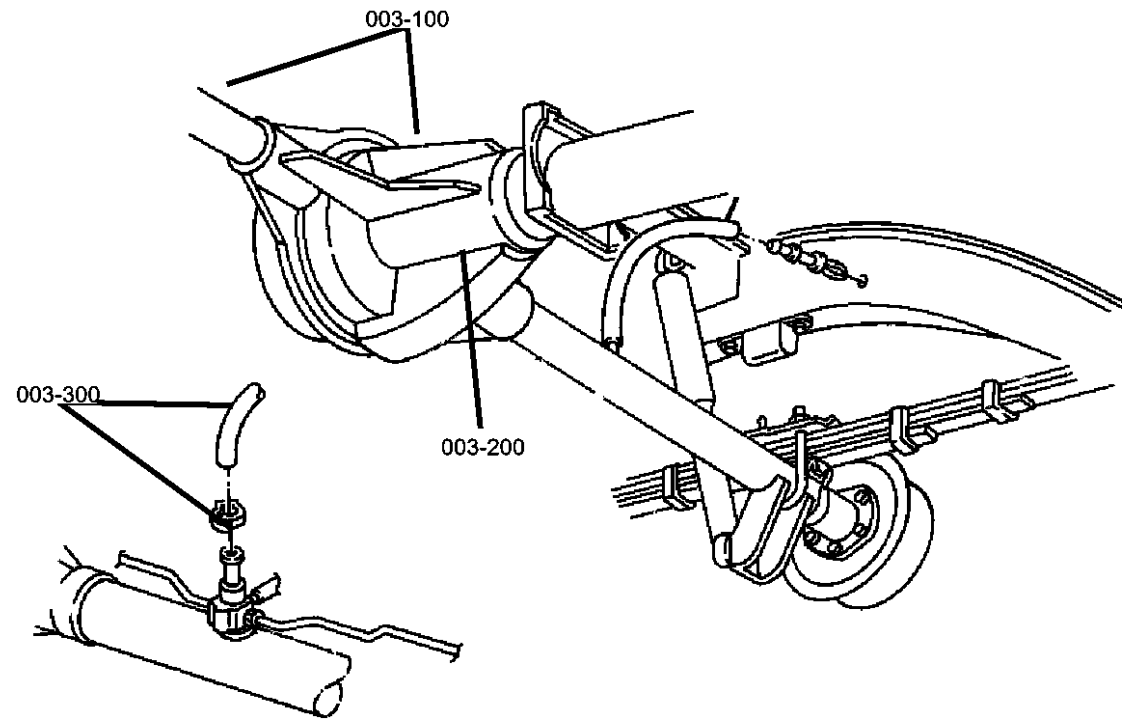
Axle Assembly,Rear,Corporate 8.25 [DRA] ..... Fig. 3 - 110

#### Differential and Housing

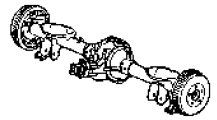
Axle,Rear,with Differential and Housing,Corporate 8.25 [DRA]..... Fig. 3 - 210

#### Rear Axle Vent

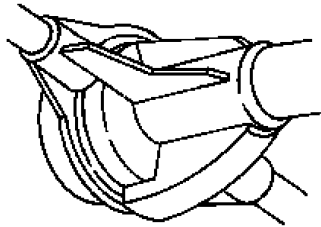
Vent,Rear Axle ..... Fig. 3 - 310



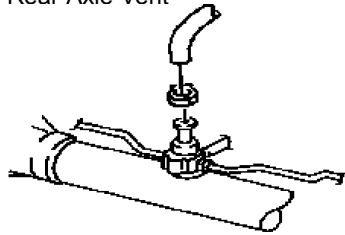
**003-100**  
Rear Axle



**003-200**  
Differential and Housing



**003-300**  
Rear Axle Vent



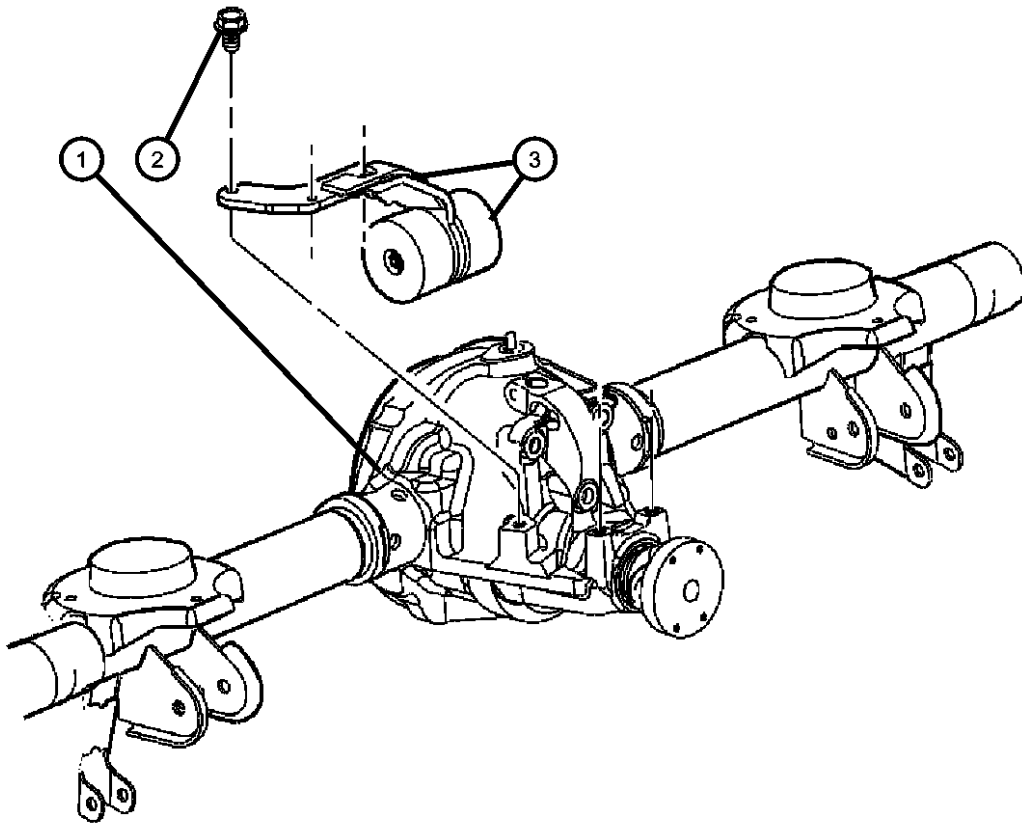


**Axle Assembly,Rear,Corporate 8.25 [DRA]  
Figure 3-110**

ITEM	PART NUMBER	QTY	LINE	SERIES	BODY	ENGINE	TRANS	TRIM	DESCRIPTION
------	-------------	-----	------	--------	------	--------	-------	------	-------------

Note: Sales Codes  
[DMD]=Axle Ratio - 3.55  
[DME]=Axle Ratio - 3.73  
[DRA]=Axle - Rear, Corporate 8.25

1									AXLE, Service Rear
	05170338AA	1							[DMD]
	04874469								Mopar SAE 75W-140 Synthetic Gear and Axle Lube Quart
	68003055AA								Mopar SAE 75W-140 Synthetic Gear and Axle Lube 16 Gallon Keg
	05010320AA								Mopar SAE 75W-90 Synthetic Gear Lube Quart
	68003056								Mopar SAE 75W-90 Synthetic Gear Lube 16 Gallon Keg
	P5007326								Performance Mobil 1, 75W - 90 Synthetic Gear Lube
	05170340AA	1							[DME]
	04874469								Mopar SAE 75W-140 Synthetic Gear and Axle Lube Quart
	68003055AA								Mopar SAE 75W-140 Synthetic Gear and Axle Lube 16 Gallon Keg
	05010320AA								Mopar SAE 75W-90 Synthetic Gear Lube Quart
	68003056								Mopar SAE 75W-90 Synthetic Gear Lube 16 Gallon Keg
	P5007326								Performance Mobil 1, 75W - 90 Synthetic Gear Lube
2	06507369AA	3							BOLT, Axle Damper, Mounting
3	52111360AE	1							DAMPER, Axle



**LIBERTY (KJ)**

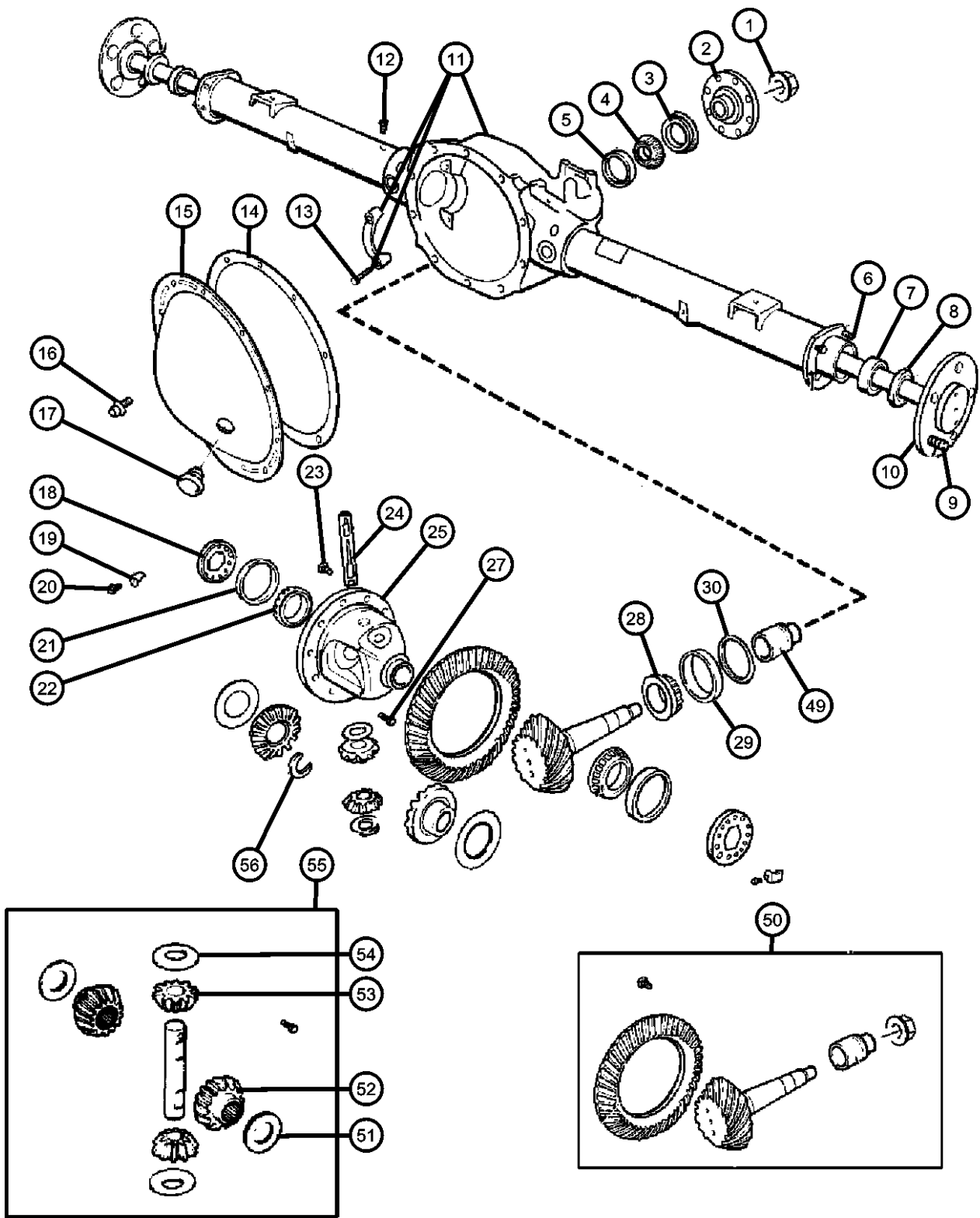
SERIES	LINE	BODY
H = HIGHLINE	T = JEEP - 2WD	74 = SPORT UTILITY 4-DR
M = MEDIUM	J = JEEP - 4WD	
P = PREMIUM	U = JEEP - 4WD (RHD)	

ENGINE	TRANSMISSION
EKG = 3.7L V6 Engine	DG6 = 4-Spd. Automatic 42RLE
ENR = 2.8L 4 Cyl Turbo Diesel Engine	Transmission
ENJ = 2.5L 4 Cyl 16V Turbo Diesel Engine	DGV = 4-Spd. Automatic VLP
ED1 = 2.4L 4 Cyl DOHC 16v SMPI Engine	Transmission
	DGQ = 5-Spd Automatic 5-45RFE
	Transmission
	DEH = 6-Speed Manual NSG370
	Transmission
	DDD = 5-Speed HD Manual
	Transmission
	DDK = 5-Speed HD Manual
	Transmission

AR = use ase required - = Non illustrated part

2006 KJ

Axle,Rear,with Differential and Housing,Corporate 8.25 [DRA]  
Figure 3-210



ITEM	PART NUMBER	QTY	LINE	SERIES	BODY	ENGINE	TRANS	TRIM	DESCRIPTION
------	-------------	-----	------	--------	------	--------	-------	------	-------------

Note: Sales Codes;  
[DMD]=Axle Ratio - 3.55  
[DME] = Axle Ratio - 3.73  
[DRA] =Axle - Rear, Corporate 8.25

1	06036572AA	1							NUT, Pinion Yoke
2	52105065	1							FLANGE, Driveshaft Yoke
3	52070339AB	1							SEAL, Drive Pinion
4	02070316	1							BEARING, Drive PinionFront
5	02070317	1							CUP, Pinion BearingFront
6	06036595AA	8							STUD
7	03507898AB	2							BEARING, Wheel
8	52070427AB	2							SEAL, Axle Drive Shaft
9	06036123AA	10							STUD, Wheel
10	52114423AA	2							SHAFT, Axle
11	05170334AA	1							HOUSING, Axle
12	04137696AB	1							BOLT, Axle Vent
13	03432695	4							SCREW, Hex Head, .50-13x2.38
14	05010884AA	1							SEALANT, RTV
15	03723681AC	1							COVER, Differential
16	06033043	10							SCREW AND WASHER, Hex Flange Head, .312-18x.562
17	52070428AA	1							PLUG, Differential Cover
18	03507876AB	2							ADJUSTER, Differential Bearing
19	03723859	2							LOCK, Differential Bearing
20	06023092	2							SCREW AND WASHER, Hex Head, .25-20x.50
21	03723569	2							CUP, Differential Side
22	01790541	2							BEARING, Differential
23	06507634AA	10							BOLT, Ring GearMounting
24	52069657	1							SHAFT, Differential Pinion, Also Serviced In Differential Gear Package
25	52114057AA	1							CASE, Differential, With Internal Parts

LIBERTY (KJ)

SERIES	LINE
H = HIGHLINE	T = JEEP - 2WD
M = MEDIUM	J = JEEP - 4WD
P = PREMIUM	U = JEEP - 4WD (RHD)

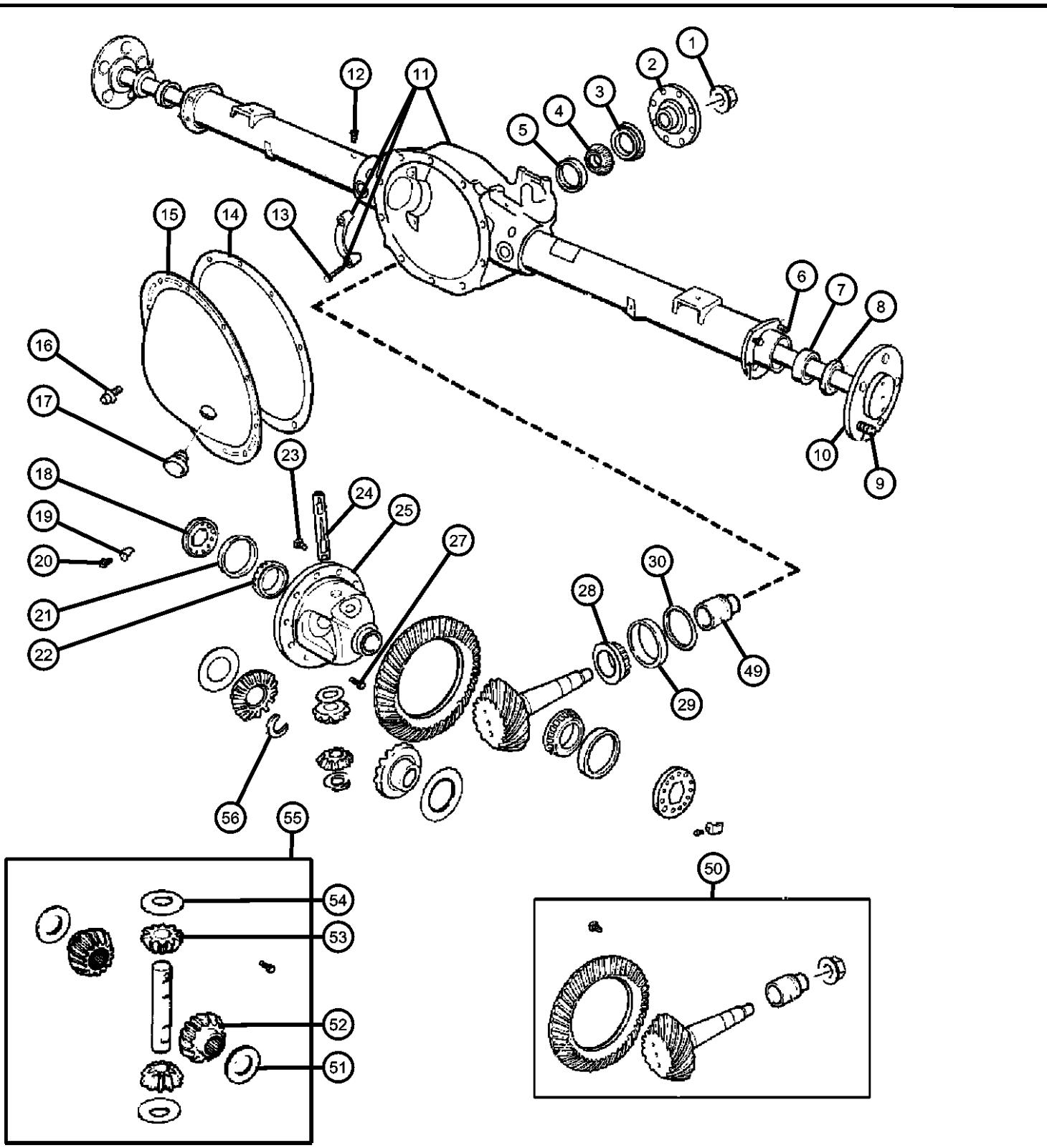
BODY
74 = SPORT UTILITY 4-DR

ENGINE	TRANSMISSION
EKG = 3.7L V6 Engine	DG6 = 4-Spd. Automatic 42RLE
ENR = 2.8L 4 Cyl Turbo Diesel Engine	Transmission
ENJ = 2.5L 4 Cyl 16V Turbo Diesel Engine	DGV = 4-Spd. Automatic VLP
ED1 = 2.4L 4 Cyl DOHC 16V SMPI Engine	Transmission
	DGQ = 5-Spd Automatic 5-45RFE
	Transmission
	DEH = 6-Speed Manual NSG370
	Transmission
	DDD = 5-Speed HD Manual
	Transmission
	DDK = 5-Speed HD Manual
	Transmission

AR = use ase required - = Non illustrated part

2006 KJ

Axle,Rear,with Differential and Housing,Corporate 8.25 [DRA]  
Figure 3-210



ITEM	PART NUMBER	QTY	LINE	SERIES	BODY	ENGINE	TRANS	TRIM	DESCRIPTION
-26	04384226	1							TONE RING, Sensor
27	03507724	1							SCREW, Hex Head, .312-18x1.80, Also Serviced in Differential Gear Package
28	02800484	1							BEARING, Drive PinionRear
29	02800485	1							CUP, Pinion BearingRear
30	03723520	AR							SHIM, Drive Pinion Bearing, .020
-31	03723521	AR							SHIM, Drive Pinion Bearing, .021
-32	03723522	AR							SHIM, Drive Pinion Bearing, .022
-33	03723523	AR							SHIM, Drive Pinion Bearing, .023
-34	03723524	AR							SHIM, Drive Pinion Bearing, .024
-35	03723525	AR							SHIM, Drive Pinion Bearing, .025
-36	03723526	AR							SHIM, Drive Pinion Bearing, .026
-37	03723527	AR							SHIM, Drive Pinion Bearing, .027
-38	03723528	AR							SHIM, Drive Pinion Bearing, .028
-39	03723529	AR							SHIM, Drive Pinion Bearing, .029
-40	03723530	AR							SHIM, Drive Pinion Bearing, .030
-41	03723531	AR							SHIM, Drive Pinion Bearing, .031
-42	03723532	AR							SHIM, Drive Pinion Bearing, .032
-43	03723533	AR							SHIM, Drive Pinion Bearing, .033
-44	03723534	AR							SHIM, Drive Pinion Bearing, .034
-45	03723535	AR							SHIM, Drive Pinion Bearing, .035
-46	03723536	AR							SHIM, Drive Pinion Bearing, .036
-47	03723537	AR							SHIM, Drive Pinion Bearing, .037
-48	03723538	AR							SHIM, Drive Pinion Bearing, .038
49	03507575	1							SPACER, Drive Pinion Bearing, Crush
50									GEAR KIT, Ring And Pinion
	05135943AB	1							[DMD]
	05143812AA	1							[DME]
51	04883085	1							WASHER PACKAGE, Side Gear Thrust

**LIBERTY (KJ)**  
 SERIES            LINE  
 H = HIGHLINE    T = JEEP - 2WD  
 M = MEDIUM     J = JEEP - 4WD  
 P = PREMIUM     U = JEEP - 4WD (RHD)

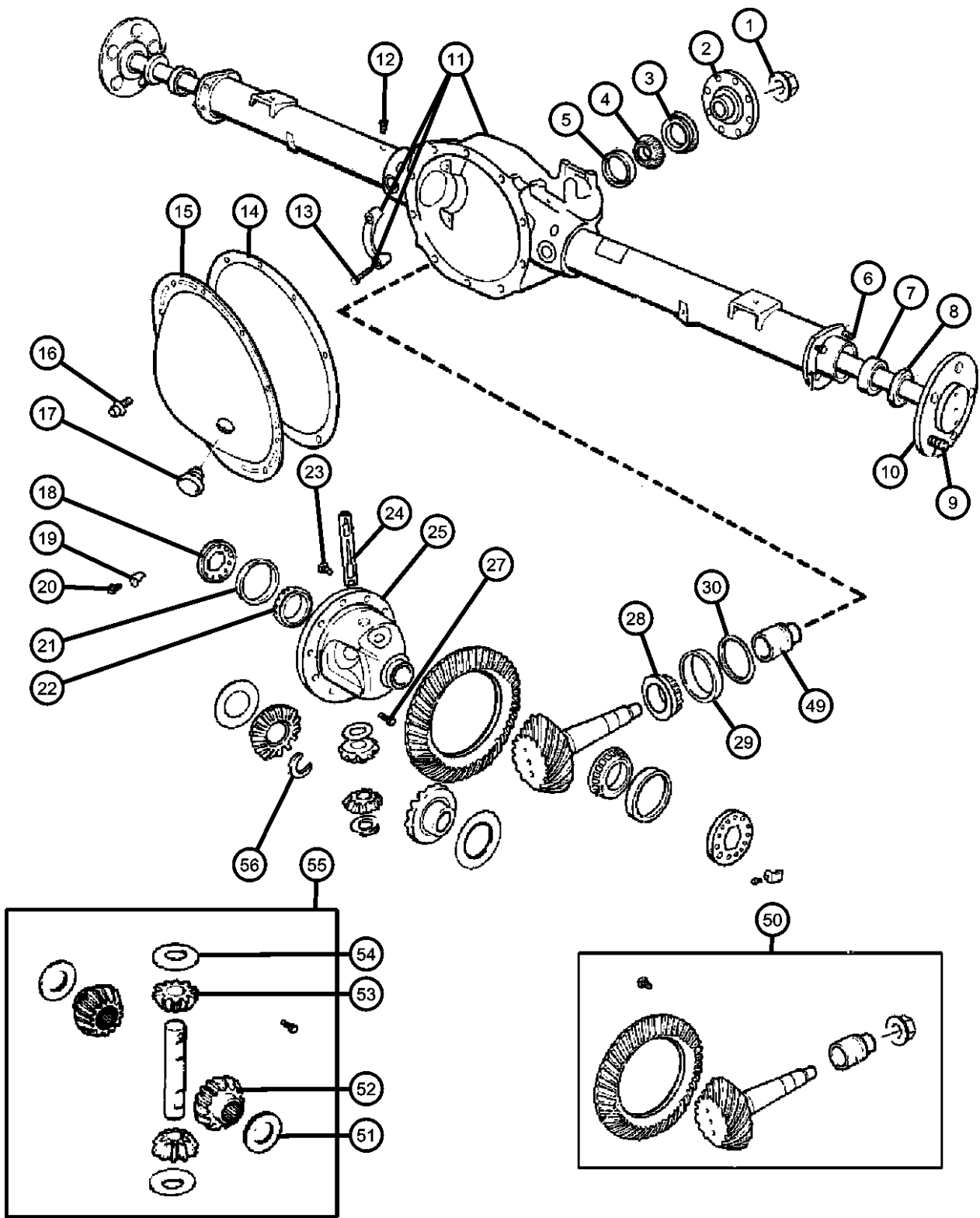
**BODY**  
 74 = SPORT UTILITY 4-DR

**ENGINE**  
 EKG = 3.7L V6 Engine  
 ENR = 2.8L 4 Cyl Turbo Diesel Engine  
 ENJ = 2.5L 4 Cyl 16V Turbo Diesel Engine  
 ED1 = 2.4L 4 Cyl DOHC 16V SMPI Engine

**TRANSMISSION**  
 DG6 = 4-Spd. Automatic 42RLE Transmission  
 DGV = 4-Spd. Automatic VLP Transmission  
 DGQ = 5-Spd Automatic 5-45RFE Transmission  
 DEH = 6-Speed Manual NSG370 Transmission  
 DDD = 5-Speed HD Manual Transmission  
 DDK = 5-Speed HD Manual Transmission

AR = use ase required - = Non illustrated part

Axle,Rear,with Differential and Housing,Corporate 8.25 [DRA]  
Figure 3-210



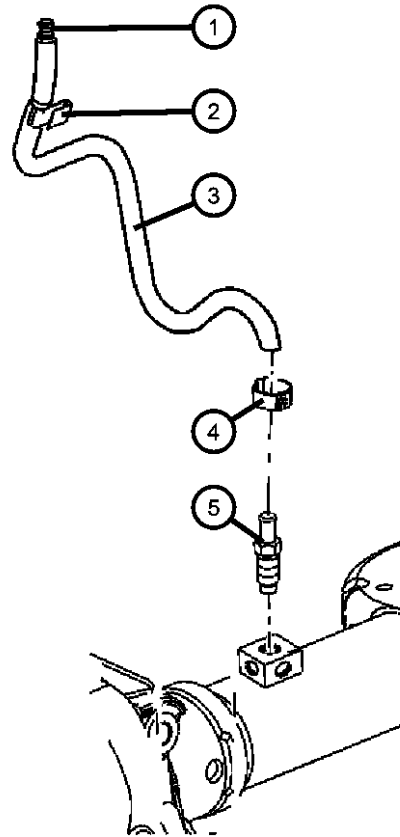
ITEM	PART NUMBER	QTY	LINE	SERIES	BODY	ENGINE	TRANS	TRIM	DESCRIPTION
52	04883085	1							GEAR, Differential, Serviced In Differential Gear Package, (NOT SERVICED)
53	04883085	1							PINION, Differential, Serviced In Differential Gear Package, (NOT SERVICED)
54	02852912	2							WASHER, Pinion GearThrust
55	04883087AB	1							GEAR PACKAGE, Differential
56	52069426	2							RETAINER, Axle Shaft

<b>LIBERTY (KJ)</b>				
SERIES	LINE	BODY	ENGINE	TRANSMISSION
H = HIGHLINE	T = JEEP - 2WD	74 = SPORT UTILITY 4-DR	EKG = 3.7L V6 Engine	DG6 = 4-Spd. Automatic 42RLE
M = MEDIUM	J = JEEP - 4WD		ENR = 2.8L 4 Cyl Turbo Diesel Engine	Transmission
P = PREMIUM	U = JEEP - 4WD (RHD)		ENJ = 2.5L 4 Cyl 16V Turbo Diesel Engine	DGV = 4-Spd. Automatic VLP
			ED1 = 2.4L 4 Cyl DOHC 16v SMPI Engine	Transmission
				DGQ = 5-Spd Automatic 5-45RFE
				Transmission
				DEH = 6-Speed Manual NSG370
				Transmission
				DDD = 5-Speed HD Manual
				Transmission
				DDK = 5-Speed HD Manual
				Transmission

AR = use ase required - = Non illustrated part

Vent,Rear Axle  
Figure 3-310

ITEM	PART NUMBER	QTY	LINE	SERIES	BODY	ENGINE	TRANS	TRIM	DESCRIPTION
1	J5352955	1							VENT, AxleUpper
2	06032633AB	1							CLIP, Vent Tube, Axle Vent Hose, Upper
3	HFV00516AB	1							HOSE, Fuel And Vapor, 25 Foot Roll 5/16"
4	06503573	1							CLAMP, Hose, To Axle Vent Bolt, Lower
5	04137696AB	1							BOLT, Axle Vent



LIBERTY (KJ)

SERIES      LINE  
H = HIGHLINE    T = JEEP - 2WD  
M = MEDIUM     J = JEEP - 4WD  
P = PREMIUM    U = JEEP - 4WD (RHD)

BODY  
74 = SPORT UTILITY 4-DR

ENGINE      TRANSMISSION  
EKG = 3.7L V6 Engine      DG6 = 4-Spd. Automatic 42RLE  
ENR = 2.8L 4 Cyl Turbo Diesel Engine      DGV = 4-Spd. Automatic VLP  
ENJ = 2.5L 4 Cyl 16V Turbo Diesel Engine      DGQ = 5-Spd Automatic 5-45RFE  
ED1 = 2.4L 4 Cyl DOHC 16v SMPI Engine      DEH = 6-Speed Manual NSG370  
Transmission  
DDD = 5-Speed HD Manual Transmission  
DDK = 5-Speed HD Manual Transmission

# Group - 4

## Parking Brake

### Group - 4 Parking Brake

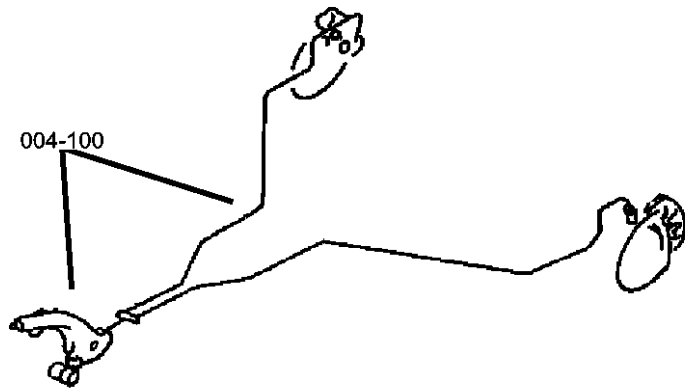
Illustration Title

Group-Fig. No.

#### Parking Brake Lever and Cables

Parking Brake Lever and Cables..... Fig. 4 - 110

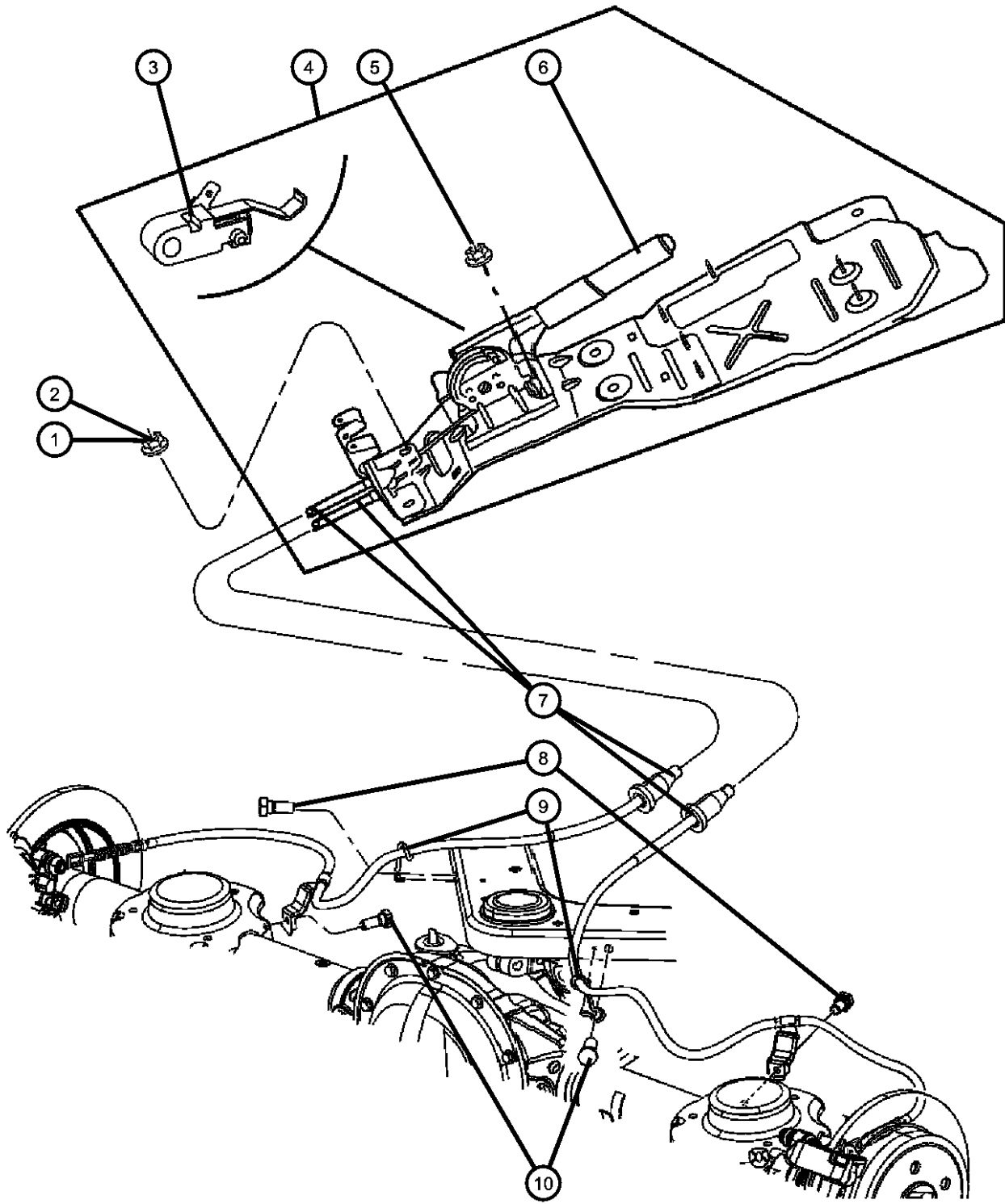
Parking Brake Assembly,Rear,Disc..... Fig. 4 - 120



**004-100**  
Parking Brake Lever and Cables



**Parking Brake Lever and Cables**  
**Figure 4-110**



ITEM	PART NUMBER	QTY	LINE	SERIES	BODY	ENGINE	TRANS	TRIM	DESCRIPTION
------	-------------	-----	------	--------	------	--------	-------	------	-------------

Note: Sales Codes;  
[DEH]=Transmission-6-Speed Manual NSG 370  
[DG0]=Transmissions - All Automatic

1	06505245AA	4							NUT, M8x1.25, Park Brake Sled to Floor Pan, Mounting
2	34201358	1							NUT AND WASHER, Hex Nut-Sealing Washer, M6 x 1.00, [DEH] Only-Park Brake Sled to Floor Pan, Mounting
3	05209922	1							SWITCH, Parking Brake
4									SLED, Parking Brake Lever
	52128916AC	1							[DEH]
	52128919AD	1							[DG0]
5	06502720	3							NUT, Hex Flange Lock, M8x1.25, Park Brake Lever to Sled, Mounting
6	52128860AC	1							LEVER, Park Brake, Includes Front Cable and Equalizer
7									CABLE, Parking Brake
	52128510AG	1							Right
	52128511AF	1							Left
8	52128511AF	1							SCREW, (NOT SERVICED)
9									CLIP, Cable Routing
	52128612AB	1							Holds Cable to UCA, Right
	52128613AB	1							Holds Cable to UCA, Left
10	52128613AB	1							SCREW, Hex Flange Head, M8x1.25x25.00, (NOT SERVICED),
-11	56021252	1							CLIP, Parking Brake Cable, Anti-Rotation Clip
-12	04793138	1							INSULATOR, 6 Way Male, Goes to Park Brake Switch

**LIBERTY (KJ)**

SERIES      LINE  
H = HIGHLINE    T = JEEP - 2WD  
M = MEDIUM     J = JEEP - 4WD  
P = PREMIUM    U = JEEP - 4WD (RHD)

BODY  
74 = SPORT UTILITY 4-DR

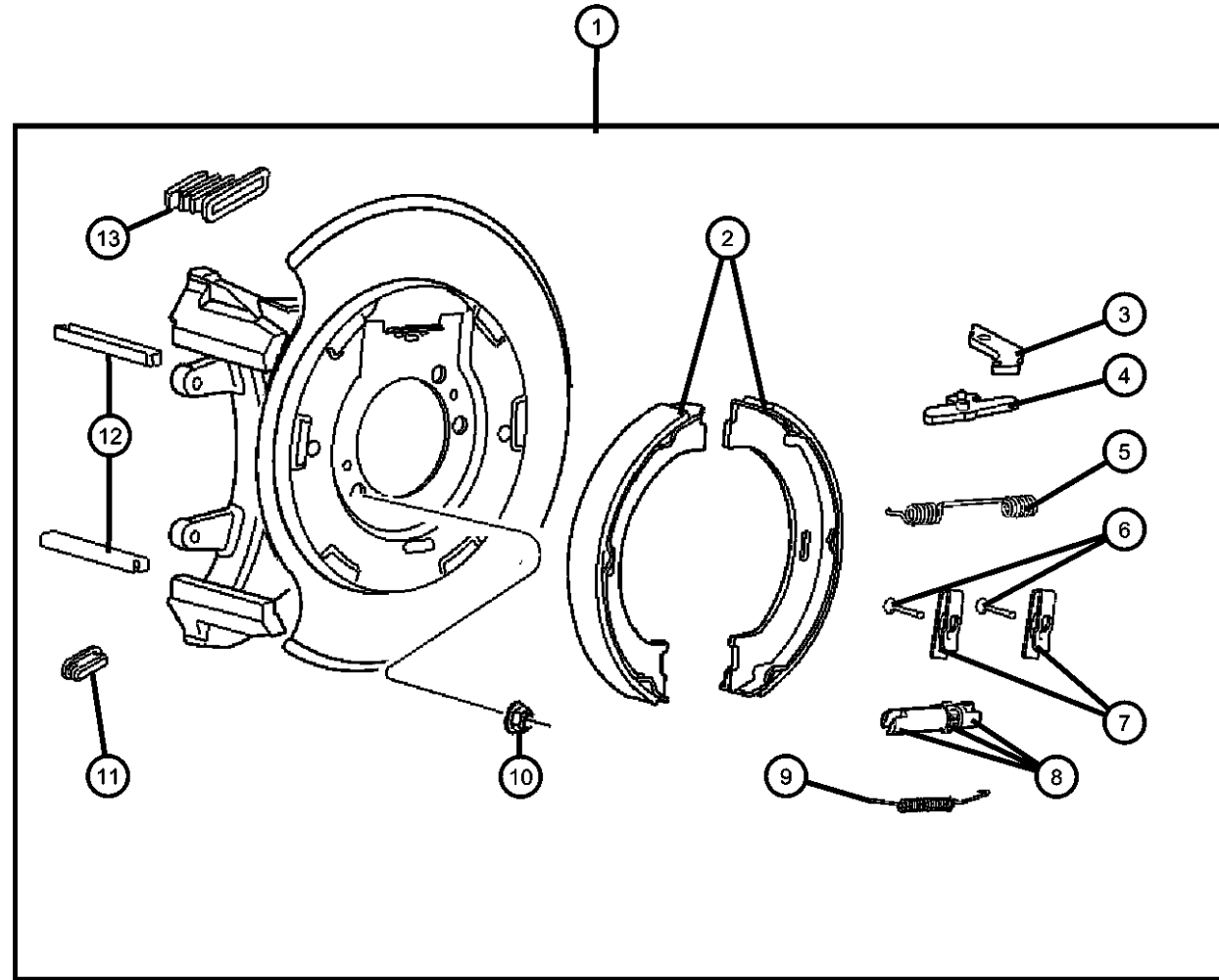
ENGINE  
EKG = 3.7L V6 Engine  
ENR = 2.8L 4 Cyl Turbo Diesel Engine  
ENJ = 2.5L 4 Cyl 16V Turbo Diesel Engine  
ED1 = 2.4L 4 Cyl DOHC 16v SMPI Engine

TRANSMISSION  
DG6 = 4-Spd. Automatic 42RLE Transmission  
DGV = 4-Spd. Automatic VLP Transmission  
DGQ = 5-Spd Automatic 5-45RFE Transmission  
DEH = 6-Speed Manual NSG370 Transmission  
DDD = 5-Speed HD Manual Transmission  
DDK = 5-Speed HD Manual Transmission

AR = use ase required    - = Non illustrated part

2006 KJ

**Parking Brake Assembly,Rear,Disc  
Figure 4-120**



ITEM	PART NUMBER	QTY	LINE	SERIES	BODY	ENGINE	TRANS	TRIM	DESCRIPTION
1									ADAPTER, Parking Brake
	52129176AA	1							Right
	52129177AA	1							Left
2	05093390AA	1							SHOE AND LINING KIT, Parking Brake, Complete Kit
	BHKP7328								Mopar Parking Brake Hardware Kit
3	05179288AA	1							LEVER, Park Brake Adjusting
4									LEVER, Park Brake
	05179290AA	1							Right
	05179291AA	1							Left
5	05179286AA	1							SPRING, Park Brake Shoe Return
6	04762126	2							PIN, Brake Shoe Hold Down
7	04762125	2							CLIP, Parking Brake Hold Down
8	05093391AA	1							ADJUSTER, Parking Brake
9	04762116	1							SPRING, Park Brake Shoe Return
10	06036159AA	8							NUT, Hex, .375-24, Parking Brake Adapter to Axle Housing, Mounting
11	04762121	1							PLUG, Brake Adjusting Hole
12	05093394AB	4							SLIPPER, Caliper
13	05093395AA	1							BOOT, Parking Brake Lever

**LIBERTY (KJ)**

SERIES      LINE  
H = HIGHLINE    T = JEEP - 2WD  
M = MEDIUM     J = JEEP - 4WD  
P = PREMIUM    U = JEEP - 4WD (RHD)

BODY  
74 = SPORT UTILITY 4-DR

ENGINE  
EKG = 3.7L V6 Engine  
ENR = 2.8L 4 Cyl Turbo Diesel Engine  
ENJ = 2.5L 4 Cyl 16V Turbo Diesel Engine  
ED1 = 2.4L 4 Cyl DOHC 16v SMPI Engine

TRANSMISSION  
DG6 = 4-Spd. Automatic 42RLE Transmission  
DGV = 4-Spd. Automatic VLP Transmission  
DGQ = 5-Spd Automatic 5-45RFE Transmission  
DEH = 6-Speed Manual NSG370 Transmission  
DDD = 5-Speed HD Manual Transmission  
DDK = 5-Speed HD Manual Transmission

AR = use ase required - = Non illustrated part



# Group - 5

## Service Brakes

### Group - 5 Service Brakes

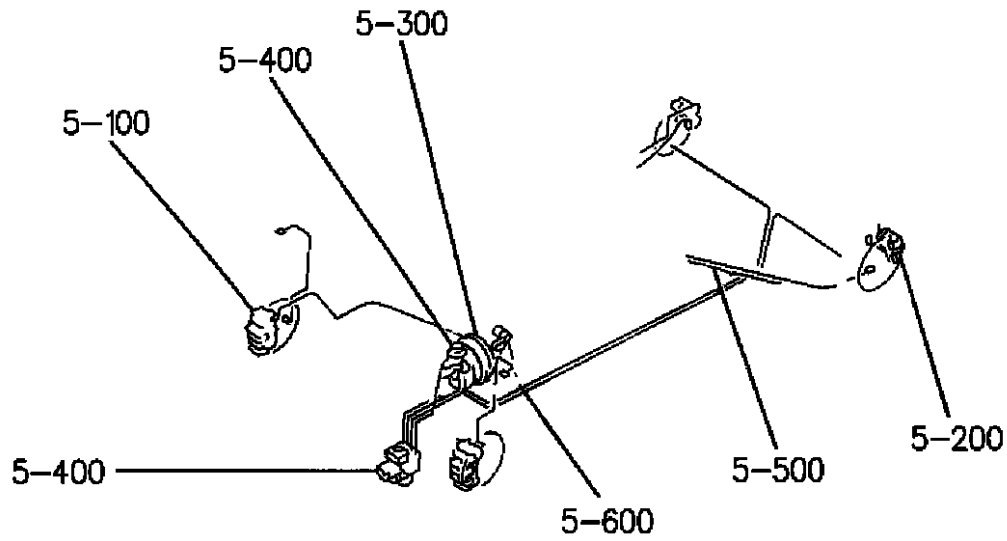


Illustration Title

Group-Fig. No.

#### Front Brakes

Brakes,Front..... Fig. 5 - 110

#### Rear Brakes

Brakes,Rear,Disc..... Fig. 5 - 210

#### Power Brake Booster

Booster,Power Brake ..... Fig. 5 - 310

#### Brake Master Cylinder

Master Cylinder,Brake ..... Fig. 5 - 410

#### Brake Lines and Hoses

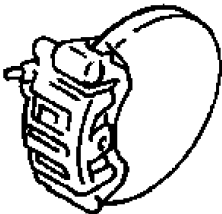

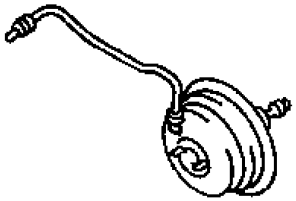
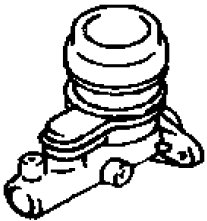


Brake Lines,Front,LHD ..... Fig. 5 - 510

Brake Lines,Front,RHD ..... Fig. 5 - 520

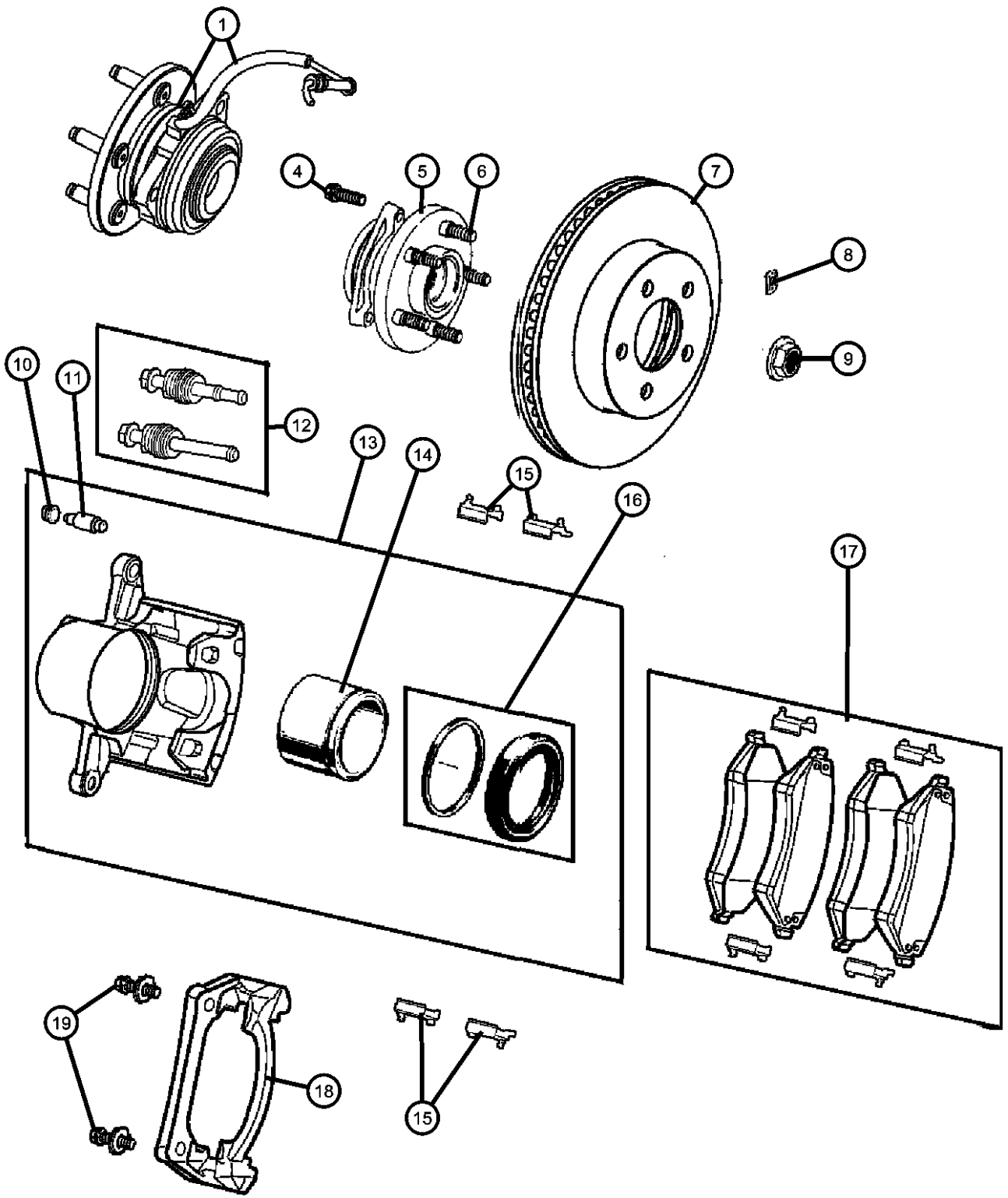
Brake Lines,Rear..... Fig. 5 - 530

#### Brake Pedals

Pedal,Brake..... Fig. 5 - 610

<p><b>005-100</b> Front Brakes</p> 	<p><b>005-200</b> Rear Brakes</p> 	<p><b>005-300</b> Power Brake Booster</p> 	<p><b>005-400</b> Brake Master Cylinder</p> 
<p><b>005-500</b> Brake Lines and Hoses</p> 	<p><b>005-600</b> Brake Pedals</p> 		

**Brakes,Front**  
**Figure 5-110**

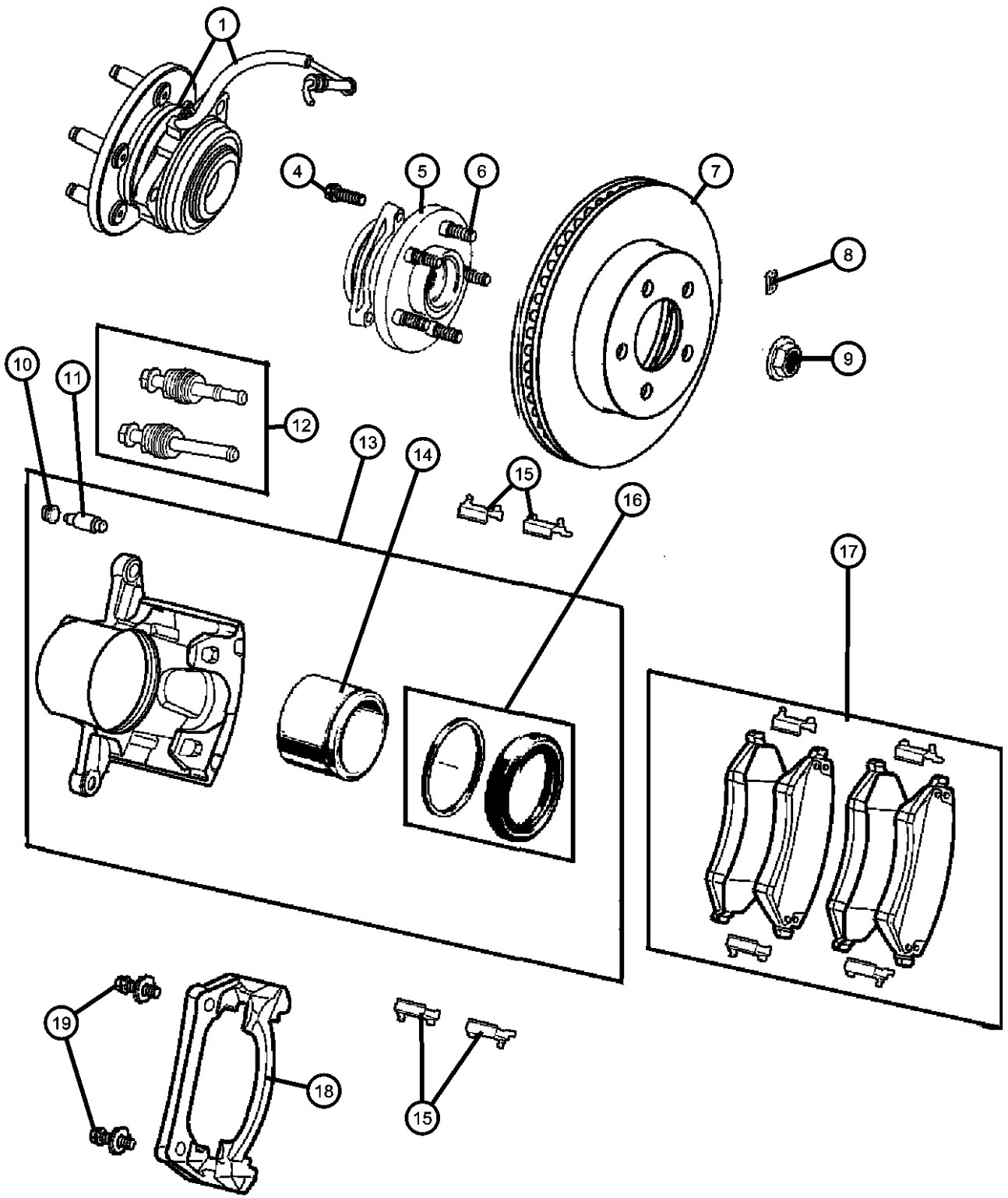


ITEM	PART NUMBER	QTY	LINE	SERIES	BODY	ENGINE	TRANS	TRIM	DESCRIPTION
Note:Sales Codes; [BRY]=Brakes - Anti-Lock 4 Wheel Disc									
1									SENSOR, Anti-Lock Brakes
	52128694AE	1	J, T						Right
	52128695AE	1	J, T						Left
-2	05175374AA	1	J, T		74				BOLT, ABS Sensor, Mounting
-3	06508833AA	1	J, T						CLIP, Wiring, Sensor Wire to Knuckle, Right or Left
4	06503088	3	J, T						BOLT, Knuckle to Bearing Attaching, M12 x 1.75 x 43.00Right or Left
5									HUB AND BEARING, Brake
	52128692AE	1	J, T						Right
	52128693AE	1	J, T						Left
6	06036388AA	5	J, T						BOLT, Hub and RotorRight or Left
7	52128247AA	1	J, T						ROTOR, BrakeRight or Left
	V5018247AB								Mopar V-Line Alternative Brake Rotors
8	06026430	1	J, T						NUT, Push, Brake Rotor Retainer
9	06506454AA	2	J, U						NUT, Hex, Halfshaft Retention
10	04238717	1	J, T						CAP, Bleeder
11	03780788	1	J, T						SCREW, Bleeder
12	05019987AA	1	J, T						PIN KIT, Disc BrakeRight or Left
13									CALIPER, Disc Brake
	05066422AA	1	J, T						Right
	VK642223AA								Mopar Loaded Brake Caliper Kit (2 Calipers, Brake Friction)
	05066423AA	1	J, T						Left
	VK642223AA								Mopar Loaded Brake Caliper Kit (2 Calipers, Brake Friction)
14	05066425AA	1	J, T						PISTON, Brake
15	05019985AB	1	J, T						CLIP PACKAGE, Contains 4 Clips
16	05066426AA	1	J, T						BOOT AND SEAL, Disc Brake
17									PAD KIT, Front Disc Brake

<b>LIBERTY (KJ)</b>				
SERIES	LINE	BODY	ENGINE	TRANSMISSION
H = HIGHLINE	T = JEEP - 2WD	74 = SPORT UTILITY 4-DR	EKG = 3.7L V6 Engine	DG6 = 4-Spd. Automatic 42RLE
M = MEDIUM	J = JEEP - 4WD		ENR = 2.8L 4 Cyl Turbo Diesel Engine	Transmission
P = PREMIUM	U = JEEP - 4WD (RHD)		ENJ = 2.5L 4 Cyl 16V Turbo Diesel Engine	DGV = 4-Spd. Automatic VLP
			ED1 = 2.4L 4 Cyl DOHC 16v SMPI Engine	Transmission
				DGQ = 5-Spd Automatic 5-45RFE
				Transmission
				DEH = 6-Speed Manual NSG370
				Transmission
				DDD = 5-Speed HD Manual
				Transmission
				DDK = 5-Speed HD Manual
				Transmission

AR = use ase required - = Non illustrated part

Brakes,Front  
Figure 5-110

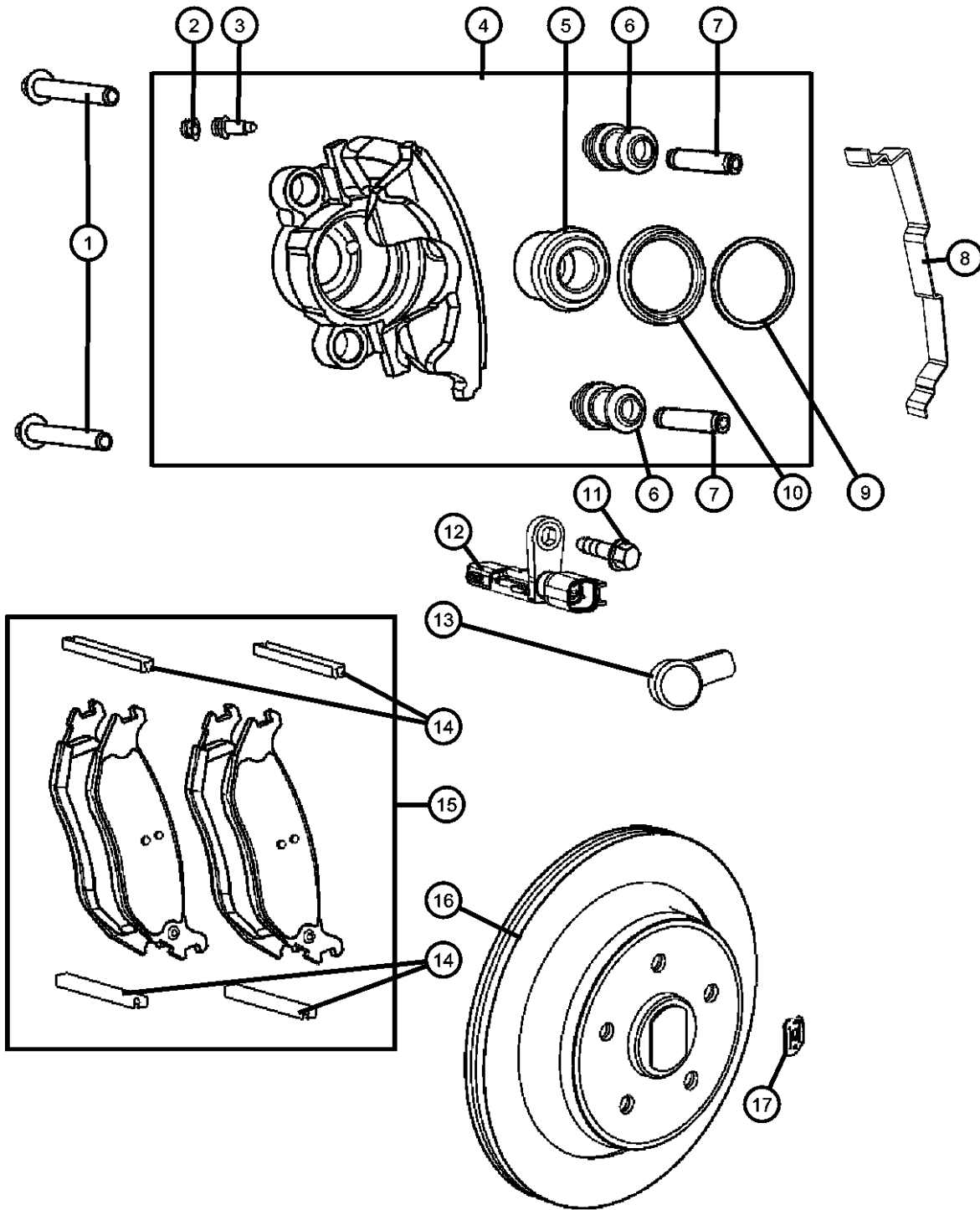


ITEM	PART NUMBER	QTY	LINE	SERIES	BODY	ENGINE	TRANS	TRIM	DESCRIPTION
	05066427AA	1	J, T		74				C,M,U Markets
	VKJ08247								Make It New Brake Kits
	V3016427								Mopar V-Line Alternative Part Ceramic
	VOE08247								Make It Original Brake Kit
	VCKJ8247								Make It Ceramic Brake Kit
	V1013427								Mopar V-Line Alternative Part
	BHKH5665								Mopar V-Line Alternative Part Disc Hardware
	BHKH5082								Mopar V-Line Alternative Part Caliper Bolts
	VK642223AA								Mopar Loaded Brake Caliper Kit (2 Calipers, Brake Friction)
	05096349AA	1	J, U		74				B Markets
	BHKH5665								Mopar V-Line Alternative Part Disc Hardware
	BHKH5082								Mopar V-Line Alternative Part Caliper Bolts
	V1016349								Mopar V-Line Alternative Part
18	05066428AA	1	J, T						ADAPTER, Disc Brake CaliperRight or Left
19	06102149AA	2	J, T						BOLT, Caliper to Adapter, Mounting

LIBERTY (KJ)  
 SERIES LINE BODY ENGINE TRANSMISSION  
 H = HIGHLINE T = JEEP - 2WD 74 = SPORT UTILITY 4-DR EKG = 3.7L V6 Engine DG6 = 4-Spd. Automatic 42RLE  
 M = MEDIUM J = JEEP - 4WD ENR = 2.8L 4 Cyl Turbo Diesel Engine Transmission  
 P = PREMIUM U = JEEP - 4WD (RHD) ENJ = 2.5L 4 Cyl 16V Turbo Diesel Engine DGV = 4-Spd. Automatic VLP  
 Diesel Engine DGQ = 5-Spd Automatic 5-45RFE  
 ED1 = 2.4L 4 Cyl DOHC 16v Transmission  
 SMPI Engine DEH = 6-Speed Manual NSG370  
 Transmission  
 DDD = 5-Speed HD Manual  
 Transmission  
 DDK = 5-Speed HD Manual  
 Transmission

AR = use ase required - = Non illustrated part

Brakes,Rear,Disc  
Figure 5-210



ITEM	PART NUMBER	QTY	LINE	SERIES	BODY	ENGINE	TRANS	TRIM	DESCRIPTION
1	06507603AA	4							PIN, Caliper
2	05093278AA	1							CAP, Bleeder
3	05179732AA	1							BLEEDER SCREW, Brake
4	05179730AA VK327479AA	1							CALIPER, Disc Brake Right Mopar Loaded Brake Caliper Kit (2 Calipers, Brake Friction)
	05179731AA VK327479AA	1							Left Mopar Loaded Brake Caliper Kit (2 Calipers, Brake Friction)
5	05093275AA	1							PISTON, Brake
6	04762106	2							BUSHING, Caliper
7	05179733AA	2							SLEEVE, Brake Caliper
8	52128868AB	2	J, T, U		74				STRAP, Caliper Spring
9	05093276AA	1							SEAL, Caliper Piston
10	05093277AA	1							BOOT, Brake Piston
11	06105036AA	2							SCREW AND WASHER, Hex Head, M6x1x16
12	52129178AB	2							SENSOR, Wheel Speed
13	05179287AA	1							COVER, SensorRight or Left
14	05093394AB	4							SLIPPER, Caliper
15	05083882AF V4010981 V2013882 VRKJ3882AA	1	J, T, U		74				PAD KIT, Disc Brake Mopar V-Line Alternative Part Ceramic Mopar V-Line Alternative Part Make it New Rear (Up to 4-18-05)
16	52128411AB	2							ROTOR, Brake
17	06026430	4							NUT, Push

LIBERTY (KJ)

SERIES LINE  
H = HIGHLINE T = JEEP - 2WD  
M = MEDIUM J = JEEP - 4WD  
P = PREMIUM U = JEEP - 4WD (RHD)

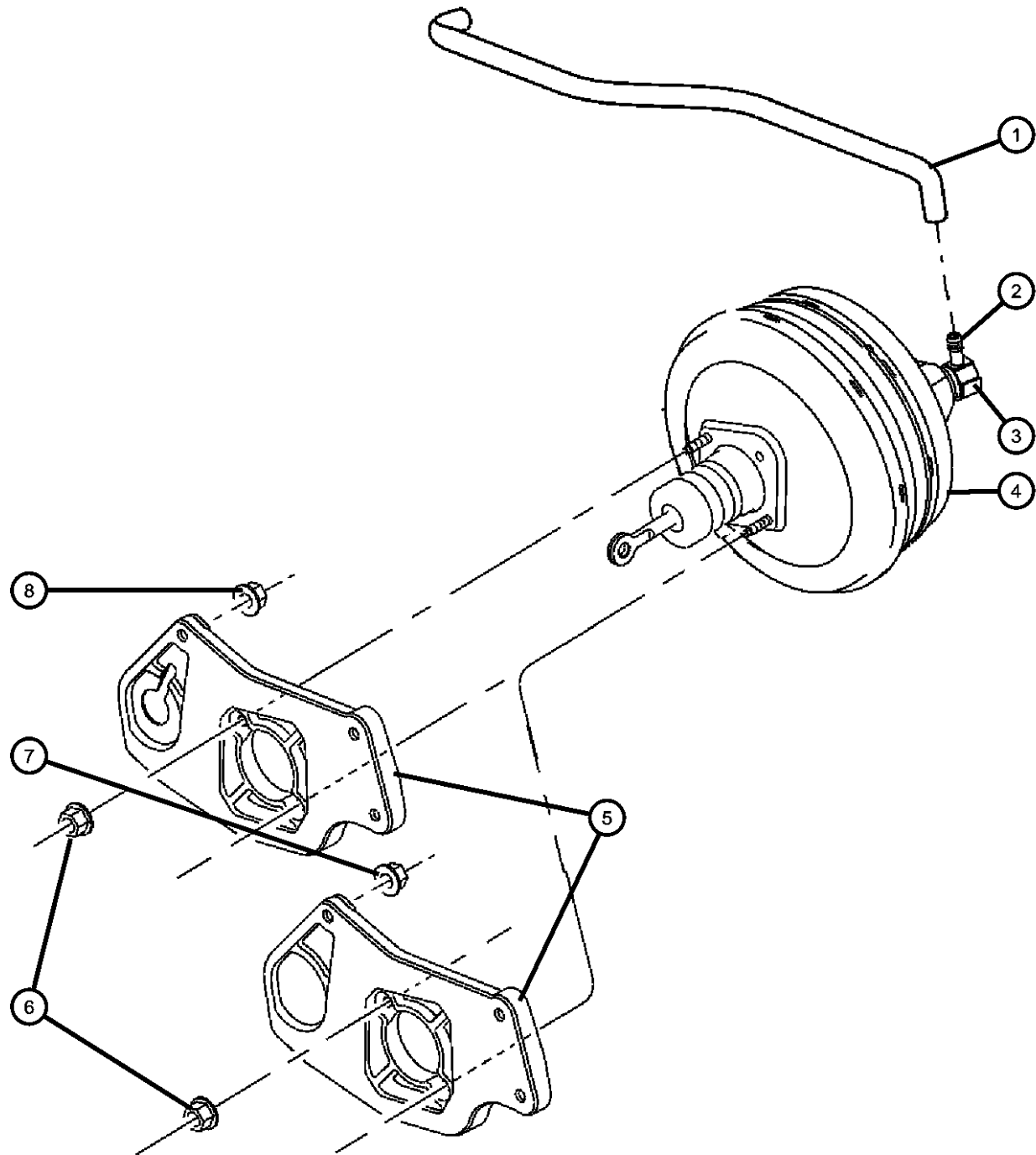
BODY  
74 = SPORT UTILITY 4-DR

ENGINE TRANSMISSION  
EKG = 3.7L V6 Engine DG6 = 4-Spd. Automatic 42RLE  
ENR = 2.8L 4 Cyl Turbo Diesel Transmission  
Engine DGV = 4-Spd. Automatic VLP  
ENJ = 2.5L 4 Cyl 16V Turbo Transmission  
Diesel Engine DGQ = 5-Spd Automatic 5-45RFE  
ED1 = 2.4L 4 Cyl DOHC 16v Transmission  
SMPI Engine DEH = 6-Speed Manual NSG370  
Transmission  
DDD = 5-Speed HD Manual  
Transmission  
DDK = 5-Speed HD Manual  
Transmission

AR = use ase required - = Non illustrated part

2006 KJ

**Booster,Power Brake  
Figure 5-310**



ITEM	PART NUMBER	QTY	LINE	SERIES	BODY	ENGINE	TRANS	TRIM	DESCRIPTION
------	-------------	-----	------	--------	------	--------	-------	------	-------------

Note: Sales Codes;  
 [DBB]=Transmissions - All Manual  
 [DG0]=Transmissions - All Automatic  
 [EK0]=Engines - All 3.7L 6 Cylinder Gas  
 [EN0]=Engines - All 4/5 Cylinder Turbo Diesel

1	52128314AE	1	U						HOSE, Vacuum Supply [EK0]-Engine To Booster
	52128316AF	1	U						[EN0]-Engine To Booster
	52128318AC	1	J, T						[EK0]-Engine To Booster
	52128370AA	1	J, T						[EN0]-Engine To Booster
2	05103338AA	1	U						CAP, Vacuum Port
		1	J, T						
3	05072522AA	1	U						VALVE, Vacuum Check
		1	J, T						
4	05134120AA	1	U						BOOSTER, Power Brake
		1	J, T						
5	52128353AC	1	J, T						BRACKET, Brake Booster [DBB], Mounting
	52128356AC	1	U						[DBB], Mounting
	52128730AA	1	J, T						[DG0], Mounting
	52128731AA	1	U						[DG0], Mounting
6	06506386AA	2							NUT, Hex Flange With Serration, Brake Booster to Actuator Mounting Bracket, Mounting
7	06504175	3	J, T						NUT AND WASHER, Hex, M8x1.25 Actuator Mounting Bracket to Dash Panel, Mounting

**LIBERTY (KJ)**

SERIES	LINE
H = HIGHLINE	T = JEEP - 2WD
M = MEDIUM	J = JEEP - 4WD
P = PREMIUM	U = JEEP - 4WD (RHD)

BODY  
74 = SPORT UTILITY 4-DR

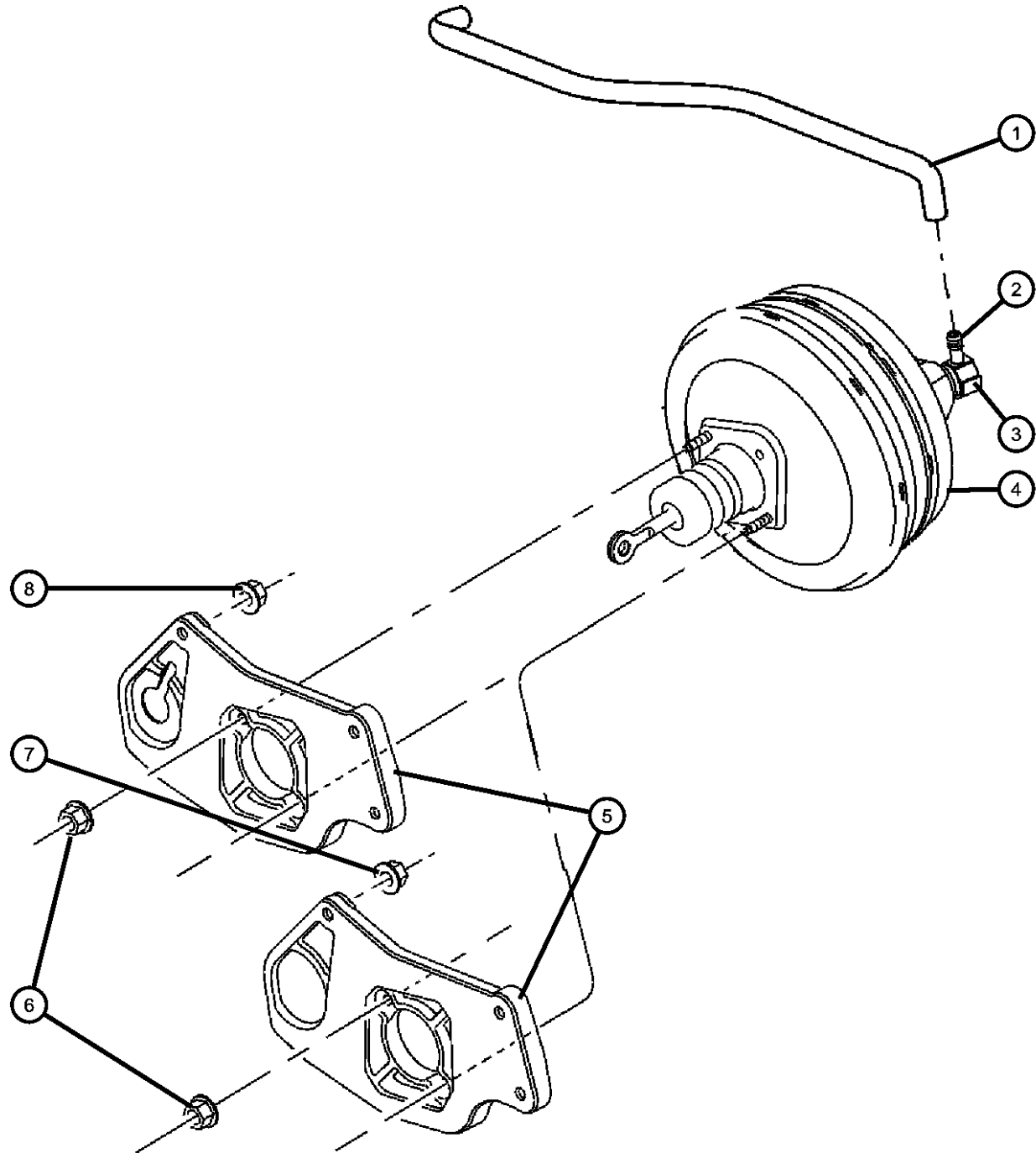
ENGINE	TRANSMISSION
EKG = 3.7L V6 Engine	DG6 = 4-Spd. Automatic 42RLE
ENR = 2.8L 4 Cyl Turbo Diesel Engine	Transmission
ENJ = 2.5L 4 Cyl 16V Turbo Diesel Engine	DGV = 4-Spd. Automatic VLP
ED1 = 2.4L 4 Cyl DOHC 16v SMPI Engine	Transmission
	DGQ = 5-Spd Automatic 5-45RFE
	Transmission
	DEH = 6-Speed Manual NSG370
	Transmission
	DDD = 5-Speed HD Manual
	Transmission
	DDK = 5-Speed HD Manual
	Transmission

AR = use ase required - = Non illustrated part

2006 KJ

**Booster,Power Brake  
Figure 5-310**

ITEM	PART NUMBER	QTY	LINE	SERIES	BODY	ENGINE	TRANS	TRIM	DESCRIPTION
------	-------------	-----	------	--------	------	--------	-------	------	-------------



		2	U						Actuator Mounting Bracket to Dash Panel, Mounting
8	06506386AA	1	U						NUT, Hex Flange With Serration, Actuator Mounting Bracket to Dash Panel, Mounting

**LIBERTY (KJ)**

SERIES	LINE
H = HIGHLINE	T = JEEP - 2WD
M = MEDIUM	J = JEEP - 4WD
P = PREMIUM	U = JEEP - 4WD (RHD)

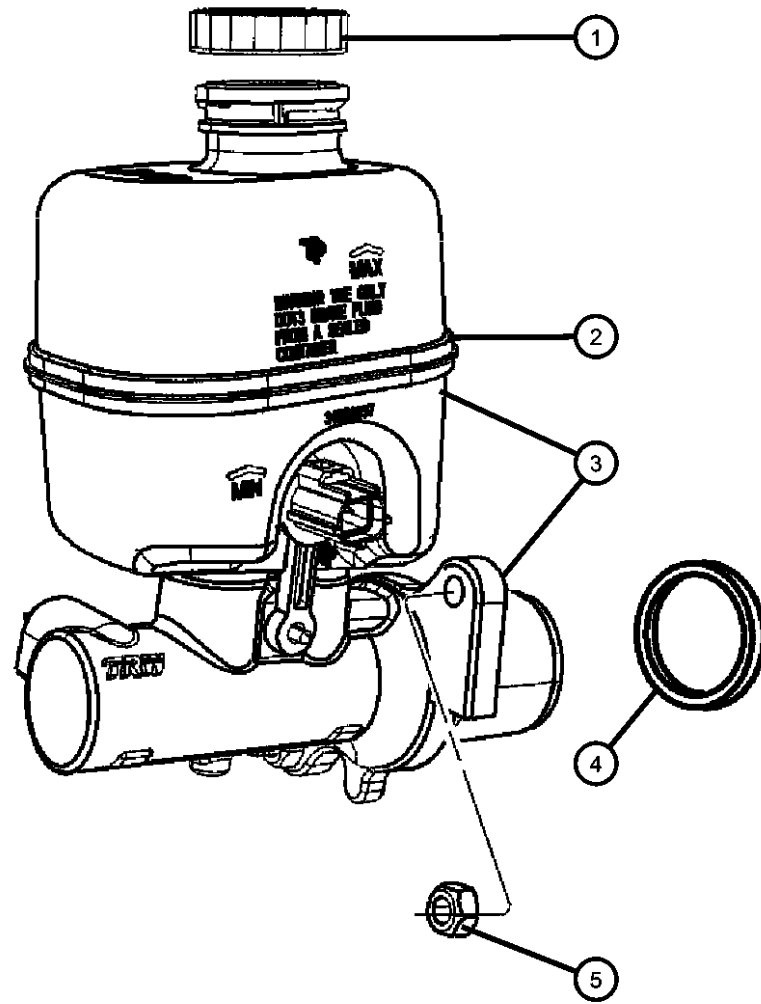
BODY
74 = SPORT UTILITY 4-DR

ENGINE	TRANSMISSION
EKG = 3.7L V6 Engine	DG6 = 4-Spd. Automatic 42RLE
ENR = 2.8L 4 Cyl Turbo Diesel Engine	Transmission
ENJ = 2.5L 4 Cyl 16V Turbo Diesel Engine	DGV = 4-Spd. Automatic VLP
ED1 = 2.4L 4 Cyl DOHC 16v SMPI Engine	Transmission
	DGQ = 5-Spd Automatic 5-45RFE
	Transmission
	DEH = 6-Speed Manual NSG370
	Transmission
	DDD = 5-Speed HD Manual
	Transmission
	DDK = 5-Speed HD Manual
	Transmission

AR = use ase required - = Non illustrated part

2006 KJ

Master Cylinder, Brake  
Figure 5-410



ITEM	PART NUMBER	QTY	LINE	SERIES	BODY	ENGINE	TRANS	TRIM	DESCRIPTION
1	04683656	1	U						CAP, Master Cylinder Reservoir
2		1	J, T						RESERVOIR, Brake Master Cylinder, Order Item 3, (NOT SERVICED)
3	05189226AA	1	U						MASTER CYLINDER, Brake
	05189227AA	1	J, T						With Reservoir, Cap and Sensor
4	05139151AA	1	U		74				SEAL, Master Cylinder To Booster
		1	J, T		74				Mounting
5	05072523AA	2	U						NUT
		2	J, T						Master Cylinder to Booster, Mounting
									Master Cylinder to Booster, Mounting

LIBERTY (KJ)

SERIES LINE  
H = HIGHLINE T = JEEP - 2WD  
M = MEDIUM J = JEEP - 4WD  
P = PREMIUM U = JEEP - 4WD (RHD)

BODY  
74 = SPORT UTILITY 4-DR

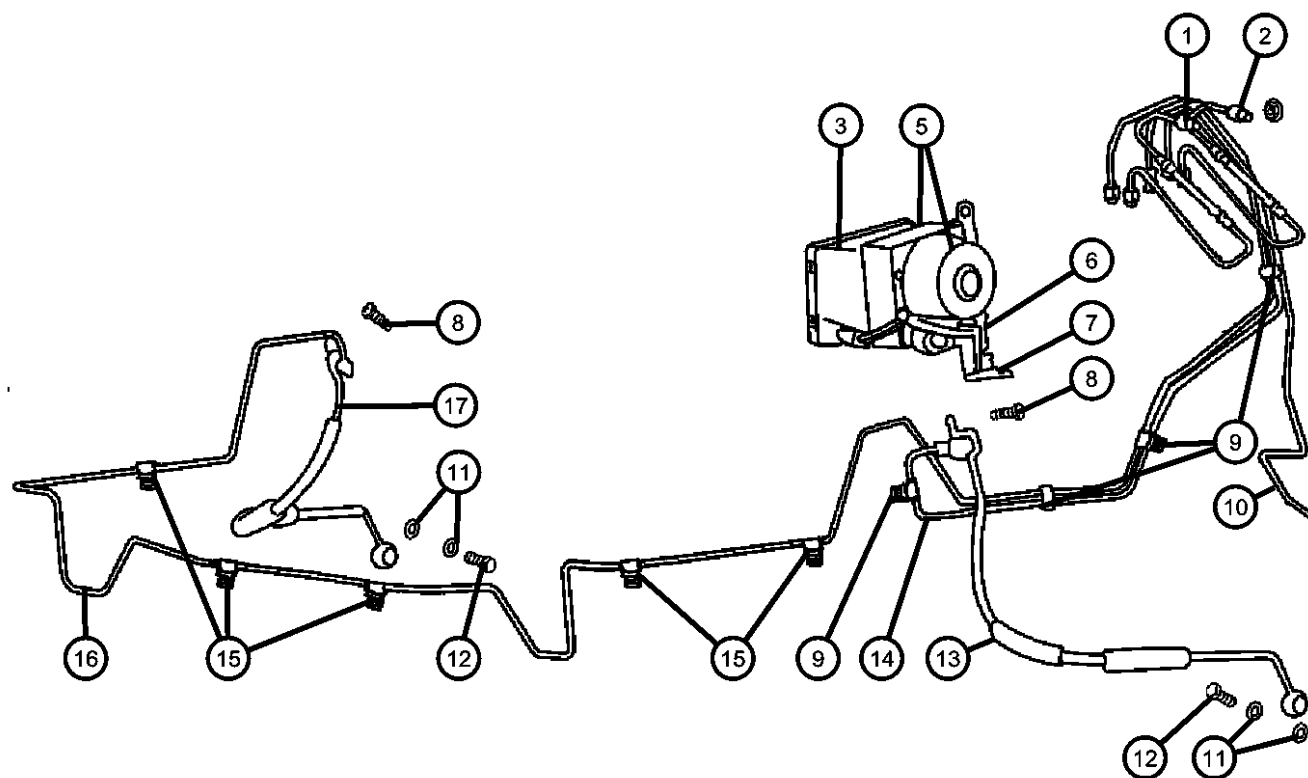
ENGINE TRANSMISSION  
EKG = 3.7L V6 Engine DG6 = 4-Spd. Automatic 42RLE  
ENR = 2.8L 4 Cyl Turbo Diesel Transmission  
Engine DGV = 4-Spd. Automatic VLP  
ENJ = 2.5L 4 Cyl 16V Turbo Transmission  
Diesel Engine DGQ = 5-Spd Automatic 5-45RFE  
ED1 = 2.4L 4 Cyl DOHC 16v Transmission  
SMPI Engine DEH = 6-Speed Manual NSG370  
Transmission  
DDD = 5-Speed HD Manual  
Transmission  
DDK = 5-Speed HD Manual  
Transmission

AR = use ase required - = Non illustrated part

2006 KJ

**Brake Lines,Front,LHD**  
**Figure 5-510**

ITEM	PART NUMBER	QTY	LINE	SERIES	BODY	ENGINE	TRANS	TRIM	DESCRIPTION
Note: Sales Codes: [EK0]=Engines - All 3.7L 6 Cylinder Gas [EN0]=Engines - All 4/5 Cylinder Turbo Diesel									
1	52129304AA	1	J, T						TUBE, Brake, Master Cylinder to HCU, Primary
2	52129305AA	1	J, T						TUBE, Brake, Master Cylinder to HCU, Secondary
3	05179773AA	1							MODULE, Anti-lock Brakes
-4	05159024AA	1							O RING, Mounts Item 3 to Item 5
5	05179771AA	1							CONTROL UNIT, Anti-Lock Brake
6	05179772AA	1							BRACKET, Hydraulic Control UnitMounting
7	06100048	2							NUT, Hex, M6x1.00, ABS Module Retention, Mounting
8	06505446AA	2							SCREW, Brake Hose to Wheel House, Mounting
9	04582074	3							CLIP, Fuel Bundle, 2 Way
10									BUNDLE, Fuel and Brake Tube
	52129255AB	1							[EK0] HCU to Rear Brake Hose, Chassis
	52129326AB	1							[EN0] HCU to Rear Brake Hose, Chassis
11	06035886	4							GASKET, Brake Hose To CaliperMounting
12	06035832	2							BOLT, Banjo, To Caliper, Mounting
13	52128311AA	1							HOSE, BrakeLeft
14	52129401AA	1							TUBE, Brake, HCU to Brake Hose, Left
15	52128409AA	5							CLIP, Brake Line, 1 Way, Mounting
16	52128934AD	1							TUBE, Brake, HCU to Brake Hose, Right
17	52128312AA	1							HOSE, BrakeRight
-18	05191002AA	1							SCREW, Hex Head, HCU, Mounting



**LIBERTY (KJ)**

SERIES      LINE  
H = HIGHLINE    T = JEEP - 2WD  
M = MEDIUM      J = JEEP - 4WD  
P = PREMIUM      U = JEEP - 4WD (RHD)

BODY  
74 = SPORT UTILITY 4-DR

ENGINE  
EK6 = 3.7L V6 Engine  
ENR = 2.8L 4 Cyl Turbo Diesel Engine  
ENJ = 2.5L 4 Cyl 16V Turbo Diesel Engine  
ED1 = 2.4L 4 Cyl DOHC 16v SMPI Engine

TRANSMISSION  
DG6 = 4-Spd. Automatic 42RLE Transmission  
DGV = 4-Spd. Automatic VLP Transmission  
DGQ = 5-Spd Automatic 5-45RFE Transmission  
DEH = 6-Speed Manual NSG370 Transmission  
DDD = 5-Speed HD Manual Transmission  
DDK = 5-Speed HD Manual Transmission

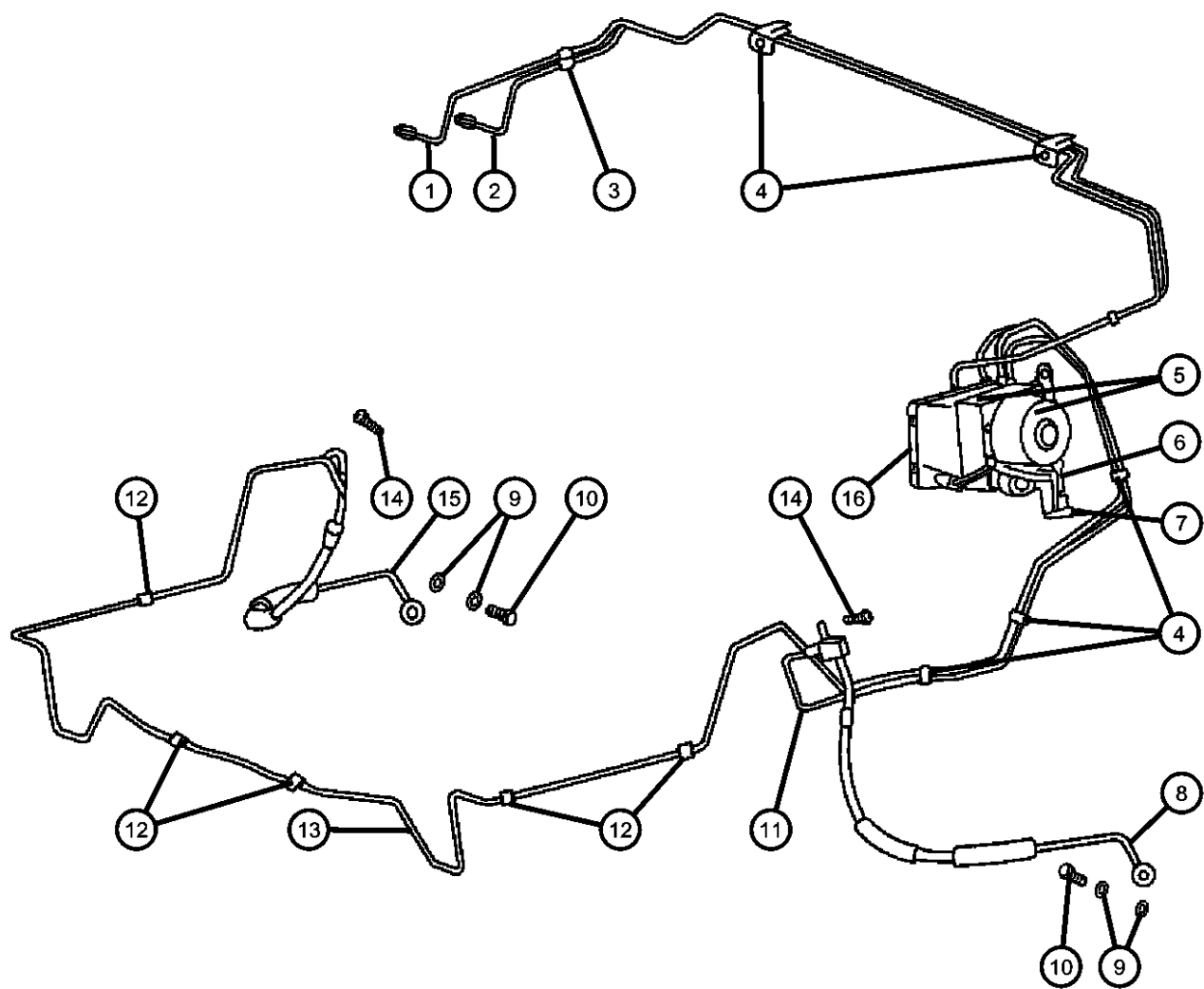
AR = use ase required - = Non illustrated part



**Brake Lines,Front,RHD**  
**Figure 5-520**

ITEM	PART NUMBER	QTY	LINE	SERIES	BODY	ENGINE	TRANS	TRIM	DESCRIPTION
------	-------------	-----	------	--------	------	--------	-------	------	-------------

Note: Sales Codes;  
[EK0]=Engines - All 3.7L 6 Cylinder Gas  
[EN0]=Engines - All 4/5 Cylinder Turbo Diesel



1	52129366AA	1	U						TUBE, Brake, Master Cylinder to HCU, Secondary
2	52129361AA	1	U						TUBE, Brake, Master Cylinder to HCU, Primary
3	05183887AA	1	U						BUMPER, Rubber
4	52128405AB	2	U						CLIP, Brake Line, 4-Way to Plenum, Mounting
5	05179771AA	1							CONTROL UNIT, Anti-Lock Brake
6	05179772AA	1							BRACKET, Hydraulic Control Unit
7	06100048	2							NUT, Hex, M6x1.00, ABS Module Retention, Mounting
8	52128311AA	1							HOSE, BrakeLeft
9	06035886	4							GASKET, Brake Hose To CaliperMounting
10	06035832	2							BOLT, Banjo, To Caliper, Mounting
11	52129401AA	1							TUBE, Brake, HCU to Brake Hose, Left
12	52128409AA	5							CLIP, Brake Line, 1-Way, Mounting
13	52128934AD	1							TUBE, Brake, HCU to Brake Hose, Right
14	06505446AA	2							SCREW, Brake Hose to Wheel House, Mounting
15	52128312AA	1							HOSE, BrakeRight
16	05179773AA	1							MODULE, Anti-lock Brakes
-17									BUNDLE, Fuel and Brake Tube
	52129255AC	1							[EK0]
	52129326AC	1							[EN0]

**LIBERTY (KJ)**

SERIES      LINE  
H = HIGHLINE    T = JEEP - 2WD  
M = MEDIUM     J = JEEP - 4WD  
P = PREMIUM    U = JEEP - 4WD (RHD)

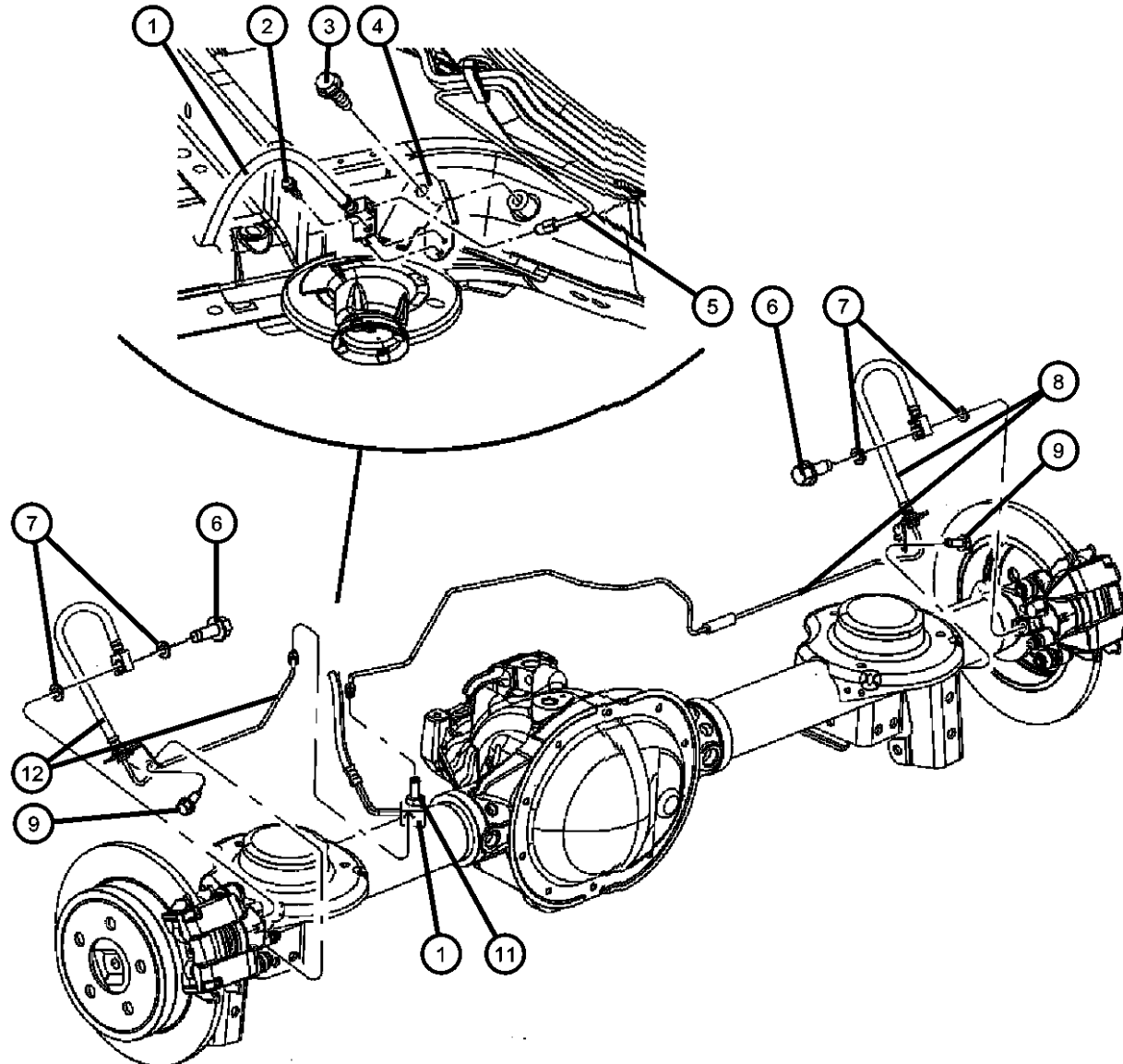
BODY  
74 = SPORT UTILITY 4-DR

ENGINE      TRANSMISSION  
EKG = 3.7L V6 Engine      DG6 = 4-Spd. Automatic 42RLE  
ENR = 2.8L 4 Cyl Turbo Diesel Engine      Transmission  
ENJ = 2.5L 4 Cyl 16V Turbo Diesel Engine      DGV = 4-Spd. Automatic VLP  
ED1 = 2.4L 4 Cyl DOHC 16v SMPI Engine      Transmission  
DGQ = 5-Spd Automatic 5-45RFE  
DEH = 6-Speed Manual NSG370  
Transmission  
DDD = 5-Speed HD Manual  
Transmission  
DDK = 5-Speed HD Manual  
Transmission

AR = use ase required - = Non illustrated part

2006 KJ

**Brake Lines,Rear**  
**Figure 5-530**



ITEM	PART NUMBER	QTY	LINE	SERIES	BODY	ENGINE	TRANS	TRIM	DESCRIPTION
Note: Sales Codes; [EK0]=All 3.7L 6-Cylinder Gas Engines [EN0]=Engines - All 4/5 Cylinder Turbo Diesel									
1	52129260AA	1							HOSE, Brake
2	06503343	1							SCREW, Brake Hose to Brake Hose Bracket, Mounting
3	06508267AA	1							BOLT, [EN0] Brake Hose Bracket to Left Rail, Mounting
4	52128480AC	1							BRACKET, Brake Hose, [EN0]
5									BUNDLE, Fuel and Brake Tube
	52129255AC	1							[EK0], Chassis
	52129326AC	1							[EN0], Chassis
6	06035832	2							BOLT, Banjo, To Caliper, Mounting
7	06035886	4							GASKET, Brake Hose To CaliperMounting
8	52128514AD	1							HOSE, BrakeRight
9	52128514AD	1							SCREW, Hex Flange Head, Brake Hose Bracket to Spring Seat, (NOT SERVICED)
-10	06101809	AR							NUT AND WASHER, Hex, M8x1.25, This is a repair part for item 9
11	04137696AB	1							BOLT, Axle Vent
12	52129261AB	1							HOSE, BrakeLeft

**LIBERTY (KJ)**

SERIES      LINE  
H = HIGHLINE    T = JEEP - 2WD  
M = MEDIUM      J = JEEP - 4WD  
P = PREMIUM      U = JEEP - 4WD (RHD)

BODY  
74 = SPORT UTILITY 4-DR

ENGINE  
EK0 = 3.7L V6 Engine  
ENR = 2.8L 4 Cyl Turbo Diesel Engine  
ENJ = 2.5L 4 Cyl 16V Turbo Diesel Engine  
ED1 = 2.4L 4 Cyl DOHC 16v SMPI Engine

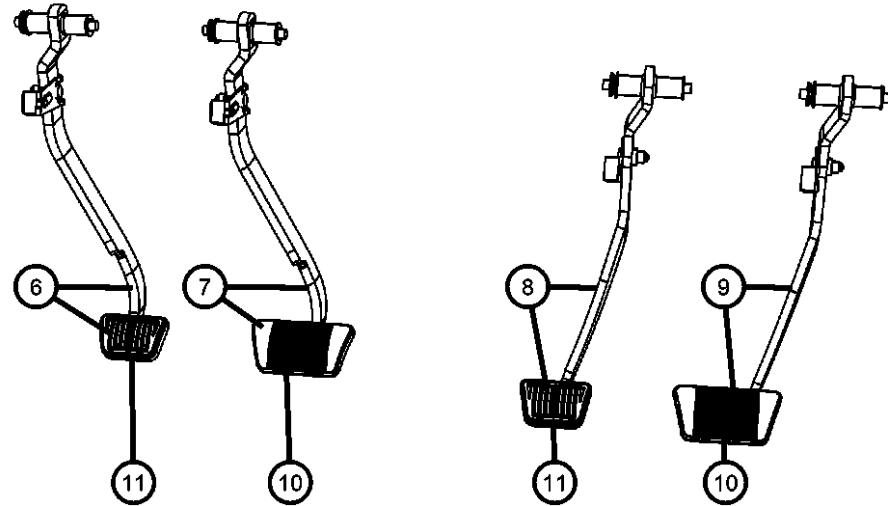
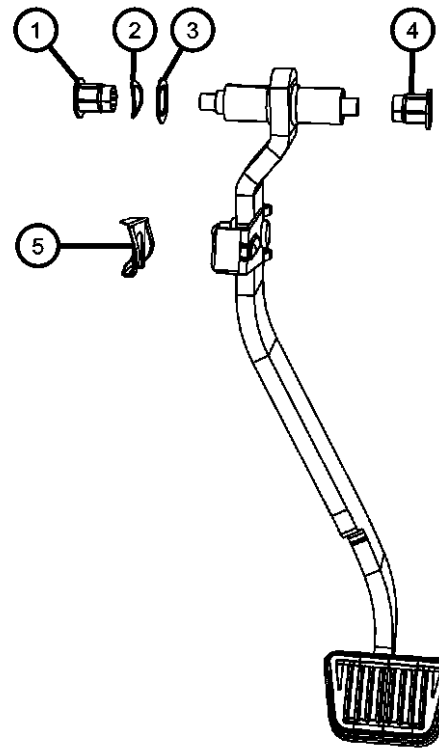
TRANSMISSION  
DG6 = 4-Spd. Automatic 42RLE Transmission  
DGV = 4-Spd. Automatic VLP Transmission  
DGQ = 5-Spd Automatic 5-45RFE Transmission  
DEH = 6-Speed Manual NSG370 Transmission  
DDD = 5-Speed HD Manual Transmission  
DDK = 5-Speed HD Manual Transmission

AR = use ase required - = Non illustrated part

2006 KJ

**Pedal,Brake**  
**Figure 5-610**

ITEM	PART NUMBER	QTY	LINE	SERIES	BODY	ENGINE	TRANS	TRIM	DESCRIPTION
------	-------------	-----	------	--------	------	--------	-------	------	-------------



Note:Sales Codes;  
DBB=Transmissions - All Manual  
DG0=Transmissions - All Automatic

1	52129261AB	1							BUSHING, Pedal shaft sliding, Purchase Pedal Assembly, (NOT SERVICED)
2	52129261AB	1							WASHER, Wave, Purchase Pedal Assembly, (NOT SERVICED)
3	52129261AB	1							WASHER, Purchase Pedal Assembly, (NOT SERVICED)
4	52129261AB	1							BUSHING, Pedal Shaft, Purchase Pedal Assembly, (NOT SERVICED)
5	06035334	1	J, T, U		74				CLIP, Master Cylinder Push Rod, Mounting
6	52128347AE	1	J, T		74				PEDAL, Brake, [DBB]
7	52128346AE	1	J, T		74				PEDAL, Brake, [DG0]
8	52128348AD	1	U		74				PEDAL, Brake, [DBB]
9	52128345AD	1	U		74				PEDAL, Brake, [DG0]
10									PAD, Pedal
	05102023AB	1	U		74				[DG0]
		1	J, T		74				[DG0]
11									PAD, Pedal
	52009562	1	J, T		74				[DBB]
		1	U		74				[DBB]
-12									TAPE, Anti-Squeak
	05019054AA	1	U		74				
		1	J, T		74				

**LIBERTY (KJ)**

SERIES      LINE  
H = HIGHLINE    T = JEEP - 2WD  
M = MEDIUM     J = JEEP - 4WD  
P = PREMIUM    U = JEEP - 4WD (RHD)

BODY  
74 = SPORT UTILITY 4-DR

ENGINE      TRANSMISSION  
EKG = 3.7L V6 Engine      DG6 = 4-Spd. Automatic 42RLE  
ENR = 2.8L 4 Cyl Turbo Diesel Engine      Transmission  
ENJ = 2.5L 4 Cyl 16V Turbo Diesel Engine      DGV = 4-Spd. Automatic VLP  
ED1 = 2.4L 4 Cyl DOHC 16v SMPI Engine      Transmission  
DGQ = 5-Spd Automatic 5-45RFE  
Transmission  
DEH = 6-Speed Manual NSG370  
Transmission  
DDD = 5-Speed HD Manual  
Transmission  
DDK = 5-Speed HD Manual  
Transmission

AR = use ase required - = Non illustrated part

2006 KJ

# Group - 6

## Clutch

### Group - 6 Clutch

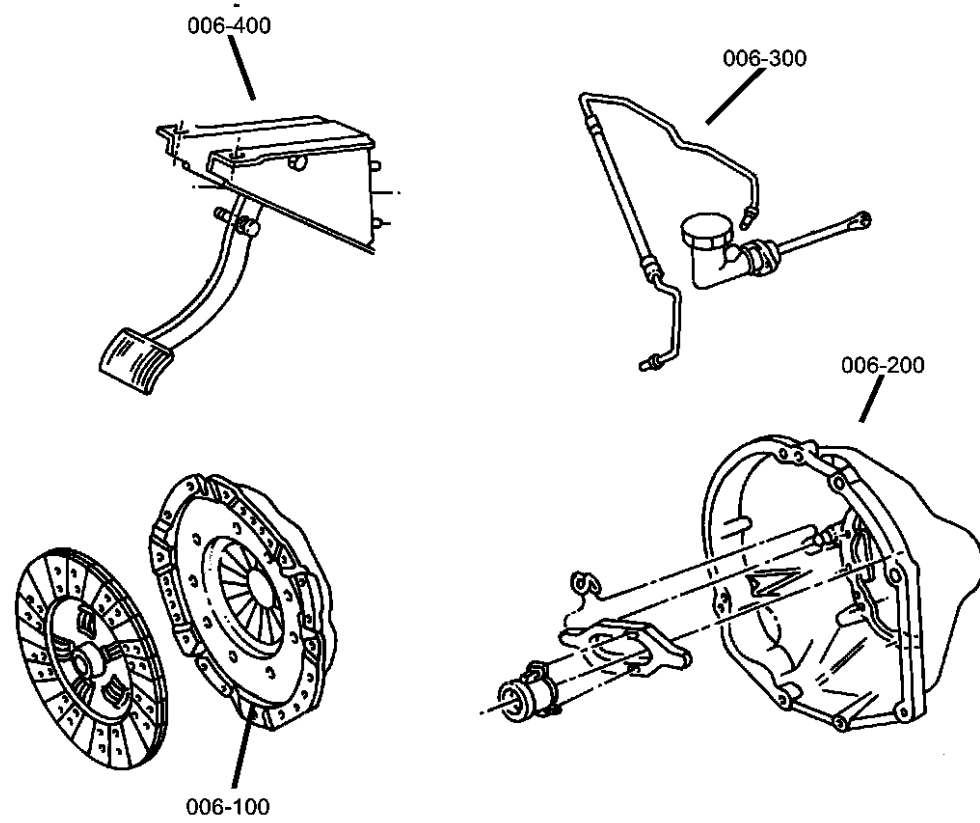


Illustration Title

Group-Fig. No.

#### Clutch

Clutch Assembly ..... Fig. 6 - 110

#### Clutch Housing

Clutch Housing,[EK0] ..... Fig. 6 - 210

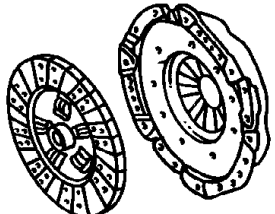
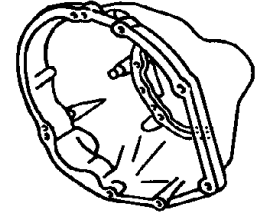
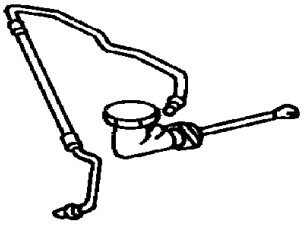
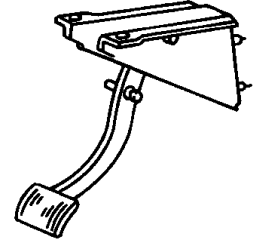
Clutch Housing,[EN0] ..... Fig. 6 - 220

#### Clutch Controls

Clutch Control ..... Fig. 6 - 310

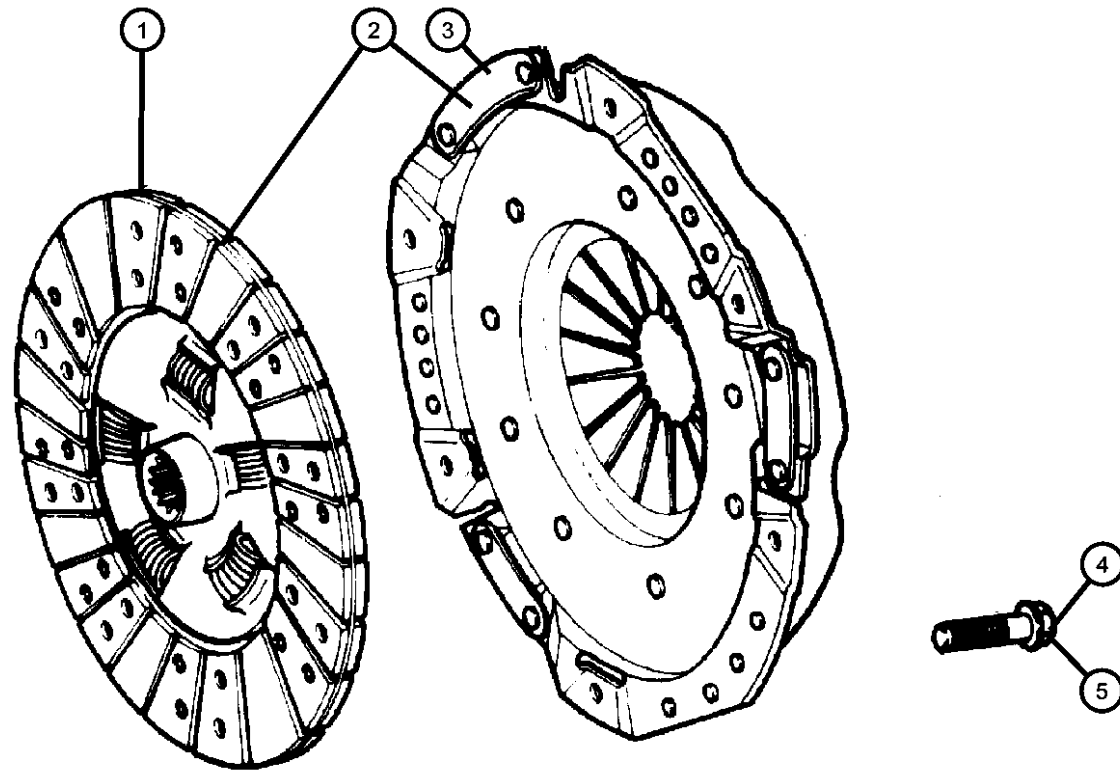
#### Clutch Pedals

Pedal,Clutch ..... Fig. 6 - 410

<p><b>006-100</b> Clutch</p> 	<p><b>006-200</b> Clutch Housing</p> 	<p><b>006-300</b> Clutch Controls</p> 	<p><b>006-400</b> Clutch Pedals</p> 
---	--	--	---

**Clutch Assembly  
Figure 6-110**

ITEM	PART NUMBER	QTY	LINE	SERIES	BODY	ENGINE	TRANS	TRIM	DESCRIPTION
NOTE: Sales Codes [DBB]= All Manual Transmissions [EKG]= Magnum 3.7L V6 [EN0]= All 2.5L 4 Cylinder Turbo Diesel Engines									
1									DISC, Clutch
	52104303AK	1	J, T, U			EN0	DBB		
	52104585AC	1	J, T, U			EKG	DBB		
2	52104583AC	1	J, T, U			EKG	DBB		CLUTCH KIT, Pressure Plate and Disc
3	52104302AK	1	J, T, U			EN0	DBB		PLATE, Pressure
4	06036460AA	6	J, T, U			EKG	DBB		BOLT, Hex Flange Head, Pressure Plate to Flywheel, Mounting
5	05072664AA	8				EN0	DBB		BOLT, Pressure Plate to Flywheel, Mounting



**LIBERTY (KJ)**

SERIES      LINE  
H = HIGHLINE    T = JEEP - 2WD  
M = MEDIUM     J = JEEP - 4WD  
P = PREMIUM    U = JEEP - 4WD (RHD)

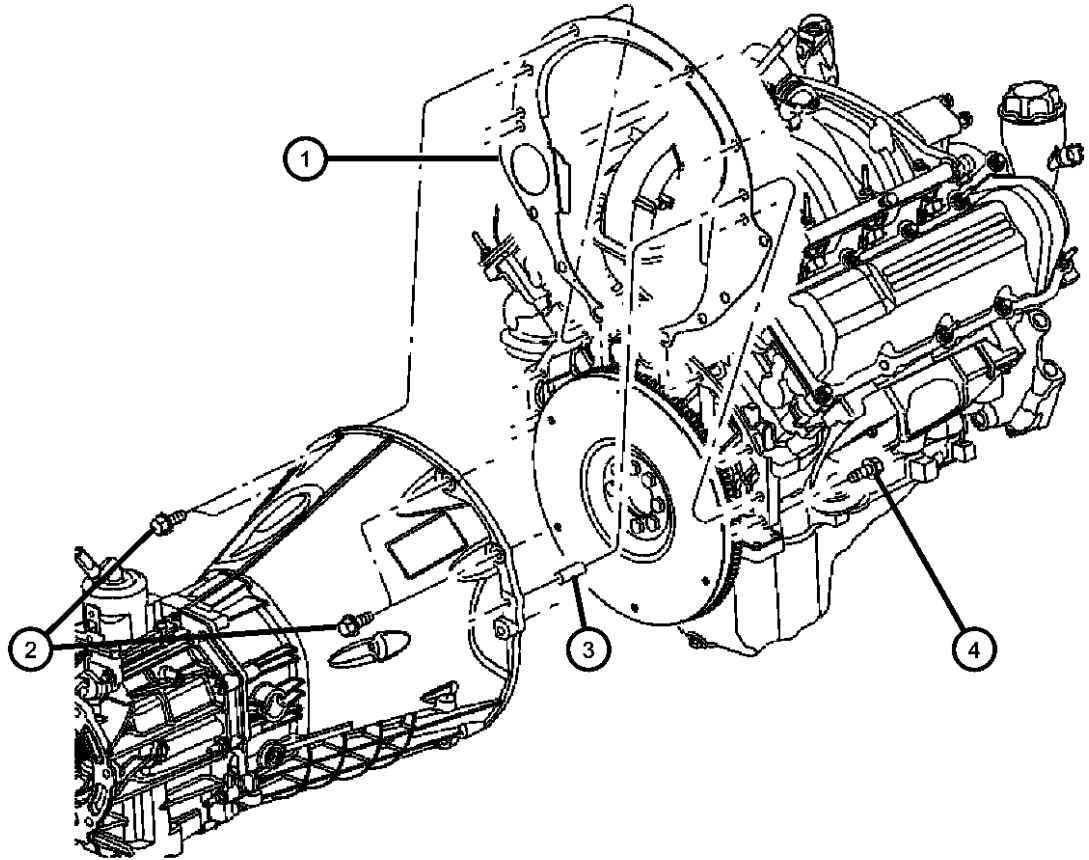
BODY  
74 = SPORT UTILITY 4-DR

ENGINE  
EKG = 3.7L V6 Engine  
ENR = 2.8L 4 Cyl Turbo Diesel Engine  
ENJ = 2.5L 4 Cyl 16V Turbo Diesel Engine  
ED1 = 2.4L 4 Cyl DOHC 16v SMPI Engine

TRANSMISSION  
DG6 = 4-Spd. Automatic 42RLE Transmission  
DGV = 4-Spd. Automatic VLP Transmission  
DGQ = 5-Spd Automatic 5-45RFE Transmission  
DEH = 6-Speed Manual NSG370 Transmission  
DDD = 5-Speed HD Manual Transmission  
DDK = 5-Speed HD Manual Transmission

AR = use ase required    - = Non illustrated part

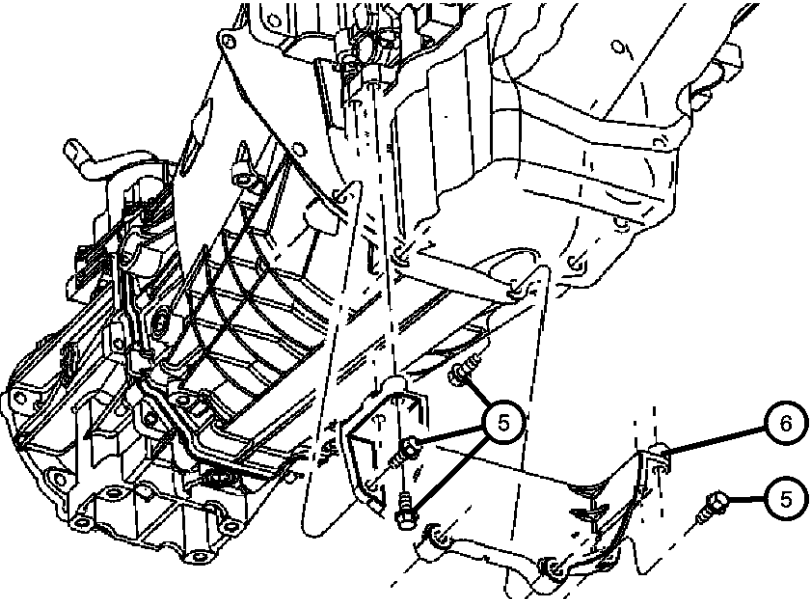
**Clutch Housing,[EK0]  
Figure 6-210**



ITEM	PART NUMBER	QTY	LINE	SERIES	BODY	ENGINE	TRANS	TRIM	DESCRIPTION
------	-------------	-----	------	--------	------	--------	-------	------	-------------

Note; Sales Codes  
 [DBB] = All Manual Transmissions  
 [EKG] = Magnum 3.7L V6  
 [EK0] = All 3.7L 6 Cylinder Gas Engines

1	52104336AA	1				EKG	DBB		SPACER, Transmission to Block, Mounting
2	06022266	4				EK0	DBB		SCREW, Hex Head, .375-16x1.5, Clutch Housing to Block Upper, Mounting
3	01122532	2	J, T, U			EK0			DOWEL, Block To Clutch Housing, Cylinder Block to Clutch Housing, Mounting
4	06036385AA	2				EK0	DBB		SCREW AND WASHER, Hex Head, .437-14x2.00, Clutch Housing to Block Upper, Mounting
5	06101985	8	J, T, U			EK0			SCREW AND WASHER, M10x1.50x45.00, Dust Structural Cover to Transmission Housing, Mounting
6	53021282AA	1	J, T, U			EK0			COVER, Dust Structural

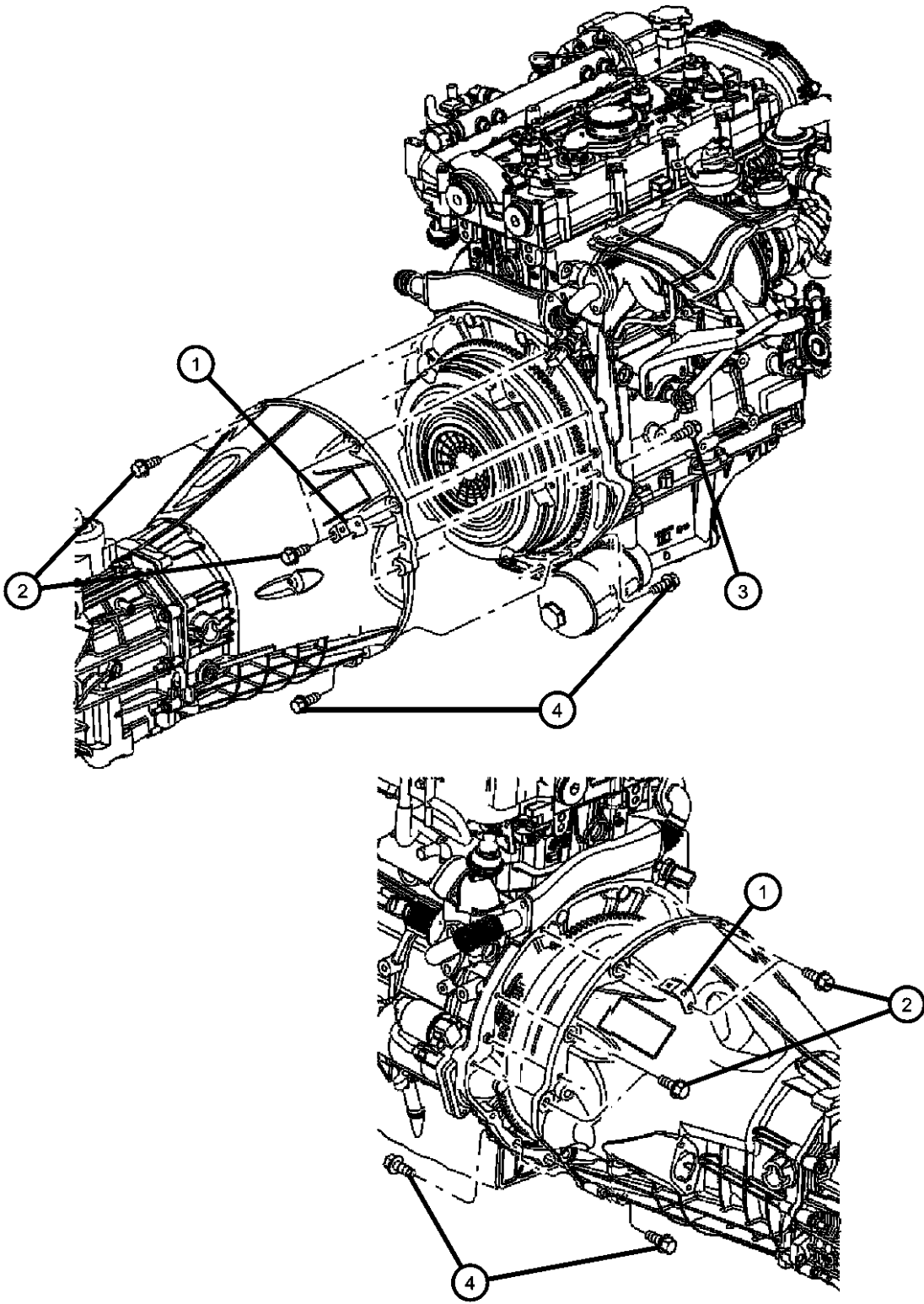


<b>LIBERTY (KJ)</b>				
SERIES	LINE	BODY	ENGINE	TRANSMISSION
H = HIGHLINE	T = JEEP - 2WD	74 = SPORT UTILITY 4-DR	EKG = 3.7L V6 Engine	DG6 = 4-Spd. Automatic 42RLE Transmission
M = MEDIUM	J = JEEP - 4WD		ENR = 2.8L 4 Cyl Turbo Diesel Engine	DGV = 4-Spd. Automatic VLP Transmission
P = PREMIUM	U = JEEP - 4WD (RHD)		ENJ = 2.5L 4 Cyl 16V Turbo Diesel Engine	DGQ = 5-Spd Automatic 5-45RFE Transmission
			ED1 = 2.4L 4 Cyl DOHC 16v SMPI Engine	DEH = 6-Speed Manual NSG370 Transmission
				DDD = 5-Speed HD Manual Transmission
				DDK = 5-Speed HD Manual Transmission

AR = use ase required - = Non illustrated part

Clutch Housing,[EN0]

Figure 6-220



ITEM	PART NUMBER	QTY	LINE	SERIES	BODY	ENGINE	TRANS	TRIM	DESCRIPTION
------	-------------	-----	------	--------	------	--------	-------	------	-------------

Note; Sales Codes  
 [DBB] = All Manual Transmissions  
 [DEH]=6-Speed Manual NSG370 Transmission  
 [EN0 ]= All 4/5 Cylinder Turbo Diesel Engines

1	56041379AA	2	J, T, U			EN0			CLIP, Housing, Wiring Harness Attaching
2	06022266	5	J, T, U			EN0	DBB		SCREW, Hex Head, .375-16x1.5, Clutch Housing to Block Upper, Mounting
3	00154877AA	1	J, T, U			EN0	DBB		SCREW AND WASHER, Hex Head, Clutch Housing, Mounting
4	06102026	4	J, T, U			EN0	DBB		SCREW, Clutch Housing to Block Lower, Mounting

LIBERTY (KJ) SERIES	LINE	BODY	ENGINE	TRANSMISSION
H = HIGHLINE	T = JEEP - 2WD	74 = SPORT UTILITY 4-DR	EKG = 3.7L V6 Engine	DG6 = 4-Spd. Automatic 42RLE Transmission
M = MEDIUM	J = JEEP - 4WD		ENR = 2.8L 4 Cyl Turbo Diesel Engine	DGV = 4-Spd. Automatic VLP Transmission
P = PREMIUM	U = JEEP - 4WD (RHD)		ENJ = 2.5L 4 Cyl 16V Turbo Diesel Engine	DGQ = 5-Spd Automatic 5-45RFE Transmission
			ED1 = 2.4L 4 Cyl DOHC 16v SMPI Engine	DEH = 6-Speed Manual NSG370 Transmission
				DDD = 5-Speed HD Manual Transmission
				DDK = 5-Speed HD Manual Transmission

AR = use ase required - = Non illustrated part

**Clutch Control**  
**Figure 6-310**

ITEM	PART NUMBER	QTY	LINE	SERIES	BODY	ENGINE	TRANS	TRIM	DESCRIPTION
------	-------------	-----	------	--------	------	--------	-------	------	-------------

NOTE: Sales Codes

[DBB] = All Manual Transmissions

[DG0] = All Automatic Transmissions

[EKG] = Magnum 3.7L V6 Engine

[EN0] = All 4/5 Turbo Diesel Engines

1	06504175	2	J, T, U				DBB		NUT AND WASHER, Hex, M8x1.25, Clutch Master Cylinder, Mounting
2									HYDRAULIC CONTROL, Clutch Actuator
	52129182AD	1	U				DBB		
	52129183AD	1	J, T			EK0	DBB		
	52129184AD	1	J, T			EN0	DBB		
3									SWITCH, Clutch Starter Interlock
	56010692AA	1	J, T			EK0	DBB		
		1	U				DBB		
		1	J, T			EN0	DBB		
4									PIVOT, Clutch Release
	52087542	1	T			EK0	DEH		
		1	J, U			EN0	DEH		
		1	J, U			EK0	DEH		
5	04338855	1	J, T, U				DBB		SPRING, Clutch Release
6	52107555	1	J, T, U				DBB		LEVER, Clutch Release
7	53008342	1	J, T, U				DBB		BEARING, Clutch Release
8	06505668AA	2					DBB		STUD, Double Ended, M8 x 1.25 x 46.50, Slave Cylinder to Clutch Housing, Mounting
9	06104716AA	2					DBB		NUT, Slave Cylinder to Clutch Housing, Mounting

**LIBERTY (KJ)**

**SERIES**

H = HIGHLINE

M = MEDIUM

P = PREMIUM

**LINE**

T = JEEP - 2WD

J = JEEP - 4WD

U = JEEP - 4WD (RHD)

**BODY**

74 = SPORT UTILITY 4-DR

**ENGINE**

EKG = 3.7L V6 Engine

ENR = 2.8L 4 Cyl Turbo Diesel Engine

ENJ = 2.5L 4 Cyl 16V Turbo Diesel Engine

ED1 = 2.4L 4 Cyl DOHC 16v SMPI Engine

**TRANSMISSION**

DG6 = 4-Spd. Automatic 42RLE

Transmission

DGV = 4-Spd. Automatic VLP

Transmission

DGQ = 5-Spd Automatic 5-45RFE

Transmission

DEH = 6-Speed Manual NSG370

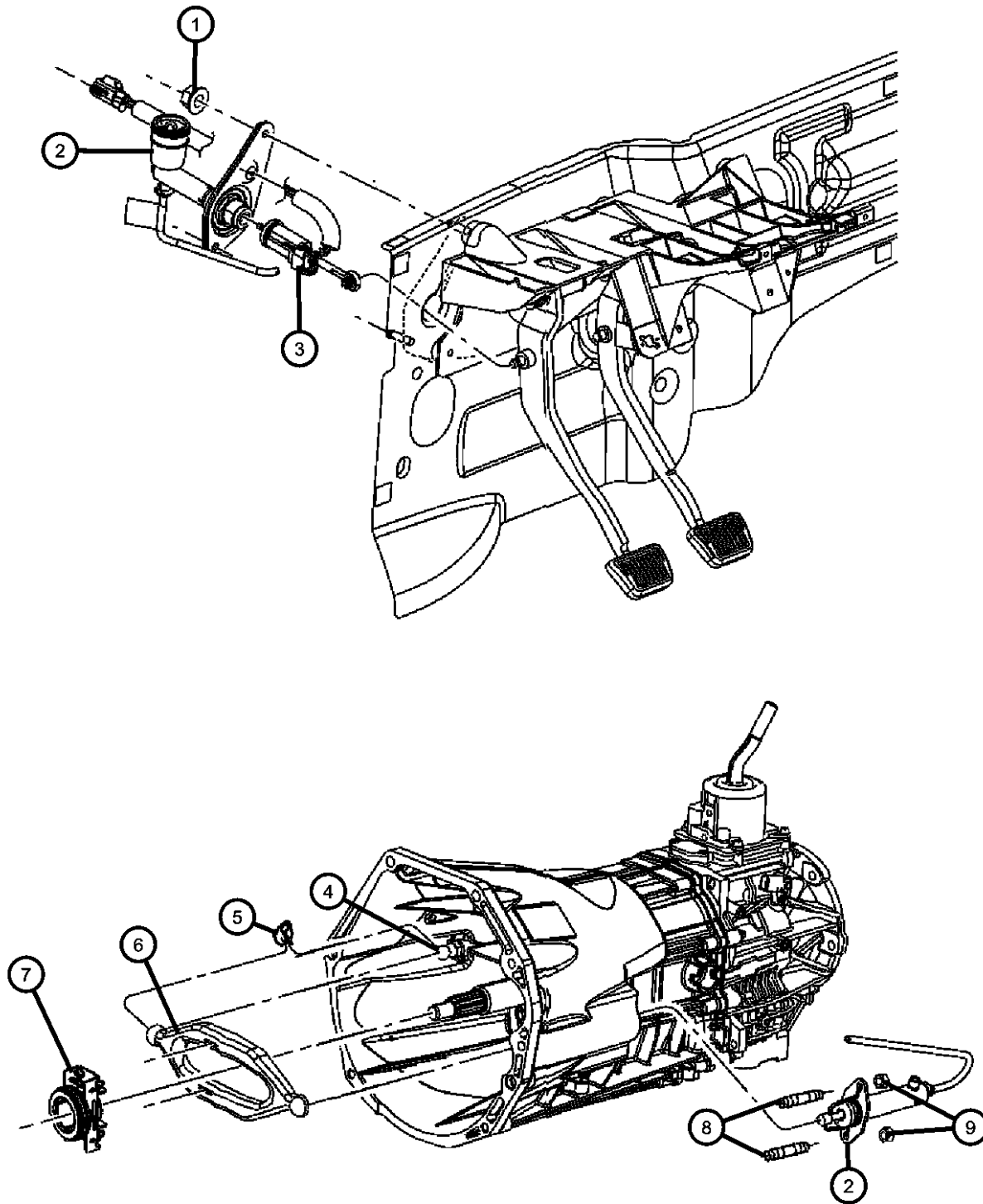
Transmission

DDD = 5-Speed HD Manual

Transmission

DDK = 5-Speed HD Manual

Transmission



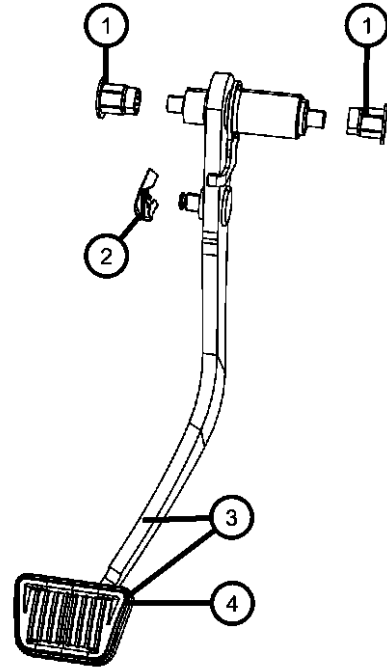
AR = use ase required - = Non illustrated part

2006 KJ



**Pedal,Clutch  
Figure 6-410**

ITEM	PART NUMBER	QTY	LINE	SERIES	BODY	ENGINE	TRANS	TRIM	DESCRIPTION
Note:Sales Codes [DBB]=All Manual Transmissions									
1	06104716AA	2							BUSHING, Pedal Shaft, Purchase Pedal Assembly, (NOT SERVICED)
2	06035334	1	J, T, U						CLIP, Clutch Master Cylinder Push Rod, Mounting
3									PEDAL, Clutch
	52128958AA	1	U				DBB		
	52128957AA	1	J, T				DBB		
4									PAD, Pedal
	52009562	1	U				DBB		
		1	J, T				DBB		



**LIBERTY (KJ)**

SERIES      LINE  
H = HIGHLINE    T = JEEP - 2WD  
M = MEDIUM     J = JEEP - 4WD  
P = PREMIUM    U = JEEP - 4WD (RHD)

BODY  
74 = SPORT UTILITY 4-DR

ENGINE      TRANSMISSION  
EKG = 3.7L V6 Engine      DG6 = 4-Spd. Automatic 42RLE  
ENR = 2.8L 4 Cyl Turbo Diesel Engine      DG6 = 4-Spd. Automatic 42RLE  
ENJ = 2.5L 4 Cyl 16V Turbo Diesel Engine      DGV = 4-Spd. Automatic VLP  
ED1 = 2.4L 4 Cyl DOHC 16v SMPI Engine      DGQ = 5-Spd Automatic 5-45RFE  
DEH = 6-Speed Manual NSG370 Transmission  
DDD = 5-Speed HD Manual Transmission  
DDK = 5-Speed HD Manual Transmission

AR = use ase required - = Non illustrated part

2006 KJ

# Group - 7

## Cooling

### Group - 7 Cooling

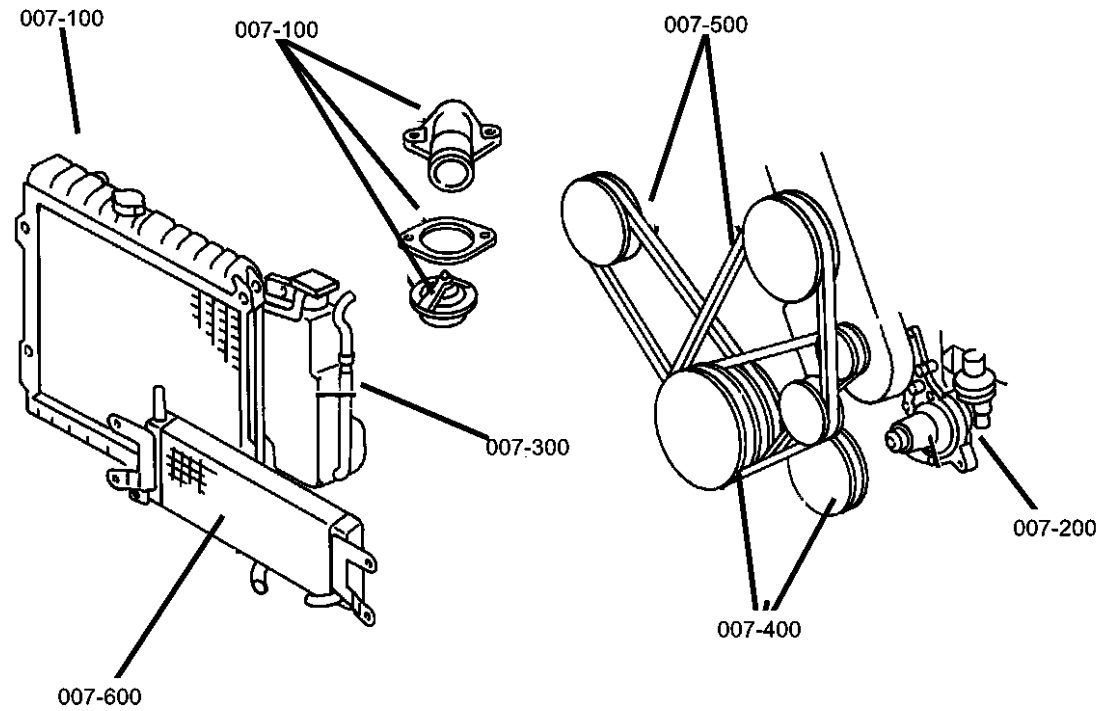


Illustration Title

Group-Fig. No.

#### Radiator and Related Parts

Radiator and Related Parts, 3.7L Engine .....	Fig. 7 - 120
Radiator and Related Parts, 2.8L Diesel Engine.....	Fig. 7 - 130
Support Assy. - Radiator .....	Fig. 7 - 140
Charge Air Cooler .....	Fig. 7 - 150

#### Water Pump and Related Parts

Water Pump and Related Parts, 3.7L Engine .....	Fig. 7 - 220
Water Pump and Related Parts, 2.8L Diesel Engine .....	Fig. 7 - 230

#### Tank, Coolant Engine

Coolant Tank, 3.7L Engine .....	Fig. 7 - 310
Coolant Degasser Tank, 2.8L Diesel Engine.....	Fig. 7 - 320

#### Pulleys and Related Parts

Drive Pulleys, 3.7L Engine .....	Fig. 7 - 420
Drive Pulleys, 2.8L Diesel Engine.....	Fig. 7 - 430

#### Drive Belts

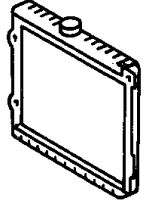
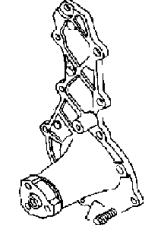
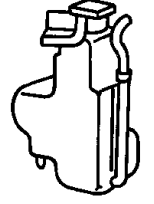
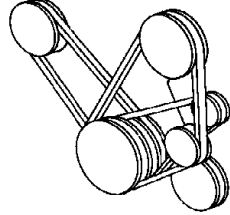
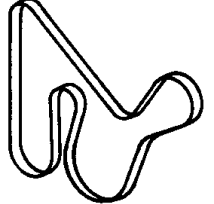
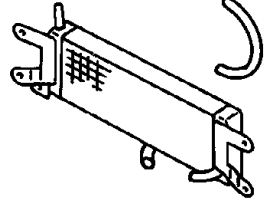
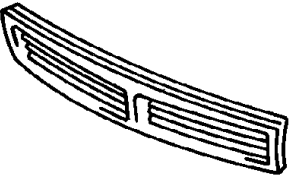
Drive Belts, 3.7L Engine .....	Fig. 7 - 520
Drive Belts, 2.8L Diesel Engine .....	Fig. 7 - 530

#### Lines, Transmission Oil Cooler

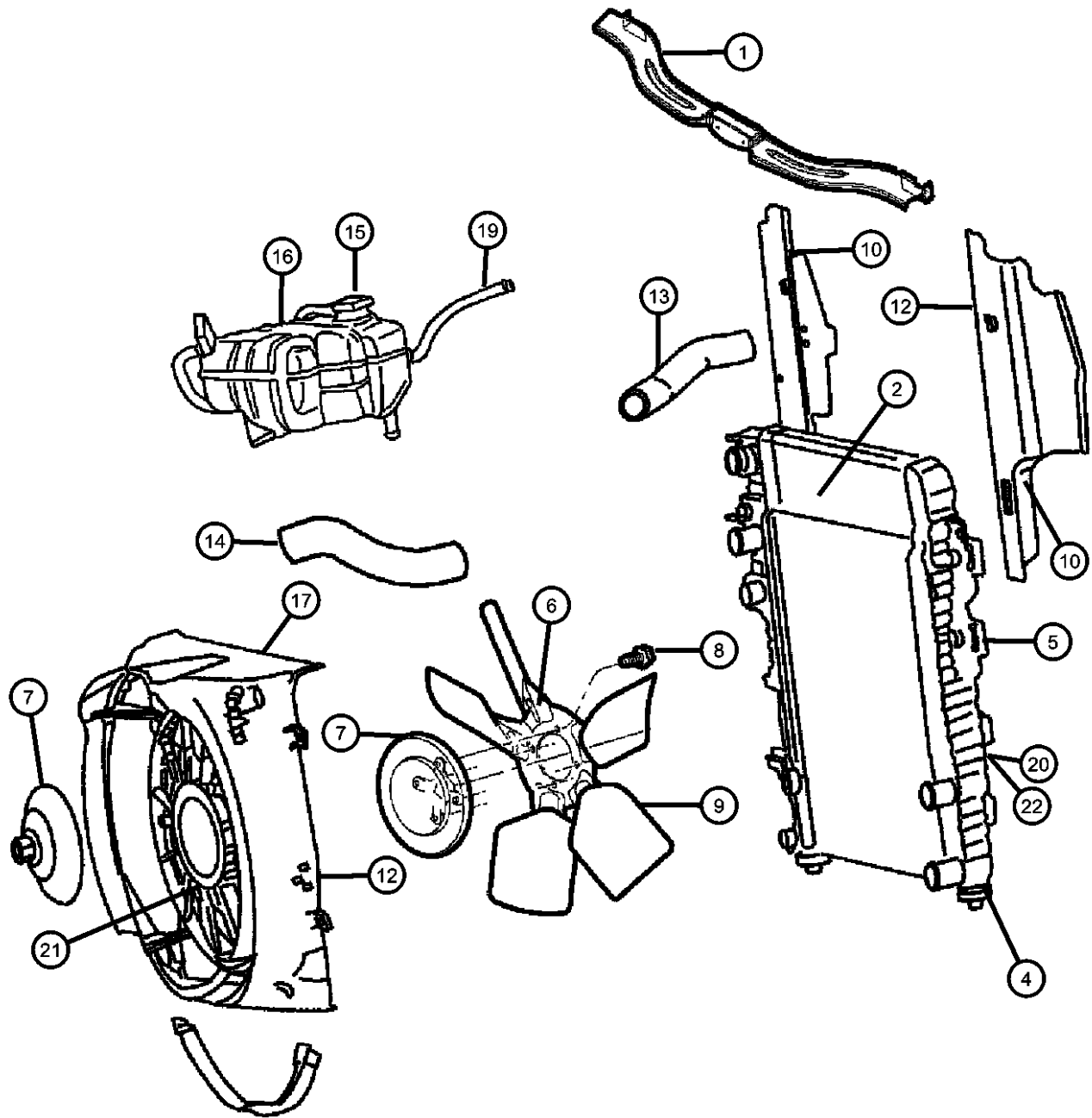
Oil Cooler Lines .....	Fig. 7 - 610
------------------------	--------------

#### Grilles

Grille and Related Parts .....	Fig. 7 - 710
--------------------------------	--------------

<p><b>007-100</b> Radiator and Related Parts</p> 	<p><b>007-200</b> Water Pump and Related Parts</p> 	<p><b>007-300</b> Tank, Coolant Engine</p> 	<p><b>007-400</b> Pulleys and Related Parts</p> 
<p><b>007-500</b> Drive Belts</p> 	<p><b>007-600</b> Lines, Transmission Oil Cooler</p> 	<p><b>007-700</b> Grilles</p> 	

**Radiator and Related Parts, 3.7L Engine  
Figure 7-120**

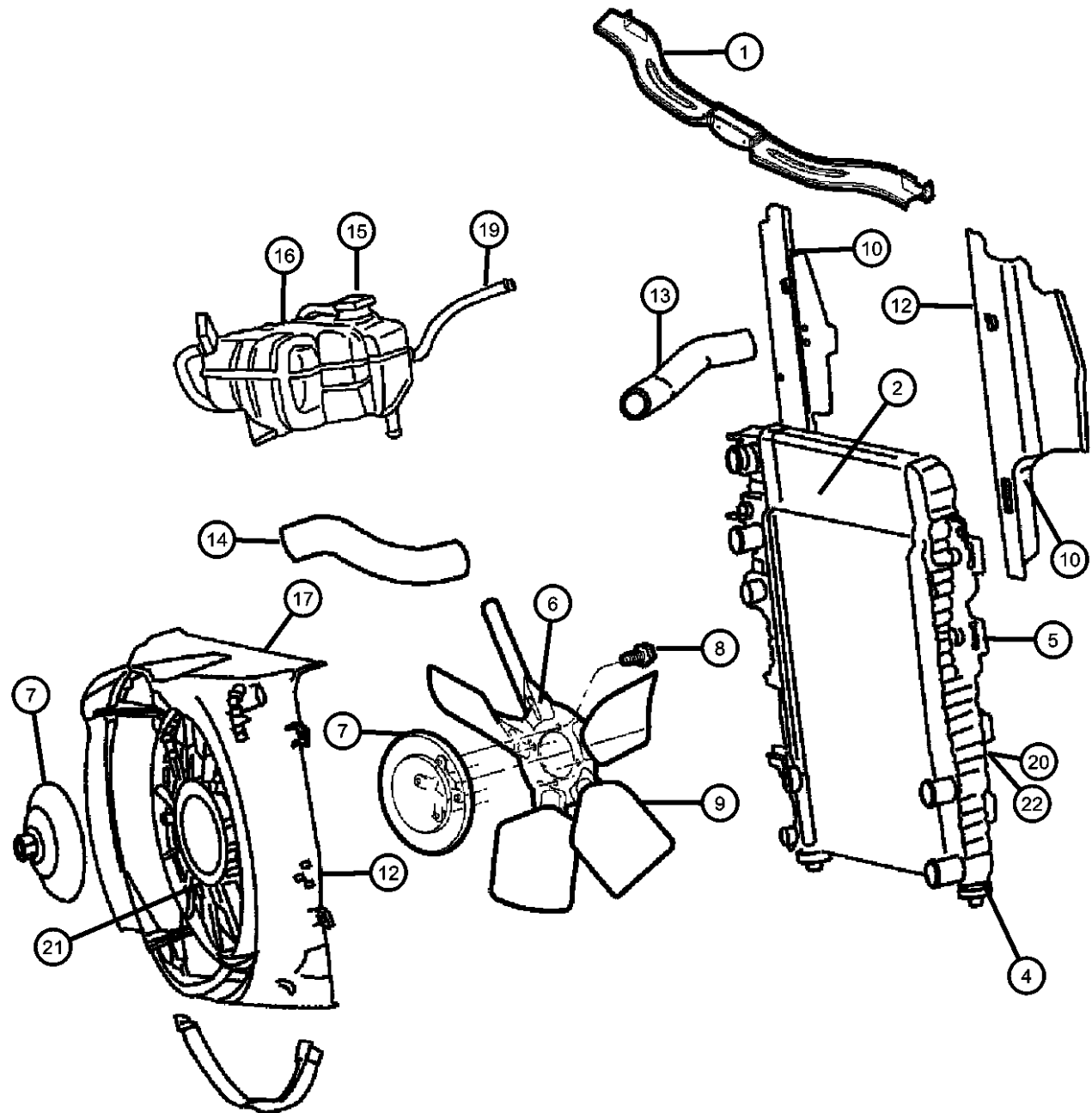


ITEM	PART NUMBER	QTY	LINE	SERIES	BODY	ENGINE	TRANS	TRIM	DESCRIPTION
Note; Sales Codes [DBB] = ALL MANUAL TRANSMISSIONS [DGO] = ALL AUTOMATIC TRANSMISSIONS [EK0] = ALL 3.7L 6 CYLINDER GAS ENGINES									
1	55176763AF	1							CROSSMEMBER, Radiator
2	05183562AA	1				EK0	DBB		RADIATOR, Engine Cooling
		1				EK0	DGO		
-3	55176756AE	1							SUPPORT, Radiator, Lower
4	52079651AA	2				EK0	DGO		ISOLATOR, Radiator
		2				EK0	DBB		
5	05143010AB	1				EN0	DBB		CONDENSER, Air Conditioning
6	05143021AA	1				EN0	DBB		FAN, Cooling, Electric
		1				EN0	DGO		[HAA]
	05183565AA	1				EK0	DBB		[HAA+NMC]
		1				EK0	DGO		[HAA+NMC]
7	52079718AD	1				EK0			DRIVE, Fan, Viscous
8	06034860	4				EK0			BOLT AND WASHER, Implement Attaching
9	52079654AD	1				EK0			FAN, Cooling, Mechanical
10	05143008AA	1				EK0	DGO		SEAL, Radiator Side Air
		1				EK0	DBB		
-11	06036155AA	6							PIN, Push
12	05143008AA	1				EK0	DGO		SEAL, Radiator Side Air
13	55037903AA	1				EK0			HOSE, Radiator Inlet
14	55037912AA	1			J, T, U	EK0			HOSE, Radiator Outlet
	55037921AE	1				EN0			
15	04596198	1				EK0			CAP, Radiator

<b>LIBERTY (KJ)</b>				
SERIES	LINE	BODY	ENGINE	TRANSMISSION
H = HIGHLINE	T = JEEP - 2WD	74 = SPORT UTILITY 4-DR	EKG = 3.7L V6 Engine	DG6 = 4-Spd. Automatic 42RLE
M = MEDIUM	J = JEEP - 4WD		ENR = 2.8L 4 Cyl Turbo Diesel Engine	Transmission
P = PREMIUM	U = JEEP - 4WD (RHD)		ENJ = 2.5L 4 Cyl 16V Turbo Diesel Engine	DGV = 4-Spd. Automatic VLP
			ED1 = 2.4L 4 Cyl DOHC 16v SMPI Engine	Transmission
				DGQ = 5-Spd Automatic 5-45RFE
				Transmission
				DEH = 6-Speed Manual NSG370
				Transmission
				DDD = 5-Speed HD Manual
				Transmission
				DDK = 5-Speed HD Manual
				Transmission

AR = use ase required - = Non illustrated part

**Radiator and Related Parts, 3.7L Engine  
Figure 7-120**



ITEM	PART NUMBER	QTY	LINE	SERIES	BODY	ENGINE	TRANS	TRIM	DESCRIPTION
16	52079788AE	1				EK0			BOTTLE, Pressurized Coolant
17	52080127AA	1				EK0	DG0		SHROUD, Fan
	55037692AB	1				EK0	DBB		Radiator
	55037692AB	1				EK0	DG0		Radiator
	55037692AB	1				EK0	DBB		Radiator
	55037692AB	1				EK0	DG0		Radiator
-18	53020887AC	1				EK0			HOUSING, Thermostat
19	55037642AB	1				EK0			CLIP, Hose
20	05142820AA	1				EN0	DG0		COOLER, Oil
21	05183563AA	1				EK0	DBB		FAN MODULE, Radiator Cooling [HAA-NMC]
	05183563AA	1				EK0	DG0		[HAA-NMC]
22	05183566AA	1				EK0	DG0		COOLER, Transmission Oil [NMC]
	05183566AA	1				EK0	DG0		[NMC]

**LIBERTY (KJ)**

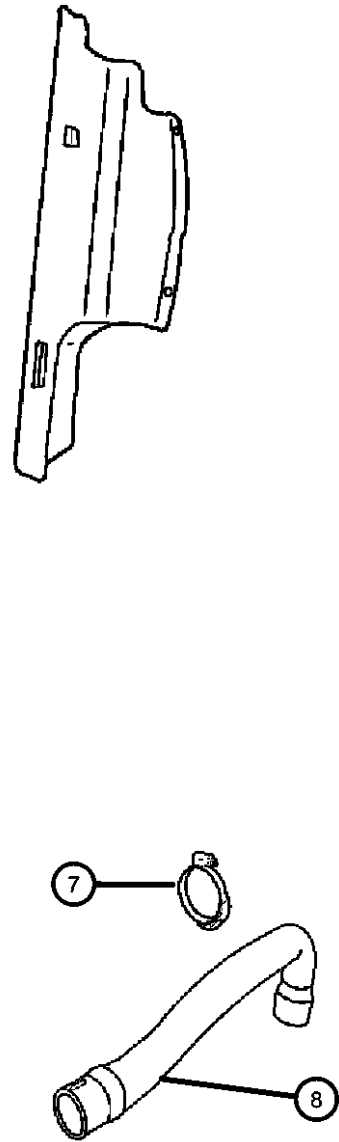
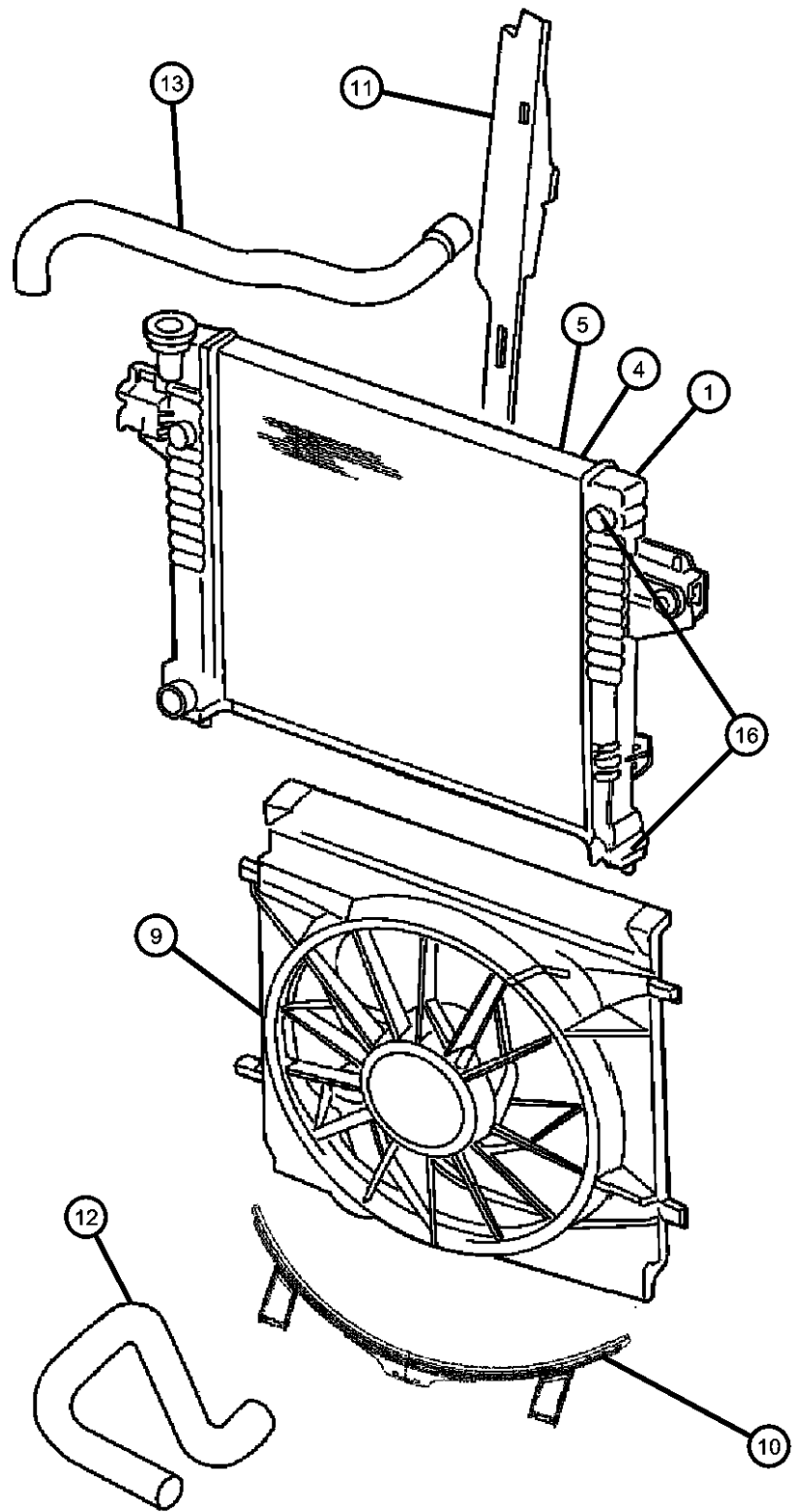
SERIES      LINE  
H = HIGHLINE    T = JEEP - 2WD  
M = MEDIUM     J = JEEP - 4WD  
P = PREMIUM    U = JEEP - 4WD (RHD)

BODY  
74 = SPORT UTILITY 4-DR

ENGINE      TRANSMISSION  
EKG = 3.7L V6 Engine      DG6 = 4-Spd. Automatic 42RLE  
ENR = 2.8L 4 Cyl Turbo Diesel Engine      DG7 = 4-Spd. Automatic VLP  
ENJ = 2.5L 4 Cyl 16V Turbo Diesel Engine      DGQ = 5-Spd Automatic 5-45RFE  
ED1 = 2.4L 4 Cyl DOHC 16v SMPI Engine      DEH = 6-Speed Manual NSG370  
Transmission  
DDD = 5-Speed HD Manual Transmission  
DDK = 5-Speed HD Manual Transmission

AR = use ase required - = Non illustrated part

## Radiator and Related Parts, 2.8L Diesel Engine Figure 7-130



ITEM	PART NUMBER	QTY	LINE	SERIES	BODY	ENGINE	TRANS	TRIM	DESCRIPTION
Note; Sales Codes [DBB] = ALL MANUAL TRANSMISSIONS [DG0] = ALL AUTOMATIC TRANSMISSIONS [EN0] = ALL 4/5 CYLINDER TURBO DIESEL ENGINES									
1	05174154AB	1				EN0	DBB		RADIATOR, Engine Cooling
		1				EN0	DG0		
-2	55176756AE	1							SUPPORT, Radiator
-3	55176763AF	1							CROSSMEMBER, Radiator
4	05183560AA	1				EN0	DBB		CONDENSER, Air Conditioning
5	05183561AA	1				EN0	DG0		COOLER, Condenser and Aux TOC
-6	05143020AA	1				EN0	DBB		COOLER, Charge Air
7	06105105AA	1				EN0			CLAMP, HOSE CLAMP
8									HOSE, Charge Air Cooler
	55037729AC	1				EN0			Inlet
	55037730AC	1				EN0			Outlet
9	05143022AA	1				EN0	DBB		SHROUD, Fan
10	52079879AB	1				EN0			SHROUD, Fan, Cooling Module Access Door, [EN0] Engine Only
11	05143024AA	1				EN0	DBB		SEAL, Radiator Side Air
12	55037921AE	1				EN0			HOSE, Radiator Outlet
13	55037920AB	1				EN0			HOSE, Radiator Inlet
-14									FAN, Cooling
	05143021AA	1				EN0	DBB		
		1				EN0	DG0		Diesel
	52079727AA	1				EN0			Mechanical
-15	55037733AD	1				EN0			DRIVE, Fan, Viscous
16									ISOLATOR, Radiator
	52079651AA	2				EN0	DBB		Upper
	52079666AA	2				EN0	DBB		Lower

### LIBERTY (KJ)

SERIES	LINE
H = HIGHLINE	T = JEEP - 2WD
M = MEDIUM	J = JEEP - 4WD
P = PREMIUM	U = JEEP - 4WD (RHD)

BODY
74 = SPORT UTILITY 4-DR

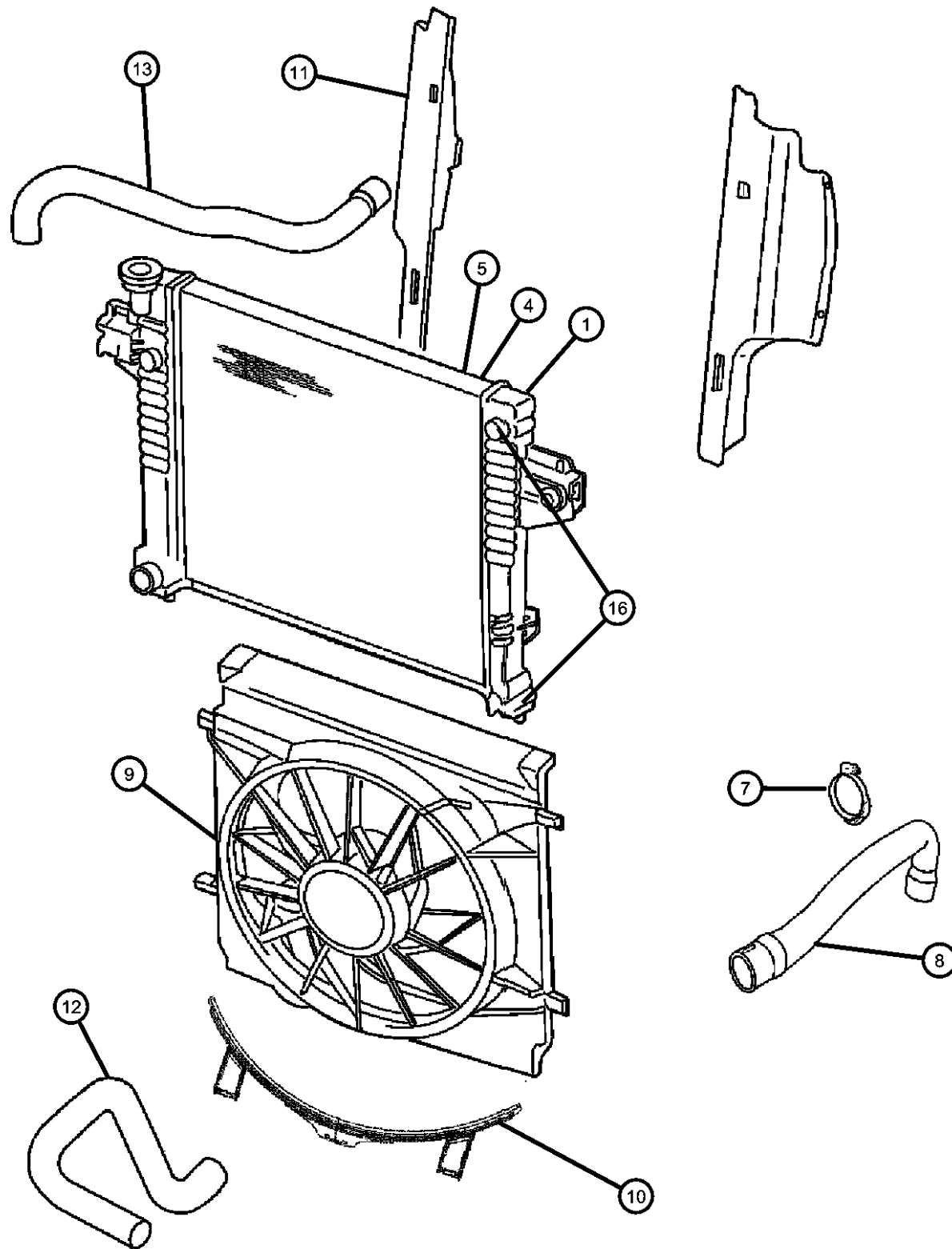
ENGINE
EKG = 3.7L V6 Engine
ENR = 2.8L 4 Cyl Turbo Diesel Engine
ENJ = 2.5L 4 Cyl 16V Turbo Diesel Engine
ED1 = 2.4L 4 Cyl DOHC 16v SMPI Engine

TRANSMISSION
DG6 = 4-Spd. Automatic 42RLE Transmission
DGV = 4-Spd. Automatic VLP Transmission
DGQ = 5-Spd Automatic 5-45RFE Transmission
DEH = 6-Speed Manual NSG370 Transmission
DDD = 5-Speed HD Manual Transmission
DDK = 5-Speed HD Manual Transmission

AR = use ase required - = Non illustrated part

2006 KJ

**Radiator and Related Parts, 2.8L Diesel Engine**  
**Figure 7-130**



ITEM	PART NUMBER	QTY	LINE	SERIES	BODY	ENGINE	TRANS	TRIM	DESCRIPTION
------	-------------	-----	------	--------	------	--------	-------	------	-------------

		2				EN0	DG0		Lower
		2				EN0	DG0		Upper

**LIBERTY (KJ)**

SERIES	LINE
H = HIGHLINE	T = JEEP - 2WD
M = MEDIUM	J = JEEP - 4WD
P = PREMIUM	U = JEEP - 4WD (RHD)

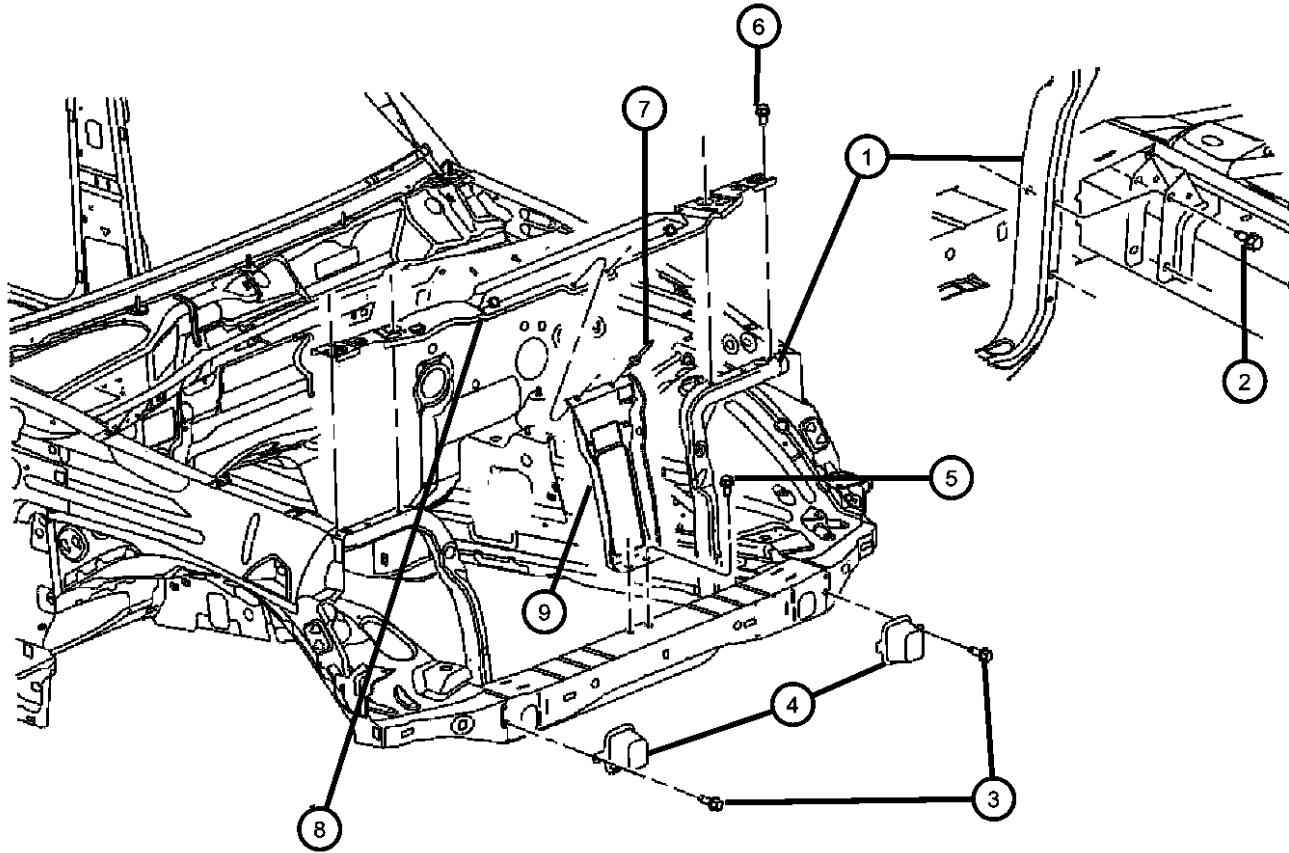
BODY
74 = SPORT UTILITY 4-DR

ENGINE	TRANSMISSION
EKG = 3.7L V6 Engine	DG6 = 4-Spd. Automatic 42RLE
ENR = 2.8L 4 Cyl Turbo Diesel Engine	DGV = 4-Spd. Automatic VLP
ENJ = 2.5L 4 Cyl 16V Turbo Diesel Engine	DGQ = 5-Spd Automatic 5-45RFE
ED1 = 2.4L 4 Cyl DOHC 16v SMPI Engine	DEH = 6-Speed Manual NSG370
	DDD = 5-Speed HD Manual
	DDK = 5-Speed HD Manual

AR = use ase required - = Non illustrated part

**Support Assy. - Radiator  
Figure 7-140**

ITEM	PART NUMBER	QTY	LINE	SERIES	BODY	ENGINE	TRANS	TRIM	DESCRIPTION
1	55176756AE	1							SUPPORT, Radiator
2	06102142AA	6							SCREW, Hex Head, M6x1x15
3	06505903AA	2							SCREW AND WASHER, Self Tapping, M6x1x22, Crush Can
4	55360410AA	2							SPACER, Jounce Bumper
5	06505903AA	2							SCREW AND WASHER, Self Tapping, M6x1x22, Hood Latch Support Attach Lower Crossmember
6	06505903AA	4							SCREW AND WASHER, Self Tapping, M6x1x22, Upper Attach Hydroform
7	06036456AA	2							RIVET
8	55176763AF	1							CROSSMEMBER, Radiator, Radiator Upper Crossmember
9	55360694AB	1							REINFORCEMENT, Hood Latch



**LIBERTY (KJ)**

SERIES	LINE
H = HIGHLINE	T = JEEP - 2WD
M = MEDIUM	J = JEEP - 4WD
P = PREMIUM	U = JEEP - 4WD (RHD)

BODY  
74 = SPORT UTILITY 4-DR

ENGINE	TRANSMISSION
EKG = 3.7L V6 Engine	DG6 = 4-Spd. Automatic 42RLE
ENR = 2.8L 4 Cyl Turbo Diesel Engine	Transmission
ENJ = 2.5L 4 Cyl 16V Turbo Diesel Engine	DGV = 4-Spd. Automatic VLP
ED1 = 2.4L 4 Cyl DOHC 16v SMPI Engine	DGQ = 5-Spd Automatic 5-45RFE
	Transmission
	DEH = 6-Speed Manual NSG370
	Transmission
	DDD = 5-Speed HD Manual
	Transmission
	DDK = 5-Speed HD Manual
	Transmission

AR = use ase required - = Non illustrated part

2006 KJ

**Charge Air Cooler  
Figure 7-150**

ITEM	PART NUMBER	QTY	LINE	SERIES	BODY	ENGINE	TRANS	TRIM	DESCRIPTION
NOTE: Sales Codes: [DBB]=All Manual Transmissions [DG0]=All Automatic Transmissions [EN0]=All 4/5 Cylinder Turbo Diesel Engines									
1	55360694AB	1							ENGINE, Complete, Diesel, See Group [2.8L], (NOT SERVICED)
2	55360694AB	1							MODULE, Cooling, See Group 007, (NOT SERVICED)
3	55360694AB	1							CROSSMEMBER, Radiator, See Group 007, (NOT SERVICED)
4									COOLER, Charge Air
	05143020AA	1				EN0	DBB		
		1				EN0	DG0		
5	55037729AC	1				EN0			HOSE, Charge Air Cooler, Charge Air Cooler Inlet Hose
6	06105105AA	1				EN0			CLAMP, HOSE CLAMP, Turbo Ftg. and Hose
7	06105105AA	1				EN0			CLAMP, HOSE CLAMP, Charge Air Cooler Inlet
8	55037730AC	1				EN0			HOSE, Charge Air Cooler, Charge Air Cooler Outlet Hose
9	06104795AA	1				EN0			CLAMP, Hose, Engine Inlet
10	06104795AA	1				EN0			CLAMP, Hose, Charge Air Cooler Outlet

**LIBERTY (KJ)**

SERIES	LINE
H = HIGHLINE	T = JEEP - 2WD
M = MEDIUM	J = JEEP - 4WD
P = PREMIUM	U = JEEP - 4WD (RHD)

BODY  
74 = SPORT UTILITY 4-DR

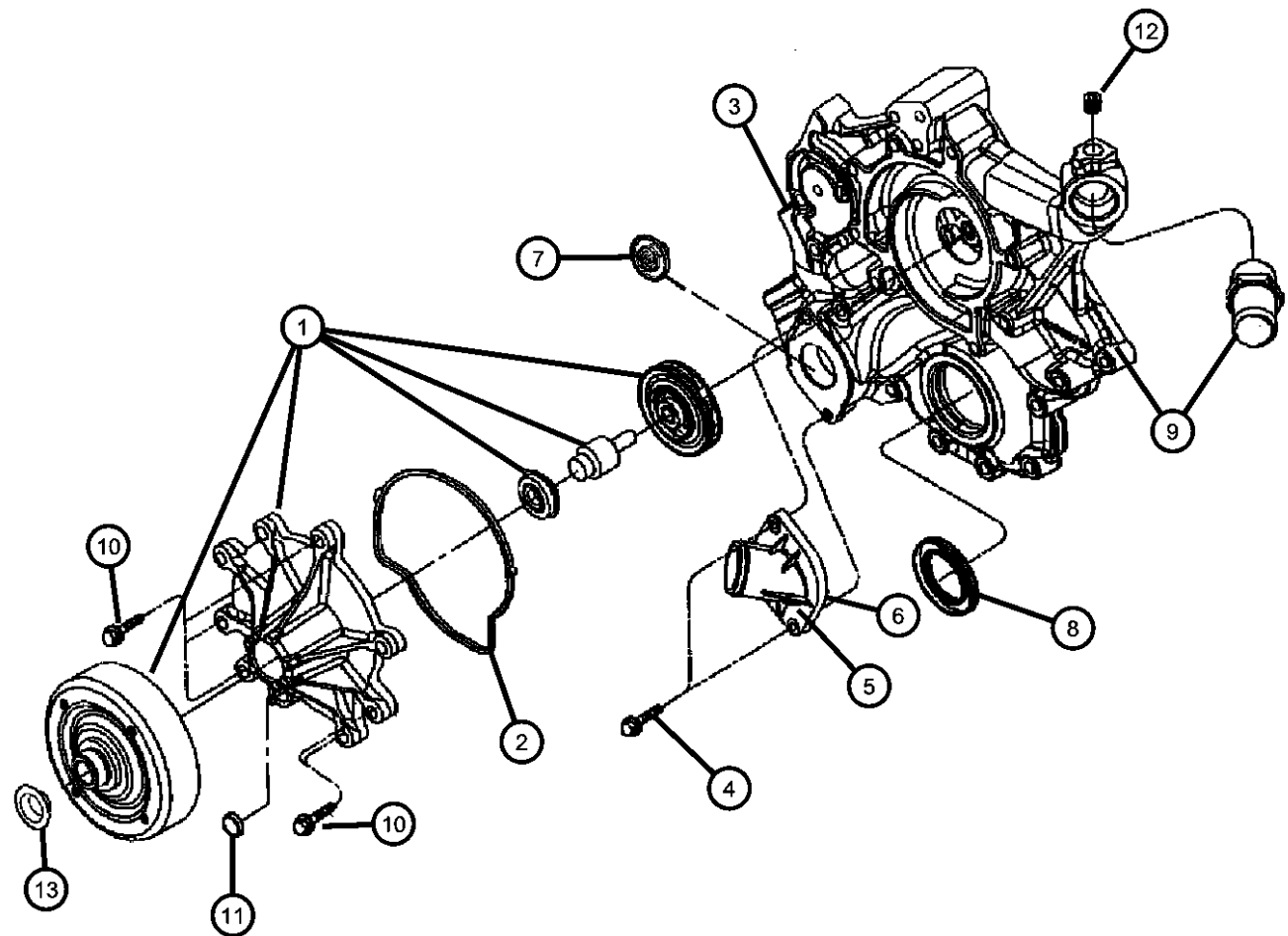
ENGINE  
EKG = 3.7L V6 Engine  
ENR = 2.8L 4 Cyl Turbo Diesel Engine  
ENJ = 2.5L 4 Cyl 16V Turbo Diesel Engine  
ED1 = 2.4L 4 Cyl DOHC 16v SMPI Engine

TRANSMISSION  
DG6 = 4-Spd. Automatic 42RLE Transmission  
DGV = 4-Spd. Automatic VLP Transmission  
DGQ = 5-Spd Automatic 5-45RFE Transmission  
DEH = 6-Speed Manual NSG370 Transmission  
DDD = 5-Speed HD Manual Transmission  
DDK = 5-Speed HD Manual Transmission



**Water Pump and Related Parts, 3.7L Engine**  
**Figure 7-220**

ITEM	PART NUMBER	QTY	LINE	SERIES	BODY	ENGINE	TRANS	TRIM	DESCRIPTION
Note; Sales Codes									
[DGO] = ALL AUTOMATIC TRANSMISSIONS									
[EK0] = ALL 3.7L 6-CYL GAS ENGINES									
1	53022189AA	1				EK0			PUMP, Water
2	53020865	1				EK0			GASKET, Water Pump
3	06035854	2				EK0			NIPPLE
4	06505502AA	2				EK0			SCREW
5	53020887AC	1				EK0			HOUSING, Thermostat
6	53020887AC	1							GASKET, Thermostat, Use RTV Sealer, (NOT SERVICED)
7	52079476AC	1				EK0			THERMOSTAT
8	53021313AA	1				EK0			SEAL, Crankshaft Oil, Front
9	05066955AA	1				EN0	DG0		COVER, Timing Belt
10	06102380AA	5				EK0			SCREW, Hex Flange Head
11	06102380AA	5							PLUG, (NOT SERVICED)
12	06102380AA	5							PLUG, (NOT SERVICED)
13	53013505AA	1				EK0			CAP, Water Pump Pulley



**LIBERTY (KJ)**

SERIES      LINE  
H = HIGHLINE    T = JEEP - 2WD  
M = MEDIUM     J = JEEP - 4WD  
P = PREMIUM    U = JEEP - 4WD (RHD)

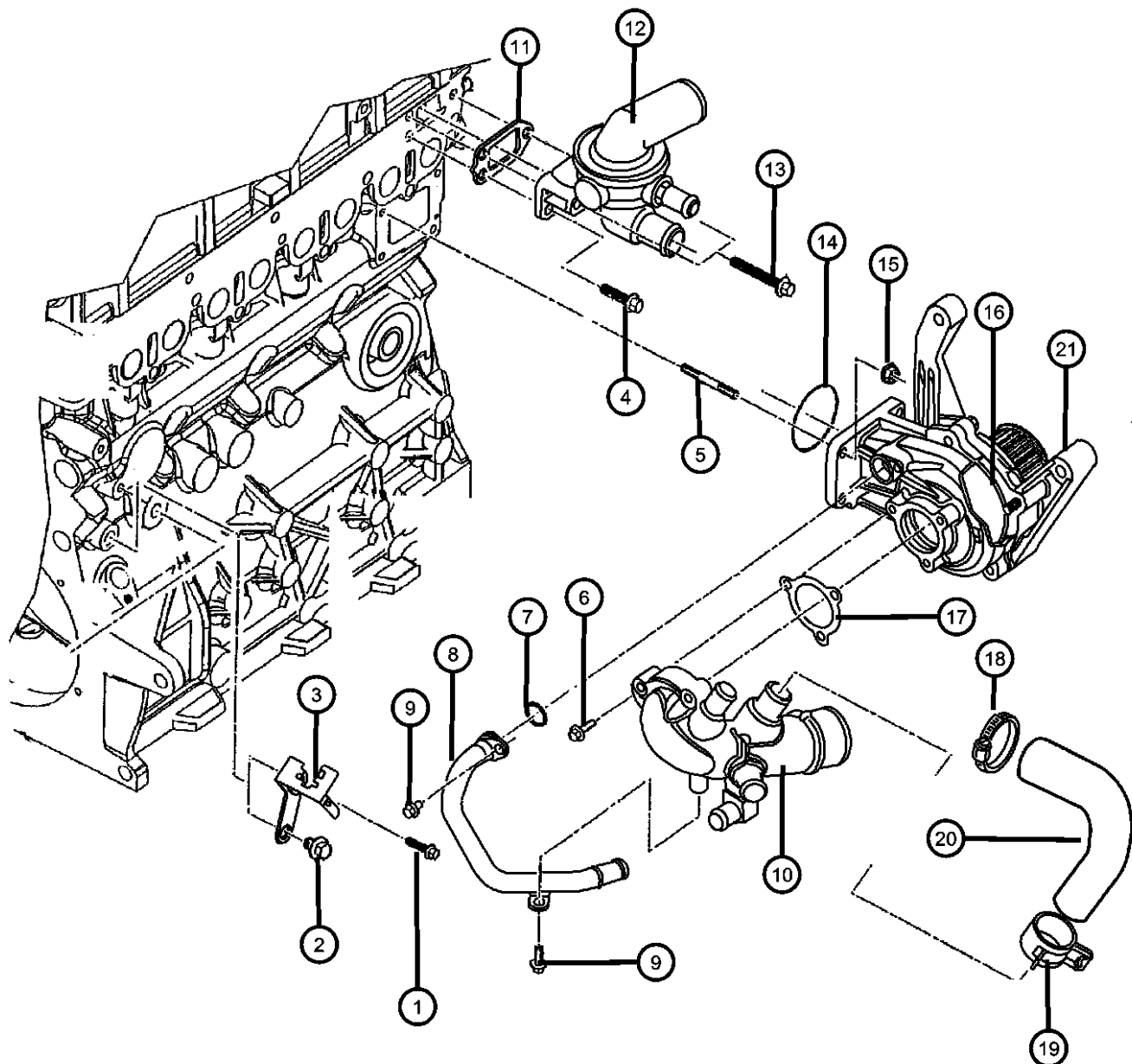
BODY  
74 = SPORT UTILITY 4-DR

ENGINE      TRANSMISSION  
EKG = 3.7L V6 Engine      DG6 = 4-Spd. Automatic 42RLE  
ENR = 2.8L 4 Cyl Turbo Diesel Engine      DG7 = 4-Spd. Automatic VLP  
ENJ = 2.5L 4 Cyl 16V Turbo Diesel Engine      DGQ = 5-Spd Automatic 5-45RFE  
ED1 = 2.4L 4 Cyl DOHC 16v SMPI Engine      DEH = 6-Speed Manual NSG370  
Transmission  
DDD = 5-Speed HD Manual Transmission  
DDK = 5-Speed HD Manual Transmission

AR = use ase required - = Non illustrated part

### Water Pump and Related Parts, 2.8L Diesel Engine

Figure 7-230



ITEM	PART NUMBER	QTY	LINE	SERIES	BODY	ENGINE	TRANS	TRIM	DESCRIPTION
1	06101983	4				EN0	DBB		SCREW
2	05003557AA	2				EN0	DG0		SCREW
3	05003557AA	2							BRACKET, (NOT SERVICED)
4	05066986AA	1				EN0	DBB		SCREW
5	04720550	1				EN0	DBB		STUD, Water Pump To Block
6	04882620	4				EN0	DBB		SCREW
7									WASHER, Implement Attaching
	04723204	8				EN0	DG0		
		8				EN0	DBB		
8	05072703AB	1				EN0	DBB		PIPE, Water Pump Drain
9	05003551AA	1				EN0	DBB		BOLT, M6x10
10	05142603AA	1				EN0	DG0		MANIFOLD, Water
11	05066806AA	1				EN0	DG0		GASKET, Thermostat
12	05142601AA	1				EN0	DG0		THERMOSTAT
13	05066962AA	1				EN0	DBB		SCREW
14	05159019AA	1				EN0	DG0		O RING, Water Pump
15	04778961	7				EN0	DG0		NUT
16	05072707AA	1				EN0	DG0		O RING
17	04864575	1				EN0	DG0		GASKET, Water Pump
18	06104795AA	1				EN0			CLAMP, Hose
19	04886050AA	1				EN0	DG0		CLAMP, Heater Hose
20	05142788AA	1				EN0	DG0		HOSE, Coolant
21	05142985AA	1				EN0	DG0		PUMP, Water

**LIBERTY (KJ)**

SERIES      LINE  
 H = HIGHLINE    T = JEEP - 2WD  
 M = MEDIUM     J = JEEP - 4WD  
 P = PREMIUM     U = JEEP - 4WD (RHD)

BODY  
 74 = SPORT UTILITY 4-DR

ENGINE  
 EKG = 3.7L V6 Engine  
 ENR = 2.8L 4 Cyl Turbo Diesel Engine  
 ENJ = 2.5L 4 Cyl 16V Turbo Diesel Engine  
 ED1 = 2.4L 4 Cyl DOHC 16v SMPI Engine

TRANSMISSION  
 DG6 = 4-Spd. Automatic 42RLE Transmission  
 DGV = 4-Spd. Automatic VLP Transmission  
 DGQ = 5-Spd Automatic 5-45RFE Transmission  
 DEH = 6-Speed Manual NSG370 Transmission  
 DDD = 5-Speed HD Manual Transmission  
 DDK = 5-Speed HD Manual Transmission

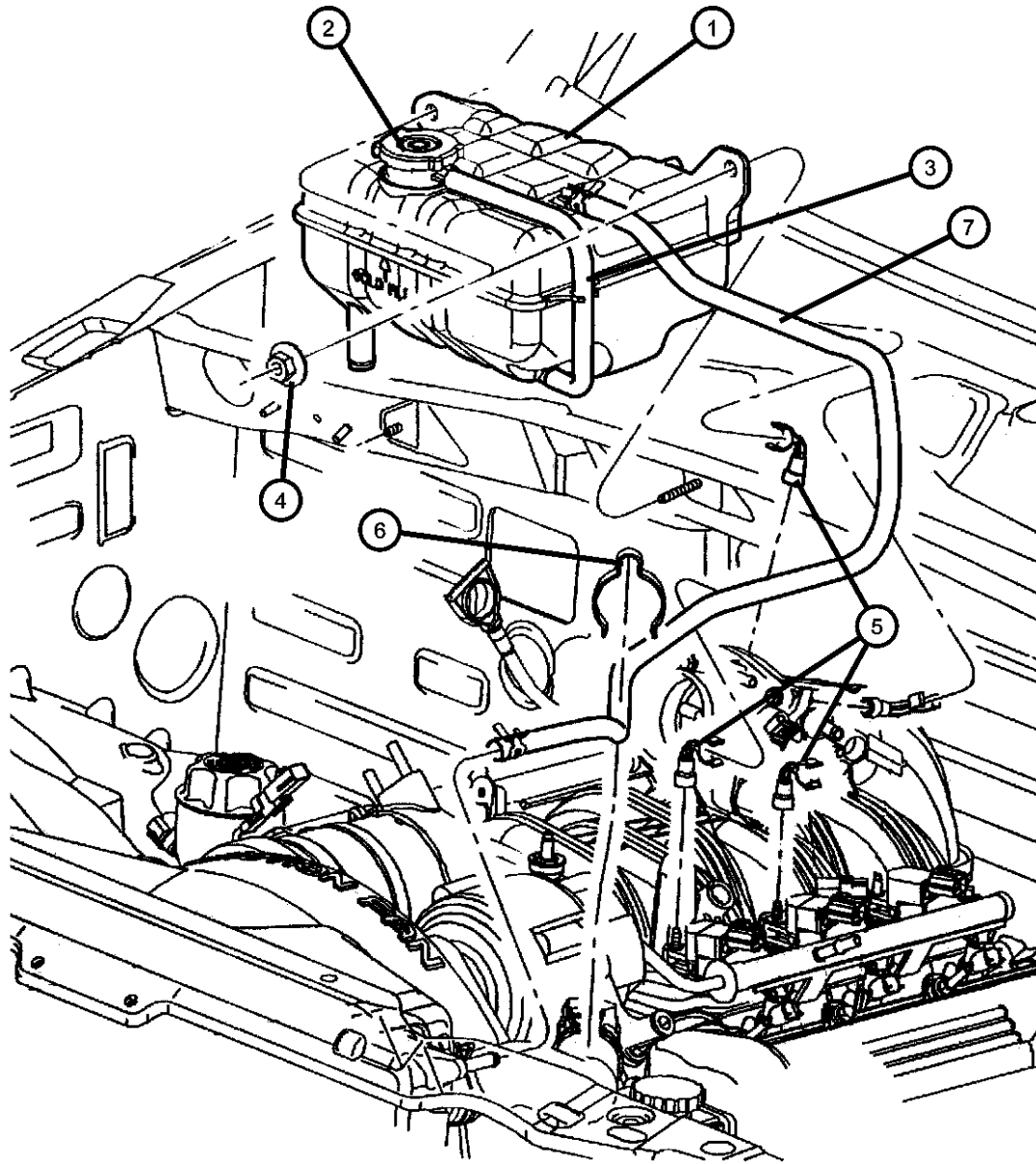
AR = use ase required    - = Non illustrated part

**Coolant Tank, 3.7L Engine  
Figure 7-310**

ITEM	PART NUMBER	QTY	LINE	SERIES	BODY	ENGINE	TRANS	TRIM	DESCRIPTION
------	-------------	-----	------	--------	------	--------	-------	------	-------------

Note: Sales Codes  
[EK0] = All 3.7L, 6 Cylinder Gas Engines

1	52079788AE	1				EK0			BOTTLE, Pressurized Coolant
2	04596198	1				EK0			CAP, Radiator
3	55037765AB	1				EN0			HOSE, Coolant
4	06506603AA	2				ED0, EK0, EN0			NUT, M6x1.00
5	52128508AC	3				EK0			CLIP, Hose
6	52128508AC	3							CLIP, Hose, 52007404, (NOT SERVICED)
7	05086496AA	1				EK0			HOSE, Overflow, Roll Stock



**LIBERTY (KJ)**

SERIES      LINE  
H = HIGHLINE    T = JEEP - 2WD  
M = MEDIUM     J = JEEP - 4WD  
P = PREMIUM    U = JEEP - 4WD (RHD)

BODY  
74 = SPORT UTILITY 4-DR

ENGINE      TRANSMISSION  
EKG = 3.7L V6 Engine    DG6 = 4-Spd. Automatic 42RLE  
ENR = 2.8L 4 Cyl Turbo Diesel Engine    DGV = 4-Spd. Automatic VLP  
ENJ = 2.5L 4 Cyl 16V Turbo Diesel Engine    DGQ = 5-Spd Automatic 5-45RFE  
ED1 = 2.4L 4 Cyl DOHC 16v SMPI Engine    DEH = 6-Speed Manual NSG370  
Transmission  
DDD = 5-Speed HD Manual Transmission  
DDK = 5-Speed HD Manual Transmission

AR = use ase required - = Non illustrated part

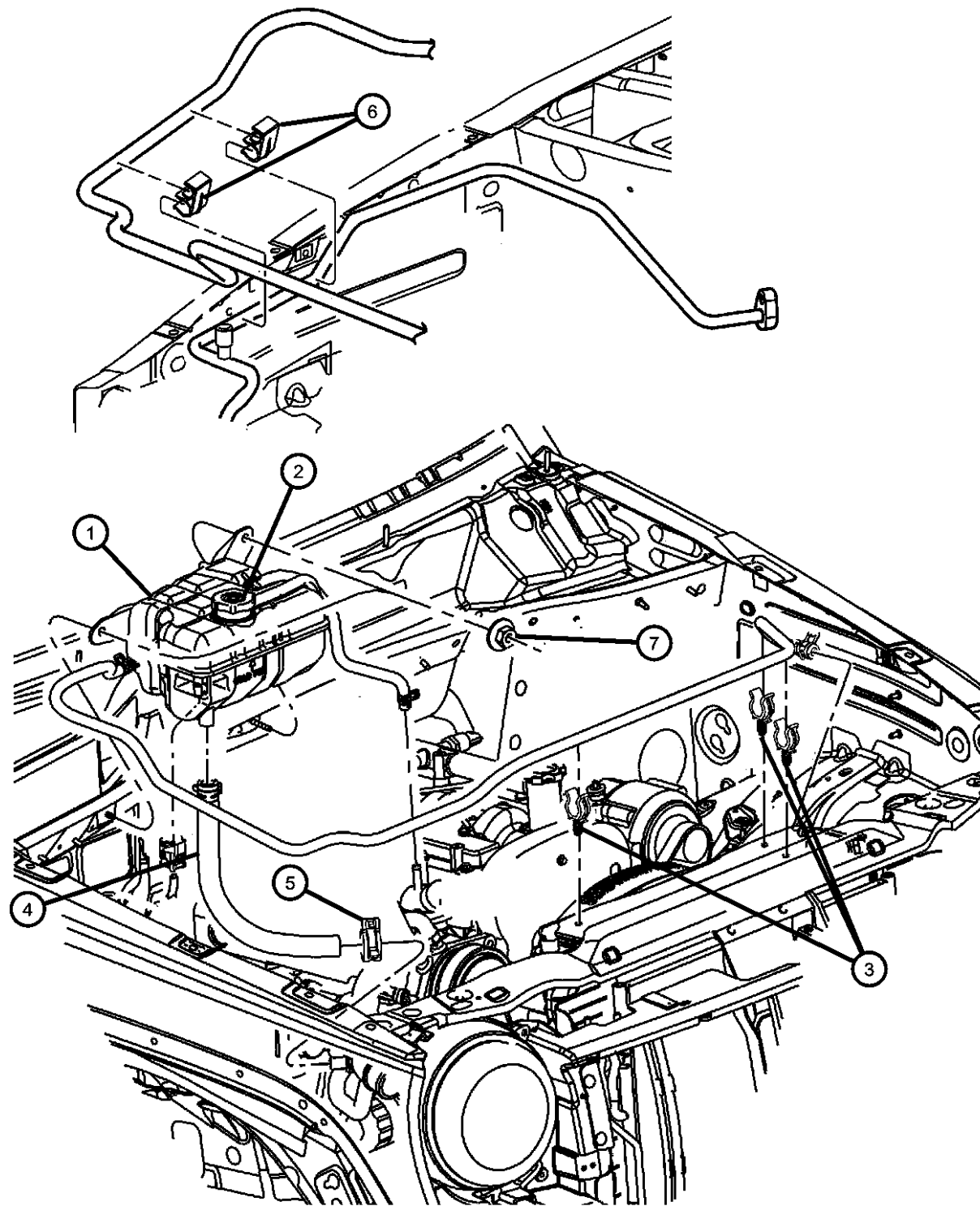
2006 KJ

**Coolant Degasser Tank, 2.8L Diesel Engine  
Figure 7-320**

ITEM	PART NUMBER	QTY	LINE	SERIES	BODY	ENGINE	TRANS	TRIM	DESCRIPTION
------	-------------	-----	------	--------	------	--------	-------	------	-------------

NOTES: Sales Codes:  
[EN0] = ALL 4/5 CYLINDER TURBO DIESEL ENGINES

1	55037731AF	1				EN0			BOTTLE, Pressurized Coolant
2	55037731AF	1							CAP, Radiator, 4596198 - Coolant Bottle Pressure Cap, (NOT SERVICED)
3	52080133AB	2				EN0			CLIP, Hose
4	55037765AB	1				EN0			HOSE, Coolant
5	06502018	2				EN0			CLAMP, Hose, M28.9 x 1.60
6	06502018	2							CLIP, (NOT SERVICED)
7	06502018	2							NUT, M6X1.00, (NOT SERVICED)



**LIBERTY (KJ)**

SERIES	LINE
H = HIGHLINE	T = JEEP - 2WD
M = MEDIUM	J = JEEP - 4WD
P = PREMIUM	U = JEEP - 4WD (RHD)

BODY  
74 = SPORT UTILITY 4-DR

ENGINE	TRANSMISSION
EKG = 3.7L V6 Engine	DG6 = 4-Spd. Automatic 42RLE
ENR = 2.8L 4 Cyl Turbo Diesel Engine	Transmission
ENJ = 2.5L 4 Cyl 16V Turbo Diesel Engine	DGV = 4-Spd. Automatic VLP
ED1 = 2.4L 4 Cyl DOHC 16v SMPI Engine	Transmission
	DGQ = 5-Spd Automatic 5-45RFE
	Transmission
	DEH = 6-Speed Manual NSG370
	Transmission
	DDD = 5-Speed HD Manual
	Transmission
	DDK = 5-Speed HD Manual
	Transmission

AR = use ase required - = Non illustrated part

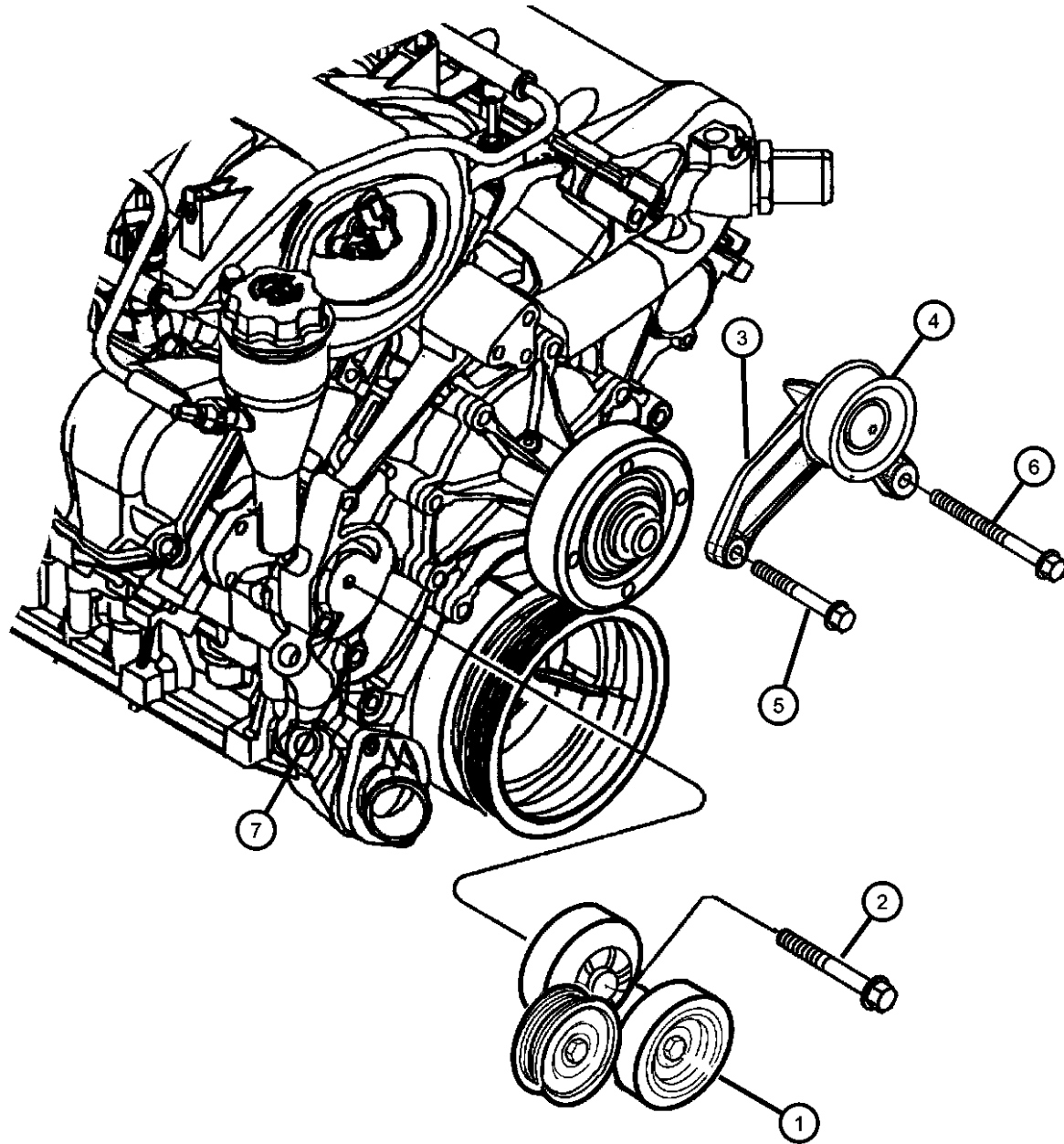
2006 KJ

Drive Pulleys, 3.7L Engine  
Figure 7-420

ITEM	PART NUMBER	QTY	LINE	SERIES	BODY	ENGINE	TRANS	TRIM	DESCRIPTION
------	-------------	-----	------	--------	------	--------	-------	------	-------------

Note: Sales Codes  
[EK0] = ALL 3.7L 6-CYL GAS ENGINES

1	53030958AD	1				EK0			TENSIONER, Alternator Belt
2	06504930AA	1				EK0			SCREW AND WASHER, Hex Head, M10x1.5x70
3	53030959	1				EK0			BRACKET, Idler Pulley, [HC0]
4	53031045	1				EK0			PULLEY, Idler, [HC0]
5	06505487AA	1				EK0			SCREW AND WASHER, M10x1.5x45
6	06504344	1				EK0			SCREW AND WASHER, Hex Head
7	06507856AA	1				EK0			SCREW AND WASHER



LIBERTY (KJ)

SERIES	LINE
H = HIGHLINE	T = JEEP - 2WD
M = MEDIUM	J = JEEP - 4WD
P = PREMIUM	U = JEEP - 4WD (RHD)

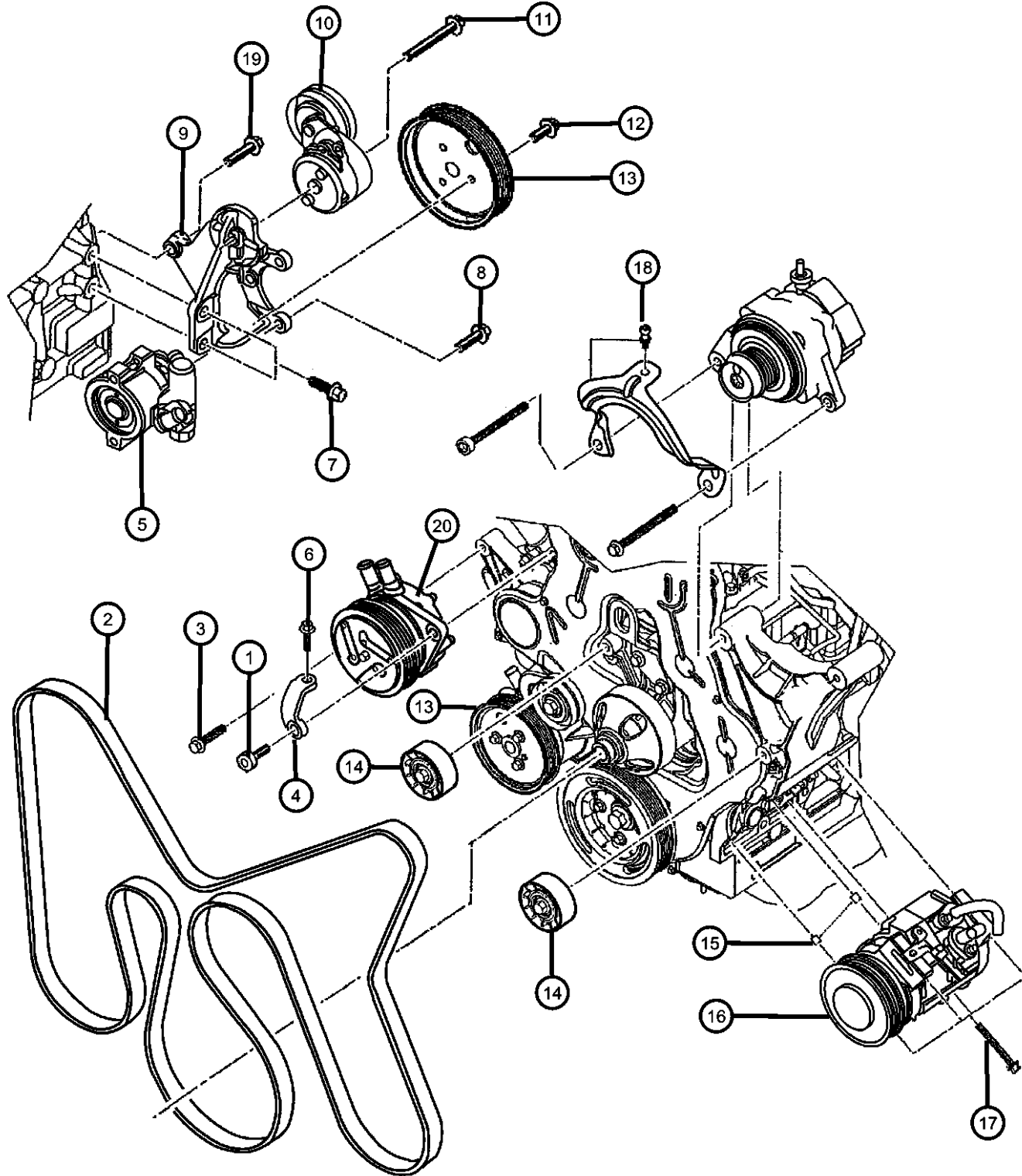
BODY
74 = SPORT UTILITY 4-DR

ENGINE	TRANSMISSION
EKG = 3.7L V6 Engine	DG6 = 4-Spd. Automatic 42RLE
ENR = 2.8L 4 Cyl Turbo Diesel Engine	Transmission
ENJ = 2.5L 4 Cyl 16V Turbo Diesel Engine	DGV = 4-Spd. Automatic VLP
ED1 = 2.4L 4 Cyl DOHC 16v SMPI Engine	Transmission
	DGQ = 5-Spd Automatic 5-45RFE
	Transmission
	DEH = 6-Speed Manual NSG370
	Transmission
	DDD = 5-Speed HD Manual
	Transmission
	DDK = 5-Speed HD Manual
	Transmission

AR = use ase required - = Non illustrated part

2006 KJ

Drive Pulleys, 2.8L Diesel Engine  
Figure 7-430



ITEM	PART NUMBER	QTY	LINE	SERIES	BODY	ENGINE	TRANS	TRIM	DESCRIPTION
Ote; Sales Codes									
[EN0]= All 4 Cylinder Diesel Engine									
1	05093933AA	1				EN0	DBB		SCREW
2	05072437AC	1				EN0	DBB		BELT, Accessory Drive
3	05003533AB	4				EN0	DBB		BOLT, M10x45
4	05142647AA	1				EN0	DBB		BRACKET
5	52088712AC	1				EN0	DBB		PUMP, Power Steering
	05166226AA								Mopar Power Steering Fluid Pint
6	05003557AA	2				EN0	DBB		SCREW
7	05003532AB	10				EN0	DBB		BOLT, Adaptor Plate
8	05066986AA	1				EN0	DBB		SCREW
9	05093935AA	1				EN0	DBB		BRACKET, Tensioner
10	05072440AB	1				EN0	DBB		TENSIONER, Belt
11	05015612AB	1				EN0	DBB		SCREW
12	05003554AB	1				EN0	DBB		BOLT
13	05072441AA	1				EN0	DG0		PULLEY, Power Steering Pump
14	05066938AA	2				EN0	DBB		PULLEY, Idler
15	05066930AA	1				EN0	DBB		PIN
16	55037467AC	1				EN0	DBB		COMPRESSOR, Air Conditioning
17	05015032AA	4				EN0	DBB		SCREW
18	05093941AA	1				EN0	DBB		SCREW
19	04897253AB	4				EN0	DBB		BOLT, Hex Flange Head, M10x35
20	55037539AA	1				EN0	DBB		HEATER, Engine

<b>LIBERTY (KJ)</b>				
SERIES	LINE	BODY	ENGINE	TRANSMISSION
H = HIGHLINE	T = JEEP - 2WD	74 = SPORT UTILITY 4-DR	EKG = 3.7L V6 Engine	DG6 = 4-Spd. Automatic 42RLE
M = MEDIUM	J = JEEP - 4WD		ENR = 2.8L 4 Cyl Turbo Diesel Engine	Transmission
P = PREMIUM	U = JEEP - 4WD (RHD)		ENJ = 2.5L 4 Cyl 16V Turbo Diesel Engine	DGV = 4-Spd. Automatic VLP
			ED1 = 2.4L 4 Cyl DOHC 16v SMPI Engine	Transmission
				DGQ = 5-Spd Automatic 5-45RFE
				Transmission
				DEH = 6-Speed Manual NSG370
				Transmission
				DDD = 5-Speed HD Manual
				Transmission
				DDK = 5-Speed HD Manual
				Transmission

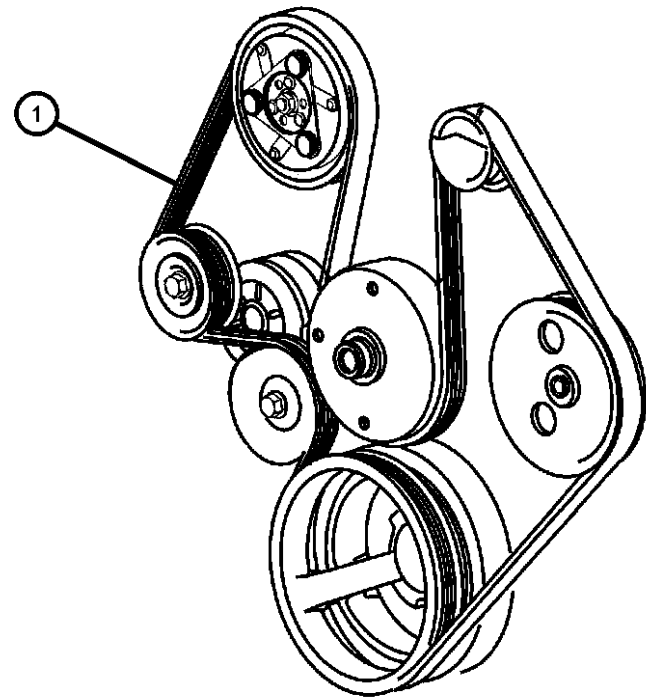
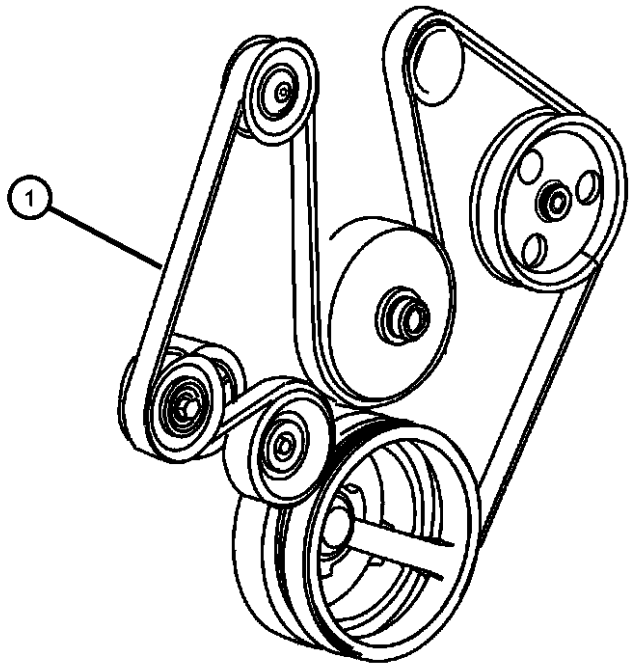
AR = use ase required - = Non illustrated part

Drive Belts, 3.7L Engine  
Figure 7-520

ITEM	PART NUMBER	QTY	LINE	SERIES	BODY	ENGINE	TRANS	TRIM	DESCRIPTION
------	-------------	-----	------	--------	------	--------	-------	------	-------------

Note; Sales Codes  
[EK0] = All 3.7L, 6 Cylinder Gas Engines

1	53013905AA	1				EK0			BELT, Accessory Drive, with or without Air Conditioning
---	------------	---	--	--	--	-----	--	--	---



LIBERTY (KJ)

SERIES	LINE
H = HIGHLINE	T = JEEP - 2WD
M = MEDIUM	J = JEEP - 4WD
P = PREMIUM	U = JEEP - 4WD (RHD)

BODY
74 = SPORT UTILITY 4-DR

ENGINE	TRANSMISSION
EKG = 3.7L V6 Engine	DG6 = 4-Spd. Automatic 42RLE
ENR = 2.8L 4 Cyl Turbo Diesel Engine	Transmission
ENJ = 2.5L 4 Cyl 16V Turbo Diesel Engine	DGV = 4-Spd. Automatic VLP
ED1 = 2.4L 4 Cyl DOHC 16v SMPI Engine	Transmission
	DGQ = 5-Spd Automatic 5-45RFE
	Transmission
	DEH = 6-Speed Manual NSG370
	Transmission
	DDD = 5-Speed HD Manual
	Transmission
	DDK = 5-Speed HD Manual
	Transmission

AR = use ase required - = Non illustrated part

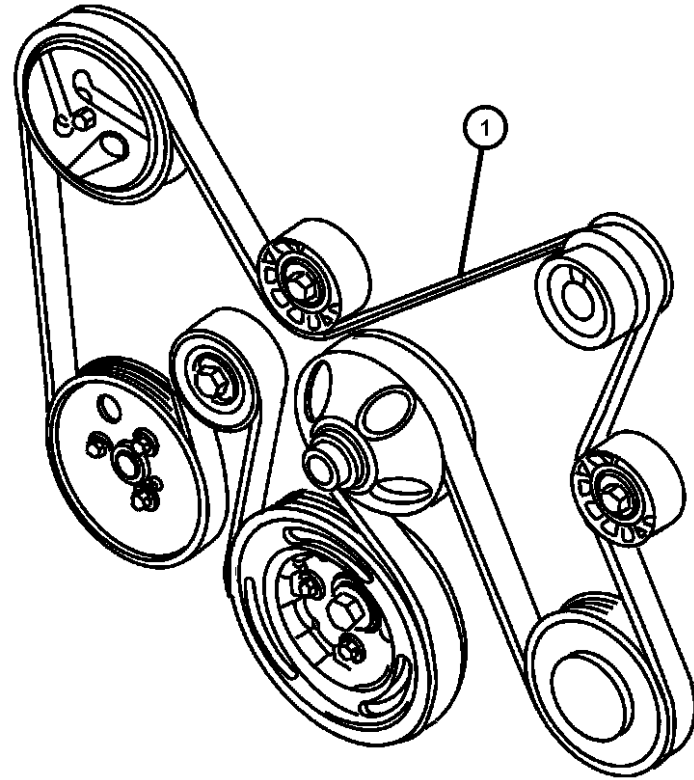
2006 KJ

**Drive Belts, 2.8L Diesel Engine  
Figure 7-530**

ITEM	PART NUMBER	QTY	LINE	SERIES	BODY	ENGINE	TRANS	TRIM	DESCRIPTION
------	-------------	-----	------	--------	------	--------	-------	------	-------------

Note; Sales Codes  
[EN0]= All 4 Cylinder Diesel Engines

1	05072437AC	1				EN0	DBB		BELT, Accessory Drive
---	------------	---	--	--	--	-----	-----	--	-----------------------



**LIBERTY (KJ)**

SERIES	LINE
H = HIGHLINE	T = JEEP - 2WD
M = MEDIUM	J = JEEP - 4WD
P = PREMIUM	U = JEEP - 4WD (RHD)

BODY  
74 = SPORT UTILITY 4-DR

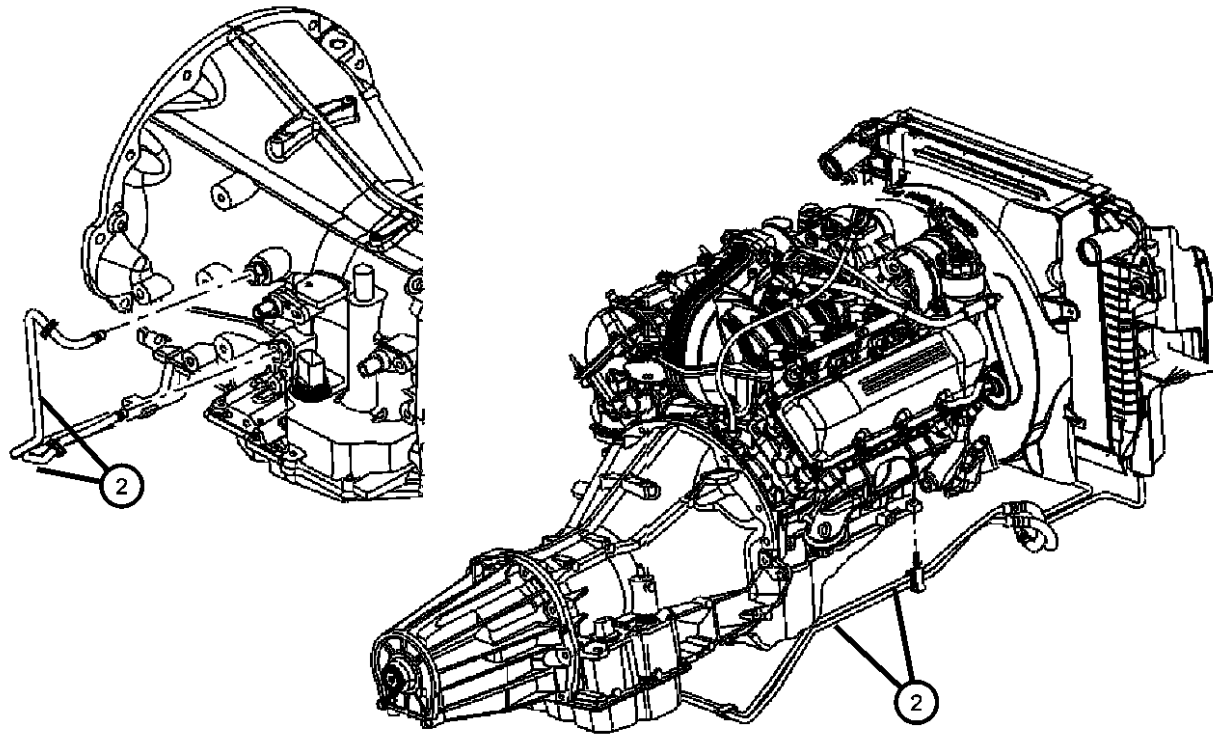
ENGINE	TRANSMISSION
EKG = 3.7L V6 Engine	DG6 = 4-Spd. Automatic 42RLE
ENR = 2.8L 4 Cyl Turbo Diesel Engine	Transmission
ENJ = 2.5L 4 Cyl 16V Turbo Diesel Engine	DGV = 4-Spd. Automatic VLP
ED1 = 2.4L 4 Cyl DOHC 16v SMPI Engine	Transmission
	DGQ = 5-Spd Automatic 5-45RFE
	Transmission
	DEH = 6-Speed Manual NSG370
	Transmission
	DDD = 5-Speed HD Manual
	Transmission
	DDK = 5-Speed HD Manual
	Transmission

AR = use ase required - = Non illustrated part

2006 KJ



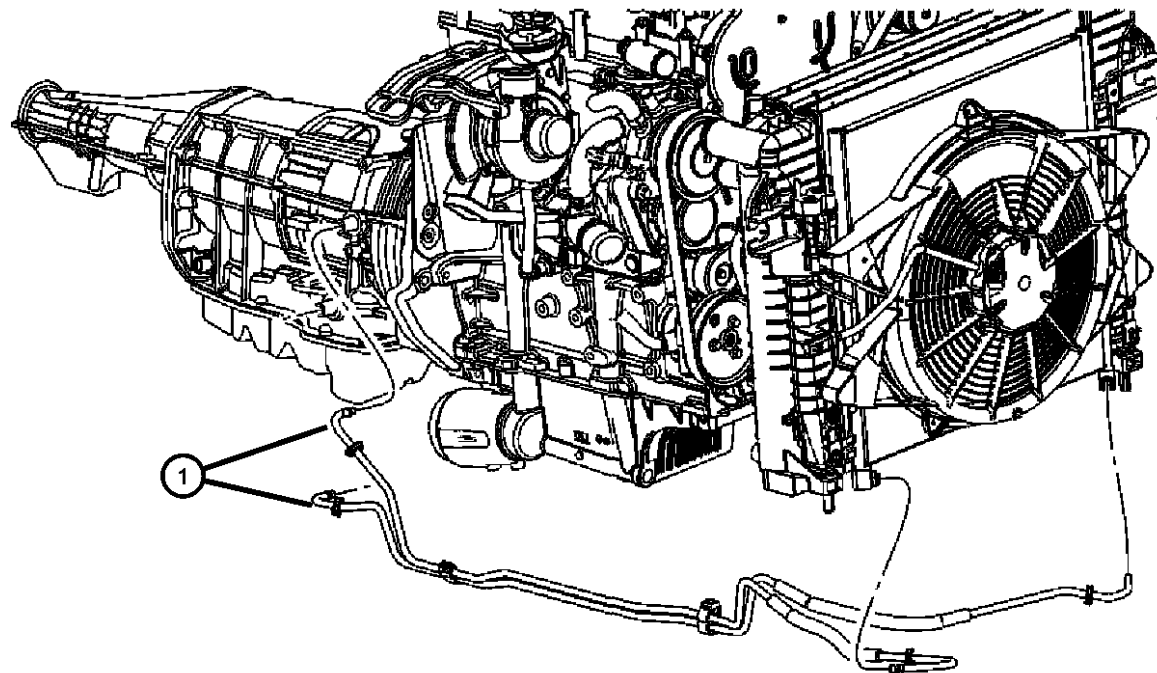
Oil Cooler Lines  
Figure 7-610



ITEM	PART NUMBER	QTY	LINE	SERIES	BODY	ENGINE	TRANS	TRIM	DESCRIPTION
------	-------------	-----	------	--------	------	--------	-------	------	-------------

Note; Sales Codes  
[DG0] = All Automatic Transmissions  
[EN0] = All 4/5 Cylinder Turbo Diesel Engines

1	55037785AC	1					DG6		TUBE & HOSE, Supply & Return
	55037785AD	1	J, T, U				DG6, DGV		
2	55037734AD	1				EN0	DG0		TUBE & HOSE, Supply & Return



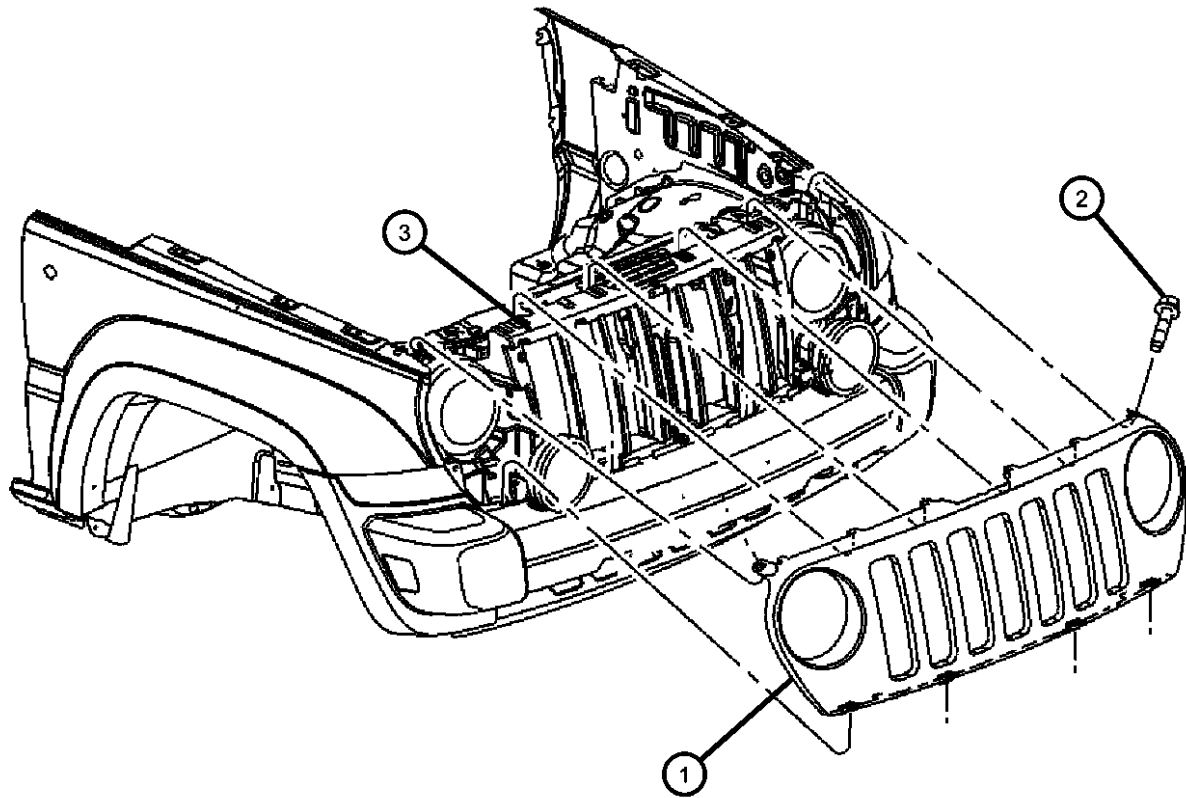
<b>LIBERTY (KJ)</b>				
SERIES	LINE	BODY	ENGINE	TRANSMISSION
H = HIGHLINE	T = JEEP - 2WD	74 = SPORT UTILITY 4-DR	EKG = 3.7L V6 Engine	DG6 = 4-Spd. Automatic 42RLE
M = MEDIUM	J = JEEP - 4WD		ENR = 2.8L 4 Cyl Turbo Diesel Engine	Transmission
P = PREMIUM	U = JEEP - 4WD (RHD)		ENJ = 2.5L 4 Cyl 16V Turbo Diesel Engine	DGV = 4-Spd. Automatic VLP
			ED1 = 2.4L 4 Cyl DOHC 16v SMPI Engine	Transmission
				DGQ = 5-Spd Automatic 5-45RFE
				Transmission
				DEH = 6-Speed Manual NSG370
				Transmission
				DDD = 5-Speed HD Manual
				Transmission
				DDK = 5-Speed HD Manual
				Transmission

AR = use ase required - = Non illustrated part

**Grille and Related Parts  
Figure 7-710**

ITEM	PART NUMBER	QTY	LINE	SERIES	BODY	ENGINE	TRANS	TRIM	DESCRIPTION
------	-------------	-----	------	--------	------	--------	-------	------	-------------

NOTES; Sales Codes:  
[DBB] = ALL MANUAL TRANSMISSIONS  
[EN0-] = ALL 4/5 CYLINDER TURBO DIESEL ENGINES



1									GRILLE, Radiator
	55156805AD	1							[MFZ], Chrome
	5JJ85AJCAE	1							[JC] [MFK,-LNJ]
	5JJ85ARHAE	1							[RH] [MFK,-LNJ]
	5JJ85BB8AE	1							[B8] [MFK,-LNJ]
	5JJ85BJTAE	1							[JT] [MFK,-LNJ]
	5JJ85CGVAE	1							[GV] [MFK,-LNJ]
	5JJ85DX8AE	1							[X8] [MFK,-LNJ]
	5JJ85SW1AE	1							[W1] [MFK,-LNJ]
	5JJ85WS2AE	1							[S2] [MFK,-LNJ]
	5JJ85ZBJAE	1							[BJ] [MFK,-LNJ]
	5JJ86ARHAE	1							[RH][LNJ]
	5JJ86BB8AE	1							[B8][LNJ]
	5JJ86BJTAE	1							[JT][LNJ]
	5JJ86CGVAE	1							[GV][LNJ]
	5JJ86DX8AE	1							[X8][LNJ]
	5JJ86AJCAE	1							[JC][LNJ]
	5JJ86WS2AE	1							[S2][LNJ]
	5JJ86ZBJAE	1							[BJ][LNJ]
	5JR27AJCAD	1							[JC]
	5JR27ARHAD	1							[RH]
	5JR27BB8AD	1							[B8]
	5JJ86EGJAE	1			U, J, T				[GL] [LNJ]
	5JJ86SW1AE	1							[W1][LNJ]
	5JR27DX8AD	1							[X8]
	5JR27EGJAD	1			J, T, U				[MFK]
	5JR27WS2AD	1							[S2]
	5JR27BJTAD	1							[JT]

**LIBERTY (KJ)**

SERIES	LINE
H = HIGHLINE	T = JEEP - 2WD
M = MEDIUM	J = JEEP - 4WD
P = PREMIUM	U = JEEP - 4WD (RHD)

BODY  
74 = SPORT UTILITY 4-DR

ENGINE  
EKG = 3.7L V6 Engine  
ENR = 2.8L 4 Cyl Turbo Diesel Engine  
ENJ = 2.5L 4 Cyl 16V Turbo Diesel Engine  
ED1 = 2.4L 4 Cyl DOHC 16v SMPI Engine

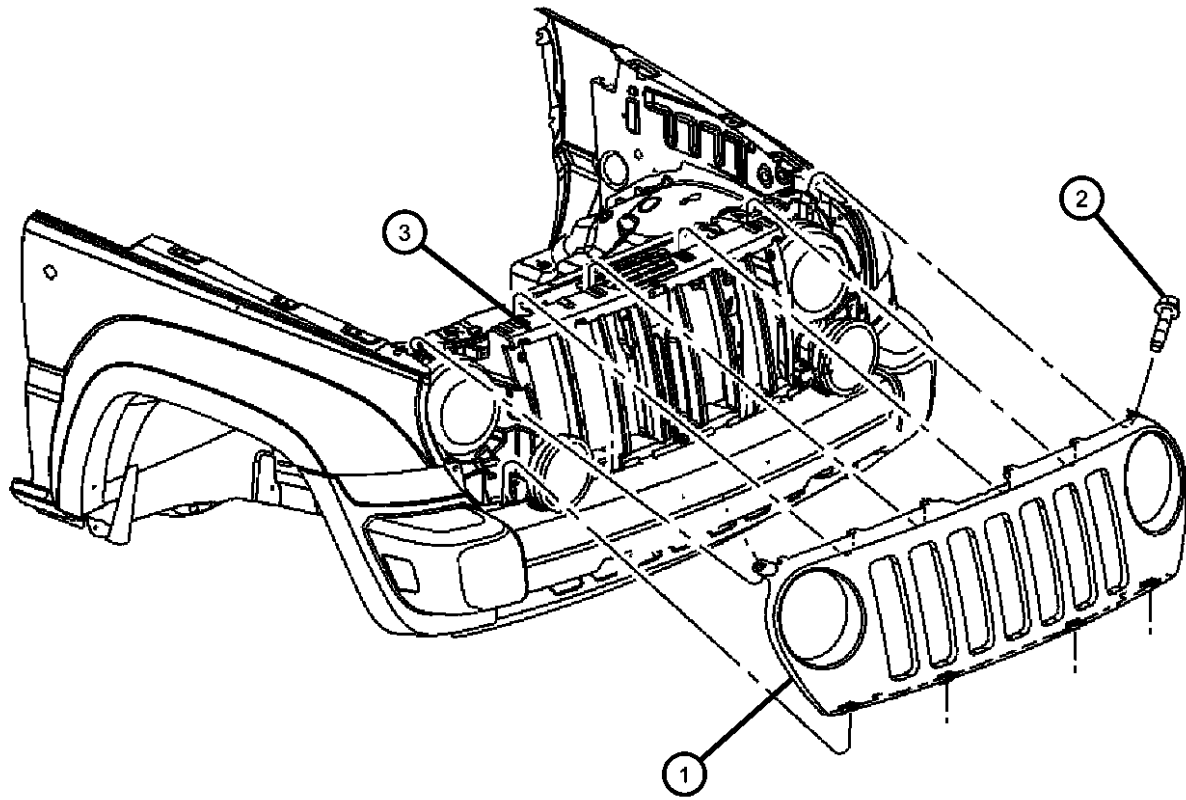
TRANSMISSION  
DG6 = 4-Spd. Automatic 42RLE Transmission  
DGV = 4-Spd. Automatic VLP Transmission  
DGQ = 5-Spd Automatic 5-45RFE Transmission  
DEH = 6-Speed Manual NSG370 Transmission  
DDD = 5-Speed HD Manual Transmission  
DDK = 5-Speed HD Manual Transmission

AR = use ase required - = Non illustrated part

2006 KJ

**Grille and Related Parts  
Figure 7-710**

ITEM	PART NUMBER	QTY	LINE	SERIES	BODY	ENGINE	TRANS	TRIM	DESCRIPTION
	5JR27CGVAD	1							[GV]
	5JR27EGJAE	1	J, T, U						[GL]
2	04720658	1				EN0	DBB		SCREW
3									REINFORCEMENT, Grille Opening
	55156755AF	1	J, T						H and P series
		1	J			ED0, EK0			H and P series
		1	U			ED0, EK0			H and P series
		1	U			EN0			H and P series
		1	J			EN0			H and P series
	55156968AF	1	J, T						M series
		1	J						M series
-4									INSERT
	55156868AA	1							
	55156894AB	1							[LNJ] With Fog Lamps



**LIBERTY (KJ)**

SERIES      LINE  
H = HIGHLINE    T = JEEP - 2WD  
M = MEDIUM      J = JEEP - 4WD  
P = PREMIUM      U = JEEP - 4WD (RHD)

BODY  
74 = SPORT UTILITY 4-DR

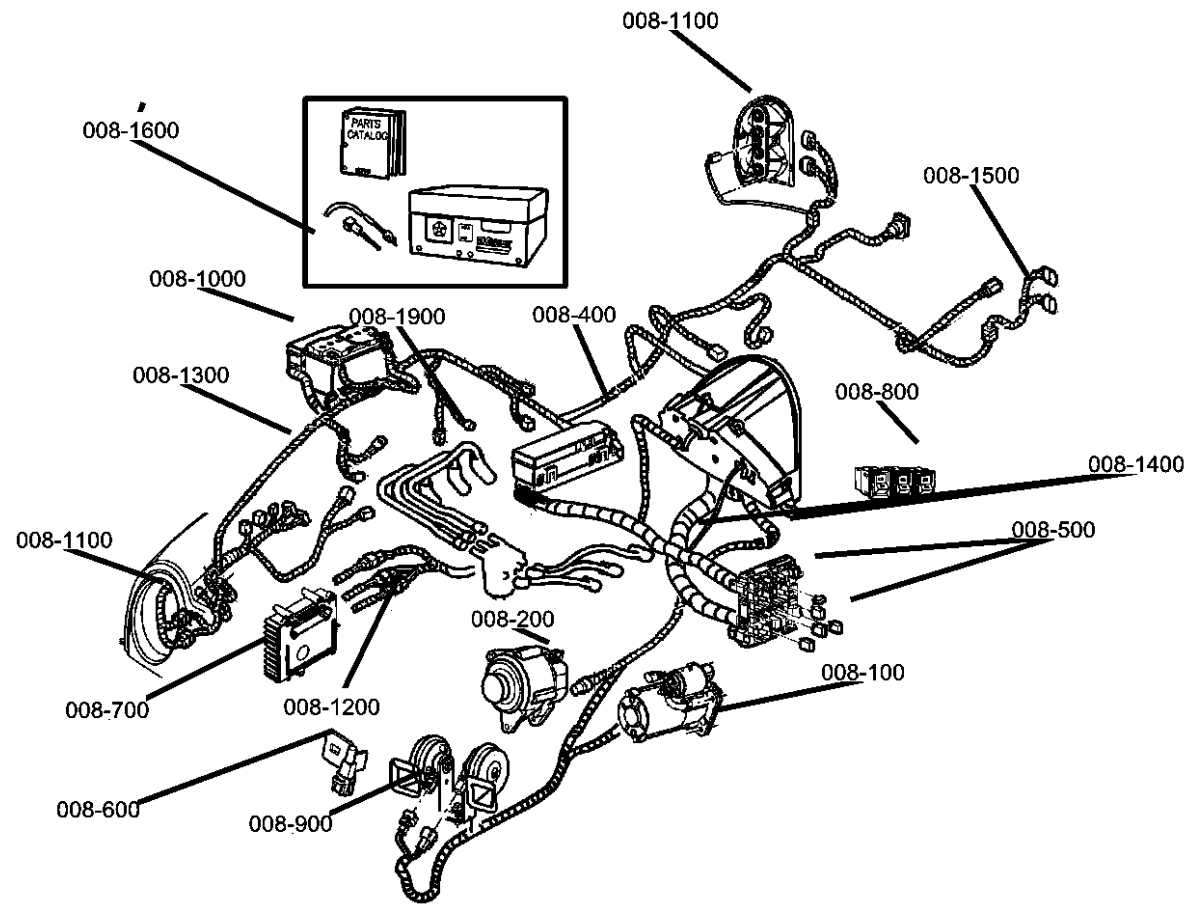
ENGINE      TRANSMISSION  
EKG = 3.7L V6 Engine      DG6 = 4-Spd. Automatic 42RLE  
ENR = 2.8L 4 Cyl Turbo Diesel Engine      DG7 = 4-Spd. Automatic VLP  
ENJ = 2.5L 4 Cyl 16V Turbo Diesel Engine      DGQ = 5-Spd Automatic 5-45RFE  
ED1 = 2.4L 4 Cyl DOHC 16v SMPI Engine      DEH = 6-Speed Manual NSG370  
Transmission  
DDD = 5-Speed HD Manual Transmission  
DDK = 5-Speed HD Manual Transmission

AR = use ase required - = Non illustrated part

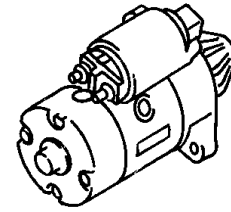
2006 KJ

# Group - 8

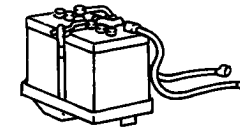
## Electrical



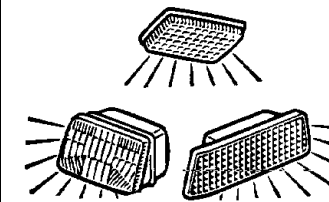
**008-100**  
Starters



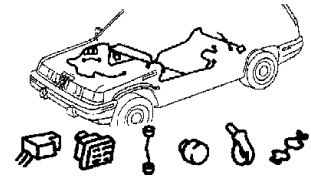
**008-1000**  
Battery Tray, Cables and Block Heaters



**008-1100**  
Lamps - Front, Rear and Courtesy



**008-1200**  
Wiring-Engine & Related Parts



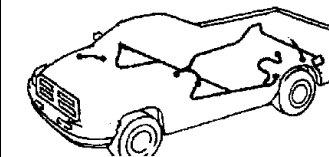
**008-1300**  
Wiring-Headlamp to Dash



**008-1400**  
Wiring-Instrument Panel

**WIRING INSTR. PANEL**

**008-1500**  
Wiring-Body & Accessories



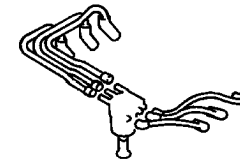
**008-1600**  
Wiring Repair

**WIRING REPAIR PKG.**

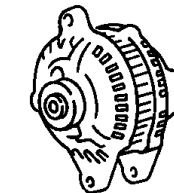
**008-1700**  
Air Bag Systems



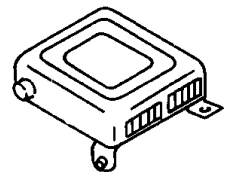
**008-1900**  
Spark Plugs-Cables-Coils



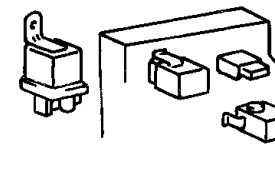
**008-200**  
Alternators



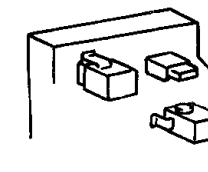
**008-400**  
Modules



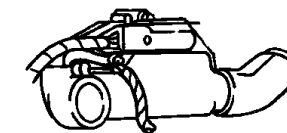
**008-500**  
Relays



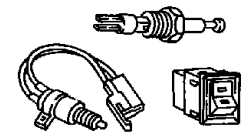
**008-600**  
Sensors



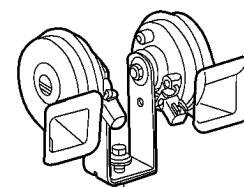
**008-700**  
Single Board Engine Controllers



**008-800**  
Switches



**008-900**  
Horns



## Group - 8 Electrical

Illustration Title

Group-Fig. No.

<b>Starters</b>	
Starter and Mounting [3.7L EK0] .....	Fig. 8 - 110
Starter and Mounting, [2.8L EN0] .....	Fig. 8 - 115

<b>Alternators</b>	
Alternator [3.7L EK0] .....	Fig. 8 - 210
Alternator [2.8L EN0] .....	Fig. 8 - 215

<b>Modules</b>	
Modules .....	Fig. 8 - 405

<b>Relays</b>	
Power Distribution Center, [3.7L EK0] .....	Fig. 8 - 505
Power Distribution Center [2.8L EN0] .....	Fig. 8 - 510
Junction Block, Relays, Circuit Breaker .....	Fig. 8 - 515

<b>Sensors</b>	
Sensors, Engine (3.7L EK0) .....	Fig. 8 - 610
Sensors, Engine (2.8L EN0) .....	Fig. 8 - 615
Sensors, Oxygen [3.7L EK0] .....	Fig. 8 - 625
Sensor (Drive Train) .....	Fig. 8 - 635
Sensor (Body) .....	Fig. 8 - 640

<b>Single Board Engine Controllers</b>	
Powertrain Control Modules .....	Fig. 8 - 705

<b>Switches</b>	
Switches (Instrument Panel and Console) .....	Fig. 8 - 810
Switches (Drive Train) .....	Fig. 8 - 820
Switches (Body) .....	Fig. 8 - 830

<b>Horns</b>	
Horns .....	Fig. 8 - 905

<b>Battery Tray, Cables and Block Heaters</b>	
Battery Tray & Cables .....	Fig. 8 - 1005
Engine Block Heaters .....	Fig. 8 - 1010

<b>Lamps - Front, Rear and Courtesy</b>	
Lamp, Front .....	Fig. 8 - 1105
Lamps Roof (Renegade) .....	Fig. 8 - 1110
Lamp, Rear .....	Fig. 8 - 1115
Lamp, Courtesy .....	Fig. 8 - 1120
Bulbs .....	Fig. 8 - 1125

<b>Wiring-Engine &amp; Related Parts</b>	
Wiring, Engine and Related Parts 4 Cylinder .....	Fig. 8 - 1205
Wiring, Engine and Related Parts 6 cylinder .....	Fig. 8 - 1210
Ground Straps .....	Fig. 8 - 1215

<b>Wiring-Headlamp to Dash</b>	
Wiring, Headlamp to Dash .....	Fig. 8 - 1305

<b>Wiring-Instrument Panel</b>	
Wiring Instrument Panel .....	Fig. 8 - 1405

<b>Wiring-Body &amp; Accessories</b>	
Wiring, Body & Accessories .....	Fig. 8 - 1505
Wiring Doors and Tail Gate .....	Fig. 8 - 1510
Wiring Seats .....	Fig. 8 - 1515

<b>Wiring Repair</b>	
Wiring, Repair Package .....	Fig. 8 - 1610

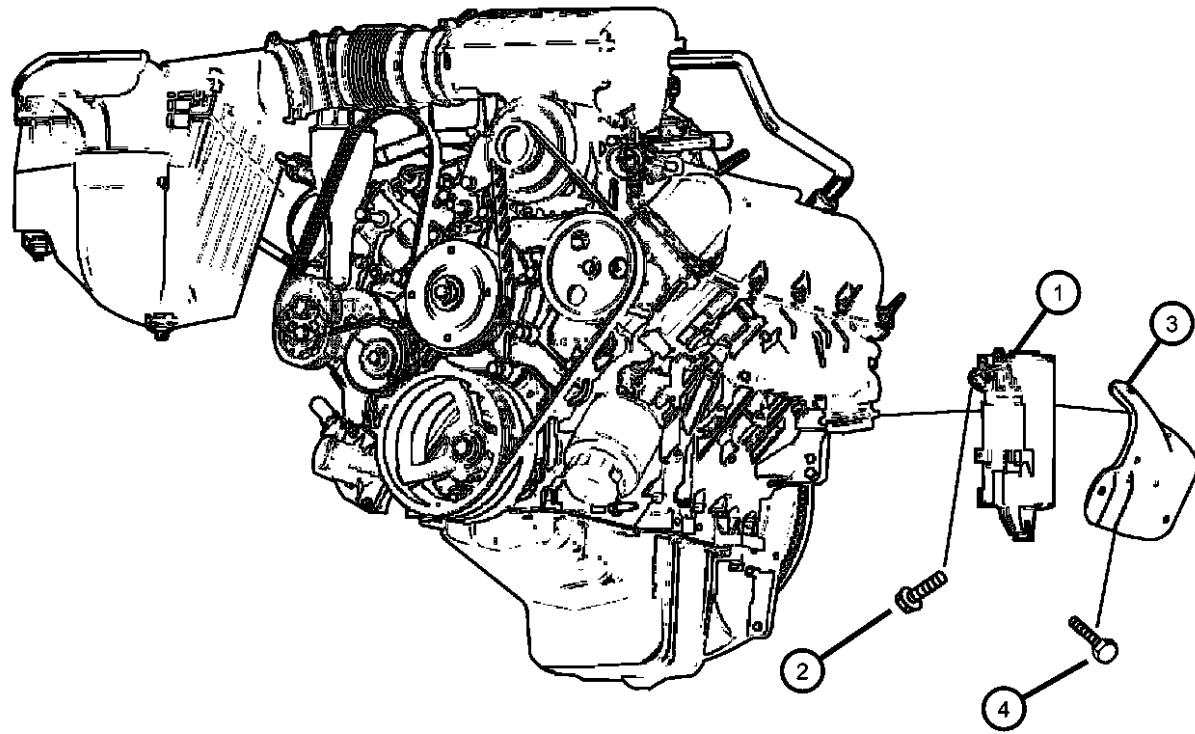
<b>Air Bag Systems</b>	
Air Bag Module and Sensors .....	Fig. 8 - 1705
Air Bags and Clock Spring .....	Fig. 8 - 1710

<b>Spark Plugs-Cables-Coils</b>	
Spark Plug - Coil .....	Fig. 8 - 1905
Glow Plugs .....	Fig. 8 - 1910

**Starter and Mounting [3.7L EK0]  
Figure 8-110**

ITEM	PART NUMBER	QTY	LINE	SERIES	BODY	ENGINE	TRANS	TRIM	DESCRIPTION
1	56044735AB	1				EK0			STARTER
2	06102120AA	2				EK0			SCREW AND WASHER, Hex Head
3	56044116AD	1				EK0			SHIELD, Starter
4	56044116AD	1							SCREW, Hex Flange Head, M12X1.75X110.00, M6x1x12, (NOT SERVICED)

Notes:  
[EK0]=3.7L V6 Engine  
[ED0] = 2.4L 4 Cylinder Engine



**LIBERTY (KJ)**

SERIES      LINE  
H = HIGHLINE    T = JEEP - 2WD  
M = MEDIUM     J = JEEP - 4WD  
P = PREMIUM    U = JEEP - 4WD (RHD)

BODY  
74 = SPORT UTILITY 4-DR

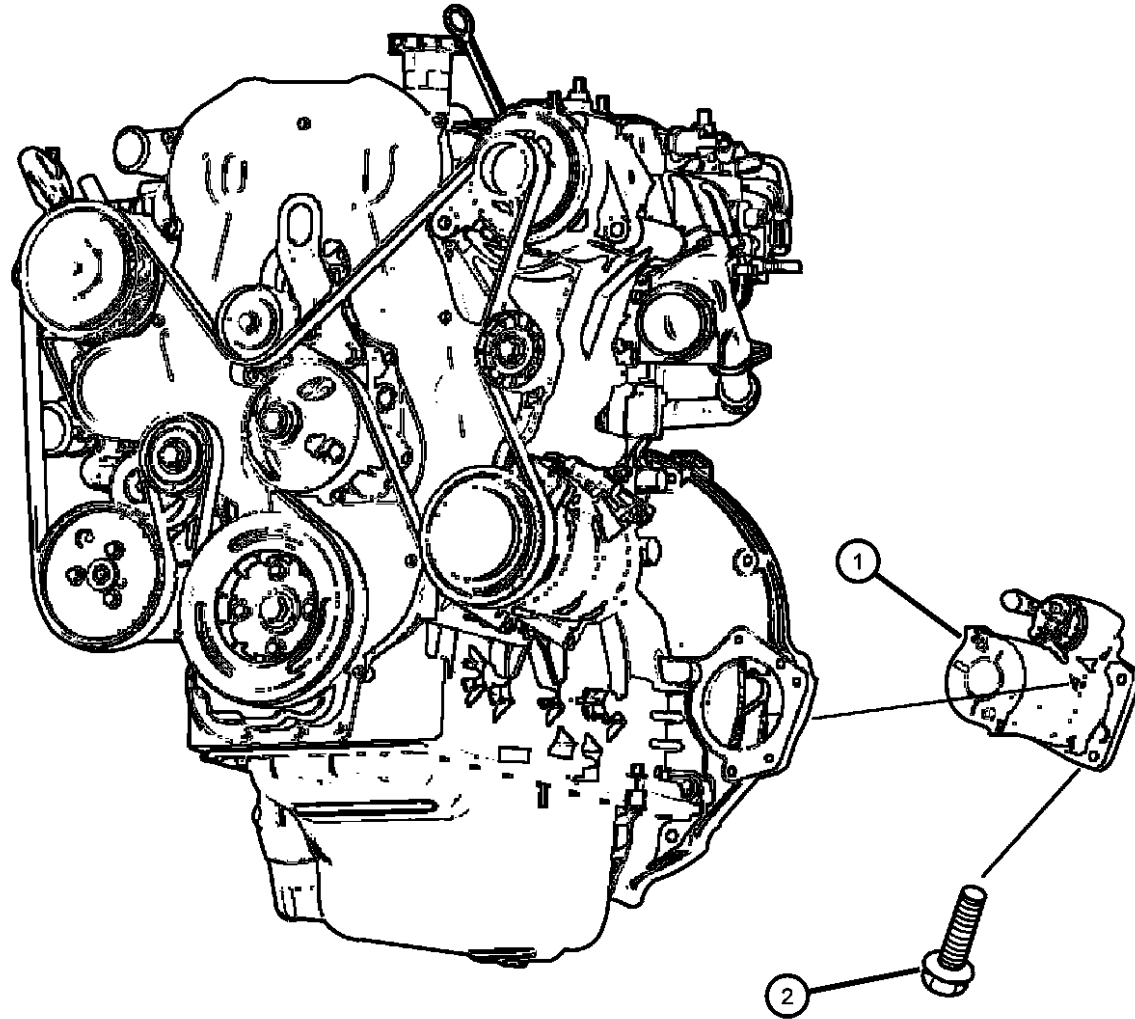
ENGINE      TRANSMISSION  
EKG = 3.7L V6 Engine    DG6 = 4-Spd. Automatic 42RLE  
ENR = 2.8L 4 Cyl Turbo Diesel Engine    DGV = 4-Spd. Automatic VLP  
ENJ = 2.5L 4 Cyl 16V Turbo Diesel Engine    DGQ = 5-Spd Automatic 5-45RFE  
ED1 = 2.4L 4 Cyl DOHC 16v SMPI Engine    DEH = 6-Speed Manual NSG370  
Transmission  
DDD = 5-Speed HD Manual Transmission  
DDK = 5-Speed HD Manual Transmission

AR = use ase required    - = Non illustrated part

2006 KJ

**Starter and Mounting, [2.8L EN0]  
Figure 8-115**

ITEM	PART NUMBER	QTY	LINE	SERIES	BODY	ENGINE	TRANS	TRIM	DESCRIPTION
1	56041579AB	1				EN0			STARTER
2	06504171	3				EN0			SCREW, Hex Flange Head, M8x1.25x32
-3									WASHER, Starter
	04723279	6				EN0	DG0		
		6				EN0	DBB		



**LIBERTY (KJ)**

SERIES      LINE  
H = HIGHLINE    T = JEEP - 2WD  
M = MEDIUM     J = JEEP - 4WD  
P = PREMIUM    U = JEEP - 4WD (RHD)

BODY  
74 = SPORT UTILITY 4-DR

ENGINE      TRANSMISSION  
EKG = 3.7L V6 Engine      DG6 = 4-Spd. Automatic 42RLE  
ENR = 2.8L 4 Cyl Turbo Diesel Engine      DGV = 4-Spd. Automatic VLP  
ENJ = 2.5L 4 Cyl 16V Turbo Diesel Engine      DGQ = 5-Spd Automatic 5-45RFE  
ED1 = 2.4L 4 Cyl DOHC 16v SMPI Engine      DEH = 6-Speed Manual NSG370  
Transmission  
DDD = 5-Speed HD Manual Transmission  
DDK = 5-Speed HD Manual Transmission

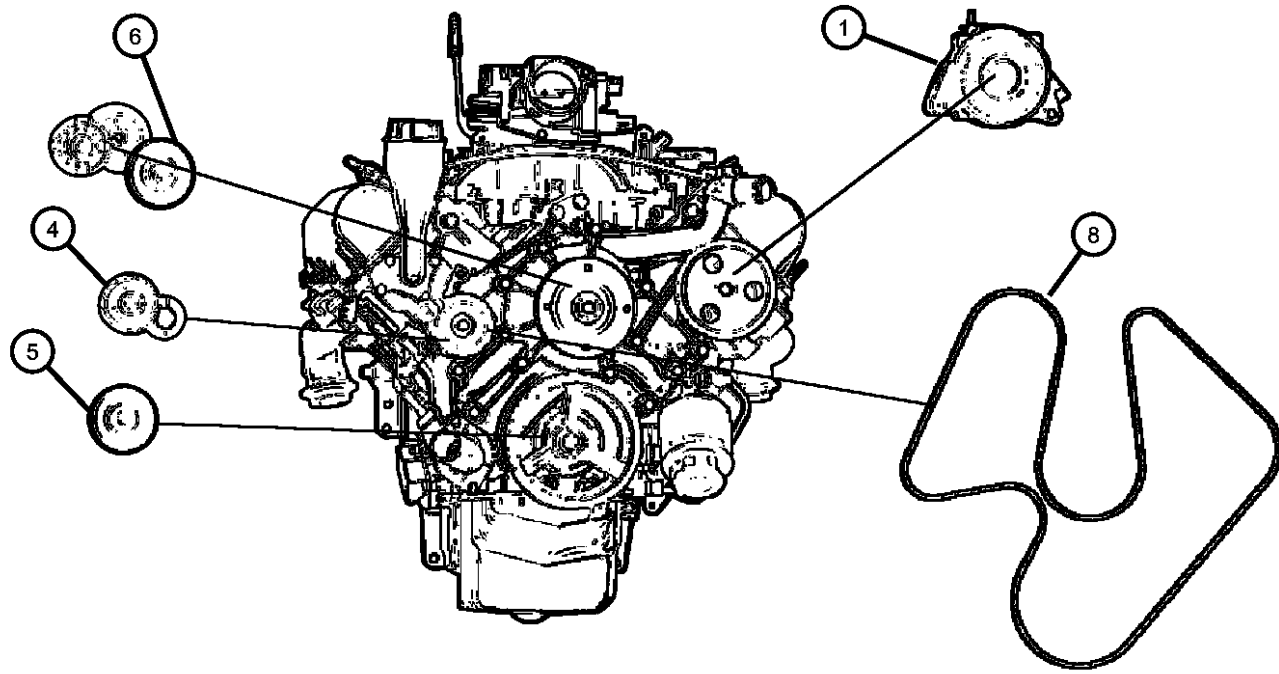
AR = use ase required - = Non illustrated part

**Alternator [3.7L EK0]  
Figure 8-210**

ITEM	PART NUMBER	QTY	LINE	SERIES	BODY	ENGINE	TRANS	TRIM	DESCRIPTION
------	-------------	-----	------	--------	------	--------	-------	------	-------------

Notes:  
[ED0]=2.4L 4 Cylinder Engine  
[EK0] = 3.7L V6 Engine

1									ALTERNATOR
	56029914AA	1		M		EK0			[BAB]
	56041693AC	1		H, P		EK0			[BAZ]
-2	06504344	1				EK0			SCREW AND WASHER, Hex Head, Alternator to Front Cover Attaching
-3	06505482AA	1				EK0			SCREW AND WASHER, Hex Head, M8x1.25x50, Alternator to Cylinder Head
4	53030959	1				EK0			BRACKET, Idler Pulley
5	53031045	1				EK0			PULLEY, Idler
6	53030958AD	1				EK0			TENSIONER, Alternator Belt
-7	06505488AA	1				EK0			SCREW AND WASHER, Hex, Alternator to Front Cover attaching
8	53013905AA	1				EK0			BELT, Accessory Drive



**LIBERTY (KJ)**

SERIES	LINE
H = HIGHLINE	T = JEEP - 2WD
M = MEDIUM	J = JEEP - 4WD
P = PREMIUM	U = JEEP - 4WD (RHD)

BODY  
74 = SPORT UTILITY 4-DR

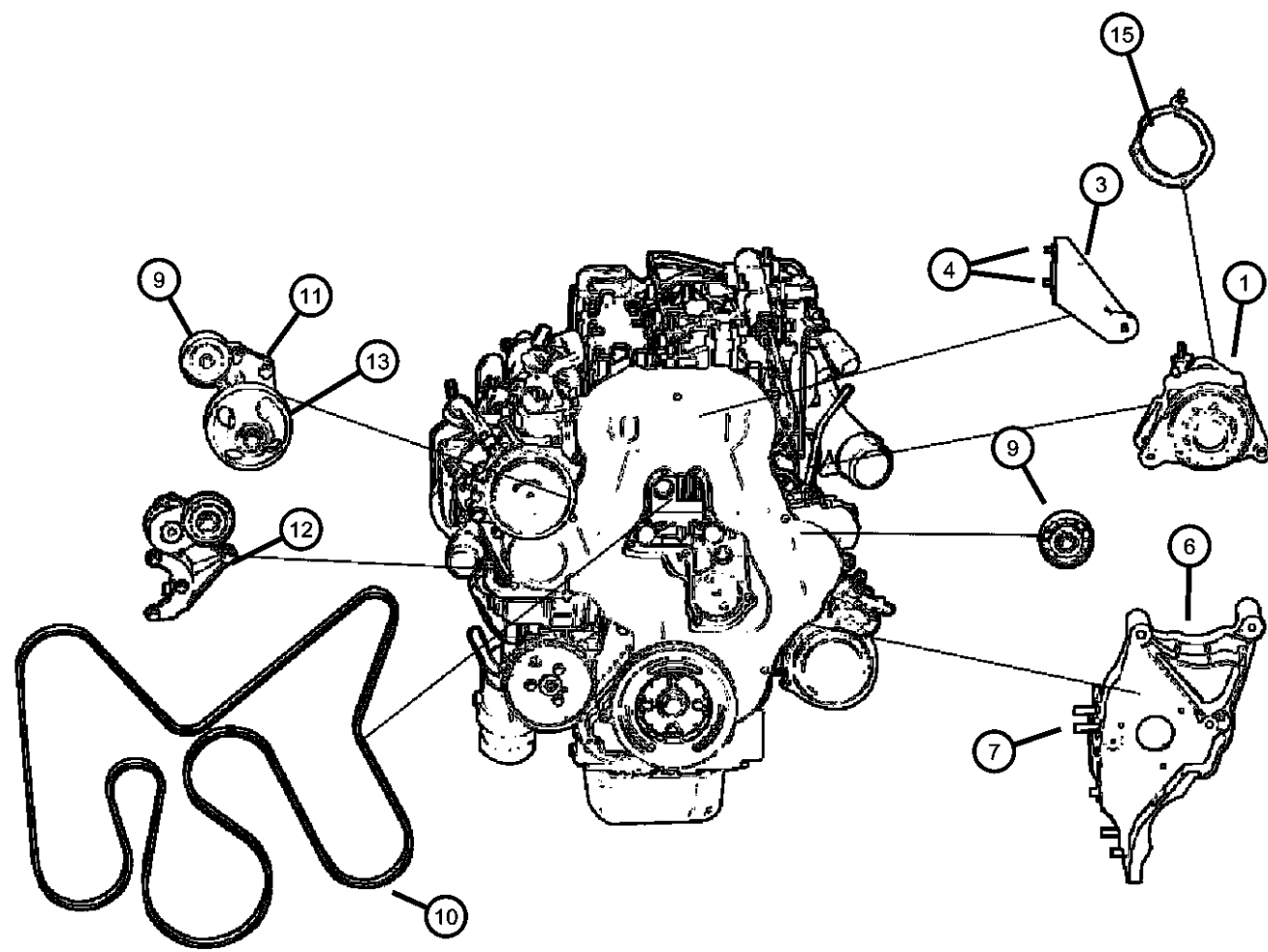
ENGINE	TRANSMISSION
EKG = 3.7L V6 Engine	DG6 = 4-Spd. Automatic 42RLE
ENR = 2.8L 4 Cyl Turbo Diesel Engine	Transmission
ENJ = 2.5L 4 Cyl 16V Turbo Diesel Engine	DGV = 4-Spd. Automatic VLP
ED1 = 2.4L 4 Cyl DOHC 16v SMPI Engine	DGQ = 5-Spd Automatic 5-45RFE
	Transmission
	DEH = 6-Speed Manual NSG370
	Transmission
	DDD = 5-Speed HD Manual
	Transmission
	DDK = 5-Speed HD Manual
	Transmission

AR = use ase required - = Non illustrated part

2006 KJ



**Alternator [2.8L EN0]  
Figure 8-215**



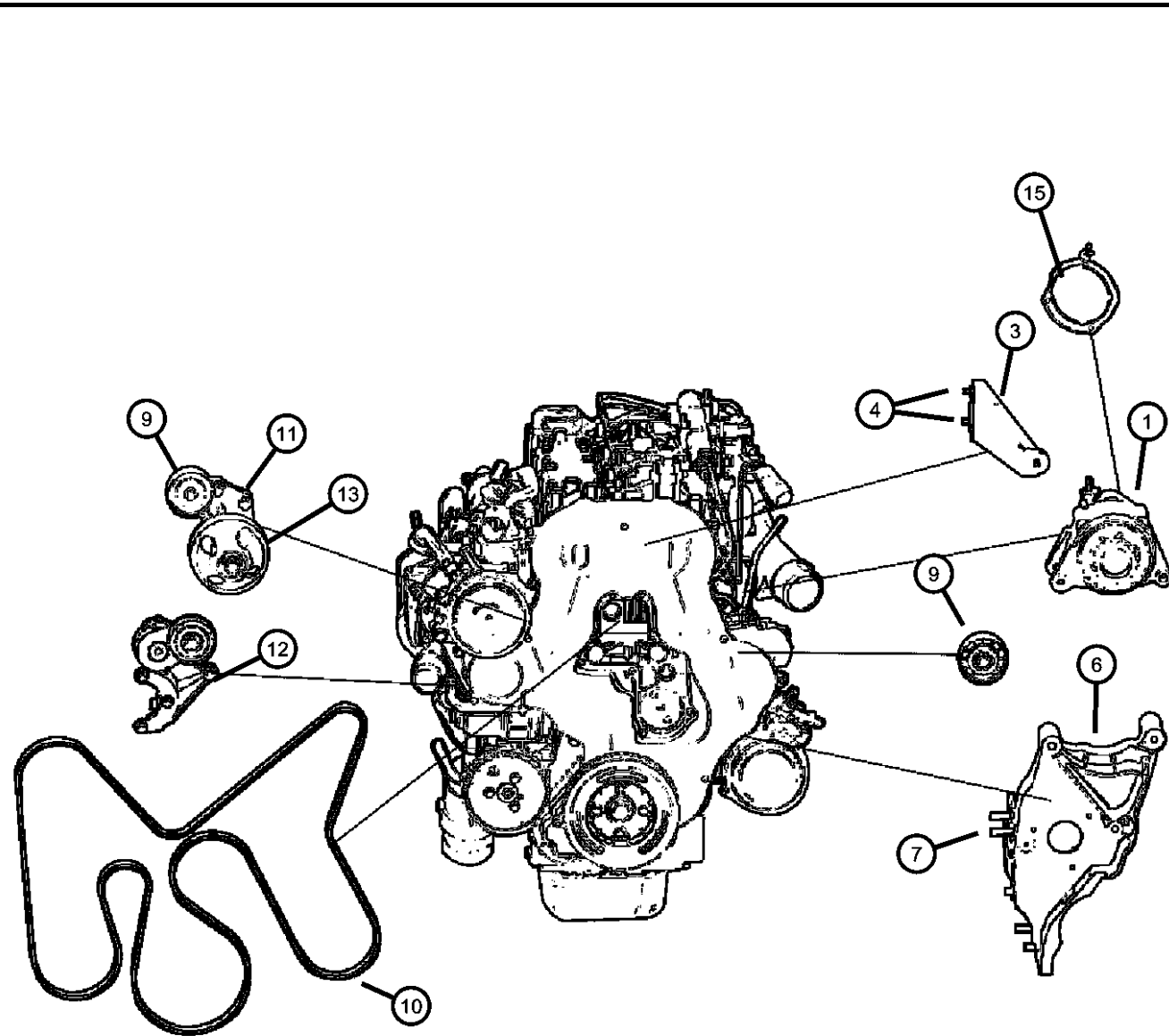
ITEM	PART NUMBER	QTY	LINE	SERIES	BODY	ENGINE	TRANS	TRIM	DESCRIPTION
1	05142615AA	1				EN0	DG0		ALTERNATOR
		1				EN0	DBB		Export
	56044672AB	1				EN0	DG0		
-2	05015067AB	1				EN0	DG0		BOLT, Hex Flange Head
		1				EN0	DBB		
3	05093939AA	1				EN0	DG0		BRACKET, Alternator
		1				EN0	DBB		
4	06501474	1			J, U		DG6		BOLT, Hex Head, M8x1.25x16
		1			T		DG6		
-5	06502696	2							NUT, Hex Flange Lock, M14x1.50
6	05142553AA	1				EN0	DG0		BRACKET, Accessory Mount
		1				EN0	DBB		
7	05003532AB	10				EN0	DG0		BOLT, Adaptor Plate
		10				EN0	DBB		
-8	05066834AA	2				EN0	DBB		PIN
		1				EN0	DG0		
9	05066938AA	2				EN0	DG0		PULLEY, Idler
		2				EN0	DBB		
10									BELT, Accessory Drive

Notes:  
 [EN0]=All 4/5 Cylinder Turbo Diesel Engines  
 [DBB]=All Manual Transmissions  
 [DG0]=All Automatic Transmissions

<b>LIBERTY (KJ)</b>				
SERIES	LINE	BODY	ENGINE	TRANSMISSION
H = HIGHLINE	T = JEEP - 2WD	74 = SPORT UTILITY 4-DR	EKG = 3.7L V6 Engine	DG6 = 4-Spd. Automatic 42RLE
M = MEDIUM	J = JEEP - 4WD		ENR = 2.8L 4 Cyl Turbo Diesel Engine	Transmission
P = PREMIUM	U = JEEP - 4WD (RHD)		ENJ = 2.5L 4 Cyl 16V Turbo Diesel Engine	DGV = 4-Spd. Automatic VLP
			ED1 = 2.4L 4 Cyl DOHC 16v SMPI Engine	Transmission
				DGQ = 5-Spd Automatic 5-45RFE
				Transmission
				DEH = 6-Speed Manual NSG370
				Transmission
				DDD = 5-Speed HD Manual
				Transmission
				DDK = 5-Speed HD Manual
				Transmission

AR = use ase required - = Non illustrated part

Alternator [2.8L EN0]  
Figure 8-215

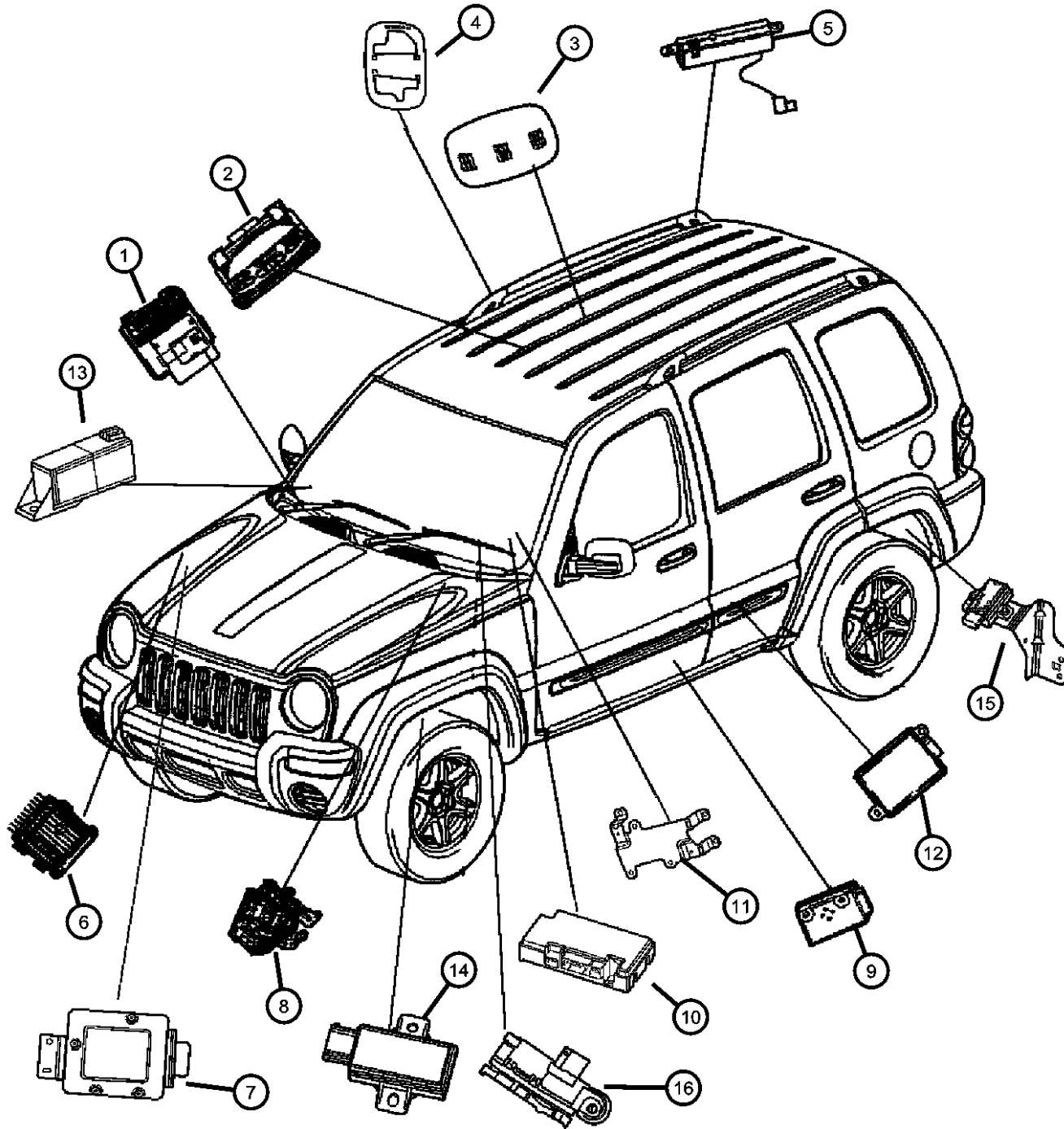


ITEM	PART NUMBER	QTY	LINE	SERIES	BODY	ENGINE	TRANS	TRIM	DESCRIPTION
	05072437AC	1				EN0	DG0		
		1				EN0	DBB		
11	05093935AA	1				EN0	DG0		BRACKET, Tensioner
		1				EN0	DBB		
12	05072440AB	1				EN0	DG0		TENSIONER, Belt
		1				EN0	DBB		
13		1							PUMP, Power Steering, see group 19, (NOT SERVICED)
-14		1							PULLEY, Alternator
	53013554AE	1				EN0	DG0		
		1				EN0	DBB		
15	05142547AA	1				EN0	DG0		BRACKET, Alternator
		1				EN0	DBB		

**LIBERTY (KJ)**  
 SERIES LINE BODY ENGINE TRANSMISSION  
 H = HIGHLINE T = JEEP - 2WD 74 = SPORT UTILITY 4-DR EKG = 3.7L V6 Engine DG6 = 4-Spd. Automatic 42RLE  
 M = MEDIUM J = JEEP - 4WD ENR = 2.8L 4 Cyl Turbo Diesel Engine DGQ = 5-Spd Automatic 5-45RFE  
 P = PREMIUM U = JEEP - 4WD (RHD) ENJ = 2.5L 4 Cyl 16V Turbo Diesel Engine DEH = 6-Speed Manual NSG370  
 SMPI Engine DDD = 5-Speed HD Manual Transmission  
 DDK = 5-Speed HD Manual Transmission

AR = use ase required - = Non illustrated part

**Modules**  
**Figure 8-405**



ITEM	PART NUMBER	QTY	LINE	SERIES	BODY	ENGINE	TRANS	TRIM	DESCRIPTION
------	-------------	-----	------	--------	------	--------	-------	------	-------------

Notes:  
 [EKG]=3.7L 6 Cylinder Engine  
 [EN0]= All 4/5 Cylinder Turbo Diesel Engine  
 [DG0]=All Automatic Transmissions  
 [DG4] =Multi-Speed Automatic Transmissions  
 [DG6]=All 4 Speed Automatic Transmissions  
 [DGQ]=All 5 Speed Automatic Transmissions

1									MODULE, Body Controller
	05179293AD	1				EN0			
	05179637AD	1				EK0			
2									MODULE, Overhead Console
	56010520AD	1	J, T						
	56010527AD	1	J, U						
3	5GV82BD1AG	1	J, U						MODULE, Intrusion
4	56010331AB	1	J, U						RETAINER, Electronic Module
5									ANTENNA
	56038526AF	1							[RDD]
	56038527AE	1							[RDL]
6	56044737AF	1				EN0	DGQ		MODULE, Transmission Control
7									BRACKET, Transmission Control Unit
	56041377AB	1	J, T			EN0	DGQ		
	56041809AA	1	U			EN0	DGQ		
8	05179773AA	1							MODULE, Anti-lock Brakes
9									MODULE, Heated Seat Control
	56010113AA	1	J, T						
		1	J, U						
10	05064022AQ	1							MODULE, Telematics
11	56038763AB	1							BRACKET, Module
12									CONTROL MODULE, Receiver
	05026118AB	1							[GXX,GXW,LAB,XGM], Export
	56053011AF	1							[LAB],
	56053012AF	1							[XGM,GXX,GXM]

**LIBERTY (KJ)**

SERIES      LINE  
 H = HIGHLINE      T = JEEP - 2WD  
 M = MEDIUM      J = JEEP - 4WD  
 P = PREMIUM      U = JEEP - 4WD (RHD)

BODY  
 74 = SPORT UTILITY 4-DR

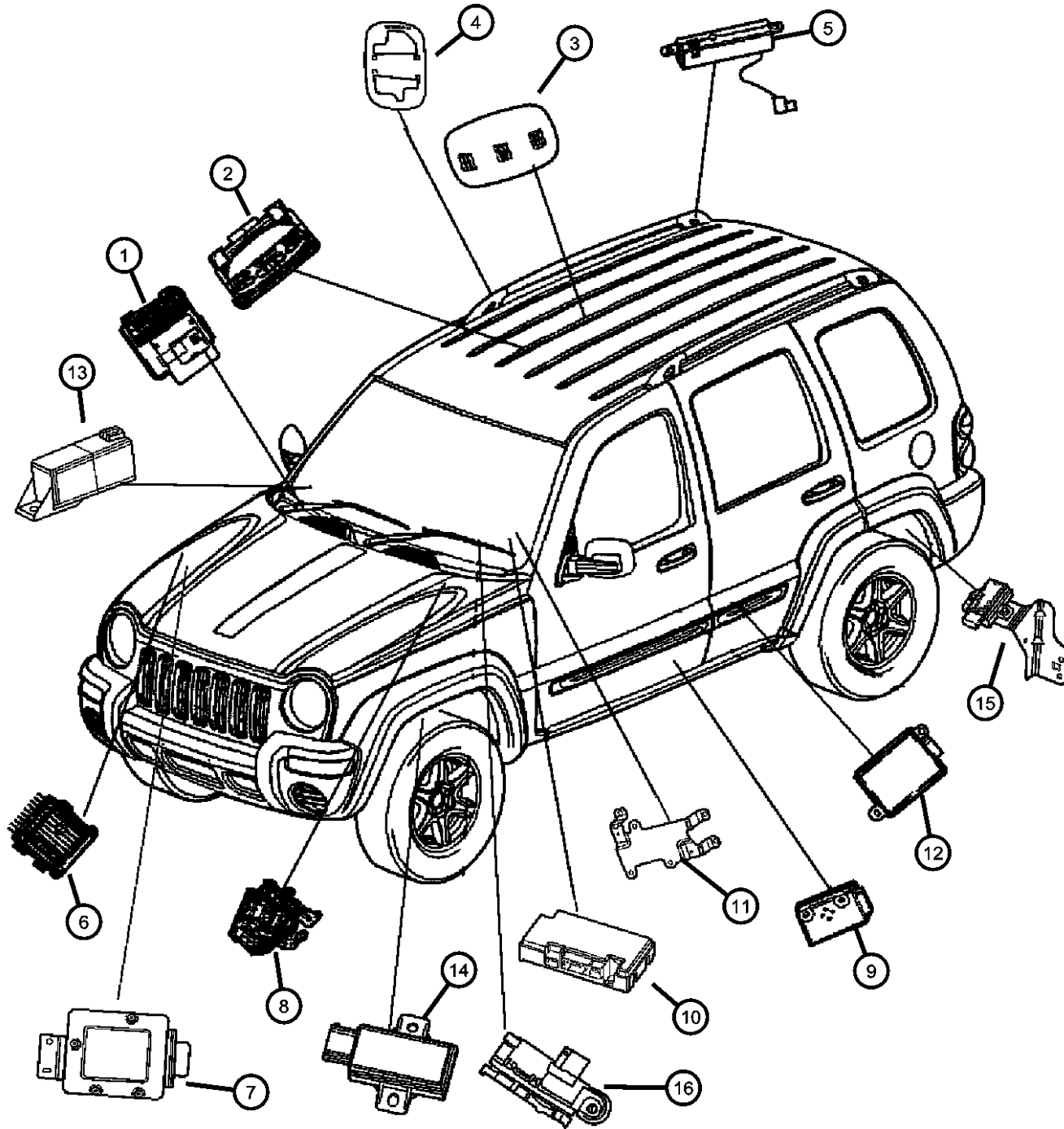
ENGINE  
 EKG = 3.7L V6 Engine  
 ENR = 2.8L 4 Cyl Turbo Diesel Engine  
 ENJ = 2.5L 4 Cyl 16V Turbo Diesel Engine  
 ED1 = 2.4L 4 Cyl DOHC 16v SMPI Engine

TRANSMISSION  
 DG6 = 4-Spd. Automatic 42RLE Transmission  
 DGV = 4-Spd. Automatic VLP Transmission  
 DGQ = 5-Spd Automatic 5-45RFE Transmission  
 DEH = 6-Speed Manual NSG370 Transmission  
 DDD = 5-Speed HD Manual Transmission  
 DDK = 5-Speed HD Manual Transmission

AR = use ase required - = Non illustrated part

2006 KJ

Modules  
Figure 8-405



ITEM	PART NUMBER	QTY	LINE	SERIES	BODY	ENGINE	TRANS	TRIM	DESCRIPTION
	56053015AG	1							[GXX,GX1]
	56053020AF	1							[GXX,GXW,LAB]
13	56044671AA	1				ENO			MODULE, Glow Plug
14									TRIGGER, Tire Pressure
	56044713AB	1							Left
	56044714AB	1							Right
15	56044716AC	1							TRIGGER, Tire PressureRight, Rear
16	56029327AB	1							MODULE, Electronic Stability

LIBERTY (KJ)

SERIES LINE BODY  
H = HIGHLINE T = JEEP - 2WD 74 = SPORT UTILITY 4-DR  
M = MEDIUM J = JEEP - 4WD  
P = PREMIUM U = JEEP - 4WD (RHD)

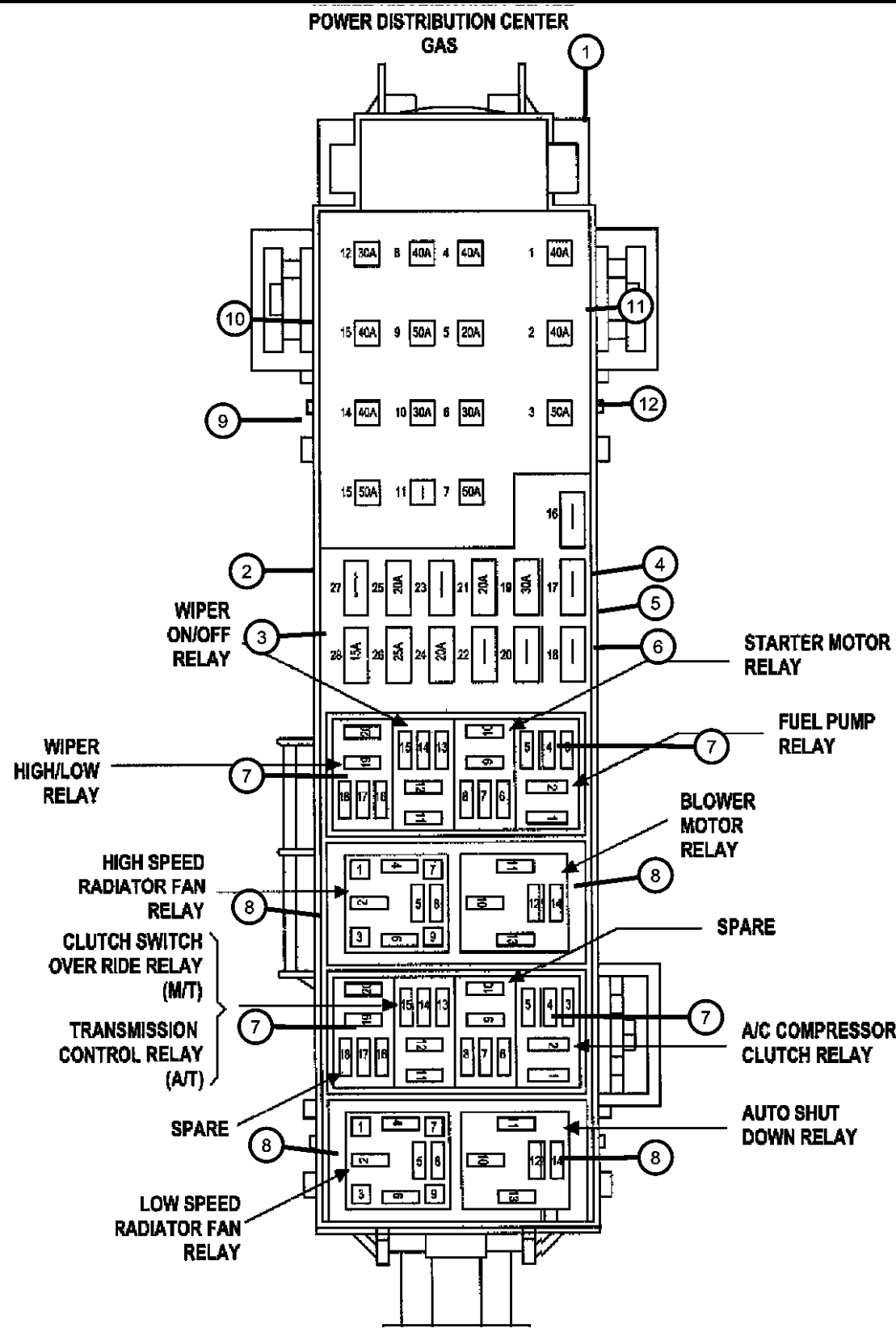
BODY  
74 = SPORT UTILITY 4-DR

ENGINE TRANSMISSION  
EKG = 3.7L V6 Engine DG6 = 4-Spd. Automatic 42RLE  
ENR = 2.8L 4 Cyl Turbo Diesel Transmission  
Engine DGV = 4-Spd. Automatic VLP  
ENJ = 2.5L 4 Cyl 16V Turbo Transmission  
Diesel Engine DGQ = 5-Spd Automatic 5-45RFE  
ED1 = 2.4L 4 Cyl DOHC 16v Transmission  
SMPI Engine DEH = 6-Speed Manual NSG370  
Transmission  
DDD = 5-Speed HD Manual  
Transmission  
DDK = 5-Speed HD Manual  
Transmission

AR = use ase required - = Non illustrated part

2006 KJ

Power Distribution Center, [3.7L EK0]  
Figure 8-505



ITEM	PART NUMBER	QTY	LINE	SERIES	BODY	ENGINE	TRANS	TRIM	DESCRIPTION
1	56029327AB	1							POWER DISTRIBUTION CENTER, Serviced in headlamp to dash wiring, (NOT SERVICED)
2	000ATM10	19				EK0			FUSE, Mini, 10 AMP, Red
3	000ATM15	6				EK0			FUSE, Mini, 15 AMP, Light Blue
4	000ATM20	7				EK0			FUSE, Mini, 20 AMP, Yellow
5	000ATM25	AR							FUSE, Mini, 25 Amp, Natural
6	000ATM30	AR							FUSE, Mini, 30 AMP, Green
7	04671168	1							RELAY, Mini
8	04671168	1							RELAY, Mini
9	06102075AA	AR							FUSE CARTRIDGE, 20 Amp
10	06102076AA	AR							FUSE CARTRIDGE, 30 Amp
11	06102077AA	AR							FUSE CARTRIDGE, 40 Amp
12	06102078AA	AR							FUSE CARTRIDGE, 50 Amp
-13	05183338AA	1				ED0, EK0			COVER, Power Distribution Center
-14	56038763AB	1							BRACKET, Module
-15	06101757	2					DG6, DGV		FUSIBLE LINK
		2					DG6		

LIBERTY (KJ)  
SERIES  
H = HIGHLINE  
M = MEDIUM  
P = PREMIUM

LINE  
T = JEEP - 2WD  
J = JEEP - 4WD  
U = JEEP - 4WD (RHD)

BODY  
74 = SPORT UTILITY 4-DR

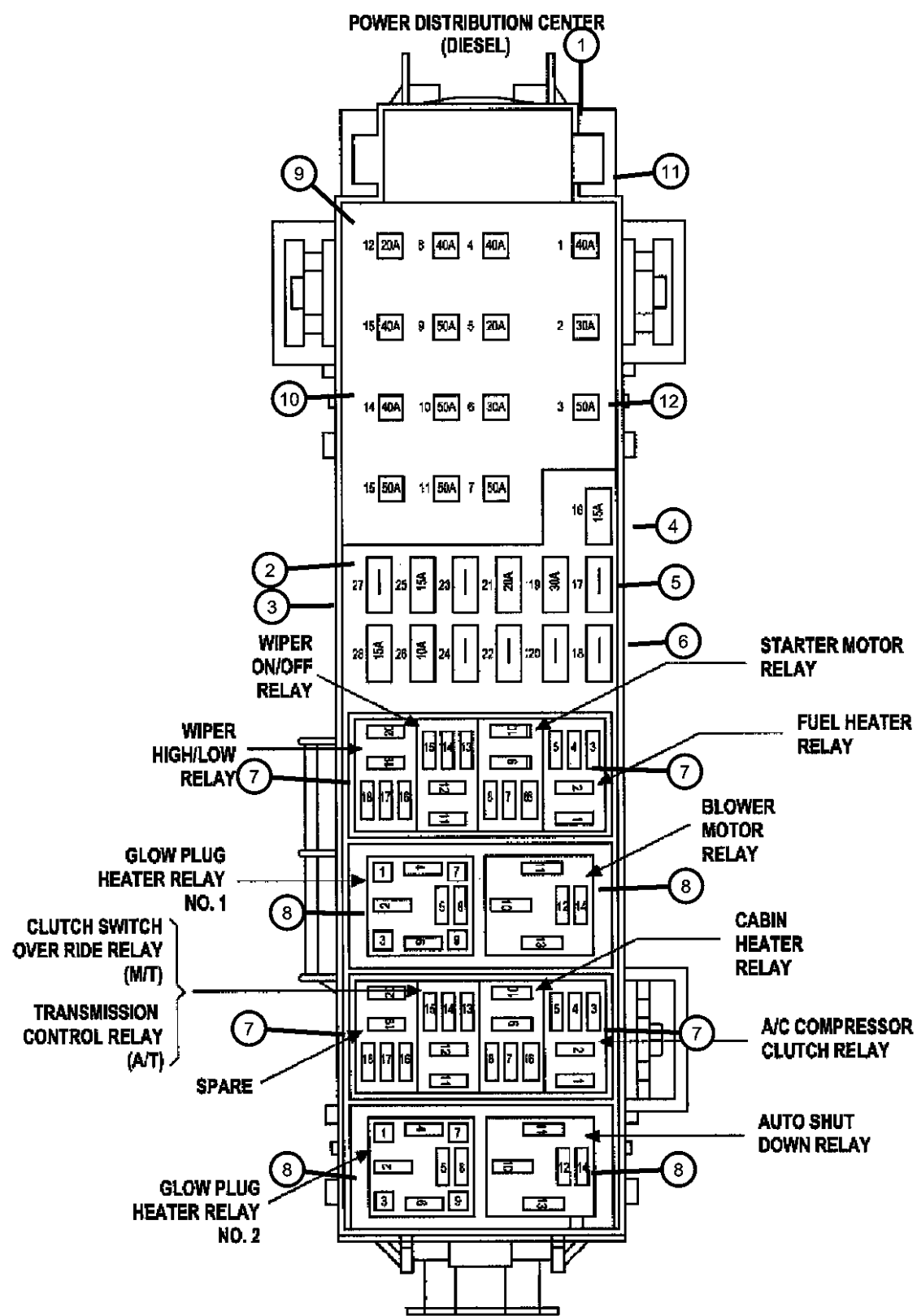
ENGINE  
EKG = 3.7L V6 Engine  
ENR = 2.8L 4 Cyl Turbo Diesel Engine  
ENJ = 2.5L 4 Cyl 16V Turbo Diesel Engine  
ED1 = 2.4L 4 Cyl DOHC 16v SMPI Engine

TRANSMISSION  
DG6 = 4-Spd. Automatic 42RLE Transmission  
DGV = 4-Spd. Automatic VLP Transmission  
DGQ = 5-Spd Automatic 5-45RFE Transmission  
DEH = 6-Speed Manual NSG370 Transmission  
DDD = 5-Speed HD Manual Transmission  
DDK = 5-Speed HD Manual Transmission

AR = use ase required - = Non illustrated part

# Power Distribution Center [2.8L EN0]

## Figure 8-510

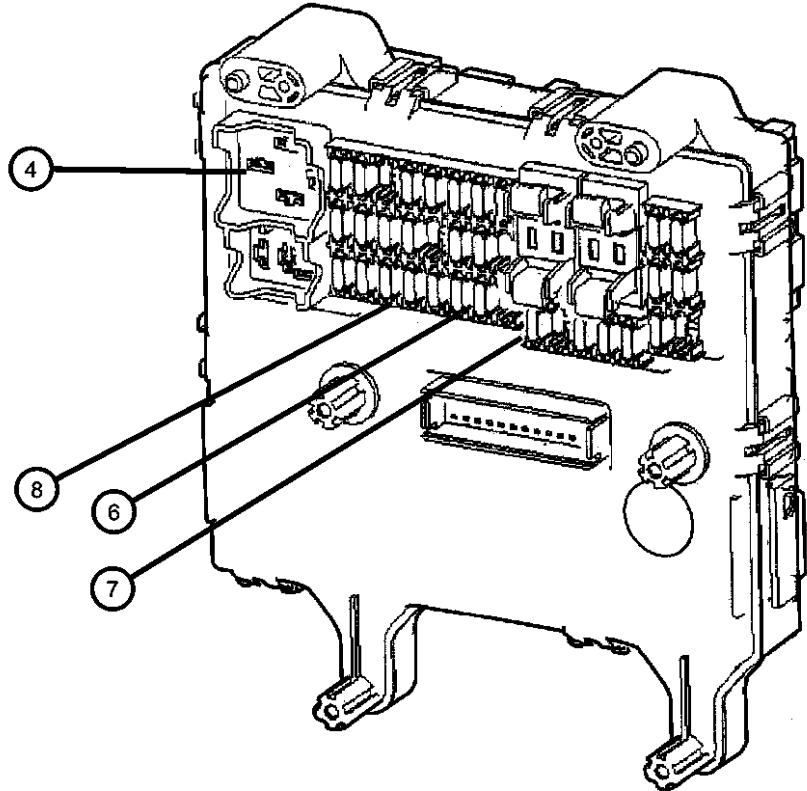
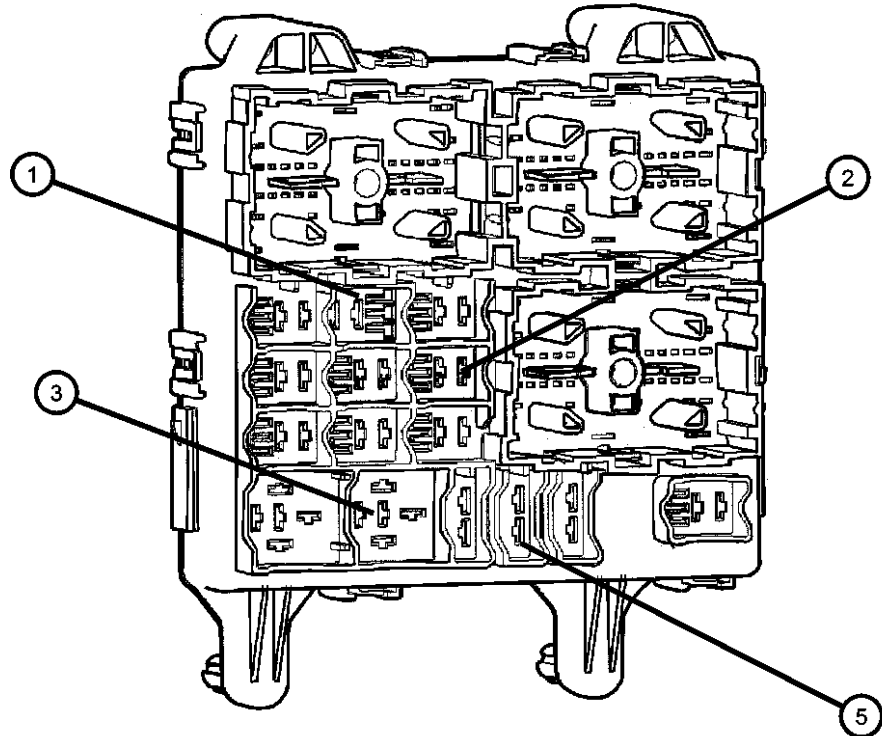


ITEM	PART NUMBER	QTY	LINE	SERIES	BODY	ENGINE	TRANS	TRIM	DESCRIPTION
1		2							POWER DISTRIBUTION CENTER, Serviced in headlamp to dash wiring, (NOT SERVICED)
2	000ATM10	19				EN0			FUSE, Mini, 10 AMP, Red
3	000ATM15	6				EN0			FUSE, Mini, 15 AMP, Light Blue
4	000ATM20	7				EN0			FUSE, Mini, 20 AMP, Yellow
5	000ATM25	AR							FUSE, Mini, 25 Amp, Natural
6	000ATM30	AR							FUSE, Mini, 30 AMP, Green
7	04671168	1							RELAY, Mini
8	56006709	2				EN0			RELAY, Mini
9	06102075AA	AR							FUSE CARTRIDGE, 20 Amp
10	06102076AA	AR							FUSE CARTRIDGE, 30 Amp
11	06102077AA	AR							FUSE CARTRIDGE, 40 Amp
12	06102078AA	AR							FUSE CARTRIDGE, 50 Amp
-13	05170021AA	1				EN0			COVER, Power Distribution Center
-14									BRACKET, Wiring
	56010275AB	1		U					
	56010291AB	1		J, T					

<b>LIBERTY (KJ)</b>				
SERIES	LINE	BODY	ENGINE	TRANSMISSION
H = HIGHLINE	T = JEEP - 2WD	74 = SPORT UTILITY 4-DR	EKG = 3.7L V6 Engine	DG6 = 4-Spd. Automatic 42RLE
M = MEDIUM	J = JEEP - 4WD		ENR = 2.8L 4 Cyl Turbo Diesel Engine	Transmission
P = PREMIUM	U = JEEP - 4WD (RHD)		ENJ = 2.5L 4 Cyl 16V Turbo Diesel Engine	DGV = 4-Spd. Automatic VLP
			ED1 = 2.4L 4 Cyl DOHC 16v SMPI Engine	Transmission
				DGQ = 5-Spd Automatic 5-45RFE
				Transmission
				DEH = 6-Speed Manual NSG370
				Transmission
				DDD = 5-Speed HD Manual
				Transmission
				DDK = 5-Speed HD Manual
				Transmission

AR = use ase required - = Non illustrated part

Junction Block, Relays, Circuit Breaker  
Figure 8-515



ITEM	PART NUMBER	QTY	LINE	SERIES	BODY	ENGINE	TRANS	TRIM	DESCRIPTION
1	56010436AE	1				EN0			JUNCTION BLOCK, Relay
2	04671168	1							RELAY, Mini, High Beam, Door Locks, Foglamp
3	56006709	2				EN0			RELAY, Mini
4	56042216AB	1							RELAY
5									BREAKER, Circuit
	56007290	1							18 AMP
	56021543	1							25 AMP
6	000ATM10	19				EN0			FUSE, Mini, 10 AMP, Red
7	000ATM15	6				EN0			FUSE, Mini, 15 AMP, Light Blue
8	000ATM20	7				EN0			FUSE, Mini, 20 AMP, Yellow
-9									PULLER, Fuse
	05072937AA	1	U						
		1	J, T						
-10									BRACKET, Junction Block
	56009986AB	1							
	56010333AD	1	J, T						
	56010334AD	1	U						

<b>LIBERTY (KJ)</b>				
SERIES	LINE	BODY	ENGINE	TRANSMISSION
H = HIGHLINE	T = JEEP - 2WD	74 = SPORT UTILITY 4-DR	EKG = 3.7L V6 Engine	DG6 = 4-Spd. Automatic 42RLE
M = MEDIUM	J = JEEP - 4WD		ENR = 2.8L 4 Cyl Turbo Diesel Engine	Transmission
P = PREMIUM	U = JEEP - 4WD (RHD)		ENJ = 2.5L 4 Cyl 16V Turbo Diesel Engine	DGV = 4-Spd. Automatic VLP
			ED1 = 2.4L 4 Cyl DOHC 16v SMPI Engine	Transmission
				DGQ = 5-Spd Automatic 5-45RFE
				Transmission
				DEH = 6-Speed Manual NSG370
				Transmission
				DDD = 5-Speed HD Manual
				Transmission
				DDK = 5-Speed HD Manual
				Transmission

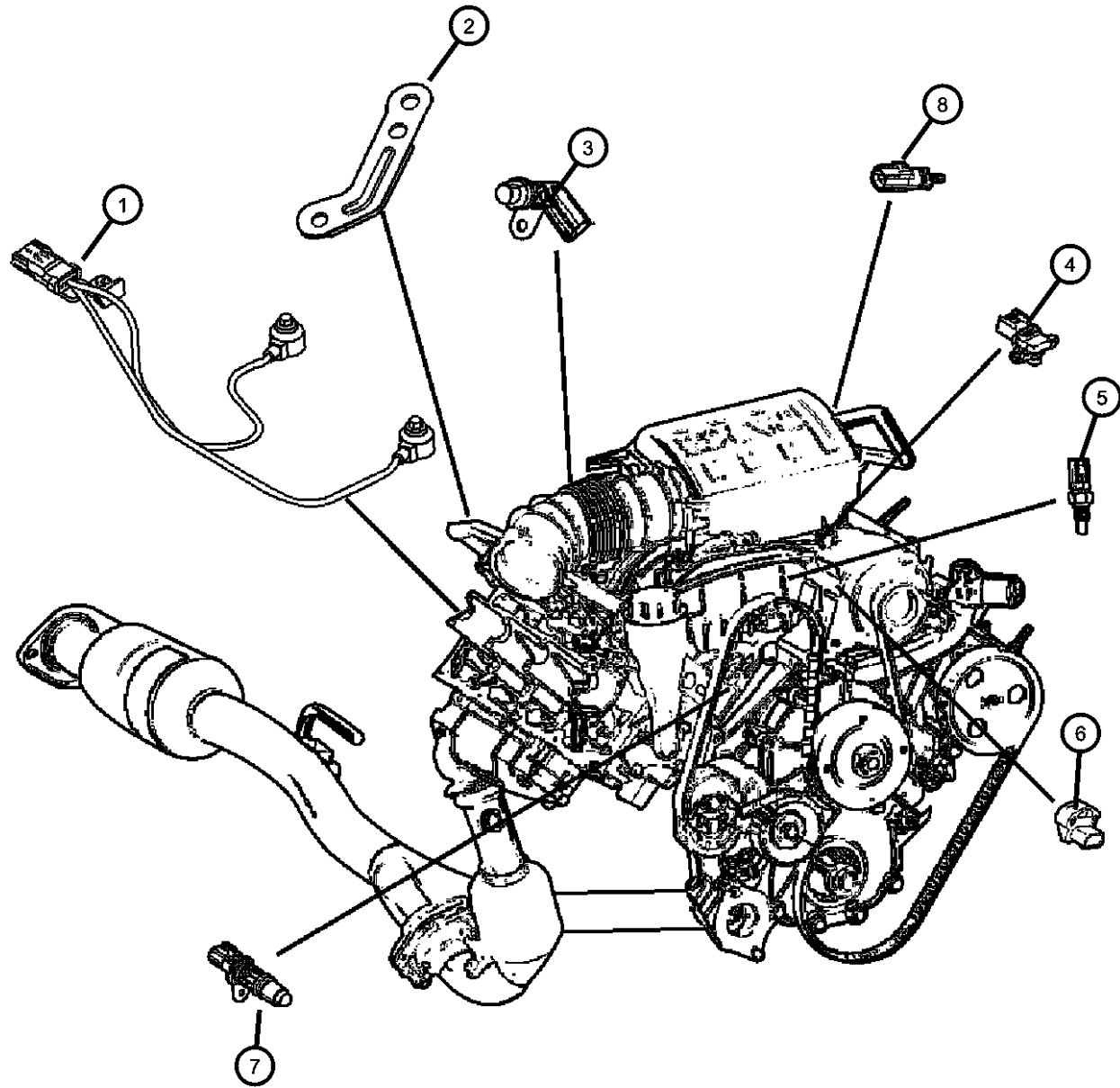
AR = use ase required - = Non illustrated part

Sensors, Engine (3.7L EK0]  
Figure 8-610

ITEM	PART NUMBER	QTY	LINE	SERIES	BODY	ENGINE	TRANS	TRIM	DESCRIPTION
------	-------------	-----	------	--------	------	--------	-------	------	-------------

Notes:  
[EK0]=3.7L V6 Engine

1	56041679AC	1				EK0			SENSOR, Knock
2	56041849AA	1				EK0			BRACKET, Knock Sensor
3	56044180AB	1				EK0			SENSOR, Crankshaft Position
4	56041018AC	1				EK0			SENSOR, MAP
5	56027873	1				EK0			SENSOR, Coolant Temperature
6	05019411AC	1				EK0			SENSOR KIT, Throttle Position
7	56041584AE	1				EK0			SENSOR, Camshaft
8	04606487AB	1				EK0			SENSOR, Charge Air Temp



LIBERTY (KJ)

SERIES LINE  
H = HIGHLINE T = JEEP - 2WD  
M = MEDIUM J = JEEP - 4WD  
P = PREMIUM U = JEEP - 4WD (RHD)

BODY  
74 = SPORT UTILITY 4-DR

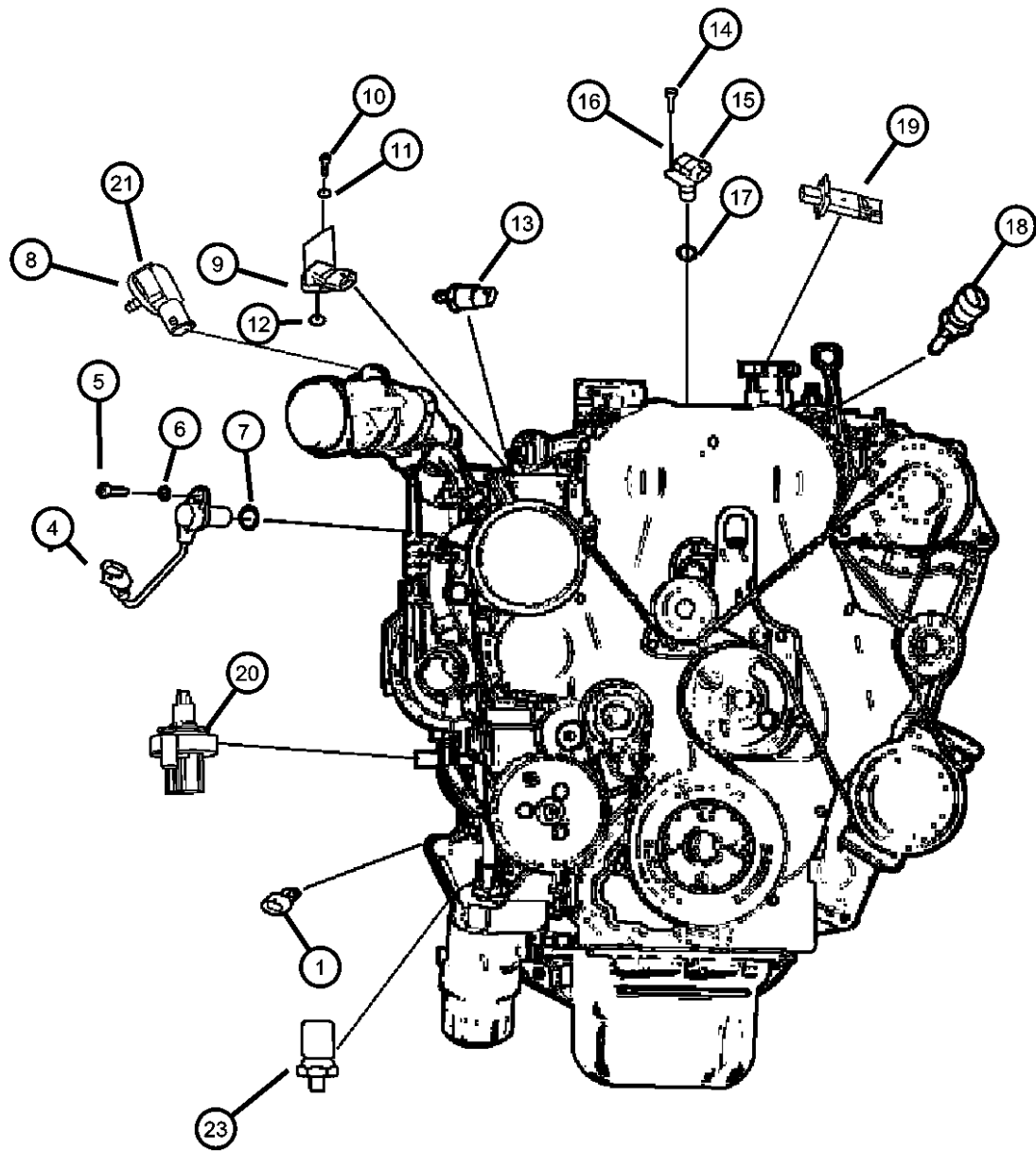
ENGINE TRANSMISSION  
EKG = 3.7L V6 Engine DG6 = 4-Spd. Automatic 42RLE  
ENR = 2.8L 4 Cyl Turbo Diesel Transmission  
Engine DGV = 4-Spd. Automatic VLP  
ENJ = 2.5L 4 Cyl 16V Turbo Transmission  
Diesel Engine DGQ = 5-Spd Automatic 5-45RFE  
ED1 = 2.4L 4 Cyl DOHC 16v Transmission  
SMPI Engine DEH = 6-Speed Manual NSG370  
Transmission  
DDD = 5-Speed HD Manual  
Transmission  
DDK = 5-Speed HD Manual  
Transmission

AR = use ase required - = Non illustrated part

2006 KJ



Sensors, Engine (2.8L EN0]  
Figure 8-615



ITEM	PART NUMBER	QTY	LINE	SERIES	BODY	ENGINE	TRANS	TRIM	DESCRIPTION
1	56028807AB	1				EN0	DG0		SENDING UNIT, Oil Pressure
		1				EN0	DBB		
-2	04801326AA	1				EN0			BRACKET, Wiring, Wiring oil pressure sensor
-3	56041379AA	2				EN0			CLIP, Housing, Wiring oil pressure sensor
4	05066882AA	1				EN0	DG0		SENSOR, Crankshaft
		1				EN0	DBB		
5	05003551AA	1				EN0	DG0		BOLT, M6x10
		1				EN0	DBB		
6	04723204	1				EN0	DG0		WASHER, Implement Attaching
		1				EN0	DBB		
7	05066860AA	1				EN0	DG0		O RING
		1				EN0	DBB		
8		1							SENSOR PACKAGE, Air Flow Meter, (NOT REQUIRED)
9	05140331AA	1				EN0	DG0		SENSOR, Air Temperature
		1				EN0	DBB		
10	05010858AA	1				EN0	DG0		SCREW
		1				EN0	DBB		
11	04723204	1				EN0	DG0		WASHER, Implement Attaching

Notes:  
[EN0]=All 4/5 Cylinder Turbo Diesel Engines  
[DBB]=All Manual Transmissions  
[DG0]=All Automatic Transmissions

LIBERTY (KJ)

SERIES      LINE  
H = HIGHLINE    T = JEEP - 2WD  
M = MEDIUM      J = JEEP - 4WD  
P = PREMIUM      U = JEEP - 4WD (RHD)

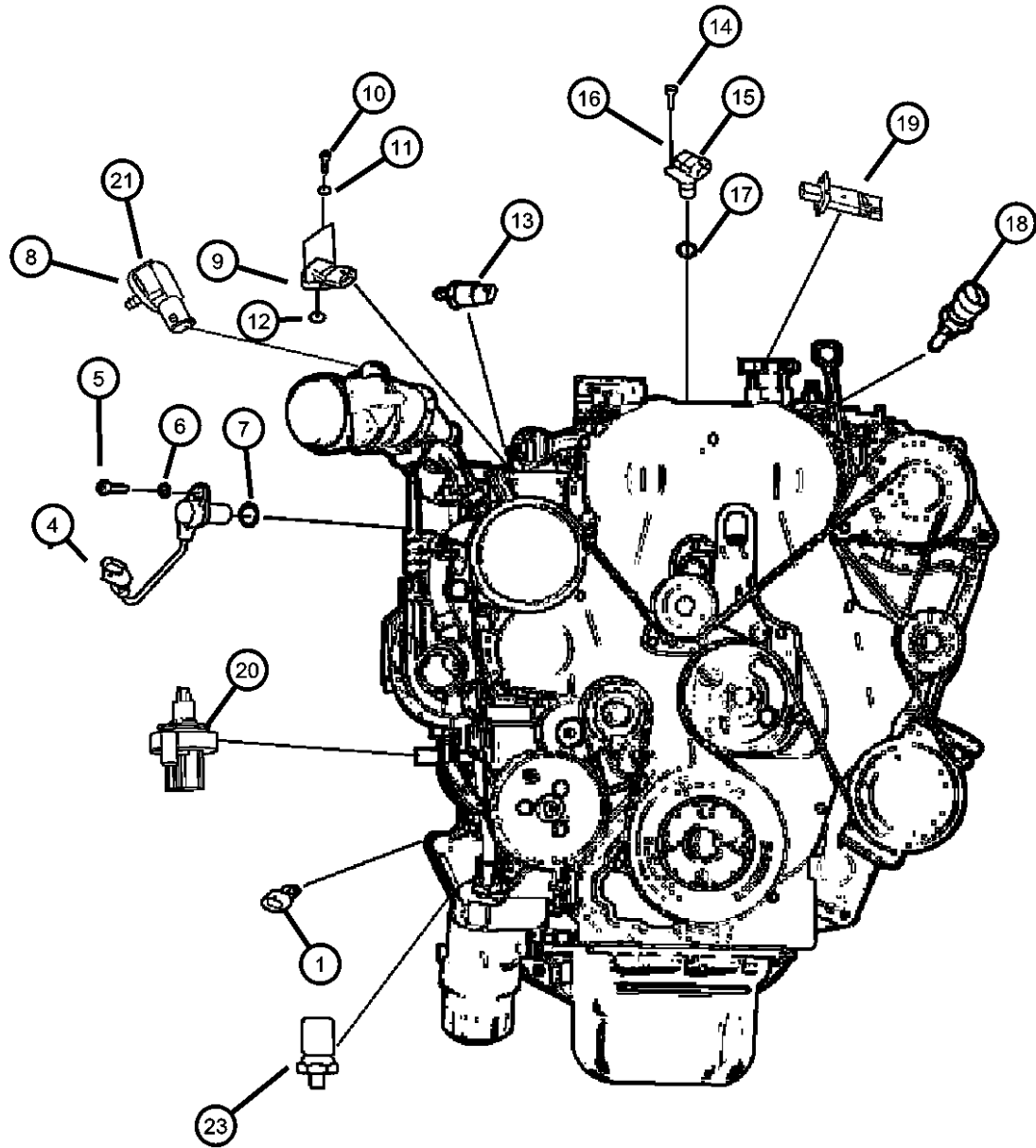
BODY  
74 = SPORT UTILITY 4-DR

ENGINE      TRANSMISSION  
EKG = 3.7L V6 Engine      DG6 = 4-Spd. Automatic 42RLE  
ENR = 2.8L 4 Cyl Turbo Diesel Engine      Transmission  
ENJ = 2.5L 4 Cyl 16V Turbo Diesel Engine      DGV = 4-Spd. Automatic VLP  
ED1 = 2.4L 4 Cyl DOHC 16v SMPI Engine      Transmission  
DGQ = 5-Spd Automatic 5-45RFE  
Transmission  
DEH = 6-Speed Manual NSG370  
Transmission  
DDD = 5-Speed HD Manual  
Transmission  
DDK = 5-Speed HD Manual  
Transmission

AR = use ase required - = Non illustrated part

2006 KJ

Sensors, Engine (2.8L EN0]  
Figure 8-615



ITEM	PART NUMBER	QTY	LINE	SERIES	BODY	ENGINE	TRANS	TRIM	DESCRIPTION
		1				EN0	DBB		O RING
12	05066860AA	1				EN0	DG0		
		1				EN0	DBB		
13	05159960AA	1				EN0	DG0		SENSOR, Fuel Pressure
	05159963AA	1				EN0	DBB		
	05159964AA	1				EN0	DG0		Export
14	05010858AA	1				EN0	DG0		SCREW
		1				EN0	DBB		
15	05140332AA	1				EN0	DG0		SENSOR, Camshaft
		1				EN0	DBB		
16	04723204	1				EN0	DG0		WASHER, Implement Attaching
		1				EN0	DBB		
17	05066860AA	1				EN0	DG0		O RING
		1				EN0	DBB		
18	05066779AA	1				EN0	DG0		SENSOR, Temperature Sending Unit
		1				EN0	DBB		
19	53013733AB	1				EN0			SENSOR, Air Flow
20	05143002AA	1				EN0			SENSOR, Fuel/Water
21	56044591AA	1				EN0			SENSOR, Air Pressure
-22									RELUCTOR WHEEL, Crankshaft
	05140319AA	1				EN0	DG0		For crankshaft sensor
		1				EN0	DBB		

LIBERTY (KJ)

SERIES      LINE  
H = HIGHLINE    T = JEEP - 2WD  
M = MEDIUM      J = JEEP - 4WD  
P = PREMIUM      U = JEEP - 4WD (RHD)

BODY  
74 = SPORT UTILITY 4-DR

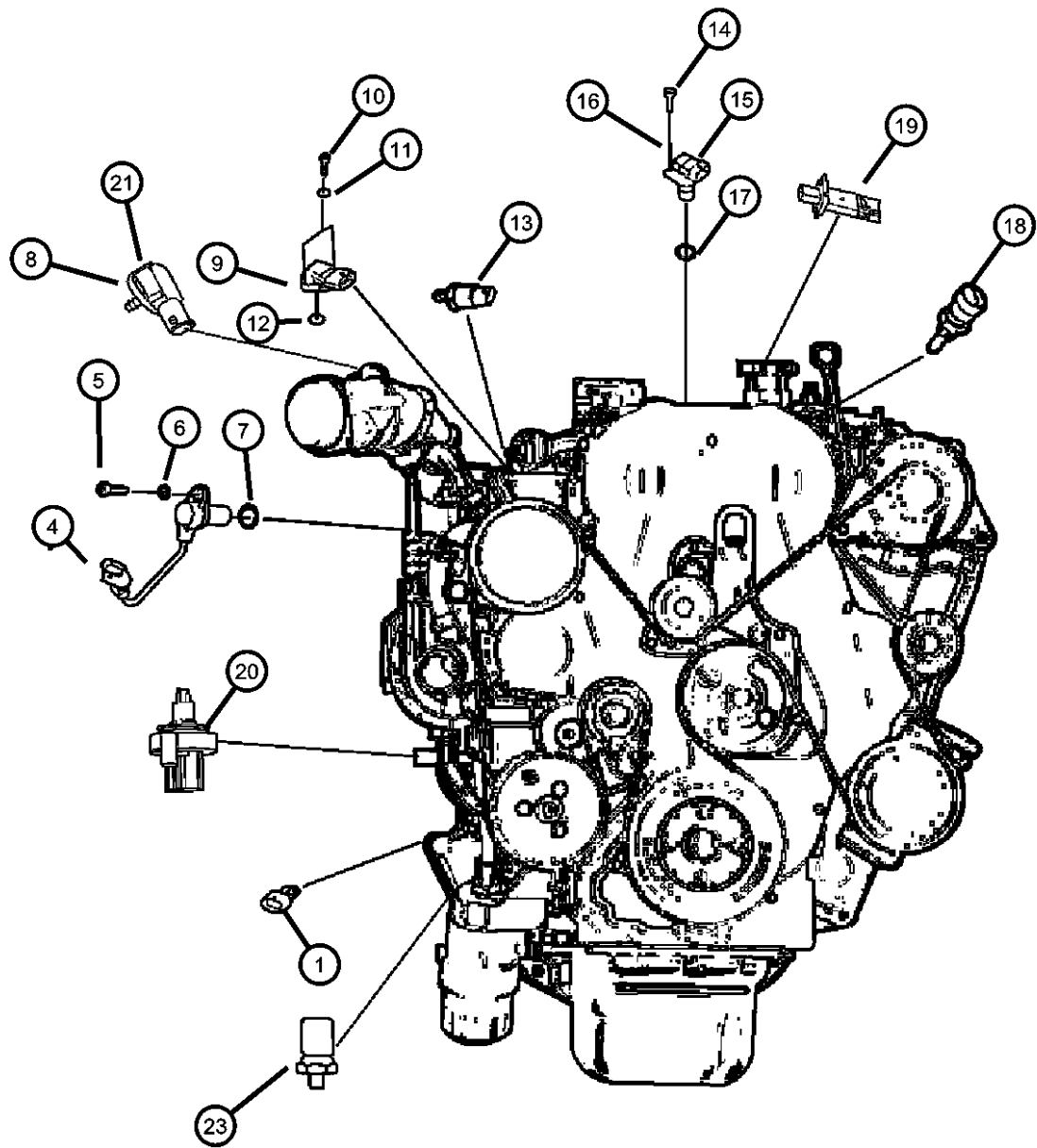
ENGINE      TRANSMISSION  
EKG = 3.7L V6 Engine      DG6 = 4-Spd. Automatic 42RLE  
ENR = 2.8L 4 Cyl Turbo Diesel Engine      DGV = 4-Spd. Automatic VLP  
ENJ = 2.5L 4 Cyl 16V Turbo Diesel Engine      DGQ = 5-Spd Automatic 5-45RFE  
ED1 = 2.4L 4 Cyl DOHC 16v SMPI Engine      DEH = 6-Speed Manual NSG370  
Transmission  
DDD = 5-Speed HD Manual Transmission  
DDK = 5-Speed HD Manual Transmission

AR = use ase required - = Non illustrated part

2006 KJ

Sensors, Engine (2.8L EN0]  
Figure 8-615

ITEM	PART NUMBER	QTY	LINE	SERIES	BODY	ENGINE	TRANS	TRIM	DESCRIPTION
23									SENSOR, Oil Pressure
	05093908AA	1				EN0	DG0		
		1				EN0	DBB		



LIBERTY (KJ)

SERIES      LINE  
H = HIGHLINE    T = JEEP - 2WD  
M = MEDIUM     J = JEEP - 4WD  
P = PREMIUM    U = JEEP - 4WD (RHD)

BODY  
74 = SPORT UTILITY 4-DR

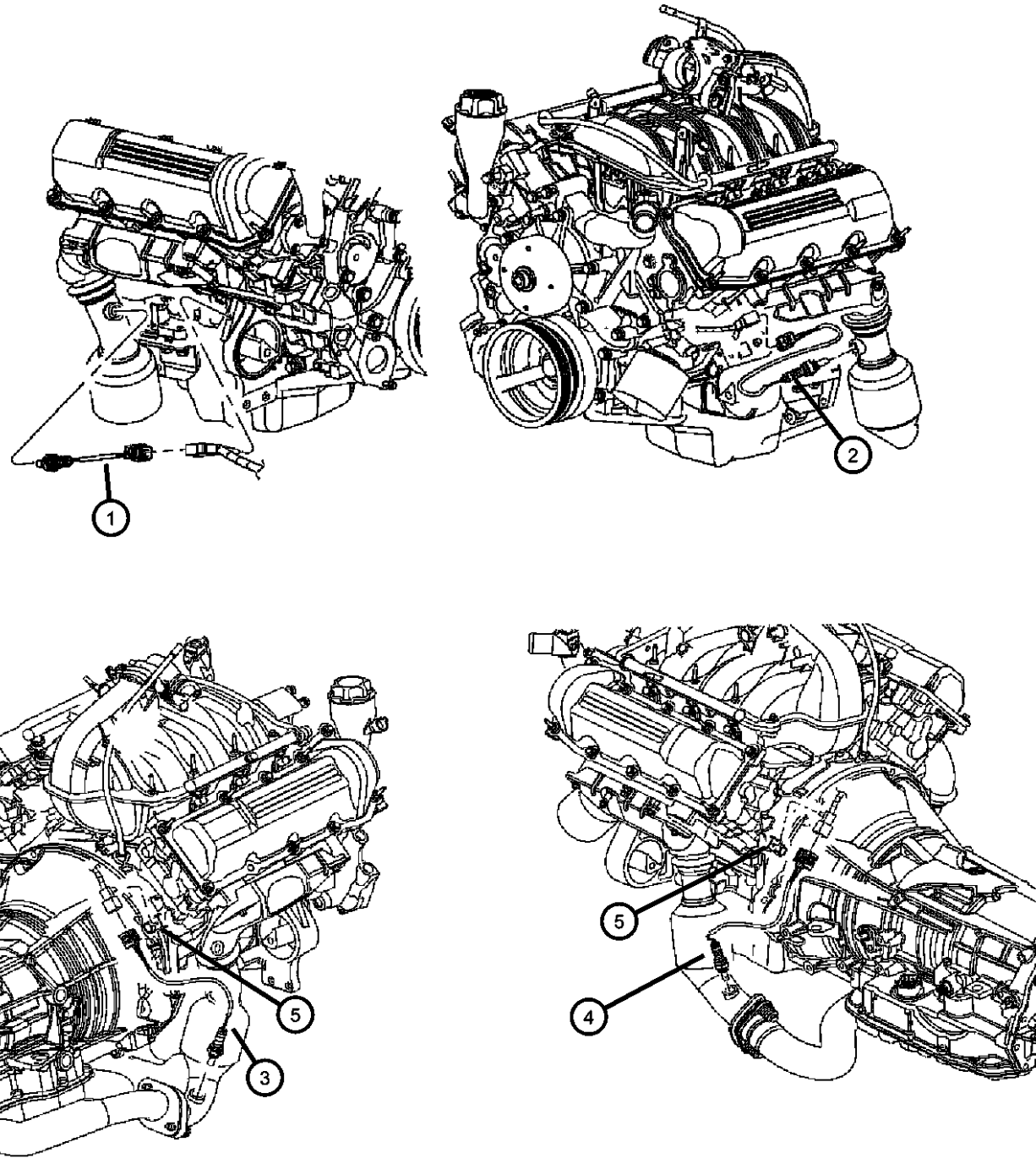
ENGINE      TRANSMISSION  
EKG = 3.7L V6 Engine      DG6 = 4-Spd. Automatic 42RLE  
ENR = 2.8L 4 Cyl Turbo Diesel      Transmission  
Engine      DGV = 4-Spd. Automatic VLP  
ENJ = 2.5L 4 Cyl 16V Turbo      Transmission  
Diesel Engine      DGQ = 5-Spd Automatic 5-45RFE  
ED1 = 2.4L 4 Cyl DOHC 16v      Transmission  
SMPI Engine      DEH = 6-Speed Manual NSG370  
Transmission  
DDD = 5-Speed HD Manual  
Transmission  
DDK = 5-Speed HD Manual  
Transmission

AR = use ase required - = Non illustrated part

2006 KJ

Sensors, Oxygen [3.7L EK0]  
Figure 8-625

ITEM	PART NUMBER	QTY	LINE	SERIES	BODY	ENGINE	TRANS	TRIM	DESCRIPTION
1	56028994AB	1				EK0			SENSOR, Oxygen, Before catalyst, Right
2	56028994AB	1				EK0			SENSOR, Oxygen, Before catalyst, Left
3	56029049AA	1				EK0			SENSOR, Oxygen, After catalyst, Right
4	56029049AA	1				EK0			SENSOR, Oxygen, After catalyst, Left
5	56041823AB	1				EK0	DG0		BRACKET, Oxygen Sensor
		2				EK0	DBB		



LIBERTY (KJ)

SERIES      LINE  
H = HIGHLINE    T = JEEP - 2WD  
M = MEDIUM     J = JEEP - 4WD  
P = PREMIUM    U = JEEP - 4WD (RHD)

BODY  
74 = SPORT UTILITY 4-DR

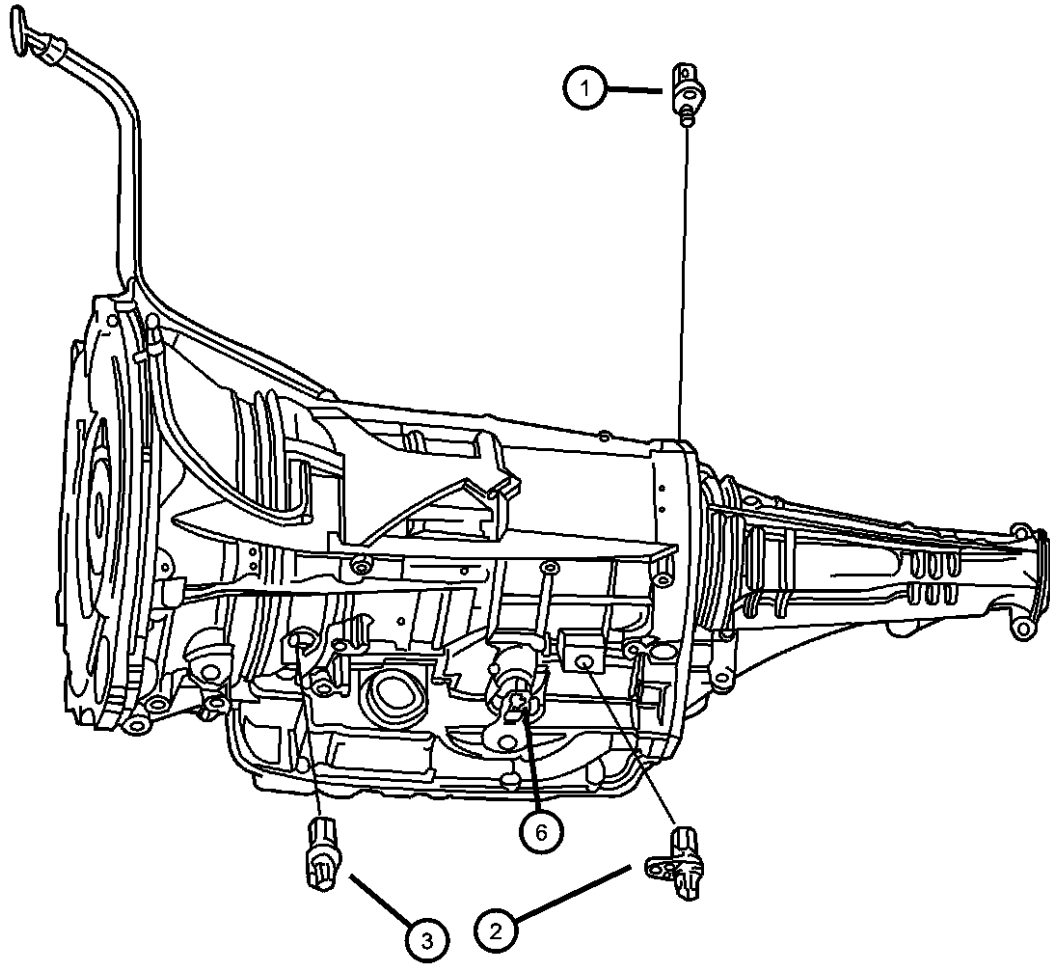
ENGINE      TRANSMISSION  
EKG = 3.7L V6 Engine      DG6 = 4-Spd. Automatic 42RLE  
ENR = 2.8L 4 Cyl Turbo Diesel Engine      DGV = 4-Spd. Automatic VLP  
ENJ = 2.5L 4 Cyl 16V Turbo Diesel Engine      DGQ = 5-Spd Automatic 5-45RFE  
ED1 = 2.4L 4 Cyl DOHC 16v SMPI Engine      DEH = 6-Speed Manual NSG370  
Transmission  
DDD = 5-Speed HD Manual Transmission  
DDK = 5-Speed HD Manual Transmission

AR = use ase required - = Non illustrated part

2006 KJ

**Sensor (Drive Train)  
Figure 8-635**

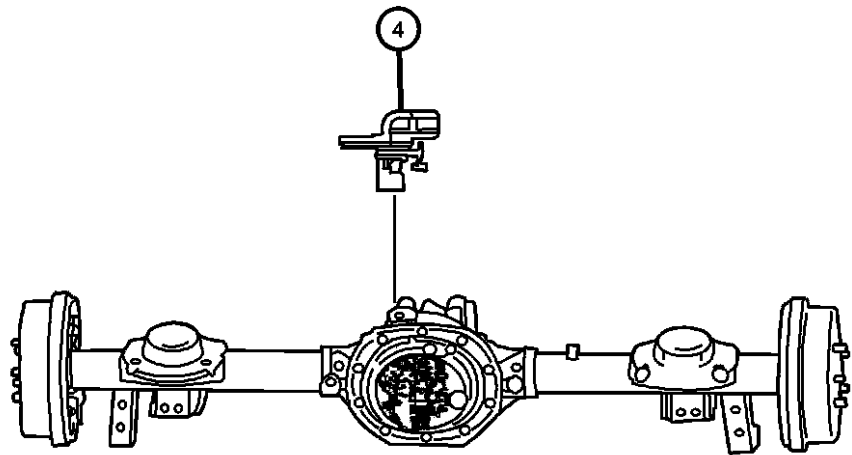
ITEM	PART NUMBER	QTY	LINE	SERIES	BODY	ENGINE	TRANS	TRIM	DESCRIPTION
------	-------------	-----	------	--------	------	--------	-------	------	-------------



Notes:

- [DGQ] = 5 Speed Automatic Transmission
- [DG4 ]= Multi-Speed Automatic Transmission
- [DG6] = 4 Speed Automatic Transmission
- [ED0] = 2.4L Engine
- [EK0] = 3.7L Engine
- [EN0] = 2.5L Turbo Diesel Engine

1	04799758	1	J, U			EN0	DGQ		TRANSDUCER, Pressure Sensor
2									SENSOR, Transmission Output Speed
	52854001AA	1	T				DG6		
		1	J, U				DG6		SENSOR, Transmission Input Speed
3									
	04799061AB	1	T				DG6		SENSOR, Transmission Input Speed
		1	J, U				DG6		
4	52129178AB	2	J, T, U		74				SENSOR, Wheel Speed
-5	05086373AA	1							O RING, Sensor
6									SENSOR, Manual Valve Lever
	04659677AC	1	T				DGV		
		1	T				DG6		
		1	J, U				DG6		



**LIBERTY (KJ)**

SERIES	LINE
H = HIGHLINE	T = JEEP - 2WD
M = MEDIUM	J = JEEP - 4WD
P = PREMIUM	U = JEEP - 4WD (RHD)

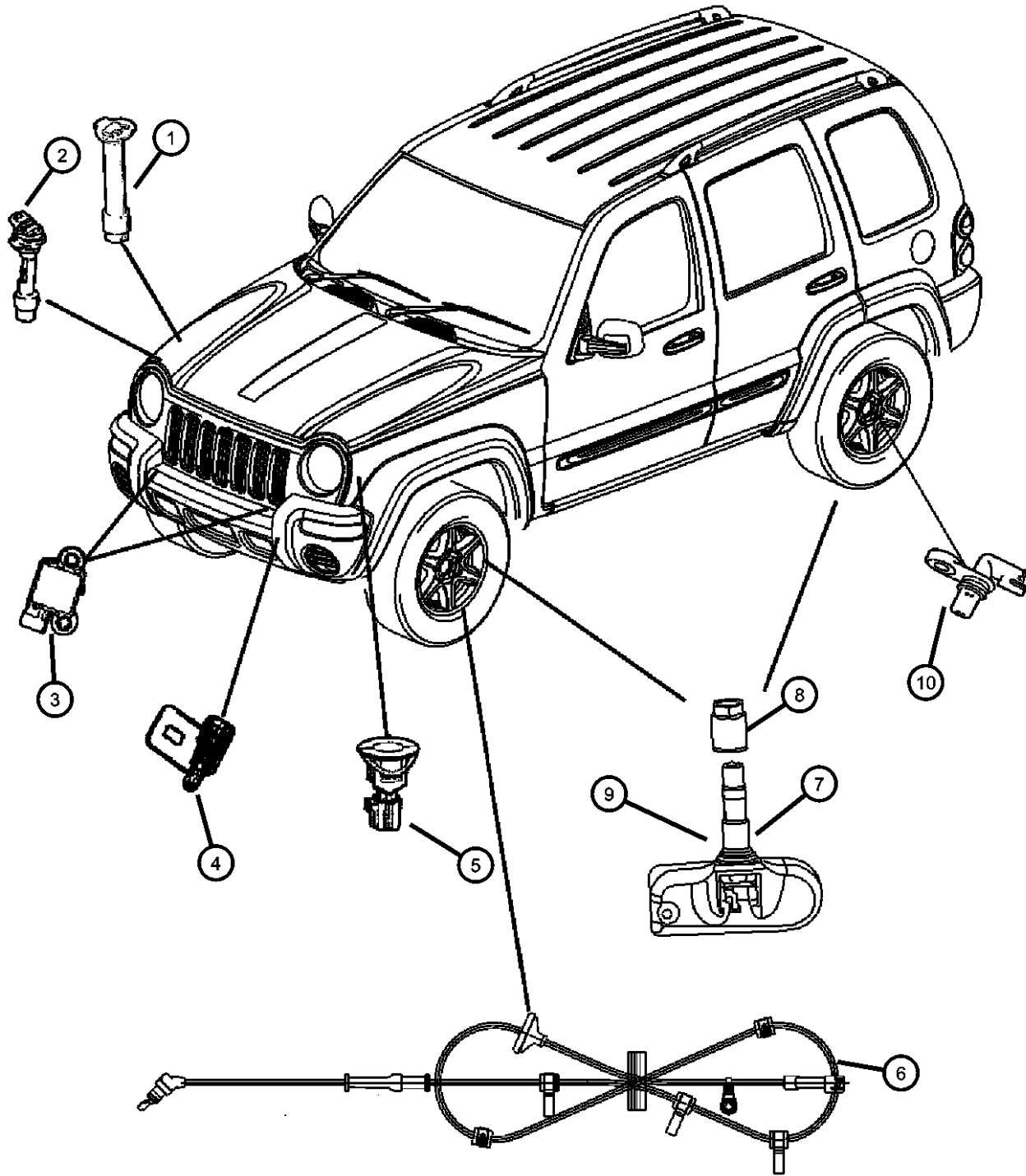
BODY  
74 = SPORT UTILITY 4-DR

ENGINE	TRANSMISSION
EKG = 3.7L V6 Engine	DG6 = 4-Spd. Automatic 42RLE Transmission
ENR = 2.8L 4 Cyl Turbo Diesel Engine	DGV = 4-Spd. Automatic VLP Transmission
ENJ = 2.5L 4 Cyl 16V Turbo Diesel Engine	DGQ = 5-Spd Automatic 5-45RFE Transmission
ED1 = 2.4L 4 Cyl DOHC 16v SMPI Engine	DEH = 6-Speed Manual NSG370 Transmission
	DDD = 5-Speed HD Manual Transmission
	DDK = 5-Speed HD Manual Transmission

AR = use ase required - = Non illustrated part

2006 KJ

**Sensor (Body)  
Figure 8-640**

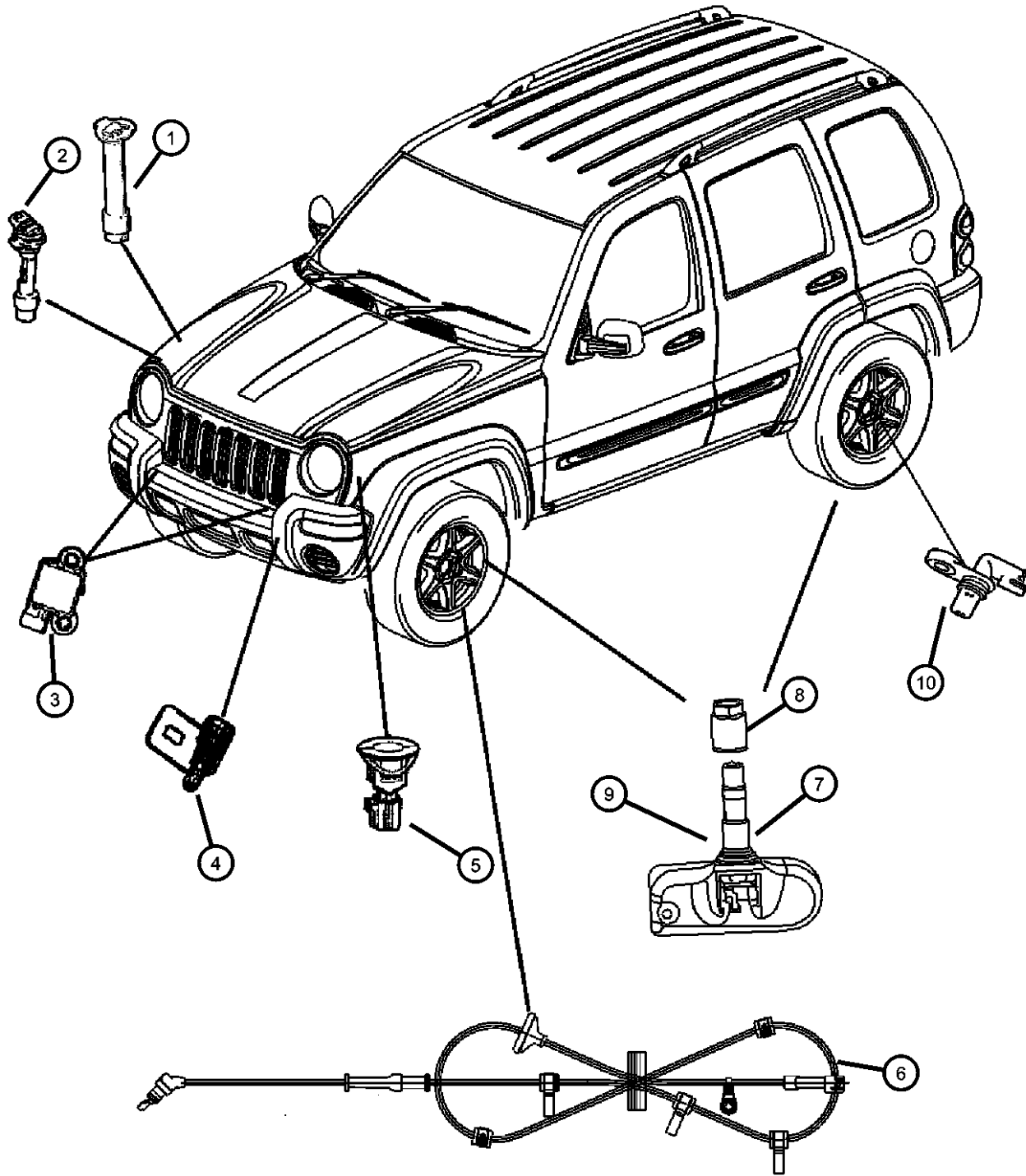


ITEM	PART NUMBER	QTY	LINE	SERIES	BODY	ENGINE	TRANS	TRIM	DESCRIPTION
1	05161400AA	1							SENSOR, Washer Fluid Level
2	05161400AA	1							SENSOR, Coolant Level, Serviced in pressurized coolant bottle only, (NOT SERVICED)
3	05084000AA	2							SENSOR, Air Bag
4									SENSOR, Ambient Temperature
	56042395	1	J	H, P		ED0, EK0			
		1	J	H, P		EN0			
		1	U	H, P		ED0, EK0			
		1	U	H, P		EN0			
		1	J	M					
		1	J, T	H, P					
		1	J, T	M					
5		1							SENSOR, Battery Temperature, (NOT SERVICED)
6									SENSOR, Anti-Lock Brakes
	52128694AE	1	J, T						Right
		1	J, U						Right
	52128695AE	1	J, T						Left
		1	J, U						Left
7									SENSOR, Tire Pressure, Valve stem
	56053030AB	4							Export
	56053031AB	4							Export
8									HARDWARE KIT, Mounting
	68001743AA	1	J, T, U		74				THIS KIT CONTAINS: 1- S120120001, NUT, TPM RETAINING 1- S122990001, WASHER, SEAL SUPPORT 1- S122140001, CAP, VALVE STEM, BLACK, EUROPE 1- S120121001, CAP, VALVE STEM

<b>LIBERTY (KJ)</b>				
SERIES	LINE	BODY	ENGINE	TRANSMISSION
H = HIGHLINE	T = JEEP - 2WD	74 = SPORT UTILITY 4-DR	EKG = 3.7L V6 Engine	DG6 = 4-Spd. Automatic 42RLE
M = MEDIUM	J = JEEP - 4WD		ENR = 2.8L 4 Cyl Turbo Diesel Engine	Transmission
P = PREMIUM	U = JEEP - 4WD (RHD)		ENJ = 2.5L 4 Cyl 16V Turbo Diesel Engine	DGV = 4-Spd. Automatic VLP
			ED1 = 2.4L 4 Cyl DOHC 16v SMPI Engine	Transmission
				DGQ = 5-Spd Automatic 5-45RFE
				Transmission
				DEH = 6-Speed Manual NSG370
				Transmission
				DDD = 5-Speed HD Manual
				Transmission
				DDK = 5-Speed HD Manual
				Transmission

AR = use ase required - = Non illustrated part

**Sensor (Body)**  
**Figure 8-640**

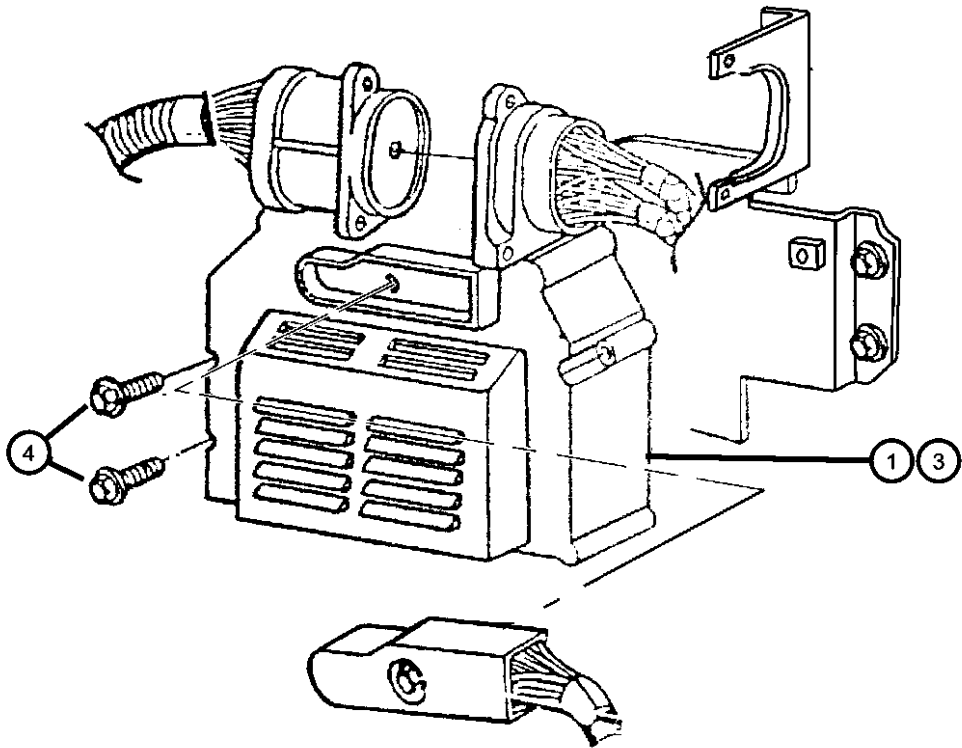


ITEM	PART NUMBER	QTY	LINE	SERIES	BODY	ENGINE	TRANS	TRIM	DESCRIPTION
	68001744AA	1	J, T, U		74				THIS KIT CONTAINS: 1- S122914001, VALVE CORE, TPM 1- S120121001, CAP, VALVE STEM, GREY, DOMESTIC 1- S122140001, CAP, VALVE STEM, BLACK, EUROPE
9	68001696AA	1	J, T, U		74				SENSOR PACKAGE, Tire Pressure
	68001698AA	1	J, T, U		74				This package contains: 56053030AC SENSOR - TIRE PRESSURE 56053033AA NUT - TIRE PRESSURE K6855511 INSTRUCTION SHEET
10	68001698AA	1	J, T, U		74				This package contains: 56053031AC SENSOR - TIRE PRESSURE 56053033AA NUT - TIRE PRESSURE K6855511 INSTRUCTION SHEET
	52129178AB	2	J, T, U		74				SENSOR, Wheel Speed
	56041393AA	1							[BRE], Rear Wheel
-11	05179287AA	1							COVER, Sensor, Rear wheel speed sensor

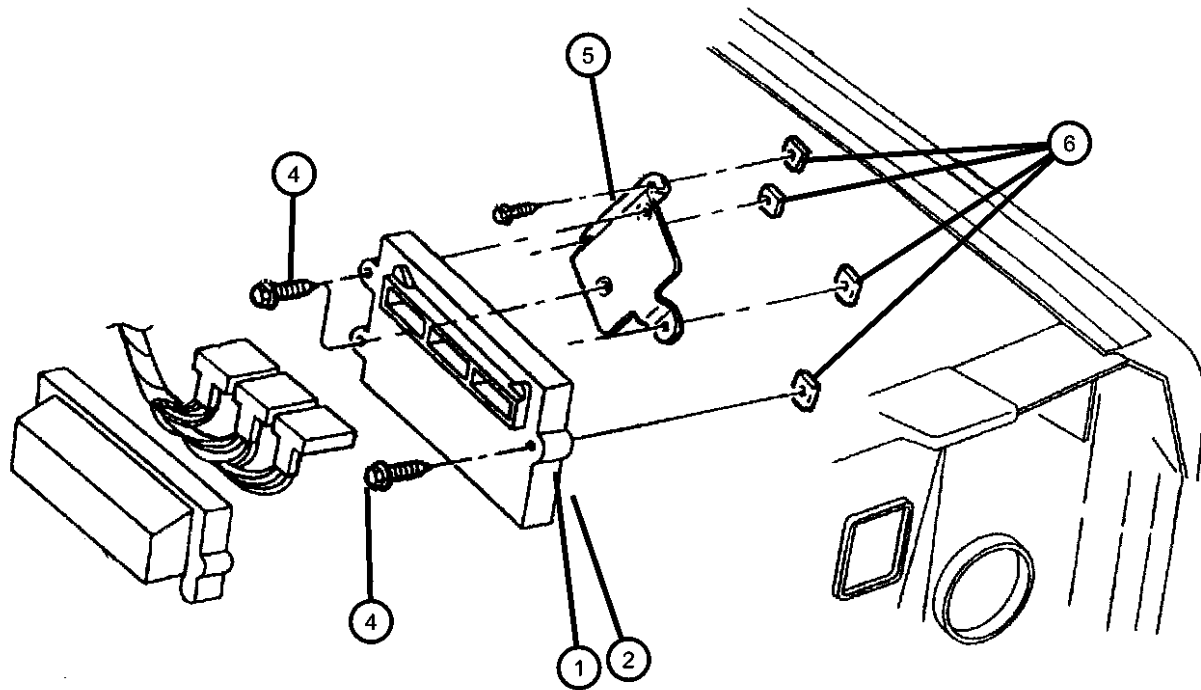
<b>LIBERTY (KJ)</b>				
SERIES	LINE	BODY	ENGINE	TRANSMISSION
H = HIGHLINE	T = JEEP - 2WD	74 = SPORT UTILITY 4-DR	EKG = 3.7L V6 Engine	DG6 = 4-Spd. Automatic 42RLE
M = MEDIUM	J = JEEP - 4WD		ENR = 2.8L 4 Cyl Turbo Diesel Engine	Transmission
P = PREMIUM	U = JEEP - 4WD (RHD)		ENJ = 2.5L 4 Cyl 16V Turbo Diesel Engine	DGV = 4-Spd. Automatic VLP
			ED1 = 2.4L 4 Cyl DOHC 16v SMPI Engine	Transmission
				DGQ = 5-Spd Automatic 5-45RFE
				Transmission
				DEH = 6-Speed Manual NSG370
				Transmission
				DDD = 5-Speed HD Manual
				Transmission
				DDK = 5-Speed HD Manual
				Transmission

AR = use ase required - = Non illustrated part

**Powertrain Control Modules  
Figure 8-705**



ITEM	PART NUMBER	QTY	LINE	SERIES	BODY	ENGINE	TRANS	TRIM	DESCRIPTION
1									MODULE, Powertrain Control, Generic
	05094597AC	1				EK0	DG0		
	56044787AC	1				EK0	DG0		[BRE]
	05094598AC	1				EK0	DBB		
2	05094595AC	1				EK0	DBB		MODULE, Powertrain Control, [NAE,BRE]
3									MODULE, Engine Controller
	56044776AB	1	J, T			EN0	DGQ		
	56044776BB	1	J, T, U		74	EN0	DGQ		
	56044773AA	1	J, U			EN0	DEH		
	56044775AA	1	J, U			EN0	DGQ		
4	06035884	3				ED0, EK0			SCREW
5									BRACKET, Control Unit
	56041384AD	1				EN0			
	56044353AA	1				ED0, EK0			
6	56044353AA	1							NUT, Hex Flange Lock, M5, M5x0.80, (NOT SERVICED)

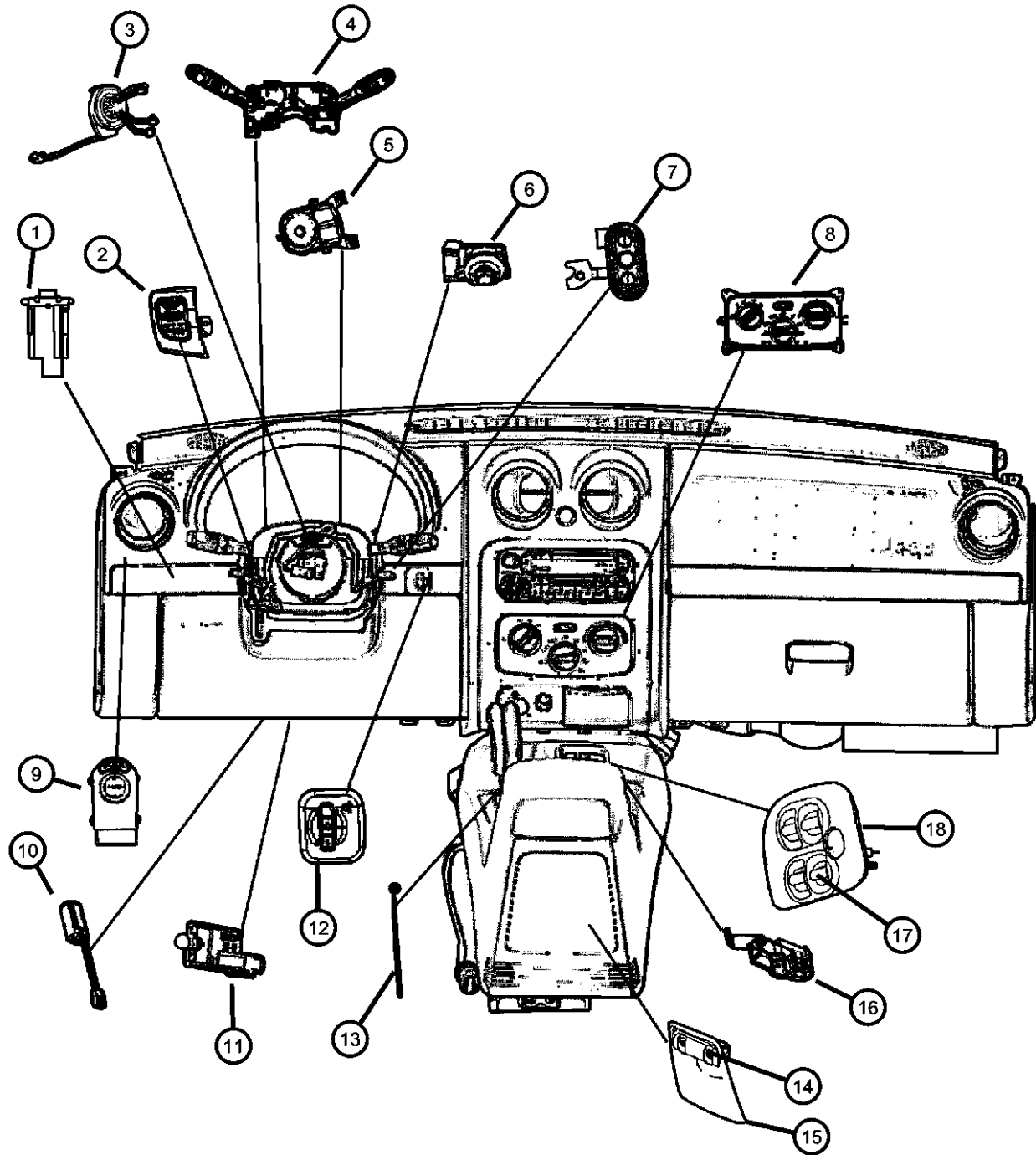


<b>LIBERTY (KJ)</b>				
SERIES	LINE	BODY	ENGINE	TRANSMISSION
H = HIGHLINE	T = JEEP - 2WD	74 = SPORT UTILITY 4-DR	EKG = 3.7L V6 Engine	DG6 = 4-Spd. Automatic 42RLE
M = MEDIUM	J = JEEP - 4WD		ENR = 2.8L 4 Cyl Turbo Diesel Engine	Transmission
P = PREMIUM	U = JEEP - 4WD (RHD)		ENJ = 2.5L 4 Cyl 16V Turbo Diesel Engine	DGV = 4-Spd. Automatic VLP
			ED1 = 2.4L 4 Cyl DOHC 16v SMPI Engine	Transmission
				DGQ = 5-Spd Automatic 5-45RFE
				Transmission
				DEH = 6-Speed Manual NSG370
				Transmission
				DDD = 5-Speed HD Manual
				Transmission
				DDK = 5-Speed HD Manual
				Transmission

AR = use ase required - = Non illustrated part



**Switches (Instrument Panel and Console)**  
**Figure 8-810**



ITEM	PART NUMBER	QTY	LINE	SERIES	BODY	ENGINE	TRANS	TRIM	DESCRIPTION
Notes:									
[ED0] = 2.4L 4 Cylinder Engine									
[EK0]=3.7L V6 Engine									
[EKG] = 3.7L V6 'Magnum' Engine									
[EN0]=4/5 Cylinder Turbo Diesel Engine									
[DBB]=All Manual Transmissions									
[DG0]=All Automatic Transmissions									
1	56010417AC	1							SWITCH, Off Road Lamp
2									SWITCH, Speed Control
	1AZ501DHAB	1		M					[D5], Right
		1		M					[DB], Right
	1AZ501J8AB	1		M					[J3], Right
		1		M					[J1], Right
	1AZ50DX9AB	1		H					Right
	1AZ511DHAB	1		M					[D5], Left
		1		M					[DB], Left
	1AZ511J8AB	1		M					[J1], Left
		1		M					[J3], Left
	1AZ51DX9AB	1		H					Left
	56010687AA	1		P					Left
	56010686AA	1		P					Right
3									CLOCKSPRING
	56010619AC	1							[BNB]
	56044886AC	1							
4									SWITCH, Multifunction
	56010125AG	1							[JHB]
	56010132AG	1							[ABE,JHB]
	56010133AG	1							[LNJ,ABE,JHB]
	56010126AG	1							[JHB,LNJ]
5	56010158AD	1							SWITCH, Hazard Warning, and Flasher
6									SWITCH, Ignition
	04793576AB	1					DG0		

**LIBERTY (KJ)**

SERIES      LINE  
H = HIGHLINE    T = JEEP - 2WD  
M = MEDIUM      J = JEEP - 4WD  
P = PREMIUM      U = JEEP - 4WD (RHD)

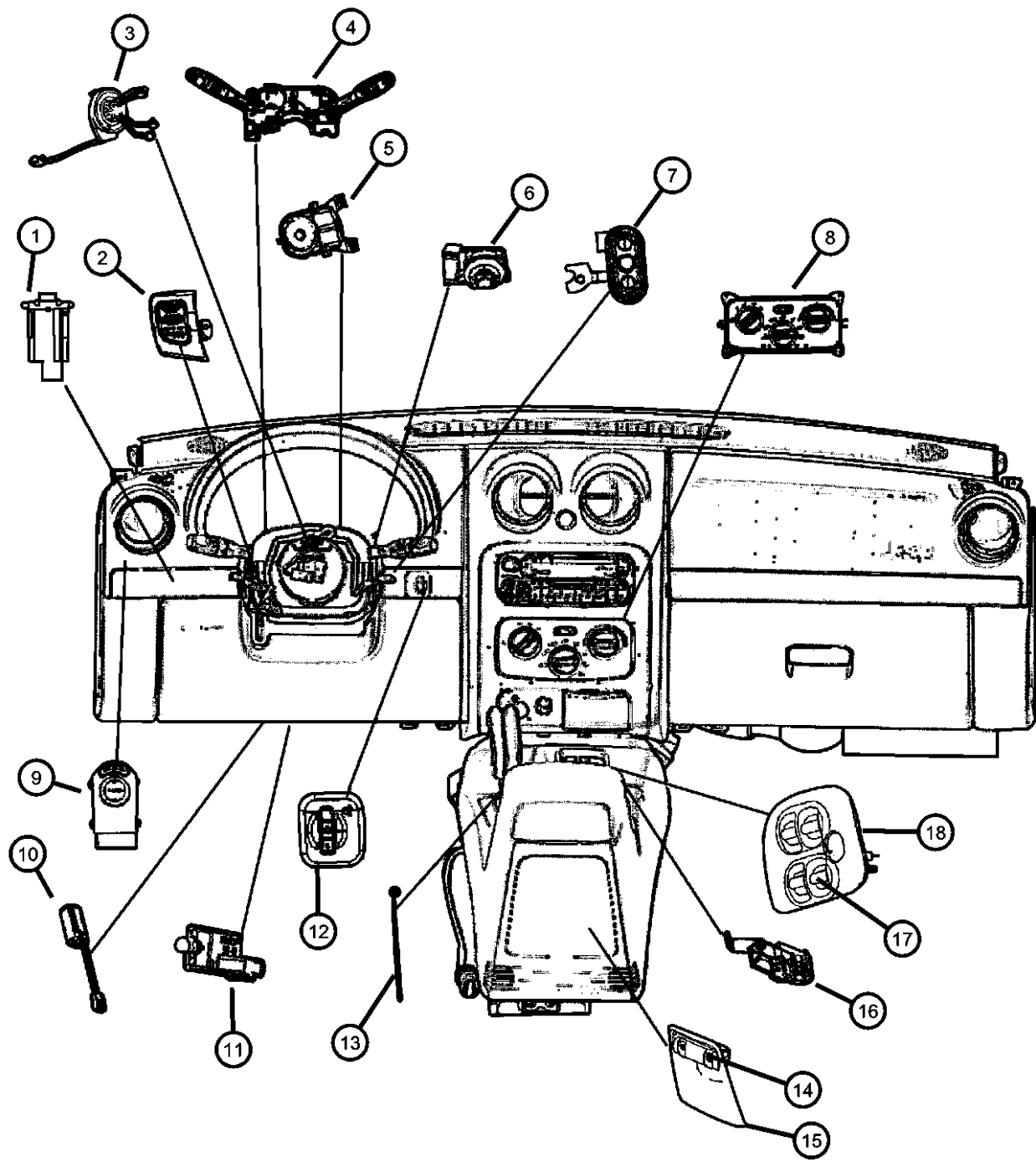
BODY  
74 = SPORT UTILITY 4-DR

ENGINE  
EKG = 3.7L V6 Engine  
ENR = 2.8L 4 Cyl Turbo Diesel Engine  
ENJ = 2.5L 4 Cyl 16V Turbo Diesel Engine  
ED1 = 2.4L 4 Cyl DOHC 16v SMPI Engine

TRANSMISSION  
DG6 = 4-Spd. Automatic 42RLE Transmission  
DGV = 4-Spd. Automatic VLP Transmission  
DGQ = 5-Spd Automatic 5-45RFE Transmission  
DEH = 6-Speed Manual NSG370 Transmission  
DDD = 5-Speed HD Manual Transmission  
DDK = 5-Speed HD Manual Transmission

AR = use ase required    - = Non illustrated part

**Switches (Instrument Panel and Console)**  
**Figure 8-810**

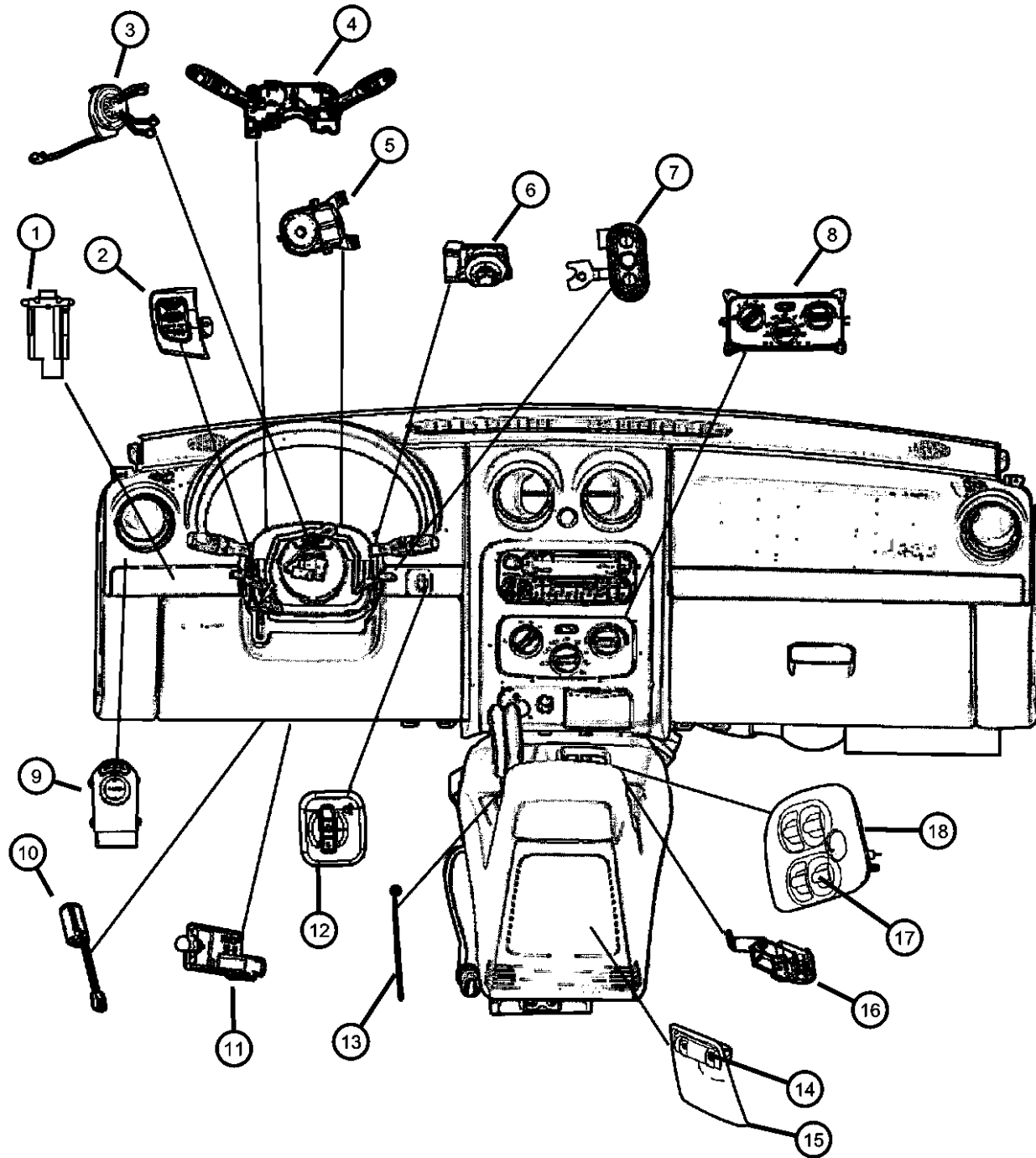


ITEM	PART NUMBER	QTY	LINE	SERIES	BODY	ENGINE	TRANS	TRIM	DESCRIPTION
7		1					DBB		SWITCH, Remote Radio
	56042312AB	1		P					Right
		1		H					Right
		1		M					Right
	56042313AB	1		H					Left
		1		M					Left
		1		P					Left
8	55037533AG	1							CONTROL, A/C And Heater
9									SWITCH, Mirror
	56010696AA	1	J, T						
	56010697AA	1	U						
10									SWITCH, Clutch Starter Interlock
	56010692AA	1	U				DBB		
		1	J, T			EK0	DBB		
		1	J, T			ED0, EN0	DBB		
11	05083344AA	1							SWITCH PACKAGE, Stop Lamp
12	56010204AE	1							SWITCH, Headlamp Leveling
13	56010204AE	1							SWITCH, Overdrive Lockout, Serviced in Shifter Assembly, (NOT SERVICED)
14	56010091AB	1							SWITCH, Power Window
15									BEZEL, Power Window Switch
	0WA64XD-HAB	1							[D5]
		1							[DB]
	0WA64ZJ8AB	1							[J1]
		1							[J3]
16									SWITCH, Parking Brake
	05209922	1					DG0		
	52127960	1					DEH		

**LIBERTY (KJ)**  
**SERIES**  
H = HIGHLINE  
M = MEDIUM  
P = PREMIUM  
**LINE**  
T = JEEP - 2WD  
J = JEEP - 4WD  
U = JEEP - 4WD (RHD)  
**BODY**  
74 = SPORT UTILITY 4-DR  
**ENGINE**  
EKG = 3.7L V6 Engine  
ENR = 2.8L 4 Cyl Turbo Diesel Engine  
ENJ = 2.5L 4 Cyl 16V Turbo Diesel Engine  
ED1 = 2.4L 4 Cyl DOHC 16v SMPI Engine  
**TRANSMISSION**  
DG6 = 4-Spd. Automatic 42RLE Transmission  
DGV = 4-Spd. Automatic VLP Transmission  
DGQ = 5-Spd Automatic 5-45RFE Transmission  
DEH = 6-Speed Manual NSG370 Transmission  
DDD = 5-Speed HD Manual Transmission  
DDK = 5-Speed HD Manual Transmission

AR = use ase required - = Non illustrated part

Switches (Instrument Panel and Console)  
Figure 8-810

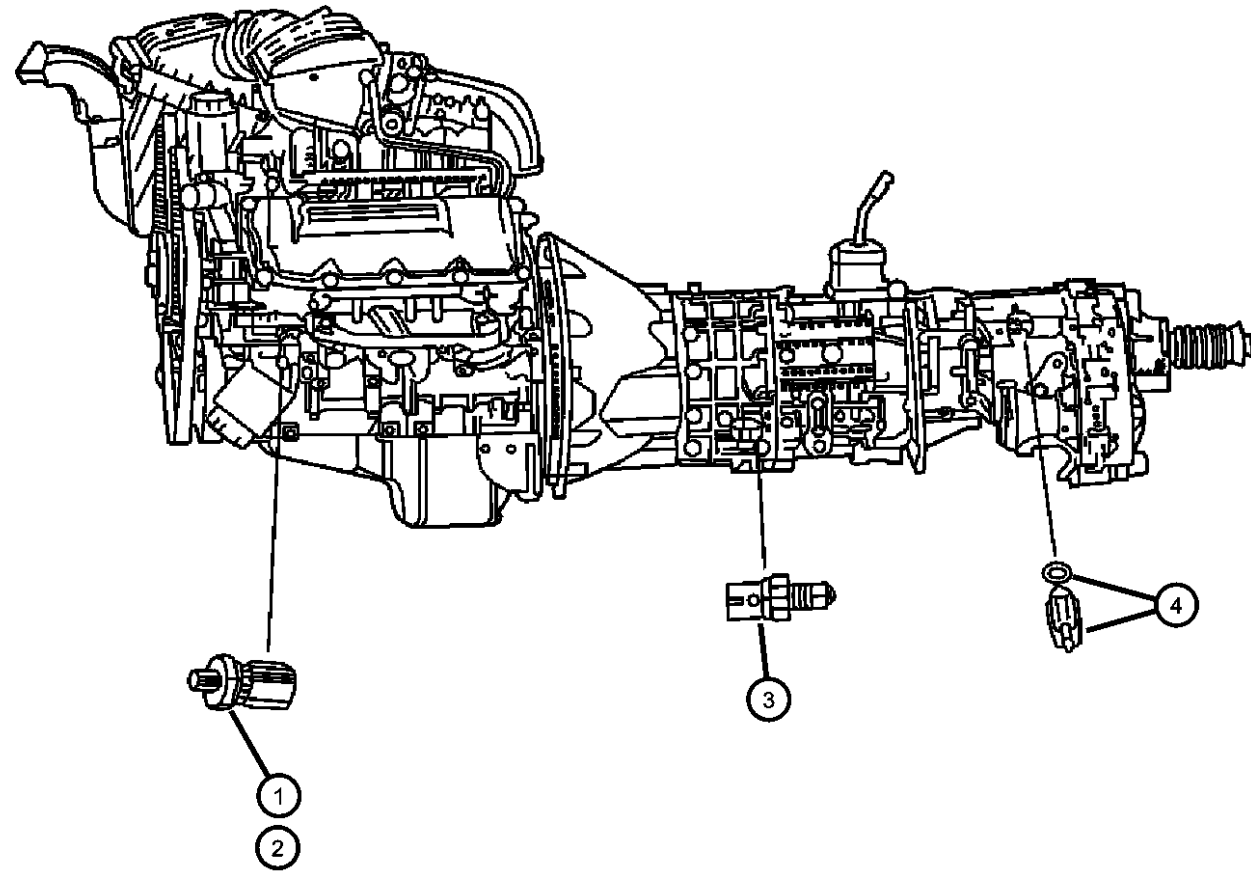


ITEM	PART NUMBER	QTY	LINE	SERIES	BODY	ENGINE	TRANS	TRIM	DESCRIPTION
17	56054002AA	1					DBB		SWITCH, Power Window
		1		H			DG0		Master window switch
		1		M			DG0		Master window switch
		1		P			DG0		Master window switch
18	5KC57DX9AA	1		H			DG0		BEZEL, Gear Selector
	5KC58AAAAA	1		M			DG0		
	5KC59XZAAA	1		P			DG0		
	5KC69DX9AA	1					DBB		
-19									SWITCH, Electronic Stability Program
	56044850AB	1		H			DG0		Includes bezel
		1		M, P			DG0		Includes bezel
		1		M, P			DBB		Includes bezel
		1		H			DBB		Includes bezel

<b>LIBERTY (KJ)</b>				
SERIES	LINE	BODY	ENGINE	TRANSMISSION
H = HIGHLINE	T = JEEP - 2WD	74 = SPORT UTILITY 4-DR	EKG = 3.7L V6 Engine	DG6 = 4-Spd. Automatic 42RLE
M = MEDIUM	J = JEEP - 4WD		ENR = 2.8L 4 Cyl Turbo Diesel Engine	Transmission
P = PREMIUM	U = JEEP - 4WD (RHD)		ENJ = 2.5L 4 Cyl 16V Turbo Diesel Engine	DGV = 4-Spd. Automatic VLP
			ED1 = 2.4L 4 Cyl DOHC 16v SMPI Engine	DGQ = 5-Spd Automatic 5-45RFE
				Transmission
				DEH = 6-Speed Manual NSG370
				Transmission
				DDD = 5-Speed HD Manual
				Transmission
				DDK = 5-Speed HD Manual
				Transmission

AR = use ase required - = Non illustrated part

Switches (Drive Train)  
Figure 8-820



ITEM	PART NUMBER	QTY	LINE	SERIES	BODY	ENGINE	TRANS	TRIM	DESCRIPTION
------	-------------	-----	------	--------	------	--------	-------	------	-------------

Notes:

- [ED0] = 2.4L 4 Cylinder Engine
- [EK0] = 3.7L V6 Cylinder Engine
- [EKG] = 3.7L V6 'Magnum' Engine
- [EN0] = 2.5L Diesel
- [DBB] = All Manual Transmissions
- [DDD] = 5 Speed Manual Transmissions
- [DDK] = 5 Speed Manual Transmissions
- [DG0] = All Automatic Transmissions

1									SENDING UNIT, Oil Pressure
	56028807AB	1				EN0	DG0		
		1				EN0	DBB		
2	04868672AA	1				EK0			SWITCH, Oil Pressure
3									SWITCH, Back Up Lamp
	05099770AA	1	T			EK0	DEH		
		1	J, U			EN0	DEH		
		1	J, U			EK0	DEH		
		1	T			ED0	DEH		
		1	J, U			ED0	DEH		
4	05083138AA	1	J, U						SWITCH, Transfer Case

LIBERTY (KJ)

SERIES	LINE
H = HIGHLINE	T = JEEP - 2WD
M = MEDIUM	J = JEEP - 4WD
P = PREMIUM	U = JEEP - 4WD (RHD)

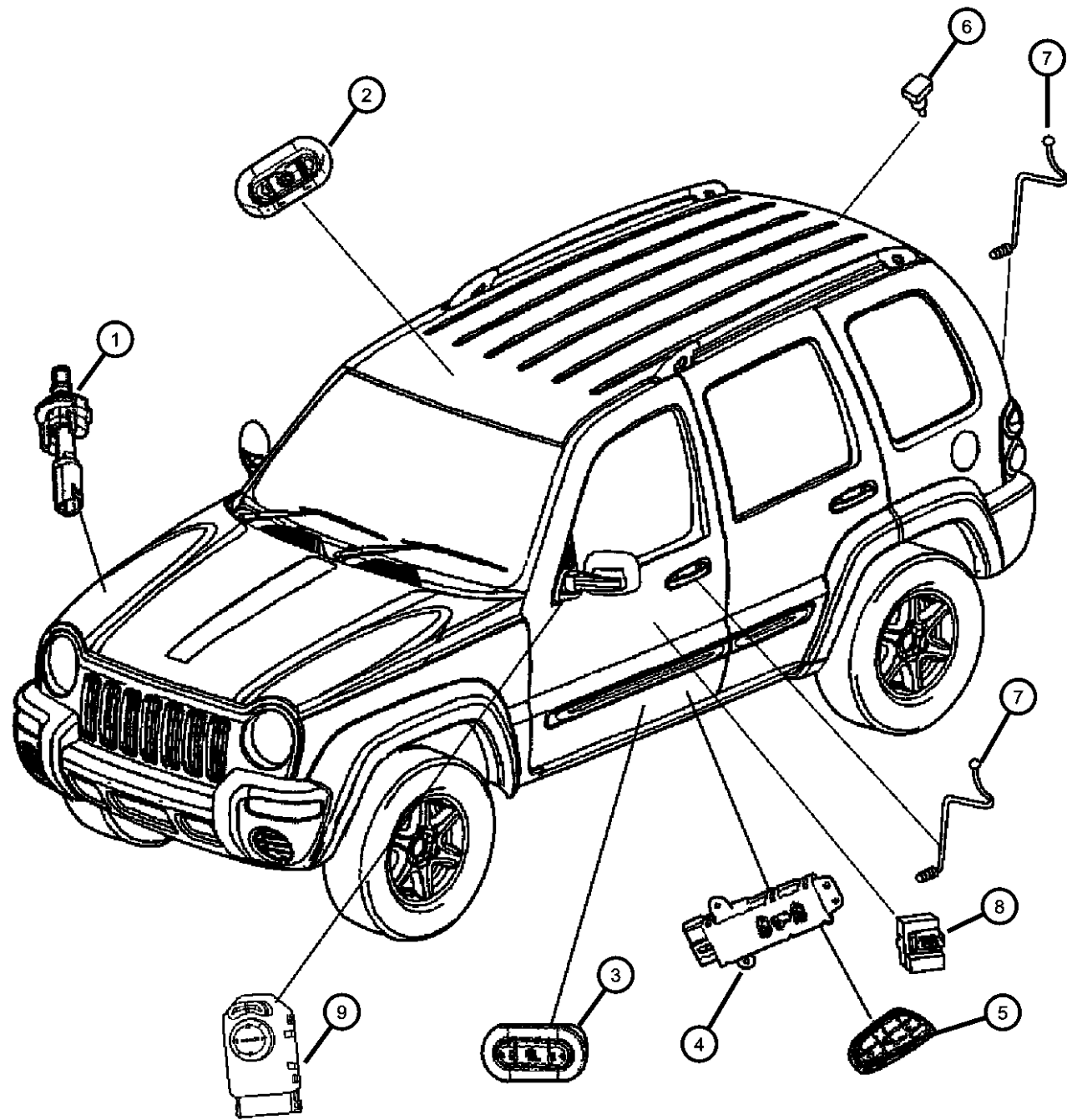
BODY  
74 = SPORT UTILITY 4-DR

ENGINE	TRANSMISSION
EKG = 3.7L V6 Engine	DG6 = 4-Spd. Automatic 42RLE
ENR = 2.8L 4 Cyl Turbo Diesel Engine	Transmission
ENJ = 2.5L 4 Cyl 16V Turbo Diesel Engine	DGV = 4-Spd. Automatic VLP
ED1 = 2.4L 4 Cyl DOHC 16v SMPI Engine	Transmission
	DGQ = 5-Spd Automatic 5-45RFE
	Transmission
	DEH = 6-Speed Manual NSG370
	Transmission
	DDD = 5-Speed HD Manual
	Transmission
	DDK = 5-Speed HD Manual
	Transmission

AR = use ase required - = Non illustrated part

2006 KJ

Switches (Body)  
Figure 8-830



ITEM	PART NUMBER	QTY	LINE	SERIES	BODY	ENGINE	TRANS	TRIM	DESCRIPTION
1	04707875AB	1							SWITCH, Underhood
2	04602688AA	1	J, T						SWITCH, Sunroof
	1BN48BD1AA	1	J, U						[CUD]
		1	J, T						[CUD]
		1	J, U						SWITCH, Heated Seat
3	5GW44DX9AB	2	J, T						Rocker is raised
		2	J, U						Rocker is raised
	5GW44DX9AC	2	J, T						Rocker is flush
		2	J, U						Rocker is flush
4	55352782AA	1	J, T						SWITCH, Seat
		2	J, T						[JPS]
		2	J, U						[JPT]
		2	J, U						[JPT]
5	04607042AB	1	J, T						KNOB, Power Seat Switch
		1	J, U						Right
	04607043AB	1	J, T						Right
		1	J, U						Left
		1	J, U						Left
6		1							SWITCH, Reading Lamp, Serviced in reading lamps assembly only, (NOT SERVICED)
7		1							SWITCH, Security Alarm, (NOT REQUIRED)
8	56010695AA	2							SWITCH, Door Lock
9	56010696AA	1	J, T						SWITCH, Mirror
	56010697AA	1	U						

LIBERTY (KJ)

SERIES      LINE  
H = HIGHLINE    T = JEEP - 2WD  
M = MEDIUM     J = JEEP - 4WD  
P = PREMIUM    U = JEEP - 4WD (RHD)

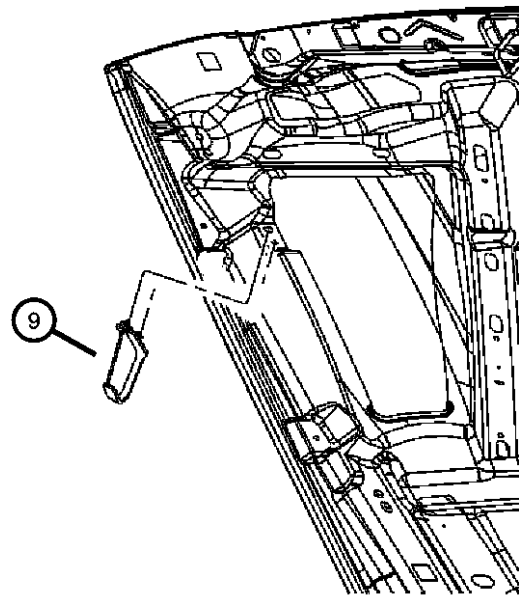
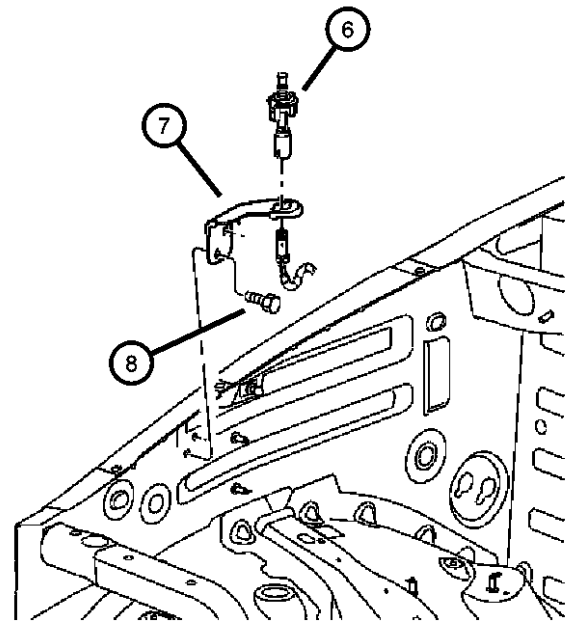
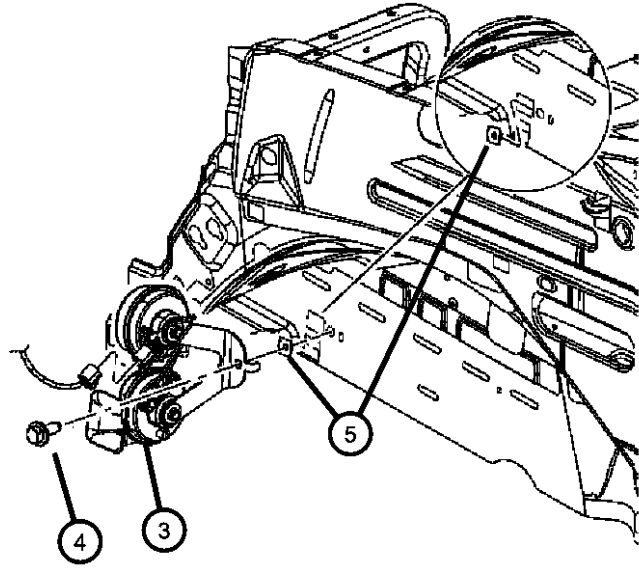
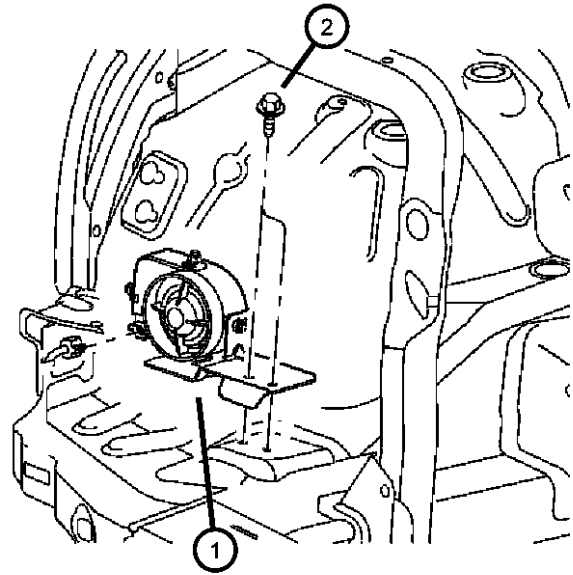
BODY  
74 = SPORT UTILITY 4-DR

ENGINE      TRANSMISSION  
EKG = 3.7L V6 Engine      DG6 = 4-Spd. Automatic 42RLE  
ENR = 2.8L 4 Cyl Turbo Diesel Engine      DGV = 4-Spd. Automatic VLP  
ENJ = 2.5L 4 Cyl 16V Turbo Diesel Engine      DGQ = 5-Spd Automatic 5-45RFE  
ED1 = 2.4L 4 Cyl DOHC 16v SMPI Engine      DEH = 6-Speed Manual NSG370  
Transmission  
DDD = 5-Speed HD Manual Transmission  
DDK = 5-Speed HD Manual Transmission

AR = use ase required - = Non illustrated part

2006 KJ

Horns  
Figure 8-905



ITEM	PART NUMBER	QTY	LINE	SERIES	BODY	ENGINE	TRANS	TRIM	DESCRIPTION
1	56010335AD	1							SIREN, Alarm
2	06505638AA	2							SCREW, Siren attaching
3	56050166AB	1							HORN AND BRACKET, Dual
4	06503543	1							BOLT AND CONED WASHER, Hex Head, M8x1.25x25
5	06503543	1							NUT, U Type Multi Thread, M8 x 1.25, (NOT SERVICED)
6	04707875AB	1							SWITCH, Underhood
7	56010290AB	1							BRACKET, Hood Ajar Disarm Switch
8	06505638AA	2							SCREW, Hood switch bracket attaching
9	56010147AE	1							PLATE, Striker

LIBERTY (KJ)

SERIES      LINE  
H = HIGHLINE    T = JEEP - 2WD  
M = MEDIUM    J = JEEP - 4WD  
P = PREMIUM    U = JEEP - 4WD (RHD)

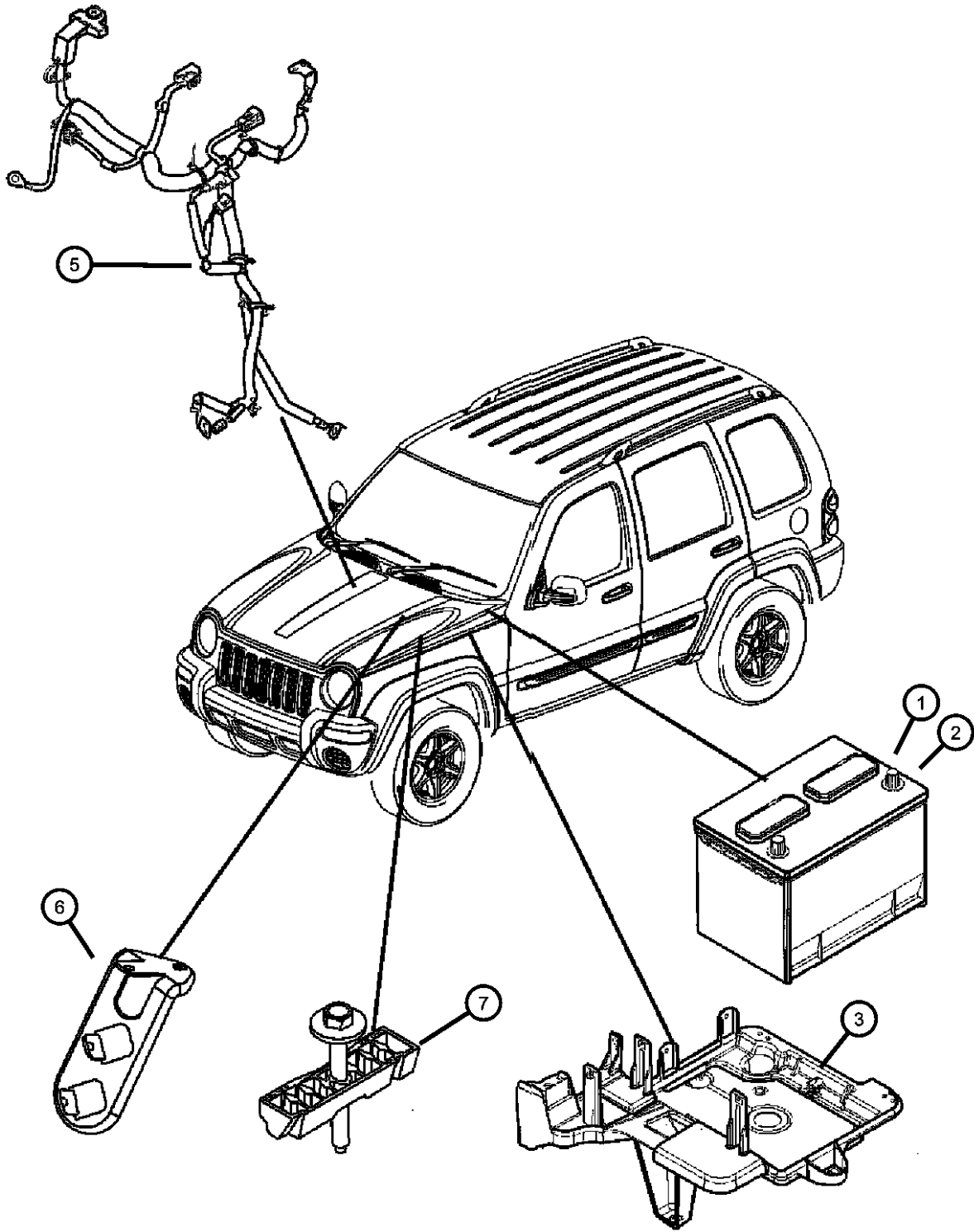
BODY  
74 = SPORT UTILITY 4-DR

ENGINE      TRANSMISSION  
EKG = 3.7L V6 Engine      DG6 = 4-Spd. Automatic 42RLE  
ENR = 2.8L 4 Cyl Turbo Diesel Engine      DGV = 4-Spd. Automatic VLP  
ENJ = 2.5L 4 Cyl 16V Turbo Diesel Engine      DGQ = 5-Spd Automatic 5-45RFE  
ED1 = 2.4L 4 Cyl DOHC 16v SMPI Engine      DEH = 6-Speed Manual NSG370  
Transmission  
DDD = 5-Speed HD Manual Transmission  
DDK = 5-Speed HD Manual Transmission

AR = use ase required - = Non illustrated part

Battery Tray & Cables

Figure 8-1005



ITEM	PART NUMBER	QTY	LINE	SERIES	BODY	ENGINE	TRANS	TRIM	DESCRIPTION
------	-------------	-----	------	--------	------	--------	-------	------	-------------

Notes:  
 [ED0] = 2.4L 4 Cylinder Engine  
 [EK0] = 3.7L V6 Cylinder Engine  
 [EN0] = All 4/5 Cylinder Turbo Diesel Engine

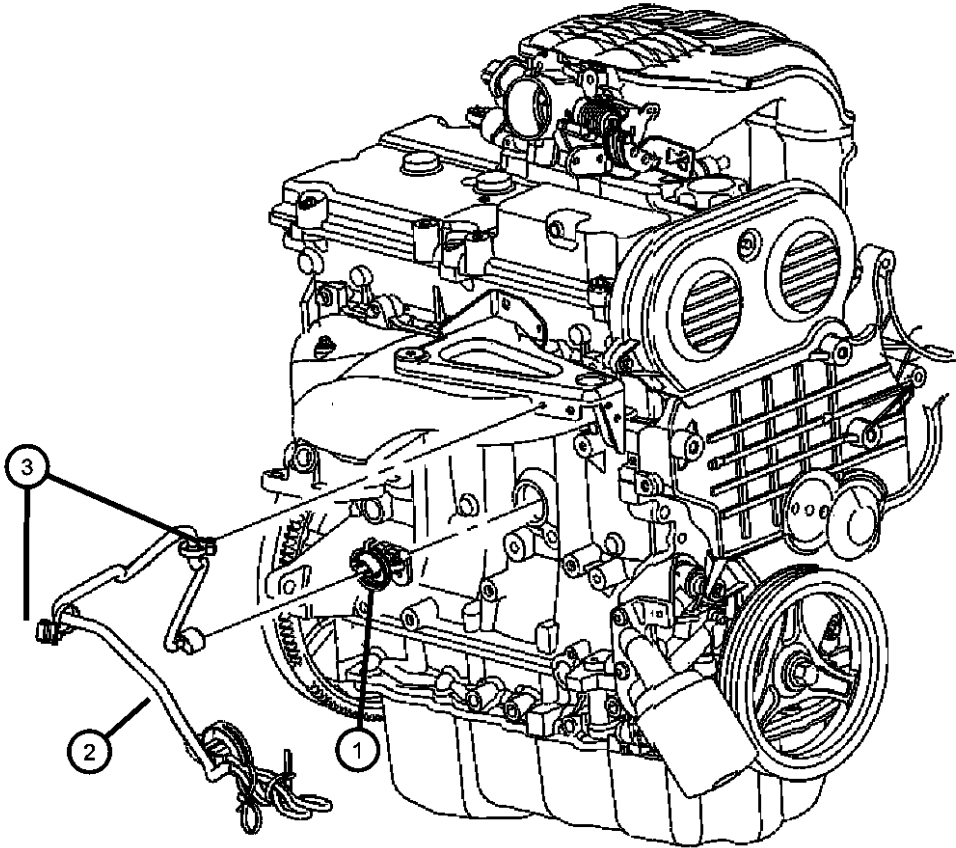
1	04868999AB	1	J, T, U		74	EN0			BATTERY, Storage
	BB034525AA	1							
2	04609365AE	1				EK0			BATTERY
	BB034600AA								Mopar Replacement Battery (72 Series)
	BBH34800AA								Mopar Replacement Battery (84 Series)
3	55360639AB	1				EK0			SUPPORT, Battery
	55360654AB	1				EN0			
-4	06101808	2							NUT, Hex, M6x1, Battery Wiring to PDC
5	56050300AG	1				EN0			WIRING, Alternator and Battery
	56050304AE	1		H, P		EK0			
	56050306AF	1		M		EK0			
6	56010275AB	1	U						BRACKET, Wiring
	56010291AB	1	J, T						
7	55136959AC	1							BRACKET, Battery Hold Down
-8	06503102	3							NUT AND WASHER, Hex Nut-Coned Washer, M6 x 1.00, Battery tray to wheel house
-9	56050594AA	1				EN0			BRACKET, Battery Wiring

<b>LIBERTY (KJ)</b>				
SERIES	LINE	BODY	ENGINE	TRANSMISSION
H = HIGHLINE	T = JEEP - 2WD	74 = SPORT UTILITY 4-DR	EKG = 3.7L V6 Engine	DG6 = 4-Spd. Automatic 42RLE
M = MEDIUM	J = JEEP - 4WD		ENR = 2.8L 4 Cyl Turbo Diesel Engine	Transmission
P = PREMIUM	U = JEEP - 4WD (RHD)		ENJ = 2.5L 4 Cyl 16V Turbo Diesel Engine	DGV = 4-Spd. Automatic VLP
			ED1 = 2.4L 4 Cyl DOHC 16v SMPI Engine	Transmission
				DGQ = 5-Spd Automatic 5-45RFE
				Transmission
				DEH = 6-Speed Manual NSG370
				Transmission
				DDD = 5-Speed HD Manual
				Transmission
				DDK = 5-Speed HD Manual
				Transmission

AR = use ase required - = Non illustrated part

**Engine Block Heaters  
Figure 8-1010**

ITEM	PART NUMBER	QTY	LINE	SERIES	BODY	ENGINE	TRANS	TRIM	DESCRIPTION
1	56041304AB	1				EK0			HEATER, Engine
2	56044738AA	1				EN0	DG0		HEATER, Engine Block
3									CORD, Engine Block Heater
	56041974AA	1				EK0			
	56044765AA	1				EN0	DG0		
4	04641780	1							STRAP, Tie



**LIBERTY (KJ)**

SERIES      LINE  
H = HIGHLINE    T = JEEP - 2WD  
M = MEDIUM     J = JEEP - 4WD  
P = PREMIUM    U = JEEP - 4WD (RHD)

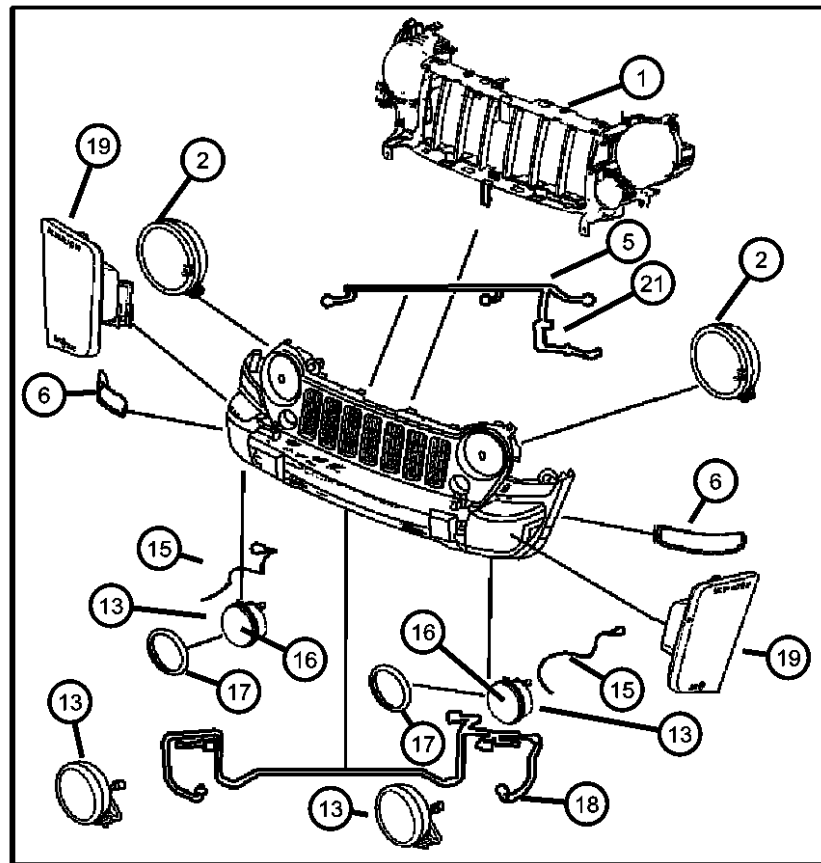
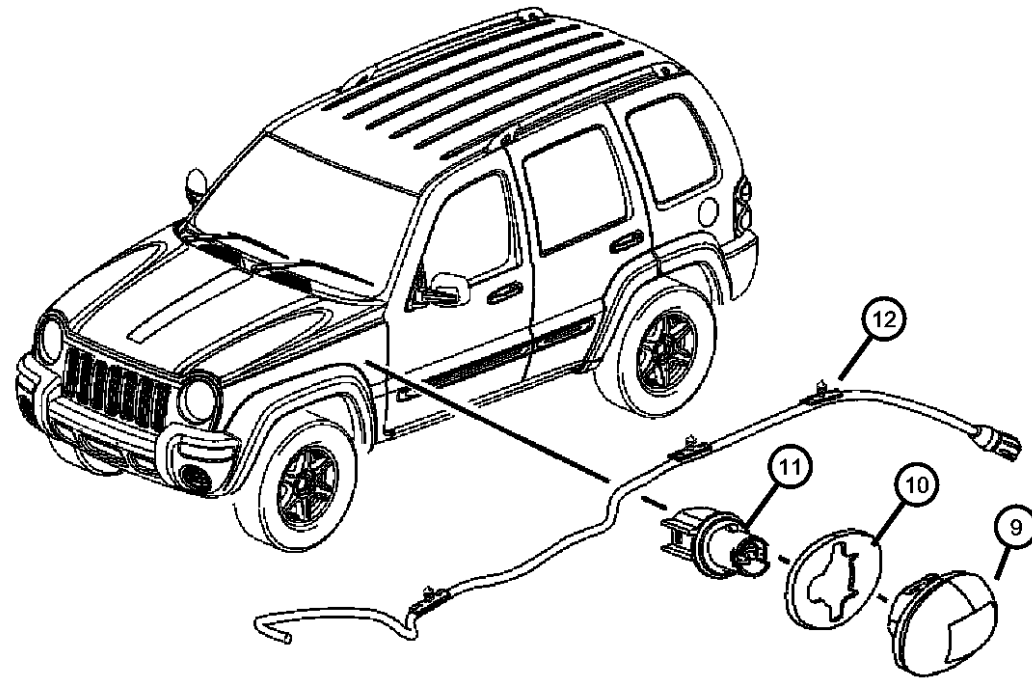
BODY  
74 = SPORT UTILITY 4-DR

ENGINE      TRANSMISSION  
EKG = 3.7L V6 Engine      DG6 = 4-Spd. Automatic 42RLE  
ENR = 2.8L 4 Cyl Turbo Diesel      Transmission  
Engine      DGV = 4-Spd. Automatic VLP  
ENJ = 2.5L 4 Cyl 16V Turbo      Transmission  
Diesel Engine      DGQ = 5-Spd Automatic 5-45RFE  
ED1 = 2.4L 4 Cyl DOHC 16v      Transmission  
SMPI Engine      DEH = 6-Speed Manual NSG370  
Transmission  
DDD = 5-Speed HD Manual  
Transmission  
DDK = 5-Speed HD Manual  
Transmission

AR = use ase required - = Non illustrated part



Lamp, Front  
Figure 8-1105



ITEM	PART NUMBER	QTY	LINE	SERIES	BODY	ENGINE	TRANS	TRIM	DESCRIPTION
For bulbs see illustration 1125									
1	55156755AF	1	J, T	H, P					REINFORCEMENT, Grille Opening
		1	J	H, P		ED0, EK0			
		1	J	H, P		EN0			
		1	U	H, P		ED0, EK0			
		1	U	H, P		EN0			
	55156968AE	1	J, T	M					
		1	J	M					
		1	U	M					
2	55155812AD	1	J	H, P		EN0			HEADLAMP Right, Export
		1	J	M					Right, Export
	55155813AD	1	J	H, P		ED0, EK0			Left, Export
		1	J	H, P		ED0, EK0			Right, Export
	55155814AD	1	U	H, P		ED0, EK0			Right
		1	U	H, P		EN0			Right
		1	J	M					Left, Export
		1	J	H, P		EN0			Left, Export
	55155815AD	1	U	H, P		ED0, EK0			Left
		1	U	H, P		EN0			Left
		1	U	M					Left
		1	U	M					Right
	55155816AD	1	J	H, P		ED0, EK0			[JKL], Right
		1	J	H, P		EN0			[JKL], Right
		1	J	M					[JKL], Right
	55155817AD	1	J	H, P		EN0			[JKL], Left
		1	J	H, P		ED0, EK0			[JKL], Left
		1	J	M					[JKL], Left
	55155818AD	1	U	H, P		ED0, EK0			[JKL], Right

LIBERTY (KJ)

SERIES LINE BODY  
H = HIGHLINE T = JEEP - 2WD 74 = SPORT UTILITY 4-DR  
M = MEDIUM J = JEEP - 4WD  
P = PREMIUM U = JEEP - 4WD (RHD)

BODY  
74 = SPORT UTILITY 4-DR

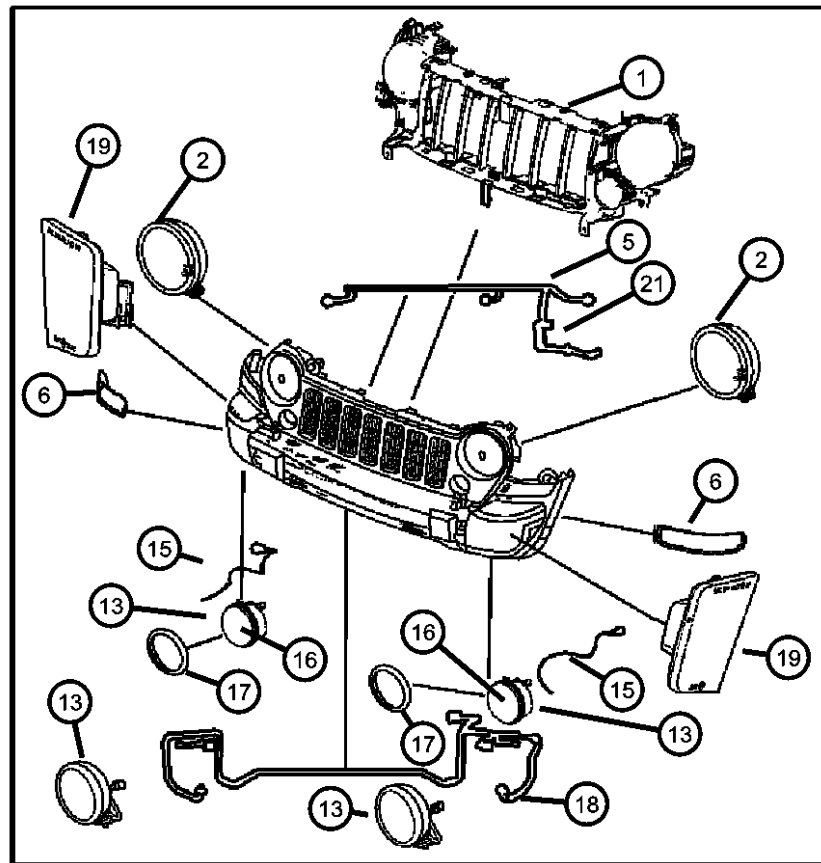
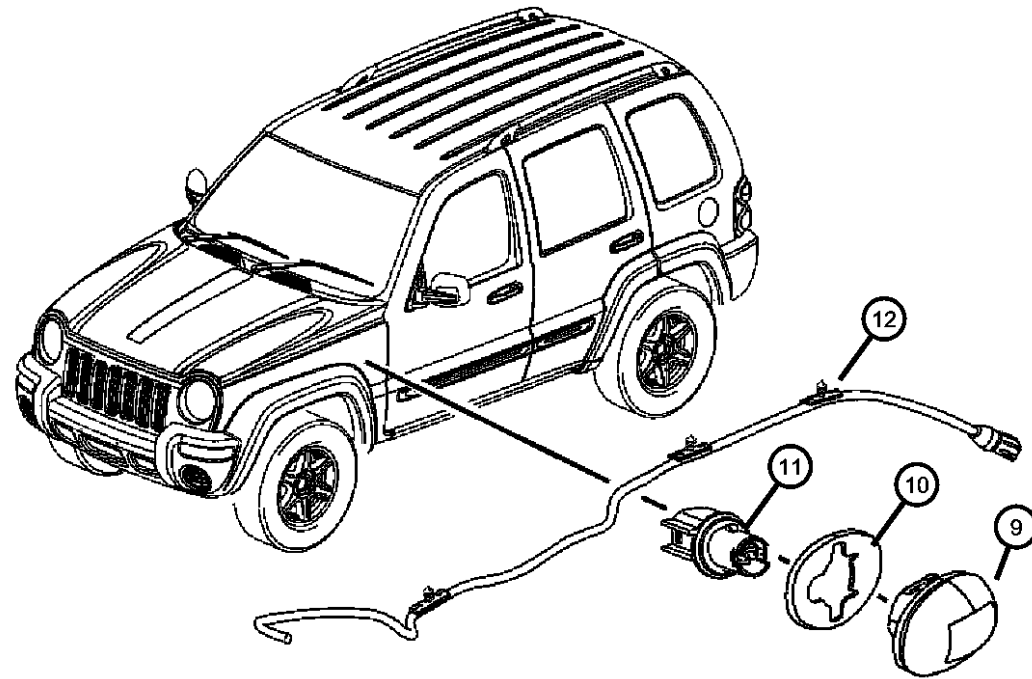
ENGINE  
EKG = 3.7L V6 Engine  
ENR = 2.8L 4 Cyl Turbo Diesel Engine  
ENJ = 2.5L 4 Cyl 16V Turbo Diesel Engine  
ED1 = 2.4L 4 Cyl DOHC 16V SMPI Engine

TRANSMISSION  
DG6 = 4-Spd. Automatic 42RLE Transmission  
DGV = 4-Spd. Automatic VLP Transmission  
DGQ = 5-Spd Automatic 5-45RFE Transmission  
DEH = 6-Speed Manual NSG370 Transmission  
DDD = 5-Speed HD Manual Transmission  
DDK = 5-Speed HD Manual Transmission

AR = use ase required - = Non illustrated part

2006 KJ

Lamp, Front  
Figure 8-1105



ITEM	PART NUMBER	QTY	LINE	SERIES	BODY	ENGINE	TRANS	TRIM	DESCRIPTION
		1	U	H, P		EN0			[JKL], Right
		1	U	M					[JKL], Right
	55155819AD	1	U	H, P		ED0, EK0			[JKL], Left
		1	U	H, P		EN0			[JKL], Left
		1	U	M					[JKL], Left
	55157140AA	1	J, T	H, P					Right
		1	J, T	M					Right
	55157141AA	1	J, T	H, P					Left
		1	J, T	M					Left
-3	06505903AA	4							SCREW AND WASHER, Self Tapping, M6x1x22, Headlamp Mounting
-4									RETAINER, Headlamp Bulb
	05126316AA	1	J, T	H, P					
		1	J, T	M					
5									WIRING, Headlamp
	55156820AB	1	J, T	H, P					
	55156821AB	1	J, T	H, P					[LNJ]
	55156822AC	1	J	H, P		ED0, EK0			Export
		1	U	H, P		ED0, EK0			Export
	55156823AC	1	J	H, P		ED0, EK0			[LNJ], Export
		1	J	H, P		EN0			[LNJ], Export
		1	U	H, P		EK0, ED0			[LNJ], Export
		1	U	H, P		EN0			[LNJ], Export
	55156824AC	1	J	H, P		ED0, EK0			[JKL], Export
		1	U	H, P		ED0, EK0			[JKL], Export
	55156825AC	1	J	H, P		ED0, EK0			
		1	J	H, P		EN0			
		1	U	H, P		ED0, EK0			
		1	U	H, P		EN0			

LIBERTY (KJ)

SERIES LINE BODY  
H = HIGHLINE T = JEEP - 2WD 74 = SPORT UTILITY 4-DR  
M = MEDIUM J = JEEP - 4WD  
P = PREMIUM U = JEEP - 4WD (RHD)

BODY  
74 = SPORT UTILITY 4-DR

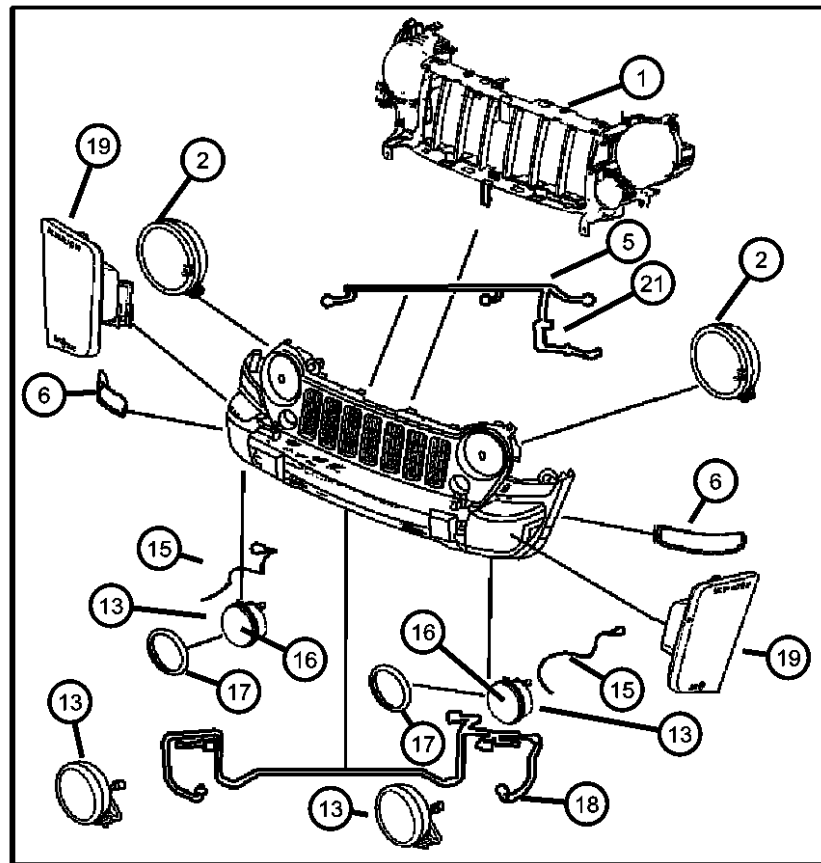
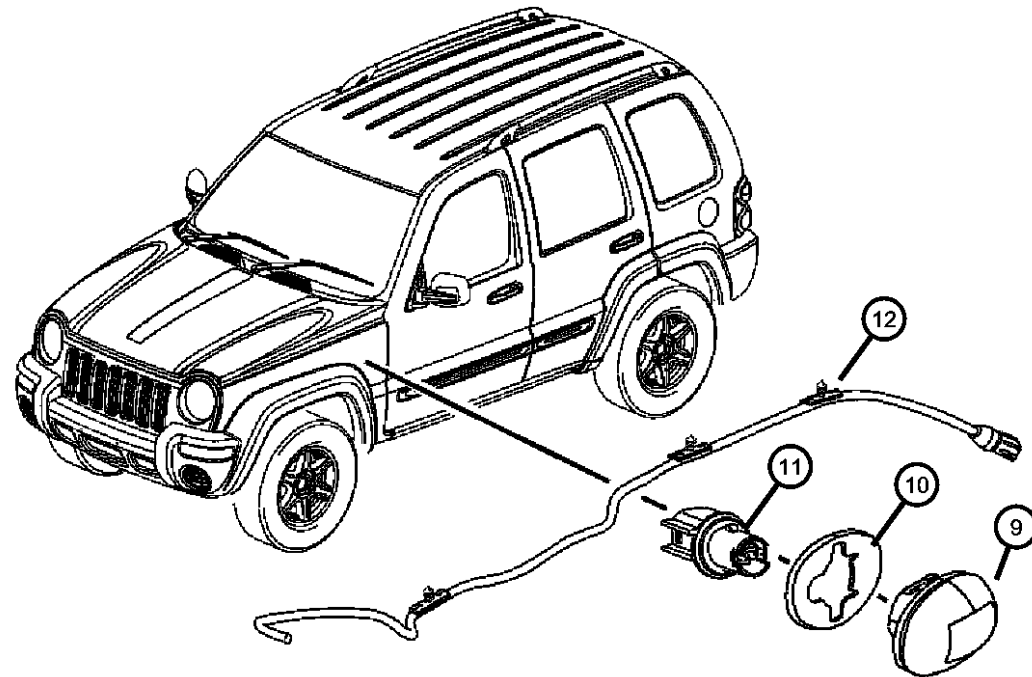
ENGINE  
EKG = 3.7L V6 Engine  
ENR = 2.8L 4 Cyl Turbo Diesel Engine  
ENJ = 2.5L 4 Cyl 16V Turbo Diesel Engine  
ED1 = 2.4L 4 Cyl DOHC 16V SMPI Engine

TRANSMISSION  
DG6 = 4-Spd. Automatic 42RLE Transmission  
DGV = 4-Spd. Automatic VLP Transmission  
DGQ = 5-Spd Automatic 5-45RFE Transmission  
DEH = 6-Speed Manual NSG370 Transmission  
DDD = 5-Speed HD Manual Transmission  
DDK = 5-Speed HD Manual Transmission

AR = use ase required - = Non illustrated part

2006 KJ

Lamp, Front  
Figure 8-1105



ITEM	PART NUMBER	QTY	LINE	SERIES	BODY	ENGINE	TRANS	TRIM	DESCRIPTION
	55157107AC	1	J, T	M					
	55157108AD	1	J	M					Export
		1	U	M					Export
	55157109AD	1	J	M					[JKL], Export
		1	U	M					[JKL], Export
6									LAMP, Front Combination
	55156766AE	1	J, T, U		74				Right
		1	J, T		74				Right
	55156767AE	1	J, T		74				Left
		1	J, T, U		74				Left
-7	06036216AA	2							SCREW, Tapping, .164-18x.625, Combination lamp attaching
-8									SOCKET, Side Marker
	55156754AA	1	J	H, P		ED0, EK0			
		1	J	H, P		EN0			
		1	U	H, P		ED0, EK0			
		1	U	H, P		EN0			
9	05288895AC	1							LAMP, Side Repeater
10	04676801	1							GASKET, Side Marker Lamp
11	05288931AA	1							SOCKET, Side Repeater Lamp
12	55156010AA	2							WIRING, Side Repeater Lamp
13									LAMP, Fog
	55156866AA	2	J	H, P		ED0, EK0			
		2	U	H, P		ED0, EK0			
	55156923AD	2		M					
-14	05179204AA	2	J, T	H, P					MOUNTING KIT, Light, Includes fog lamp adjuster
15	05143393AA	1		M					WIRING, Fog Lamp
16	05142393AB	1		M					LENS, Fog Lamp
17	05142394AA	1		M					BEZEL, Fog Lamp
18	55157102AB	2							WIRING, Front End Lighting

LIBERTY (KJ)

SERIES LINE  
H = HIGHLINE T = JEEP - 2WD  
M = MEDIUM J = JEEP - 4WD  
P = PREMIUM U = JEEP - 4WD (RHD)

BODY  
74 = SPORT UTILITY 4-DR

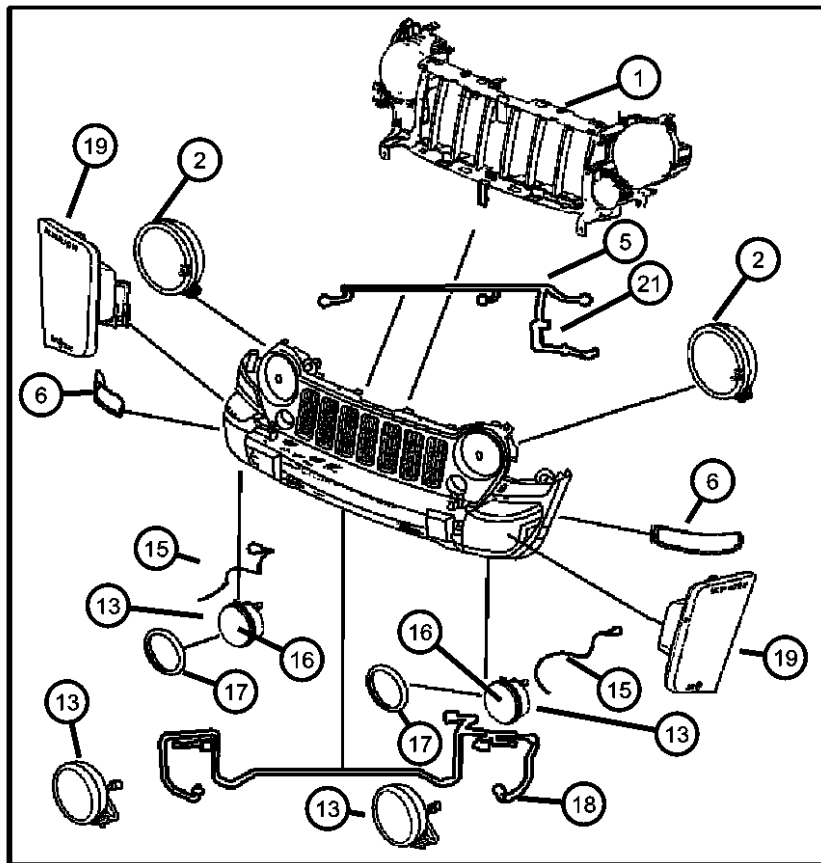
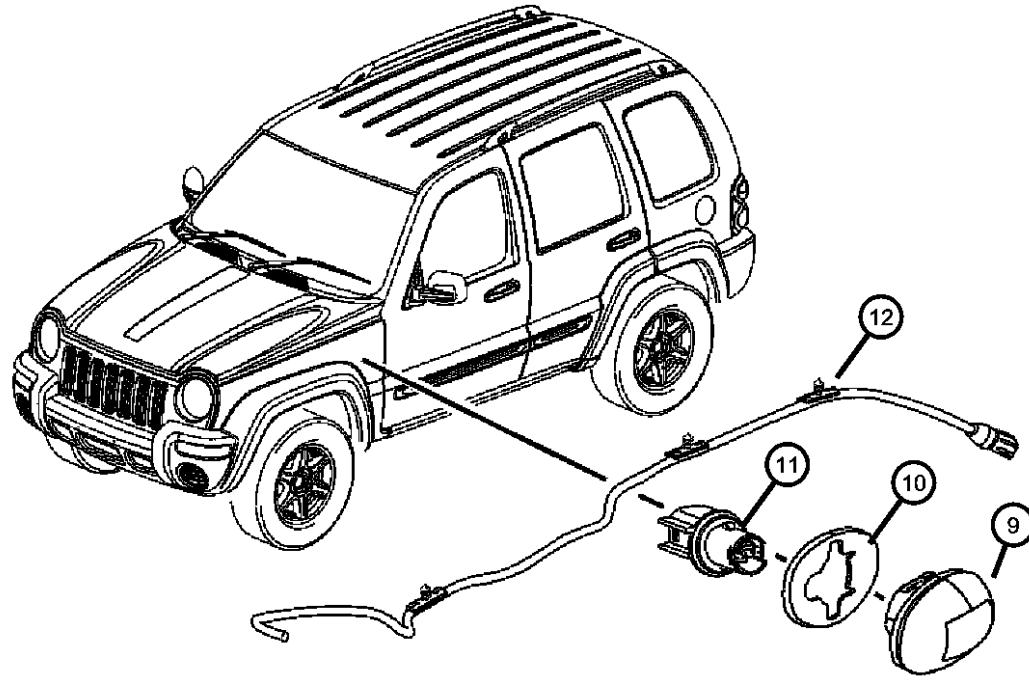
ENGINE TRANSMISSION  
EKG = 3.7L V6 Engine DG6 = 4-Spd. Automatic 42RLE  
ENR = 2.8L 4 Cyl Turbo Diesel Transmission  
Engine DGV = 4-Spd. Automatic VLP  
ENJ = 2.5L 4 Cyl 16V Turbo Transmission  
Diesel Engine DGQ = 5-Spd Automatic 5-45RFE  
ED1 = 2.4L 4 Cyl DOHC 16v Transmission  
SMPI Engine DEH = 6-Speed Manual NSG370  
Transmission  
DDD = 5-Speed HD Manual  
Transmission  
DDK = 5-Speed HD Manual  
Transmission

AR = use ase required - = Non illustrated part

2006 KJ

Lamp, Front  
Figure 8-1105

ITEM	PART NUMBER	QTY	LINE	SERIES	BODY	ENGINE	TRANS	TRIM	DESCRIPTION
19	55156882AB	1							LAMP, Side Marker Right
	55156883AB	1							Left
	55156884AB	1							Right, Export
	55156885AB	1							Left, Export
-20	05303412AB	2							CLIP
21	55157111AB	2							WIRING, Front End LightingExport



LIBERTY (KJ)

SERIES  
 H = HIGHLINE  
 M = MEDIUM  
 P = PREMIUM

LINE  
 T = JEEP - 2WD  
 J = JEEP - 4WD  
 U = JEEP - 4WD (RHD)

BODY  
 74 = SPORT UTILITY 4-DR

ENGINE  
 EKG = 3.7L V6 Engine  
 ENR = 2.8L 4 Cyl Turbo Diesel Engine  
 ENJ = 2.5L 4 Cyl 16V Turbo Diesel Engine  
 ED1 = 2.4L 4 Cyl DOHC 16v SMPI Engine

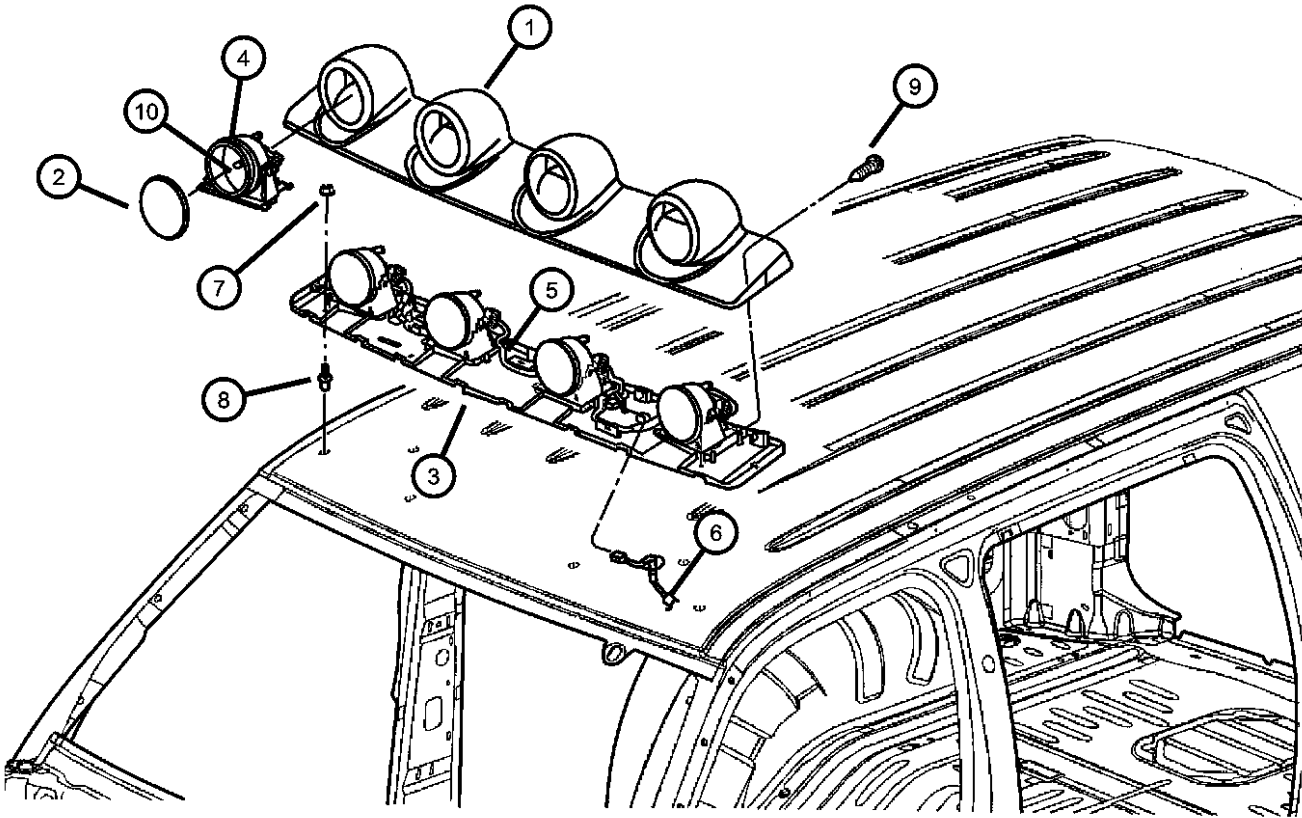
TRANSMISSION  
 DG6 = 4-Spd. Automatic 42RLE Transmission  
 DGV = 4-Spd. Automatic VLP Transmission  
 DGQ = 5-Spd Automatic 5-45RFE Transmission  
 DEH = 6-Speed Manual NSG370 Transmission  
 DDD = 5-Speed HD Manual Transmission  
 DDK = 5-Speed HD Manual Transmission

AR = use ase required - = Non illustrated part

2006 KJ

Lamps Roof (Renegade)  
Figure 8-1110

ITEM	PART NUMBER	QTY	LINE	SERIES	BODY	ENGINE	TRANS	TRIM	DESCRIPTION
1									COVER, Light Bar Support
	5HZ01RXFAH	1							
	5HZ08RXFAH	1							[ABE] Up to 09/08/05
	5HZ08RXFAI	1							[ABE] After 09/08/05
2	5HZ07RXFAF	1							COVER, Lamp
3	05083967AA	1							BAR, Light Support
4	52112063AC	4							LAMP, Off Road
5									WIRING, Off Road Light
	52112062AE	1							
	52112092AE	1							[ABE]
6	56050301AA	1							WIRING, Roof Lamps
7	06507782AA	6							RIVET STUD
8	06504513	6							NUT AND WASHER, Hex Nut-Coned Washer, M6 x 1.00
9	06507783AA	4							SCREW, Shoulder
10									BULB, Headlamp
	L0009006	1							
		1							[ABE]



LIBERTY (KJ)

SERIES LINE  
H = HIGHLINE T = JEEP - 2WD  
M = MEDIUM J = JEEP - 4WD  
P = PREMIUM U = JEEP - 4WD (RHD)

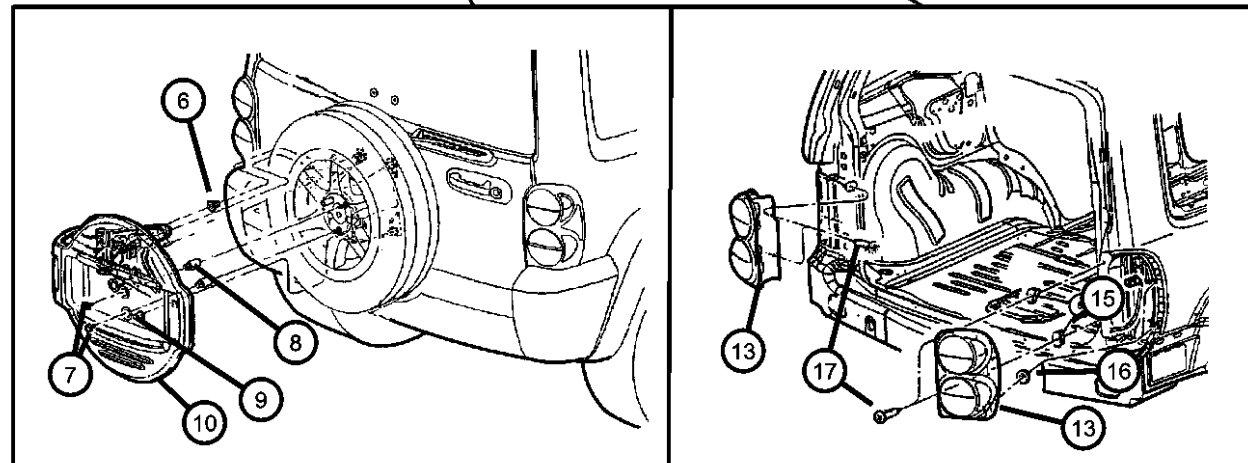
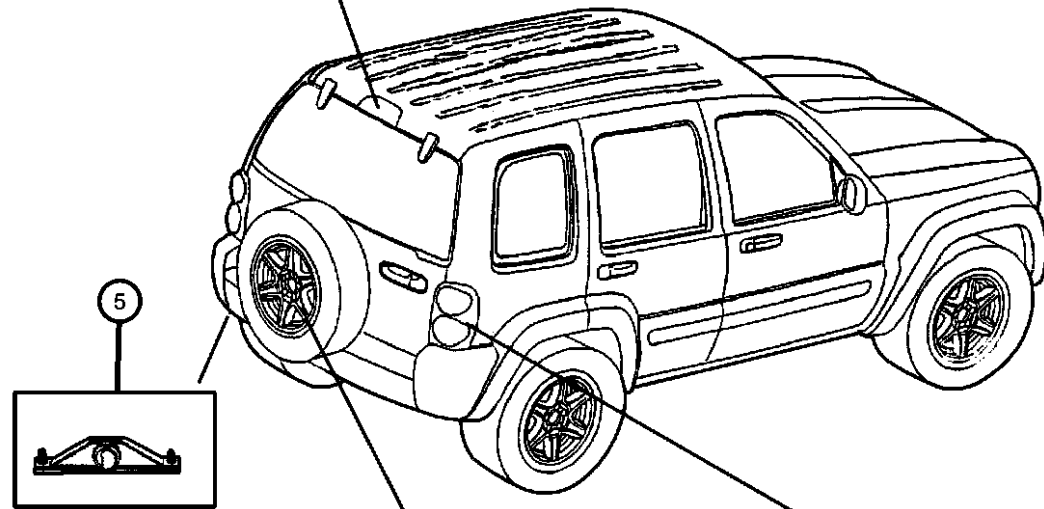
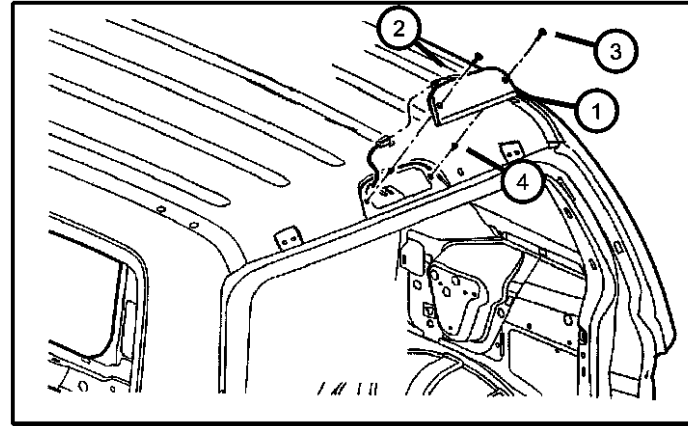
BODY  
74 = SPORT UTILITY 4-DR

ENGINE TRANSMISSION  
EKG = 3.7L V6 Engine DG6 = 4-Spd. Automatic 42RLE  
ENR = 2.8L 4 Cyl Turbo Diesel Engine Transmission  
ENJ = 2.5L 4 Cyl 16V Turbo Diesel Engine DGV = 4-Spd. Automatic VLP  
ED1 = 2.4L 4 Cyl DOHC 16v SMPI Engine Transmission  
DGQ = 5-Spd Automatic 5-45RFE  
DEH = 6-Speed Manual NSG370  
DDD = 5-Speed HD Manual Transmission  
DDK = 5-Speed HD Manual Transmission

AR = use ase required - = Non illustrated part

2006 KJ

Lamp, Rear  
Figure 8-1115



ITEM	PART NUMBER	QTY	LINE	SERIES	BODY	ENGINE	TRANS	TRIM	DESCRIPTION
For bulbs see illustration 1125									
1	55157130AA	1							LAMP, High Mounted Stop
2	55156027AB	1							SOCKET, High Mounted Stop Lamp
3	06036534AA	2							SCREW, .19-16x1.00
4	06507330AA	2							NUT, Plastic Snap-in, High Mounted Stop Lamp mounting
5									LAMP, License Plate
	04574904	1							[MLC]
		1							[MLS]
		1							[MLA]
6		1							NUT/RIVET, M6x1.0, (NOT SERVICED),
7	06506429AA	2	J, U						SCREW, M8x1.25x21
8	06036303AA	2	J, U						NUT, .50-20, [TBR], Export
9	06507799AA	4							NUT, Wheel
10									BRACKET, License Plate
	5HF06RXFAK	1	J, U	H, P					[TBR], Export
		1	J, U	M					[TBR], Export
-11									LAMP, License
	55156006AA	2	J, U	H, P					[TBR], Export
		2	J, U	M					[TBR], Export
-12	56010329AD	1							WIRING, License Lamp
13									LAMP, Tail Stop Turn
	55157060AD	1							Right
	55157061AD	1							Left
	55157062AC	1		H, P					[ABE], Right
	55157063AC	1		H, P					[ABE], Left
	5KJ40RXFAC	1							[MXG], Right
	5KJ41RXFAC	1							[MXG], Left
	5KJ44RXFAC	1							[MXG,ABE], Right
	5KJ45RXFAC	1							[MXG,ABE], Left

LIBERTY (KJ)

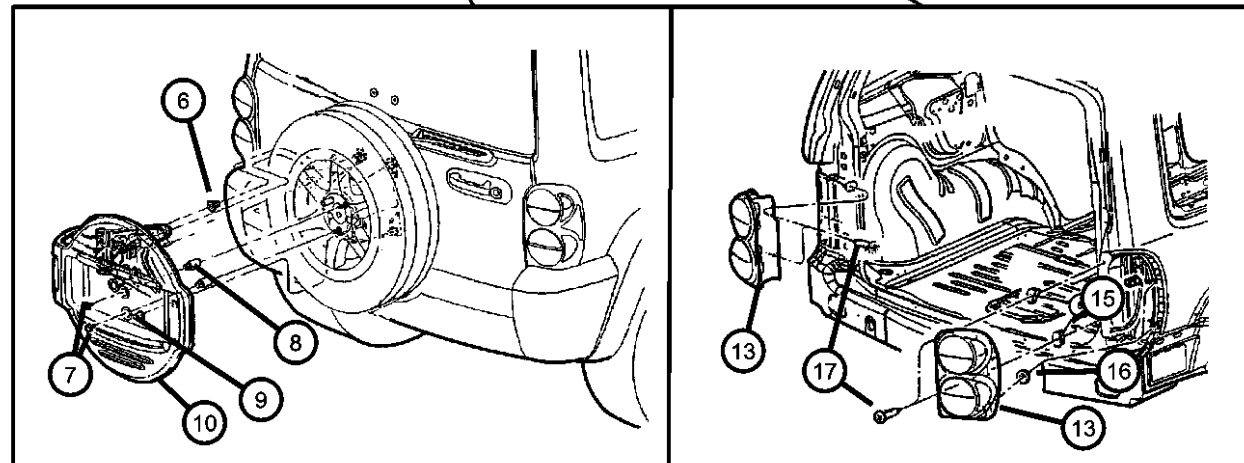
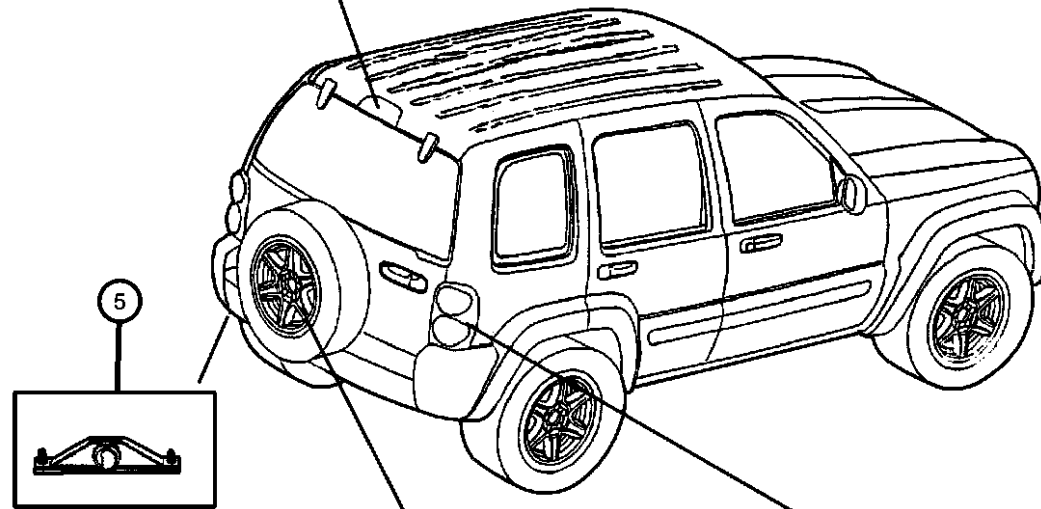
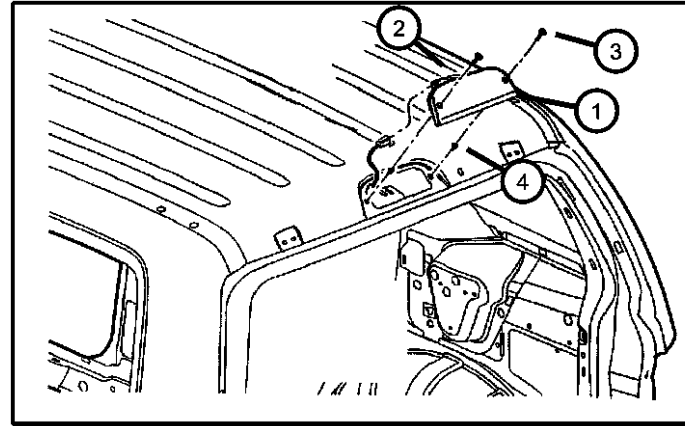
SERIES LINE BODY  
H = HIGHLINE T = JEEP - 2WD 74 = SPORT UTILITY 4-DR  
M = MEDIUM J = JEEP - 4WD  
P = PREMIUM U = JEEP - 4WD (RHD)

ENGINE  
EKG = 3.7L V6 Engine  
ENR = 2.8L 4 Cyl Turbo Diesel Engine  
ENJ = 2.5L 4 Cyl 16V Turbo Diesel Engine  
ED1 = 2.4L 4 Cyl DOHC 16V SMPI Engine

TRANSMISSION  
DG6 = 4-Spd. Automatic 42RLE Transmission  
DGV = 4-Spd. Automatic VLP Transmission  
DGQ = 5-Spd Automatic 5-45RFE Transmission  
DEH = 6-Speed Manual NSG370 Transmission  
DDD = 5-Speed HD Manual Transmission  
DDK = 5-Speed HD Manual Transmission

AR = use ase required - = Non illustrated part

Lamp, Rear  
Figure 8-1115



ITEM	PART NUMBER	QTY	LINE	SERIES	BODY	ENGINE	TRANS	TRIM	DESCRIPTION
-14									SOCKET, Board
	04676589	2							Use for 3157 bulb
	55157302AA	1							Use for 3757 bulb
15	06507347AA	4							NUT, Plastic Snap-in
16	06507347AA	4							NUT, Plastic Snap-in, Tail lamp mounting
17	06104568AA	4							SCREW, Tail lamp mounting
-18									WIRING, Rear Lamp
	56050283AB	1	J, T						
	56050484AB	1	J, U						Export
	56050595AB	1	J, T						[XGM]
	56050868AA	1	J, U						[XGM], Export

LIBERTY (KJ)

SERIES      LINE  
H = HIGHLINE    T = JEEP - 2WD  
M = MEDIUM     J = JEEP - 4WD  
P = PREMIUM    U = JEEP - 4WD (RHD)

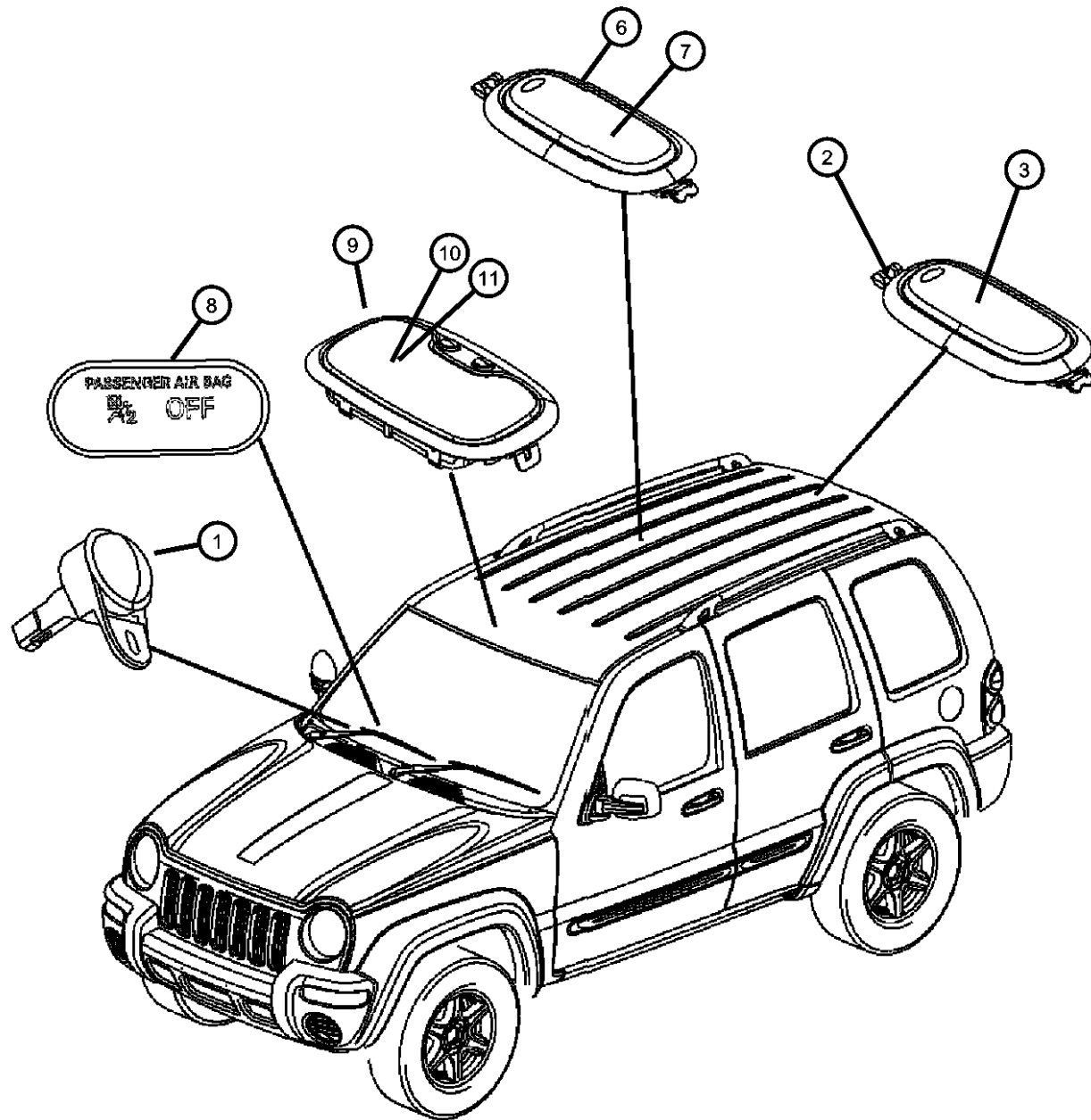
BODY  
74 = SPORT UTILITY 4-DR

ENGINE      TRANSMISSION  
EKG = 3.7L V6 Engine      DG6 = 4-Spd. Automatic 42RLE  
ENR = 2.8L 4 Cyl Turbo Diesel Engine      DGV = 4-Spd. Automatic VLP  
ENJ = 2.5L 4 Cyl 16V Turbo Diesel Engine      DGQ = 5-Spd Automatic 5-45RFE  
ED1 = 2.4L 4 Cyl DOHC 16v SMPI Engine      DEH = 6-Speed Manual NSG370  
Transmission  
DDD = 5-Speed HD Manual Transmission  
DDK = 5-Speed HD Manual Transmission

AR = use ase required - = Non illustrated part

2006 KJ

Lamp, Courtesy  
Figure 8-1120



ITEM	PART NUMBER	QTY	LINE	SERIES	BODY	ENGINE	TRANS	TRIM	DESCRIPTION
NOTE: see 8 1125 for Bulbs									
1	56042559AA	2		M, P					LAMP, Courtesy, Under dash
2	1BC77BD1AA	1	J, T						LAMP, Cargo
		1	J, U						
3	05093414AA	1	J, T						LENS, Dome Lamp
		1	J, U						Cargo Lamp
		1	J, U						Cargo Lamp
-4	04437661	3	J, T						LAMP, Message Center
		3	J, U						
-5	05012882AA	1	J, T						LENS, Message Center
		1	J, U						
6	5JG55BD1AB	1	J, T						LAMP, Dome
	5JG58BD1AB	1	J, T						[AHM]
		1	J, U						
7	05093413AA	1	J, T						LENS, Dome Lamp
8	56010552AB	1							LAMP, Warning, Passenger Airbag ON/OFF System
9	0WT01BD1AA	1	J, T						LAMP, Reading
		1	J, U						
	0WT06BD1AA	1	J, T						[GWA]
		1	J, U						[GWA]
10	05093415AA	1	J, T						LENS, Reading Lamp
		1	J, U						Use with 0WT01BD1AA lamp
		1	J, U						Use with 0WT01BD1AA lamp
11									LENS, Dome Lamp

LIBERTY (KJ)

SERIES LINE  
H = HIGHLINE T = JEEP - 2WD  
M = MEDIUM J = JEEP - 4WD  
P = PREMIUM U = JEEP - 4WD (RHD)

BODY  
74 = SPORT UTILITY 4-DR

ENGINE TRANSMISSION  
EKG = 3.7L V6 Engine DG6 = 4-Spd. Automatic 42RLE  
ENR = 2.8L 4 Cyl Turbo Diesel Transmission  
Engine DGV = 4-Spd. Automatic VLP  
ENJ = 2.5L 4 Cyl 16V Turbo Transmission  
Diesel Engine DGQ = 5-Spd Automatic 5-45RFE  
ED1 = 2.4L 4 Cyl DOHC 16v Transmission  
SMPI Engine DEH = 6-Speed Manual NSG370  
Transmission  
DDD = 5-Speed HD Manual  
Transmission  
DDK = 5-Speed HD Manual  
Transmission

AR = use ase required - = Non illustrated part

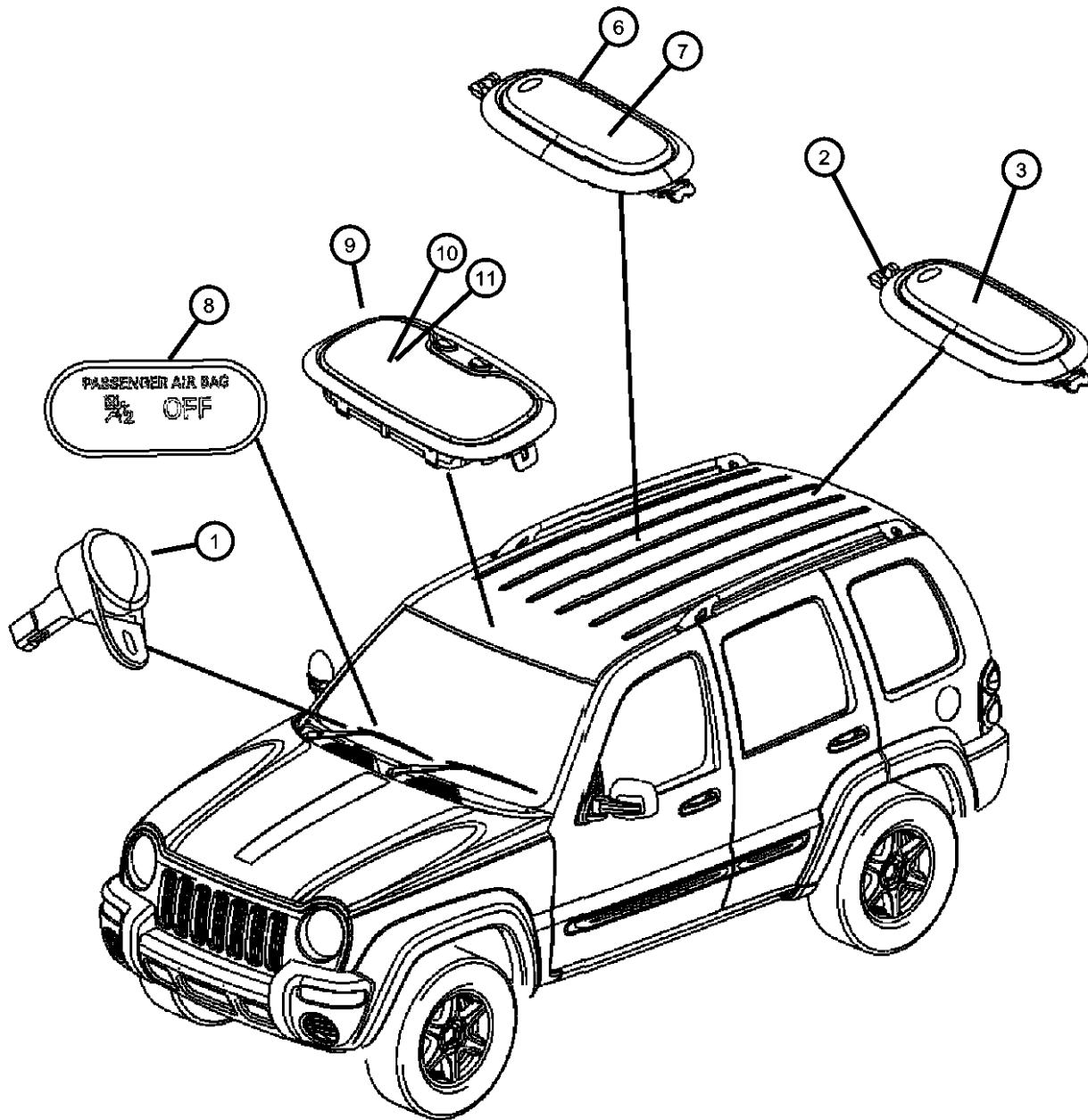
2006 KJ



Lamp, Courtesy  
Figure 8-1120

ITEM	PART NUMBER	QTY	LINE	SERIES	BODY	ENGINE	TRANS	TRIM	DESCRIPTION
------	-------------	-----	------	--------	------	--------	-------	------	-------------

	05093522AA	1	J, U						Use with 0WT06BD1AA
		1	J, T						Use with 0WT06BD1AA



LIBERTY (KJ)

SERIES	LINE
H = HIGHLINE	T = JEEP - 2WD
M = MEDIUM	J = JEEP - 4WD
P = PREMIUM	U = JEEP - 4WD (RHD)

BODY
74 = SPORT UTILITY 4-DR

ENGINE	TRANSMISSION
EKG = 3.7L V6 Engine	DG6 = 4-Spd. Automatic 42RLE
ENR = 2.8L 4 Cyl Turbo Diesel Engine	DGV = 4-Spd. Automatic VLP
ENJ = 2.5L 4 Cyl 16V Turbo Diesel Engine	DGQ = 5-Spd Automatic 5-45RFE
ED1 = 2.4L 4 Cyl DOHC 16v SMPI Engine	DEH = 6-Speed Manual NSG370
	DDD = 5-Speed HD Manual
	DDK = 5-Speed HD Manual

AR = use ase required - = Non illustrated part

2006 KJ

**Bulbs**  
**Figure 8-1125**

**LAMPS/LIGHTING - EXTERIOR**

BULB APPLICATION TABLE	
LAMP	BULB
BACKUP	3157 P277W (1)
BRAKE	3157 P277W (1)
CENTER HIGH MOUNTED STOP	921/W16W (2)
FRONT FOG (FASCIA MOUNTED)	H3/55W (3)
FRONT FOG (GRILLE MOUNTED)	9145/H10 (4)
FRONT PARK/TURN	3157 P277W (1)
FRONT POSITION	W5W (5)
FRONT SIDE MARKER	168 (6)
HEADLAMP (NORTH AMERICA)	9007QL (7)
HEADLAMP (EXCEPT NORTH AMERICA)	H-4 W0W6 (8)
LICENSE (NORTH AMERICA)	168 (6)
LICENSE (EXCEPT NORTH AMERICA)	W5W (5)
LIGHT BAR (OFF ROAD)	9006LL (9)
REAR FOG	3157 P277W (1)
REAR PARK/TAIL	3157 P277W (1)
REAR TURN	3757A PY277W (10)
SIDE REPEATER	W5W (5)

**LAMPS/LIGHTING - INTERIOR**

**COURTESY LAMPS**

BULB APPLICATION TABLE	
LAMP	BULB
Cargo	578 (11)
Courtesy	906 (12)
Front Map/Reading	578 (11)
Rear Dome	578 (11)
Vanity Mirror	MOPAR 6501966 (13)

**PANEL LAMPS**

BULB APPLICATION TABLE	
LAMP	BULB
Ash Receiver	161 (14)
Cluster Illumination	103 (15)
Compass Mini-Trip Illumination	MOPAR 4437661 (16)
Heater-A/C Control Illumination	74 (17)
Transmission Range Indicator Illumination	S14V

ITEM	PART NUMBER	QTY	LINE	SERIES	BODY	ENGINE	TRANS	TRIM	DESCRIPTION
------	-------------	-----	------	--------	------	--------	-------	------	-------------

93Notes:

[ED0] = 2.4L 4 Cylinder Engine  
[EK0] = 3.7L V6 Cylinder Engine  
[DG0] = All Automatic Transmissions

1	L0003157	2							BULB, 3157
2	L000921E	1							BULB, 921
3	L00H355W	1		M					BULB, Fog Lamp, H-3 55 WATT
4	L0009145	2	J	H, P		ED0, EK0			BULB, Fog Lamp, 50 Watt
		2	J	H, P		EN0			
		2	U	H, P		ED0, EK0			
		2	U	H, P		EN0			
5	L002825W5W	1							BULB, W10/5
6	L0000168	1							BULB, 168
7	L0009007QL	1	J, T	H, P					BULB, Headlamp
		1	J, T	M					
8	J3242537	1	J	H, P		ED0, EK0			BULB, H4 Clear
		1	U	H, P		ED0, EK0			
		1	J	M					
		1	U	M					
9	L0009006	1							BULB, Headlamp, Roof lamps
10	L003757A	1							BULB, 3757APY277W
11	L0000578	1	J, T						BULB, 578
		1	J, U						
12	L0000906	2		M, P					BULB, 906
13	L0000037	1	J, T						BULB, 37
		1	J, U						

**LIBERTY (KJ)**

SERIES LINE BODY  
H = HIGHLINE T = JEEP - 2WD  
M = MEDIUM J = JEEP - 4WD  
P = PREMIUM U = JEEP - 4WD (RHD)

BODY  
74 = SPORT UTILITY 4-DR

ENGINE TRANSMISSION  
EKG = 3.7L V6 Engine DG6 = 4-Spd. Automatic 42RLE  
ENR = 2.8L 4 Cyl Turbo Diesel Transmission  
Engine DGV = 4-Spd. Automatic VLP  
ENJ = 2.5L 4 Cyl 16V Turbo Transmission  
Diesel Engine DGQ = 5-Spd Automatic 5-45RFE  
ED1 = 2.4L 4 Cyl DOHC 16v Transmission  
SMPI Engine DEH = 6-Speed Manual NSG370  
Transmission  
DDD = 5-Speed HD Manual  
Transmission  
DDK = 5-Speed HD Manual  
Transmission

AR = use ase required - = Non illustrated part

2006 KJ

**Bulbs**  
**Figure 8-1125**

**LAMPS/LIGHTING - EXTERIOR**

BULB APPLICATION TABLE	
LAMP	BULB
BACKUP	3157 P277W (1)
BRAKE	3157 P277W (1)
CENTER HIGH MOUNTED STOP	921/W16W (2)
FRONT FOG (FASCIA MOUNTED)	H3/55W (3)
FRONT FOG (GRILLE MOUNTED)	9145/H10 (4)
FRONT PARK/TURN	3157 P277W (1)
FRONT POSITION	W5W (5)
FRONT SIDE MARKER	168 (6)
HEADLAMP (NORTH AMERICA)	9007QL (7)
HEADLAMP (EXCEPT NORTH AMERICA)	H-4 W0W6 (8)
LICENSE (NORTH AMERICA)	168 (6)
LICENSE (EXCEPT NORTH AMERICA)	W5W (5)
LIGHT BAR (OFF ROAD)	9006LL (9)
REAR FOG	3157 P277W (1)
REAR PARK/TAIL	3157 P277W (1)
REAR TURN	3757A PY277W (10)
SIDE REPEATER	W5W (5)

**LAMPS/LIGHTING - INTERIOR**

**COURTESY LAMPS**

BULB APPLICATION TABLE	
LAMP	BULB
Cargo	578 (11)
Courtesy	906 (12)
Front Map/Reading	578 (11)
Rear Dome	578 (11)
Vanity Mirror	MOPAR 6501966 (13)

**PANEL LAMPS**

BULB APPLICATION TABLE	
LAMP	BULB
Ash Receiver	161 (14)
Cluster Illumination	103 (15)
Compass Mini-Trip Illumination	MOPAR 4437661 (16)
Heater-A/C Control Illumination	74 (17)
Transmission Range Indicator Illumination	S14V

ITEM	PART NUMBER	QTY	LINE	SERIES	BODY	ENGINE	TRANS	TRIM	DESCRIPTION
14		1							BULB, 161, (NOT SERVICED)
15	04839738AA	9				ENO			BULB AND SOCKET Cluster
16									LAMP, Message Center
	04437661	3	J, T						
		3	J, U						
17	05069170AA	1							BULB, Heater and A/C Control
-18	L0003893	2							BULB, T8/4
-19									BULB, 192
	L0000192	2	J, T						
		2	J, U						
-20									BULB, 212-2
	L0021202	2	J, T						
		2	J, U						

**LIBERTY (KJ)**

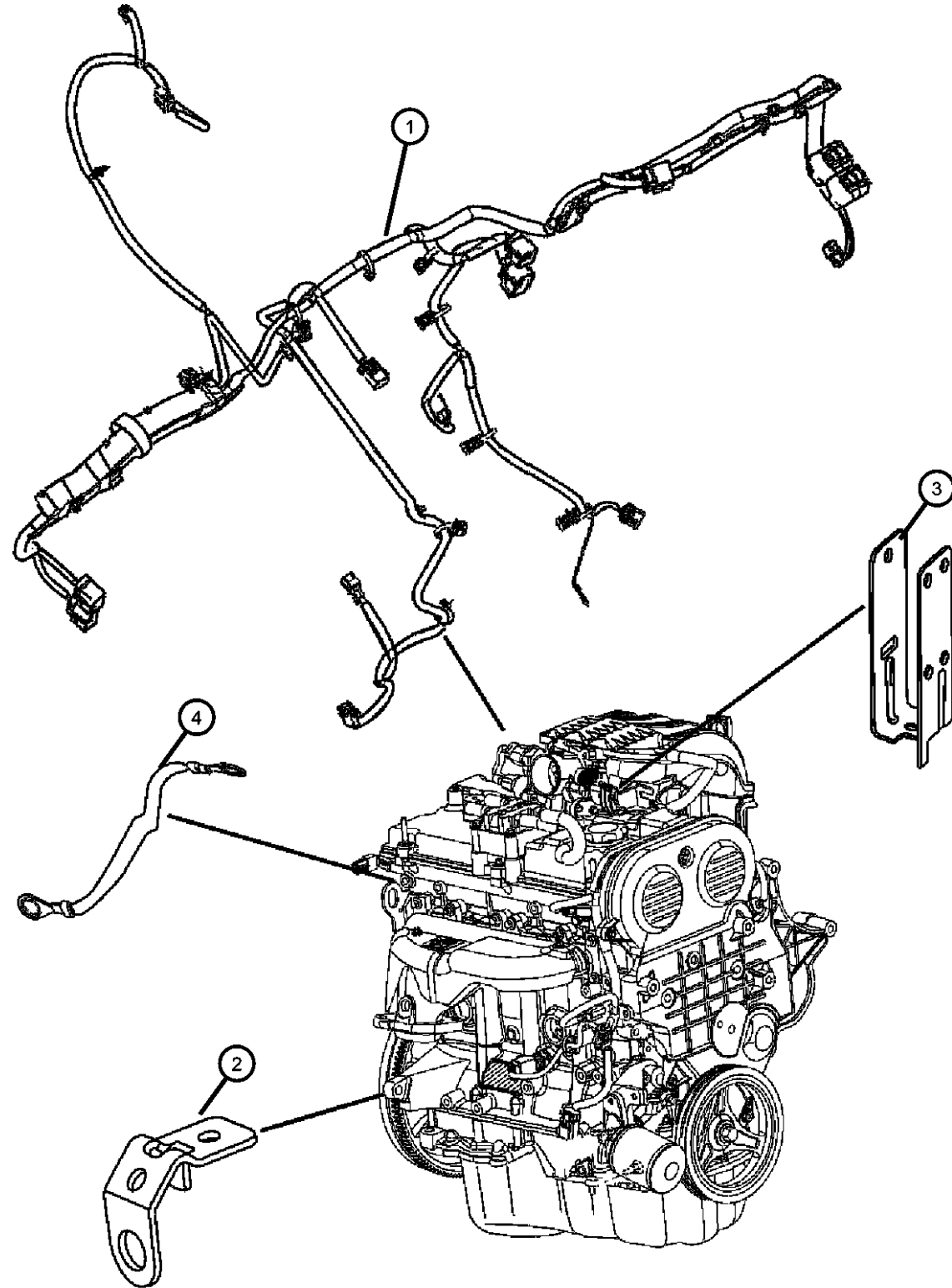
SERIES      LINE  
H = HIGHLINE    T = JEEP - 2WD  
M = MEDIUM      J = JEEP - 4WD  
P = PREMIUM      U = JEEP - 4WD (RHD)

BODY  
74 = SPORT UTILITY 4-DR

ENGINE      TRANSMISSION  
EKG = 3.7L V6 Engine      DG6 = 4-Spd. Automatic 42RLE  
ENR = 2.8L 4 Cyl Turbo Diesel Engine      DGQ = 5-Spd Automatic 5-45RFE  
ENJ = 2.5L 4 Cyl 16V Turbo Diesel Engine      DGV = 4-Spd. Automatic VLP  
ED1 = 2.4L 4 Cyl DOHC 16v SMPI Engine      DEH = 6-Speed Manual NSG370  
Transmission  
DDD = 5-Speed HD Manual Transmission  
DDK = 5-Speed HD Manual Transmission

AR = use ase required - = Non illustrated part

**Wiring, Engine and Related Parts 4 Cylinder  
Figure 8-1205**



ITEM	PART NUMBER	QTY	LINE	SERIES	BODY	ENGINE	TRANS	TRIM	DESCRIPTION
1									WIRING, Engine
	56050448AG	1	J, T			EN0	DG0		
	56050449AG	1	J, T			EN0	DBB		
	56050450AG	1	U			EN0	DG0		
	56050451AG	1	U			EN0	DBB		
2	56041379AA	2				EN0			CLIP, Housing
3									BRACKET, Wiring
	04801326AA	1				EN0			
	56010275AB	1	U						
	56010291AB	1	J, T						
4	56038750AB	1							STRAP, Ground

**LIBERTY (KJ)**

SERIES	LINE
H = HIGHLINE	T = JEEP - 2WD
M = MEDIUM	J = JEEP - 4WD
P = PREMIUM	U = JEEP - 4WD (RHD)

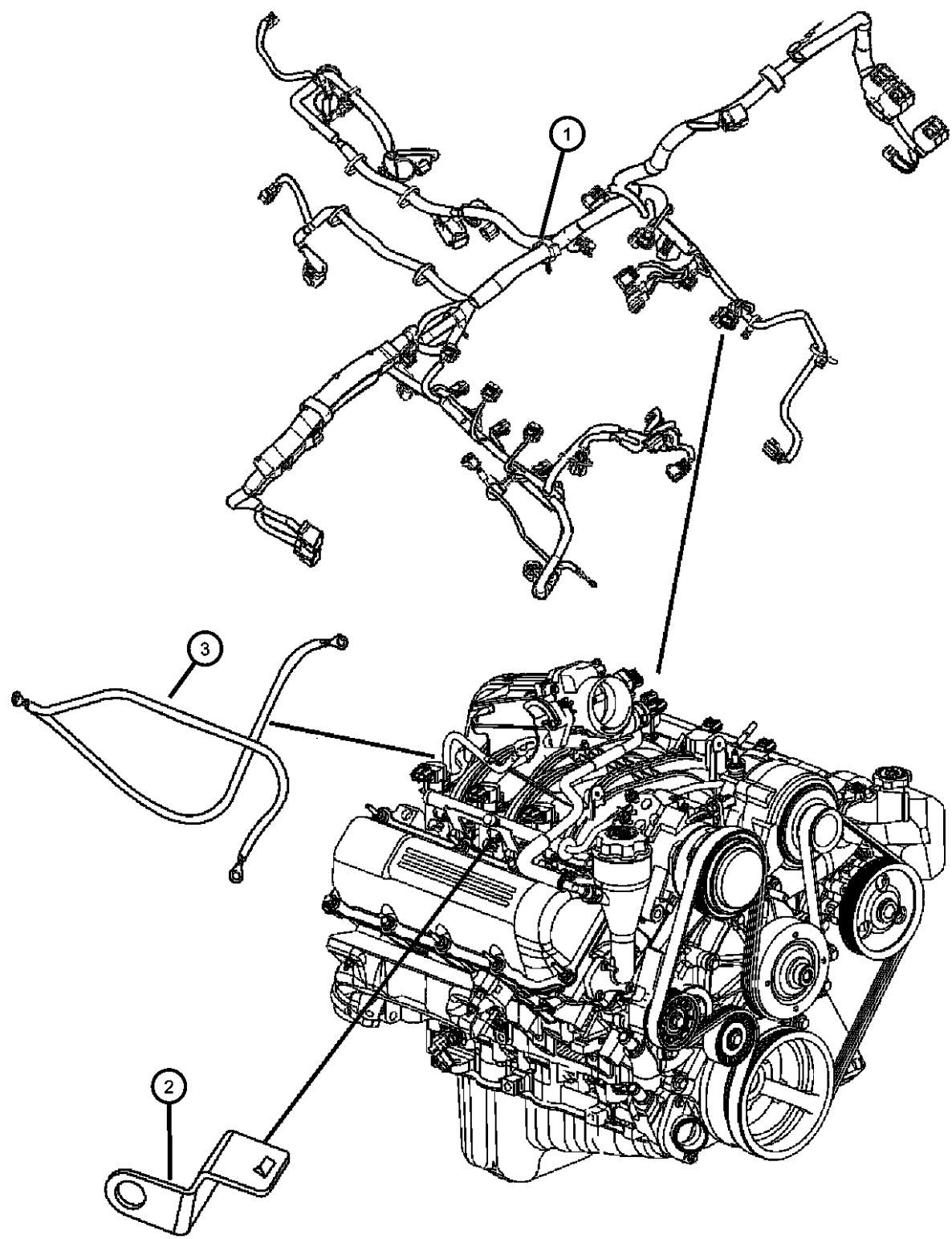
BODY
74 = SPORT UTILITY 4-DR

ENGINE	TRANSMISSION
EKG = 3.7L V6 Engine	DG6 = 4-Spd. Automatic 42RLE
ENR = 2.8L 4 Cyl Turbo Diesel Engine	Transmission
ENJ = 2.5L 4 Cyl 16V Turbo Diesel Engine	DGV = 4-Spd. Automatic VLP
ED1 = 2.4L 4 Cyl DOHC 16v SMPI Engine	Transmission
	DGQ = 5-Spd Automatic 5-45RFE
	Transmission
	DEH = 6-Speed Manual NSG370
	Transmission
	DDD = 5-Speed HD Manual
	Transmission
	DDK = 5-Speed HD Manual
	Transmission

AR = use ase required - = Non illustrated part

2006 KJ

**Wiring, Engine and Related Parts 6 cylinder  
Figure 8-1210**



ITEM	PART NUMBER	QTY	LINE	SERIES	BODY	ENGINE	TRANS	TRIM	DESCRIPTION
1									WIRING, Engine
	04801258AB	1	J			EK0	DG0		
		1	J			EK0	DGV		
	04801259AB	1	T			EK0	DG0		
		1	T			EK0	DGV		
	04801261AB	1	J			EK0	DBB		
	04801263AB	1	J			EK0	DG0		[BNB]
		1	J			EK0	DGV		[BNB]
	04801264AB	1	U			EK0	DG0		[BNB]
		1	U			EK0	DGV		[BNB]
	04801265AB	1	T			EK0	DG0		[BNB]
		1	T			EK0	DGV		[BNB]
	04801266AB	1	J			EK0	DBB		[BNB]
	04801267AB	1	T			EK0	DBB		[BNB]
	04801433AA	1	U			EK0	DG6		
	04801434AA	1	J			EK0	DG6		[BNB]
	04801435AA	1	U			EK0	DG6		[BNB]
	04801436AA	1	T			EK0	DG6		[BNB]
2	56050308AA	1				EK0			BRACKET, Wiring Harness
3	56038750AB	1							STRAP, Ground, Hood to Fender

**LIBERTY (KJ)**

SERIES      LINE  
H = HIGHLINE    T = JEEP - 2WD  
M = MEDIUM     J = JEEP - 4WD  
P = PREMIUM    U = JEEP - 4WD (RHD)

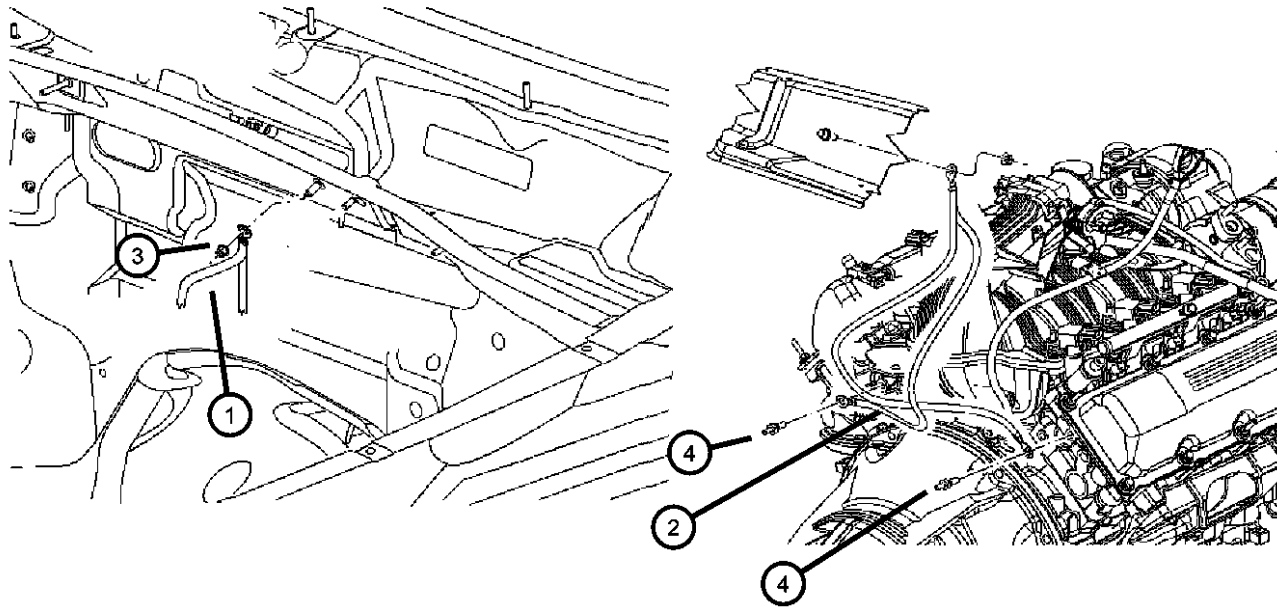
BODY  
74 = SPORT UTILITY 4-DR

ENGINE      TRANSMISSION  
EKG = 3.7L V6 Engine      DG6 = 4-Spd. Automatic 42RLE  
ENR = 2.8L 4 Cyl Turbo Diesel Engine      DGV = 4-Spd. Automatic VLP  
ENJ = 2.5L 4 Cyl 16V Turbo Diesel Engine      DGQ = 5-Spd Automatic 5-45RFE  
ED1 = 2.4L 4 Cyl DOHC 16v SMPI Engine      DEH = 6-Speed Manual NSG370  
Transmission  
DDD = 5-Speed HD Manual Transmission  
DDK = 5-Speed HD Manual Transmission

AR = use ase required - = Non illustrated part

**Ground Straps  
Figure 8-1215**

ITEM	PART NUMBER	QTY	LINE	SERIES	BODY	ENGINE	TRANS	TRIM	DESCRIPTION
1	56038750AB	1							STRAP, Ground, Hood to fender
2	56038554AB	1				EK0			STRAP, GroundEngine
3	06101802	1							NUT
4	06101802	1							STUD, Double Ended, CONE.WASH.HEADER.PT M8X1.25X39.3, (NOT SERVICED)



**LIBERTY (KJ)**

SERIES      LINE  
H = HIGHLINE    T = JEEP - 2WD  
M = MEDIUM     J = JEEP - 4WD  
P = PREMIUM    U = JEEP - 4WD (RHD)

BODY  
74 = SPORT UTILITY 4-DR

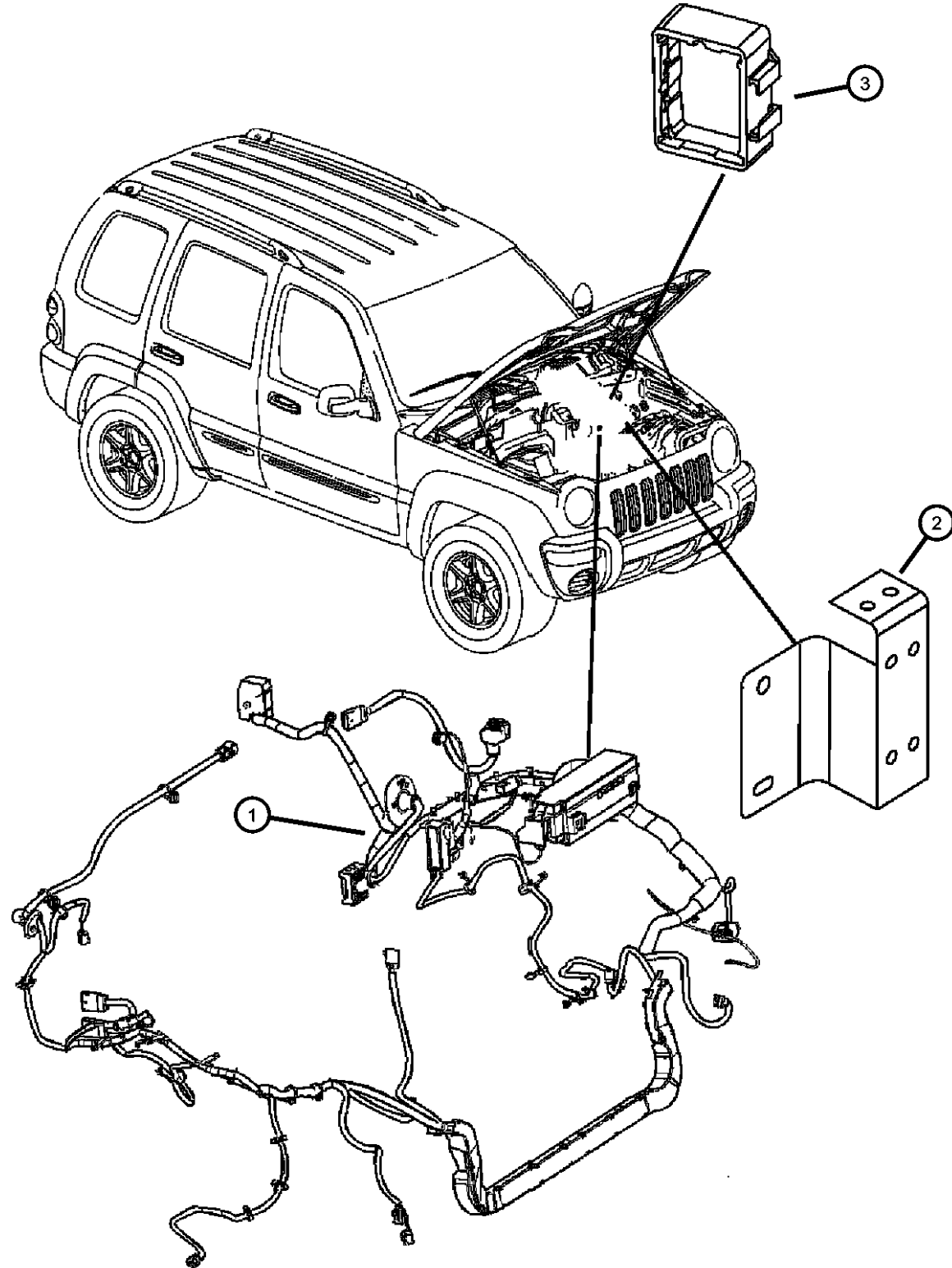
ENGINE      TRANSMISSION  
EKG = 3.7L V6 Engine      DG6 = 4-Spd. Automatic 42RLE  
ENR = 2.8L 4 Cyl Turbo Diesel      Transmission  
Engine      DGV = 4-Spd. Automatic VLP  
ENJ = 2.5L 4 Cyl 16V Turbo      Transmission  
Diesel Engine      DGQ = 5-Spd Automatic 5-45RFE  
ED1 = 2.4L 4 Cyl DOHC 16v      Transmission  
SMPI Engine      DEH = 6-Speed Manual NSG370  
Transmission  
DDD = 5-Speed HD Manual  
Transmission  
DDK = 5-Speed HD Manual  
Transmission

AR = use ase required - = Non illustrated part

**Wiring, Headlamp to Dash**  
**Figure 8-1305**

ITEM	PART NUMBER	QTY	LINE	SERIES	BODY	ENGINE	TRANS	TRIM	DESCRIPTION
------	-------------	-----	------	--------	------	--------	-------	------	-------------

Square Convuluted Tubing is Serviced with the Headlamp to Dash Harness Only



1	56047151AD	1	J, T			EK0	DG0		WIRING, Headlamp to Dash [LSB,LSC,BNB]
	56047153AD	1	J, T			EK0	DG0		[LSB,LSC,BNB,XGM]
	56047185AD	1	U			EK0	DG0		[BNB]
	56047175AD	1	J, T			EK0	DBB		[BNB]
	56047177AD	1	J, T			EK0	DBB		[BNB,XGM]
	56047192AD	1	J, T			EN0	DBB		[BNB]
	56047190AD	1	U			EK0	DG0		[BNB,XGM]
	56047191AD	1	U			EN0	DBB		[BNB]
	56047195AD	1	J, T			EN0	DG0		[BNB,XGM]
	56047193AD	1	J, T			EN0	DBB		[BNB,XGM]
	56047194AD	1	J, T			EN0	DG0		[BNB]
	56047197AD	1	U			EN0	DBB		[BNB,XGM]
	56047196AD	1	U			EN0	DG0		[BNB]
	56047200AD	1	J, T			EK0	DG0		[BNB,XGM]
	56047198AD	1	J, T			EK0	DG0		[BNB]
	56047199AD	1	U			EN0	DG0		[BNB,XGM]
2	56010291AB	1	J, T						BRACKET, Wiring
	04801326AA	1				EN0			
	56010275AB	1	U						
3	56009948AA	1							COLLAR, Insulator
-4	68029179AA	1							TROUGH, Wiring, COVERS THE HEADLAMP AND DASH WIRING UNDER THE RADIATOR SUPPORT

**LIBERTY (KJ)**

SERIES      LINE  
H = HIGHLINE    T = JEEP - 2WD  
M = MEDIUM      J = JEEP - 4WD  
P = PREMIUM      U = JEEP - 4WD (RHD)

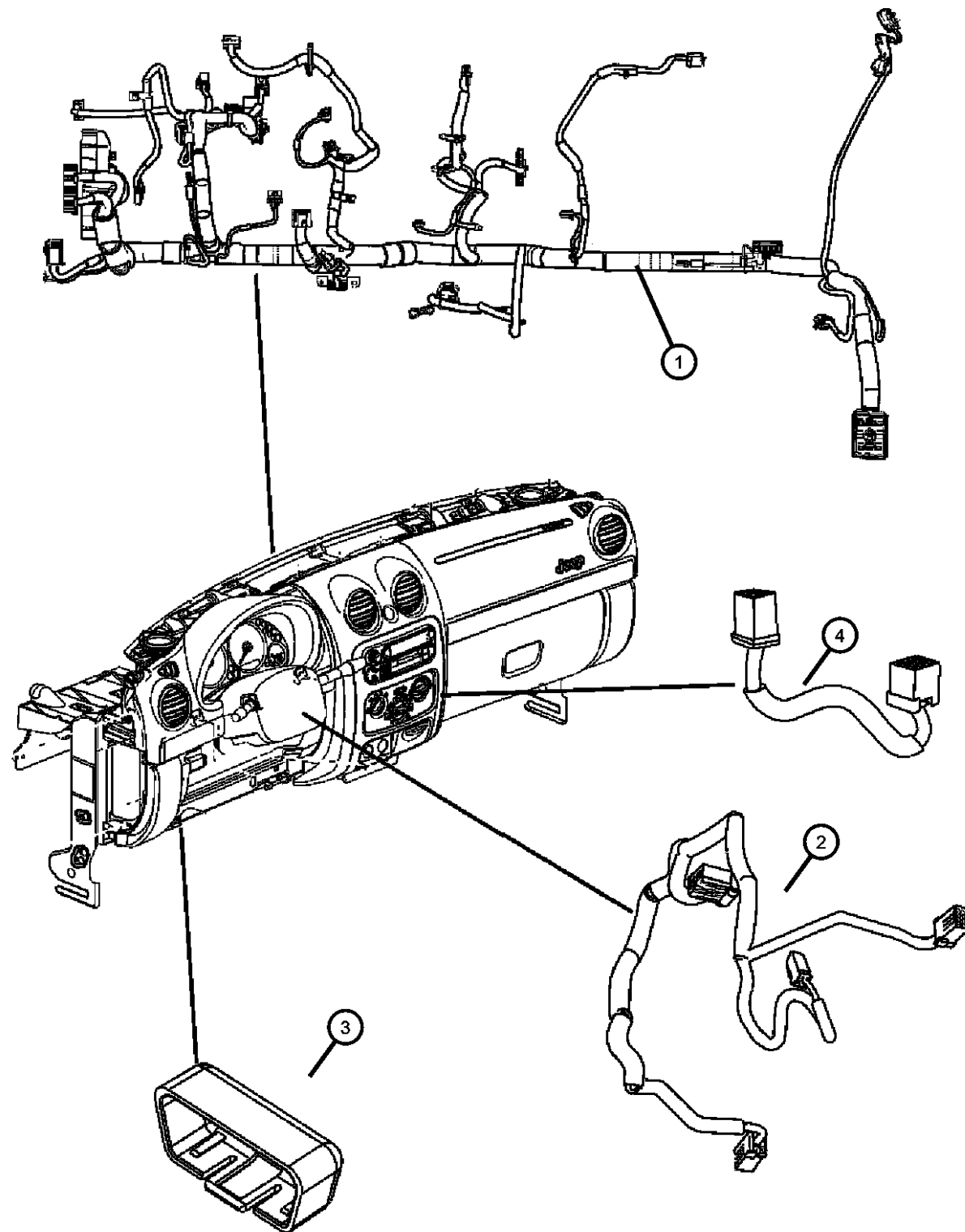
BODY  
74 = SPORT UTILITY 4-DR

ENGINE      TRANSMISSION  
EKG = 3.7L V6 Engine      DG6 = 4-Spd. Automatic 42RLE  
ENR = 2.8L 4 Cyl Turbo Diesel Engine      DGV = 4-Spd. Automatic VLP  
ENJ = 2.5L 4 Cyl 16V Turbo Diesel Engine      DGQ = 5-Spd Automatic 5-45RFE  
ED1 = 2.4L 4 Cyl DOHC 16v SMPI Engine      DEH = 6-Speed Manual NSG370  
Transmission  
DDD = 5-Speed HD Manual Transmission  
DDK = 5-Speed HD Manual Transmission

AR = use ase required - = Non illustrated part

2006 KJ

Wiring Instrument Panel  
Figure 8-1405



ITEM	PART NUMBER	QTY	LINE	SERIES	BODY	ENGINE	TRANS	TRIM	DESCRIPTION
1									WIRING, Instrument Panel
	56047389AD	1	J, T			EK0			
	56047390AD	1	J, T			EN0			[LNS]
	56047392AD	1	J, T			EK0			[BNB,LNS]
	56050839AD	1	U			EN0			
	56050840AD	1	U			EK0			
	56050841AD	1	J			EN0			
	56050842AD	1	J			EK0			
	56050843AD	1	J, T			EN0			
2									WIRING, Steering Wheel
	52029379AA	1		P					[SCG,NHM]
		1		H					[SCG,NHM]
	52029381AA	1		P					[SCG,NHM,RDZ]
	52029383AA	1							[SCD]
3	56042070	1							COVER, Wiring ProtectorExport
4	56050823AD	1							WIRING, Jumper, Hands free module

LIBERTY (KJ)

SERIES      LINE  
H = HIGHLINE    T = JEEP - 2WD  
M = MEDIUM     J = JEEP - 4WD  
P = PREMIUM     U = JEEP - 4WD (RHD)

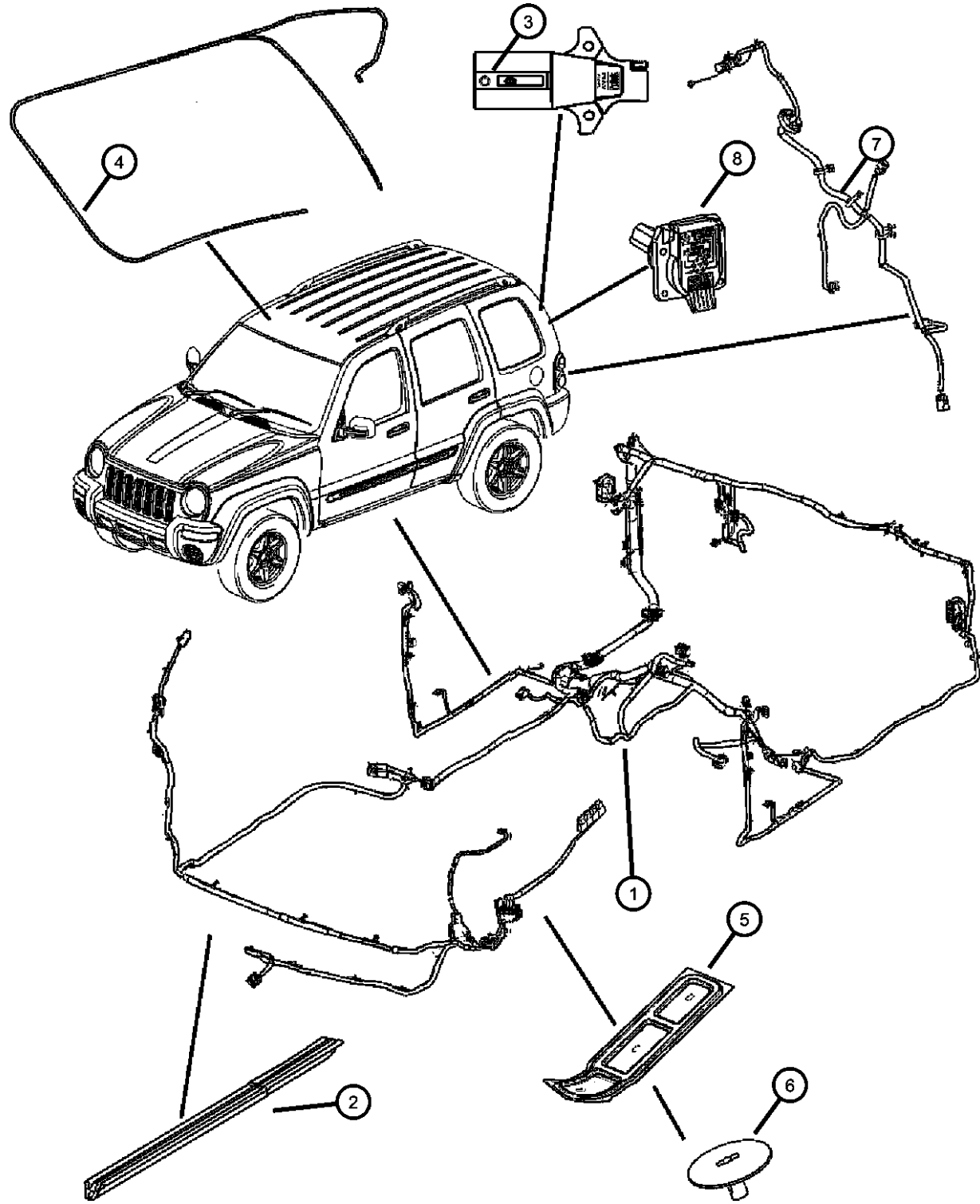
BODY  
74 = SPORT UTILITY 4-DR

ENGINE      TRANSMISSION  
EKG = 3.7L V6 Engine      DG6 = 4-Spd. Automatic 42RLE  
ENR = 2.8L 4 Cyl Turbo Diesel Engine      DGV = 4-Spd. Automatic VLP  
ENJ = 2.5L 4 Cyl 16V Turbo Diesel Engine      DGQ = 5-Spd Automatic 5-45RFE  
ED1 = 2.4L 4 Cyl DOHC 16v SMPI Engine      DEH = 6-Speed Manual NSG370  
Transmission  
DDD = 5-Speed HD Manual Transmission  
DDK = 5-Speed HD Manual Transmission

AR = use ase required - = Non illustrated part



**Wiring, Body & Accessories**  
**Figure 8-1505**



ITEM	PART NUMBER	QTY	LINE	SERIES	BODY	ENGINE	TRANS	TRIM	DESCRIPTION
------	-------------	-----	------	--------	------	--------	-------	------	-------------

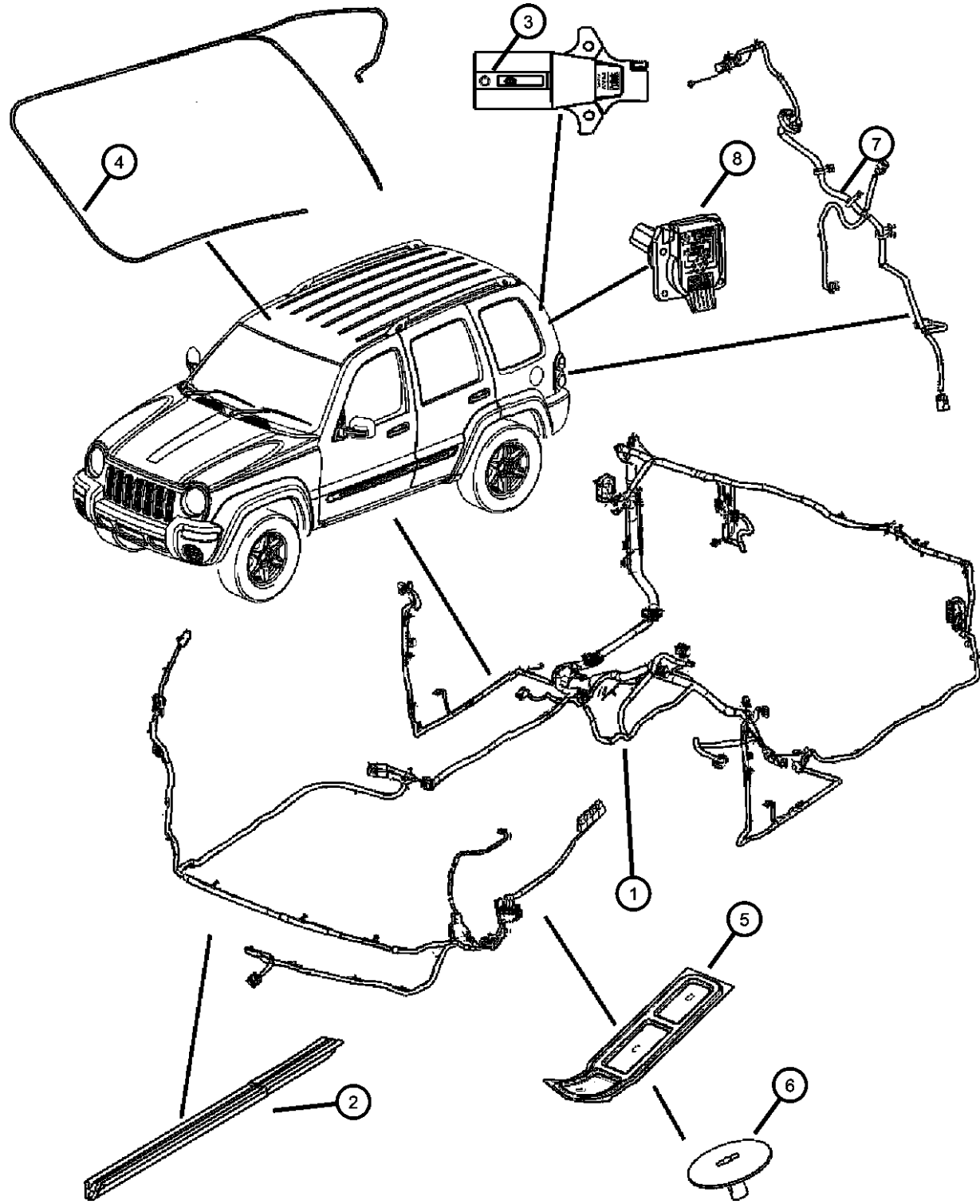
Notes:  
 [ED0] = 2.4L 4 Cylinder Engine  
 [EK0] = 3.7L V6 Cylinder Engine  
 [EN0] = 2.5L Diesel

1									WIRING, Body
	56047378AD	1	J, T						[JPT]
	56047379AD	1	J, T						[JPT,AHT]
	56047380AD	1	U						[JPM], Export
	56047381AD	1	U						Export
	56047382AD	1	U						[JPM,CGS], Export
	56047383AD	1	U						[CGS], Export
	56050844AD	1	J, T						[RCG]
	56050845AD	1	J, T						[RCG,CGS]
	56050846AD	1	J, T						[RCJ,JPS,]
		1	J, T						[RCJ,JPS,CUD,GWA]
	56050847AD	1	J, T						[AHT,GWA,CUD]
		1	J, T						[AHT]
	56050848AD	1	J, T						[CGS,JPS]
		1	J, T						[CGS,JPS,RCG,CUD]
	56050849AD	1	J, T						[CGS,AHT]
	56050850AD	1	J, T						[CGS,JPM,GWA,ABE]
		1	J						[CGS,JPM], Export
	56050851AD	1	J, T						[CGS,JPT,JPM]
	56050852AD	1	J, T						[CGS,JPT,JPM,AHT]
	56050853AD	1	J, T						[JPM,GWA,ABE,CUD]
		1	J						[JPM], Export
	56050856AD	1	J, T						[JPT,JPM]
	56050857AD	1	J, T						[JPT,JPM,AHT]
	56050860AD	1	J, T						[CGS,JPT,GWA,ABE]
		1	J						[CGS], Export
	56050861AD	1	J, T						[CGS,JPT]

<b>LIBERTY (KJ)</b>				
SERIES	LINE	BODY	ENGINE	TRANSMISSION
H = HIGHLINE	T = JEEP - 2WD	74 = SPORT UTILITY 4-DR	EKG = 3.7L V6 Engine	DG6 = 4-Spd. Automatic 42RLE
M = MEDIUM	J = JEEP - 4WD		ENR = 2.8L 4 Cyl Turbo Diesel Engine	Transmission
P = PREMIUM	U = JEEP - 4WD (RHD)		ENJ = 2.5L 4 Cyl 16V Turbo Diesel Engine	DGV = 4-Spd. Automatic VLP
			ED1 = 2.4L 4 Cyl DOHC 16v SMPI Engine	Transmission
				DGQ = 5-Spd Automatic 5-45RFE
				Transmission
				DEH = 6-Speed Manual NSG370
				Transmission
				DDD = 5-Speed HD Manual
				Transmission
				DDK = 5-Speed HD Manual
				Transmission

AR = use ase required - = Non illustrated part

**Wiring, Body & Accessories**  
**Figure 8-1505**



ITEM	PART NUMBER	QTY	LINE	SERIES	BODY	ENGINE	TRANS	TRIM	DESCRIPTION
	56050864AD	1	J, T						[CGS,JPT,AHT]
	56050865AD	1	J						Export
		1	J, T						[JPT,GWA]
2									COVER, Body Wiring
	56010044AC	2	J, T						
		1	U						
3	56019823	1							ADAPTER, Trailer Tow
4									WIRING, Overhead Console
	04760644	1	J, T						
		1	J, U						
	05166454AA	1	J, T						[GWA]
		1	J, U						[GWA]
5									COVER, Wiring Protector
	56010046AC	1							Right
	56010047AC	1							Left
6	56010354AA	4							CLIP, Floor Pan Cover Button
7									WIRING, Fuel Tank
	56047847AA	1				EN0			[BNB]
	56047848AA	1				ED0, EK0			[BNB]
		1				EK0			[BNB]
8	56038366AB	1							CONNECTOR, 7 Way, Trailer tow
-9	05101961AA	1							WIRING, Sunroof

**LIBERTY (KJ)**

SERIES      LINE  
H = HIGHLINE    T = JEEP - 2WD  
M = MEDIUM     J = JEEP - 4WD  
P = PREMIUM    U = JEEP - 4WD (RHD)

BODY  
74 = SPORT UTILITY 4-DR

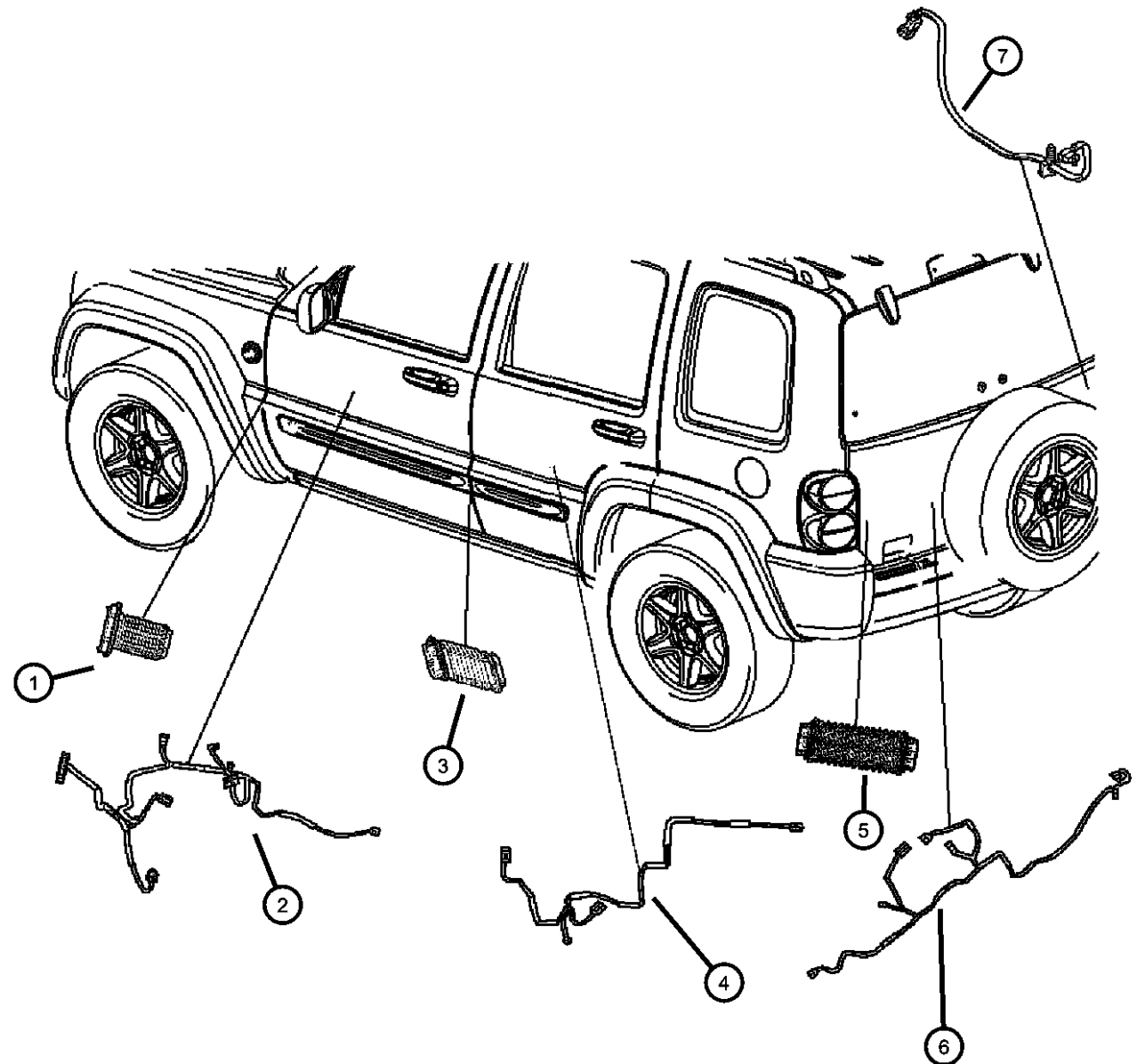
ENGINE  
EKG = 3.7L V6 Engine  
ENR = 2.8L 4 Cyl Turbo Diesel Engine  
ENJ = 2.5L 4 Cyl 16V Turbo Diesel Engine  
ED1 = 2.4L 4 Cyl DOHC 16v SMPI Engine

TRANSMISSION  
DG6 = 4-Spd. Automatic 42RLE Transmission  
DGV = 4-Spd. Automatic VLP Transmission  
DGQ = 5-Spd Automatic 5-45RFE Transmission  
DEH = 6-Speed Manual NSG370 Transmission  
DDD = 5-Speed HD Manual Transmission  
DDK = 5-Speed HD Manual Transmission

AR = use ase required - = Non illustrated part

2006 KJ

**Wiring Doors and Tail Gate**  
**Figure 8-1510**



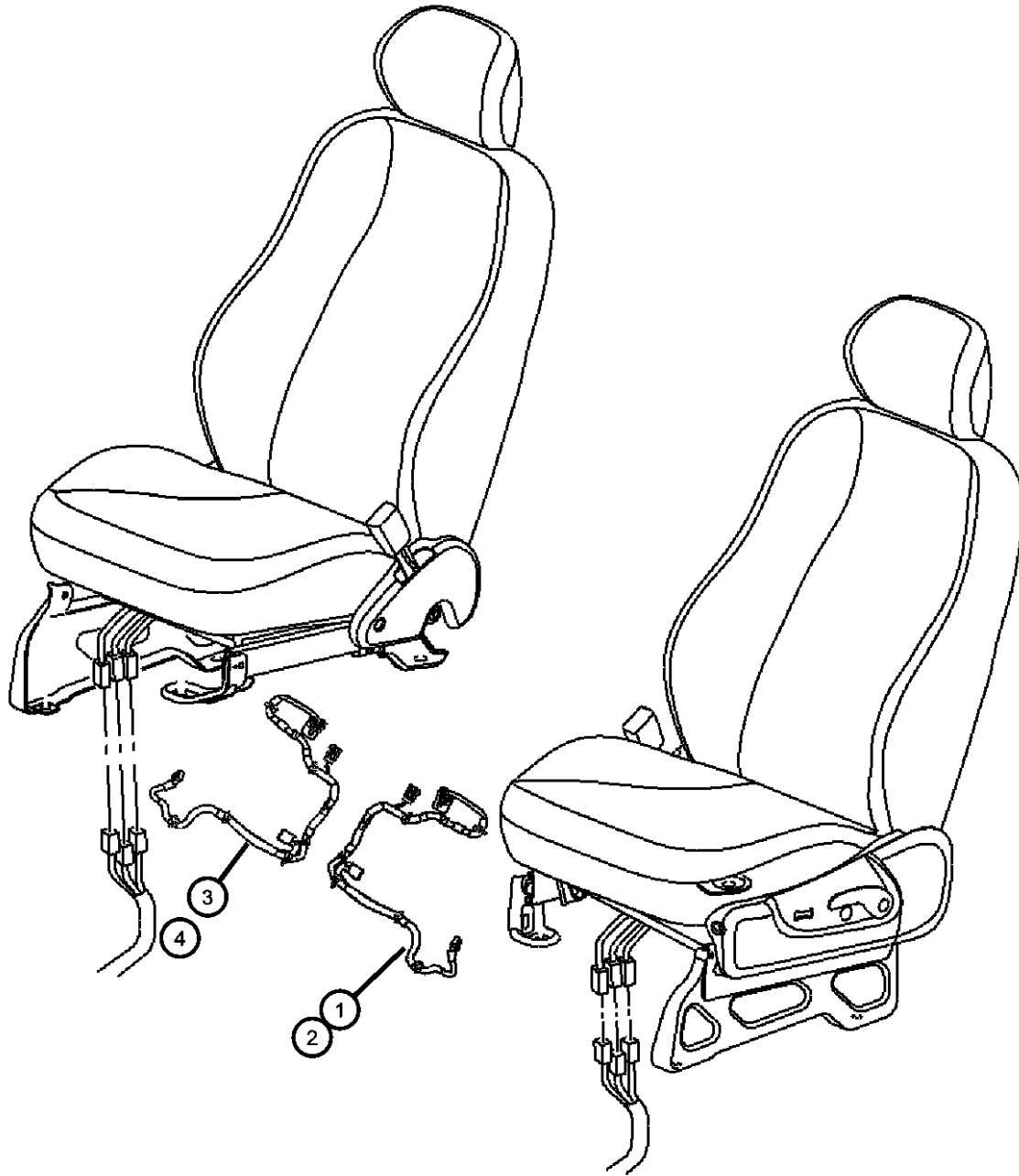
ITEM	PART NUMBER	QTY	LINE	SERIES	BODY	ENGINE	TRANS	TRIM	DESCRIPTION
1	56010326AD	2							GROMMET, Door Wiring, Front door
2									WIRING, Front Door
	56050556AC	1	J, T						[RCJ], Passenger
	56050658AC	1	J, T						[JPY], Passenger
	56050659AD	1	U						[RCJ], Driver
	56050660AE	1	U						[RCJ], Passenger
	56050669AD	1	U						[JPY,JPB,JPH,GVB], Driver
	56050670AE	1	U						[JPY,JPB,JPH,GVB], Passenger
	56050719AE	1	J, T						[JPY], Driver
	56050721AE	1	J, T						[RCJ], Driver
3	56010327AC	2							GROMMET, Door Wiring, Rear door
4	56050615AC	2							WIRING, Rear Door
5	56010328AA	1							GROMMET, Door Wiring
6									WIRING, Tailgate
	56050510AB	1	J, T						
	56050511AB	1	J, U						
7									WIRING, Power Door Lock
	05143017AA	1	J, T						Swing gate. also contains micro switch
		1	J, U						Swing gate. also contains micro switch

<b>LIBERTY (KJ)</b>				
SERIES	LINE	BODY	ENGINE	TRANSMISSION
H = HIGHLINE	T = JEEP - 2WD	74 = SPORT UTILITY 4-DR	EKG = 3.7L V6 Engine	DG6 = 4-Spd. Automatic 42RLE
M = MEDIUM	J = JEEP - 4WD		ENR = 2.8L 4 Cyl Turbo Diesel Engine	Transmission
P = PREMIUM	U = JEEP - 4WD (RHD)		ENJ = 2.5L 4 Cyl 16V Turbo Diesel Engine	DGV = 4-Spd. Automatic VLP
			ED1 = 2.4L 4 Cyl DOHC 16v SMPI Engine	Transmission
				DGQ = 5-Spd Automatic 5-45RFE
				Transmission
				DEH = 6-Speed Manual NSG370
				Transmission
				DDD = 5-Speed HD Manual
				Transmission
				DDK = 5-Speed HD Manual
				Transmission

AR = use ase required - = Non illustrated part

**Wiring Seats  
Figure 8-1515**

ITEM	PART NUMBER	QTY	LINE	SERIES	BODY	ENGINE	TRANS	TRIM	DESCRIPTION
1	05127457AA	1	J, T						WIRING, Seat [CF5], Left
	05143053AA	1	J, T						[CF5] With Traveling Inboard Seat Buckle, Left
		1	J, U						[CF5] With Traveling Inboard Seat Buckle, Left
2	05142959AA	1	J, T						WIRING, Power Seat [CF5,JPT], Left
		1	J, U						[CF5,JPT], Left
	05143005AA	1	J, T						[CF5,JPT,JPM], Left
		1	J, U						[CF5,JPT,JPM], Left
3	05127460AA	1	J, T						WIRING, Seat [CF5] Mexico, Right
	05143052AA	1	J, T						[CF5], Right
		1	J, U						[CF5], Right
	05143082AA	1	J, T						[CF5] With Traveling Inboard Seat Belt Buckle, Right
4	05142958AA	1	J, T						WIRING, Power Seat [CF5,JPT], Right
	05143004AA	1	J, T						[CF5,JPT,JPM], Right
	05143028AA	1	J, T						[CF5,JPT], Right, Export
		1	J, U						[CF5,JPT], Right, Export
	05143034AA	1	J, T						[CF5,JPT,JPM], Right, Export
		1	J, U						[CF5,JPT,JPM], Right, Export



**LIBERTY (KJ)**

SERIES      LINE  
H = HIGHLINE    T = JEEP - 2WD  
M = MEDIUM     J = JEEP - 4WD  
P = PREMIUM    U = JEEP - 4WD (RHD)

BODY  
74 = SPORT UTILITY 4-DR

ENGINE      TRANSMISSION  
EKG = 3.7L V6 Engine      DG6 = 4-Spd. Automatic 42RLE  
ENR = 2.8L 4 Cyl Turbo Diesel      Transmission  
Engine      DGV = 4-Spd. Automatic VLP  
ENJ = 2.5L 4 Cyl 16V Turbo      Transmission  
Diesel Engine      DGQ = 5-Spd Automatic 5-45RFE  
ED1 = 2.4L 4 Cyl DOHC 16v      Transmission  
SMPI Engine      DEH = 6-Speed Manual NSG370  
Transmission  
DDD = 5-Speed HD Manual  
Transmission  
DDK = 5-Speed HD Manual  
Transmission

AR = use ase required - = Non illustrated part

2006 KJ

**Wiring, Repair Package  
Figure 8-1610**

ITEM	PART NUMBER	QTY	LINE	SERIES	BODY	ENGINE	TRANS	TRIM	DESCRIPTION
Notes: [DG4] = All Multi Speed Automatic Transmissions									
-1		1							WIRING PACKAGE, Underhood Connector Repair, For Electrical Connector Repair Information visit the World Wide Web at <a href="http://dto.vftis.com/mopar/disclaimer.asp">http://dto.vftis.com/mopar/disclaimer.asp</a> , (NOT SERVICED), CLIP, Wiring
-2	52128584AA	1	J, T						
		1	J, U						
-3	05073039AA	1	J, U						STRAP, Tie
		1	U				DG0		
	06016155	3							
-4	04687922	1							INSULATOR, 2 Way Male, License lamp

For Electrical Connector Repair Information visit the World Wide Web at

<http://dto.vftis.com/mopar/disclaimer.asp>

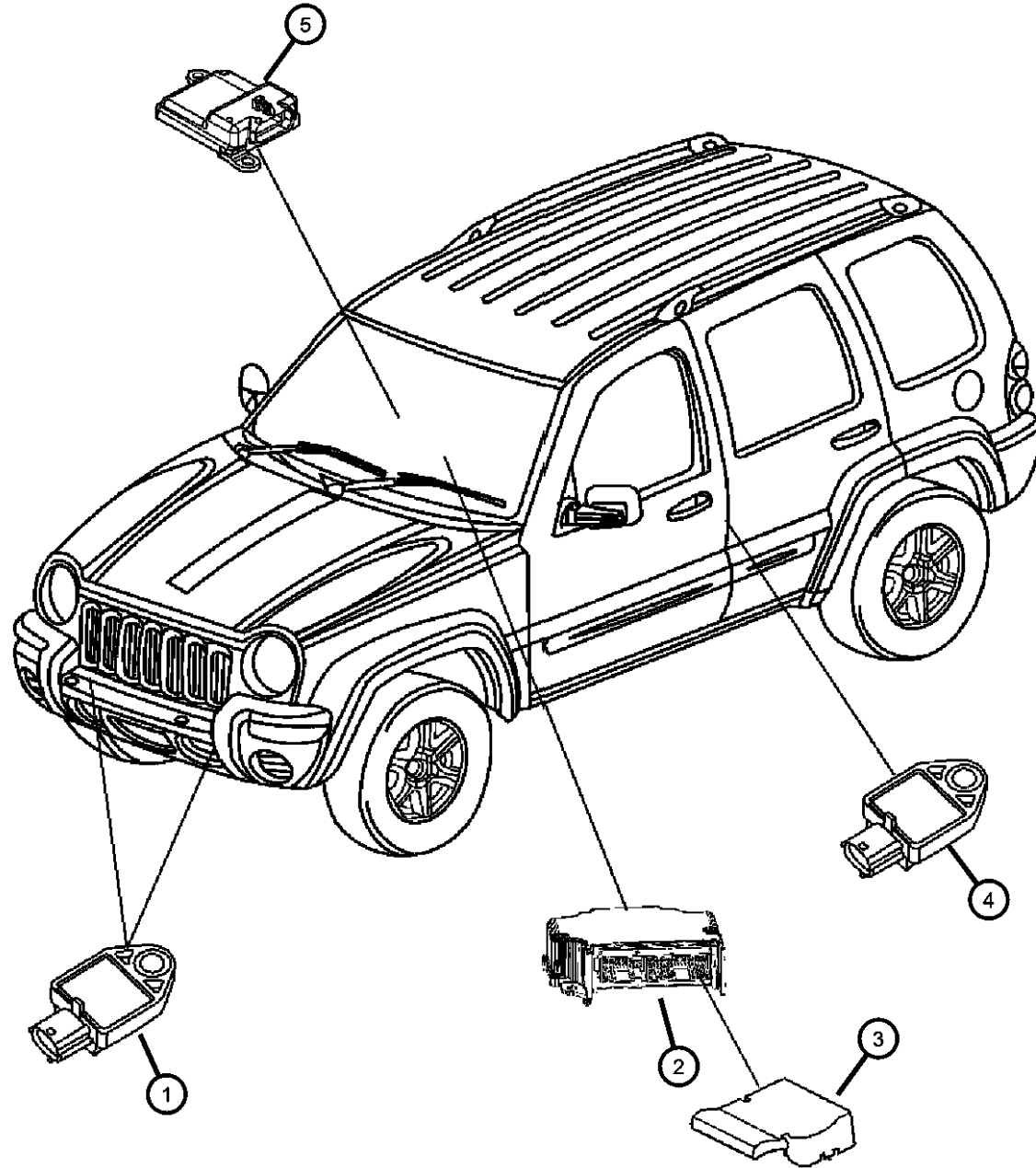
**LIBERTY (KJ)**

SERIES      LINE  
H = HIGHLINE    T = JEEP - 2WD  
M = MEDIUM     J = JEEP - 4WD  
P = PREMIUM    U = JEEP - 4WD (RHD)

BODY  
74 = SPORT UTILITY 4-DR

ENGINE      TRANSMISSION  
EKG = 3.7L V6 Engine      DG6 = 4-Spd. Automatic 42RLE  
ENR = 2.8L 4 Cyl Turbo Diesel Engine      DGV = 4-Spd. Automatic VLP  
ENJ = 2.5L 4 Cyl 16V Turbo Diesel Engine      DGQ = 5-Spd Automatic 5-45RFE  
ED1 = 2.4L 4 Cyl DOHC 16v SMPI Engine      DEH = 6-Speed Manual NSG370  
Transmission  
DDD = 5-Speed HD Manual Transmission  
DDK = 5-Speed HD Manual Transmission

**Air Bag Module and Sensors  
Figure 8-1705**



ITEM	PART NUMBER	QTY	LINE	SERIES	BODY	ENGINE	TRANS	TRIM	DESCRIPTION
1	05084000AA	2							SENSOR, Air Bag
2	04606944AC	1							MODULE, Occupant Restraint [CG1,CG3] Up to 02/10/05
	04606946AC	1							[CG1,CG3,CGS] Up to 02/10/05
	04606997AB	1							[CG1,CG3] After 02/10/05
	04606998AB	1							[CG1,CG3,CGS] After 02/10/05
	04606999AA	1							[CG1], Export
	04896005AA	1							[CG1,CGS], Export
3	56038787AB	1							COVER, Module
4	05084000AA	2							SENSOR, Air Bag
5	55352877AK	1	J, T						MODULE, Occupant Classification

**LIBERTY (KJ)**

SERIES      LINE  
H = HIGHLINE    T = JEEP - 2WD  
M = MEDIUM     J = JEEP - 4WD  
P = PREMIUM    U = JEEP - 4WD (RHD)

BODY  
74 = SPORT UTILITY 4-DR

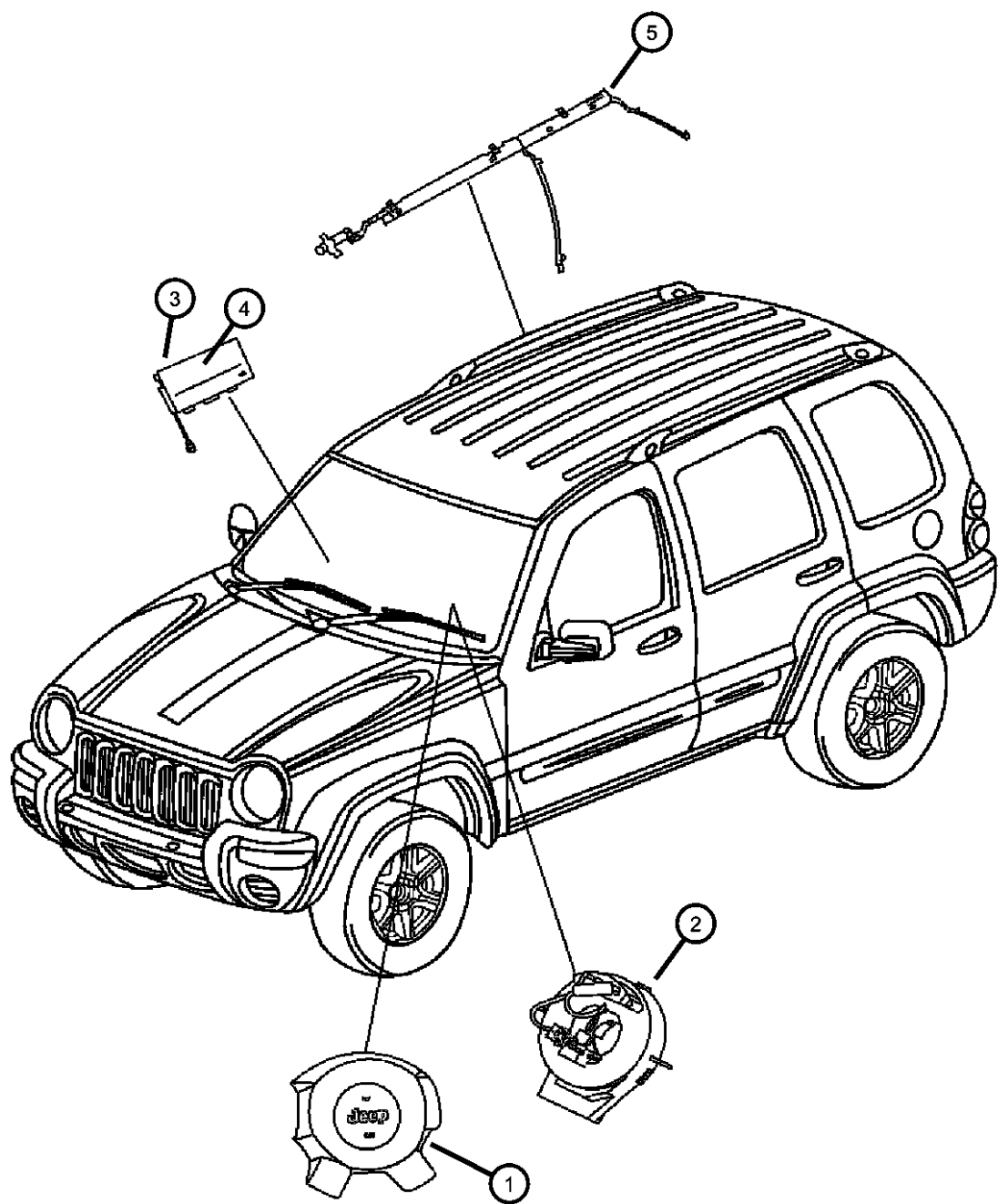
ENGINE  
EKG = 3.7L V6 Engine  
ENR = 2.8L 4 Cyl Turbo Diesel Engine  
ENJ = 2.5L 4 Cyl 16V Turbo Diesel Engine  
ED1 = 2.4L 4 Cyl DOHC 16v SMPI Engine

TRANSMISSION  
DG6 = 4-Spd. Automatic 42RLE Transmission  
DGV = 4-Spd. Automatic VLP Transmission  
DGQ = 5-Spd Automatic 5-45RFE Transmission  
DEH = 6-Speed Manual NSG370 Transmission  
DDD = 5-Speed HD Manual Transmission  
DDK = 5-Speed HD Manual Transmission

AR = use ase required - = Non illustrated part

2006 KJ

**Air Bags and Clock Spring  
Figure 8-1710**



ITEM	PART NUMBER	QTY	LINE	SERIES	BODY	ENGINE	TRANS	TRIM	DESCRIPTION
1	5JS061DHAE	1		M, P					AIR BAG, Driver [D5]
		1		M, P					[DB]
	5JS061J8AE	1		M, P					[J1]
		1		M, P					[J3]
	5JS061X9AE	1		H					
2	56010619AC	1							CLOCKSPRING [BNB]
	56044886AC	1							
3	55315103AE	1							AIR BAG, Passenger
4	0WD14XD-HAC	1	U						DOOR, Passenger Air Bag [D5]
		1	U						[DB]
	0WD14ZJ8AC	1	U						[J1]
		1	U						[J3]
	0ZE70WL8AB	1	J, T						[D5][XCA]
		1	J, T						[DB][XCA]
		1	J, T						[J1][XCA]
		1	J, T						[J3][XCA]
	5HZ98XD-HAC	1	J, T						[D5] Mexico
		1	J, T						[DB] Mexico
		1	J, T						[D5], Export
		1	J, T						[DB], Export
	5HZ98ZJ8AC	1	J, T						[J1]Mexico
	1	J, T						J3]Mexico	
	1	J, T						[J1], Export	
	1	J, T						J3], Export	
5	55315098AC	1							AIR BAG, Side Curtain Up to 07/11/05, Right

**LIBERTY (KJ)**

SERIES      LINE  
H = HIGHLINE      T = JEEP - 2WD  
M = MEDIUM      J = JEEP - 4WD  
P = PREMIUM      U = JEEP - 4WD (RHD)

BODY  
74 = SPORT UTILITY 4-DR

ENGINE  
EKG = 3.7L V6 Engine  
ENR = 2.8L 4 Cyl Turbo Diesel Engine  
ENJ = 2.5L 4 Cyl 16V Turbo Diesel Engine  
ED1 = 2.4L 4 Cyl DOHC 16v SMPI Engine

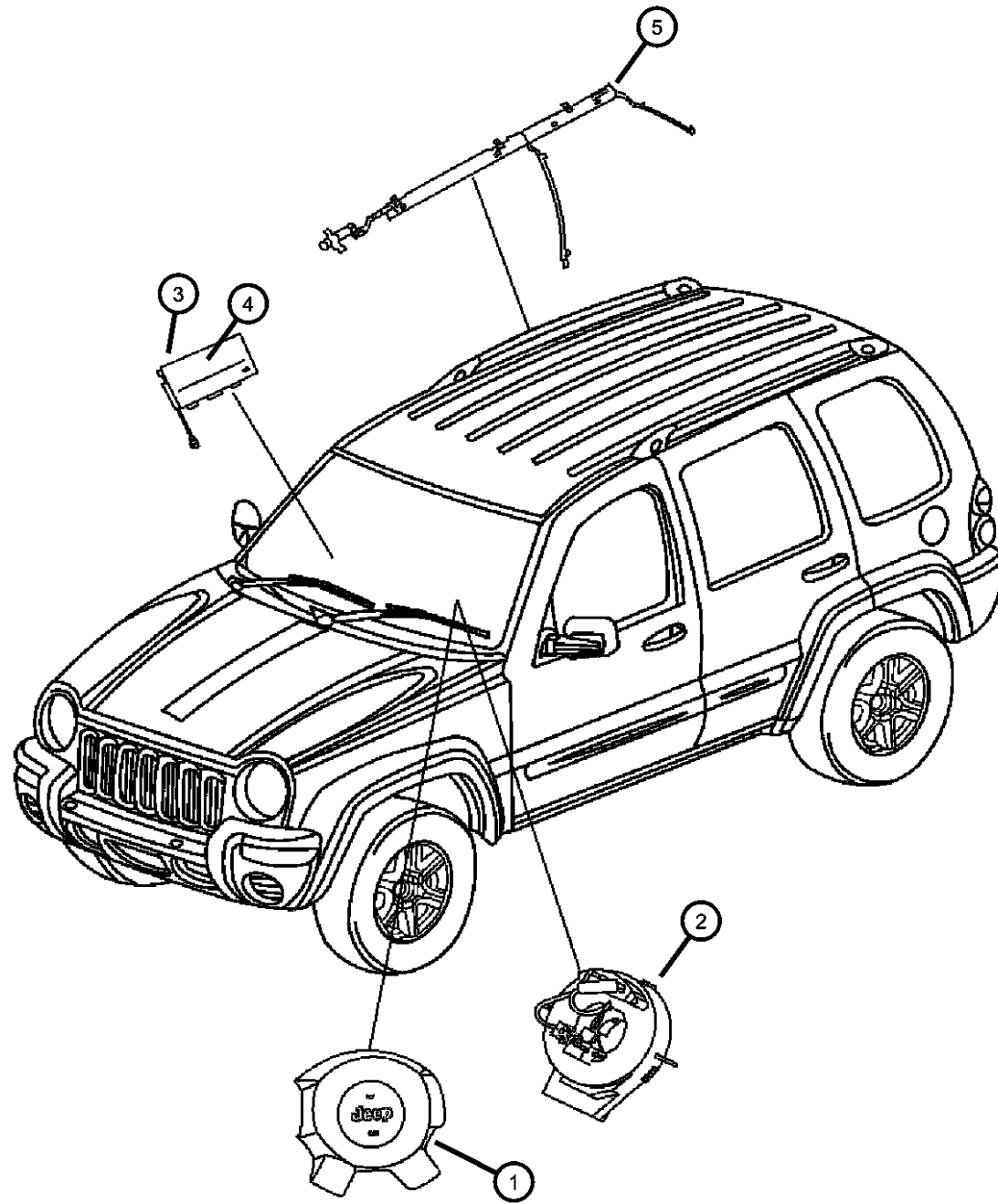
TRANSMISSION  
DG6 = 4-Spd. Automatic 42RLE Transmission  
DGV = 4-Spd. Automatic VLP Transmission  
DGJ = 5-Spd Automatic 5-45RFE Transmission  
DEH = 6-Speed Manual NSG370 Transmission  
DDD = 5-Speed HD Manual Transmission  
DDK = 5-Speed HD Manual Transmission

AR = use ase required - = Non illustrated part

**Air Bags and Clock Spring**  
**Figure 8-1710**

ITEM	PART NUMBER	QTY	LINE	SERIES	BODY	ENGINE	TRANS	TRIM	DESCRIPTION
------	-------------	-----	------	--------	------	--------	-------	------	-------------

	55315098AD	1							After 07/11/05, Right
	55315099AC	1							Up to 07/11/05, Left
	55315099AD	1							After 07/11/05, Left



**LIBERTY (KJ)**

SERIES	LINE
H = HIGHLINE	T = JEEP - 2WD
M = MEDIUM	J = JEEP - 4WD
P = PREMIUM	U = JEEP - 4WD (RHD)

BODY
74 = SPORT UTILITY 4-DR

ENGINE	TRANSMISSION
EKG = 3.7L V6 Engine	DG6 = 4-Spd. Automatic 42RLE
ENR = 2.8L 4 Cyl Turbo Diesel Engine	DGV = 4-Spd. Automatic VLP
ENJ = 2.5L 4 Cyl 16V Turbo Diesel Engine	DGQ = 5-Spd Automatic 5-45RFE
ED1 = 2.4L 4 Cyl DOHC 16v SMPI Engine	DEH = 6-Speed Manual NSG370
	DDD = 5-Speed HD Manual
	DDK = 5-Speed HD Manual

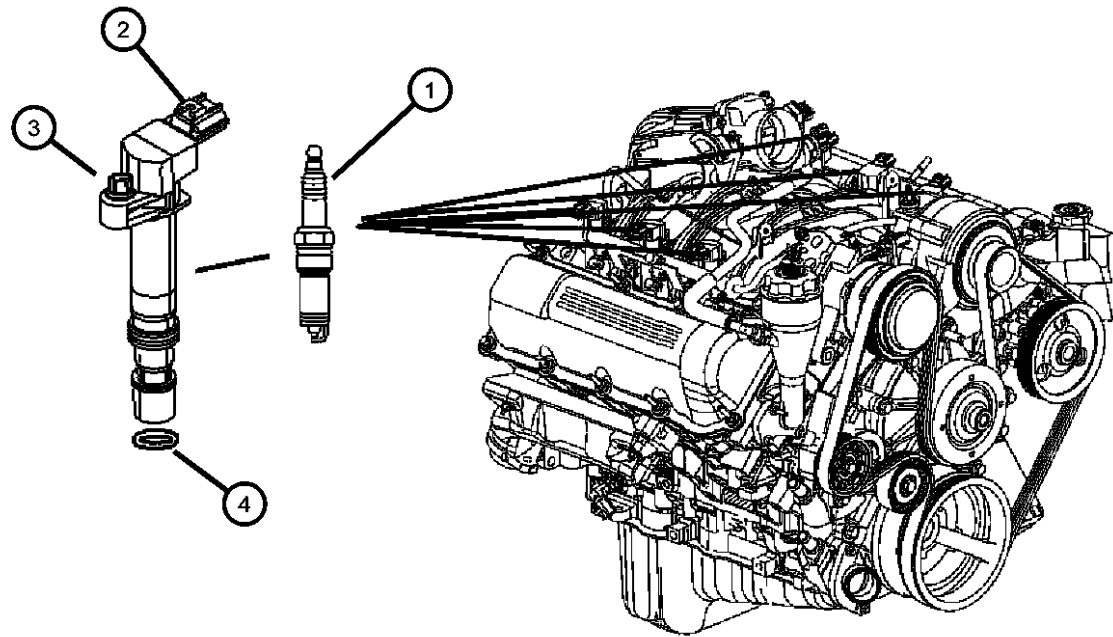
AR = use ase required - = Non illustrated part

2006 KJ



**Spark Plug - Coil  
Figure 8-1905**

ITEM	PART NUMBER	QTY	LINE	SERIES	BODY	ENGINE	TRANS	TRIM	DESCRIPTION
1	SPZFR6F11G	6				EK0			SPARK PLUG
2									COIL, Ignition
	04609103AB	1				ED0			
	56028138AF	6				EK0			
3	56028138AF	6							NUT, Coil mounting M6X1.00, (NOT SERVICED)
4	05072382AA	6				EK0			O RING, Coil



**LIBERTY (KJ)**

SERIES      LINE  
H = HIGHLINE    T = JEEP - 2WD  
M = MEDIUM     J = JEEP - 4WD  
P = PREMIUM    U = JEEP - 4WD (RHD)

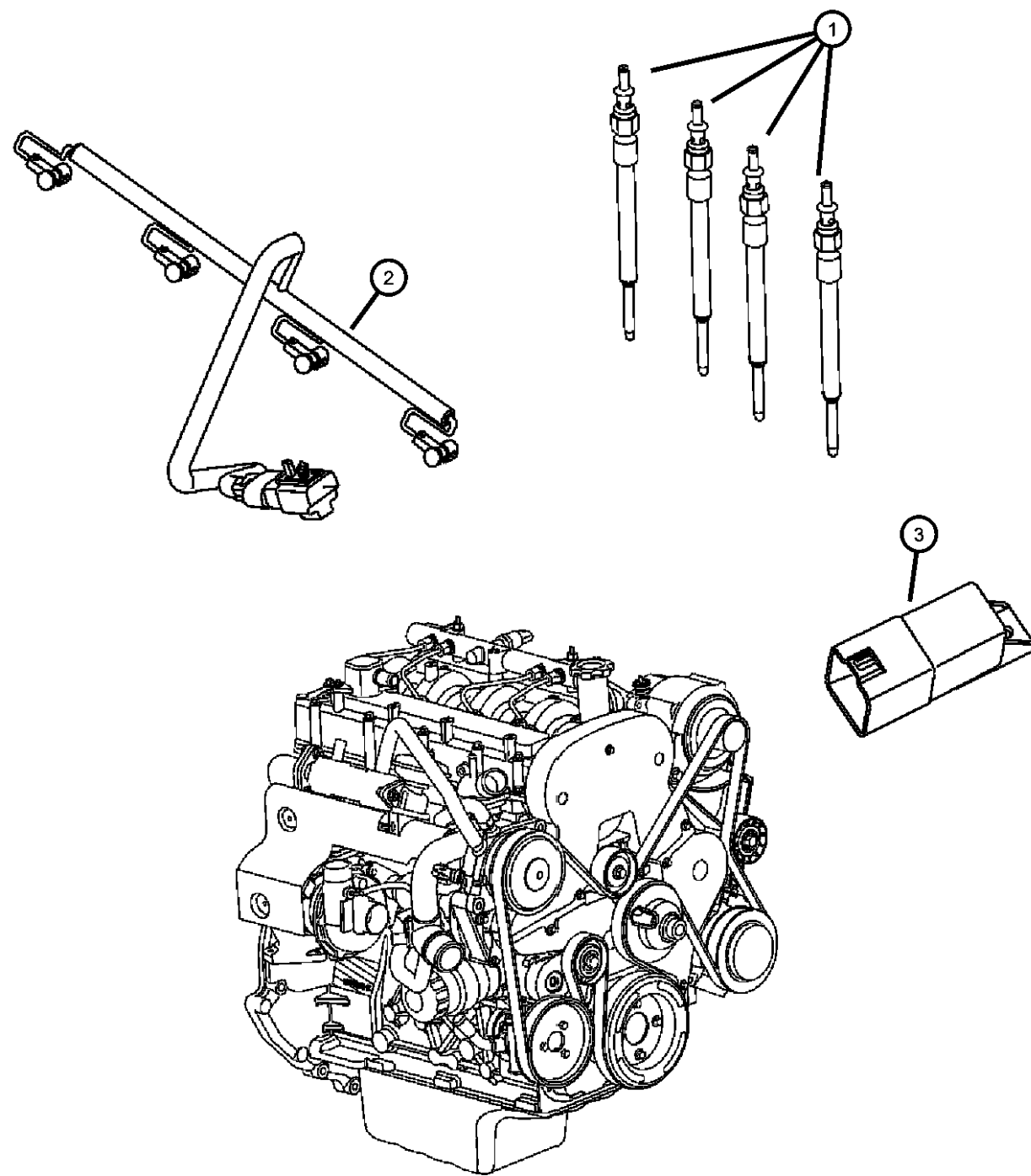
BODY  
74 = SPORT UTILITY 4-DR

ENGINE      TRANSMISSION  
EKG = 3.7L V6 Engine      DG6 = 4-Spd. Automatic 42RLE  
ENR = 2.8L 4 Cyl Turbo Diesel      Transmission  
Engine      DGV = 4-Spd. Automatic VLP  
ENJ = 2.5L 4 Cyl 16V Turbo      Transmission  
Diesel Engine      DGQ = 5-Spd Automatic 5-45RFE  
ED1 = 2.4L 4 Cyl DOHC 16v      Transmission  
SMPI Engine      DEH = 6-Speed Manual NSG370  
Transmission  
DDD = 5-Speed HD Manual  
Transmission  
DDK = 5-Speed HD Manual  
Transmission

AR = use ase required    - = Non illustrated part

2006 KJ

**Glow Plugs  
Figure 8-1910**



ITEM	PART NUMBER	QTY	LINE	SERIES	BODY	ENGINE	TRANS	TRIM	DESCRIPTION
1	05142577AA	4				EN0	DG0		PLUG, Glow
		4				EN0	DBB		
2	05142576AA	1				EN0	DG0		WIRE, Glow Plug
		1				EN0	DBB		
3	56044671AA	1				EN0			MODULE, Glow Plug

**LIBERTY (KJ)**

SERIES      LINE  
H = HIGHLINE    T = JEEP - 2WD  
M = MEDIUM     J = JEEP - 4WD  
P = PREMIUM    U = JEEP - 4WD (RHD)

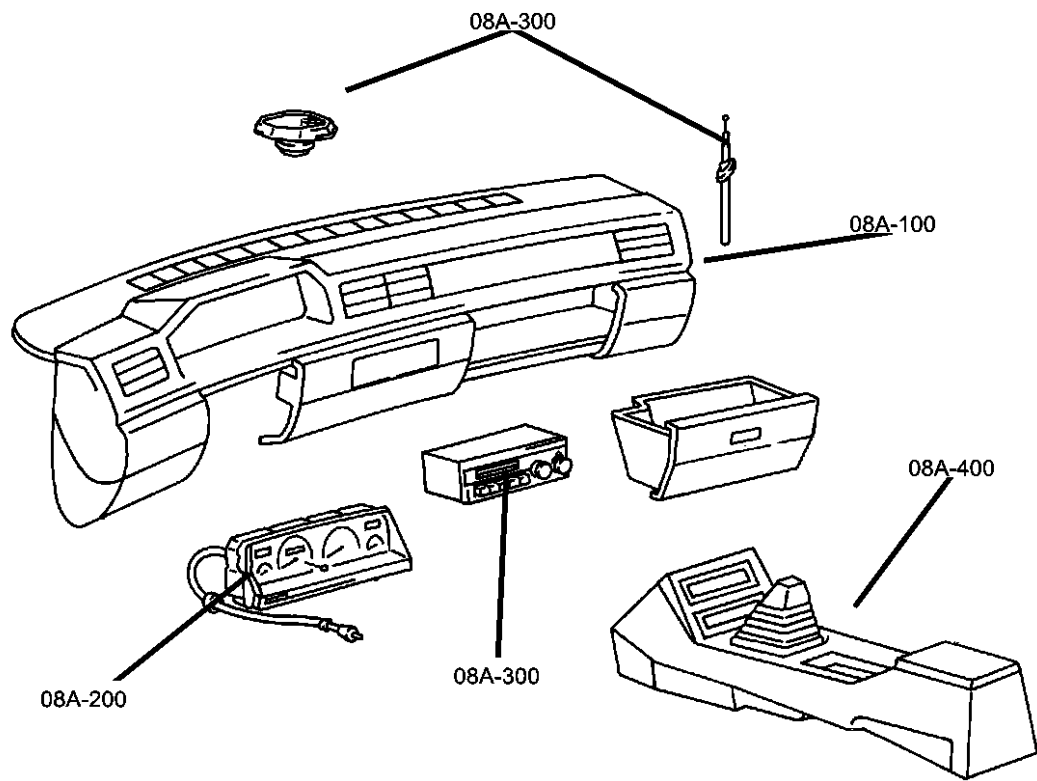
BODY  
74 = SPORT UTILITY 4-DR

ENGINE      TRANSMISSION  
EKG = 3.7L V6 Engine      DG6 = 4-Spd. Automatic 42RLE  
ENR = 2.8L 4 Cyl Turbo Diesel      Transmission  
Engine      DGV = 4-Spd. Automatic VLP  
ENJ = 2.5L 4 Cyl 16V Turbo      Transmission  
Diesel Engine      DGQ = 5-Spd Automatic 5-45RFE  
ED1 = 2.4L 4 Cyl DOHC 16v      Transmission  
SMPI Engine      DEH = 6-Speed Manual NSG370  
Transmission  
DDD = 5-Speed HD Manual  
Transmission  
DDK = 5-Speed HD Manual  
Transmission

AR = use ase required - = Non illustrated part

# Group - 08A

## Instrument Panel and Radios and Consoles



## Group - 08A Instrument Panel and Radios and Consoles

Illustration Title

Group-Fig. No.

### Instrument Panel

Instrument Panel ..... Fig. 08A - 110

### Instrument Panel Cluster

Instrument Panel Cluster ..... Fig. 08A - 210

### Radio, Antenna, and Speakers

Radios..... Fig. 08A - 310

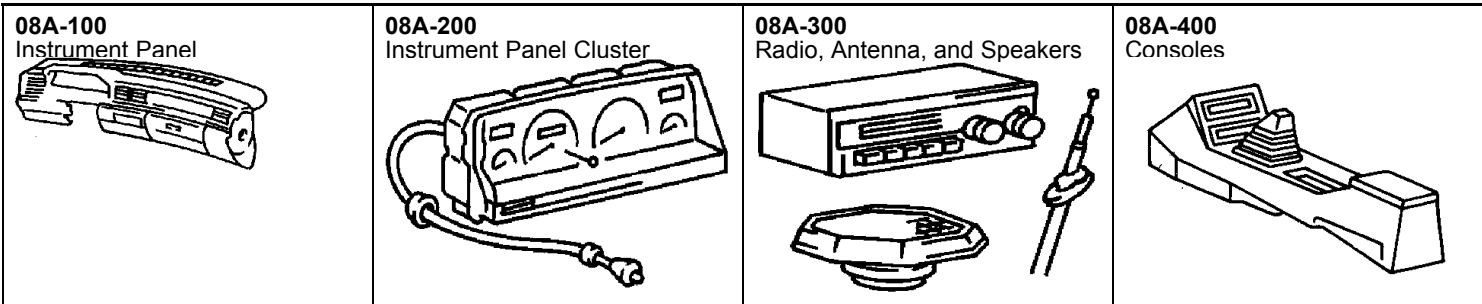
Speakers..... Fig. 08A - 320

Antenna..... Fig. 08A - 330

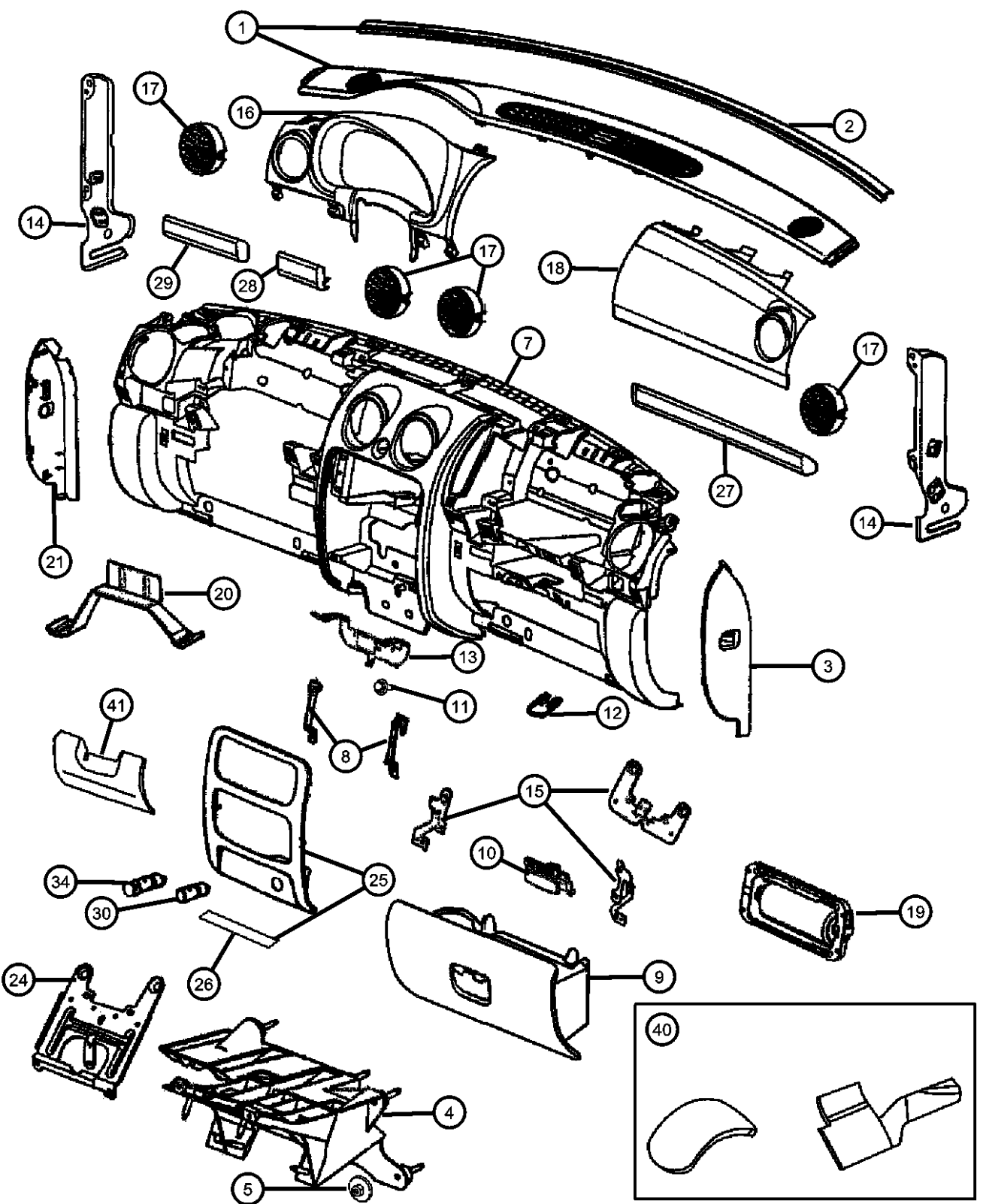
### Consoles

Console, Overhead ..... Fig. 08A - 410

Console, Floor..... Fig. 08A - 420



Instrument Panel  
Figure 08A-110

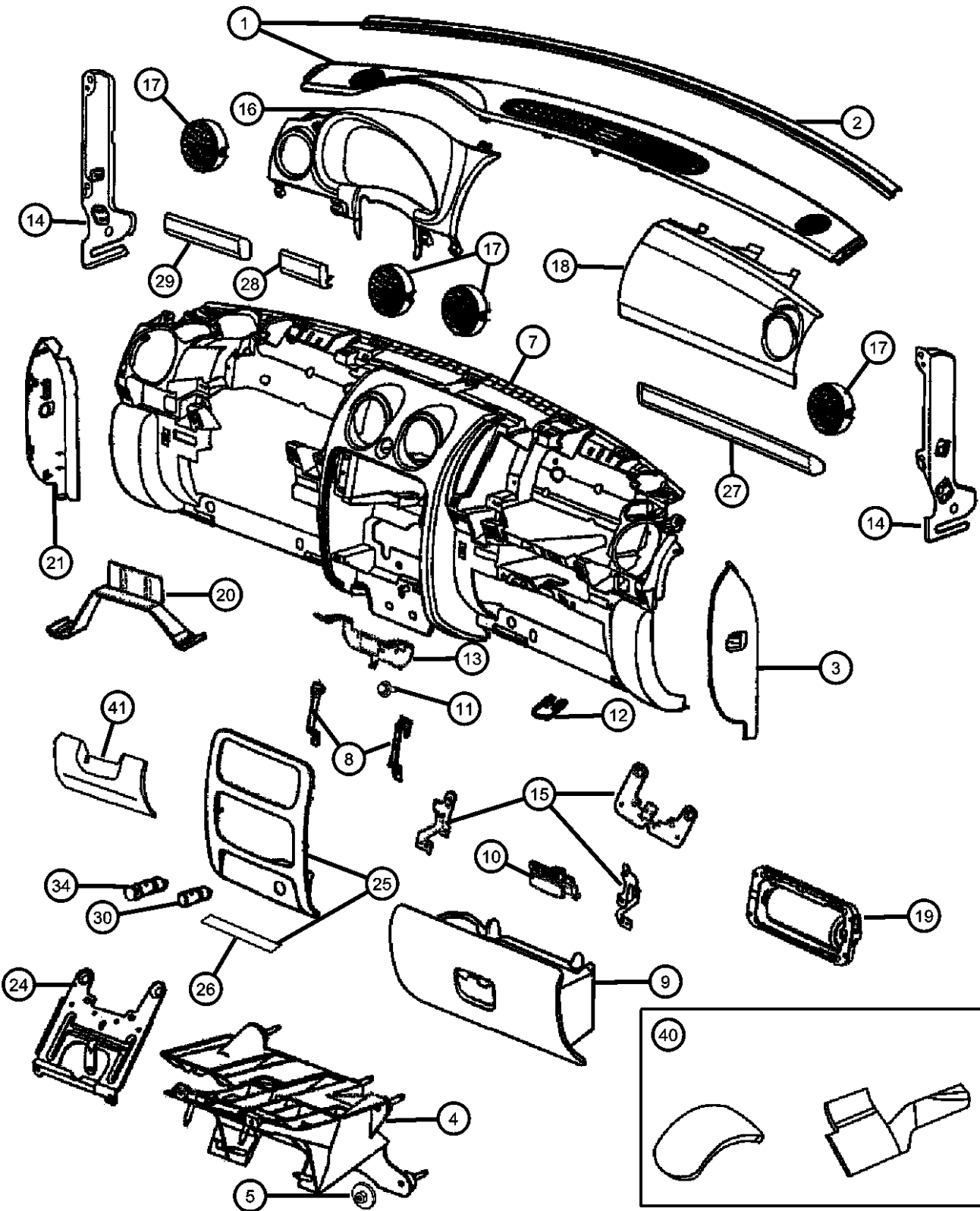


ITEM	PART NUMBER	QTY	LINE	SERIES	BODY	ENGINE	TRANS	TRIM	DESCRIPTION
1	5GD54XD-HAE	1	J, T						COVER, Instrument Panel [D5]
	5GD54ZJ8AE	1	J, T						[D8]
	5GJ79XDHAE	1	J, T						[J1]
	5GJ79ZJ8AE	1	J, T						[J3]
	5GJ79XDHAE	1	U						[D5]
	5GJ79ZJ8AE	1	U						[D8]
	5GJ79ZJ8AE	1	U						[J1]
	5GJ79ZJ8AE	1	U						[J3]
2		1							SEAL, Instrument Panel, (NOT SERVICED),
3		1							COVER, Instrument Panel Opening
	5GN55XD-HAD	1	J, T						[D5]
	5GN55ZJ8AD	1	J, T						[D8]
	5GN55ZJ8AD	1	J, T						[J1]
	5GN56XD-HAD	1	J, T						[J3]
	5GN56XD-HAD	1	U						[D5]
	5GN56ZJ8AD	1	U						[D8]
	5GN56ZJ8AD	1	U						[J1]
	5GN56ZJ8AD	1	U						[J3]
4	55314987AB	1	J, T						BRACKET, Steering Column
	55314988AB	1	U						Comes with 11 Studs, Lower
	55314988AB	1	U						Comes with 11 Studs, Lower
5	06506232AA	2							NUT
-6	06101826	2							SCREW, M6x1x20
	06101826	2							To Upper Support Bracket, Steering Column Lower
	06101826	2							Support Bracket to Instrument Panel, Steering Column Lower
7	0ZE85XDHAC	1	J, T						PANEL, Instrument [D5][XCA]

<b>LIBERTY (KJ)</b>				
SERIES	LINE	BODY	ENGINE	TRANSMISSION
H = HIGHLINE	T = JEEP - 2WD	74 = SPORT UTILITY 4-DR	EKG = 3.7L V6 Engine	DG6 = 4-Spd. Automatic 42RLE
M = MEDIUM	J = JEEP - 4WD		ENR = 2.8L 4 Cyl Turbo Diesel Engine	Transmission
P = PREMIUM	U = JEEP - 4WD (RHD)		ENJ = 2.5L 4 Cyl 16V Turbo Diesel Engine	DGV = 4-Spd. Automatic VLP
			ED1 = 2.4L 4 Cyl DOHC 16v SMPI Engine	Transmission
				DGQ = 5-Spd Automatic 5-45RFE
				Transmission
				DEH = 6-Speed Manual NSG370
				Transmission
				DDD = 5-Speed HD Manual
				Transmission
				DDK = 5-Speed HD Manual
				Transmission

AR = use ase required - = Non illustrated part

Instrument Panel  
Figure 08A-110



ITEM	PART NUMBER	QTY	LINE	SERIES	BODY	ENGINE	TRANS	TRIM	DESCRIPTION
									[DB][XCA]
	0ZE85ZJ8AC	1	J, T						[J1][XCA]
		1	J, T						[J3][XCA]
	0ZE87XDHAC	1	U						[D5]
		1	U						[DB]
	0ZE87ZJ8AC	1	U						[J1]
		1	U						[J3]
	5JX85XDHAC	1	J, T						[D5]
		1	J, T						[DB]
	5JX85ZJ8AC	1	J, T						[J1]
		1	J, T						[J3]
8									BRACKET, Radio
	05072596AA	1	J, T						
		1	U						
9									GLOVE BOX, Instrument Panel
	0ZE71XDHAB	1	J, T						[D5]
		1	J, T						[DB]
		1	U						[D5]
		1	U						[DB]
	0ZE71ZJ8AB	1	J, T						[J1]
		1	J, T						[J3]
		1	U						[J1]
		1	U						[J3]
10									LATCH, Glovebox Door
	0WQ54XD-HAA	1	J, T						[D5]
		1	J, T						[DB]
		1	U						[D5]
		1	U						[DB]
	0WQ54ZJ8AA	1	J, T						[J1]

**LIBERTY (KJ)**  
 SERIES            LINE  
 H = HIGHLINE    T = JEEP - 2WD  
 M = MEDIUM     J = JEEP - 4WD  
 P = PREMIUM     U = JEEP - 4WD (RHD)

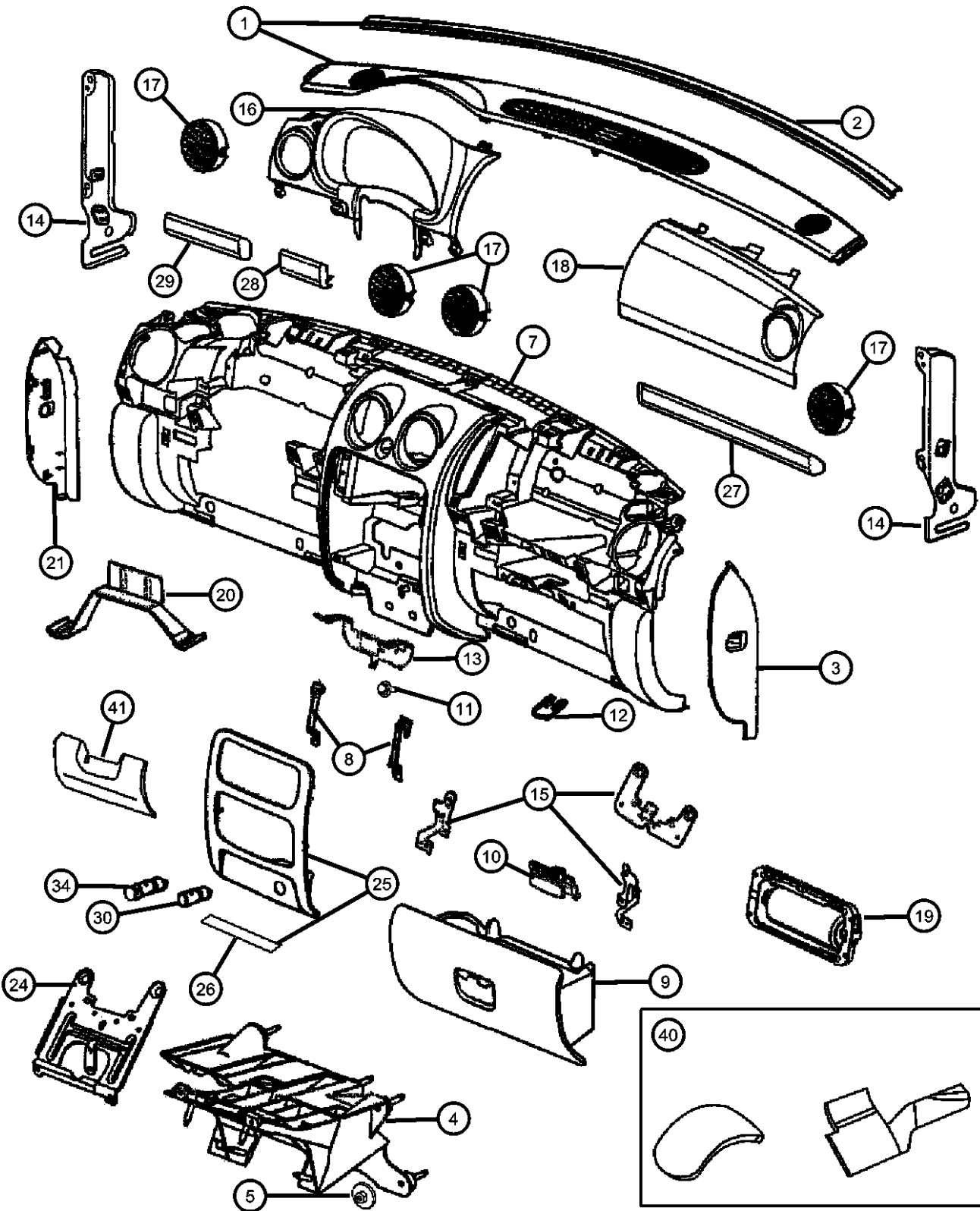
**BODY**  
 74 = SPORT UTILITY 4-DR

**ENGINE**  
 EKG = 3.7L V6 Engine  
 ENR = 2.8L 4 Cyl Turbo Diesel Engine  
 ENJ = 2.5L 4 Cyl 16V Turbo Diesel Engine  
 ED1 = 2.4L 4 Cyl DOHC 16v SMPI Engine

**TRANSMISSION**  
 DG6 = 4-Spd. Automatic 42RLE Transmission  
 DGV = 4-Spd. Automatic VLP Transmission  
 DGQ = 5-Spd Automatic 5-45RFE Transmission  
 DEH = 6-Speed Manual NSG370 Transmission  
 DDD = 5-Speed HD Manual Transmission  
 DDK = 5-Speed HD Manual Transmission

AR = use ase required - = Non illustrated part

Instrument Panel  
Figure 08A-110



ITEM	PART NUMBER	QTY	LINE	SERIES	BODY	ENGINE	TRANS	TRIM	DESCRIPTION
		1	J, T						[J3]
		1	U						[J1]
		1	U						[J3]
11	06101945	4							SCREW
12									STRIKER, Glove Box Door Latch
	05072605AA	1	J, T						
		1	U						
13									BRACKET, Audio Equipment
	05072606AA	1	J, T						
		1	U						
14									BRACKET, Instrument Panel
	05073523AA	1	J, T						Right end
	56052063AC	1	U						Right end
	56052064AC	1	J, T						Left end
		1	U						Left end
15									BRACKET, Air Bag
	56052057AB	1	J, T						Center
	56052058AB	1	U						Center
	56052059AB	1	J, T						Left
	56052060AB	1	U						Inboard
	56052061AB	1	J, T						Inboard
	56052062AB	1	U						Left
16									BEZEL, Cluster
	0WD13XD-HAA	1	U						[D5]
		1	U						[DB]
	0WD13ZJ8AA	1	U						[J1]
		1	U						[J3]
	5JA36XDHAB	1	J, T						[D5]
		1	J, T						[DB]

**LIBERTY (KJ)**  
**SERIES**  
H = HIGHLINE  
M = MEDIUM  
P = PREMIUM

**LINE**  
T = JEEP - 2WD  
J = JEEP - 4WD  
U = JEEP - 4WD (RHD)

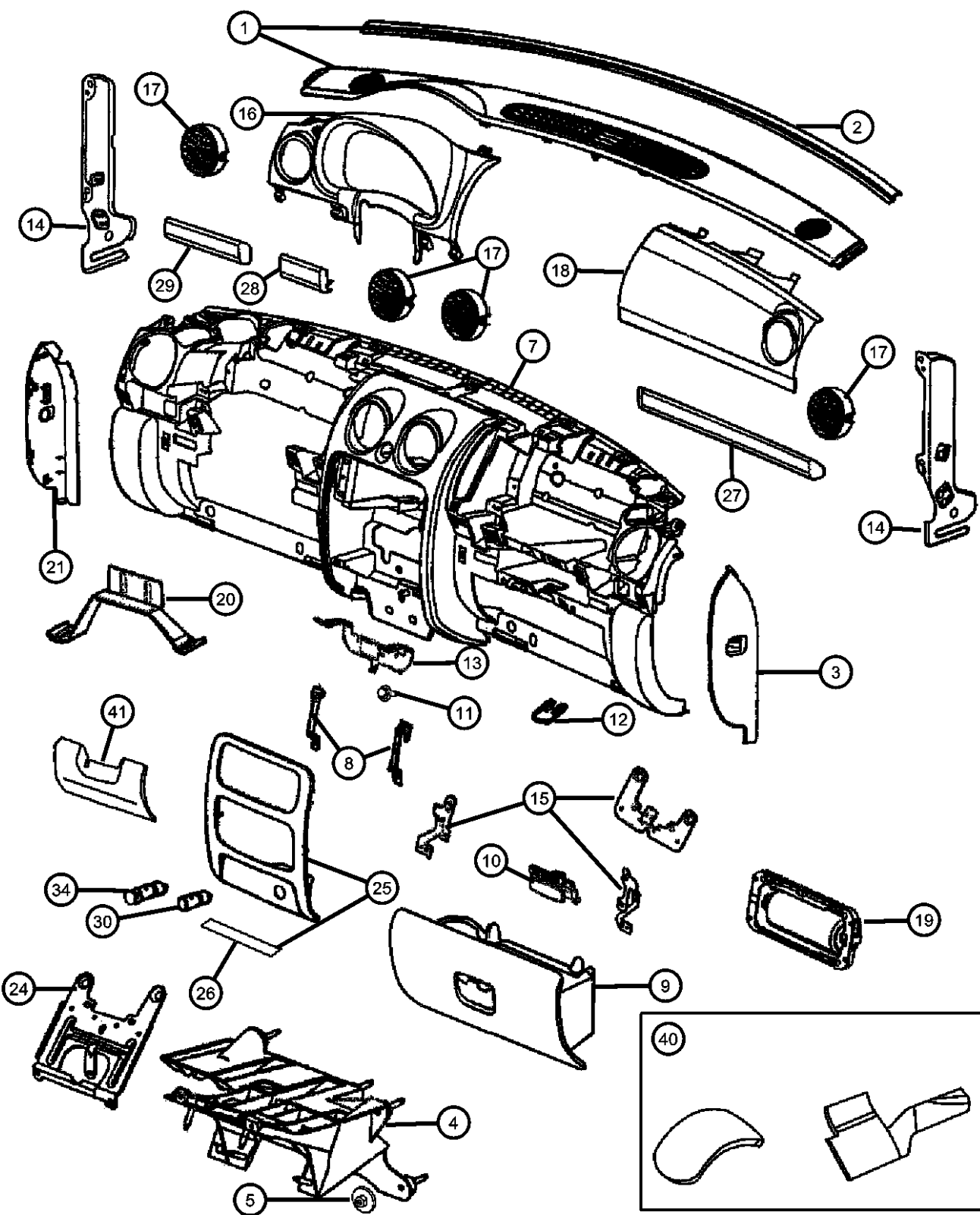
**BODY**  
74 = SPORT UTILITY 4-DR

**ENGINE**  
EKG = 3.7L V6 Engine  
ENR = 2.8L 4 Cyl Turbo Diesel Engine  
ENJ = 2.5L 4 Cyl 16V Turbo Diesel Engine  
ED1 = 2.4L 4 Cyl DOHC 16v SMPI Engine

**TRANSMISSION**  
DG6 = 4-Spd. Automatic 42RLE Transmission  
DGV = 4-Spd. Automatic VLP Transmission  
DGQ = 5-Spd Automatic 5-45RFE Transmission  
DEH = 6-Speed Manual NSG370 Transmission  
DDD = 5-Speed HD Manual Transmission  
DDK = 5-Speed HD Manual Transmission

AR = use ase required - = Non illustrated part

Instrument Panel  
Figure 08A-110

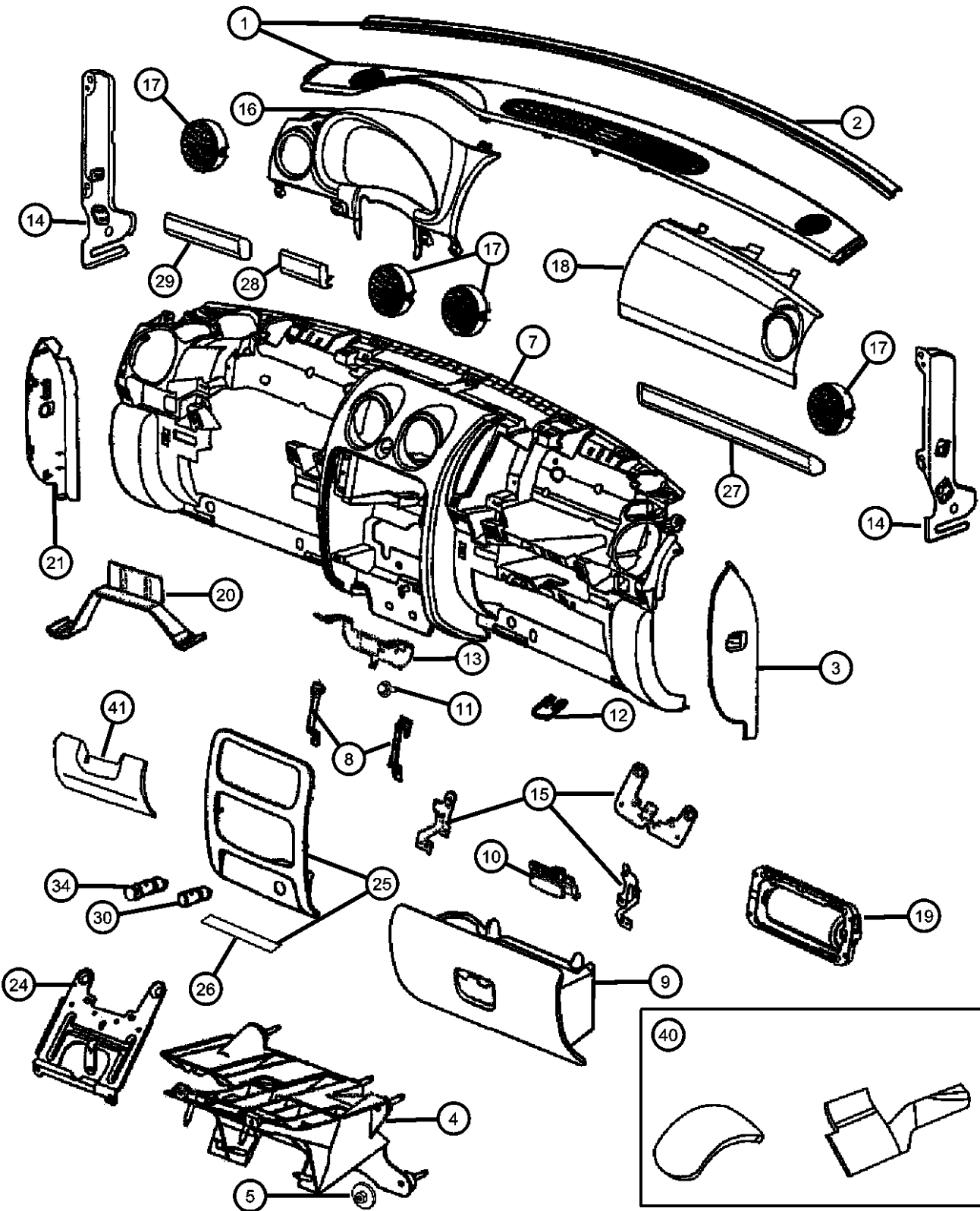


ITEM	PART NUMBER	QTY	LINE	SERIES	BODY	ENGINE	TRANS	TRIM	DESCRIPTION
	5JA36ZJ8AB	1	J, T						[J1]
		1	J, T						[J3]
17	0WC88DX9AC	4		H, M					OUTLET, Air Conditioning & Heater
	0WC88XD-HAC	4		P					
18	0WD14XD-HAC	1	U						DOOR, Passenger Air Bag, Air Outlet Included (Heat Staked) [D5]
	0WD14ZJ8AC	1	U						[DB]
	0ZE70WL8AB	1	J, T						[J3][XCA]
	0ZE70XDHAB	1	J, T						[D5][XCA]
		1	J, T						[DB][XCA]
	0ZE70ZJ8AB	1	J, T						[J1][XCA]
	5HZ98XD-HAC	1	J, T						[D5]
	5HZ98ZJ8AC	1	J, T						[DB]
		1	J, T						[J1]
		1	J, T						[J3]
19	55315103AE	1							AIR BAG, Passenger
20	55037453AC	1							BRACKET, Instrument Panel
21									COVER, Fuse Access
	5GK18XD-HAD	1	U						[D5]
	5GK18ZJ8AD	1	U						[DB]
		1	U						[J1]
	5GK19XD-HAD	1	J, T						[J3]
		1	J, T						[D5]
		1	J, T						[DB]

<b>LIBERTY (KJ)</b>		<b>BODY</b>		<b>ENGINE</b>		<b>TRANSMISSION</b>	
SERIES	LINE	74 = SPORT UTILITY 4-DR	EKG = 3.7L V6 Engine	DG6 = 4-Spd. Automatic 42RLE			
H = HIGHLINE	T = JEEP - 2WD		ENR = 2.8L 4 Cyl Turbo Diesel Engine	DGV = 4-Spd. Automatic VLP			
M = MEDIUM	J = JEEP - 4WD		ENJ = 2.5L 4 Cyl 16V Turbo Diesel Engine	DGQ = 5-Spd Automatic 5-45RFE			
P = PREMIUM	U = JEEP - 4WD (RHD)		ED1 = 2.4L 4 Cyl DOHC 16v SMPI Engine	DEH = 6-Speed Manual NSG370			
				DDD = 5-Speed HD Manual			
				DDK = 5-Speed HD Manual			

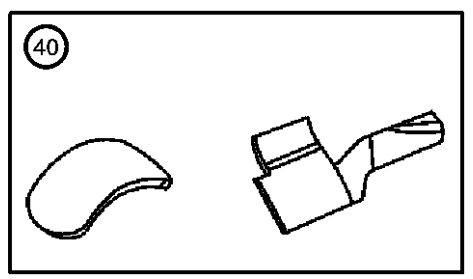
AR = use ase required - = Non illustrated part

**Instrument Panel  
Figure 08A-110**



ITEM	PART NUMBER	QTY	LINE	SERIES	BODY	ENGINE	TRANS	TRIM	DESCRIPTION
	5GK19ZJ8AD	1	J, T						[J1]
		1	J, T						[J3]
-22	05072937AA	1	U						PULLER, Fuse
		1	J, T						
-23	5JF63XDHAC	1							PANEL, Knee Blocker
		1							[D5]
	5JF63ZJ8AC	1							[DB]
		1							[J1]
		1							[J3]
24	55314992AB	1	J, T						BRACKET, Steering Column
		1							Upper, Left Hand Drive
	55315011AB	1	U						Upper, Right Hand Drive
25	1AX30AAAAA	1			M				BEZEL, Instrument Panel, Center
	1EL91AAAAA	1			H				[ACH]
	5KC22XZAAA	1			P				
	5KD13DX9AB	1			H				Center
26	55116992AA	1							PAD, Instrument Panel
27	5KD06XD-HAA	1	J, T						BEZEL, Instrument Panel
		1	J, T						[D5]
	5KD06ZJ8AA	1	J, T						[DB]
		1	J, T						[J1]
		1	J, T						[J3]
	5KD12XD-HAA	1	U						[D5]
		1	U						[DB]
	5KD12ZJ8AA	1	U						[J1]
		1	U						[J3]
28									BEZEL, Instrument Panel

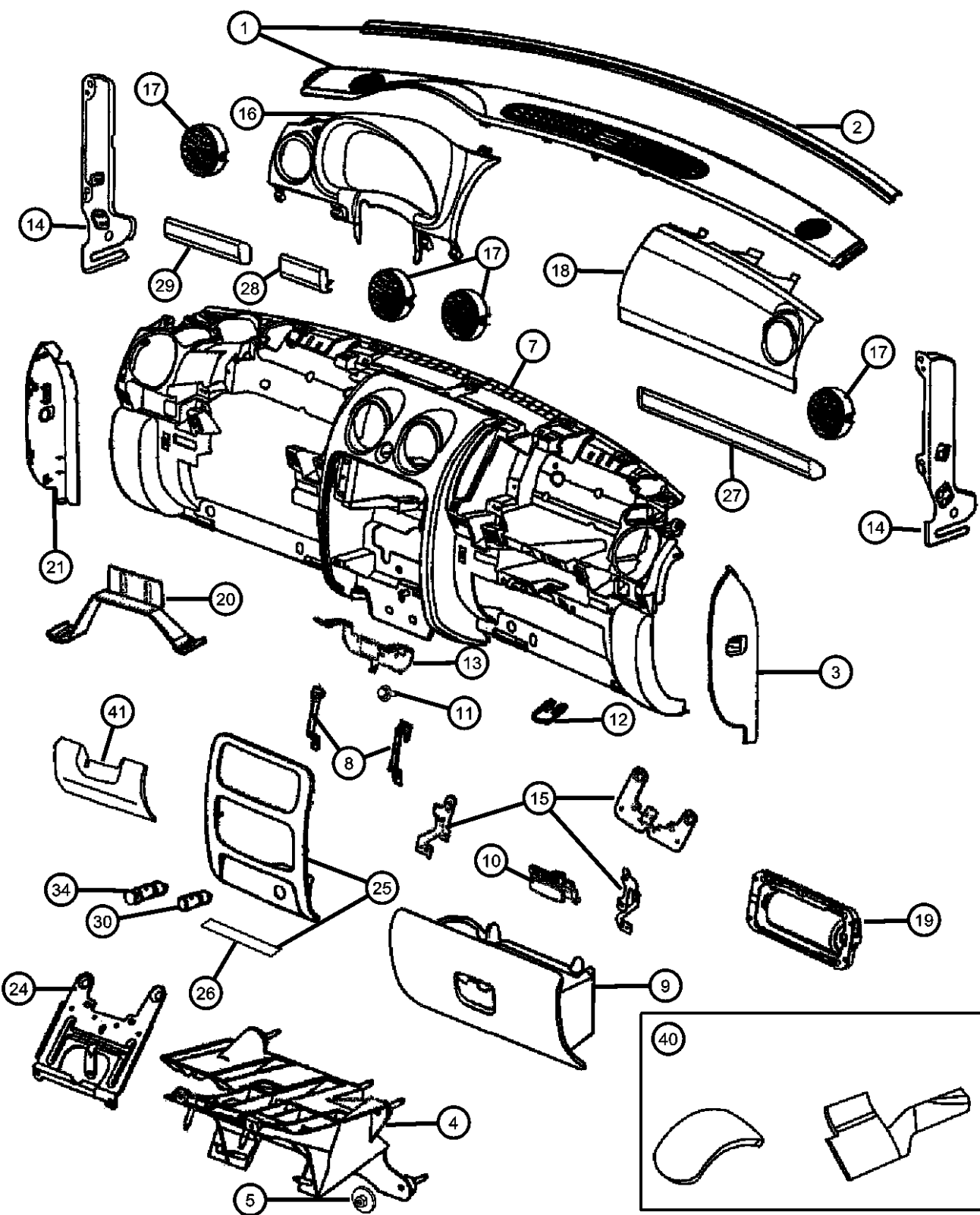
<b>LIBERTY (KJ)</b>				
SERIES	LINE	BODY	ENGINE	TRANSMISSION
H = HIGHLINE	T = JEEP - 2WD	74 = SPORT UTILITY 4-DR	EKG = 3.7L V6 Engine	DG6 = 4-Spd. Automatic 42RLE
M = MEDIUM	J = JEEP - 4WD		ENR = 2.8L 4 Cyl Turbo Diesel Engine	Transmission
P = PREMIUM	U = JEEP - 4WD (RHD)		ENJ = 2.5L 4 Cyl 16V Turbo Diesel Engine	DGV = 4-Spd. Automatic VLP
			ED1 = 2.4L 4 Cyl DOHC 16v SMPI Engine	Transmission
				DGQ = 5-Spd Automatic 5-45RFE
				Transmission
				DEH = 6-Speed Manual NSG370
				Transmission
				DDD = 5-Speed HD Manual
				Transmission
				DDK = 5-Speed HD Manual
				Transmission



AR = use ase required - = Non illustrated part



Instrument Panel  
Figure 08A-110



ITEM	PART NUMBER	QTY	LINE	SERIES	BODY	ENGINE	TRANS	TRIM	DESCRIPTION
	5KD04XD-HAA	1	J, T						[D5] Export, Mexico
	5KD04ZJ8AA	1	J, T						[DB] Export, Mexico
	5KD05XD-HAA	1	J, T						[J1] Export, Mexico
	5KD05ZJ8AA	1	J, T						[J3] Export, Mexico
	5KD10XD-HAA	1	U						[D5]
	5KD10ZJ8AA	1	U						[DB]
	5KD11XDHAA	1	U						[J1]
	5KD11ZJ8AA	1	U						[J3]
	5KE17XDHAA	1	J, T						[D5][JKL]
	5KE17ZJ8AA	1	J, T						[DB][JKL]
	5KE17ZJ8AA	1	J, T						[J1][JKL]
	5KE17ZJ8AA	1	J, T						[J3][JKL]
29									BEZEL, Instrument Panel
	5KD02XD-HAA	1	J, T						[D5]
	5KD02ZJ8AA	1	J, T						[DB]
	5KD03XD-HAA	1	J, T						[J1]
	5KD03XD-HAA	1	J, T						[J3]
	5KD03XD-HAA	1	J, T						[D5][LNS]
	5KD03XD-HAA	1	J, T						[DB][LNS]

**LIBERTY (KJ)**  
 SERIES                      LINE  
 H = HIGHLINE              T = JEEP - 2WD  
 M = MEDIUM                J = JEEP - 4WD  
 P = PREMIUM                U = JEEP - 4WD (RHD)

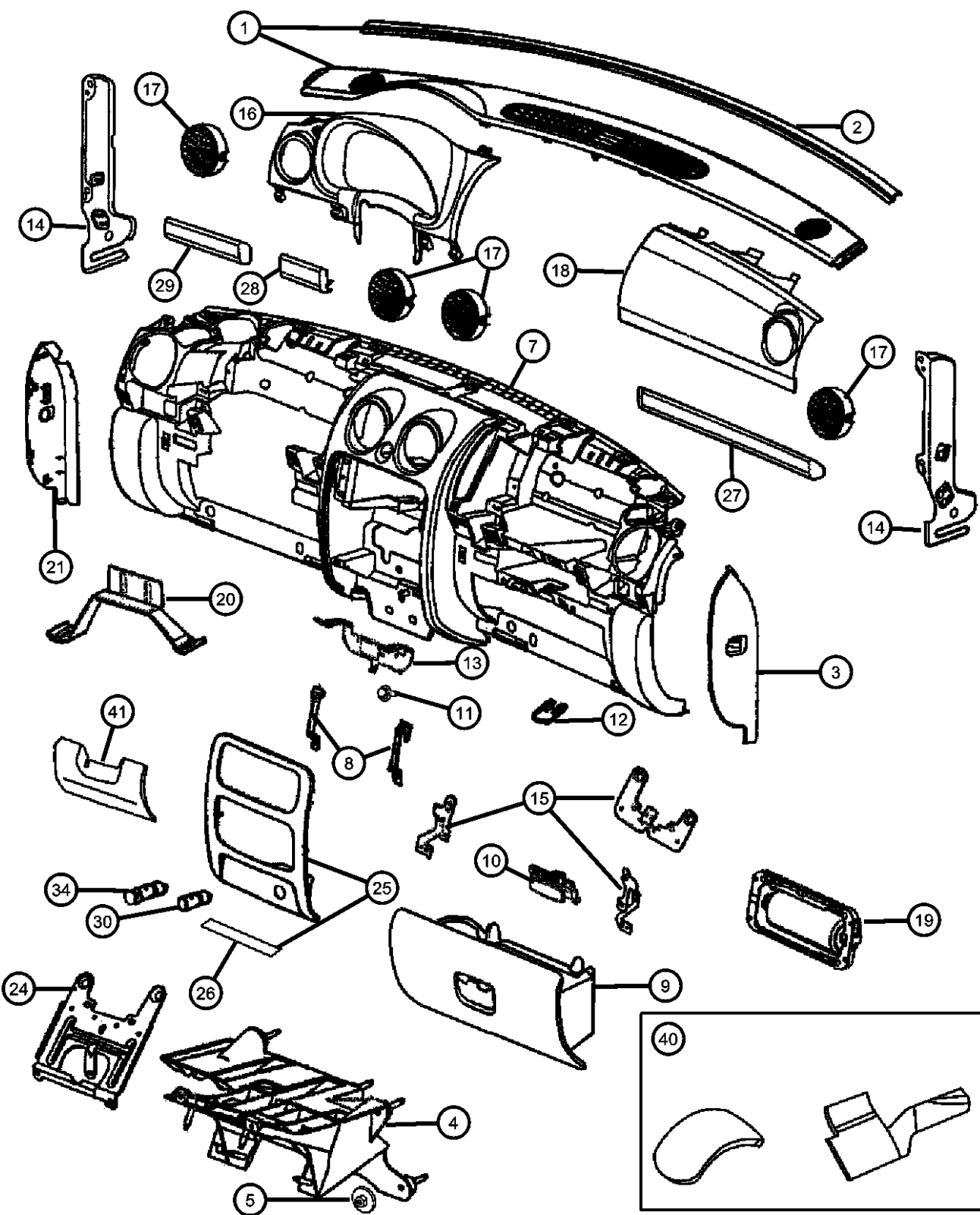
**BODY**  
 74 = SPORT UTILITY 4-DR

**ENGINE**  
 EKG = 3.7L V6 Engine  
 ENR = 2.8L 4 Cyl Turbo Diesel Engine  
 ENJ = 2.5L 4 Cyl 16V Turbo Diesel Engine  
 ED1 = 2.4L 4 Cyl DOHC 16v SMPI Engine

**TRANSMISSION**  
 DG6 = 4-Spd. Automatic 42RLE Transmission  
 DGV = 4-Spd. Automatic VLP Transmission  
 DGQ = 5-Spd Automatic 5-45RFE Transmission  
 DEH = 6-Speed Manual NSG370 Transmission  
 DDD = 5-Speed HD Manual Transmission  
 DDK = 5-Speed HD Manual Transmission

AR = use ase required - = Non illustrated part

Instrument Panel  
Figure 08A-110

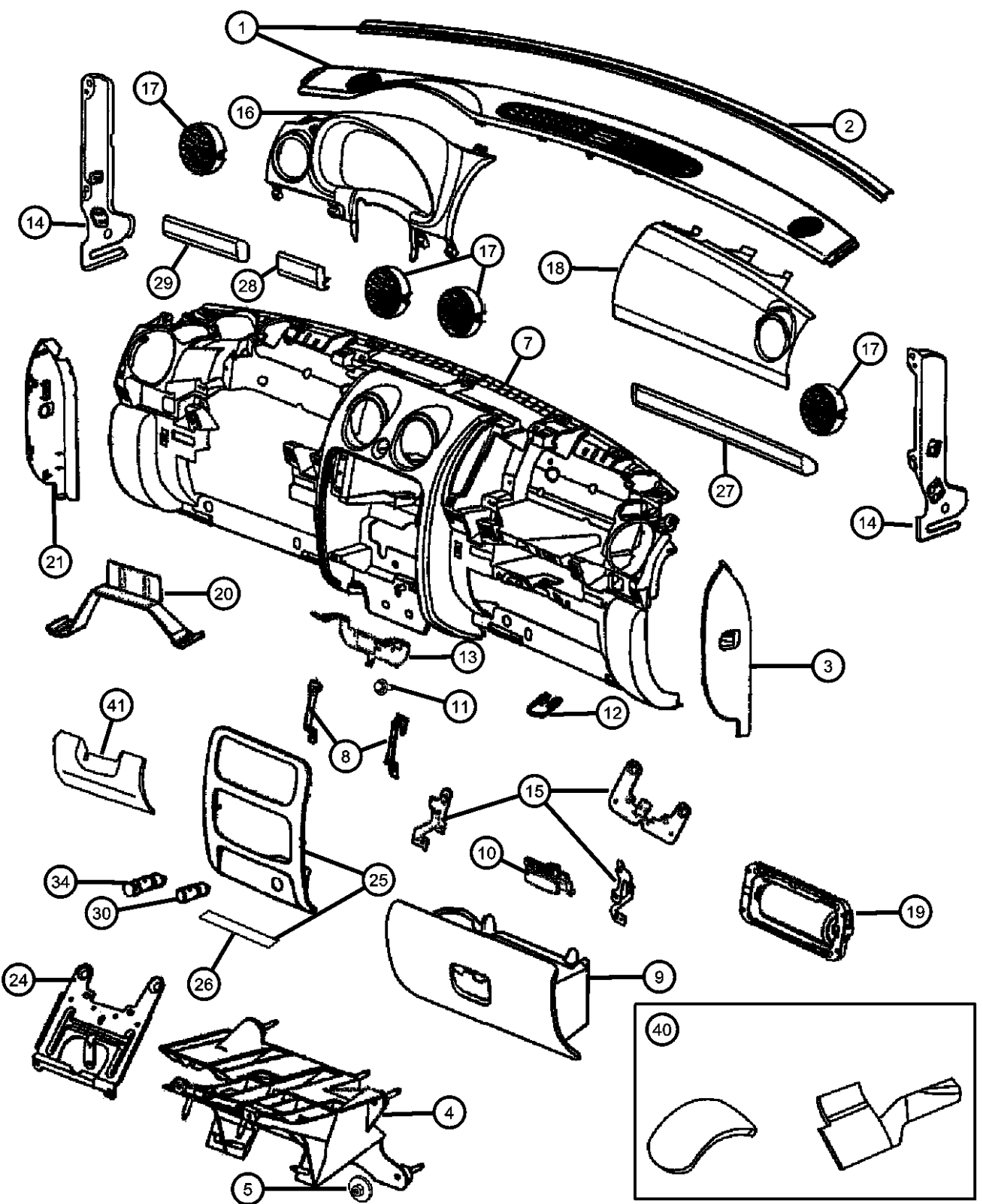


ITEM	PART NUMBER	QTY	LINE	SERIES	BODY	ENGINE	TRANS	TRIM	DESCRIPTION
	5KD03ZJ8AA	1	J, T						[J1][LNS]
		1	J, T						[J3][LNS]
	5KD08XD-HAA	1	U						[D5]
		1	U						[DB]
	5KD08ZJ8AA	1	U						[J1]
		1	U						[J3]
	5KD09XD-HAA	1	U						[D5][LNS]
		1	U						[DB][LNS]
	5KD09ZJ8AA	1	U						[J1][LNS]
		1	U						[J3][LNS]
	5KE15XDHAA	1	J, T						[D5] Export, Mexico
		1	J, T						[DB] Export, Mexico
	5KE15ZJ8AA	1	J, T						[J1] Export, Mexico
		1	J, T						[J3] Export, Mexico
	5KE16XDHAA	1	J, T						[D5][LNS] Export, Mexico
		1	J, T						[DB][LNS] Export, Mexico
	5KE16ZJ8AA	1	J, T						[J1][LNS] Export, Mexico
		1	J, T						[J3][LNS] Export, Mexico
30	04793554AB	1							POWER OUTLET
-31	04685668AA	1							MOUNT, Power Outlet
-32	56010621AA	1							CAP, Power Outlet
-33									BASE, Cigar Lighter
	04685590	1	J, T, U		74				Up to 02/06/06
	04793551	1	J, T, U		74				After 02/06/06
34									KNOB AND ELEMENT, Cigar Lighter
	04685370	1	J, T, U		74				After 02/06/06
	04685536	1	J, T, U		74				Up to 02/06/06
-35	04793555	1							RING, Cigar Lighter Mounting

<b>LIBERTY (KJ)</b>		<b>BODY</b>		<b>ENGINE</b>		<b>TRANSMISSION</b>	
SERIES	LINE	74 = SPORT UTILITY 4-DR		EKG = 3.7L V6 Engine	DG6 = 4-Spd. Automatic 42RLE		
H = HIGHLINE	T = JEEP - 2WD			ENR = 2.8L 4 Cyl Turbo Diesel Engine	Transmission		
M = MEDIUM	J = JEEP - 4WD			ENJ = 2.5L 4 Cyl 16V Turbo Diesel Engine	DGV = 4-Spd. Automatic VLP		
P = PREMIUM	U = JEEP - 4WD (RHD)			ED1 = 2.4L 4 Cyl DOHC 16v SMPI Engine	Transmission		
					DGQ = 5-Speed Automatic 5-45RFE		
					Transmission		
					DEH = 6-Speed Manual NSG370		
					Transmission		
					DDD = 5-Speed HD Manual		
					Transmission		
					DDK = 5-Speed HD Manual		
					Transmission		

AR = use ase required - = Non illustrated part

Instrument Panel  
Figure 08A-110

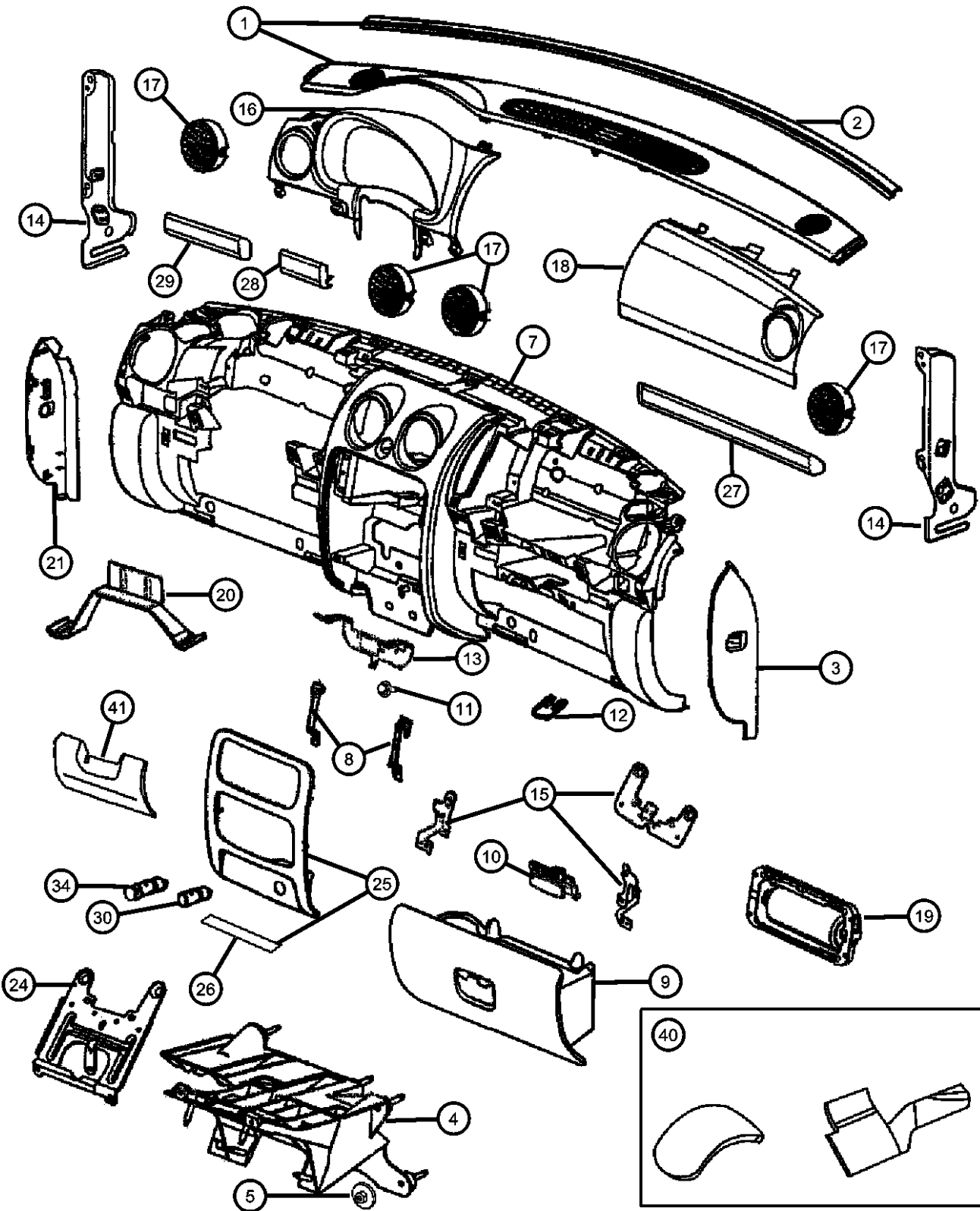


ITEM	PART NUMBER	QTY	LINE	SERIES	BODY	ENGINE	TRANS	TRIM	DESCRIPTION
-36									PANEL, CLOSEOUT
	55352786AF	1	J, T						Right
	55352787AG	1	J, T						Left
	55352788AF	1	U						Right
	55352789AG	1	U						Left
-37	04595823AB	1							SMOKERS KIT, Ash Receiver With Lighter
-38	55116979AB	1							ASH RECEIVER, Floor Console
-39									GROMMET, Instrument Panel
	05140877AA	1	J, T						
		1	U						
40	55037718AC	1	J, T			EN0			INSULATION, Dash Panel
41									PANEL, Knee Blocker
	5JF63XDHAC	1							[D5]
		1							[DB]
	5JF63ZJ8AC	1							[J1]
		1							[J3]
-42									HANDLE, Grab
	5KD07XD-HAA	1	J, T						[D5]
		1	J, T						[DB]
	5KD07ZJ8AA	1	J, T						[J1]
		1	J, T						[J3]
-43									CAP, Bolt Cover
	0ZE76XDHAA	1	J, T						[D5] Grab handle, Right
		1	J, T						[DB] Grab handle, Right
	0ZE76ZJ8AA	1	J, T						[J1] Grab handle, Right
		1	J, T						[J3] Grab handle, Right
	0ZE77XDHAA	1	J, T						[D5] Grab handle, Left
		1	J, T						[DB] Grab handle, Left
	0ZE77ZJ8AA	1	J, T						[J1] Grab handle, Left

<b>LIBERTY (KJ)</b>				
SERIES	LINE	BODY	ENGINE	TRANSMISSION
H = HIGHLINE	T = JEEP - 2WD	74 = SPORT UTILITY 4-DR	EKG = 3.7L V6 Engine	DG6 = 4-Spd. Automatic 42RLE
M = MEDIUM	J = JEEP - 4WD		ENR = 2.8L 4 Cyl Turbo Diesel Engine	Transmission
P = PREMIUM	U = JEEP - 4WD (RHD)		ENJ = 2.5L 4 Cyl 16V Turbo Diesel Engine	DGV = 4-Spd. Automatic VLP
			ED1 = 2.4L 4 Cyl DOHC 16v SMPI Engine	Transmission
				DGQ = 5-Spd Automatic 5-45RFE
				Transmission
				DEH = 6-Speed Manual NSG370
				Transmission
				DDD = 5-Speed HD Manual
				Transmission
				DDK = 5-Speed HD Manual
				Transmission

AR = use ase required - = Non illustrated part

Instrument Panel  
Figure 08A-110



ITEM	PART NUMBER	QTY	LINE	SERIES	BODY	ENGINE	TRANS	TRIM	DESCRIPTION
-44	05189225AA	1	J, T						[J3] Grab handle, Left CLIP, Instrument Panel For ESP Connector
-45	56052122AA	1	J, T						For ESP Connector BRACKET, Instrument Panel Right
	56052123AA	1	J, T						Right Left
-46	56052063AC	1	U						BRACKET, Instrument Panel, Instrument panel support, Right

LIBERTY (KJ)

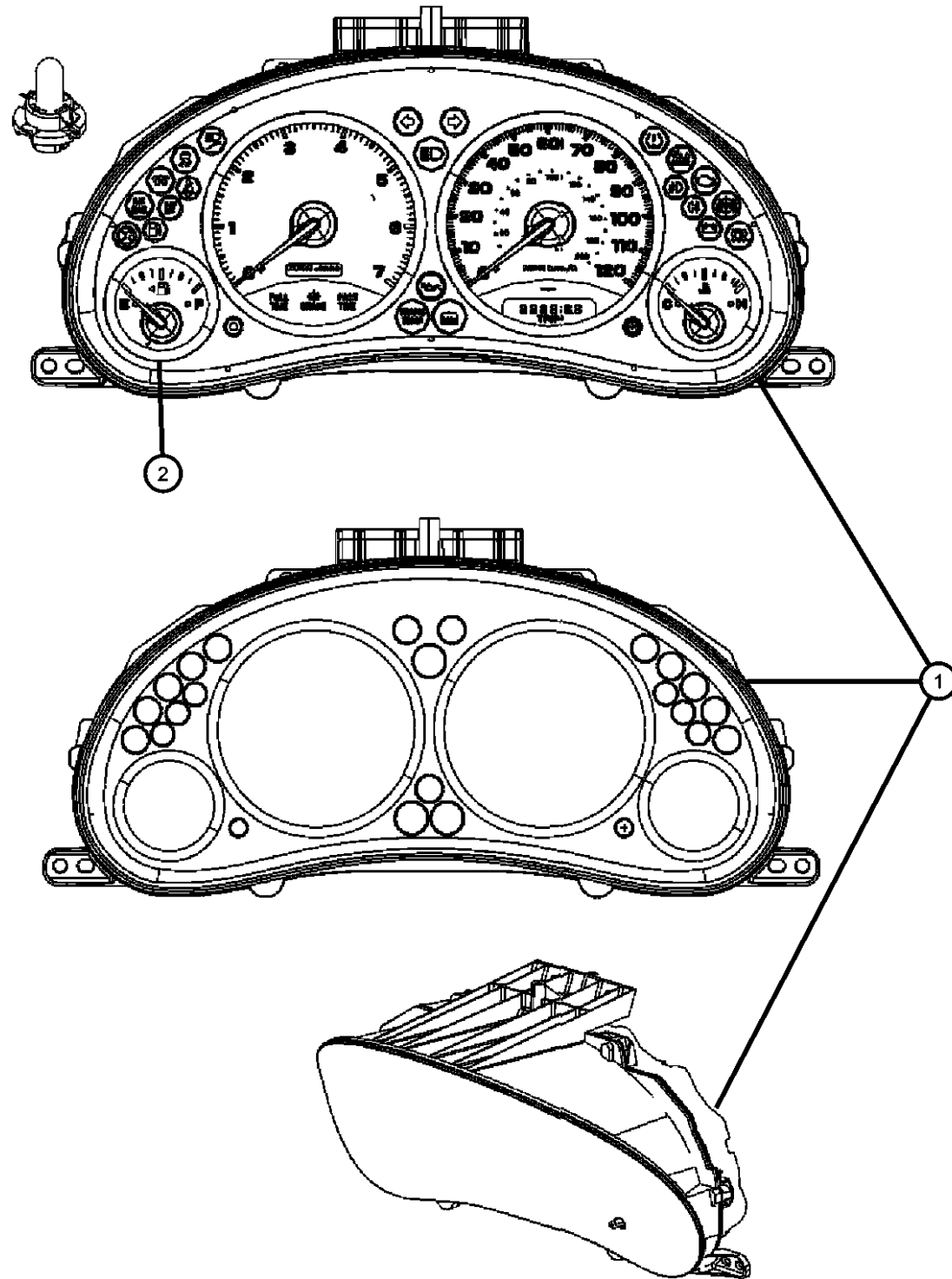
SERIES	LINE
H = HIGHLINE	T = JEEP - 2WD
M = MEDIUM	J = JEEP - 4WD
P = PREMIUM	U = JEEP - 4WD (RHD)

BODY
74 = SPORT UTILITY 4-DR

ENGINE	TRANSMISSION
EKG = 3.7L V6 Engine	DG6 = 4-Spd. Automatic 42RLE
ENR = 2.8L 4 Cyl Turbo Diesel Engine	Transmission
ENJ = 2.5L 4 Cyl 16V Turbo Diesel Engine	DGV = 4-Spd. Automatic VLP
ED1 = 2.4L 4 Cyl DOHC 16v SMPI Engine	Transmission
	DGQ = 5-Spd Automatic 5-45RFE
	Transmission
	DEH = 6-Speed Manual NSG370
	Transmission
	DDD = 5-Speed HD Manual
	Transmission
	DDK = 5-Speed HD Manual
	Transmission

AR = use ase required - = Non illustrated part

**Instrument Panel Cluster  
Figure 08A-210**



ITEM	PART NUMBER	QTY	LINE	SERIES	BODY	ENGINE	TRANS	TRIM	DESCRIPTION
1									CLUSTER, Instrument Panel
	56044865AC	1				ED0, EK0			[JAY,JCB]
		1				EK0			[JAY,JCB]
	56044866AC	1				ED0, EK0			[JAY,JCB,ABU]
		1				EK0			[JAY,JCB,ABU]
	56044869AC	1				ED0, EK0			[JA2,JCB]
		1				EK0			[JA2,JCB]
	56044870AC	1				ED0, EK0			[JA2,JCB,ABU]
		1				EK0			[JA2,JCB,ABU]
	56044871AC	1				ED0, EK0			[JAY,JDJ]
		1				EK0			[JAY,JDJ]
	56044872AC	1				ED0, EK0			[JA2,JDJ]
		1				EK0			[JA2,JDJ]
	56044873AC	1				ED0, EK0			[JAY,JDR]
		1				EK0			[JAY,JDR]
	56044874AC	1				ED0, EK0			[JA2,JDR]
		1				EK0			[JA2,JDR]
	56044875AC	1				EN0			[JAY,JCB,ABU]
	56044876AC	1				EN0			[JA2,JCB,ABU]
	56044877AC	1				EN0			[JAY,JDJ]
	56044878AC	1				EN0			[JA2,JDJ]
	56044879AC	1				EN0			[JAY,JDR]
	56044880AC	1				EN0			[JA2,JDR]
	56044881AC	1				EN0			[JAY,JCB]
	56044882AC	1				EN0			[JA2,JCB]
2									MASK AND LENS, Instrument Cluster
	04828962AB	1				ED0, EK0			[JAY]
		1				EN0			[JAY]
	04832731AC	1				ED0, EK0			[JA2]
		1				EN0			[JA2]

**LIBERTY (KJ)**

SERIES	LINE
H = HIGHLINE	T = JEEP - 2WD
M = MEDIUM	J = JEEP - 4WD
P = PREMIUM	U = JEEP - 4WD (RHD)

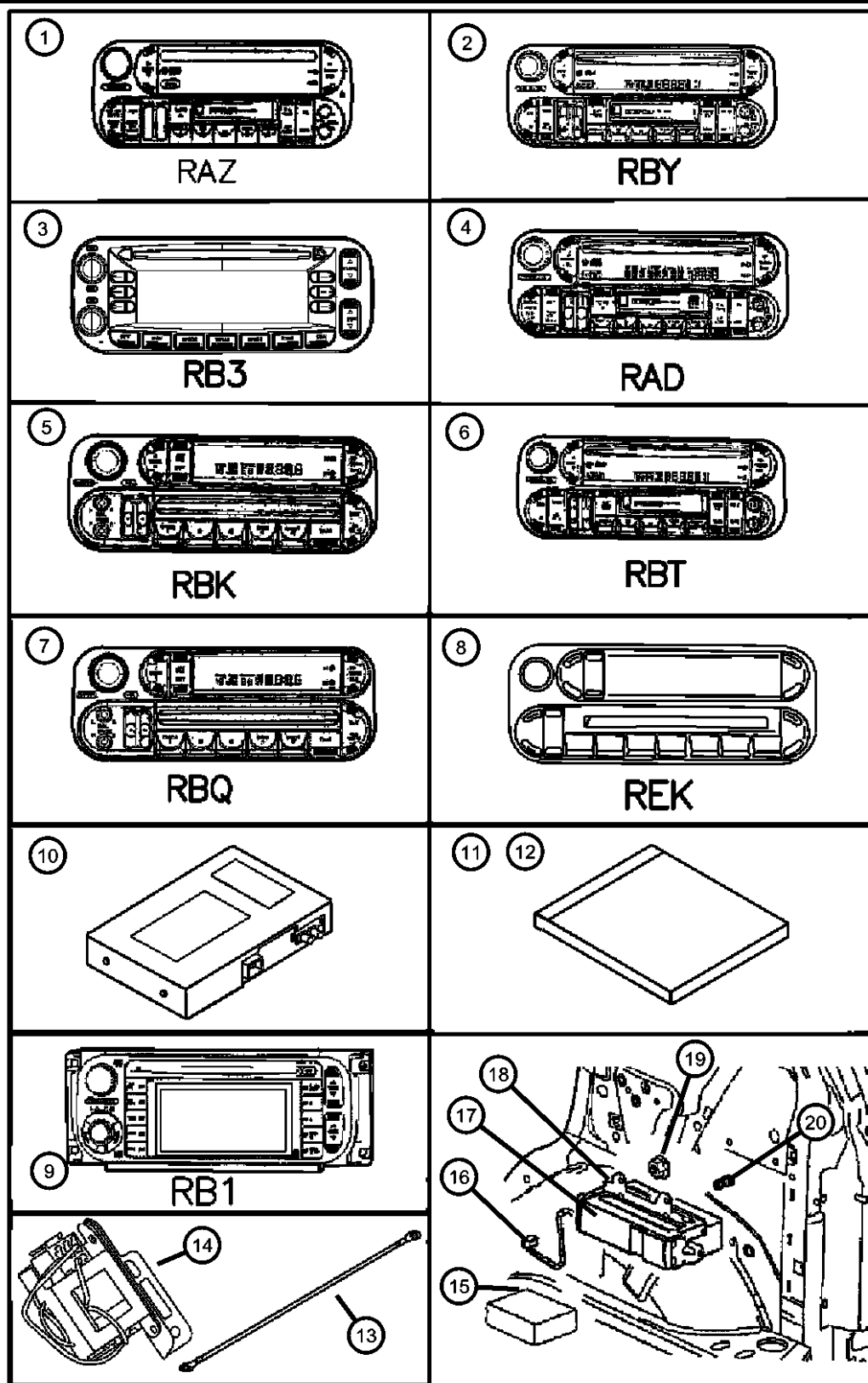
BODY  
74 = SPORT UTILITY 4-DR

ENGINE	TRANSMISSION
EKG = 3.7L V6 Engine	DG6 = 4-Spd. Automatic 42RLE
ENR = 2.8L 4 Cyl Turbo Diesel Engine	Transmission
ENJ = 2.5L 4 Cyl 16V Turbo Diesel Engine	DGV = 4-Spd. Automatic VLP
ED1 = 2.4L 4 Cyl DOHC 16v SMPI Engine	Transmission
	DGQ = 5-Spd Automatic 5-45RFE
	Transmission
	DEH = 6-Speed Manual NSG370
	Transmission
	DDD = 5-Speed HD Manual
	Transmission
	DDK = 5-Speed HD Manual
	Transmission

AR = use ase required - = Non illustrated part

2006 KJ

Radios  
Figure 08A-310



ITEM	PART NUMBER	QTY	LINE	SERIES	BODY	ENGINE	TRANS	TRIM	DESCRIPTION
1	05064042AB	1							RADIO, AM/FM with CD and Cassette, [RAZ]
2	05091609AD	1							RADIO, AM/FM/Cassette With CD, [RBY]
3	05064119AA	1							RADIO, AM/FM CD W/NAV & CD-CTRL, [RB3]
4	05091601AF	1							RADIO, AM/FM/Cassette With CD, [RAD]
5									RADIO, AM/FM with CD and Equalizer [RBK] Huntsville
	05091506AE	1							[RBK] Mitsubishi
	05161262AA	1							
6	05091608AD	1							RADIO, AM/FM/Cassette With CD, [RBT]
7									RADIO, AM/FM with CD and Equalizer [RBQ] Up to 10/01/05
	05091507AE	1							[RBQ] After 10/01/05
	05091507AF	1							
8	05091610AC	1							RADIO, AM/FM with CD, [REK]
9	56038629AH	1							RADIO, AM/FM CD W/NAV/DVD & CD-CTRL, [RB1]
10									RECEIVER, Satellite Up to 02/07/05
	05064020AJ	1							After 02/07/05
	05064074AC	1							
11	05064033AC	1							DVD, Geographic Database
12									COMPACT DISC, Navigation [RB3]
	05064108AA	1							[XWF]
	05064133AA	1							
13									STRAP, Ground Engine to body
	56038554AB	1				EK0			Hood to Fender
	56038750AB	1							CHOKE, Speaker
14									
	56038654AA	1			J, T				
	56038655AA	1			U				

LIBERTY (KJ)

SERIES  
H = HIGHLINE  
M = MEDIUM  
P = PREMIUM

LINE  
T = JEEP - 2WD  
J = JEEP - 4WD  
U = JEEP - 4WD (RHD)

BODY  
74 = SPORT UTILITY 4-DR

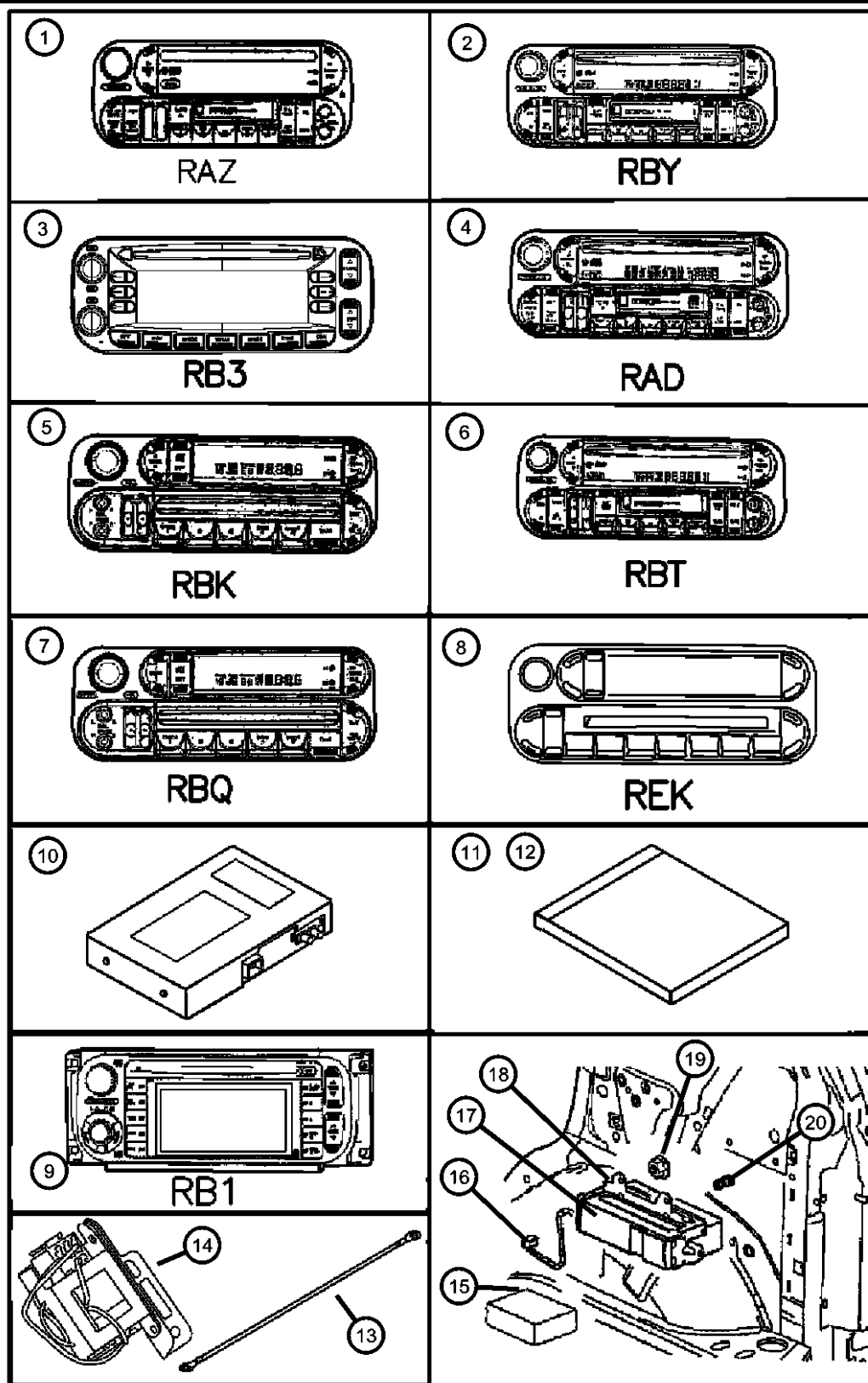
ENGINE  
EKG = 3.7L V6 Engine  
ENR = 2.8L 4 Cyl Turbo Diesel Engine  
ENJ = 2.5L 4 Cyl 16V Turbo Diesel Engine  
ED1 = 2.4L 4 Cyl DOHC 16v SMPI Engine

TRANSMISSION  
DG6 = 4-Spd. Automatic 42RLE Transmission  
DGV = 4-Spd. Automatic VLP Transmission  
DGQ = 5-Spd Automatic 5-45RFE Transmission  
DEH = 6-Speed Manual NSG370 Transmission  
DDD = 5-Speed HD Manual Transmission  
DDK = 5-Speed HD Manual Transmission

AR = use ase required - = Non illustrated part

2006 KJ

Radios  
Figure 08A-310



ITEM	PART NUMBER	QTY	LINE	SERIES	BODY	ENGINE	TRANS	TRIM	DESCRIPTION
15	04797433	1							MAGAZINE, CD Changer, [REM]
16									CABLE, CD Changer
	05073243AB	1			74				[REM]
	56050824AD	1	J, T						[REM]
	56050825AD	1	U						[REM]
17	56038616AA	1			74				CHANGER, CD
18	56038605AA	1							BRACKET, CD Changer
19	06100047	4							NUT AND WASHER, Hex Nut-Coned Washer, M6 x 1.00, [REM]
20	06503846	4							STUD, Single Ended, Knurled, Pilot Point, M6x1.00x20.00, Changer mounting
-21	56038763AB	1							BRACKET, Module
-22	05064022AP	1							MODULE, Telematics
-23									CABLE, Telematics Communication
	56047696AA	1							[RSA]
	56050826AD	1							[RSP]

LIBERTY (KJ)

SERIES LINE  
 H = HIGHLINE T = JEEP - 2WD  
 M = MEDIUM J = JEEP - 4WD  
 P = PREMIUM U = JEEP - 4WD (RHD)

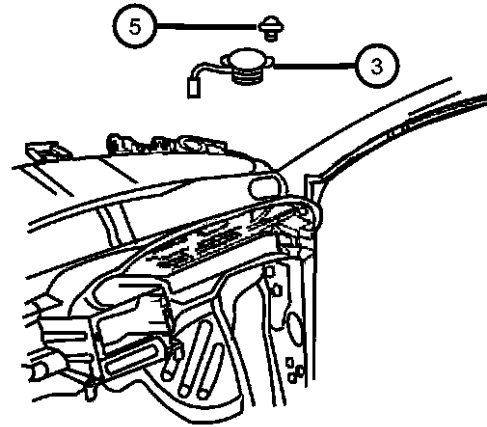
BODY  
 74 = SPORT UTILITY 4-DR

ENGINE TRANSMISSION  
 EKG = 3.7L V6 Engine DG6 = 4-Spd. Automatic 42RLE  
 ENR = 2.8L 4 Cyl Turbo Diesel Engine Transmission  
 ENJ = 2.5L 4 Cyl 16V Turbo Diesel Engine DGV = 4-Spd. Automatic VLP  
 ED1 = 2.4L 4 Cyl DOHC 16v SMPI Engine Transmission  
 DGQ = 5-Spd Automatic 5-45RFE  
 DEH = 6-Speed Manual NSG370 Transmission  
 DDD = 5-Speed HD Manual Transmission  
 DDK = 5-Speed HD Manual Transmission

AR = use ase required - = Non illustrated part

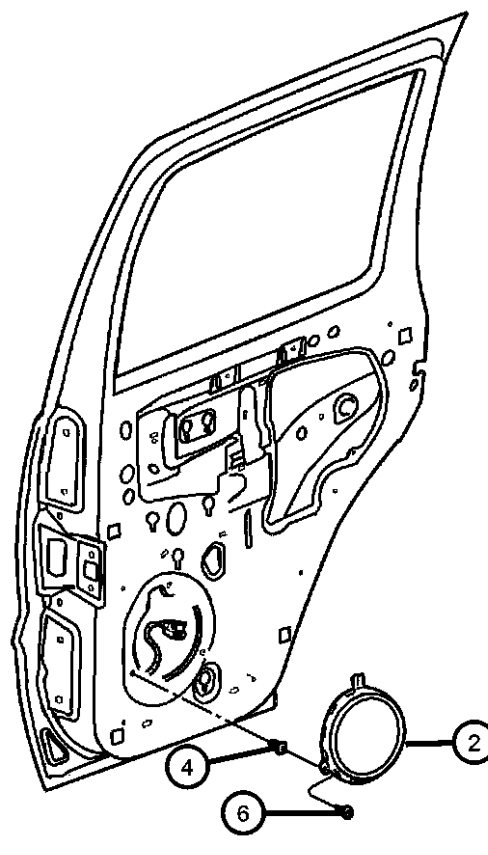
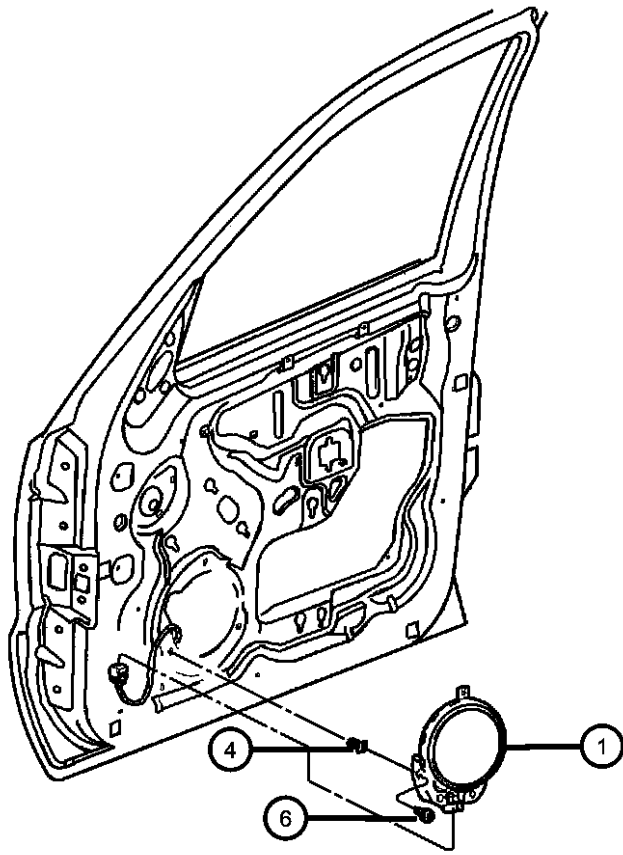
## Speakers Figure 08A-320

ITEM	PART NUMBER	QTY	LINE	SERIES	BODY	ENGINE	TRANS	TRIM	DESCRIPTION
------	-------------	-----	------	--------	------	--------	-------	------	-------------



Notes:  
 [RCG] = Speakers, Six  
 [RCJ] = Speakers, Six, Premium Infinity

1									SPEAKER, 6.5"
	05091020AB	2							[RCG], Front Door
	56038593AI	2							[RCJ], Front Door
2									SPEAKER, 6.5"
	05091020AB	2							[RCG], Rear Door
	56038800AB	2							[RCJ], Rear Door
3									SPEAKER, Tweeter
	56010666AC	2							[RCG]
	56038815AB	2							[RCJ]
4	06507009AA	6							NUT, Plastic Snap-in, Mounting, Door Speaker
5	06507009AA	6							SCREW, M4.2X1.70X15.00 (Door Speaker Mounting), (NOT SERVICED)
6	06507009AA	6							SCREW, 0.164-18X.750 (I/Panel Speaker Mounting), (NOT SERVICED)

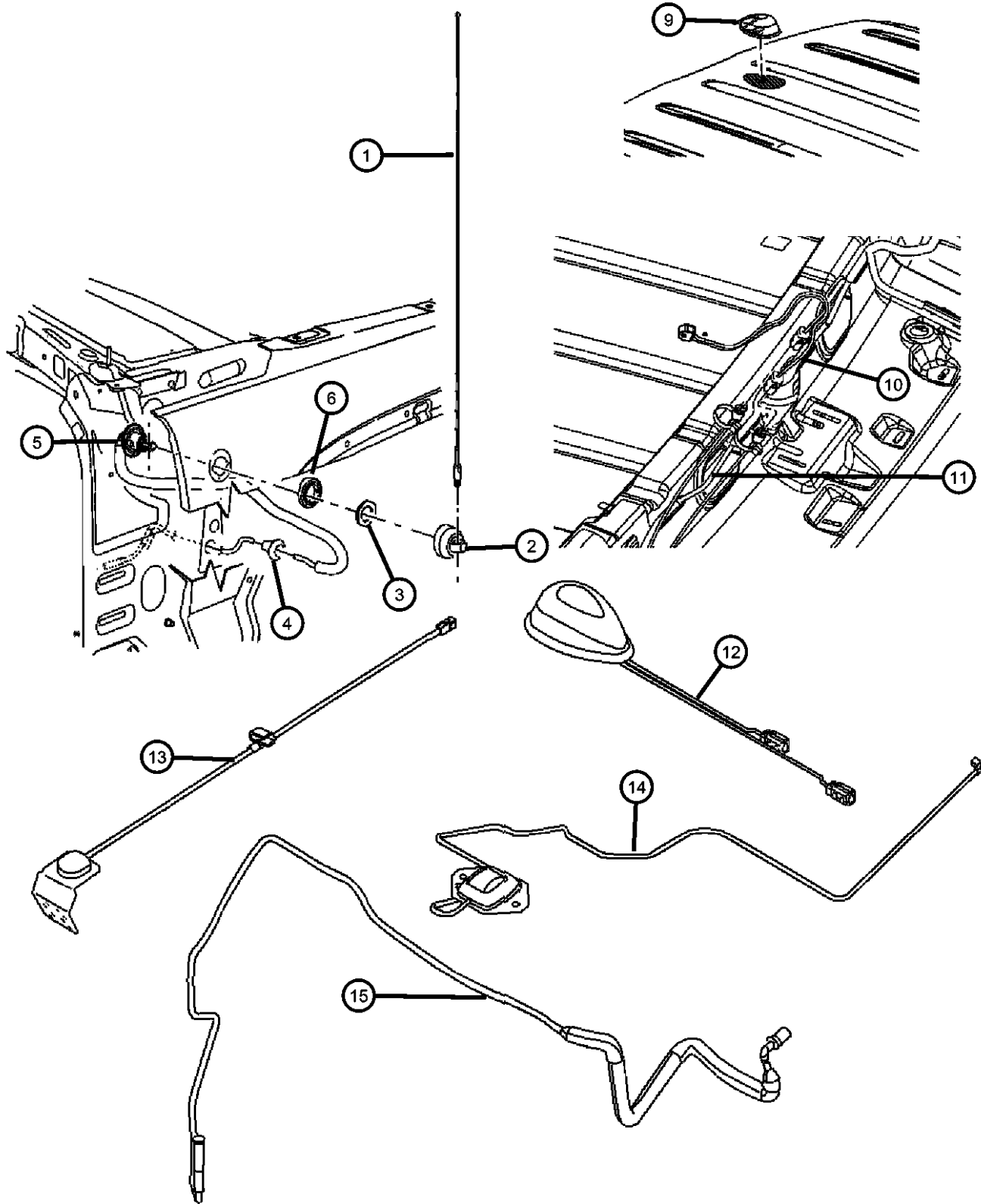


<b>LIBERTY (KJ)</b>			
SERIES	LINE	BODY	ENGINE
H = HIGHLINE	T = JEEP - 2WD	74 = SPORT UTILITY 4-DR	EKG = 3.7L V6 Engine
M = MEDIUM	J = JEEP - 4WD		ENR = 2.8L 4 Cyl Turbo Diesel Engine
P = PREMIUM	U = JEEP - 4WD (RHD)		ENJ = 2.5L 4 Cyl 16V Turbo Diesel Engine
			ED1 = 2.4L 4 Cyl DOHC 16v SMPI Engine
			TRANSMISSION
			DG6 = 4-Spd. Automatic 42RLE Transmission
			DGV = 4-Spd. Automatic VLP Transmission
			DGQ = 5-Spd Automatic 5-45RFE Transmission
			DEH = 6-Speed Manual NSG370 Transmission
			DDD = 5-Speed HD Manual Transmission
			DDK = 5-Speed HD Manual Transmission

AR = use ase required - = Non illustrated part



**Antenna  
Figure 08A-330**



ITEM	PART NUMBER	QTY	LINE	SERIES	BODY	ENGINE	TRANS	TRIM	DESCRIPTION
------	-------------	-----	------	--------	------	--------	-------	------	-------------

NOTES:  
Sales Codes:  
[RB1] = AM/FM,CD,GPS Navigation  
[RB3] = AM/FM,CD,GPS,Navigation  
[RDL] = Antenna- Integrated in Rear Window  
[RSA] = Sirius Satellite Radio

1	56038545AE	1							MAST, Antenna
2	56038523AA	1							COVER, Antenna Opening
3	56038581AA	1							NUT
4	56038581AA	1							GROMMET, Serviced with Cable Base Assembly with Lead, (NOT SERVICED)
5									ANTENNA
	56038526AF	1							[RDD]
	56038527AE	1							[RDL]
6	56038580AB	1							ADAPTER, Antenna
-7	04780615AB	2							PLUG, Body, .75 Diameter
-8	04780615AB	2							SCREW, (NOT SERVICED)
9	05066205AC	1							ANTENNA, Satellite
10	05026097AB	1							ANTENNA, Keyless Entry
11	56038804AC	1							CABLE, Antenna
12	05150048AA	1							ANTENNA, Satellite
13									ANTENNA, Global Positioning
	56040794AA	1							[RB3]
	56040796AA	1							[RB1]
14	05066205AC	1							ANTENNA, Satellite
15									CABLE, Antenna
	56038559AG	1							Radio to cowl
	56038575AG	1							Antenna module to cowl
	56038576AG	1							Radio to cowl RHD

**LIBERTY (KJ)**

SERIES      LINE  
H = HIGHLINE    T = JEEP - 2WD  
M = MEDIUM     J = JEEP - 4WD  
P = PREMIUM    U = JEEP - 4WD (RHD)

BODY  
74 = SPORT UTILITY 4-DR

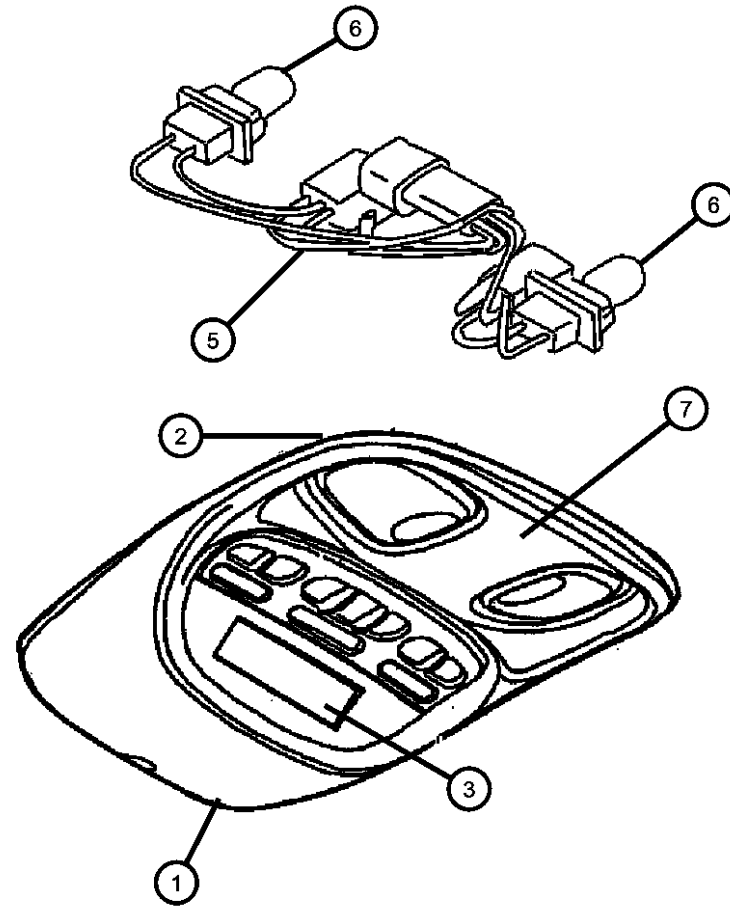
ENGINE  
EKG = 3.7L V6 Engine  
ENR = 2.8L 4 Cyl Turbo Diesel Engine  
ENJ = 2.5L 4 Cyl 16V Turbo Diesel Engine  
ED1 = 2.4L 4 Cyl DOHC 16v SMPI Engine

TRANSMISSION  
DG6 = 4-Spd. Automatic 42RLE Transmission  
DGV = 4-Spd. Automatic VLP Transmission  
DGQ = 5-Spd Automatic 5-45RFE Transmission  
DEH = 6-Speed Manual NSG370 Transmission  
DDD = 5-Speed HD Manual Transmission  
DDK = 5-Speed HD Manual Transmission

AR = use ase required    - = Non illustrated part

2006 KJ

Console, Overhead  
Figure 08A-410



ITEM	PART NUMBER	QTY	LINE	SERIES	BODY	ENGINE	TRANS	TRIM	DESCRIPTION
1	1AU40BD1AA	1	J, T						HOUSING, Overhead Console [GWA]
	1BZ08BD1AA	1	J, U						[GWA]
2	05072348AA	1	J, T						RETAINER, Overhead Console
3	56010520AD	1	J, T						MODULE, Overhead Console [AHM]
	56010527AD	1	J, U						
-4	5GV82BD1AG	1	J, U						MODULE, Intrusion
5	04760644	1	J, T						WIRING, Overhead Console
	05166454AA	1	J, T						With bulb and sockets
		1	J, U						With bulb and sockets
6	L0000192	2	J, T						BULB, 192
		2	J, U						
7	0WT01BD1AA	1	J, T						LAMP, Reading
		1	J, U						
-8	L0021202	2	J, T						BULB, 212-2
		2	J, U						
-9	1BN48BD1AA	1	J, T						SWITCH, Sunroof
		1	J, U						
-10	56010331AB	1	J, U						RETAINER, Electronic Module
-11									LAMP, Message Center

LIBERTY (KJ)

SERIES      LINE  
H = HIGHLINE    T = JEEP - 2WD  
M = MEDIUM     J = JEEP - 4WD  
P = PREMIUM    U = JEEP - 4WD (RHD)

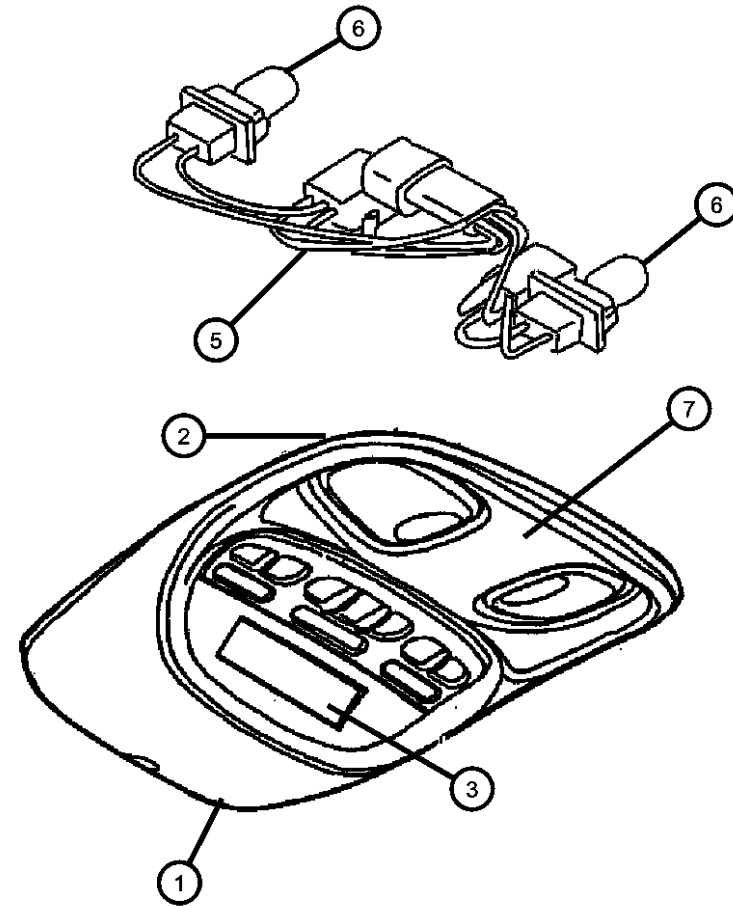
BODY  
74 = SPORT UTILITY 4-DR

ENGINE      TRANSMISSION  
EKG = 3.7L V6 Engine      DG6 = 4-Spd. Automatic 42RLE  
ENR = 2.8L 4 Cyl Turbo Diesel      Transmission  
Engine      DGV = 4-Spd. Automatic VLP  
ENJ = 2.5L 4 Cyl 16V Turbo      Transmission  
Diesel Engine      DGQ = 5-Spd Automatic 5-45RFE  
ED1 = 2.4L 4 Cyl DOHC 16v      Transmission  
SMPI Engine      DEH = 6-Speed Manual NSG370  
Transmission  
DDD = 5-Speed HD Manual  
Transmission  
DDK = 5-Speed HD Manual  
Transmission

AR = use ase required - = Non illustrated part

2006 KJ

Console, Overhead  
Figure 08A-410



ITEM	PART NUMBER	QTY	LINE	SERIES	BODY	ENGINE	TRANS	TRIM	DESCRIPTION
	04437661	3	J, T						
		3	J, U						
-12	05012882AA	1	J, T						LENS, Message Center
		1	J, U						

LIBERTY (KJ)

SERIES      LINE  
H = HIGHLINE    T = JEEP - 2WD  
M = MEDIUM      J = JEEP - 4WD  
P = PREMIUM      U = JEEP - 4WD (RHD)

BODY  
74 = SPORT UTILITY 4-DR

ENGINE  
EKG = 3.7L V6 Engine  
ENR = 2.8L 4 Cyl Turbo Diesel Engine  
ENJ = 2.5L 4 Cyl 16V Turbo Diesel Engine  
ED1 = 2.4L 4 Cyl DOHC 16v SMPI Engine

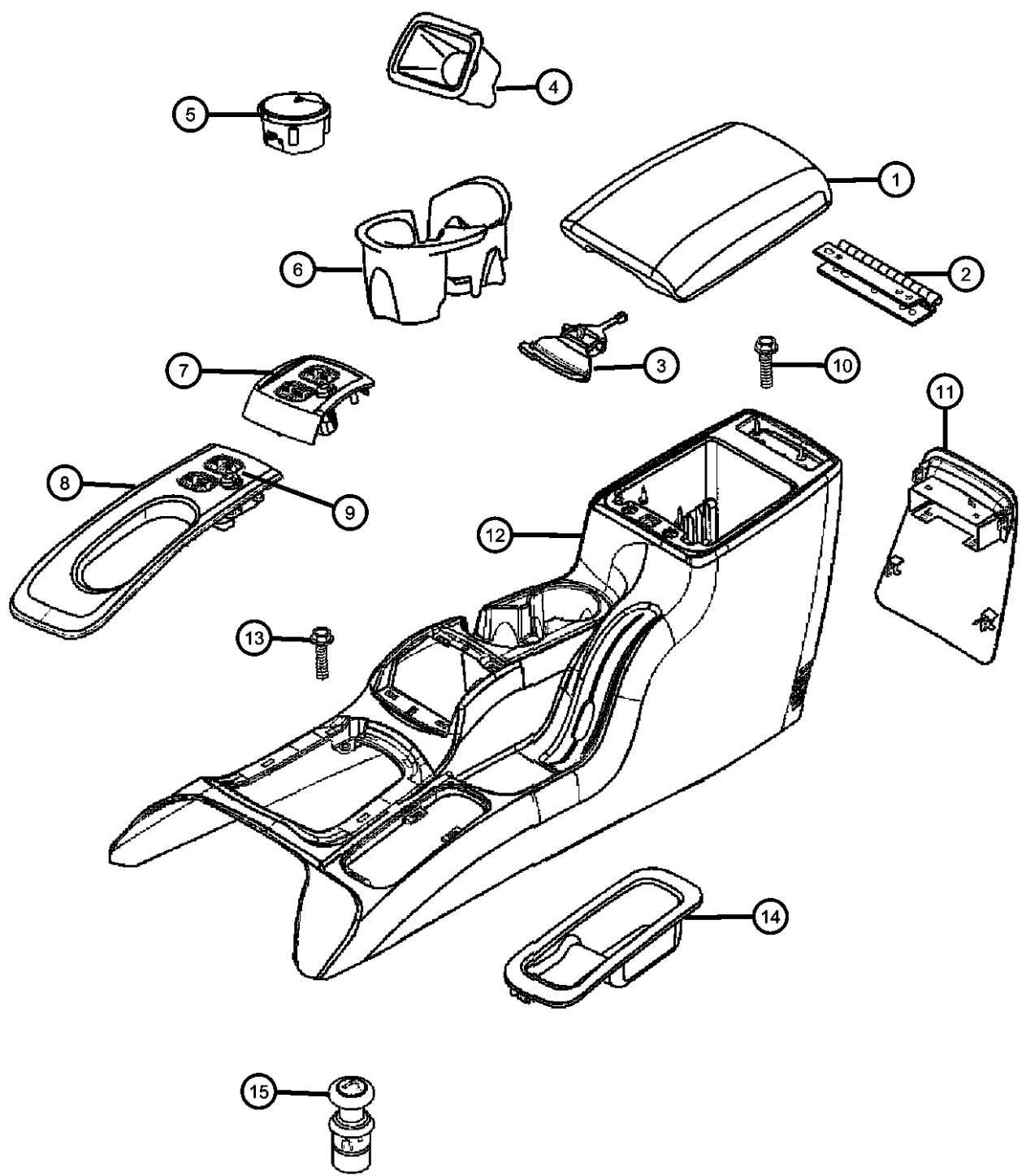
TRANSMISSION  
DG6 = 4-Spd. Automatic 42RLE Transmission  
DGV = 4-Spd. Automatic VLP Transmission  
DGQ = 5-Spd Automatic 5-45RFE Transmission  
DEH = 6-Speed Manual NSG370 Transmission  
DDD = 5-Speed HD Manual Transmission  
DDK = 5-Speed HD Manual Transmission

AR = use ase required - = Non illustrated part

2006 KJ

Console, Floor  
Figure 08A-420

ITEM	PART NUMBER	QTY	LINE	SERIES	BODY	ENGINE	TRANS	TRIM	DESCRIPTION
1	0WD591DHAB	1					DBB	[D5]	LID, Floor Console Bin
		1					DBB	[DB]	
		1					DG0	[D5]	
		1					DG0	[DB]	
	0WD591J8AB	1					DBB	[J1]	
		1					DBB	[J3]	
2	05072906AA	1					DBB		HINGE, Floor Console Lid
		1					DG0		
3	05072905AA	1					DBB		LATCH, Console Lock
		1					DG0		
4	05142485AA	1					DBB		BIN, Floor Console
		1					DG0		
5	55116979AB	1							ASH RECEIVER, Floor Console
6	05142484AB	1					DBB		CUPHOLDER, Floor Console
		1					DG0		
7	5KC69DX9AA	1					DBB		BEZEL, Gear Selector
8	5KC57DX9AA	1		H			DG0		BEZEL, Gear Selector
	5KC58AAAAA	1		M			DG0		
	5KC59XZAAA	1		P			DG0		
9	56054002AA	1					DBB		SWITCH, Power Window, Power Window Master
10	56054002AA	1							SCREW, Hex Flange Head, M4.2x1.70x16.00, (NOT SERVICED)
11									BEZEL, Power Window Switch



LIBERTY (KJ)

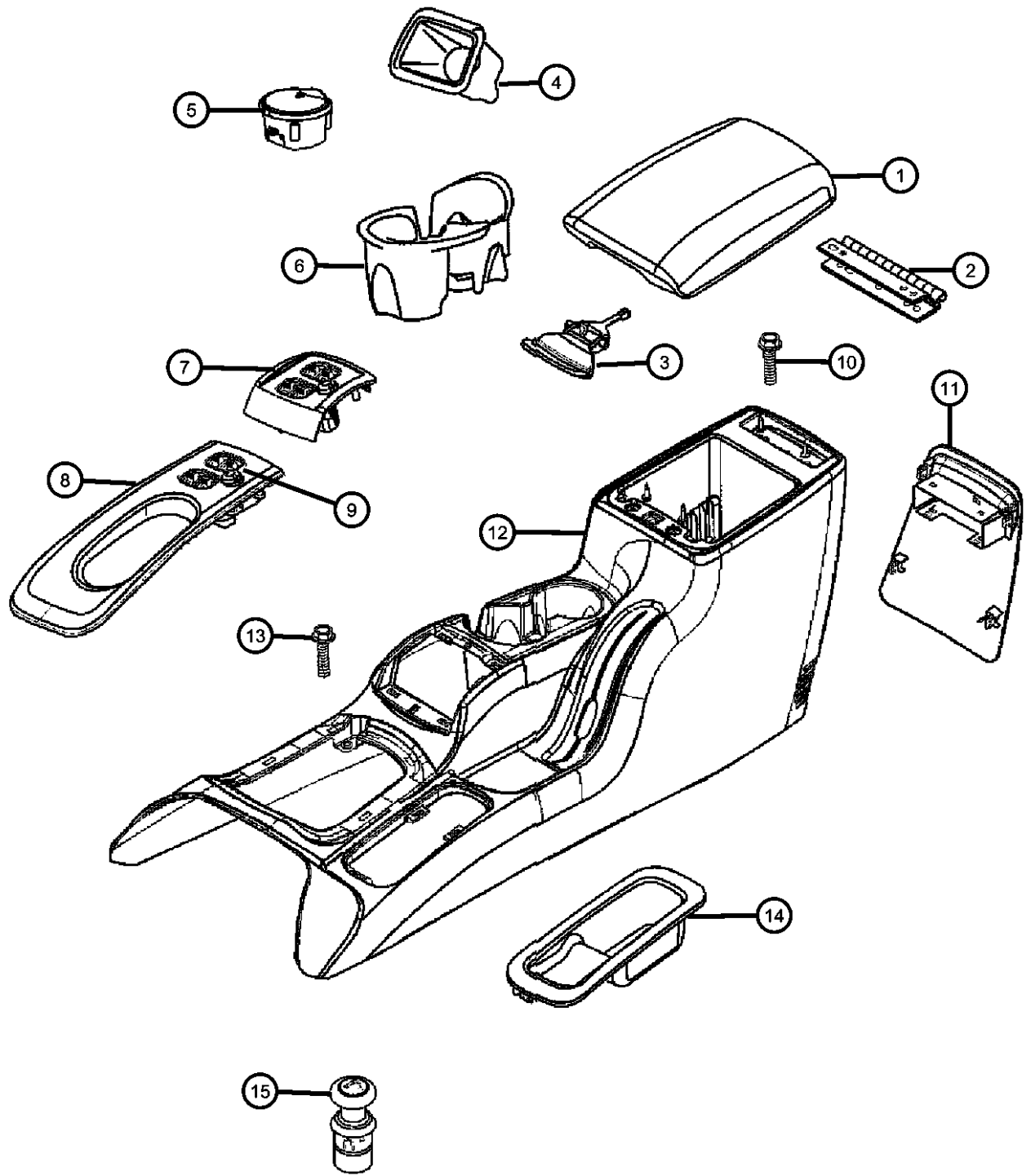
SERIES LINE  
 H = HIGHLINE T = JEEP - 2WD  
 M = MEDIUM J = JEEP - 4WD  
 P = PREMIUM U = JEEP - 4WD (RHD)

BODY  
 74 = SPORT UTILITY 4-DR

ENGINE TRANSMISSION  
 EKG = 3.7L V6 Engine DG6 = 4-Spd. Automatic 42RLE  
 ENR = 2.8L 4 Cyl Turbo Diesel Transmission  
 Engine DGV = 4-Spd. Automatic VLP  
 ENJ = 2.5L 4 Cyl 16V Turbo Transmission  
 Diesel Engine DGQ = 5-Spd Automatic 5-45RFE  
 ED1 = 2.4L 4 Cyl DOHC 16v Transmission  
 SMPI Engine DEH = 6-Speed Manual NSG370  
 Transmission  
 DDD = 5-Speed HD Manual  
 Transmission  
 DDK = 5-Speed HD Manual  
 Transmission

AR = use ase required - = Non illustrated part

Console, Floor  
Figure 08A-420



ITEM	PART NUMBER	QTY	LINE	SERIES	BODY	ENGINE	TRANS	TRIM	DESCRIPTION
	0WA64XD-HAB	1							[D5]
	0WA64ZJ8AB	1							[DB]
	0WA64ZJ8AB	1							[J1]
	0WA64ZJ8AB	1							[J3]
12	1AZ411DHAB	1					DBB		CONSOLE, Base
	1AZ411DHAB	1					DBB		[D5]
	1AZ411J8AB	1					DBB		[DB]
	1AZ411J8AB	1					DBB		[J1]
	1AZ411J8AB	1					DBB		[J3]
	1BA081DHAB	1					DG0		[D5]
	1BA081DHAB	1					DG0		[DB]
	1BA081J8AB	1					DG0		[J1]
	1BA081J8AB	1					DG0		[J3]
13	06101945	4							SCREW Console To Floor
14	5GG16DX9AC	1	T						COVER, Floor Console
15	04685536	1							KNOB AND ELEMENT, Cigar Lighter
-16	06034833	1					DBB		CLIP, Push, .164-7.5
	06034833	1					DG0		
-17	05072907AB	1					DBB		BRACKET, Floor Console
	05072907AB	1					DG0		

LIBERTY (KJ)

SERIES      LINE  
H = HIGHLINE      T = JEEP - 2WD  
M = MEDIUM      J = JEEP - 4WD  
P = PREMIUM      U = JEEP - 4WD (RHD)

BODY  
74 = SPORT UTILITY 4-DR

ENGINE  
EKG = 3.7L V6 Engine  
ENR = 2.8L 4 Cyl Turbo Diesel  
Engine  
ENJ = 2.5L 4 Cyl 16V Turbo  
Diesel Engine  
ED1 = 2.4L 4 Cyl DOHC 16v  
SMPI Engine

TRANSMISSION  
DG6 = 4-Spd. Automatic 42RLE  
Transmission  
DGV = 4-Spd. Automatic VLP  
Transmission  
DGQ = 5-Spd Automatic 5-45RFE  
Transmission  
DEH = 6-Speed Manual NSG370  
Transmission  
DDD = 5-Speed HD Manual  
Transmission  
DDK = 5-Speed HD Manual  
Transmission

AR = use ase required - = Non illustrated part

# Group - 9

## Engine Mounting

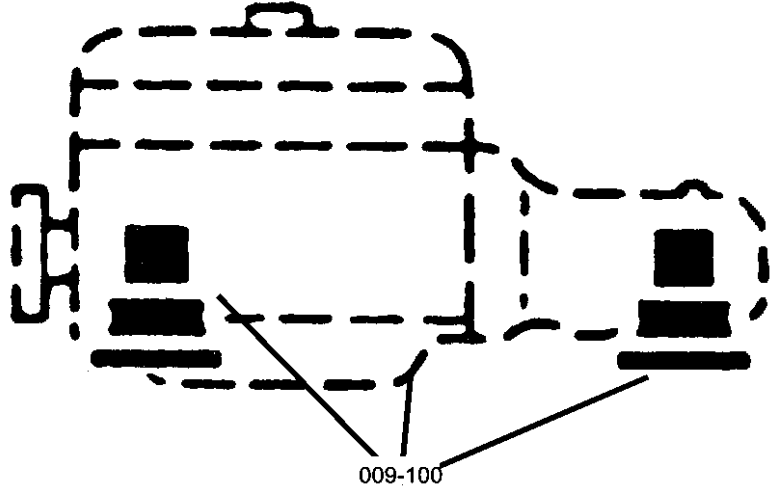
### Group - 9 Engine Mounting

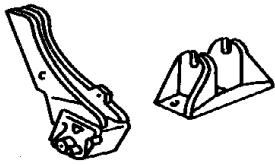
Illustration Title

Group-Fig. No.

#### Engine Mounting

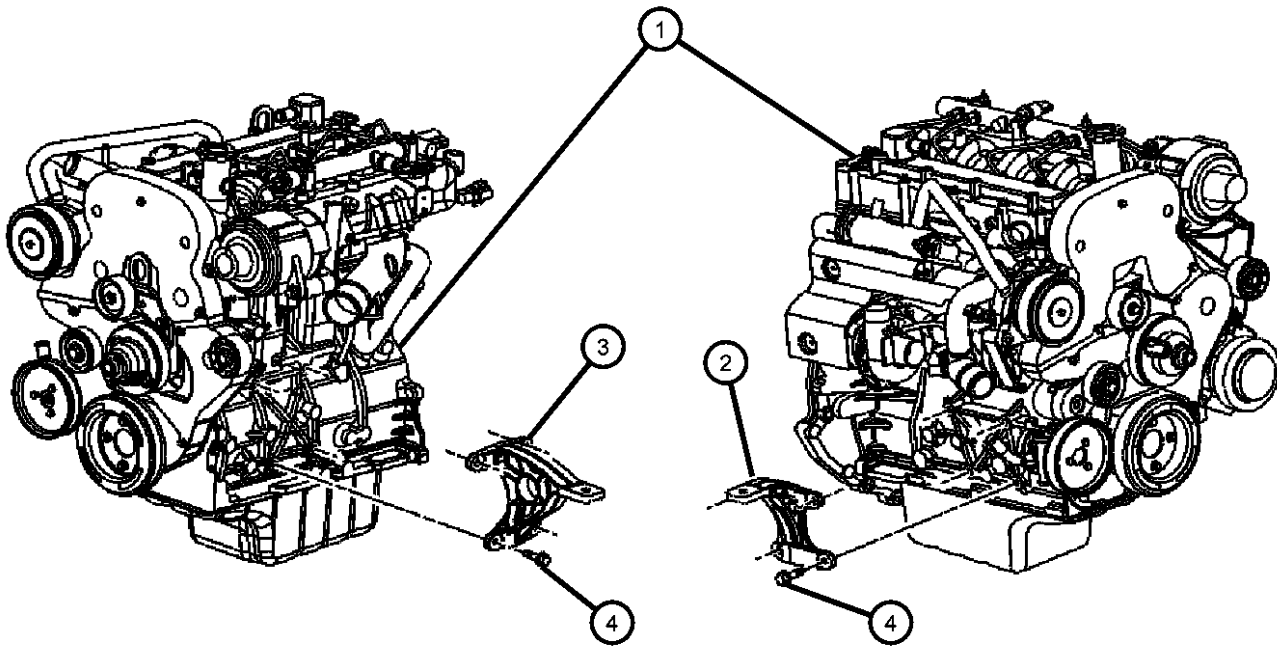
Mounts, Front..... Fig. 9 - 110  
 Mounts, Front..... Fig. 9 - 120  
 Front Mounts to Cradle ..... Fig. 9 - 130  
 Mount, Transmission..... Fig. 9 - 140  
 Mount, Transmission..... Fig. 9 - 150  
 Crossmember, Transmission Support ..... Fig. 9 - 160



<p><b>009-100</b> Engine Mounting</p> 			
--	--	--	--

**Mounts, Front  
Figure 9-110**

ITEM	PART NUMBER	QTY	LINE	SERIES	BODY	ENGINE	TRANS	TRIM	DESCRIPTION
NOTE: Sales Codes: [EK0]=All 3.7L V-6 Engines [EN0]=All 4/5 Cylinder Turbo Diesel Engines									
1		1							ENGINE, Complete, See Engine Group, (NOT SERVICED)
2	52129014AC	1				EN0			INSULATOR, Engine MountRight
3	52129015AC	1				EN0			INSULATOR, Engine MountLeft
4	06503699	8				EK0, EN0			SCREW AND WASHER, Hex Head, M10x1.5x28
5	52129374AC	1	J, U			EN0			INSULATOR, Engine Mount



**LIBERTY (KJ)**

SERIES      LINE  
H = HIGHLINE    T = JEEP - 2WD  
M = MEDIUM     J = JEEP - 4WD  
P = PREMIUM    U = JEEP - 4WD (RHD)

BODY  
74 = SPORT UTILITY 4-DR

ENGINE      TRANSMISSION  
EKG = 3.7L V6 Engine      DG6 = 4-Spd. Automatic 42RLE  
ENR = 2.8L 4 Cyl Turbo Diesel      Transmission  
Engine      DGV = 4-Spd. Automatic VLP  
ENJ = 2.5L 4 Cyl 16V Turbo      Transmission  
Diesel Engine      DGQ = 5-Spd Automatic 5-45RFE  
ED1 = 2.4L 4 Cyl DOHC 16v      Transmission  
SMPI Engine      DEH = 6-Speed Manual NSG370  
Transmission  
DDD = 5-Speed HD Manual  
Transmission  
DDK = 5-Speed HD Manual  
Transmission

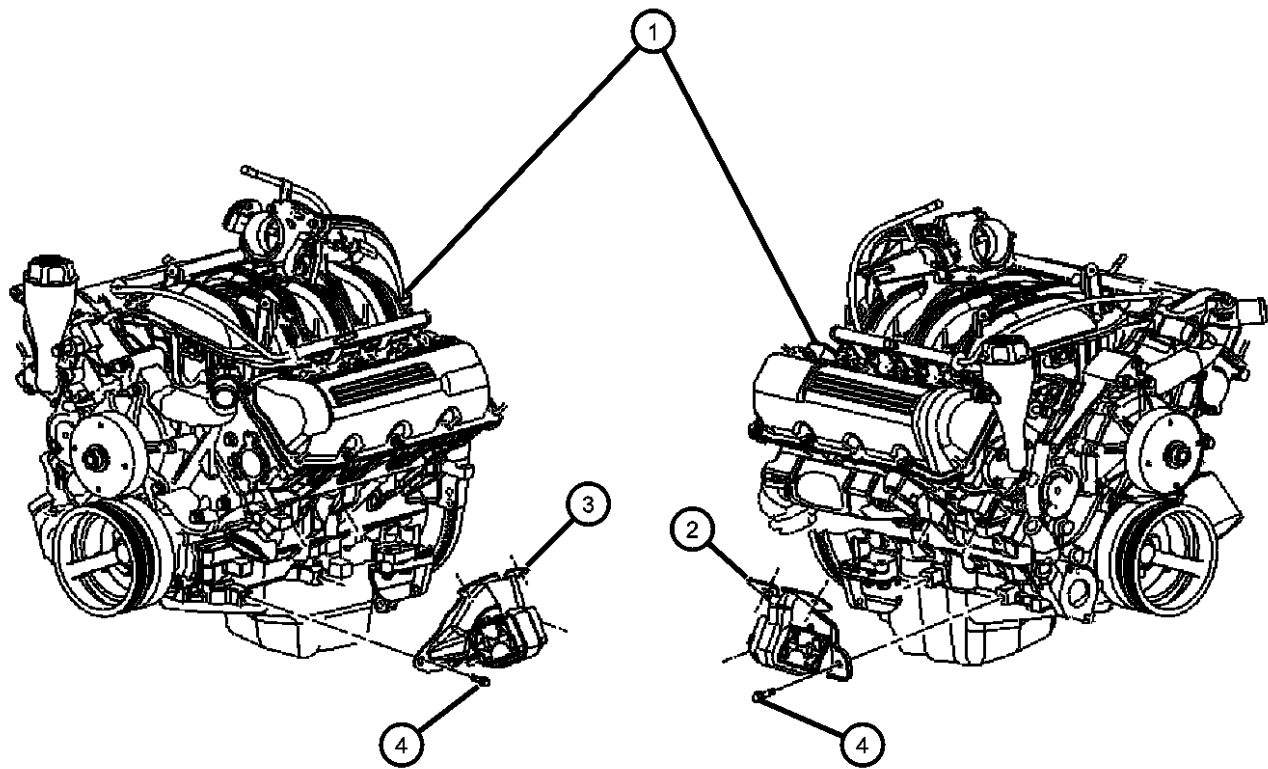
AR = use ase required - = Non illustrated part

**Mounts, Front  
Figure 9-120**

ITEM	PART NUMBER	QTY	LINE	SERIES	BODY	ENGINE	TRANS	TRIM	DESCRIPTION
------	-------------	-----	------	--------	------	--------	-------	------	-------------

NOTE:  
Sales Codes:  
[EK0]=All 3.7L V-6 Engines  
[EN0]=All 4/5 Cylinder Turbo Diesel Engines

1	52129374AC	1							ENGINE, Complete, See Engine Group, (NOT SERVICED)
2	52129268AD	1				EK0			INSULATOR, Engine MountRight
3	52129269AD	1				EK0			INSULATOR, Engine MountLeft
4	06503699	8				EK0, EN0			SCREW AND WASHER, Hex Head, M10x1.5x28



**LIBERTY (KJ)**

SERIES      LINE  
H = HIGHLINE    T = JEEP - 2WD  
M = MEDIUM     J = JEEP - 4WD  
P = PREMIUM    U = JEEP - 4WD (RHD)

BODY  
74 = SPORT UTILITY 4-DR

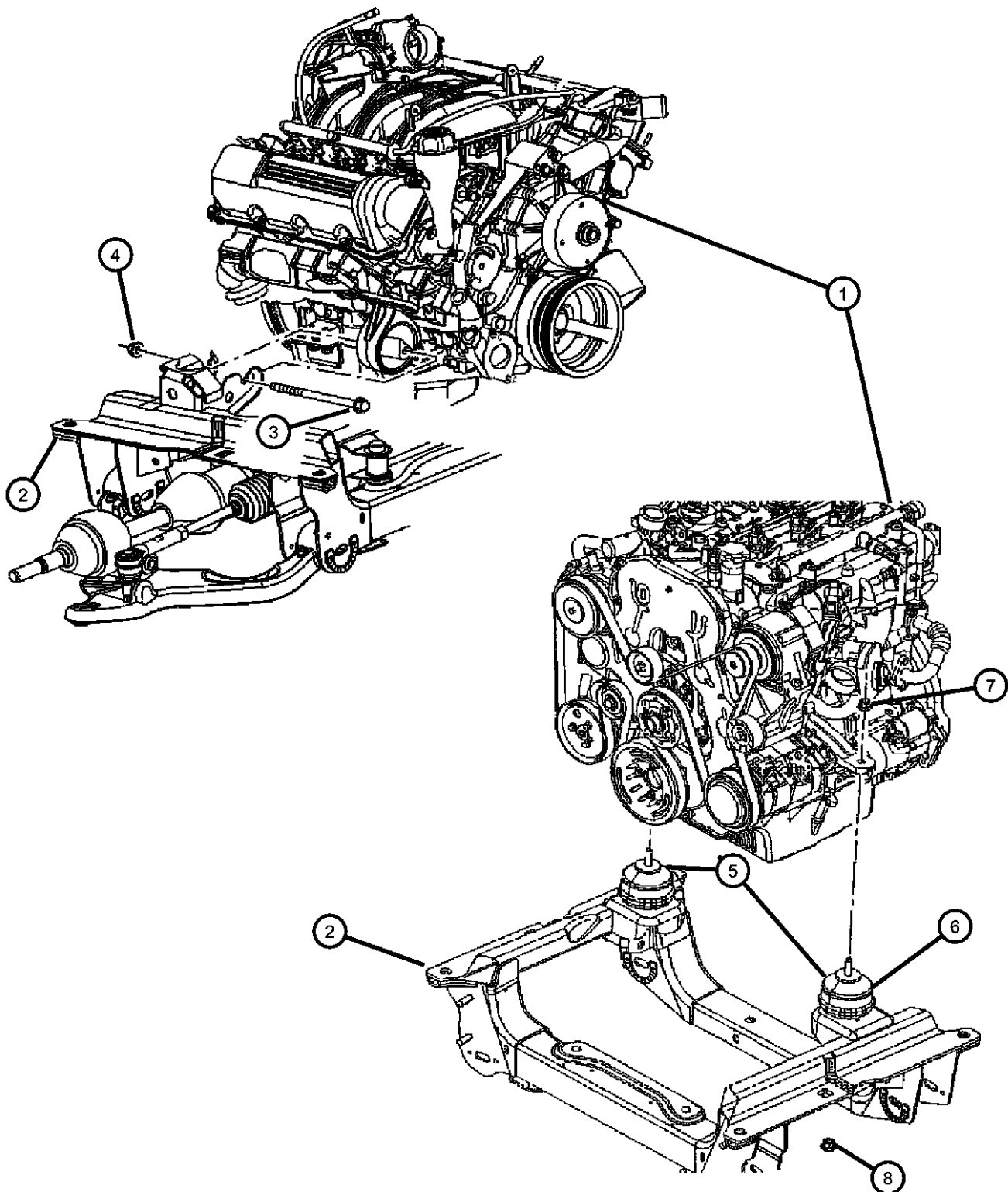
ENGINE      TRANSMISSION  
EKG = 3.7L V6 Engine      DG6 = 4-Spd. Automatic 42RLE  
ENR = 2.8L 4 Cyl Turbo Diesel      Transmission  
Engine      DGV = 4-Spd. Automatic VLP  
ENJ = 2.5L 4 Cyl 16V Turbo      Transmission  
Diesel Engine      DGQ = 5-Spd Automatic 5-45RFE  
ED1 = 2.4L 4 Cyl DOHC 16v      Transmission  
SMPI Engine      DEH = 6-Speed Manual NSG370  
Transmission  
DDD = 5-Speed HD Manual  
Transmission  
DDK = 5-Speed HD Manual  
Transmission

AR = use ase required - = Non illustrated part



Front Mounts to Cradle

Figure 9-130



ITEM	PART NUMBER	QTY	LINE	SERIES	BODY	ENGINE	TRANS	TRIM	DESCRIPTION
------	-------------	-----	------	--------	------	--------	-------	------	-------------

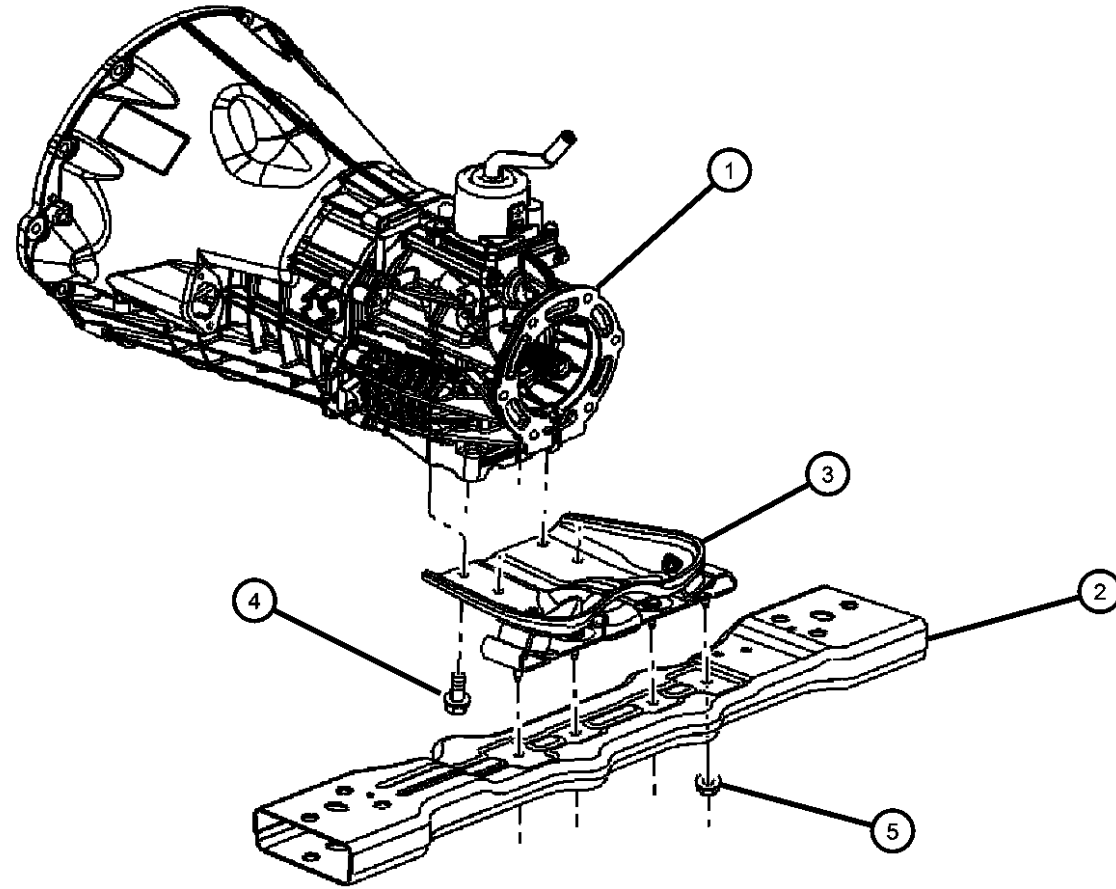
NOTE:  
 Sales Codes:  
 [ED0]=All 2.2L, 2.5L, 2.4L 4 Cylinder Gas Engines  
 [EK0]=All 3.7L V-6 Engines  
 [EN0]=All 4/5 Cylinder Turbo Diesel Engines

1	06503699	8							ENGINE, Complete, See Engine Group, (NOT SERVICED)
2	06503699	8							CRADLE, Front Suspension, See Group 002, (NOT SERVICED)
3	06507388AA	2				EK0			BOLT, Hex Head, Engine Mount to Clevis Bracket
4	06502697	2				ED0, EK0			NUT, Hex Flange Lock, M12x1.75, Insulator Assembly to Clevis
5	52129011AC	1	J, U			EN0			INSULATOR, Engine Mount
	52129374AB	1	J, U			EN0			Hydromount Assembly, except Domestic Market with Automatic Transmission, Right or Left
	52129374AB	1	J, U			EN0			Hydromount Assembly, with Heat Shield, for Domestic Market with Automatic Transmission, Right
6	52129011AC	1	J, U			EN0			INSULATOR, Engine Mount, Hydromount Assembly, for Domestic Market with Automatic Transmission, Left
7	06502697	1				EN0			NUT, Hex Flange Lock, M12x1.75, Hydromount to Hydro Bracket, Right or Left
8	06502835	2	J, U			EN0			NUT, Hex Flange, M12x1.75, Hydromount to Cradle

LIBERTY (KJ) SERIES	LINE	BODY	ENGINE	TRANSMISSION
H = HIGHLINE	T = JEEP - 2WD	74 = SPORT UTILITY 4-DR	EKG = 3.7L V6 Engine	DG6 = 4-Spd. Automatic 42RLE Transmission
M = MEDIUM	J = JEEP - 4WD		ENR = 2.8L 4 Cyl Turbo Diesel Engine	DGV = 4-Spd. Automatic VLP Transmission
P = PREMIUM	U = JEEP - 4WD (RHD)		ENJ = 2.5L 4 Cyl 16V Turbo Diesel Engine	DGQ = 5-Spd Automatic 5-45RFE Transmission
			ED1 = 2.4L 4 Cyl DOHC 16v SMPI Engine	DEH = 6-Speed Manual NSG370 Transmission
				DDD = 5-Speed HD Manual Transmission
				DDK = 5-Speed HD Manual Transmission

AR = use ase required - = Non illustrated part

**Mount, Transmission  
Figure 9-140**



ITEM	PART NUMBER	QTY	LINE	SERIES	BODY	ENGINE	TRANS	TRIM	DESCRIPTION
1	06502835	2							TRANSMISSION, 6 speed, See Group [NSG370], (NOT SERVICED)
2									CROSSMEMBER, Transmission
	52129089AE	1				EN0			
	52129090AC	1				EK0			
3									BRACKET AND INSULATOR, Transmission Support
	52129033AB	1				EK0	DBB		
	52129158AD	1				EN0	DBB		
4									SCREW AND WASHER, Hex Head, M10x1.5x28
	06503699	4	J, U			EN0			
		4	J, U			EK0			
		4	T			EK0	DBB		
5									NUT
	06104716AA	4				EN0			
		4				EK0	DBB		

**LIBERTY (KJ)**

SERIES      LINE  
H = HIGHLINE    T = JEEP - 2WD  
M = MEDIUM     J = JEEP - 4WD  
P = PREMIUM    U = JEEP - 4WD (RHD)

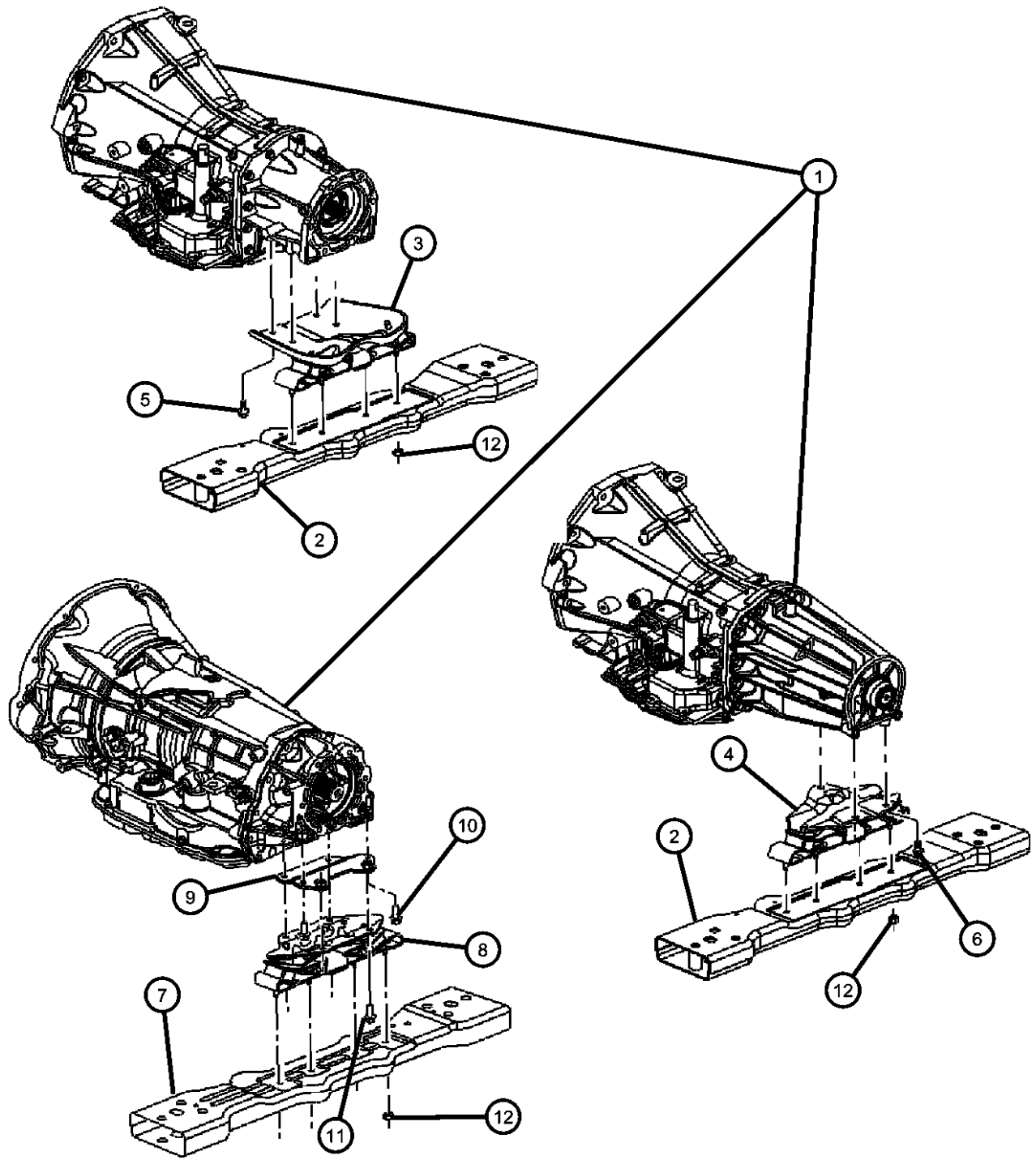
BODY  
74 = SPORT UTILITY 4-DR

ENGINE  
EKG = 3.7L V6 Engine  
ENR = 2.8L 4 Cyl Turbo Diesel  
Engine  
ENJ = 2.5L 4 Cyl 16V Turbo  
Diesel Engine  
ED1 = 2.4L 4 Cyl DOHC 16v  
SMPI Engine

TRANSMISSION  
DG6 = 4-Spd. Automatic 42RLE  
Transmission  
DGV = 4-Spd. Automatic VLP  
Transmission  
DGQ = 5-Spd Automatic 5-45RFE  
Transmission  
DEH = 6-Speed Manual NSG370  
Transmission  
DDD = 5-Speed HD Manual  
Transmission  
DDK = 5-Speed HD Manual  
Transmission

AR = use ase required    - = Non illustrated part

**Mount, Transmission  
Figure 9-150**



ITEM	PART NUMBER	QTY	LINE	SERIES	BODY	ENGINE	TRANS	TRIM	DESCRIPTION
------	-------------	-----	------	--------	------	--------	-------	------	-------------

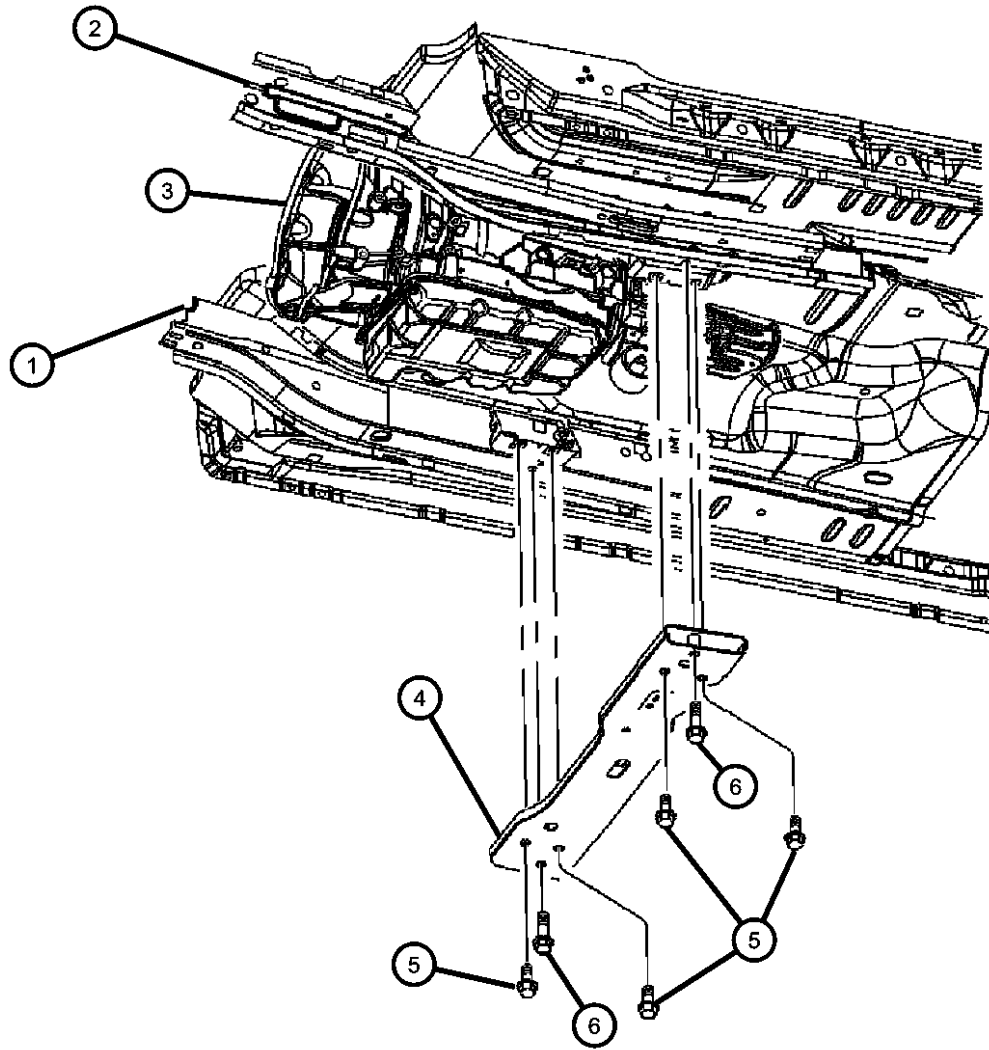
NOTE:  
Sales Codes:  
[DBB]=All Manual Transmissions  
[DG0]=All Automatic Transmissions  
[DGQ]=5 speed Automatic [5-45RFE] Transmission  
[EK0]=All 3.7L V-6 Engines  
[EN0]=All 4/5 Cylinder Turbo Diesel Engines

1		4							TRANSMISSION, Automatic, See Transmission Group, (NOT SERVICED)
2	52129090AC	1				EK0			CROSSMEMBER, Transmission
3	52125136AC	1	J, U			EK0	DG0		BRACKET AND INSULATOR, Transmission Support
4	52129040AB	1	T			EK0	DG0		BRACKET AND INSULATOR, Transmission Support
5	06503699	4	J, U			EK0			SCREW AND WASHER, Hex Head, M10x1.5x28
6	06503699	4	T			EK0	DBB, DG0		SCREW AND WASHER, Hex Head, M10x1.5x28
7	52129089AE	1				EN0			CROSSMEMBER, Transmission
8	52129170AE	1				EN0	DGQ		BRACKET AND INSULATOR, Transmission Support
9	52129307AB	1				EN0	DGQ		PLATE, Transmission Mount
10	06503699	2	J, U			EN0			SCREW AND WASHER, Hex Head, M10x1.5x28, Support Plate to Transmission
11	06503699	4	J, U			EN0			SCREW AND WASHER, Hex Head, M10x1.5x28, Transmission Mount to Support Plate
12									NUT
	06104716AA	4				EN0			
		4				EK0	DBB, DG0		

<b>LIBERTY (KJ)</b>				
SERIES	LINE	BODY	ENGINE	TRANSMISSION
H = HIGHLINE	T = JEEP - 2WD	74 = SPORT UTILITY 4-DR	EKG = 3.7L V6 Engine	DG6 = 4-Spd. Automatic 42RLE Transmission
M = MEDIUM	J = JEEP - 4WD		ENR = 2.8L 4 Cyl Turbo Diesel Engine	DGV = 4-Spd. Automatic VLP Transmission
P = PREMIUM	U = JEEP - 4WD (RHD)		ENJ = 2.5L 4 Cyl 16V Turbo Diesel Engine	DGQ = 5-Spd Automatic 5-45RFE Transmission
			ED1 = 2.4L 4 Cyl DOHC 16v SMPI Engine	DEH = 6-Speed Manual NSG370 Transmission
				DDD = 5-Speed HD Manual Transmission
				DDK = 5-Speed HD Manual Transmission

AR = use ase required - = Non illustrated part

**Crossmember, Transmission Support  
Figure 9-160**



ITEM	PART NUMBER	QTY	LINE	SERIES	BODY	ENGINE	TRANS	TRIM	DESCRIPTION
------	-------------	-----	------	--------	------	--------	-------	------	-------------

NOTE:  
Sales Codes:  
[EK0]=All 3.7L V-6 Engines  
[EN0]=All 4/5 Cylinder Turbo Diesel Engines

1		4							RAIL, Front Right, See Group [SKJ], (NOT SERVICED)
2		4							RAIL, Front Left, See Group [SKJ], (NOT SERVICED)
3		4							TRANSMISSION, See Transmission Group, (NOT SERVICED)
4									CROSSMEMBER, Transmission
	52129089AE	1				EN0			
	52129090AC	1				EK0			
5	06508299AA	4							SCREW, Inner Rail to Crossmember
6	06508298AA	2							SCREW, Crossmember to Sill Outboard

**LIBERTY (KJ)**

SERIES      LINE  
H = HIGHLINE    T = JEEP - 2WD  
M = MEDIUM     J = JEEP - 4WD  
P = PREMIUM    U = JEEP - 4WD (RHD)

BODY  
74 = SPORT UTILITY 4-DR

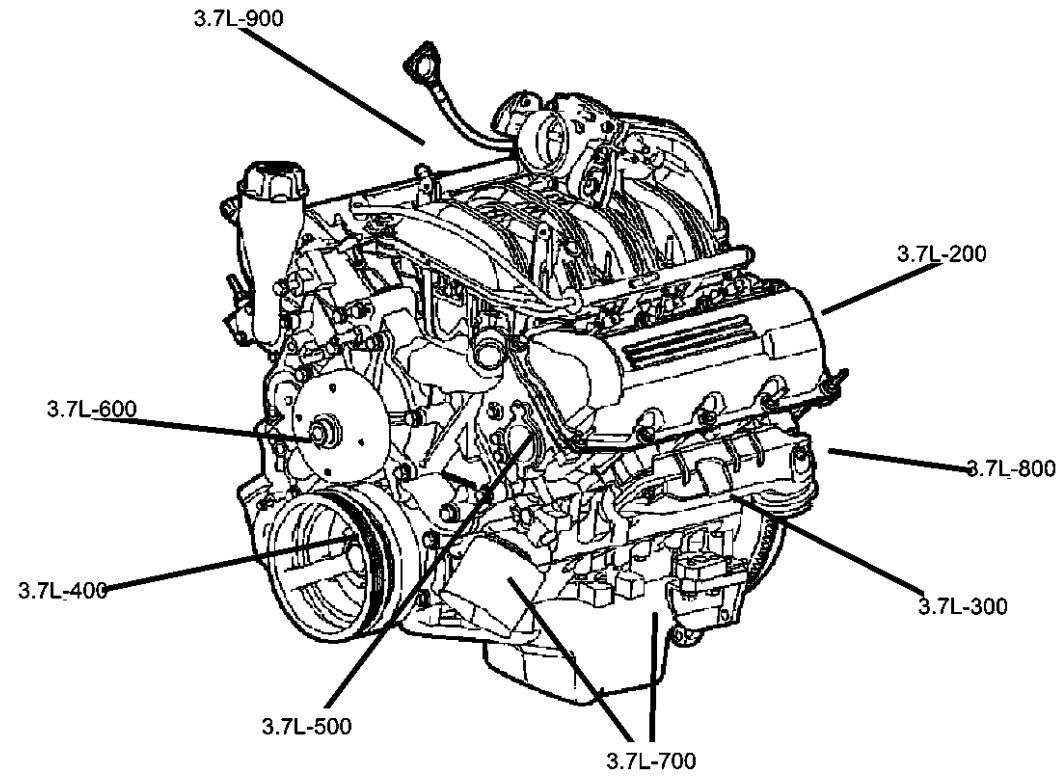
ENGINE      TRANSMISSION  
EKG = 3.7L V6 Engine      DG6 = 4-Spd. Automatic 42RLE  
ENR = 2.8L 4 Cyl Turbo Diesel Engine      Transmission  
ENJ = 2.5L 4 Cyl 16V Turbo Diesel Engine      DGV = 4-Spd. Automatic VLP  
ED1 = 2.4L 4 Cyl DOHC 16v SMPI Engine      DGQ = 5-Spd Automatic 5-45RFE  
Transmission  
DEH = 6-Speed Manual NSG370 Transmission  
DDD = 5-Speed HD Manual Transmission  
DDK = 5-Speed HD Manual Transmission

AR = use ase required - = Non illustrated part

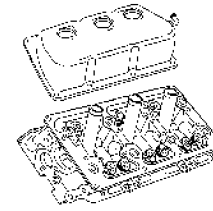
2006 KJ

# Group - 3.7L

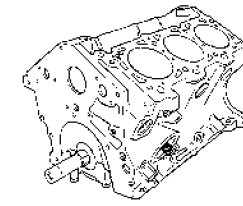
## Engine 3.7L Six Cylinder



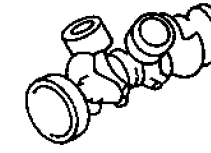
**3.7L-200**  
Cylinder Head



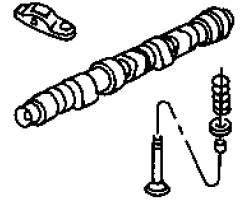
**3.7L-300**  
Cylinder Block



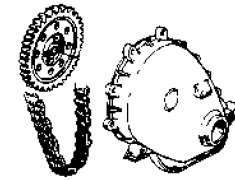
**3.7L-400**  
Crankshaft, Piston and Torque Converter



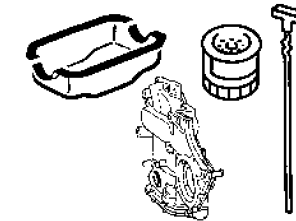
**3.7L-500**  
Camshafts & Valves



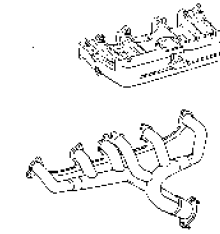
**3.7L-600**  
Timing Belt and Cover



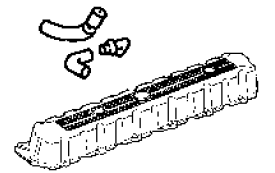
**3.7L-700**  
Engine Oiling



**3.7L-800**  
Manifolds



**3.7L-900**  
Crankcase Ventilation



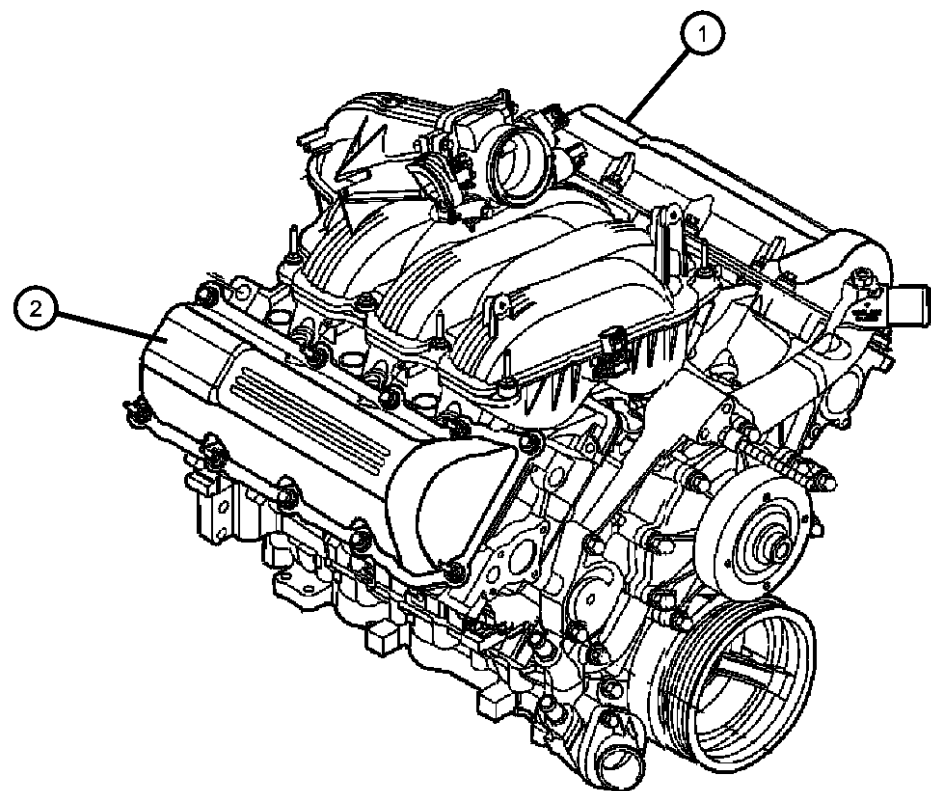
---

## Group - 3.7L Engine 3.7L Six Cylinder

Illustration Title	Group-Fig. No.
<b>Cylinder Head</b>	
Engine Assembly 3.7L [EKG] .....	Fig. 3.7L - 205
Cylinder Head 3.7L [EKG] .....	Fig. 3.7L - 210
<b>Cylinder Block</b>	
Engine Block, 3.7L [EKG] .....	Fig. 3.7L - 305
<b>Crankshaft, Piston and Torque Converter</b>	
Crankshaft, Pistons and Flywheel, 3.7L [EKG] .....	Fig. 3.7L - 405
<b>Camshafts &amp; Valves</b>	
Camshaft And Valves, 3.7L [EKG] .....	Fig. 3.7L - 505
<b>Timing Belt and Cover</b>	
Timing Cover, 3.7L [EKG] .....	Fig. 3.7L - 605
Timing Chain and Guides, 3.7L [EKG] .....	Fig. 3.7L - 610
<b>Engine Oiling</b>	
Engine Oiling, 3.7L [EKG] .....	Fig. 3.7L - 705
Engine Oil Splash Guard 3.7L [EKG] .....	Fig. 3.7L - 710
<b>Manifolds</b>	
Manifolds, Intake and Exhaust, 3.7L [EKG] .....	Fig. 3.7L - 805
<b>Crankcase Ventilation</b>	
Crankcase Ventilation 3.7L [EKG] .....	Fig. 3.7L - 905

**Engine Assembly 3.7L [EKG]  
Figure 3.7L-205**

ITEM	PART NUMBER	QTY	LINE	SERIES	BODY	ENGINE	TRANS	TRIM	DESCRIPTION
------	-------------	-----	------	--------	------	--------	-------	------	-------------



**NOTE:**

Complete New Engines Are Not Serviced. Serviced By New Short Block Only.

Sales Codes:

- [DBB]=All Manual Transmissions
- [DEH]=6-Speed Manual NSG370 Transmission
- [DGQ]=5-Speed Automatic 5-45RFE Transmission
- [DGV]=4-Speed Automatic VLP Transmission
- [DG0]=All Automatic Transmissions
- [DG6]=4-Speed Automatic 42RLE Transmission
- [DHE]=Command-Trac H.D. Part Time NVG 241 GII Transfer Case
- [DHN]=Command-Trac Part Time NVG 231 Transfer Case
- [DHP]=Selec-Trac Full Time NVG 242 Transfer Case
- [EKG]=3.7L "Magnum" V-6 Engine
- [EK0]=All 3.7L 6-Cylinder Gas Engines
- [ENR]=2.8L 4-Cylinder Turbo Diesel Engine
- [EN0]=All 4/5 Cylinder Diesel Engines
- [NAA]=Federal Emissions
- [NAE]=California Emissions
- [NAS]=50 States Emissions
- [NA1]=Export Emissions

1	06508298AA	2							
2	06508298AA	2							

ENGINE PACKAGE, Complete,  
See Note, (NOT SERVICED)  
LABEL, Engine Identification, (NOT  
SERVICED)

**LIBERTY (KJ)**

SERIES	LINE	BODY	ENGINE	TRANSMISSION
H = HIGHLINE	T = JEEP - 2WD	74 = SPORT UTILITY 4-DR	EKG = 3.7L V6 Engine	DG6 = 4-Spd. Automatic 42RLE
M = MEDIUM	J = JEEP - 4WD		ENR = 2.8L 4 Cyl Turbo Diesel	Transmission
P = PREMIUM	U = JEEP - 4WD (RHD)		Engine	DGV = 4-Spd. Automatic VLP
			ENJ = 2.5L 4 Cyl 16V Turbo	Transmission
			Diesel Engine	DGQ = 5-Spd Automatic 5-45RFE
			ED1 = 2.4L 4 Cyl DOHC 16v	Transmission
			SMPI Engine	DEH = 6-Speed Manual NSG370
				Transmission
				DDD = 5-Speed HD Manual
				Transmission
				DDK = 5-Speed HD Manual
				Transmission

AR = use ase required - = Non illustrated part

2006 KJ

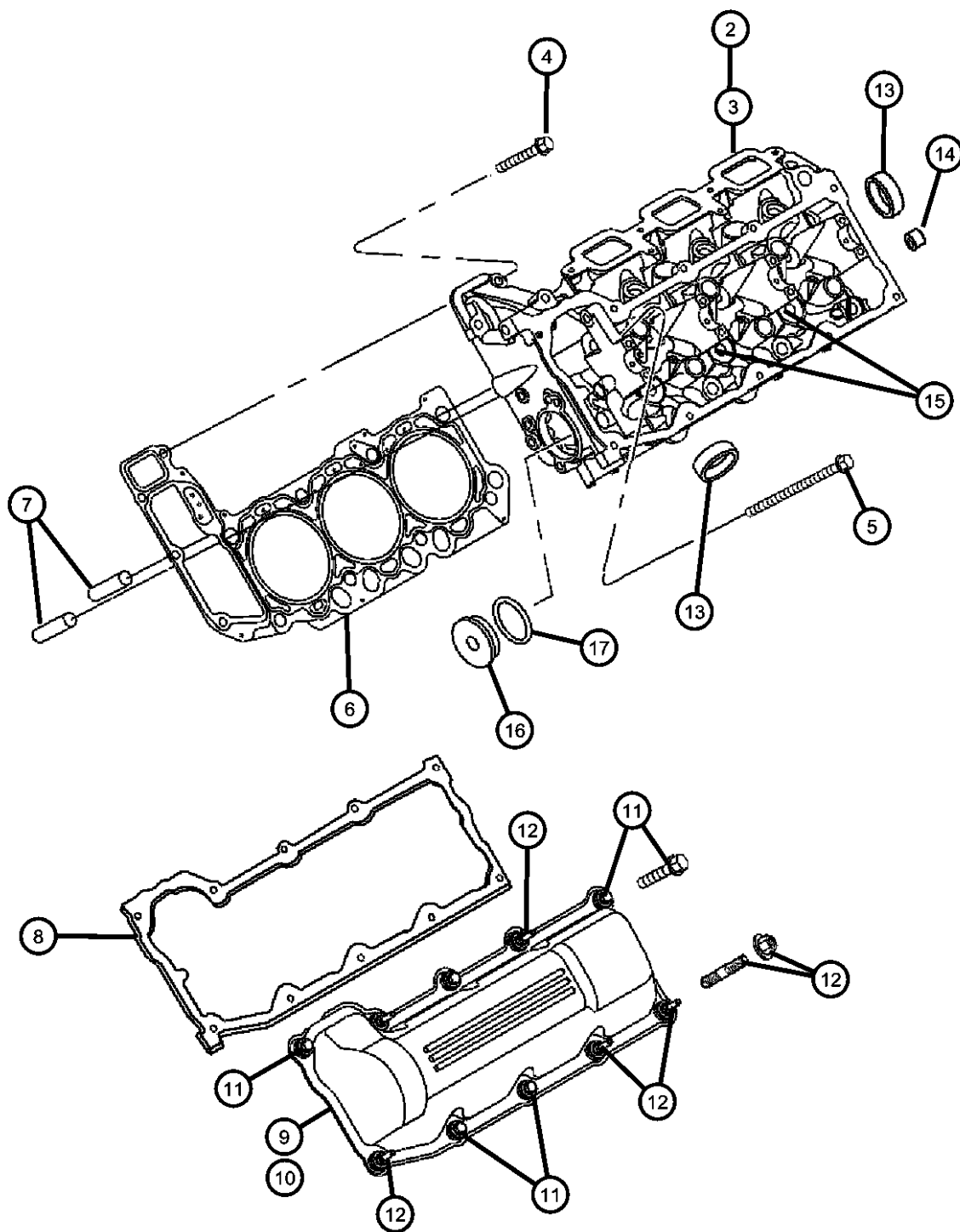
**Cylinder Head 3.7L [EKG]  
Figure 3.7L-210**

ITEM	PART NUMBER	QTY	LINE	SERIES	BODY	ENGINE	TRANS	TRIM	DESCRIPTION
------	-------------	-----	------	--------	------	--------	-------	------	-------------

NOTE: Upper Gasket Package Contains: Cylinder Head and Cylinder Head Cover Gaskets, Intake and Exhaust Manifold Gaskets, Throttle Body Gaskets.  
New Cylinder Heads Contain: Valve Guides, Valve Seat Inserts, Camshaft Bearing Caps, Freeze Plugs. NOT INCLUDED ARE VALVES, CAMSHAFTS, AND PISTONS.

Sales Codes:

- [DBB]=All Manual Transmissions
- [DEH]=6-Speed Manual NSG370 Transmission
- [DGQ]=5-Speed Automatic 5-45RFE Transmission
- [DGV]=4-Speed Automatic VLP Transmission
- [DG0]=All Automatic Transmissions
- [DG6]=4-Speed Automatic 42RLE Transmission
- [DHE]=Command-Trac H.D. Part Time NVG 241 GII Transfer Case
- [DHN]=Command-Trac Part Time NVG 231 Transfer Case
- [DHP]=Selec-Trac Full Time NVG 242 Transfer Case
- [EKG]=3.7L "Magnum" V-6 Engine
- [EK0]=All 3.7L 6-Cylinder Gas Engines
- [ENR]=2.8L 4-Cylinder Turbo Diesel Engine
- [EN0]=All 4/5 Cylinder Diesel Engines
- [NAA]=Federal Emissions
- [NAE]=California Emissions
- [NAS]=50 States Emissions
- [NA1]=Export Emissions



-1									GASKET PACKAGE, Engine Upper, See Note
	05170703AA	1				EK0	DBB		
		1				EK0	DG0		
2	53020987AC	1				EK0			HEAD, Cylinder, Left, See Note
3	53020988AC	1				EK0			HEAD, Cylinder, Right, See Note
4	06506785AA	8				EK0			SCREW AND WASHER, Hex Head, M8X1.25X31.00, Cylinder Head To Engine Block, Mounting
5	06505528AA	16				EK0			SCREW AND WASHER, Hex Head, M11X1.50X173, Cylinder Head To Engine Block, Mounting
6	53020989	2				EK0			GASKET, Cylinder Head, Left and Right
7	05240849	4				EK0			DOWEL, Engine Block To Cylinder Head, Mounting
8	53021958AA	1				EK0			GASKET, Valve Cover
	53021959AA	1				EK0			Use with Plastic Cylinder Head Covers, Right
									Use with Plastic Cylinder Head Covers, Left

**LIBERTY (KJ)**

SERIES	LINE	BODY	ENGINE	TRANSMISSION
H = HIGHLINE	T = JEEP - 2WD	74 = SPORT UTILITY 4-DR	EKG = 3.7L V6 Engine	DG6 = 4-Spd. Automatic 42RLE Transmission
M = MEDIUM	J = JEEP - 4WD		ENR = 2.8L 4 Cyl Turbo Diesel Engine	DGV = 4-Spd. Automatic VLP Transmission
P = PREMIUM	U = JEEP - 4WD (RHD)		ENJ = 2.5L 4 Cyl 16V Turbo Diesel Engine	DGQ = 5-Spd Automatic 5-45RFE Transmission
			ED1 = 2.4L 4 Cyl DOHC 16v SMPI Engine	DEH = 6-Speed Manual NSG370 Transmission
				DDD = 5-Speed HD Manual Transmission
				DDK = 5-Speed HD Manual Transmission

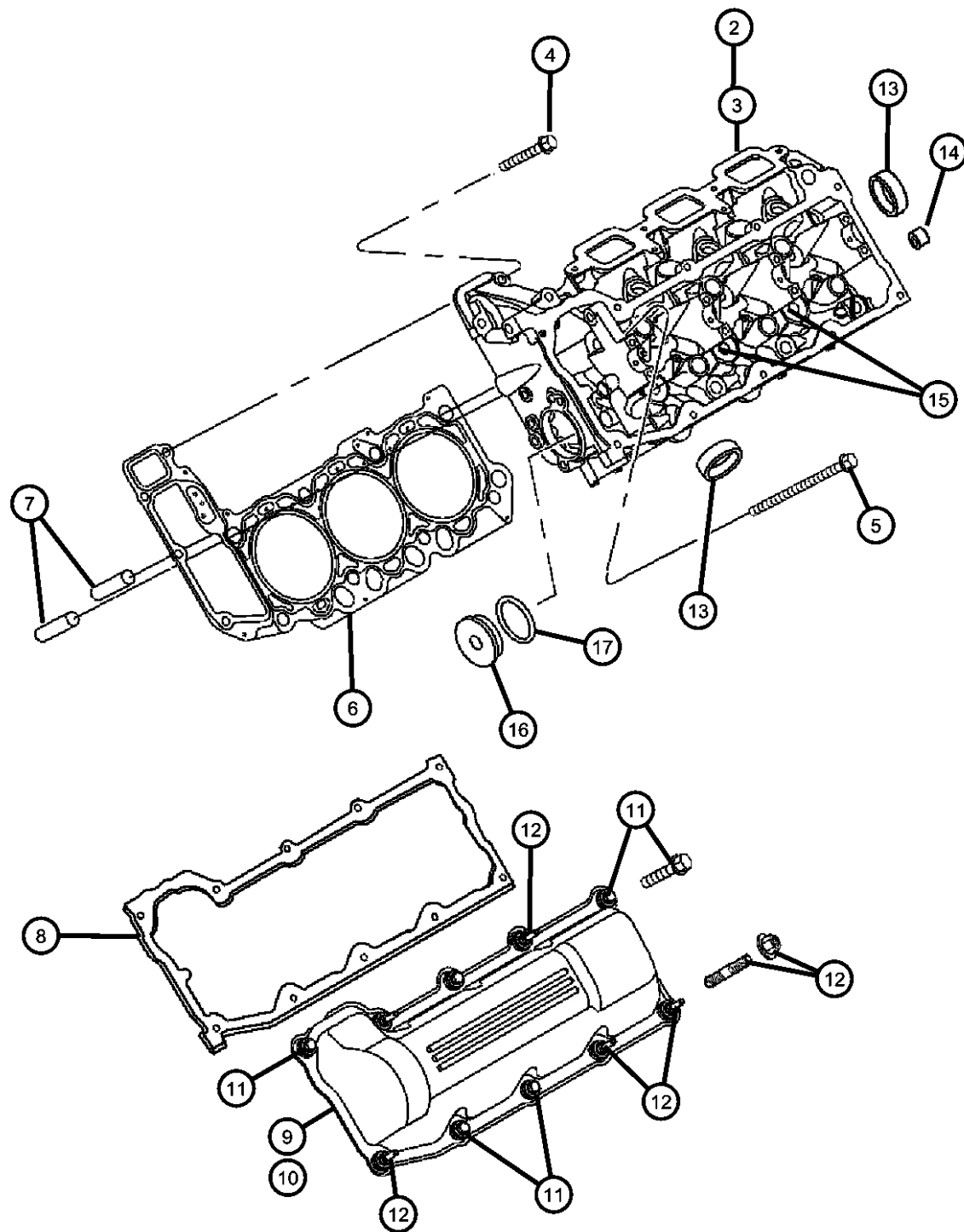
AR = use ase required - = Non illustrated part

2006 KJ



**Cylinder Head 3.7L [EKG]  
Figure 3.7L-210**

ITEM	PART NUMBER	QTY	LINE	SERIES	BODY	ENGINE	TRANS	TRIM	DESCRIPTION
9	53021937AA	1				EK0			COVER, Cylinder Head, Left
10	53021938AA	1				EK0			COVER, Cylinder Head, Right
11									SCREW, M6X1.00X33.00
	06508296AA	4				EK0			Cylinder Head Cover Right, Mounting
		5				EK0			Cylinder Head Cover Left, Mounting
12		5							STUD, M6X1.00X61.00 Serviced With Valve Cover Only, (NOT SERVICED),
13									PLUG, Core, 1.25 Diameter
	04556020	2				EK0			Water Jacket Core, Left
		2				EK0			Water Jacket Core, Right
14									PLUG, 0.25-18x.413
	06036307AA	1				EK0			Left
		1				EK0			Right
15									PLUG, Hex Socket, 3/8-18NPTx.475
	06034331	2				EK0			Left
		2				EK0			Right
16	53021031	1				EK0			PLUG, Access Hole
17	53021032	1				EK0			O RING



**LIBERTY (KJ)**

SERIES      LINE  
H = HIGHLINE    T = JEEP - 2WD  
M = MEDIUM     J = JEEP - 4WD  
P = PREMIUM    U = JEEP - 4WD (RHD)

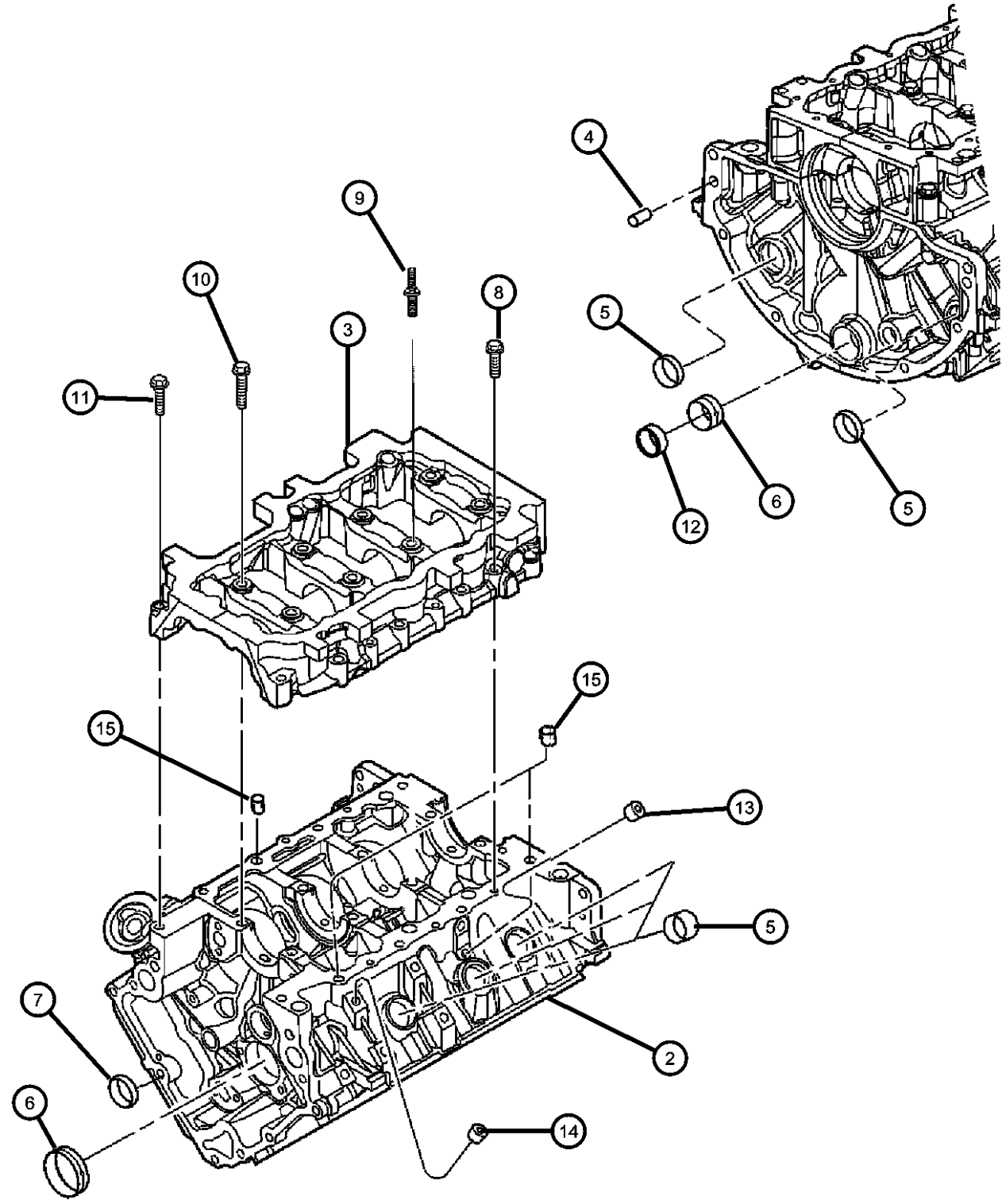
BODY  
74 = SPORT UTILITY 4-DR

ENGINE      TRANSMISSION  
EKG = 3.7L V6 Engine      DG6 = 4-Spd. Automatic 42RLE  
ENR = 2.8L 4 Cyl Turbo Diesel Engine      Transmission  
ENJ = 2.5L 4 Cyl 16V Turbo Diesel Engine      DGV = 4-Spd. Automatic VLP  
ED1 = 2.4L 4 Cyl DOHC 16v SMPI Engine      Transmission  
DGQ = 5-Spd Automatic 5-45RFE  
Transmission  
DEH = 6-Speed Manual NSG370  
Transmission  
DDD = 5-Speed HD Manual  
Transmission  
DDK = 5-Speed HD Manual  
Transmission

AR = use ase required - = Non illustrated part

2006 KJ

**Engine Block, 3.7L [EKG]  
Figure 3.7L-305**



ITEM	PART NUMBER	QTY	LINE	SERIES	BODY	ENGINE	TRANS	TRIM	DESCRIPTION
------	-------------	-----	------	--------	------	--------	-------	------	-------------

NOTES: Lower Gasket Package contains: Front and Rear Crankshaft Seals, Oil Pick Up Tube Seal; Oil Pan, Chain Case and Water Pump Gaskets  
Short Block Assembly Contains: Engine Block, Crankshaft, Crankshaft Bearings, Crankshaft Sensor Target Ring, Thurst Washers, Pistons, Conne  
Sales Codes:

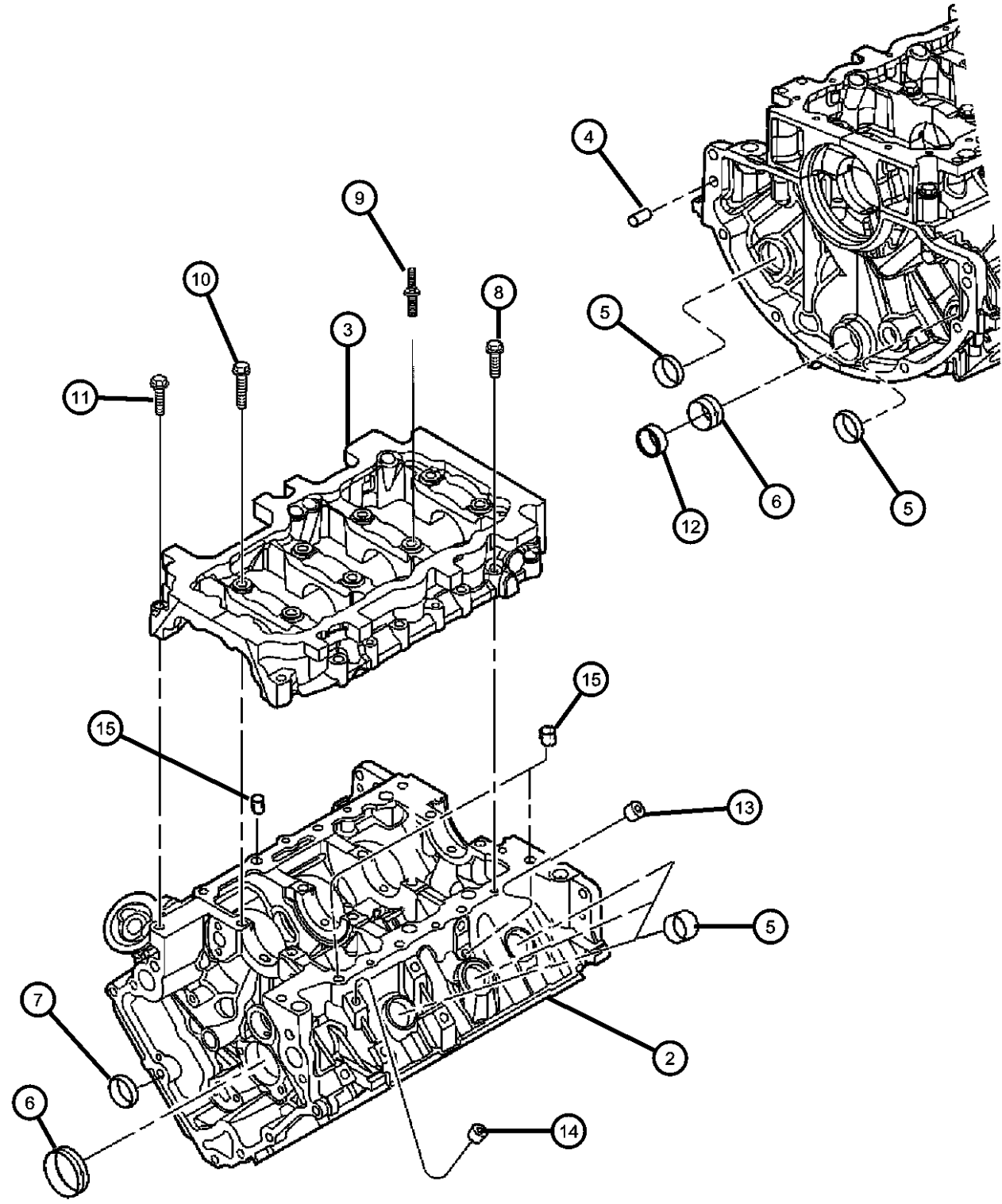
- [DBB]=All Manual Transmissions
- [DEH]=6-Speed Manual NSG370 Transmission
- [DGQ]=5-Speed Automatic 5-45RFE Transmission
- [DGV]=4-Speed Automatic VLP Transmission
- [DG0]=All Automatic Transmissions
- [DG6]=4-Speed Automatic 42RLE Transmission
- [DHE]=Command-Trac H.D. Part Time NVG 241 GII Transfer Case
- [DHN]=Command-Trac Part Time NVG 231 Transfer Case
- [DHP]=Selec-Trac Full Time NVG 242 Transfer Case
- [EKG]=3.7L "Magnum" V-6 Engine
- [EK0]=All 3.7L 6-Cylinder Gas Engines
- [ENR]=2.8L 4-Cylinder Turbo Diesel Engine
- [EN0]=All 4/5 Cylinder Diesel Engines
- [NAA]=Federal Emissions
- [NAE]=California Emissions
- [NAS]=50 States Emissions

-1									GASKET PACKAGE, Engine Lower, See Note
	05135793AA	1				EK0	DBB		
		1				EK0	DG0		
2									BLOCK, SHORT, See Note
	05174604AA	1				EK0	DBB		
		1				EK0	DG0		
3		1							BEDPLATE, Serviced With Short Block Only, (NOT SERVICED)
4	01122532	2				EK0			DOWEL, Block To Clutch Housing, 1/2 X 3/4 Mounting
5	06034804	8				EK0			PLUG, Core, 1.39 Diameter, Cylinder Block Water Jacket
6	06034804	8							BUSHING, Balance Shaft, Serviced In Short Block Only, (NOT SERVICED)
7	06034804	8				EK0			PLUG, Core, 1.39 Diameter, Cylinder Block Water Jacket
8	06102156AA	5				EK0			SCREW, Hex Flange Head, M8x1.25x44, Cylinder Block To Bedplate, Mounting

LIBERTY (KJ)		BODY	ENGINE	TRANSMISSION
SERIES	LINE			
H = HIGHLINE	T = JEEP - 2WD	74 = SPORT UTILITY 4-DR	EKG = 3.7L V6 Engine	DG6 = 4-Spd. Automatic 42RLE Transmission
M = MEDIUM	J = JEEP - 4WD		ENR = 2.8L 4 Cyl Turbo Diesel Engine	DGV = 4-Spd. Automatic VLP Transmission
P = PREMIUM	U = JEEP - 4WD (RHD)		ENJ = 2.5L 4 Cyl 16V Turbo Diesel Engine	DGQ = 5-Spd Automatic 5-45RFE Transmission
			ED1 = 2.4L 4 Cyl DOHC 16v SMPI Engine	DEH = 6-Speed Manual NSG370 Transmission
				DDD = 5-Speed HD Manual Transmission
				DDK = 5-Speed HD Manual Transmission

AR = use ase required - = Non illustrated part

**Engine Block, 3.7L [EKG]  
Figure 3.7L-305**

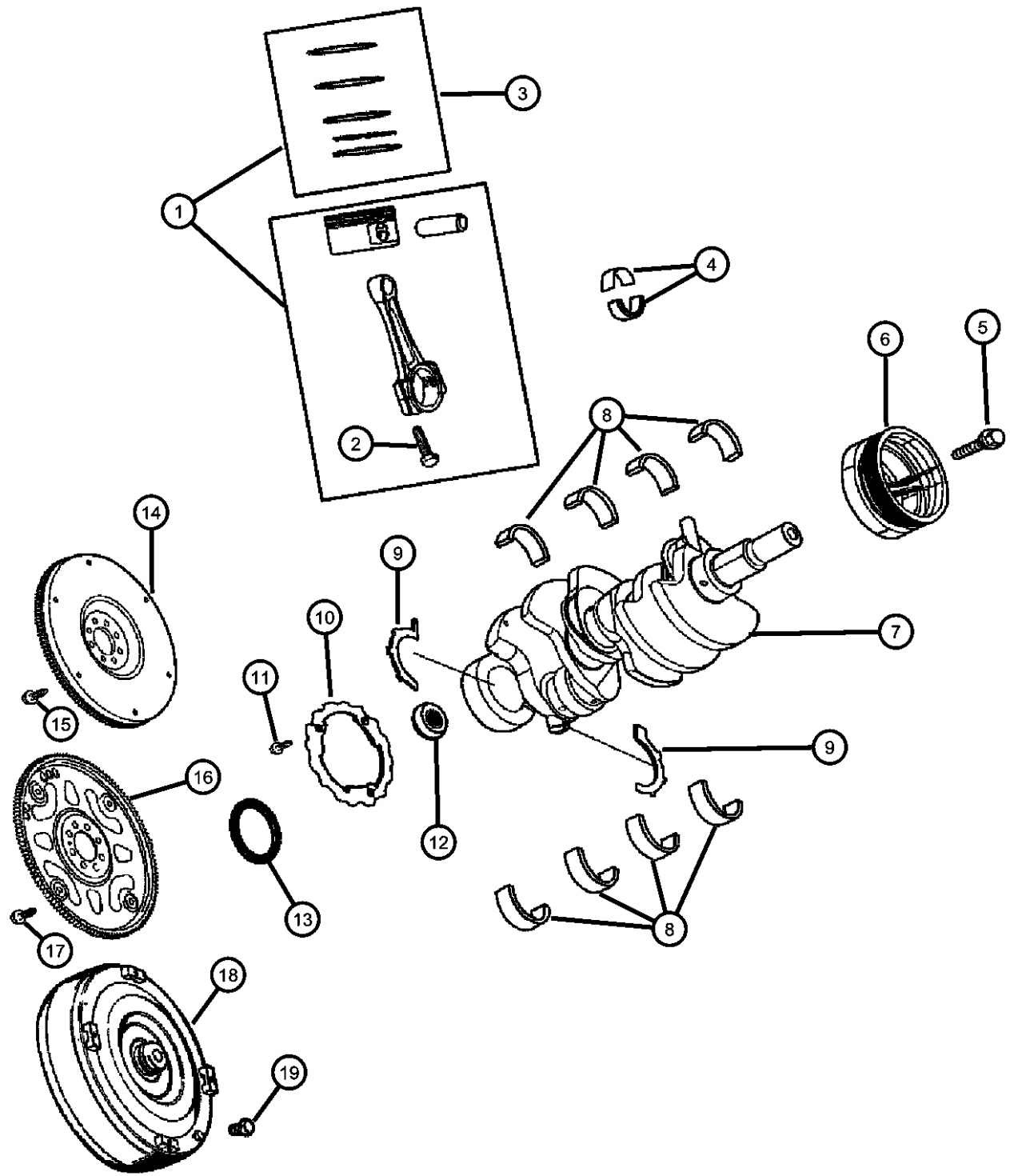


ITEM	PART NUMBER	QTY	LINE	SERIES	BODY	ENGINE	TRANS	TRIM	DESCRIPTION
9	06506187AA	2				EK0			STUD, M11X1.50XM8X1.25X142.75, Crankshaft Bearing Cap, Mounting
10	06505394AA	6				EK0			SCREW AND WASHER, M11X1.50X90.0, Bedplate To Block, Mounting
11	06504410	2				EK0			SCREW, Hex Head, M10X1.50X55.00, Bedplate To Block, Mounting
12	04663942	1				EK0			PLUG, Core, 1.50 Diameter, Engine Block Core Hole
13	06036307AA	3				EK0			PLUG, 250-18X.413, Engine Block Coolant Drain
14	06036114AA	4				EK0			PLUG, Pipe, 0.500-14X.560, Engine Block Oil Hole
15	53010533AA	5				EK0			DOWEL, Engine Block To Front Cover, Mounting

<b>LIBERTY (KJ)</b>				
SERIES	LINE	BODY	ENGINE	TRANSMISSION
H = HIGHLINE	T = JEEP - 2WD	74 = SPORT UTILITY 4-DR	EKG = 3.7L V6 Engine	DG6 = 4-Spd. Automatic 42RLE
M = MEDIUM	J = JEEP - 4WD		ENR = 2.8L 4 Cyl Turbo Diesel	Transmission
P = PREMIUM	U = JEEP - 4WD (RHD)		Engine	DGV = 4-Spd. Automatic VLP
			ENJ = 2.5L 4 Cyl 16V Turbo	Transmission
			Diesel Engine	DGQ = 5-Spd Automatic 5-45RFE
			ED1 = 2.4L 4 Cyl DOHC 16v	Transmission
			SMPI Engine	DEH = 6-Speed Manual NSG370
				Transmission
				DDD = 5-Speed HD Manual
				Transmission
				DDK = 5-Speed HD Manual
				Transmission

AR = use ase required - = Non illustrated part

**Crankshaft, Pistons and Flywheel, 3.7L [EKG]  
Figure 3.7L-405**



ITEM	PART NUMBER	QTY	LINE	SERIES	BODY	ENGINE	TRANS	TRIM	DESCRIPTION
------	-------------	-----	------	--------	------	--------	-------	------	-------------

**NOTE:**

For Crankshaft Identification, Stamping Location and Bearing Information Refer to the Service Manual.

For Bearing Selection Sizes Please Refer To Service Manual Group 9, Bearings Crankshaft Main, [ Select Fit Identification]

**Sales Codes:**

- [DBB]=All Manual Transmissions
- [DEH]=6-Speed Manual NSG370 Transmission
- [DGQ]=5-Speed Automatic 5-45RFE Transmission
- [DGV]=4-Speed Automatic VLP Transmission
- [DG0]=All Automatic Transmissions
- [DG6]=4-Speed Automatic 42RLE Transmission
- [DHE]=Command-Trac H.D. Part Time NVG 241 GII Transfer Case
- [DHN]=Command-Trac Part Time NVG 231 Transfer Case
- [DHP]=Selec-Trac Full Time NVG 242 Transfer Case
- [EKG]=3.7L "Magnum" V-6 Engine
- [EK0]=All 3.7L 6-Cylinder Gas Engines
- [ENR]=2.8L 4-Cylinder Turbo Diesel Engine
- [EN0]=All 4/5 Cylinder Diesel Engines
- [NAA]=Federal Emissions
- [NAE]=California Emissions
- [NAS]=50 States Emissions
- [NA1]=Export Emissions

1									PISTON PIN AND ROD, STD
	05019316AA	1				EK0	DBB		
		1				EK0	DG0		
2	06503928	12				EK0			BOLT, Connecting Rod, M9X1.0X46.00, Connecting Rod Cap, Mounting
3	05012364AD	6				EK0			RING PACKAGE, Piston, Standard Size, 1 Package Will Do 1 Piston
4	05019447AA	6				EK0			BEARING PACKAGE, Connecting Rod, Standard, 1 Package Will Do One Connecting Rod
5	06504415	1				EK0			SCREW AND WASHER, M14X1.50X112.00, Dampner To Crankshaft, Mounting
6	53020689AB	1				EK0			DAMPER, Crankshaft
7	53020959AB	1				EK0			CRANKSHAFT
8									BEARING PACKAGE, Crankshaft, A Grade
	05066733AB	4				EK0	DBB		[R] Crankshaft Main 1 And 4

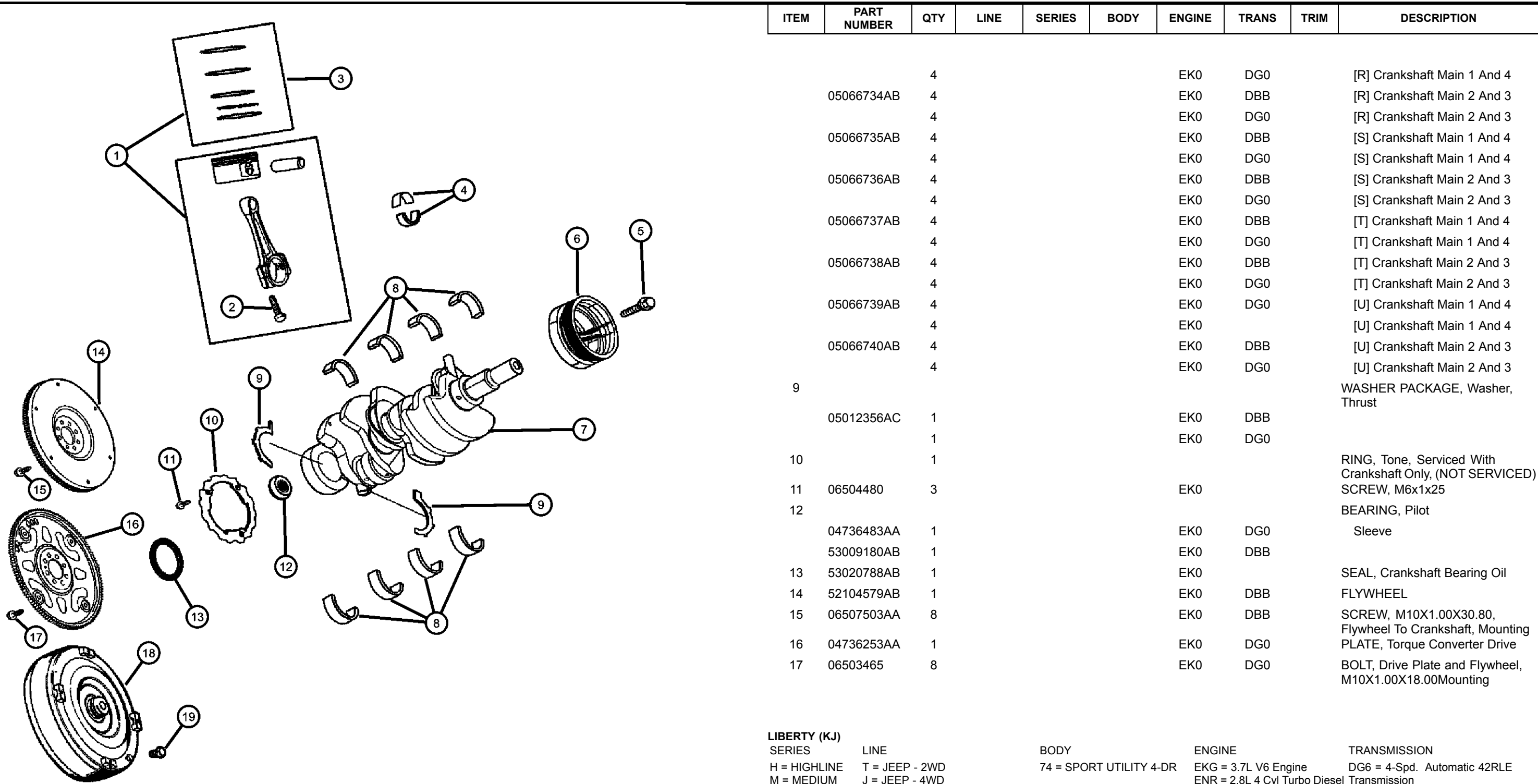
**LIBERTY (KJ)**

SERIES	LINE	BODY	ENGINE	TRANSMISSION
H = HIGHLINE	T = JEEP - 2WD	74 = SPORT UTILITY 4-DR	EKG = 3.7L V6 Engine	DG6 = 4-Spd. Automatic 42RLE Transmission
M = MEDIUM	J = JEEP - 4WD		ENR = 2.8L 4 Cyl Turbo Diesel Engine	DGV = 4-Spd. Automatic VLP Transmission
P = PREMIUM	U = JEEP - 4WD (RHD)		ENJ = 2.5L 4 Cyl 16V Turbo Diesel Engine	DGQ = 5-Spd Automatic 5-45RFE Transmission
			ED1 = 2.4L 4 Cyl DOHC 16v SMPI Engine	DEH = 6-Speed Manual NSG370 Transmission
				DDD = 5-Speed HD Manual Transmission
				DDK = 5-Speed HD Manual Transmission

AR = use ase required - = Non illustrated part

2006 KJ

**Crankshaft, Pistons and Flywheel, 3.7L [EKG]  
Figure 3.7L-405**



ITEM	PART NUMBER	QTY	LINE	SERIES	BODY	ENGINE	TRANS	TRIM	DESCRIPTION
		4				EK0	DG0		[R] Crankshaft Main 1 And 4
	05066734AB	4				EK0	DBB		[R] Crankshaft Main 2 And 3
		4				EK0	DG0		[R] Crankshaft Main 2 And 3
	05066735AB	4				EK0	DBB		[S] Crankshaft Main 1 And 4
		4				EK0	DG0		[S] Crankshaft Main 1 And 4
	05066736AB	4				EK0	DBB		[S] Crankshaft Main 2 And 3
		4				EK0	DG0		[S] Crankshaft Main 2 And 3
	05066737AB	4				EK0	DBB		[T] Crankshaft Main 1 And 4
		4				EK0	DG0		[T] Crankshaft Main 1 And 4
	05066738AB	4				EK0	DBB		[T] Crankshaft Main 2 And 3
		4				EK0	DG0		[T] Crankshaft Main 2 And 3
	05066739AB	4				EK0	DG0		[U] Crankshaft Main 1 And 4
		4				EK0			[U] Crankshaft Main 1 And 4
	05066740AB	4				EK0	DBB		[U] Crankshaft Main 2 And 3
		4				EK0	DG0		[U] Crankshaft Main 2 And 3
9									WASHER PACKAGE, Washer, Thrust
	05012356AC	1				EK0	DBB		
		1				EK0	DG0		
10		1							RING, Tone, Serviced With Crankshaft Only, (NOT SERVICED)
11	06504480	3				EK0			SCREW, M6x1x25
12									BEARING, Pilot
	04736483AA	1				EK0	DG0		Sleeve
	53009180AB	1				EK0	DBB		
13	53020788AB	1				EK0			SEAL, Crankshaft Bearing Oil
14	52104579AB	1				EK0	DBB		FLYWHEEL
15	06507503AA	8				EK0	DBB		SCREW, M10X1.00X30.80, Flywheel To Crankshaft, Mounting
16	04736253AA	1				EK0	DG0		PLATE, Torque Converter Drive
17	06503465	8				EK0	DG0		BOLT, Drive Plate and Flywheel, M10X1.00X18.00Mounting

**LIBERTY (KJ)**

**SERIES**

H = HIGHLINE  
M = MEDIUM  
P = PREMIUM

**LINE**

T = JEEP - 2WD  
J = JEEP - 4WD  
U = JEEP - 4WD (RHD)

**BODY**

74 = SPORT UTILITY 4-DR

**ENGINE**

EKG = 3.7L V6 Engine  
ENR = 2.8L 4 Cyl Turbo Diesel Engine  
ENJ = 2.5L 4 Cyl 16V Turbo Diesel Engine  
ED1 = 2.4L 4 Cyl DOHC 16v SMPI Engine

**TRANSMISSION**

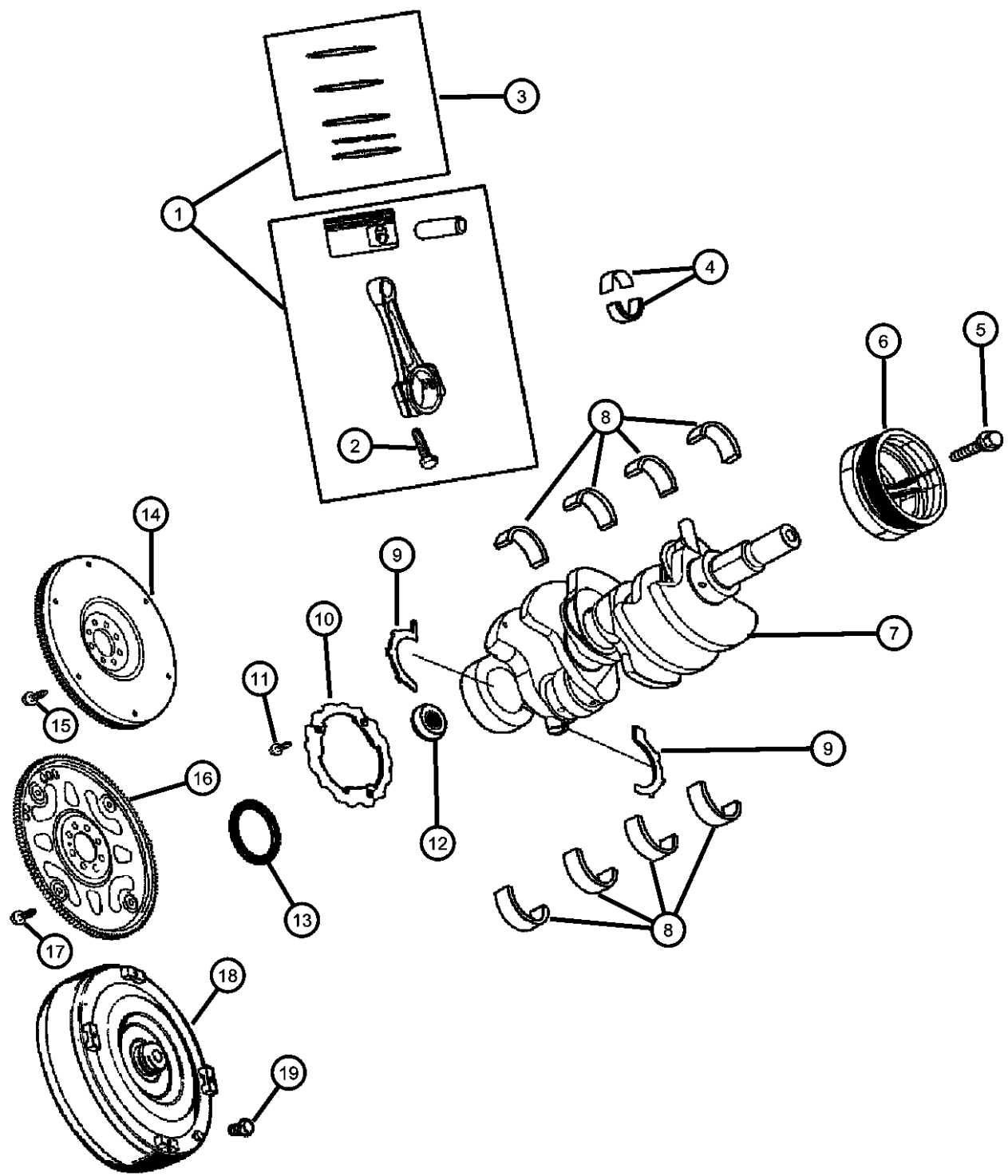
DG6 = 4-Spd. Automatic 42RLE Transmission  
DGV = 4-Spd. Automatic VLP Transmission  
DGQ = 5-Spd Automatic 5-45RFE Transmission  
DEH = 6-Speed Manual NSG370 Transmission  
DDD = 5-Speed HD Manual Transmission  
DDK = 5-Speed HD Manual Transmission

AR = use ase required - = Non illustrated part

2006 KJ

**Crankshaft, Pistons and Flywheel, 3.7L [EKG]  
Figure 3.7L-405**

ITEM	PART NUMBER	QTY	LINE	SERIES	BODY	ENGINE	TRANS	TRIM	DESCRIPTION
------	-------------	-----	------	--------	------	--------	-------	------	-------------



18	05093944AB	1	J, U				DG6		CONVERTER PACKAGE, Torque
		1	T				DG6		
		1	J, U				DGV		
		1	T				DGV		
19	01949765	4					DGQ		SCREW, Hex Head Header Point, .312-24x.44, Driveplate To Torque Converter, Mounting

**LIBERTY (KJ)**

SERIES	LINE
H = HIGHLINE	T = JEEP - 2WD
M = MEDIUM	J = JEEP - 4WD
P = PREMIUM	U = JEEP - 4WD (RHD)

BODY
74 = SPORT UTILITY 4-DR

ENGINE	TRANSMISSION
EKG = 3.7L V6 Engine	DG6 = 4-Spd. Automatic 42RLE
ENR = 2.8L 4 Cyl Turbo Diesel Engine	Transmission
ENJ = 2.5L 4 Cyl 16V Turbo Diesel Engine	DGV = 4-Spd. Automatic VLP
ED1 = 2.4L 4 Cyl DOHC 16v SMPI Engine	DGQ = 5-Spd Automatic 5-45RFE
	Transmission
	DEH = 6-Speed Manual NSG370
	Transmission
	DDD = 5-Speed HD Manual
	Transmission
	DDK = 5-Speed HD Manual
	Transmission

AR = use ase required - = Non illustrated part

2006 KJ

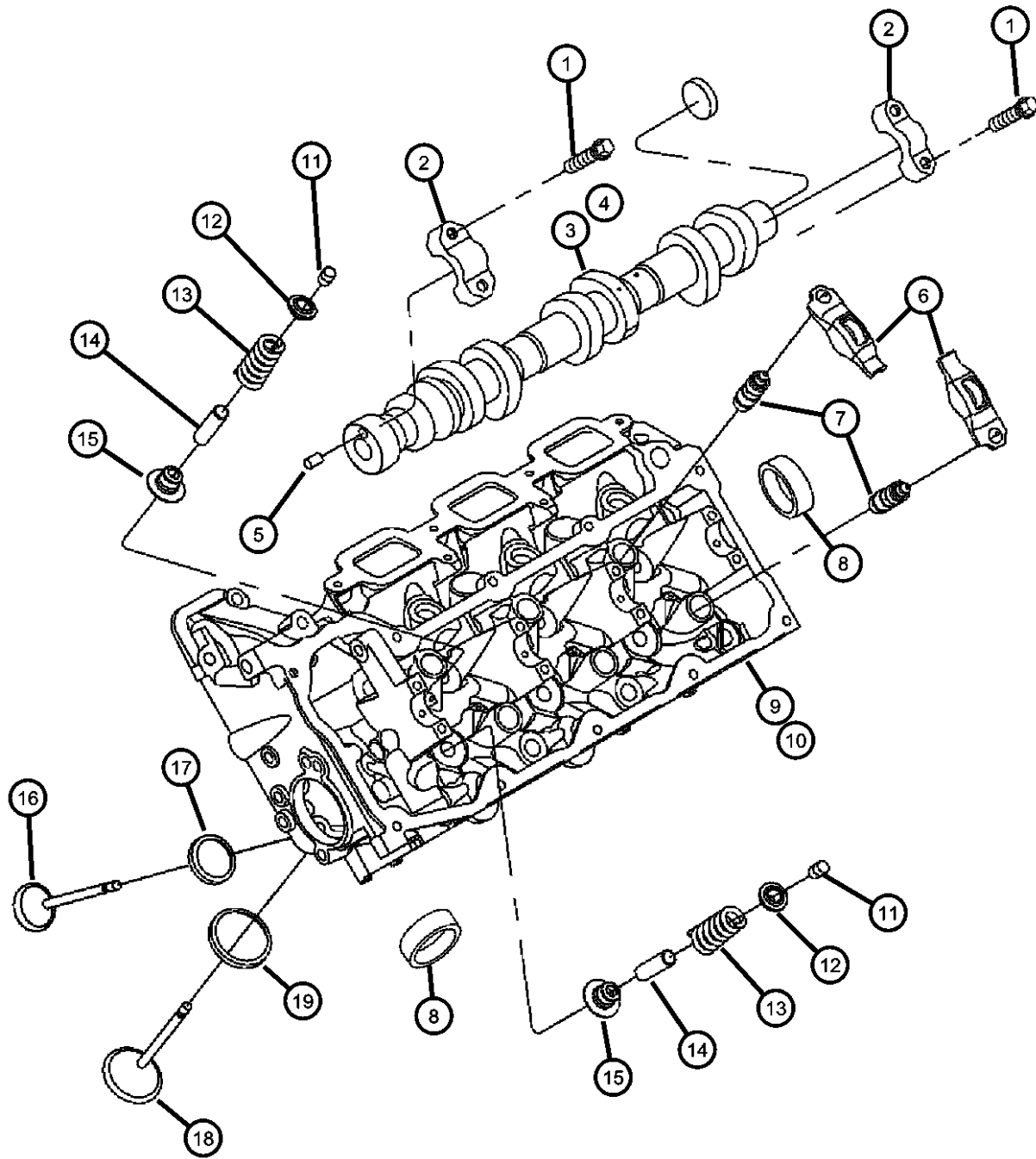
**Camshaft And Valves, 3.7L [EKG]  
Figure 3.7L-505**

ITEM	PART NUMBER	QTY	LINE	SERIES	BODY	ENGINE	TRANS	TRIM	DESCRIPTION
------	-------------	-----	------	--------	------	--------	-------	------	-------------

NOTE:

Sales Codes:

- [DBB]=All Manual Transmissions
- [DEH]=6-Speed Manual NSG370 Transmission
- [DGQ]=5-Speed Automatic 5-45RFE Transmission
- [DGV]=4-Speed Automatic VLP Transmission
- [DG0]=All Automatic Transmissions
- [DG6]=4-Speed Automatic 42RLE Transmission
- [DHE]=Command-Trac H.D. Part Time NVG 241 GII Transfer Case
- [DHN]=Command-Trac Part Time NVG 231 Transfer Case
- [DHP]=Selec-Trac Full Time NVG 242 Transfer Case
- [EKG]=3.7L "Magnum" V-6 Engine
- [EK0]=All 3.7L 6-Cylinder Gas Engines
- [ENR]=2.8L 4-Cylinder Turbo Diesel Engine
- [EN0]=All 4/5 Cylinder Diesel Engines
- [NAA]=Federal Emissions
- [NAE]=California Emissions
- [NAS]=50 States Emissions
- [NA1]=Export Emissions



1									SCREW, M6x1x40, Cam Bearing Cap
	06505034AA	8				EK0			Left, Mounting
		8				EK0			Right, Mounting
2		8							CAP, Serviced With Cylinder Head Only, (NOT SERVICED), CAMSHAFT, Engine, Left
3	53021893AA	1				EK0			CAMSHAFT, Engine, Right
4	53021892AA	1				EK0			
5									DOWEL, M6x14
	06100902	1				EK0			Right
		1				EK0			Left
6									ROCKER ARM, Valve, 6 Per Cylinder Head
	53021913AB	6				EK0			Right
		6				EK0			Left
7									ADJUSTER, Valve Lash, 6 Per Cylinder Head
	53021894AA	6				EK0			Right
		6				EK0			Left

LIBERTY (KJ)

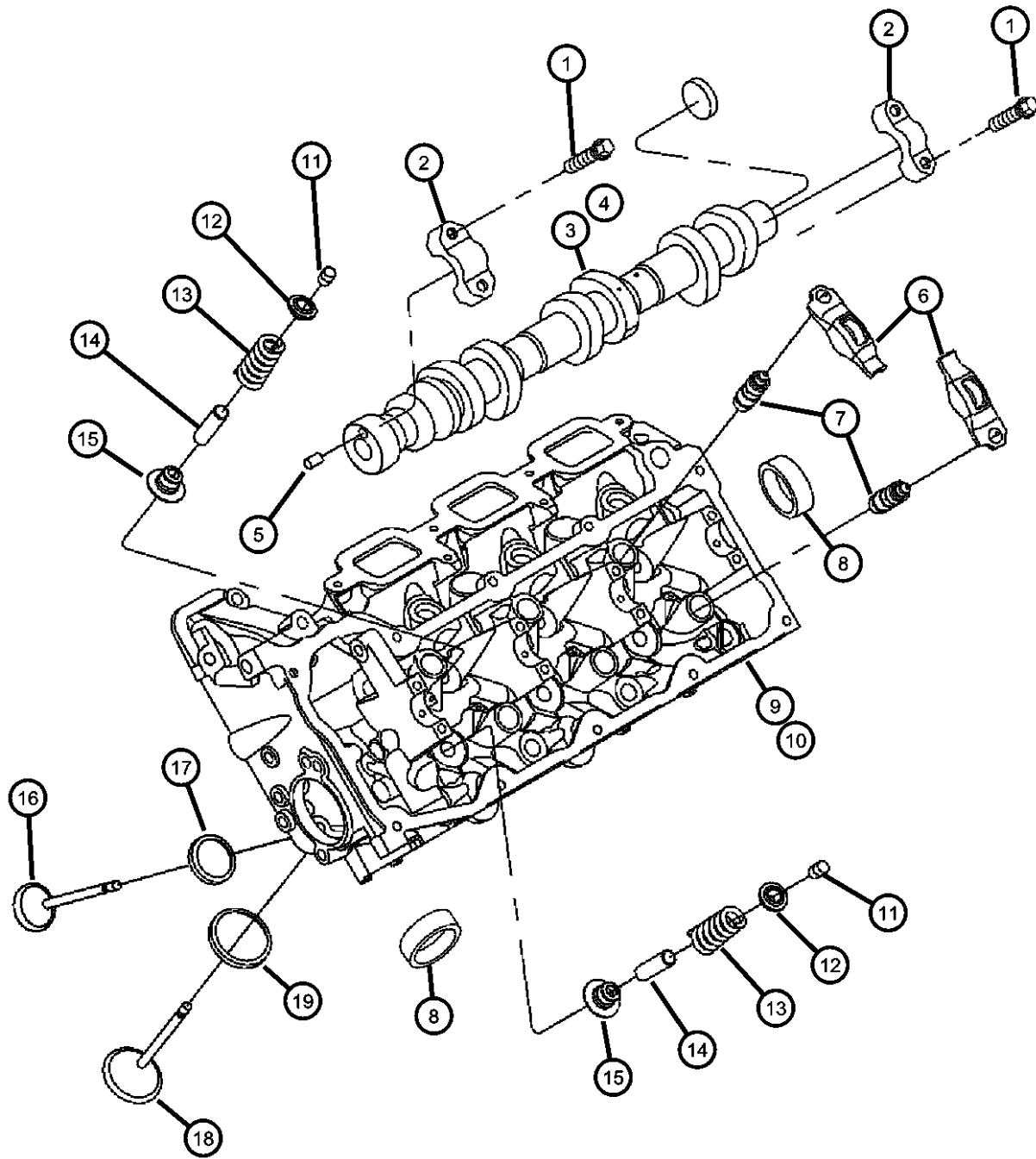
SERIES	LINE
H = HIGHLINE	T = JEEP - 2WD
M = MEDIUM	J = JEEP - 4WD
P = PREMIUM	U = JEEP - 4WD (RHD)

BODY	ENGINE	TRANSMISSION
74 = SPORT UTILITY 4-DR	EKG = 3.7L V6 Engine	DG6 = 4-Spd. Automatic 42RLE Transmission
	ENR = 2.8L 4 Cyl Turbo Diesel Engine	DGV = 4-Spd. Automatic VLP Transmission
	ENJ = 2.5L 4 Cyl 16V Turbo Diesel Engine	DGQ = 5-Spd Automatic 5-45RFE Transmission
	ED1 = 2.4L 4 Cyl DOHC 16v SMPI Engine	DEH = 6-Speed Manual NSG370 Transmission
		DDD = 5-Speed HD Manual Transmission
		DDK = 5-Speed HD Manual Transmission

AR = use ase required - = Non illustrated part

2006 KJ

**Camshaft And Valves, 3.7L [EKG]  
Figure 3.7L-505**



ITEM	PART NUMBER	QTY	LINE	SERIES	BODY	ENGINE	TRANS	TRIM	DESCRIPTION
8									PLUG, Core, 1.25 Diameter, 2 Per Cylinder Head
	04556020	2				EK0			Water Jacket Core, Right
		2				EK0			Water Jacket Core, Left
9	53021941AA	1				EK0			HEAD, Cylinder, Left, Bare
10	53021942AA	1				EK0			HEAD, Cylinder, Right, Bare
11									LOCK, Valve Spring Retainer, 12 Per Cylinder Head
	04536513AB	12				EK0			Right
		12				EK0			Left
12									RETAINER, Valve Spring
	04781090AA	6				EK0			Right
		6				EK0			Left
13									SPRING, Valve
	53021873AA	3				EK0			Exhaust, Right
		3				EK0			Exhaust, Left
	53021887AA	3				EK0			Intake, Right
		3				EK0			Intake, Left
14		3							INSERT, Valve Guide, Serviced With Cylinder Head Only, (NOT SERVICED),
15									SEAL, Valve Guide, 6 Per Cylinder Head
	53020752AD	6				EK0			Right
		6				EK0			Left
16									VALVE, Exhaust, Standard, 3 Per Cylinder Head
	53021644AB	3				EK0			Right
		3				EK0			Left
17		3							SEAT, Exhaust Valve, Serviced With Cylinder Head Only, (NOT SERVICED)
18									VALVE, Intake, Standard, 3 Per Cylinder Head

**LIBERTY (KJ)**

SERIES      LINE  
H = HIGHLINE    T = JEEP - 2WD  
M = MEDIUM     J = JEEP - 4WD  
P = PREMIUM    U = JEEP - 4WD (RHD)

BODY  
74 = SPORT UTILITY 4-DR

ENGINE  
EKG = 3.7L V6 Engine  
ENR = 2.8L 4 Cyl Turbo Diesel Engine  
ENJ = 2.5L 4 Cyl 16V Turbo Diesel Engine  
ED1 = 2.4L 4 Cyl DOHC 16v SMPI Engine

TRANSMISSION  
DG6 = 4-Spd. Automatic 42RLE Transmission  
DGV = 4-Spd. Automatic VLP Transmission  
DGQ = 5-Spd Automatic 5-45RFE Transmission  
DEH = 6-Speed Manual NSG370 Transmission  
DDD = 5-Speed HD Manual Transmission  
DDK = 5-Speed HD Manual Transmission

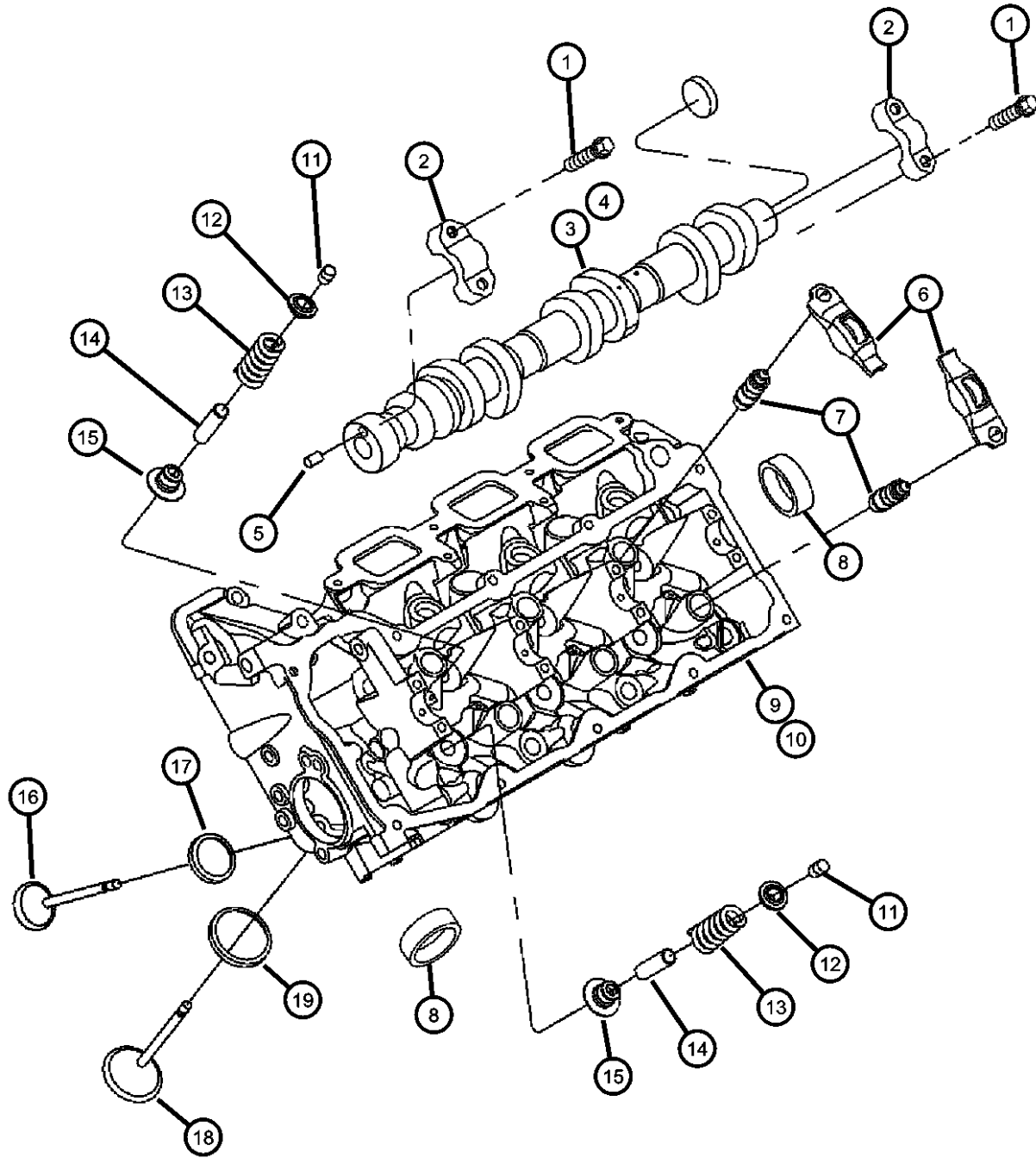
AR = use ase required - = Non illustrated part

2006 KJ



**Camshaft And Valves, 3.7L [EKG]  
Figure 3.7L-505**

ITEM	PART NUMBER	QTY	LINE	SERIES	BODY	ENGINE	TRANS	TRIM	DESCRIPTION
	53020747AB	3				EK0			Right
		3				EK0			Left
19		3							SEAT, Intake Valve, Serviced With Head Only, (NOT SERVICED)



**LIBERTY (KJ)**

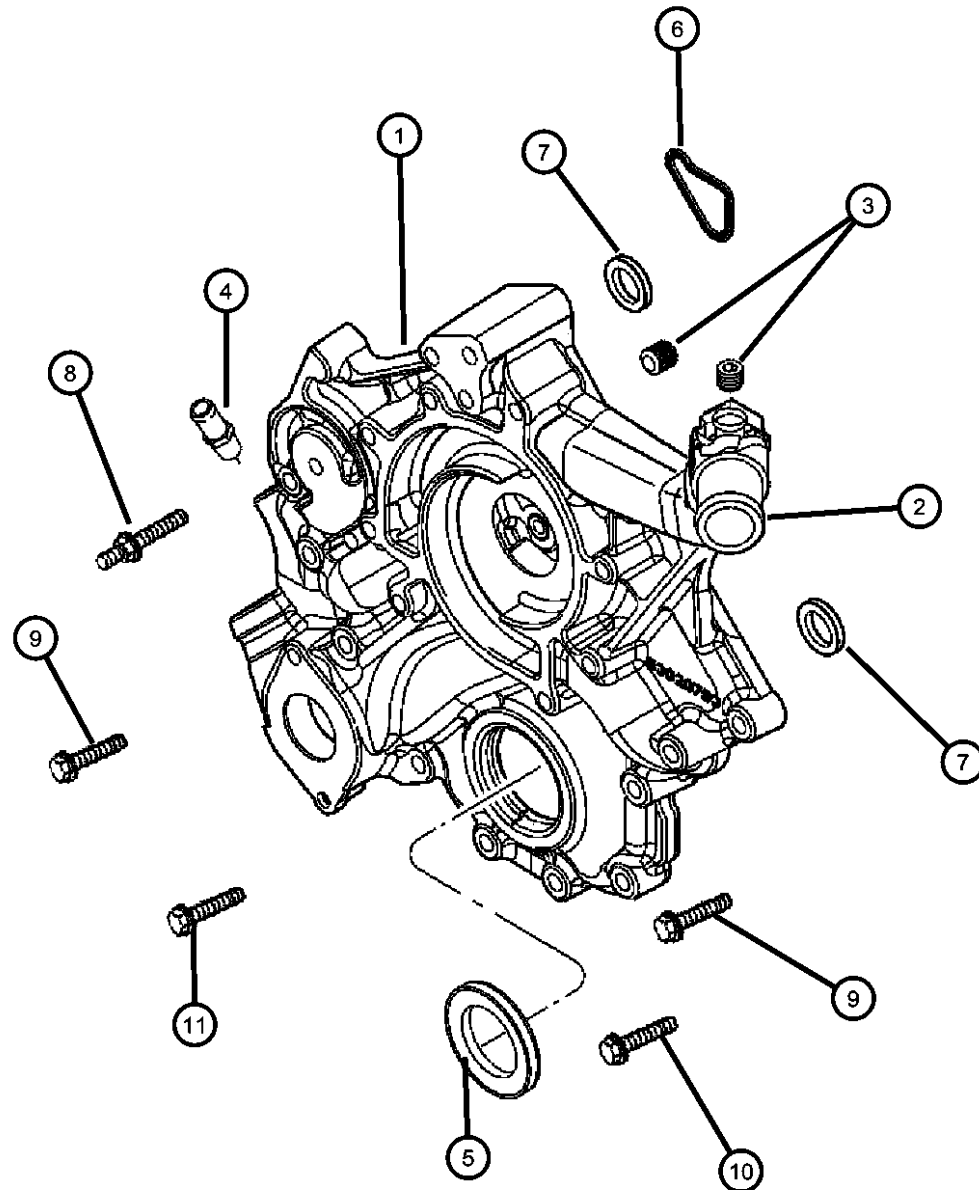
SERIES      LINE  
H = HIGHLINE    T = JEEP - 2WD  
M = MEDIUM     J = JEEP - 4WD  
P = PREMIUM    U = JEEP - 4WD (RHD)

BODY  
74 = SPORT UTILITY 4-DR

ENGINE      TRANSMISSION  
EKG = 3.7L V6 Engine      DG6 = 4-Spd. Automatic 42RLE  
ENR = 2.8L 4 Cyl Turbo Diesel      Transmission  
Engine      DGV = 4-Spd. Automatic VLP  
ENJ = 2.5L 4 Cyl 16V Turbo      Transmission  
Diesel Engine      DGQ = 5-Spd Automatic 5-45RFE  
ED1 = 2.4L 4 Cyl DOHC 16v      Transmission  
SMPI Engine      DEH = 6-Speed Manual NSG370  
Transmission  
DDD = 5-Speed HD Manual  
Transmission  
DDK = 5-Speed HD Manual  
Transmission

AR = use ase required    - = Non illustrated part

**Timing Cover, 3.7L [EKG]  
Figure 3.7L-605**



ITEM	PART NUMBER	QTY	LINE	SERIES	BODY	ENGINE	TRANS	TRIM	DESCRIPTION
------	-------------	-----	------	--------	------	--------	-------	------	-------------

NOTE:

Sales Codes:

- [DBB]=All Manual Transmissions
- [DEH]=6-Speed Manual NSG370 Transmission
- [DGQ]=5-Speed Automatic 5-45RFE Transmission
- [DGV]=4-Speed Automatic VLP Transmission
- [DG0]=All Automatic Transmissions
- [DG6]=4-Speed Automatic 42RLE Transmission
- [DHE]=Command-Trac H.D. Part Time NVG 241 GII Transfer Case
- [DHN]=Command-Trac Part Time NVG 231 Transfer Case
- [DHP]=Selec-Trac Full Time NVG 242 Transfer Case
- [EKG]=3.7L "Magnum" V-6 Engine
- [EK0]=All 3.7L 6-Cylinder Gas Engines
- [ENR]=2.8L 4-Cylinder Turbo Diesel Engine
- [EN0]=All 4/5 Cylinder Diesel Engines
- [NAA]=Federal Emissions
- [NAE]=California Emissions
- [NAS]=50 States Emissions
- [NA1]=Export Emissions

1	53021238AB	1				EK0			COVER, Chain Case
2	53021238AB	1							PIPE FITTING, Chain Case Cover, .375-18x2, Serviced With Cover, (NOT SERVICED)
3	06034331	3				EK0			PLUG, Hex Socket, 3/8-18NPTx.475
4	06035854	2				EK0			NIPPLE, 0.375-18X2.00
5	53021313AA	1				EK0			SEAL, Crankshaft Oil, Front
6	53021226AA	1				EK0			GASKET, Chain Case Cover
7	53021239AA	2				EK0			O RING
8	06505293AA	1				EK0			STUD, M10X1.50X.437-14X145.20, Timing Cover To Engine Block, Mounting
9	06507776AA	3				EK0			SCREW, Hex Flange Head, M10X1.50X87.00, Timing Cover To Engine Block, Mounting
10	06102380AA	5				EK0			SCREW, Hex Flange Head, M10X1.50X45.00, Timing Cover To Engine Block, Mounting
11	06102381AA	5				EK0			SCREW, Hex Flange Head, M10X1.50X65.00, Timing Cover To Engine Block, Mounting

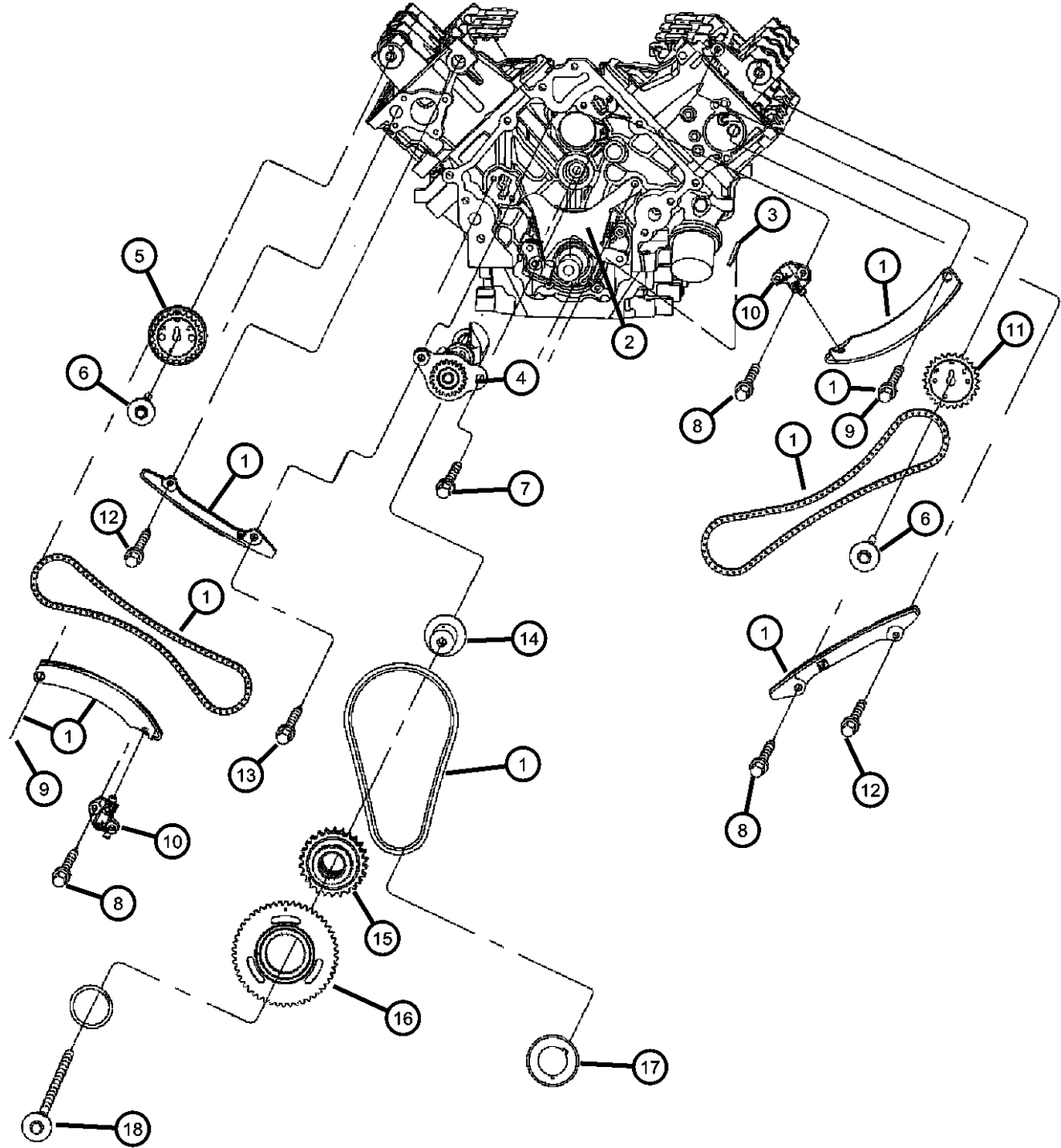
LIBERTY (KJ)

SERIES	LINE	BODY	ENGINE	TRANSMISSION
H = HIGHLINE	T = JEEP - 2WD	74 = SPORT UTILITY 4-DR	EKG = 3.7L V6 Engine	DG6 = 4-Spd. Automatic 42RLE Transmission
M = MEDIUM	J = JEEP - 4WD		ENR = 2.8L 4 Cyl Turbo Diesel Engine	DGV = 4-Spd. Automatic VLP Transmission
P = PREMIUM	U = JEEP - 4WD (RHD)		ENJ = 2.5L 4 Cyl 16V Turbo Diesel Engine	DGQ = 5-Spd Automatic 5-45RFE Transmission
			ED1 = 2.4L 4 Cyl DOHC 16v SMPI Engine	DEH = 6-Speed Manual NSG370 Transmission
				DDD = 5-Speed HD Manual Transmission
				DDK = 5-Speed HD Manual Transmission

AR = use ase required - = Non illustrated part

2006 KJ

**Timing Chain and Guides, 3.7L [EKG]  
Figure 3.7L-610**



ITEM	PART NUMBER	QTY	LINE	SERIES	BODY	ENGINE	TRANS	TRIM	DESCRIPTION
------	-------------	-----	------	--------	------	--------	-------	------	-------------

NOTE:  
Sales Codes:  
[DBB]=All Manual Transmissions  
[DEH]=6-Speed Manual NSG370 Transmission  
[DGQ]=5-Speed Automatic 5-45RFE Transmission  
[DGV]=4-Speed Automatic VLP Transmission  
[DG0]=All Automatic Transmissions  
[DG6]=4-Speed Automatic 42RLE Transmission  
[DHE]=Command-Trac H.D. Part Time NVG 241 GII Transfer Case  
[DHN]=Command-Trac Part Time NVG 231 Transfer Case  
[DHP]=Selec-Trac Full Time NVG 242 Transfer Case  
[EKG]=3.7L "Magnum" V-6 Engine  
[EK0]=All 3.7L 6-Cylinder Gas Engines  
[ENR]=2.8L 4-Cylinder Turbo Diesel Engine  
[EN0]=All 4/5 Cylinder Diesel Engines  
[NAA]=Federal Emissions  
[NAE]=California Emissions  
[NAS]=50 States Emissions  
[NA1]=Export Emissions

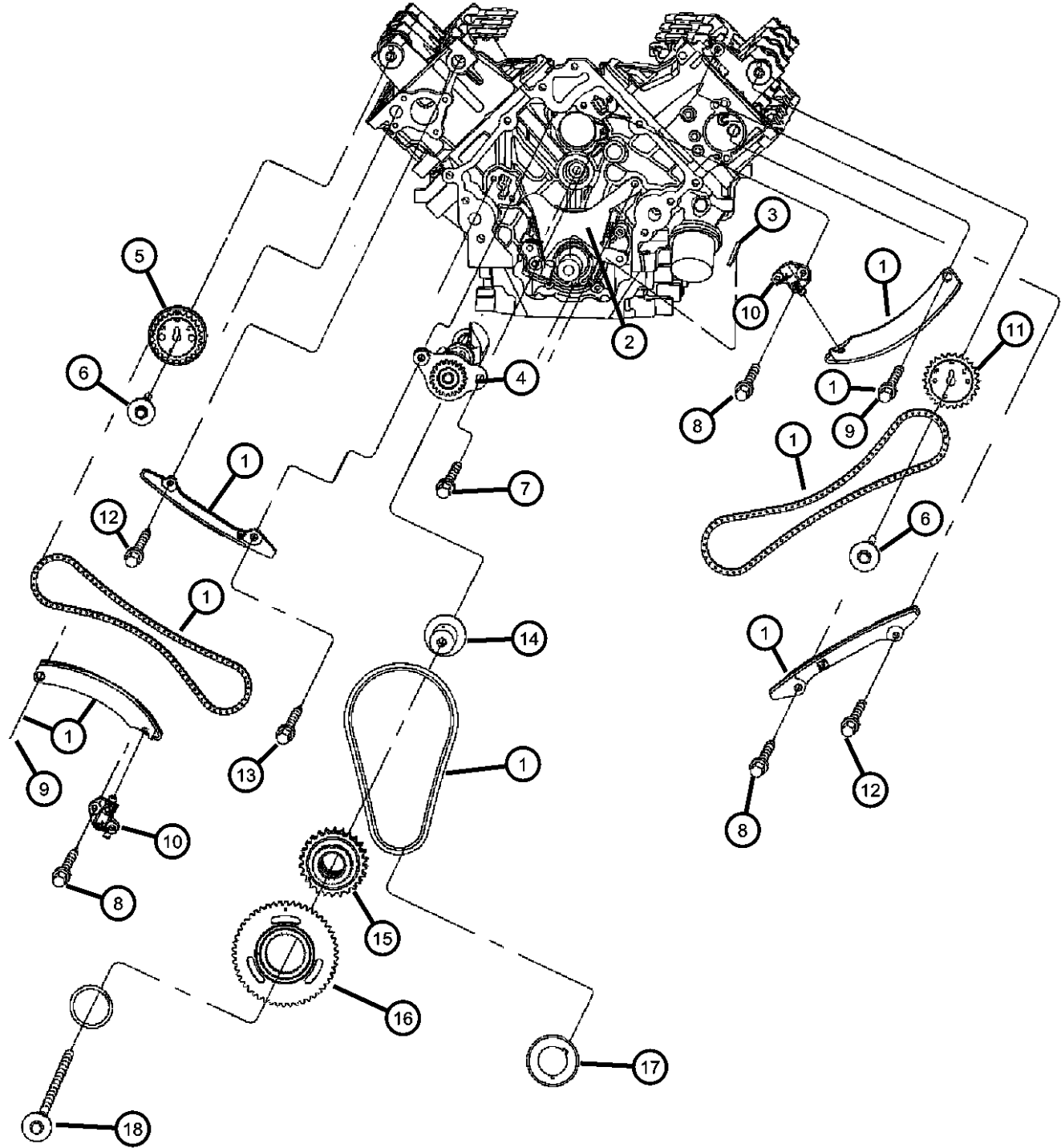
1	05019423AD	1				EK0			TIMING DRIVE PACKAGE, Engine
2	53020681	1				EK0			TENSIONER, Chain, Primary, Also serviced in Timing Drive Package
3	06504471	1				EK0			KEY, Woodruff, M5X62.00
4	53020818	1				EK0			SHAFT, Balance
5	53021291AD	1				EK0			SPROCKET, Camshaft, Right
6	06504429	2				EK0			SCREW AND WASHER, Hex, M12X1.75X35.00, Sprocket To Camshaft, Mounting
7	06100295	1				EK0			SCREW AND WASHER, Hex Head, M8x1.25x20, Balance Shaft To Engine Block, Mounting
8	06503257	5				EK0			BOLT, Hex Head, M8x1.25x37.50
9	06506028AA	2				EK0			SCREW, M8X1.25X45.0, Secondary Tensioner Arm To Cylinder Head, Mounting
10									TENSIONER, Chain, Secondary
	53021249AA	1				EK0			Right, Right
	53021250AA	1				EK0			Left, Left
11	53021290AA	1				EK0			SPROCKET, Camshaft, Left

LIBERTY (KJ)		BODY		ENGINE		TRANSMISSION	
SERIES	LINE						
H = HIGHLINE	T = JEEP - 2WD	74 = SPORT UTILITY 4-DR		EKG = 3.7L V6 Engine	DG6 = 4-Spd. Automatic 42RLE		
M = MEDIUM	J = JEEP - 4WD			ENR = 2.8L 4 Cyl Turbo Diesel Engine	Transmission		
P = PREMIUM	U = JEEP - 4WD (RHD)			ENJ = 2.5L 4 Cyl 16V Turbo Diesel Engine	DGV = 4-Spd. Automatic VLP		
				ED1 = 2.4L 4 Cyl DOHC 16V SMPI Engine	Transmission		
					DGQ = 5-Spd Automatic 5-45RFE		
					Transmission		
					DEH = 6-Speed Manual NSG370		
					Transmission		
					DDD = 5-Speed HD Manual		
					Transmission		
					DDK = 5-Speed HD Manual		
					Transmission		

AR = use ase required - = Non illustrated part

**Timing Chain and Guides, 3.7L [EKG]  
Figure 3.7L-610**

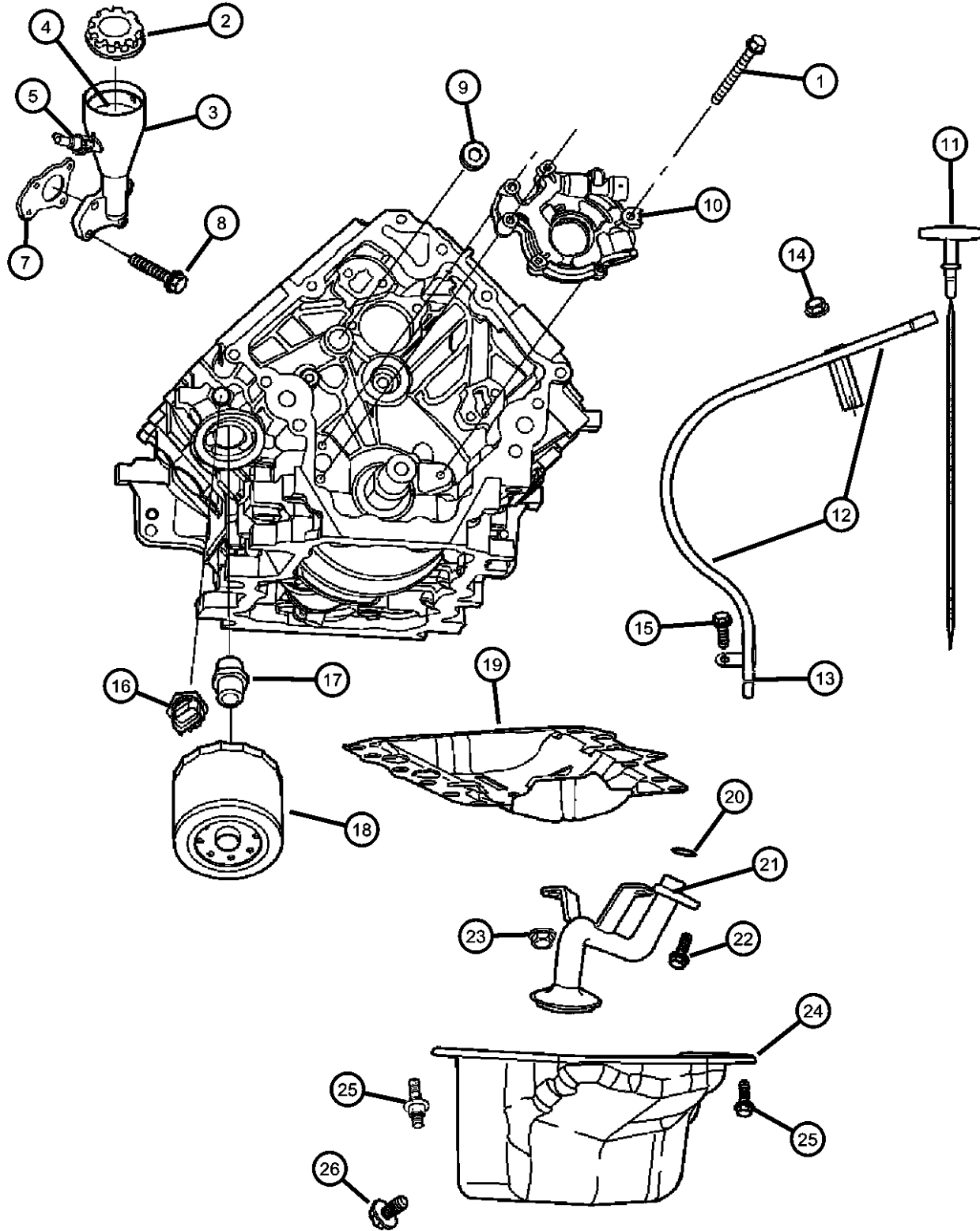
ITEM	PART NUMBER	QTY	LINE	SERIES	BODY	ENGINE	TRANS	TRIM	DESCRIPTION
12	06102111AA	2				EK0			SCREW AND WASHER, M8X1.25X45.00, Timing Guide To Cylinder Head, Mounting
13	06102190AA	1				EK0			SCREW, M8X1.25X57.0, Chain Guide Right, Mounting
14	53020835	1				EK0			SHAFT, Idler
15	53021298AB	1				EK0			SHAFT, Balance, Driver
16	53021170AA	1				EK0			SPROCKET, Idler
17	53020679	1				EK0			SPROCKET, Crankshaft
18	06504370	1				EK0			SCREW AND WASHER, Hex, M10X1.50X110.00, Idler Sprocket To Engine Block, Mounting



<b>LIBERTY (KJ)</b>				
SERIES	LINE	BODY	ENGINE	TRANSMISSION
H = HIGHLINE	T = JEEP - 2WD	74 = SPORT UTILITY 4-DR	EKG = 3.7L V6 Engine	DG6 = 4-Spd. Automatic 42RLE
M = MEDIUM	J = JEEP - 4WD		ENR = 2.8L 4 Cyl Turbo Diesel Engine	Transmission
P = PREMIUM	U = JEEP - 4WD (RHD)		ENJ = 2.5L 4 Cyl 16V Turbo Diesel Engine	DGV = 4-Spd. Automatic VLP
			ED1 = 2.4L 4 Cyl DOHC 16v SMPI Engine	Transmission
				DGQ = 5-Spd Automatic 5-45RFE
				Transmission
				DEH = 6-Speed Manual NSG370
				Transmission
				DDD = 5-Speed HD Manual
				Transmission
				DDK = 5-Speed HD Manual
				Transmission

AR = use ase required - = Non illustrated part

**Engine Oiling, 3.7L [EKG]  
Figure 3.7L-705**



ITEM	PART NUMBER	QTY	LINE	SERIES	BODY	ENGINE	TRANS	TRIM	DESCRIPTION
------	-------------	-----	------	--------	------	--------	-------	------	-------------

**NOTE:**

Sales Codes:  
 [DBB]=All Manual Transmissions  
 [DEH]=6-Speed Manual NSG370 Transmission  
 [DGQ]=5-Speed Automatic 5-45RFE Transmission  
 [DGV]=4-Speed Automatic VLP Transmission  
 [DG0]=All Automatic Transmissions  
 [DG6]=4-Speed Automatic 42RLE Transmission  
 [DHE]=Command-Trac H.D. Part Time NVG 241 GII Transfer Case  
 [DHN]=Command-Trac Part Time NVG 231 Transfer Case  
 [DHP]=Selec-Trac Full Time NVG 242 Transfer Case  
 [EKG]=3.7L "Magnum" V-6 Engine  
 [EK0]=All 3.7L 6-Cylinder Gas Engines  
 [ENR]=2.8L 4-Cylinder Turbo Diesel Engine  
 [EN0]=All 4/5 Cylinder Diesel Engines  
 [NAA]=Federal Emissions  
 [NAE]=California Emissions  
 [NAS]=50 States Emissions  
 [NA1]=Export Emissions

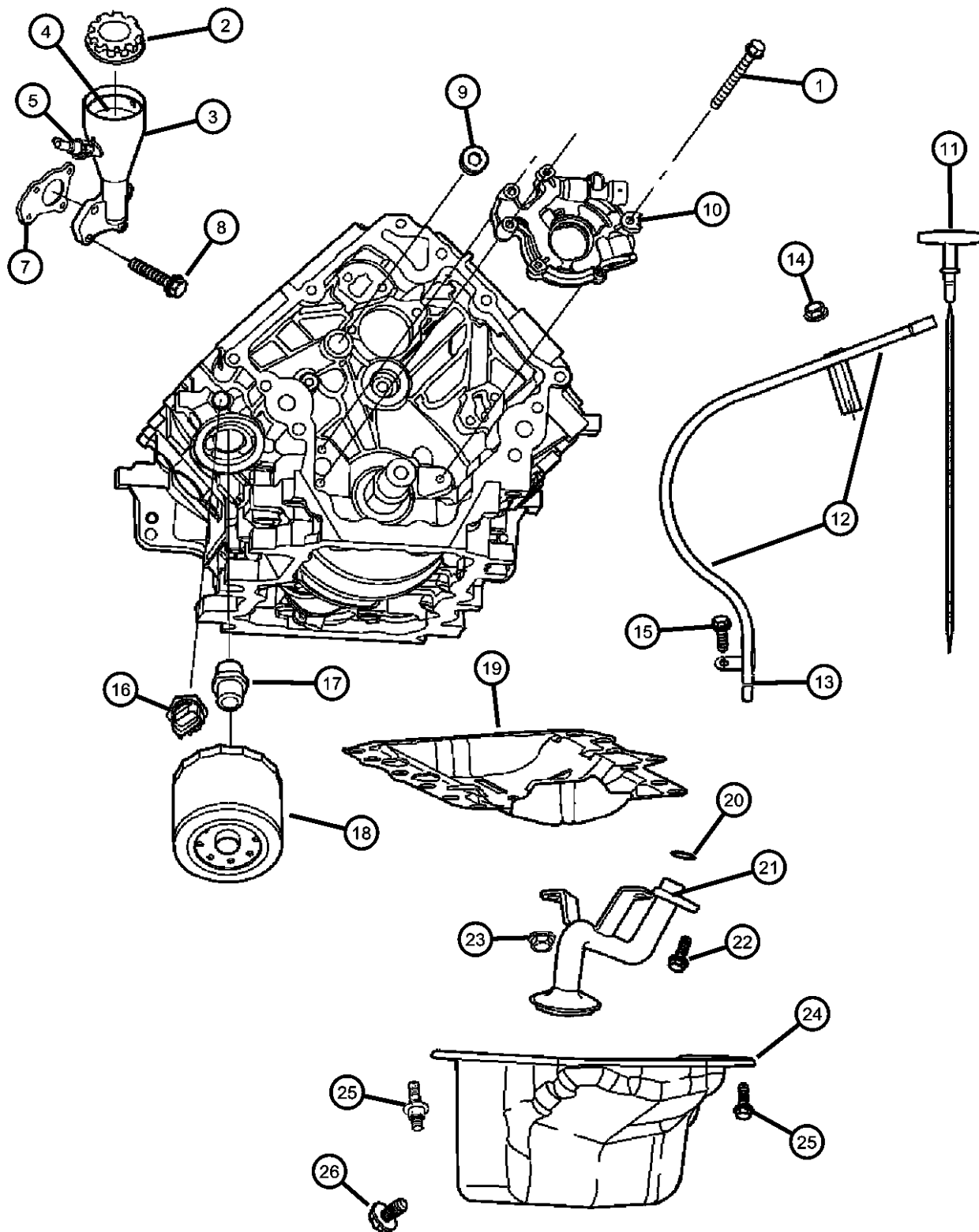
1	06100932	1				EK0			BOLT, Hex, M8X1.25X60.00, Oil Pump Mounting
2	53032389AD	1				EK0			CAP, Oil Filler
3	53020890	1				EK0			HOUSING, Oil Fill
4	53032126AA	1				EK0			BAFFLE, Oil Fill, None
5	53032800AA	1				EK0			VALVE, Crankcase Vent
-6	53031711AA	1				EK0			O RING
7	53020889AC	1				EK0			GASKET, Oil Fill Housing
8	06505504AA	3				EK0			SCREW, M6X1.00X27.00, Housing To Cylinder Block, Mounting
9	06036114AA	4				EK0			PLUG, Pipe, 500-14X.560
10	53020827AB	1				EK0			PUMP, Engine Oil
11	53021026AH	1				EK0			INDICATOR, Engine Oil Level
12	53021274AF	1				EK0			TUBE, Oil Gauge
13	53021144AA	1				EK0			O RING, Engine Oil Indicator
14	06102050AA	1				EK0			SCREW, Hex Flange Head, M6.3 x 1.81 x 15.00, Oil Level Indicator Tube To Block, Mounting

**LIBERTY (KJ)**

SERIES	LINE	BODY	ENGINE	TRANSMISSION
H = HIGHLINE	T = JEEP - 2WD	74 = SPORT UTILITY 4-DR	EKG = 3.7L V6 Engine	DG6 = 4-Spd. Automatic 42RLE Transmission
M = MEDIUM	J = JEEP - 4WD		ENR = 2.8L 4 Cyl Turbo Diesel Engine	DGV = 4-Spd. Automatic VLP Transmission
P = PREMIUM	U = JEEP - 4WD (RHD)		ENJ = 2.5L 4 Cyl 16V Turbo Diesel Engine	DGQ = 5-Spd Automatic 5-45RFE Transmission
			ED1 = 2.4L 4 Cyl DOHC 16v SMPI Engine	DEH = 6-Speed Manual NSG370 Transmission
				DDD = 5-Speed HD Manual Transmission
				DDK = 5-Speed HD Manual Transmission

AR = use ase required - = Non illustrated part

**Engine Oiling, 3.7L [EKG]  
Figure 3.7L-705**



ITEM	PART NUMBER	QTY	LINE	SERIES	BODY	ENGINE	TRANS	TRIM	DESCRIPTION
15	06504810AA	1				EK0			SCREW AND WASHER, Hex, M6X1.00X20.00, Oil Level Indicator Tube To Block, Mounting
16	04868672AA	1				EK0			SWITCH, Oil Pressure
17	53007563	1				EK0			CONNECTOR, Oil Filter
18	04781452BB	1				EK0			FILTER, Engine Oil
19	53021001AB	1				EK0			GASKET, Oil Pan
20	53020861	1				EK0			SEAL, Oil Pick Up Tube
21	53021776AA	1				EK0			TUBE, Oil Pickup
22	06102046AA	1				EK0			SCREW AND WASHER, M8X1.25X27.00, Oil Pick Up Tube To Engine, Mounting
23	06502756	2				EK0			NUT, Hex Lock, M8x1.25, Oil Pick Up Tube To Engine, Mounting
24	53021779AB	1				EK0			PAN, Engine Oil
25	06504810AA	16				EK0			SCREW AND WASHER, Hex, M6X1.00X20.00, Oil Pan To Block, Mounting
26	06506100AA	1				EK0			PLUG, Oil Drain, M14X1.5X20.0

**LIBERTY (KJ)**

SERIES      LINE  
H = HIGHLINE    T = JEEP - 2WD  
M = MEDIUM     J = JEEP - 4WD  
P = PREMIUM    U = JEEP - 4WD (RHD)

BODY  
74 = SPORT UTILITY 4-DR

ENGINE      TRANSMISSION  
EKG = 3.7L V6 Engine      DG6 = 4-Spd. Automatic 42RLE  
ENR = 2.8L 4 Cyl Turbo Diesel Engine      Transmission  
ENJ = 2.5L 4 Cyl 16V Turbo Diesel Engine      DGV = 4-Spd. Automatic VLP  
ED1 = 2.4L 4 Cyl DOHC 16v SMPI Engine      Transmission  
DGQ = 5-Spd Automatic 5-45RFE  
DEH = 6-Speed Manual NSG370  
Transmission  
DDD = 5-Speed HD Manual  
Transmission  
DDK = 5-Speed HD Manual  
Transmission

AR = use ase required - = Non illustrated part

2006 KJ

**Engine Oil Splash Guard 3.7L [EKG]  
Figure 3.7L-710**

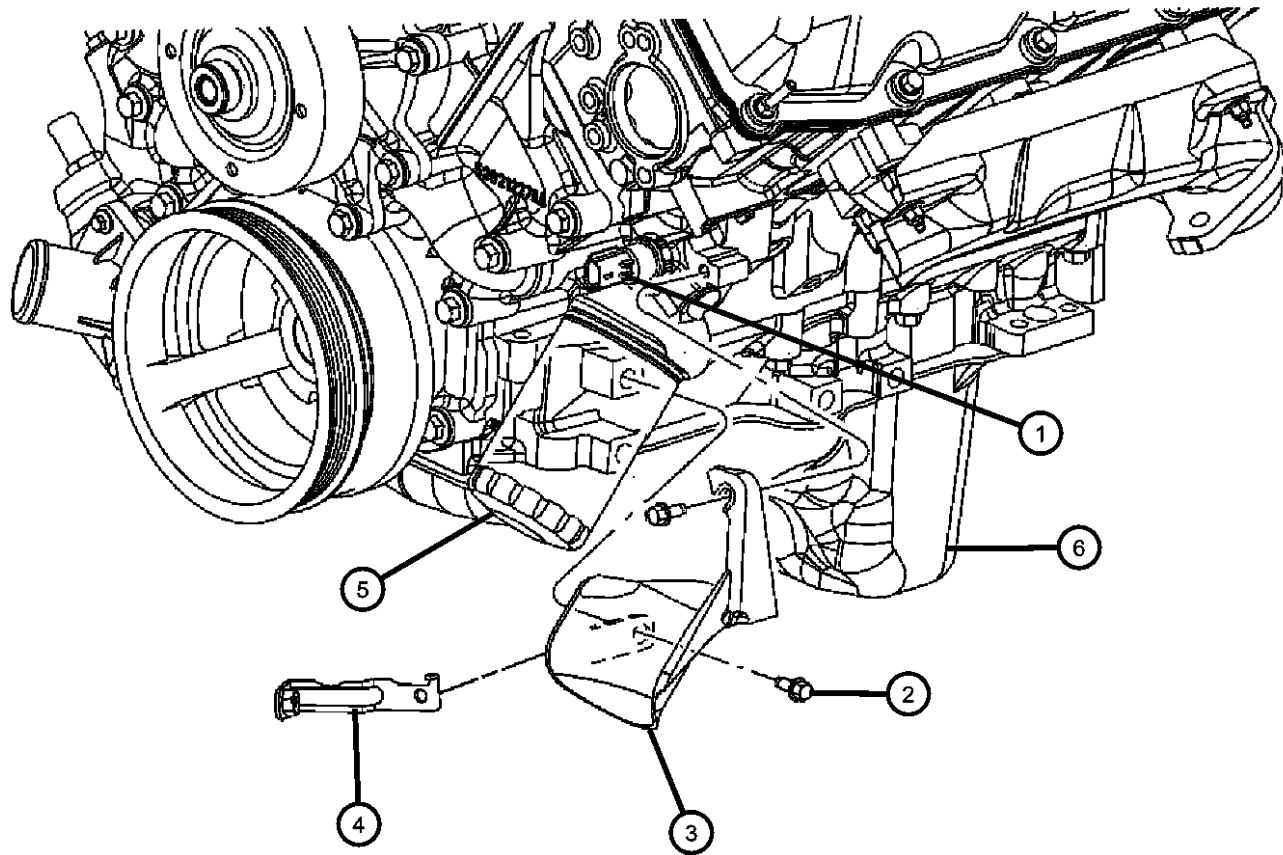
ITEM	PART NUMBER	QTY	LINE	SERIES	BODY	ENGINE	TRANS	TRIM	DESCRIPTION
------	-------------	-----	------	--------	------	--------	-------	------	-------------

NOTE:

Sales Codes:

- [DHE] = Command-Trac Shift-On-The-Fly 241 Transfer Case
- [DHN] = Command-Trac Part Time 4WD System 231 Transfer Case
- [DHP] = Selec-Trac Full Time 4WD System 242 Transfer Case
- [EKG] = Magnym 3.7L V-6 Engine
- [EK0] = All 3.7L 6 Cylinder Engines
- [NAA] = Federal Emissions
- [NAE] = California Emissions
- [NAS] = 50 State Emissions
- [NA1] = Export Emissions
- [XEF] = Transfer Case Skid Plate Sheild

1	04868672AA	1				EK0			SWITCH, Oil Pressure
2	06100050	1	J, U			EK0			NUT AND WASHER, Hex, M8x1.25
3	53013506AB	1	J, U			EK0			GUARD, Splash
4	53013506AB	1							BRACKET, (NOT REQUIRED)
5	04781452BB	1				EK0			FILTER, Engine Oil
6	53021779AB	1				EK0			PAN, Engine Oil



**LIBERTY (KJ)**

SERIES      LINE  
H = HIGHLINE    T = JEEP - 2WD  
M = MEDIUM     J = JEEP - 4WD  
P = PREMIUM    U = JEEP - 4WD (RHD)

BODY  
74 = SPORT UTILITY 4-DR

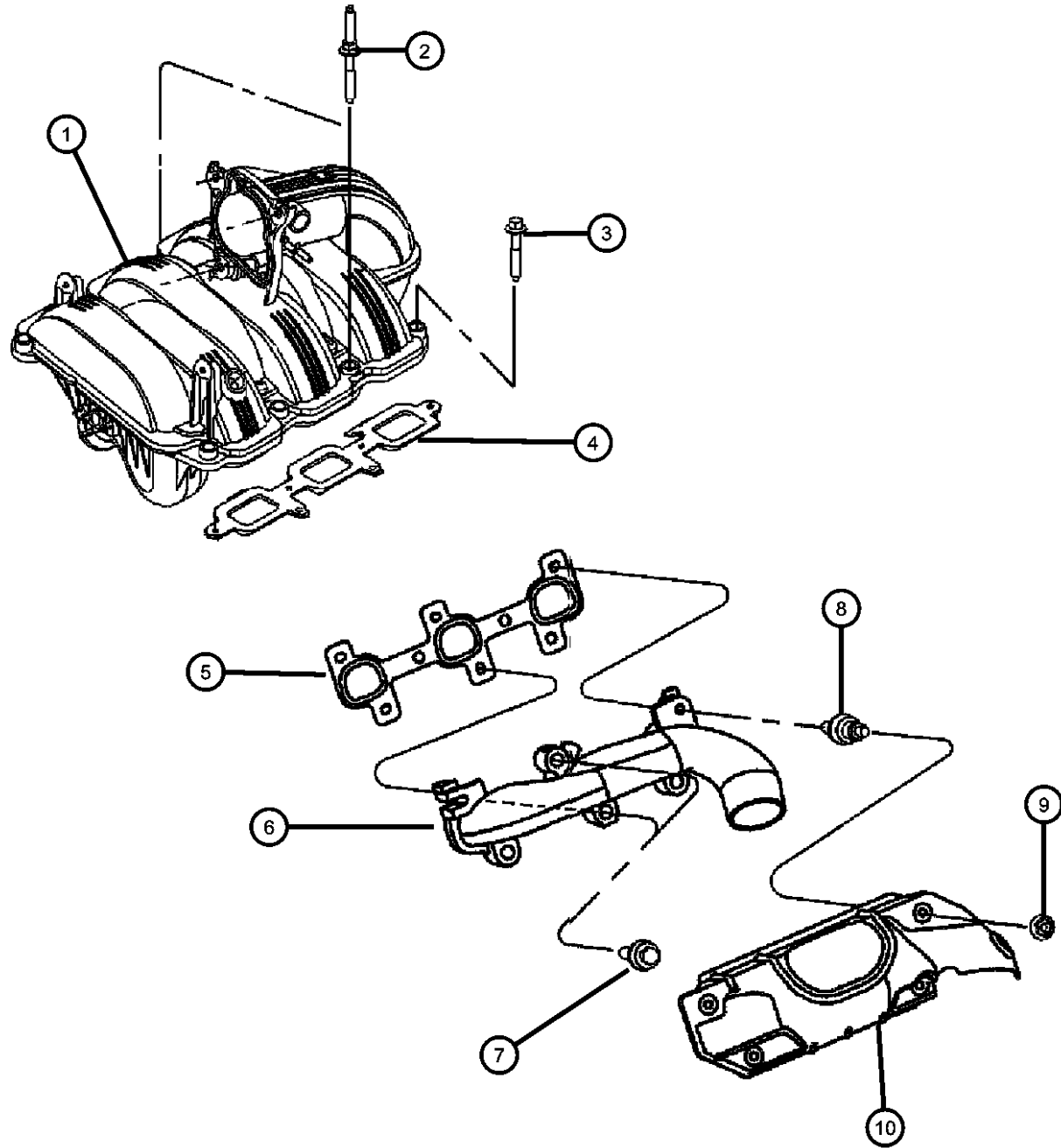
ENGINE  
EKG = 3.7L V6 Engine  
ENR = 2.8L 4 Cyl Turbo Diesel Engine  
ENJ = 2.5L 4 Cyl 16V Turbo Diesel Engine  
ED1 = 2.4L 4 Cyl DOHC 16v SMPI Engine

TRANSMISSION  
DG6 = 4-Spd. Automatic 42RLE Transmission  
DGV = 4-Spd. Automatic VLP Transmission  
DGQ = 5-Spd Automatic 5-45RFE Transmission  
DEH = 6-Speed Manual NSG370 Transmission  
DDD = 5-Speed HD Manual Transmission  
DDK = 5-Speed HD Manual Transmission

AR = use ase required    - = Non illustrated part

2006 KJ

**Manifolds, Intake and Exhaust, 3.7L [EKG]  
Figure 3.7L-805**



ITEM	PART NUMBER	QTY	LINE	SERIES	BODY	ENGINE	TRANS	TRIM	DESCRIPTION
------	-------------	-----	------	--------	------	--------	-------	------	-------------

**NOTE:**

Sales Codes:  
 [DBB]=All Manual Transmissions  
 [DEH]=6-Speed Manual NSG370 Transmission  
 [DGQ]=5-Speed Automatic 5-45RFE Transmission  
 [DGV]=4-Speed Automatic VLP Transmission  
 [DG0]=All Automatic Transmissions  
 [DG6]=4-Speed Automatic 42RLE Transmission  
 [DHE]=Command-Trac H.D. Part Time NVG 241 GII Transfer Case  
 [DHN]=Command-Trac Part Time NVG 231 Transfer Case  
 [DHP]=Selec-Trac Full Time NVG 242 Transfer Case  
 [EKG]=3.7L "Magnum" V-6 Engine  
 [EK0]=All 3.7L 6-Cylinder Gas Engines  
 [ENR]=2.8L 4-Cylinder Turbo Diesel Engine  
 [EN0]=All 4/5 Cylinder Diesel Engines  
 [NAA]=Federal Emissions  
 [NAE]=California Emissions  
 [NAS]=50 States Emissions  
 [NA1]=Export Emissions

1	53032803AA	1				EK0			MANIFOLD, Intake
2	06507434AA	7				EK0			STUD, Double Ended, M6X1.00X80.00, Intake Manifold To Cylinder Head, Mounting
3	06507433AA	1				EK0			SCREW, Hex Flange Head, M6X1.00X43.00, Intake Manifold To Cylinder Head, Mounting
4	53010310AB	6				EK0			SEAL, Intake Manifold
5									GASKET, Exhaust Manifold
	53031090	1				EK0			Right
	53031091	1				EK0			Left
6									MANIFOLD, Exhaust
	53013691AA	1				EK0			Left
	53013692AA	1				EK0			Right
7	06507746AA	4				EK0			BOLT, Exhaust Manifold, M8X1.25X46.00Mounting
8	06508220AA	8				EK0			STUD, Exhaust Manifold, M8X1.25/M6X1.00X86.00Mounting
9	06505316AA	8				EK0			NUT, M6X1.00Mounting
10									SHIELD, Exhaust Manifold

**LIBERTY (KJ)**

SERIES      LINE  
 H = HIGHLINE    T = JEEP - 2WD  
 M = MEDIUM      J = JEEP - 4WD  
 P = PREMIUM      U = JEEP - 4WD (RHD)

BODY  
 74 = SPORT UTILITY 4-DR

ENGINE  
 EKG = 3.7L V6 Engine  
 ENR = 2.8L 4 Cyl Turbo Diesel Engine  
 ENJ = 2.5L 4 Cyl 16V Turbo Diesel Engine  
 ED1 = 2.4L 4 Cyl DOHC 16v SMPI Engine

TRANSMISSION  
 DG6 = 4-Spd. Automatic 42RLE Transmission  
 DGV = 4-Spd. Automatic VLP Transmission  
 DGQ = 5-Spd Automatic 5-45RFE Transmission  
 DEH = 6-Speed Manual NSG370 Transmission  
 DDD = 5-Speed HD Manual Transmission  
 DDK = 5-Speed HD Manual Transmission

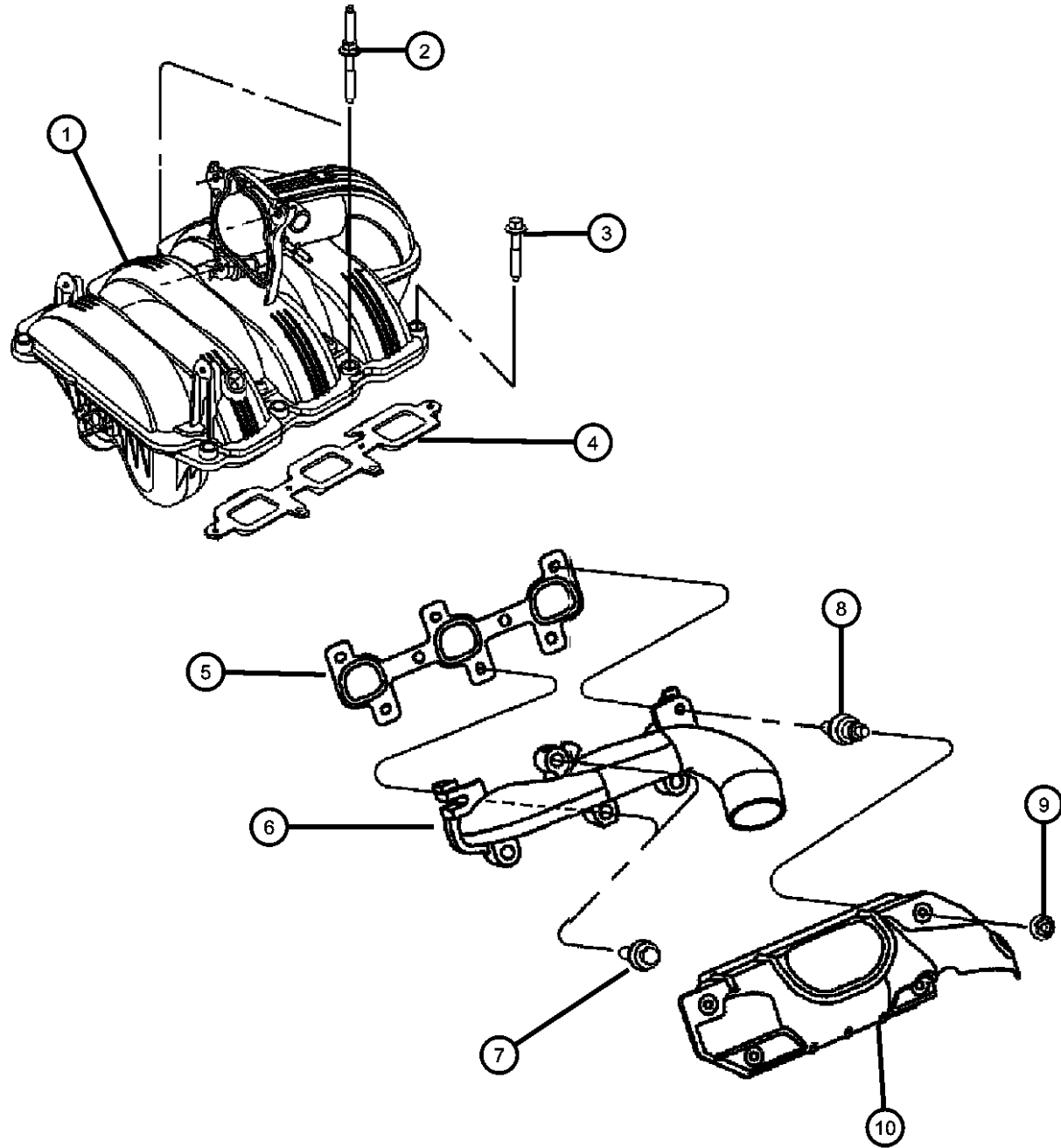
AR = use ase required    - = Non illustrated part

2006 KJ



**Manifolds, Intake and Exhaust, 3.7L [EKG]  
Figure 3.7L-805**

ITEM	PART NUMBER	QTY	LINE	SERIES	BODY	ENGINE	TRANS	TRIM	DESCRIPTION
	53031092AC	1				EK0			Right
	53031093AC	1				EK0			Left



**LIBERTY (KJ)**

SERIES      LINE  
H = HIGHLINE    T = JEEP - 2WD  
M = MEDIUM     J = JEEP - 4WD  
P = PREMIUM    U = JEEP - 4WD (RHD)

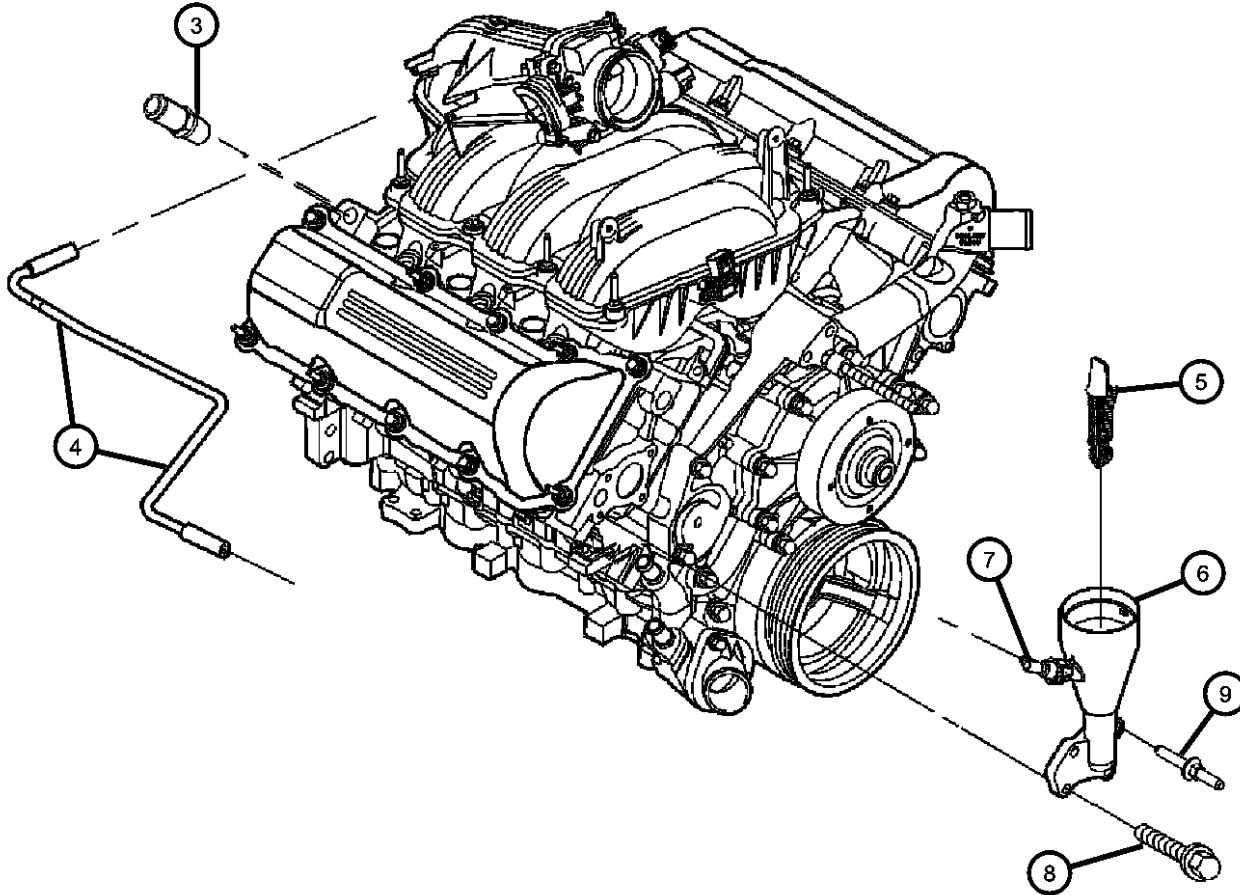
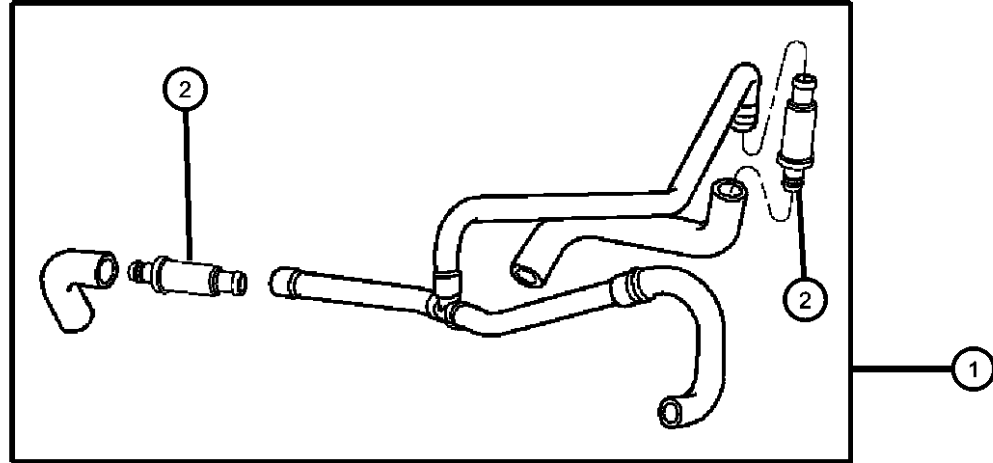
BODY  
74 = SPORT UTILITY 4-DR

ENGINE      TRANSMISSION  
EKG = 3.7L V6 Engine      DG6 = 4-Spd. Automatic 42RLE  
ENR = 2.8L 4 Cyl Turbo Diesel Engine      DGV = 4-Spd. Automatic VLP  
ENJ = 2.5L 4 Cyl 16V Turbo Diesel Engine      DGQ = 5-Spd Automatic 5-45RFE  
ED1 = 2.4L 4 Cyl DOHC 16v SMPI Engine      DEH = 6-Speed Manual NSG370  
Transmission  
DDD = 5-Speed HD Manual Transmission  
DDK = 5-Speed HD Manual Transmission

AR = use ase required    - = Non illustrated part

**Crankcase Ventilation 3.7L [EKG]  
Figure 3.7L-905**

ITEM	PART NUMBER	QTY	LINE	SERIES	BODY	ENGINE	TRANS	TRIM	DESCRIPTION
------	-------------	-----	------	--------	------	--------	-------	------	-------------



**NOTE:**

**Sales Codes:**

- [DBB]=All Manual Transmissions
- [DEH]=6-Speed Manual NSG370 Transmission
- [DGQ]=5-Speed Automatic 5-45RFE Transmission
- [DGV]=4-Speed Automatic VLP Transmission
- [DG0]=All Automatic Transmissions
- [DG6]=4-Speed Automatic 42RLE Transmission
- [DHE]=Command-Trac H.D. Part Time NVG 241 GII Transfer Case
- [DHN]=Command-Trac Part Time NVG 231 Transfer Case
- [DHP]=Selec-Trac Full Time NVG 242 Transfer Case
- [EKG]=3.7L "Magnum" V-6 Engine
- [EK0]=All 3.7L 6-Cylinder Gas Engines
- [ENR]=2.8L 4-Cylinder Turbo Diesel Engine
- [EN0]=All 4/5 Cylinder Diesel Engines
- [NAA]=Federal Emissions
- [NAE]=California Emissions
- [NAS]=50 States Emissions
- [NA1]=Export Emissions

1	53013723AC	1				EK0			HOSE, Cylinder Head to Air Cleaner
2	53013723AC	1							BREATHER, Crankcase, Serviced With Hose. Item 1, (NOT SERVICED)
3	06035854	2				EK0			NIPPLE
4	53031133AE	1				EK0			TUBE, Crankcase Vent To Intake Manifold
5	53032126AA	1				EK0			BAFFLE, Oil Fill, None
6	53020890	1				EK0			HOUSING, Oil Fill
7	53032800AA	1				EK0			VALVE, Crankcase Vent
8	06505504AA	3				EK0			SCREW, M6X1.00X27.00, Oil Fill Housing To Cylinder Block
9	06505566AA	1				EK0			STUD, M6X1.00X51.9, Oil Fill Housing To Cylinder Block

**LIBERTY (KJ)**

SERIES	LINE
H = HIGHLINE	T = JEEP - 2WD
M = MEDIUM	J = JEEP - 4WD
P = PREMIUM	U = JEEP - 4WD (RHD)

BODY
74 = SPORT UTILITY 4-DR

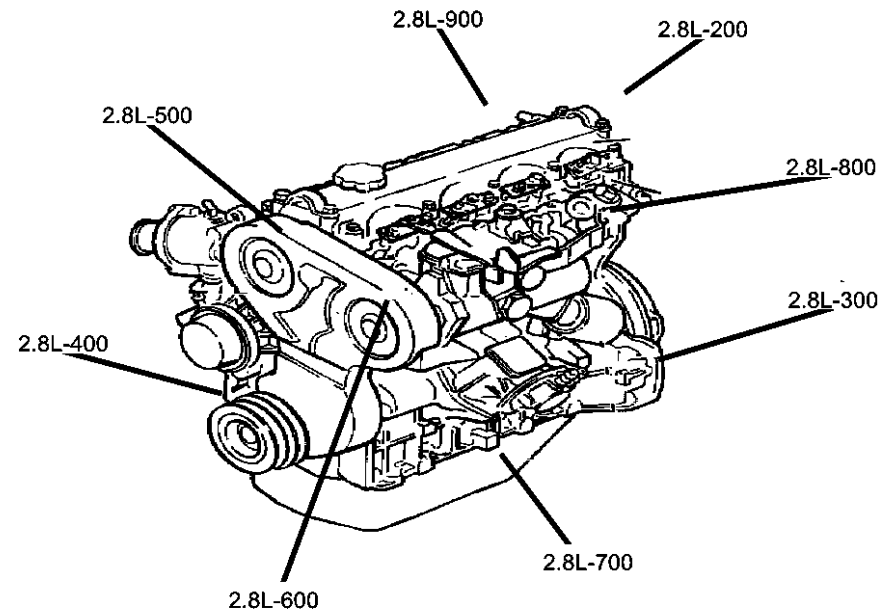
ENGINE	TRANSMISSION
EKG = 3.7L V6 Engine	DG6 = 4-Spd. Automatic 42RLE Transmission
ENR = 2.8L 4 Cyl Turbo Diesel Engine	DGV = 4-Spd. Automatic VLP Transmission
ENJ = 2.5L 4 Cyl 16V Turbo Diesel Engine	DGQ = 5-Spd Automatic 5-45RFE Transmission
ED1 = 2.4L 4 Cyl DOHC 16v SMPI Engine	DEH = 6-Speed Manual NSG370 Transmission
	DDD = 5-Speed HD Manual Transmission
	DDK = 5-Speed HD Manual Transmission

AR = use ase required - = Non illustrated part

2006 KJ

# Group - 2.8L

## Engine 2.8L Four Cylinder (Turbo Diesel)



## Group - 2.8L Engine 2.8L Four Cylinder (Turbo Diesel)

Illustration Title	Group-Fig. No.
<b>Cylinder Head</b>	
Engine Assembly, And Cover 2.8L Diesel [ENR] .....	Fig. 2.8L - 205
Cylinder Head 2.8L Diesel [ENR] .....	Fig. 2.8L - 210
<b>Cylinder Block</b>	
Cylinder Block 2.8L Diesel [ENR] .....	Fig. 2.8L - 305
<b>Crankshaft, Piston and Drive Plate</b>	
Crankshaft, Pistons and Related, 2.8L Diesel [ENR] .....	Fig. 2.8L - 405
<b>Camshafts &amp; Valves</b>	
Camshaft and Valves, 2.8L Diesel [ENR] .....	Fig. 2.8L - 505
<b>Timing Belt and Cover</b>	
Timing Cover, Belt and Gears 2.8L Diesel [ENR] .....	Fig. 2.8L - 605
<b>Engine Oiling</b>	
Engine Oiling 2.8L Diesel [ENR] .....	Fig. 2.8L - 705
Oil Passages and Oil Cooler 2.8L Diesel [ENR] .....	Fig. 2.8L - 710
<b>Manifolds</b>	
Exhaust Manifold and Vacuum Line 2.8L Diesel [ENR] .....	Fig. 2.8L - 805
Intake Manifold Air Lines 2.8L Diesel [ENR] .....	Fig. 2.8L - 810
<b>Crankcase Ventilation</b>	
Crankcase Ventilation 2.8L Diesel [ENR] .....	Fig. 2.8L - 905

<b>2.8L-200</b> Cylinder Head 	<b>2.8L-300</b> Cylinder Block 	<b>2.8L-400</b> Crankshaft, Piston and Drive Plate 	<b>2.8L-500</b> Camshafts & Valves 
<b>2.8L-600</b> Timing Belt and Cover 	<b>2.8L-700</b> Engine Oiling 	<b>2.8L-800</b> Manifolds 	<b>2.8L-900</b> Crankcase Ventilation 

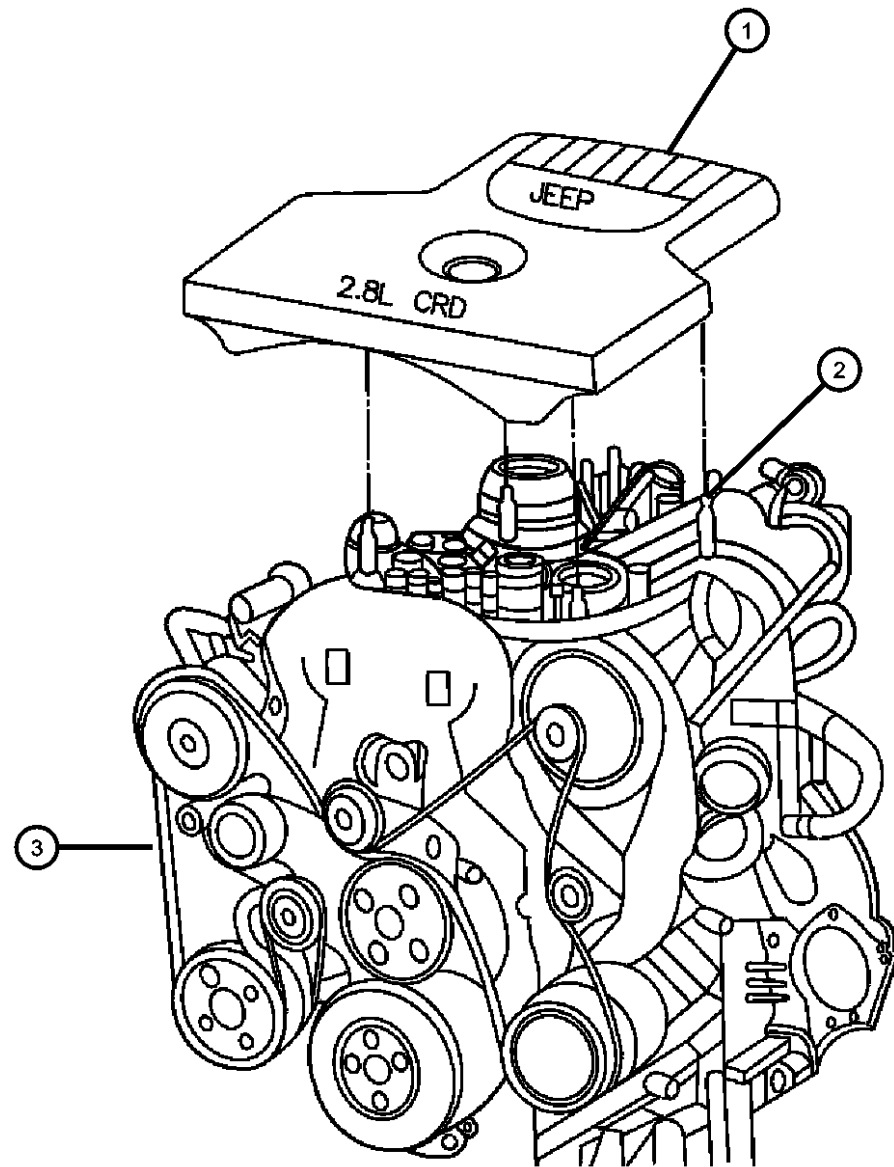
**Engine Assembly, And Cover 2.8L Diesel [ENR]  
Figure 2.8L-205**

ITEM	PART NUMBER	QTY	LINE	SERIES	BODY	ENGINE	TRANS	TRIM	DESCRIPTION
------	-------------	-----	------	--------	------	--------	-------	------	-------------

NOTE:

Sales Codes:

- [DBB]=All Manual Transmissions
- [DEH]=6-Speed Manual NSG370 Transmission
- [DGQ]=5-Speed Automatic 5-45RFE Transmission
- [DGV]=4-Speed Automatic VLP Transmission
- [DG0]=All Automatic Transmissions
- [DG6]=4-Speed Automatic 42RLE Transmission
- [DHE]=Command-Trac H.D. Part Time NVG 241 GII Transfer Case
- [DHN]=Command-Trac Part Time NVG 231 Transfer Case
- [DHP]=Selec-Trac Full Time NVG 242 Transfer Case
- [EKG]=3.7L "Magnum" V-6 Engine
- [EK0]=All 3.7L 6-Cylinder Gas Engines
- [ENR]=2.8L 4-Cylinder Turbo Diesel Engine
- [EN0]=All 4/5 Cylinder Diesel Engines
- [NAA]=Federal Emissions
- [NAE]=California Emissions
- [NAS]=50 States Emissions



1	53013813AB	1				EN0			COVER, Engine
2	53013813AB	1							BALL STUD, (NOT SERVICED)
3									BELT, Accessory Drive
	05072437AC	1				EN0	DG0		
		1				EN0	DBB		
4	53014014AC	1				EN0	DG0		ENGINE, Complete

**LIBERTY (KJ)**

SERIES      LINE  
H = HIGHLINE    T = JEEP - 2WD  
M = MEDIUM     J = JEEP - 4WD  
P = PREMIUM    U = JEEP - 4WD (RHD)

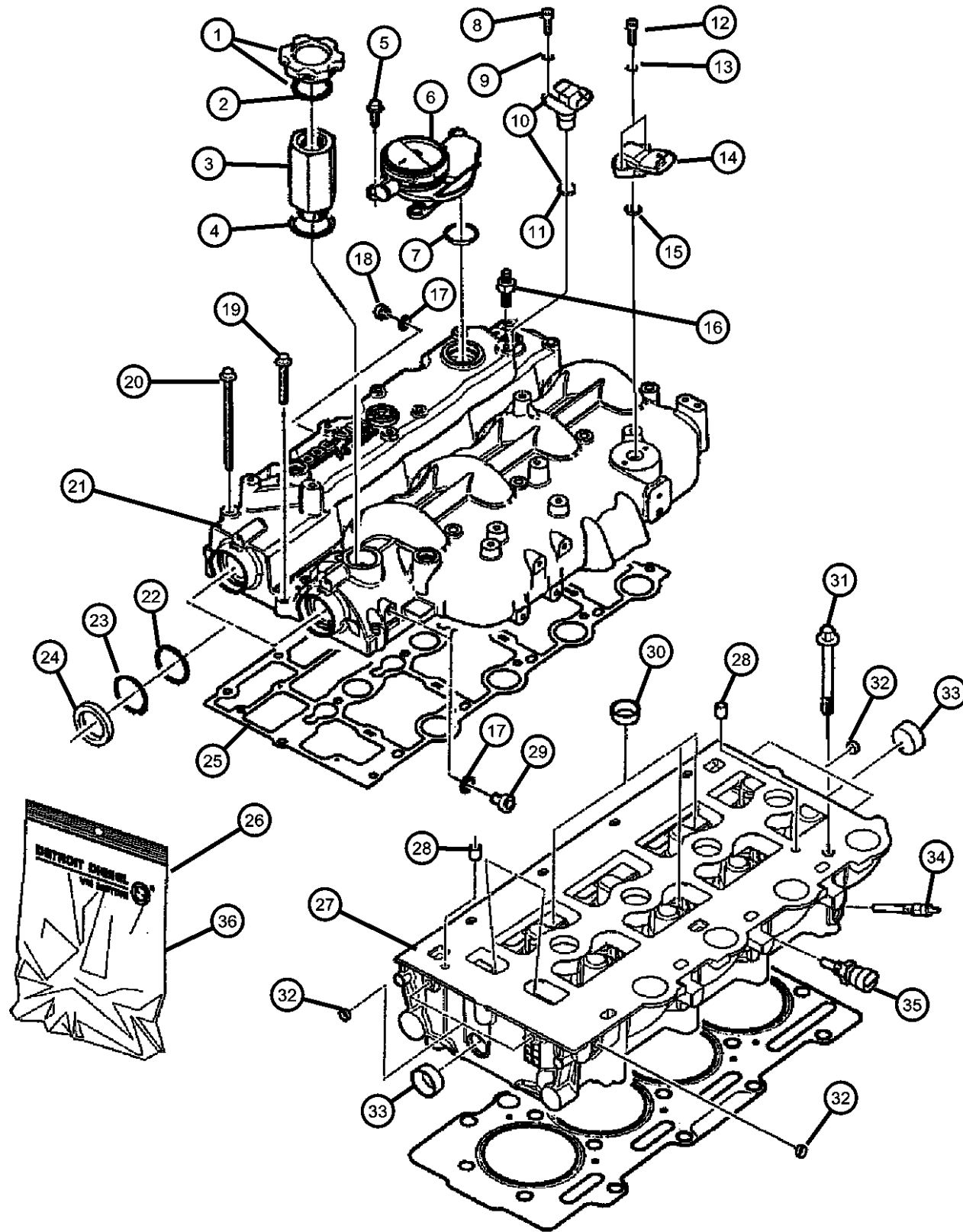
BODY  
74 = SPORT UTILITY 4-DR

ENGINE      TRANSMISSION  
EKG = 3.7L V6 Engine      DG6 = 4-Spd. Automatic 42RLE  
ENR = 2.8L 4 Cyl Turbo Diesel      Transmission  
Engine      DGV = 4-Spd. Automatic VLP  
ENJ = 2.5L 4 Cyl 16V Turbo      Transmission  
Diesel Engine      DGQ = 5-Spd Automatic 5-45RFE  
ED1 = 2.4L 4 Cyl DOHC 16v      Transmission  
SMPI Engine      DEH = 6-Speed Manual NSG370  
Transmission  
DDD = 5-Speed HD Manual  
Transmission  
DDK = 5-Speed HD Manual  
Transmission

AR = use ase required    - = Non illustrated part

2006 KJ

**Cylinder Head 2.8L Diesel [ENR]  
Figure 2.8L-210**



ITEM	PART NUMBER	QTY	LINE	SERIES	BODY	ENGINE	TRANS	TRIM	DESCRIPTION
------	-------------	-----	------	--------	------	--------	-------	------	-------------

**NOTE:**

Sales Codes:

- [DBB]=All Manual Transmissions
- [DEH]=6-Speed Manual NSG370 Transmission
- [DGQ]=5-Speed Automatic 5-45RFE Transmission
- [DGV]=4-Speed Automatic VLP Transmission
- [DG0]=All Automatic Transmissions
- [DG6]=4-Speed Automatic 42RLE Transmission
- [DHE]=Command-Trac H.D. Part Time NVG 241 GII Transfer Case
- [DHN]=Command-Trac Part Time NVG 231 Transfer Case
- [DHP]=Selec-Trac Full Time NVG 242 Transfer Case
- [EKG]=3.7L "Magnum" V-6 Engine
- [EK0]=All 3.7L 6-Cylinder Gas Engines
- [ENR]=2.8L 4-Cylinder Turbo Diesel Engine
- [EN0]=All 4/5 Cylinder Diesel Engines
- [NAA]=Federal Emissions
- [NAE]=California Emissions
- [NAS]=50 States Emissions

1									CAP, Oil Filler
	04863741	1				EN0	DG0		
		1				EN0	DBB		
2									GASKET, Oil Filler Cap
	04720300	1				EN0	DG0		
		1				EN0	DBB		
3									SPACER, Oil Filler
	05072678AA	1				EN0	DBB		
	05170788AA	1				EN0	DG0		
4									GASKET, Oil Filler Connector
	05066853AA	1				EN0	DG0		
		1				EN0	DBB		
5									SCREW
	05003553AB	6				EN0	DG0		
		6				EN0	DBB		
6									VALVE, Pressure Control
	05114348AB	1				EN0	DG0		

**LIBERTY (KJ)**

SERIES      LINE  
H = HIGHLINE    T = JEEP - 2WD  
M = MEDIUM     J = JEEP - 4WD  
P = PREMIUM    U = JEEP - 4WD (RHD)

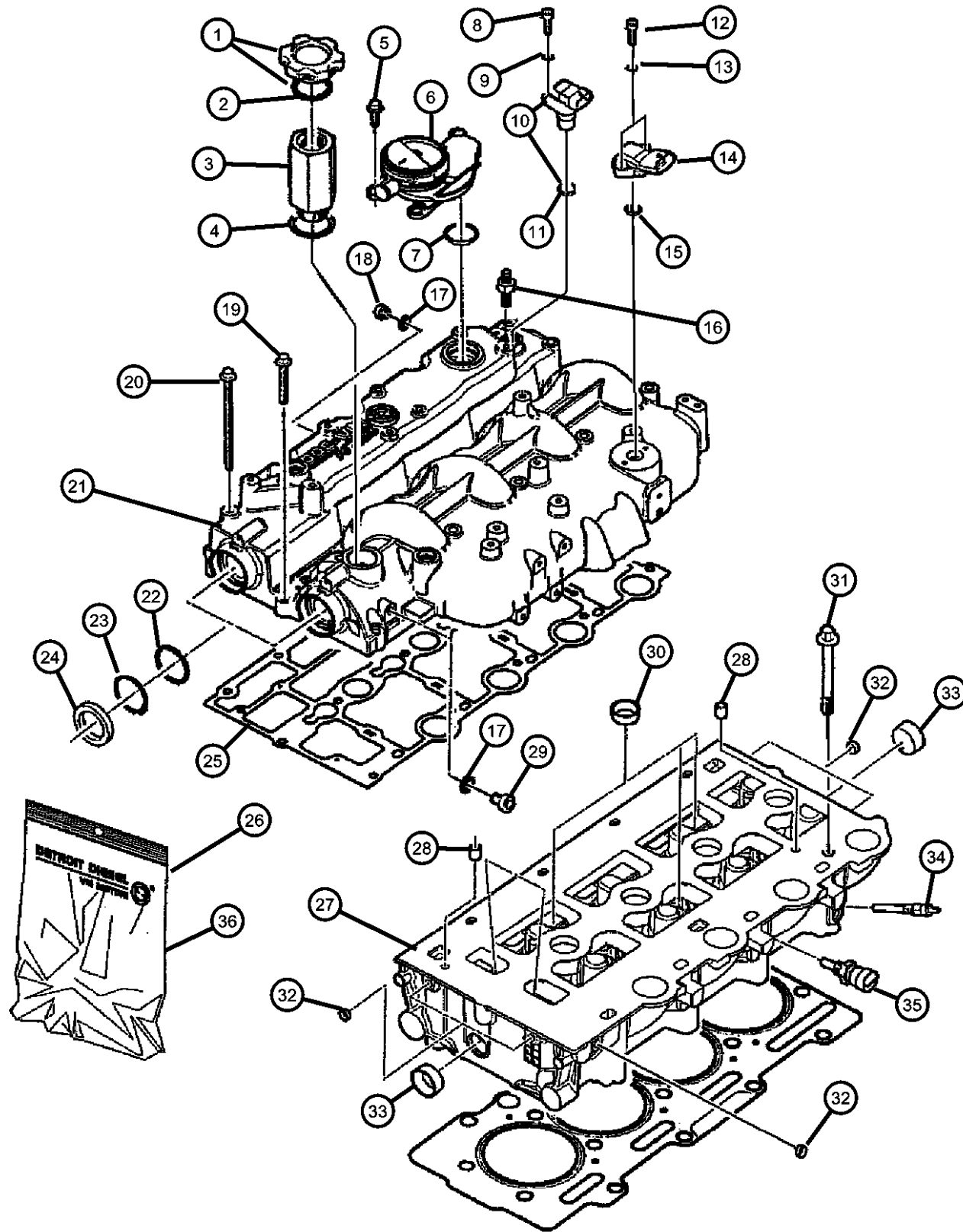
BODY  
74 = SPORT UTILITY 4-DR

ENGINE      TRANSMISSION  
EKG = 3.7L V6 Engine      DG6 = 4-Spd. Automatic 42RLE  
ENR = 2.8L 4 Cyl Turbo Diesel      Transmission  
Engine      DGQ = 5-Spd. Automatic VLP  
ENJ = 2.5L 4 Cyl 16V Turbo      Transmission  
Diesel Engine      DGQ = 5-Spd Automatic 5-45RFE  
ED1 = 2.4L 4 Cyl DOHC 16v      Transmission  
SMPI Engine      DEH = 6-Speed Manual NSG370  
Transmission  
DDD = 5-Speed HD Manual  
Transmission  
DDK = 5-Speed HD Manual  
Transmission

AR = use ase required    - = Non illustrated part

2006 KJ

**Cylinder Head 2.8L Diesel [ENR]  
Figure 2.8L-210**



ITEM	PART NUMBER	QTY	LINE	SERIES	BODY	ENGINE	TRANS	TRIM	DESCRIPTION
7		1				EN0	DBB		O RING, Pressure Relief Valve
	05114347AA	2				EN0	DG0		
		2				EN0	DBB		
8		1				EN0	DG0		BOLT, M6x10
	05003551AA	1				EN0	DBB		
9		1				EN0	DG0		WASHER, Implement Attaching
	04723204	1				EN0	DBB		
10		1				EN0	DG0		SENSOR, Camshaft
	05140332AA	1				EN0	DBB		
11		1				EN0	DG0		O RING
	05066860AA	1				EN0	DBB		
12		1				EN0	DG0		SCREW
	05010858AA	1				EN0	DBB		
13		1				EN0	DG0		WASHER, Fuel Solenoid Wire
	04723168	1				EN0	DBB		
14		1				EN0	DG0		SENSOR, Air Temperature
	05140331AA	1				EN0	DBB		
15		1				EN0	DG0		O RING, (NOT REQUIRED)
16	05142745AA	3				EN0	DBB		STUD, Intake Manifold
17		1				EN0	DG0		WASHER, Implement Attaching
	04720713	1				EN0	DBB		

**LIBERTY (KJ)**

SERIES      LINE  
H = HIGHLINE    T = JEEP - 2WD  
M = MEDIUM     J = JEEP - 4WD  
P = PREMIUM    U = JEEP - 4WD (RHD)

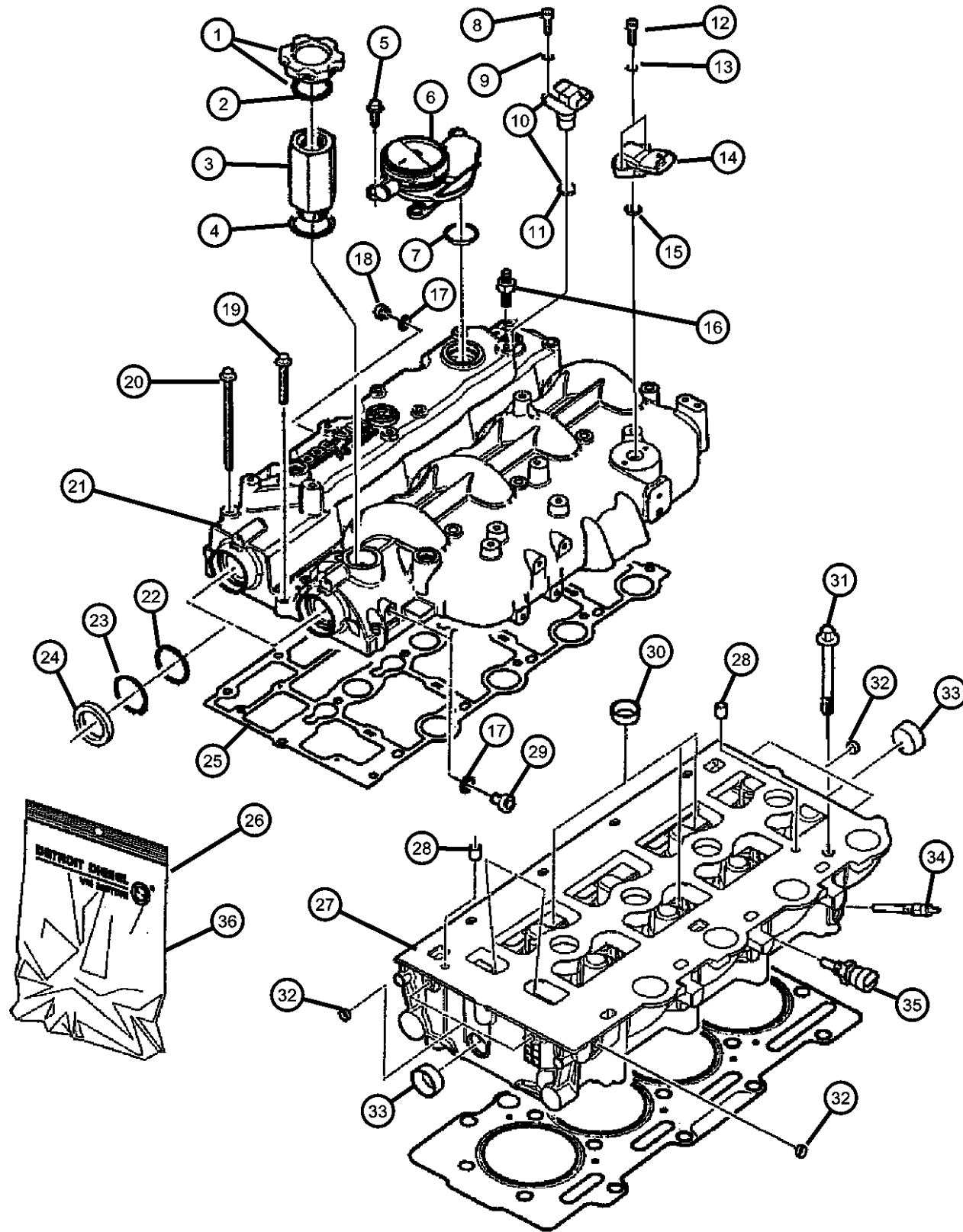
BODY  
74 = SPORT UTILITY 4-DR

ENGINE  
EKG = 3.7L V6 Engine  
ENR = 2.8L 4 Cyl Turbo Diesel Engine  
ENJ = 2.5L 4 Cyl 16V Turbo Diesel Engine  
ED1 = 2.4L 4 Cyl DOHC 16v SMPI Engine

TRANSMISSION  
DG6 = 4-Spd. Automatic 42RLE Transmission  
DGV = 4-Spd. Automatic VLP Transmission  
DGQ = 5-Spd Automatic 5-45RFE Transmission  
DEH = 6-Speed Manual NSG370 Transmission  
DDD = 5-Speed HD Manual Transmission  
DDK = 5-Speed HD Manual Transmission

AR = use ase required    - = Non illustrated part

**Cylinder Head 2.8L Diesel [ENR]  
Figure 2.8L-210**



ITEM	PART NUMBER	QTY	LINE	SERIES	BODY	ENGINE	TRANS	TRIM	DESCRIPTION
18									PLUG, Cylinder Block
	05066787AA	2				EN0	DG0		
		2				EN0	DBB		
19									SCREW
	05066960AB	6				EN0	DG0		
		6				EN0	DBB		
20	05066959AB	10				EN0	DG0		BOLT
21									COVER, Cylinder Head
	05093897AB	1				EN0	DG0		
		1				EN0	DBB		
22									SPACER
	05066844AA	2				EN0	DG0		
		2				EN0	DBB		
23									SNAP RING
	05066841AA	2				EN0	DG0		
		2				EN0	DBB		
24									SEAL
	05066958AA	2				EN0	DG0		
		2				EN0	DBB		
25									GASKET, Valve Cover
	05066786AA	1				EN0	DG0		
		1				EN0	DBB		
26									GASKET KIT, Engine
	05143080AB	1				EN0	DG0		
		1				EN0	DBB		
27									HEAD, Cylinder
	05159955AB	1				EN0	DG0		
		1				EN0	DBB		
28									DOWEL, Rocker
	04720165	3				EN0	DG0		

**LIBERTY (KJ)**

SERIES      LINE  
H = HIGHLINE    T = JEEP - 2WD  
M = MEDIUM     J = JEEP - 4WD  
P = PREMIUM    U = JEEP - 4WD (RHD)

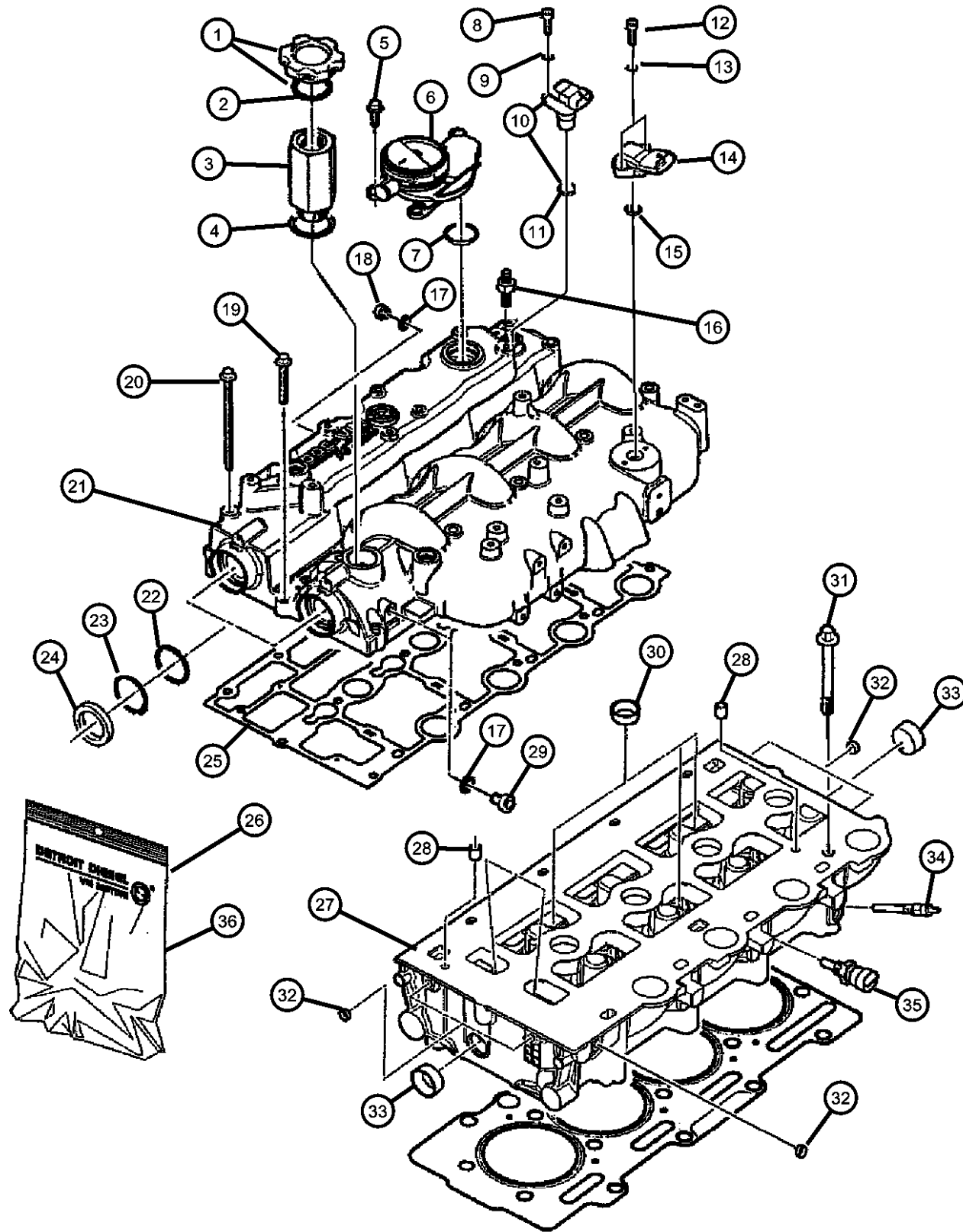
BODY  
74 = SPORT UTILITY 4-DR

ENGINE      TRANSMISSION  
EKG = 3.7L V6 Engine      DG6 = 4-Spd. Automatic 42RLE  
ENR = 2.8L 4 Cyl Turbo Diesel      Transmission  
Engine      DGV = 4-Spd. Automatic VLP  
ENJ = 2.5L 4 Cyl 16V Turbo      Transmission  
Diesel Engine      DGQ = 5-Spd Automatic 5-45RFE  
ED1 = 2.4L 4 Cyl DOHC 16v      Transmission  
SMPI Engine      DEH = 6-Speed Manual NSG370  
Transmission  
DDD = 5-Speed HD Manual  
Transmission  
DDK = 5-Speed HD Manual  
Transmission

AR = use ase required - = Non illustrated part

2006 KJ

**Cylinder Head 2.8L Diesel [ENR]  
Figure 2.8L-210**



ITEM	PART NUMBER	QTY	LINE	SERIES	BODY	ENGINE	TRANS	TRIM	DESCRIPTION
29		3				EN0	DBB		PLUG, Cylinder Block
	05066787AA	2				EN0	DG0		
		2				EN0	DBB		
30									PLUG, Cylinder Block Oil Hole
	04723211	5				EN0	DG0		
		5				EN0	DBB		
31									BOLT, Cylinder Head
	05066957AC	18				EN0	DG0		
		18				EN0	DBB		
32									PLUG, Cylinder Block
	05066837AA	5				EN0	DG0		
		5				EN0	DBB		
33									PLUG, Cylinder Block
	05066836AA	2				EN0	DG0		
		2				EN0	DBB		
34									PLUG, Glow
	05142577AA	4				EN0	DG0		
		4				EN0	DBB		
35									SENSOR, Temperature Sending Unit
	05066779AA	1				EN0	DG0		
		1				EN0	DBB		
36									GASKET KIT, Head
	05166481AA	1				EN0	DG0		1.32 MM Thickness
		1				EN0	DBB		1.32 MM Thickness
	05166482AA	1				EN0	DG0		1.42 MM Thickness
		1				EN0	DBB		1.42 MM Thickness
	05166483AA	1				EN0	DG0		1.52 MM Thickness
		1				EN0	DBB		1.52 MM Thickness

**LIBERTY (KJ)**

SERIES      LINE  
H = HIGHLINE    T = JEEP - 2WD  
M = MEDIUM      J = JEEP - 4WD  
P = PREMIUM      U = JEEP - 4WD (RHD)

BODY  
74 = SPORT UTILITY 4-DR

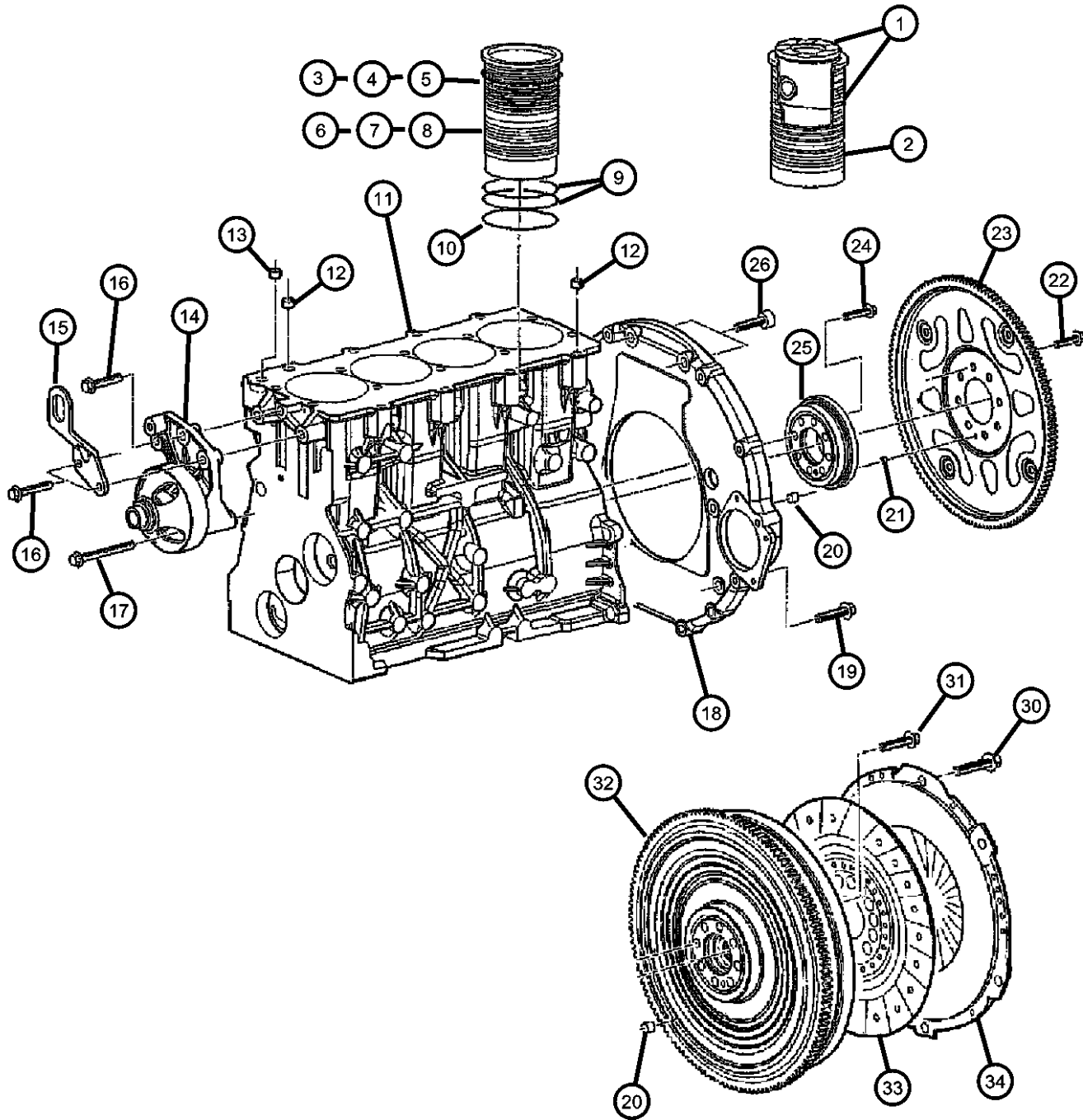
ENGINE      TRANSMISSION  
EKG = 3.7L V6 Engine      DG6 = 4-Spd. Automatic 42RLE  
ENR = 2.8L 4 Cyl Turbo Diesel Engine      Transmission  
ENJ = 2.5L 4 Cyl 16V Turbo Diesel Engine      DGV = 4-Spd. Automatic VLP  
ED1 = 2.4L 4 Cyl DOHC 16v SMPI Engine      Transmission  
DGQ = 5-Spd Automatic 5-45RFE  
DEH = 6-Speed Manual NSG370  
Transmission  
DDD = 5-Speed HD Manual  
Transmission  
DDK = 5-Speed HD Manual  
Transmission

AR = use ase required - = Non illustrated part

2006 KJ



**Cylinder Block 2.8L Diesel [ENR]  
Figure 2.8L-305**



ITEM	PART NUMBER	QTY	LINE	SERIES	BODY	ENGINE	TRANS	TRIM	DESCRIPTION
------	-------------	-----	------	--------	------	--------	-------	------	-------------

**NOTE:**

Sales Codes:  
 [DBB]=All Manual Transmissions  
 [DEH]=6-Speed Manual NSG370 Transmission  
 [DGQ]=5-Speed Automatic 5-45RFE Transmission  
 [DGV]=4-Speed Automatic VLP Transmission  
 [DG0]=All Automatic Transmissions  
 [DG6]=4-Speed Automatic 42RLE Transmission  
 [DHE]=Command-Trac H.D. Part Time NVG 241 GII Transfer Case  
 [DHN]=Command-Trac Part Time NVG 231 Transfer Case  
 [DHP]=Selec-Trac Full Time NVG 242 Transfer Case  
 [EKG]=3.7L "Magnum" V-6 Engine  
 [EK0]=All 3.7L 6-Cylinder Gas Engines  
 [ENR]=2.8L 4-Cylinder Turbo Diesel Engine  
 [EN0]=All 4/5 Cylinder Diesel Engines  
 [NAA]=Federal Emissions  
 [NAE]=California Emissions  
 [NAS]=50 States Emissions

1									LINER AND PISTON, Cylinder
	05142785AA	4				EN0	DG0		
		4				EN0	DBB		
2									LINER, Cylinder
	05103155AA	4				EN0	DG0		
		4				EN0	DBB		
3									SHIM, Cylinder Liner, 0.15mm
	04720620	4				EN0	DG0		
		4				EN0	DBB		
4									SHIM KIT, Cylinder Liner
	05103154AA	4				EN0	DG0		
		4				EN0	DBB		
5									SHIM, Cylinder Liner, 0.17mm
	04720624	4				EN0	DG0		
		4				EN0	DBB		
6									SHIM, Cylinder Liner, 0.20mm
	04720621	4				EN0	DG0		

**LIBERTY (KJ)**

SERIES            LINE  
 H = HIGHLINE    T = JEEP - 2WD  
 M = MEDIUM     J = JEEP - 4WD  
 P = PREMIUM     U = JEEP - 4WD (RHD)

BODY  
 74 = SPORT UTILITY 4-DR

ENGINE                          TRANSMISSION  
 EKG = 3.7L V6 Engine        DG6 = 4-Spd. Automatic 42RLE  
 ENR = 2.8L 4 Cyl Turbo Diesel Transmission  
 Engine                          DGV = 4-Spd. Automatic VLP  
 ENJ = 2.5L 4 Cyl 16V Turbo Transmission  
 Diesel Engine                DGQ = 5-Spd Automatic 5-45RFE  
 ED1 = 2.4L 4 Cyl DOHC 16v Transmission  
 SMPI Engine                    DEH = 6-Speed Manual NSG370  
     Transmission  
     DDD = 5-Speed HD Manual  
     Transmission  
     DDK = 5-Speed HD Manual  
     Transmission

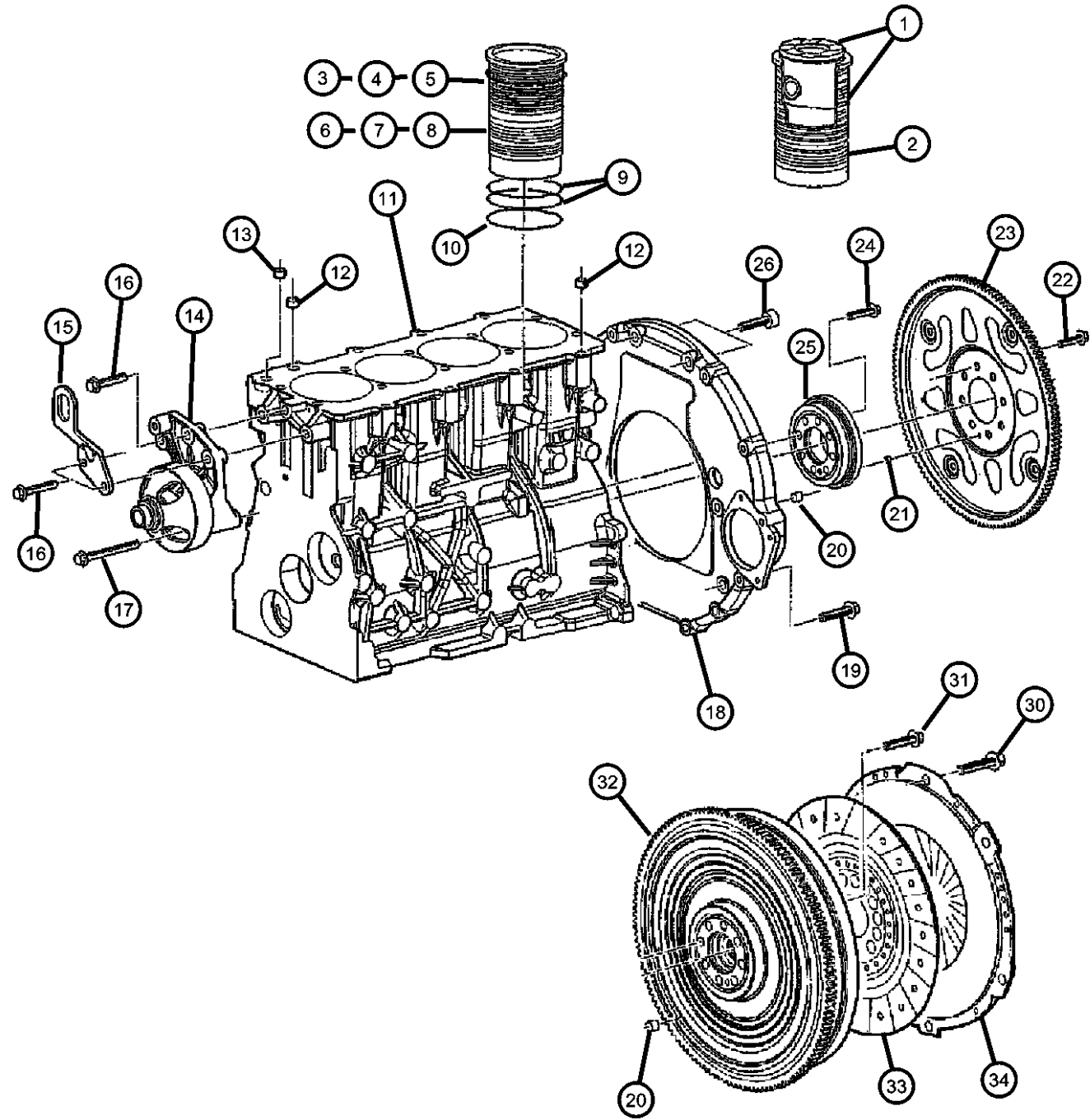
AR = use ase required    - = Non illustrated part

2006 KJ





**Cylinder Block 2.8L Diesel [ENR]  
Figure 2.8L-305**

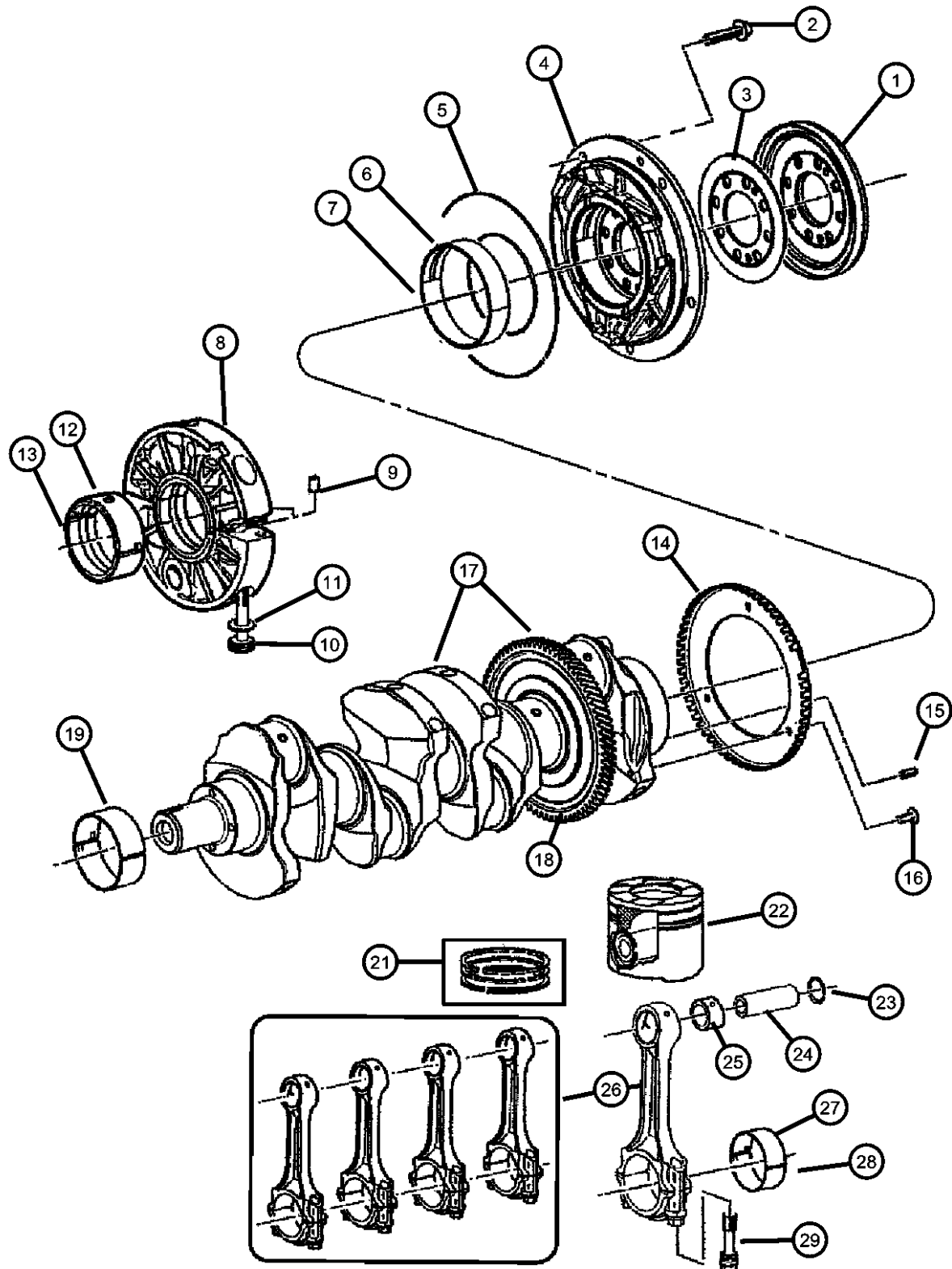


ITEM	PART NUMBER	QTY	LINE	SERIES	BODY	ENGINE	TRANS	TRIM	DESCRIPTION
-28	05175969AA	1	J, U			EN0	DGQ		CONVERTER PACKAGE, Torque
-29	05093909AA	1				EN0	DG0		PLUG
30	05072396AA	6				EN0	DBB		BOLT
31	05072664AA	8				EN0	DBB		BOLT
32	52104420AE	1				EN0	DBB		FLYWHEEL
33	52104420AE	1							DISC, Clutch, Serviced with Pressure Plate, (NOT SERVICED)
34	52104302AK	1				EN0	DBB		PLATE, Pressure, Includes Clutch Disc

<b>LIBERTY (KJ)</b>				
SERIES	LINE	BODY	ENGINE	TRANSMISSION
H = HIGHLINE	T = JEEP - 2WD	74 = SPORT UTILITY 4-DR	EKG = 3.7L V6 Engine	DG6 = 4-Spd. Automatic 42RLE
M = MEDIUM	J = JEEP - 4WD		ENR = 2.8L 4 Cyl Turbo Diesel Engine	Transmission
P = PREMIUM	U = JEEP - 4WD (RHD)		ENJ = 2.5L 4 Cyl 16V Turbo Diesel Engine	DGV = 4-Spd. Automatic VLP
			ED1 = 2.4L 4 Cyl DOHC 16v SMPI Engine	Transmission
				DGQ = 5-Spd Automatic 5-45RFE
				Transmission
				DEH = 6-Speed Manual NSG370
				Transmission
				DDD = 5-Speed HD Manual
				Transmission
				DDK = 5-Speed HD Manual
				Transmission

AR = use ase required - = Non illustrated part

**Crankshaft,Pistons and Related, 2.8L Diesel [ENR]  
Figure 2.8L-405**



ITEM	PART NUMBER	QTY	LINE	SERIES	BODY	ENGINE	TRANS	TRIM	DESCRIPTION
------	-------------	-----	------	--------	------	--------	-------	------	-------------

NOTE:  
Sales Codes:  
[DBB]=All Manual Transmissions  
[DEH]=6-Speed Manual NSG370 Transmission  
[DGQ]=5-Speed Automatic 5-45RFE Transmission  
[DGV]=4-Speed Automatic VLP Transmission  
[DG0]=All Automatic Transmissions  
[DG6]=4-Speed Automatic 42RLE Transmission  
[DHE]=Command-Trac H.D. Part Time NVG 241 GII Transfer Case  
[DHN]=Command-Trac Part Time NVG 231 Transfer Case  
[DHP]=Selec-Trac Full Time NVG 242 Transfer Case  
[EKG]=3.7L "Magnum" V-6 Engine  
[EK0]=All 3.7L 6-Cylinder Gas Engines  
[ENR]=2.8L 4-Cylinder Turbo Diesel Engine  
[EN0]=All 4/5 Cylinder Diesel Engines  
[NAA]=Federal Emissions  
[NAE]=California Emissions  
[NAS]=50 States Emissions

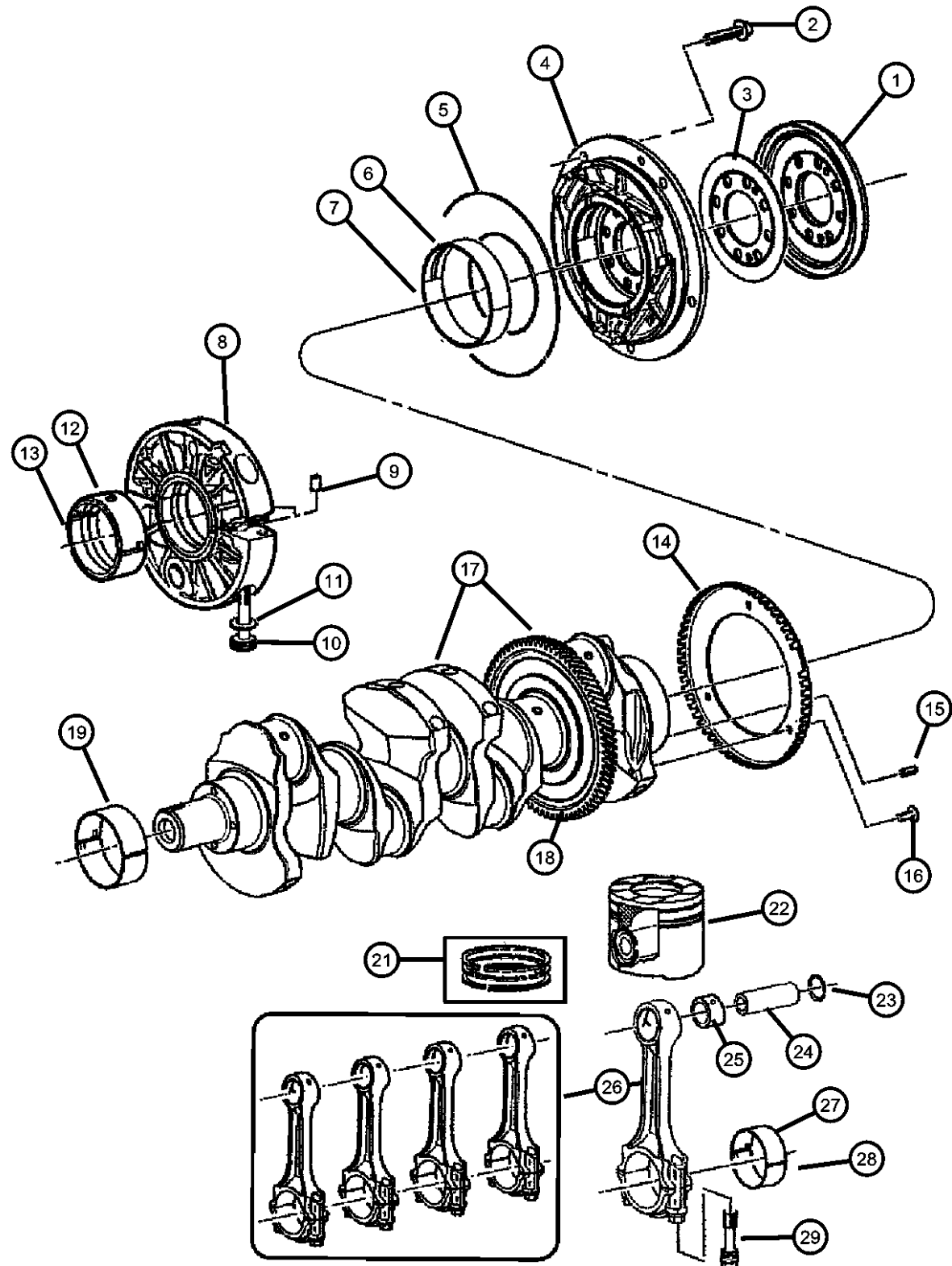
1									SEAL, Crankshaft Oil, Rear
	05066756AA	1				EN0	DG0		
		1				EN0	DBB		
2									SCREW
	05066986AA	11				EN0	DG0		
		11				EN0	DBB		
3									WASHER, Thrust
	05093882AA	1				EN0	DG0		
		1				EN0	DBB		
4									HOUSING, Rear Bearing
	05101924AB	1				EN0	DBB		
	05101924AC	1				EN0	DG0		
5									O RING, Crankshaft Rear Support
	04720277AA	1				EN0	DG0		
		1				EN0	DBB		
6									BEARING, Crankshaft
	05066761AA	1				EN0	DG0		

<b>LIBERTY (KJ)</b>				
SERIES	LINE	BODY	ENGINE	TRANSMISSION
H = HIGHLINE	T = JEEP - 2WD	74 = SPORT UTILITY 4-DR	EKG = 3.7L V6 Engine	DG6 = 4-Spd. Automatic 42RLE Transmission
M = MEDIUM	J = JEEP - 4WD		ENR = 2.8L 4 Cyl Turbo Diesel Engine	DGV = 4-Spd. Automatic VLP Transmission
P = PREMIUM	U = JEEP - 4WD (RHD)		ENJ = 2.5L 4 Cyl 16V Turbo Diesel Engine	DGQ = 5-Spd Automatic 5-45RFE Transmission
			ED1 = 2.4L 4 Cyl DOHC 16v SMPI Engine	DEH = 6-Speed Manual NSG370 Transmission
				DDD = 5-Speed HD Manual Transmission
				DDK = 5-Speed HD Manual Transmission

AR = use ase required - = Non illustrated part

2006 KJ

**Crankshaft,Pistons and Related, 2.8L Diesel [ENR]  
Figure 2.8L-405**

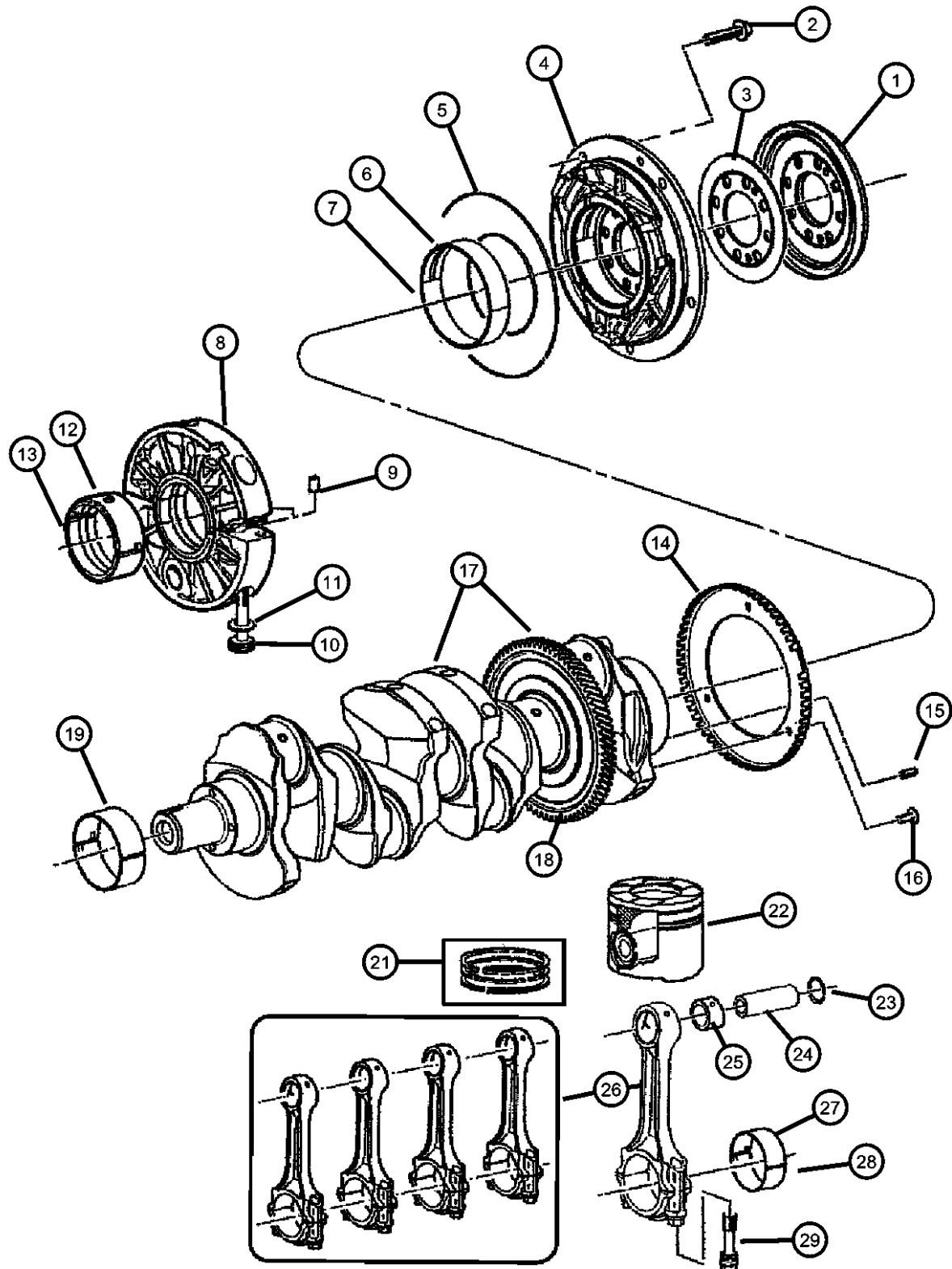


ITEM	PART NUMBER	QTY	LINE	SERIES	BODY	ENGINE	TRANS	TRIM	DESCRIPTION
7		1				ENO	DBB		BEARING, Crankshaft
	05066762AA	1				ENO	DG0		
		1				ENO	DBB		
8		3				ENO	DG0		HOUSING, Crankshaft Bearing
	05066757AB	3				ENO	DG0		
		3				ENO	DBB		
9		2				ENO	DG0		DOWEL, Center Bearing Housing
	04720241	2				ENO	DG0		
		2				ENO	DBB		
10		2							SCREW
	05135263AA	2				ENO	DG0		
		2				ENO	DBB		
11		2							WASHER, Lock, M10, (NOT REQUIRED)
12		2							BEARING, Crankshaft, STD.
	05069079AA	3				ENO	DG0		
		3				ENO	DBB		
13		3							BEARING, Crankshaft, .250mm U/S
	05069080AA	3				ENO	DG0		
		3				ENO	DBB		
14		1							SENSOR, Crankshaft
	05066882AA	1				ENO	DG0		
		1				ENO	DBB		
15		1							PIN, Spring Type
	05135167AA	1				ENO	DG0		
		1				ENO	DBB		
16		3							SCREW
	05069137AA	3				ENO	DG0		
		3				ENO	DBB		

**LIBERTY (KJ)**  
 SERIES H = HIGHLINE M = MEDIUM P = PREMIUM  
 LINE T = JEEP - 2WD J = JEEP - 4WD U = JEEP - 4WD (RHD)  
 BODY 74 = SPORT UTILITY 4-DR  
 ENGINE EKG = 3.7L V6 Engine ENR = 2.8L 4 Cyl Turbo Diesel Engine ENJ = 2.5L 4 Cyl 16V Turbo Diesel Engine ED1 = 2.4L 4 Cyl DOHC 16v SMPI Engine  
 TRANSMISSION DG6 = 4-Spd. Automatic 42RLE Transmission DGV = 4-Spd. Automatic VLP Transmission DGQ = 5-Spd Automatic 5-45RFE Transmission DEH = 6-Speed Manual NSG370 Transmission DDD = 5-Speed HD Manual Transmission DDK = 5-Speed HD Manual Transmission

AR = use ase required - = Non illustrated part

**Crankshaft,Pistons and Related, 2.8L Diesel [ENR]  
Figure 2.8L-405**



ITEM	PART NUMBER	QTY	LINE	SERIES	BODY	ENGINE	TRANS	TRIM	DESCRIPTION
17	05093881AB	1				EN0	DG0		CRANKSHAFT
		1				EN0	DBB		
18	05066977AA	1				EN0	DG0		GEAR, Ring
		1				EN0	DBB		
19	05069077AA	1				EN0	DG0		BEARING, Crankshaft, STD.
-20	05069078AA	1				EN0	DG0		BEARING, Crankshaft, .250mm U/S
		1				EN0	DBB		
21	05142543AA	4				EN0	DG0		RING KIT, Piston
		4				EN0	DBB		
22	05142544AA	4				EN0	DG0		PISTON
		4				EN0	DBB		
23	05140392AA	8				EN0	DG0		RING, Piston Pin
		8				EN0	DBB		
24		8							PIN, Piston, Serviced With Item 22, (NOT SERVICED)
25	05093887AA	4				EN0	DG0		BUSHING, Connecting Rod
		4				EN0	DBB		
26	05093883AA	1				EN0	DG0		ROD, Connecting
		1				EN0	DBB		
27	04720877	4				EN0	DG0		BEARING, Connecting Rod, STD.
		4				EN0	DBB		

**LIBERTY (KJ)**  
 SERIES      LINE  
 H = HIGHLINE    T = JEEP - 2WD  
 M = MEDIUM     J = JEEP - 4WD  
 P = PREMIUM     U = JEEP - 4WD (RHD)

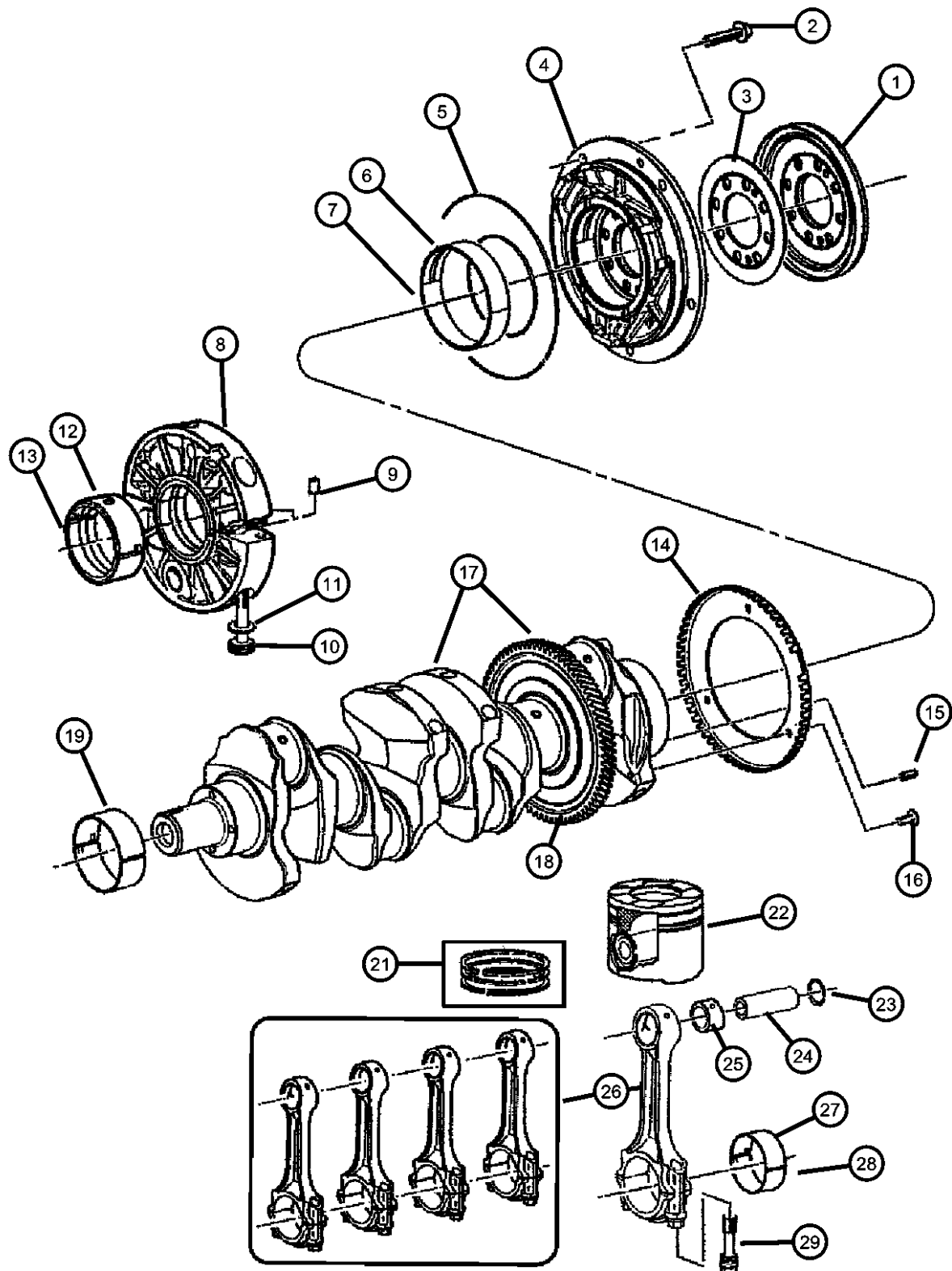
**BODY**  
 74 = SPORT UTILITY 4-DR

**ENGINE**  
 EKG = 3.7L V6 Engine  
 ENR = 2.8L 4 Cyl Turbo Diesel Engine  
 ENJ = 2.5L 4 Cyl 16V Turbo Diesel Engine  
 ED1 = 2.4L 4 Cyl DOHC 16v SMPI Engine

**TRANSMISSION**  
 DG6 = 4-Spd. Automatic 42RLE Transmission  
 DGV = 4-Spd. Automatic VLP Transmission  
 DGQ = 5-Spd Automatic 5-45RFE Transmission  
 DEH = 6-Speed Manual NSG370 Transmission  
 DDD = 5-Speed HD Manual Transmission  
 DDK = 5-Speed HD Manual Transmission

AR = use ase required    - = Non illustrated part

**Crankshaft, Pistons and Related, 2.8L Diesel [ENR]  
Figure 2.8L-405**



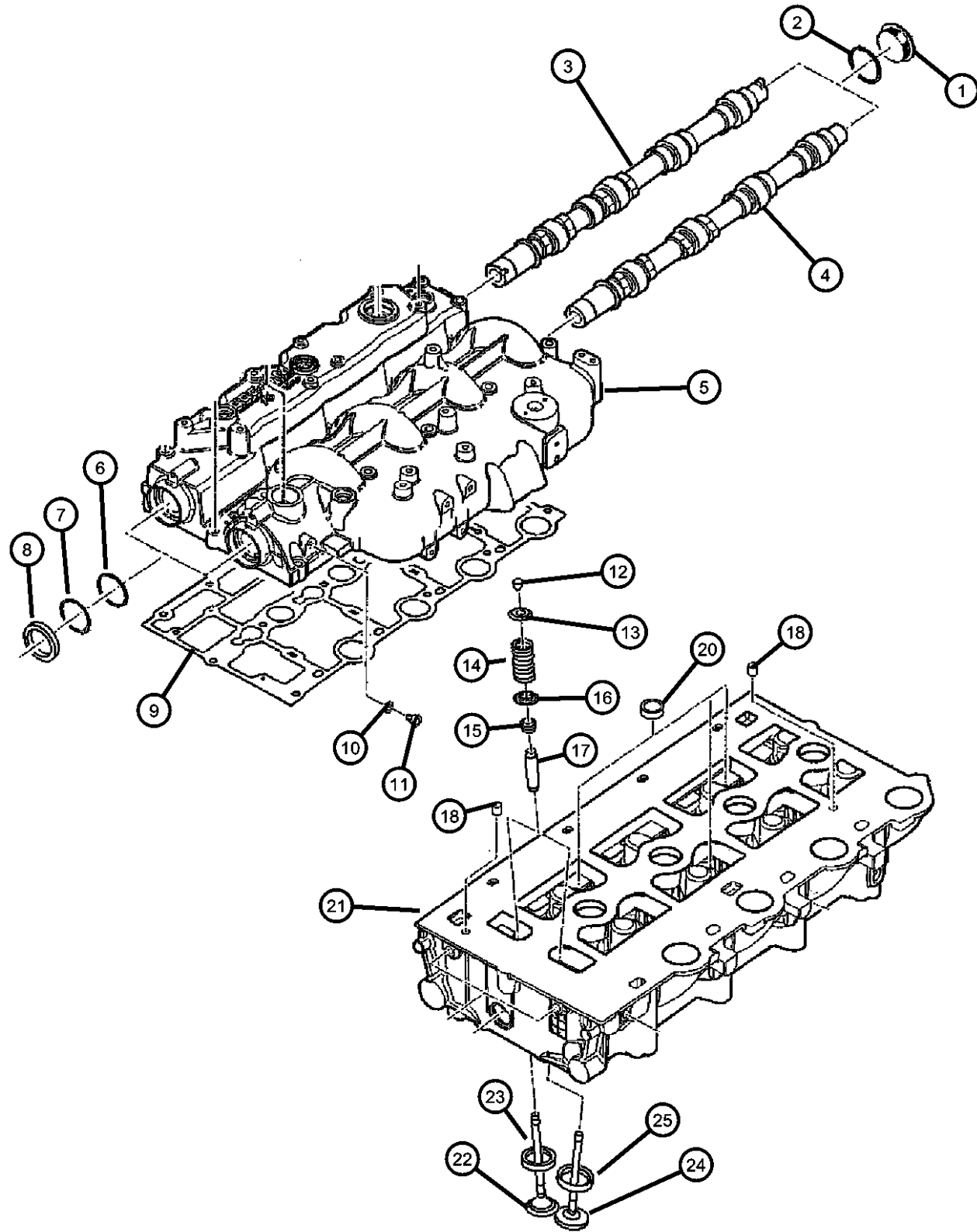
ITEM	PART NUMBER	QTY	LINE	SERIES	BODY	ENGINE	TRANS	TRIM	DESCRIPTION
28	04720883	4				EN0	DG0		BEARING, Connecting Rod, .25 mm U/S
		4				EN0	DBB		
29	05093889AA	8				EN0	DG0		BOLT, Connecting Rod
		8				EN0	DBB		

<b>LIBERTY (KJ)</b>				
SERIES	LINE	BODY	ENGINE	TRANSMISSION
H = HIGHLINE	T = JEEP - 2WD	74 = SPORT UTILITY 4-DR	EKG = 3.7L V6 Engine	DG6 = 4-Spd. Automatic 42RLE
M = MEDIUM	J = JEEP - 4WD		ENR = 2.8L 4 Cyl Turbo Diesel Engine	Transmission
P = PREMIUM	U = JEEP - 4WD (RHD)		ENJ = 2.5L 4 Cyl 16V Turbo Diesel Engine	DGV = 4-Spd. Automatic VLP
			ED1 = 2.4L 4 Cyl DOHC 16v SMPI Engine	Transmission
				DGQ = 5-Spd Automatic 5-45RFE
				Transmission
				DEH = 6-Speed Manual NSG370
				Transmission
				DDD = 5-Speed HD Manual
				Transmission
				DDK = 5-Speed HD Manual
				Transmission

AR = use ase required - = Non illustrated part



**Camshaft and Valves, 2.8L Diesel [ENR]  
Figure 2.8L-505**



ITEM	PART NUMBER	QTY	LINE	SERIES	BODY	ENGINE	TRANS	TRIM	DESCRIPTION
------	-------------	-----	------	--------	------	--------	-------	------	-------------

NOTE: Cover Assembly Includes: Cylinder Head Cover; Camshafts with Seals, Snap Rings, Spacers and Cover Plugs with their Gaskets  
Sales Codes:

- [DBB]=All Manual Transmissions
- [DEH]=6-Speed Manual NSG370 Transmission
- [DGQ]=5-Speed Automatic 5-45RFE Transmission
- [DGV]=4-Speed Automatic VLP Transmission
- [DG0]=All Automatic Transmissions
- [DG6]=4-Speed Automatic 42RLE Transmission
- [DHE]=Command-Trac H.D. Part Time NVG 241 GII Transfer Case
- [DHN]=Command-Trac Part Time NVG 231 Transfer Case
- [DHP]=Selec-Trac Full Time NVG 242 Transfer Case
- [EKG]=3.7L "Magnum" V-6 Engine
- [EK0]=All 3.7L 6-Cylinder Gas Engines
- [ENR]=2.8L 4-Cylinder Turbo Diesel Engine
- [EN0]=All 4/5 Cylinder Diesel Engines
- [NAA]=Federal Emissions
- [NAE]=California Emissions
- [NAS]=50 States Emissions

1									PLUG, Camshaft
	05066855AA	2				EN0	DG0		
		2				EN0	DBB		
2									WASHER, Plain, 16.2x19.9x1.5
	05066811AA	2				EN0	DG0		
		2				EN0	DBB		
3									CAMSHAFT, Intake
	05066847AB	1				EN0	DG0		
		1				EN0	DBB		
4									CAMSHAFT, Exhaust
	05066850AB	1				EN0	DG0		
		1				EN0	DBB		
5									COVER, Cylinder Head, Assembly, See Note
	05093897AB	1				EN0	DG0		
		1				EN0	DBB		
6									SPACER
	05066844AA	2				EN0	DG0		

**LIBERTY (KJ)**

SERIES	LINE	BODY
H = HIGHLINE	T = JEEP - 2WD	74 = SPORT UTILITY 4-DR
M = MEDIUM	J = JEEP - 4WD	
P = PREMIUM	U = JEEP - 4WD (RHD)	

ENGINE	TRANSMISSION
EKG = 3.7L V6 Engine	DG6 = 4-Spd. Automatic 42RLE Transmission
ENR = 2.8L 4 Cyl Turbo Diesel Engine	DGV = 4-Spd. Automatic VLP Transmission
ENJ = 2.5L 4 Cyl 16V Turbo Diesel Engine	DGQ = 5-Spd Automatic 5-45RFE Transmission
ED1 = 2.4L 4 Cyl DOHC 16v SMPI Engine	DEH = 6-Speed Manual NSG370 Transmission
	DDD = 5-Speed HD Manual Transmission
	DDK = 5-Speed HD Manual Transmission

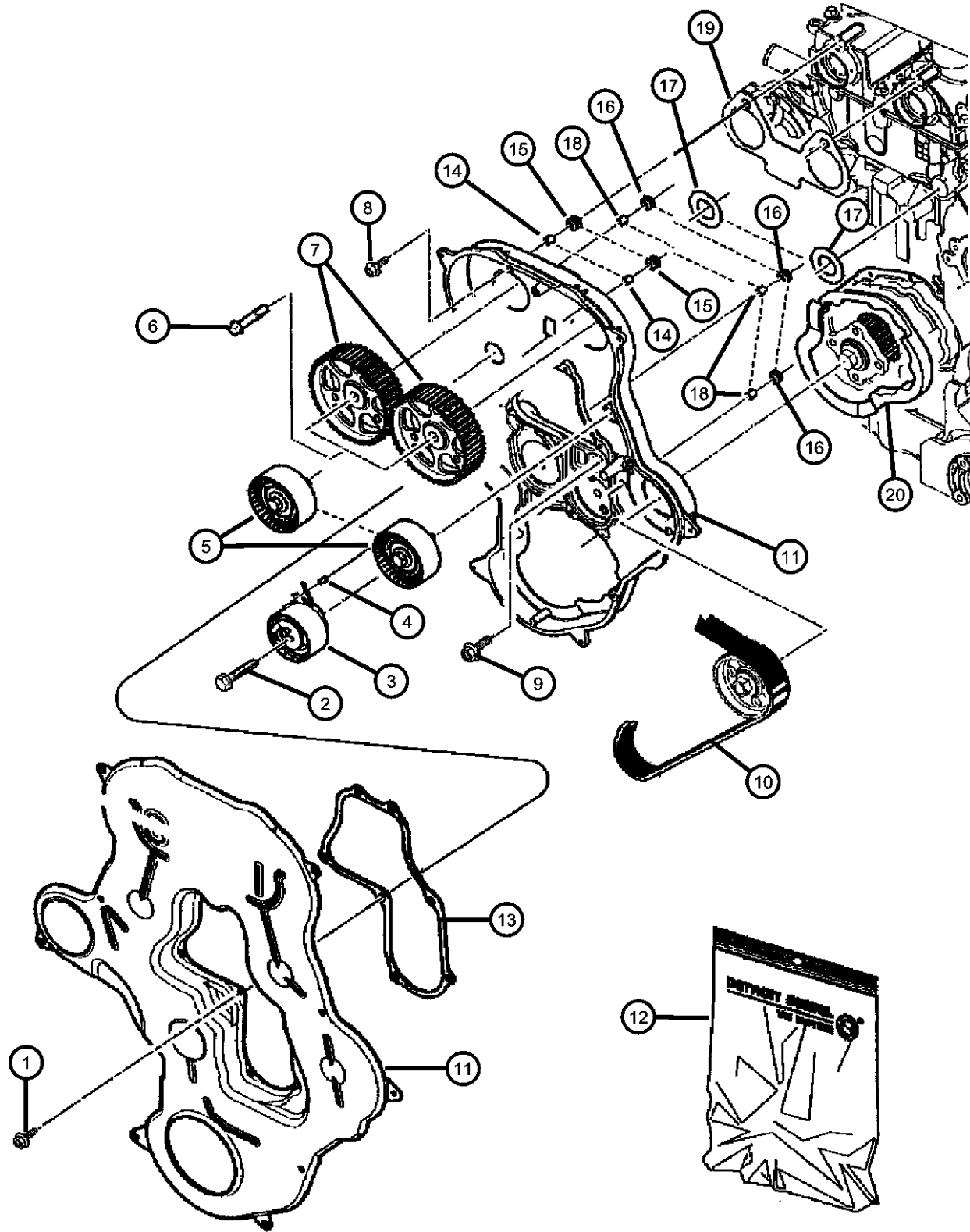
AR = use ase required - = Non illustrated part

2006 KJ





**Timing Cover, Belt and Gears 2.8L Diesel [ENR]  
Figure 2.8L-605**



ITEM	PART NUMBER	QTY	LINE	SERIES	BODY	ENGINE	TRANS	TRIM	DESCRIPTION
------	-------------	-----	------	--------	------	--------	-------	------	-------------

NOTE:  
Sales Codes:  
[DBB]=All Manual Transmissions  
[DEH]=6-Speed Manual NSG370 Transmission  
[DGQ]=5-Speed Automatic 5-45RFE Transmission  
[DGV]=4-Speed Automatic VLP Transmission  
[DG0]=All Automatic Transmissions  
[DG6]=4-Speed Automatic 42RLE Transmission  
[DHE]=Command-Trac H.D. Part Time NVG 241 GII Transfer Case  
[DHN]=Command-Trac Part Time NVG 231 Transfer Case  
[DHP]=Selec-Trac Full Time NVG 242 Transfer Case  
[EKG]=3.7L "Magnum" V-6 Engine  
[EK0]=All 3.7L 6-Cylinder Gas Engines  
[ENR]=2.8L 4-Cylinder Turbo Diesel Engine  
[EN0]=All 4/5 Cylinder Diesel Engines  
[NAA]=Federal Emissions  
[NAE]=California Emissions  
[NAS]=50 States Emissions

1									SCREW
	05069112AA	17				EN0	DG0		
		17				EN0	DBB		
2									SCREW
	05015031AA	5				EN0	DG0		
		5				EN0	DBB		
3									TENSIONER, Belt
	05142798AA	1				EN0	DG0		
		1				EN0	DBB		
4									DOWEL, Front Cover, (NOT REQUIRED)
	05142573AA	2				EN0	DG0		PULLEY, Idler
6									SCREW
	04897825AA	2				EN0	DG0		
		2				EN0	DBB		
7									GEAR, Balance Shaft
	05066926AA	2				EN0	DG0		
		2				EN0	DBB		

**LIBERTY (KJ)**  
SERIES      LINE  
H = HIGHLINE    T = JEEP - 2WD  
M = MEDIUM     J = JEEP - 4WD  
P = PREMIUM     U = JEEP - 4WD (RHD)

BODY  
74 = SPORT UTILITY 4-DR

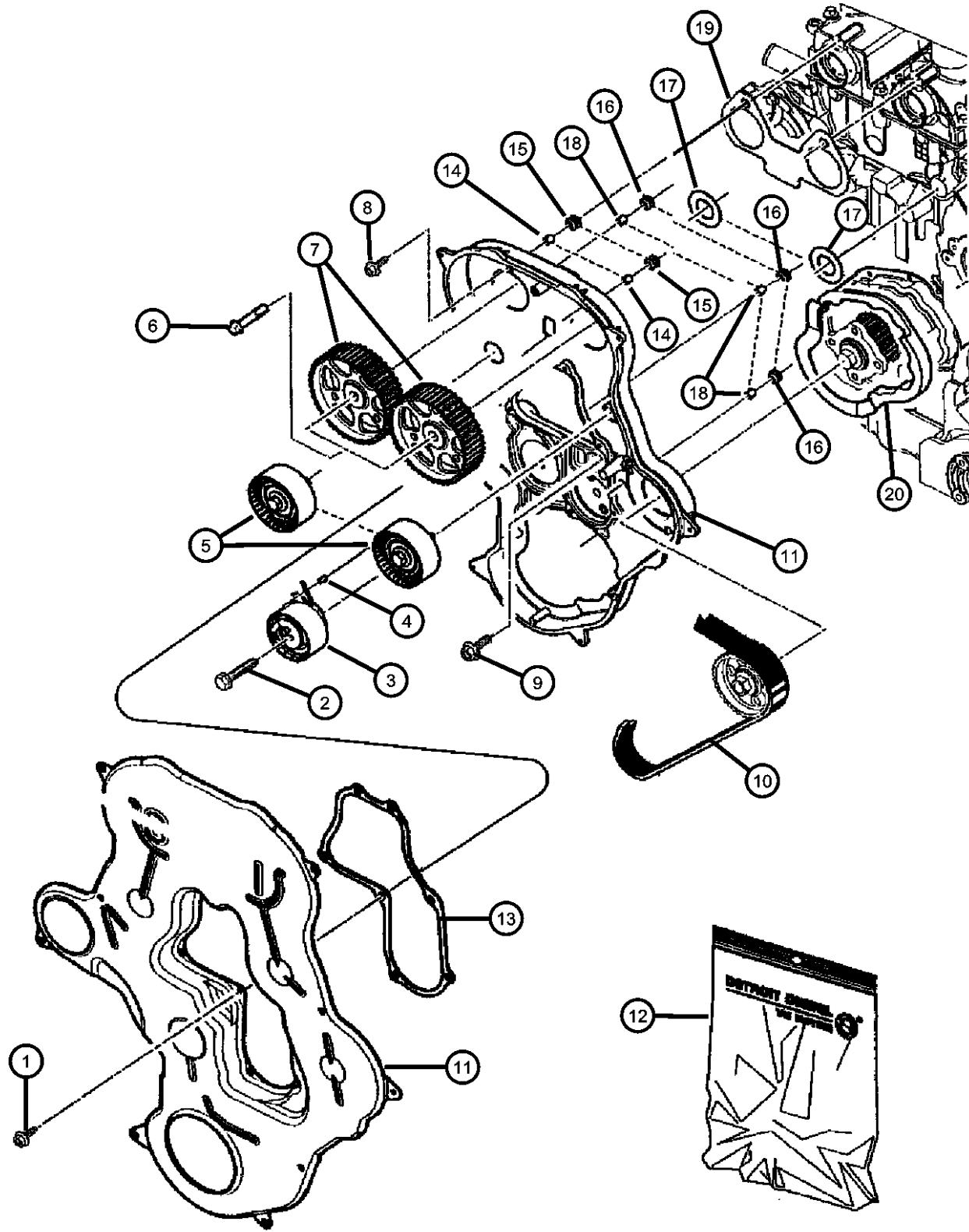
ENGINE  
EKG = 3.7L V6 Engine  
ENR = 2.8L 4 Cyl Turbo Diesel Engine  
ENJ = 2.5L 4 Cyl 16V Turbo Diesel Engine  
ED1 = 2.4L 4 Cyl DOHC 16V SMPI Engine

TRANSMISSION  
DG6 = 4-Spd. Automatic 42RLE Transmission  
DGV = 4-Spd. Automatic VLP Transmission  
DGQ = 5-Spd Automatic 5-45RFE Transmission  
DEH = 6-Speed Manual NSG370 Transmission  
DDD = 5-Speed HD Manual Transmission  
DDK = 5-Speed HD Manual Transmission

AR = use ase required - = Non illustrated part

2006 KJ

**Timing Cover, Belt and Gears 2.8L Diesel [ENR]  
Figure 2.8L-605**

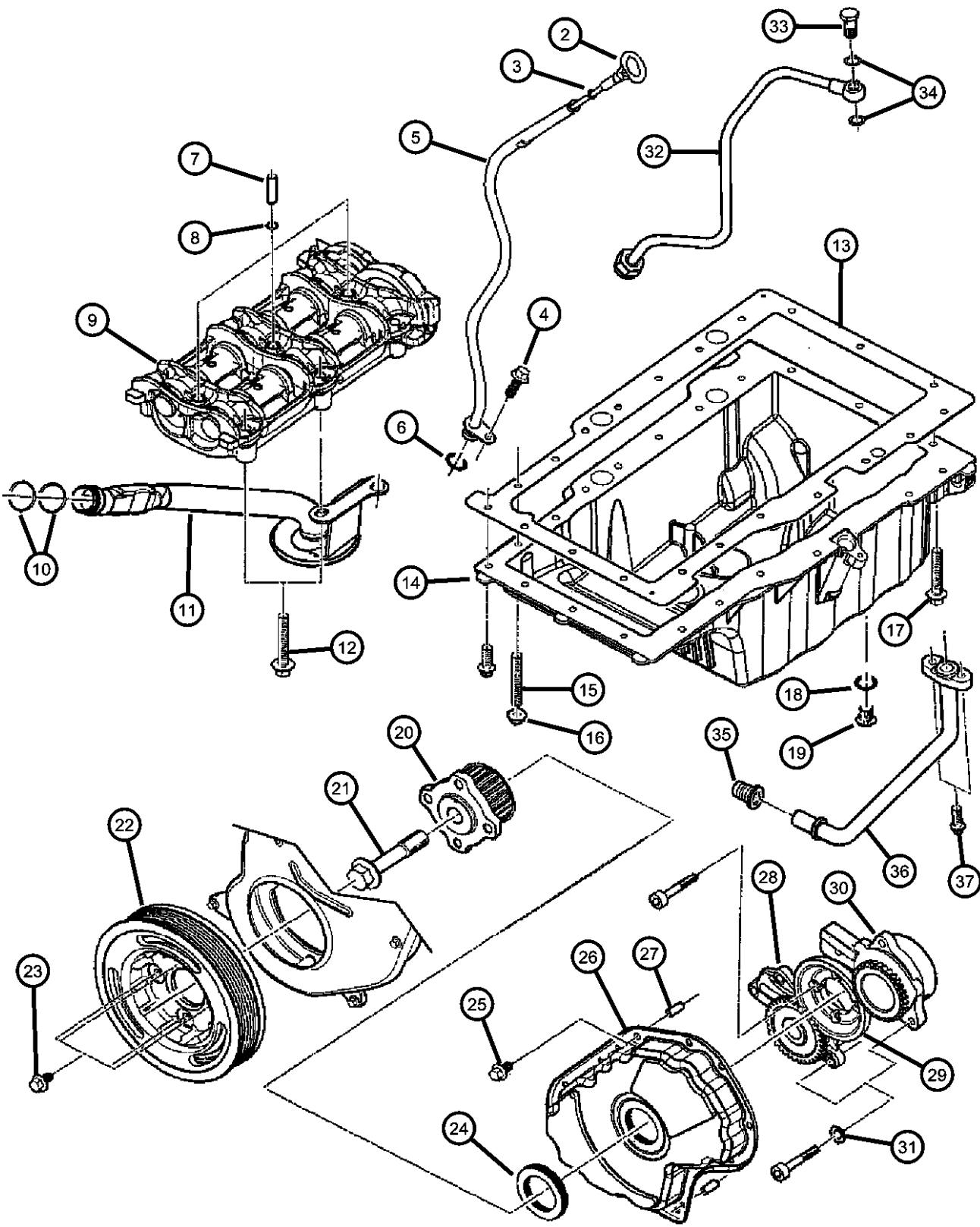


ITEM	PART NUMBER	QTY	LINE	SERIES	BODY	ENGINE	TRANS	TRIM	DESCRIPTION
8	05069114AA	5				EN0	DG0		SCREW
		5				EN0	DBB		
9	05003532AB	10				EN0	DG0		BOLT, Adaptor Plate
		10				EN0	DBB		
10	05142579AA	1				EN0	DG0		BELT, Timing
		1				EN0	DBB		
11	05159211AA	1				EN0	DG0		COVER, Timing Case, Kit
		1				EN0	DBB		
12	05019861AA	1				EN0	DG0		GASKET KIT, Timing Cover
		1				EN0	DBB		
13	05066921AA	1				EN0	DG0		GASKET, Timing Cover, Serviced in Cover and Gasket Kit
		1				EN0	DBB		
14		1							BUSHING, Serviced in Cover and Gasket Kit, (NOT SERVICED)
15		1							DAMPER, Vibration, Serviced in Cover and Gasket Kit, (NOT SERVICED)
16		1							DAMPER, Vibration, Serviced in Cover and Gasket Kit, (NOT SERVICED)
17		1							GASKET, Serviced in Cover and Gasket Kit, (NOT SERVICED)
18		1							BUSHING, Serviced in Cover and Gasket Kit, (NOT SERVICED)
19		1							GASKET, Serviced in Cover and Gasket Kit, (NOT SERVICED)
20		1							GASKET, Front Cover, Serviced in Gasket Kit, (NOT SERVICED)

**LIBERTY (KJ)**  
 SERIES H = HIGHLINE M = MEDIUM P = PREMIUM  
 LINE T = JEEP - 2WD J = JEEP - 4WD U = JEEP - 4WD (RHD)  
 BODY 74 = SPORT UTILITY 4-DR  
 ENGINE EKG = 3.7L V6 Engine ENR = 2.8L 4 Cyl Turbo Diesel Engine ENJ = 2.5L 4 Cyl 16V Turbo Diesel Engine ED1 = 2.4L 4 Cyl DOHC 16v SMPI Engine  
 TRANSMISSION DG6 = 4-Spd. Automatic 42RLE Transmission DGV = 4-Spd. Automatic VLP Transmission DGQ = 5-Spd Automatic 5-45RFE Transmission DEH = 6-Speed Manual NSG370 Transmission DDD = 5-Speed HD Manual Transmission DDK = 5-Speed HD Manual Transmission

AR = use ase required - = Non illustrated part

**Engine Oiling 2.8L Diesel [ENR]  
Figure 2.8L-705**



ITEM	PART NUMBER	QTY	LINE	SERIES	BODY	ENGINE	TRANS	TRIM	DESCRIPTION
------	-------------	-----	------	--------	------	--------	-------	------	-------------

NOTE:  
Sales Codes:  
[DBB]=All Manual Transmissions  
[DEH]=6-Speed Manual NSG370 Transmission  
[DGQ]=5-Speed Automatic 5-45RFE Transmission  
[DGV]=4-Speed Automatic VLP Transmission  
[DG0]=All Automatic Transmissions  
[DG6]=4-Speed Automatic 42RLE Transmission  
[DHE]=Command-Trac H.D. Part Time NVG 241 GII Transfer Case  
[DHN]=Command-Trac Part Time NVG 231 Transfer Case  
[DHP]=Selec-Trac Full Time NVG 242 Transfer Case  
[EKG]=3.7L "Magnum" V-6 Engine  
[EK0]=All 3.7L 6-Cylinder Gas Engines  
[ENR]=2.8L 4-Cylinder Turbo Diesel Engine  
[EN0]=All 4/5 Cylinder Diesel Engines  
[NAA]=Federal Emissions  
[NAE]=California Emissions  
[NAS]=50 States Emissions

-1									FILTER, Engine Oil
	05003558AA	1				EN0	DG0		
		1				EN0	DBB		
2									INDICATOR, Engine Oil Level
	05142662AB	1				EN0	DG0		
		1				EN0	DBB		
3									O RING, Engine Oil Indicator
	04720373	1				EN0	DG0		
		1				EN0	DBB		
4									BOLT
	04864748AB	1				EN0	DG0		
		1				EN0	DBB		
5									TUBE, Oil Gauge
	05142658AA	1				EN0	DG0		
		1				EN0	DBB		
6									O RING
	05083157AA	1				EN0	DG0		

LIBERTY (KJ)	LINE	BODY	ENGINE	TRANSMISSION
SERIES				
H = HIGHLINE	T = JEEP - 2WD	74 = SPORT UTILITY 4-DR	EKG = 3.7L V6 Engine	DG6 = 4-Spd. Automatic 42RLE Transmission
M = MEDIUM	J = JEEP - 4WD		ENR = 2.8L 4 Cyl Turbo Diesel Engine	DGV = 4-Spd. Automatic VLP Transmission
P = PREMIUM	U = JEEP - 4WD (RHD)		ENJ = 2.5L 4 Cyl 16V Turbo Diesel Engine	DGQ = 5-Spd Automatic 5-45RFE Transmission
			ED1 = 2.4L 4 Cyl DOHC 16v SMPI Engine	DEH = 6-Speed Manual NSG370 Transmission
				DDD = 5-Speed HD Manual Transmission
				DDK = 5-Speed HD Manual Transmission

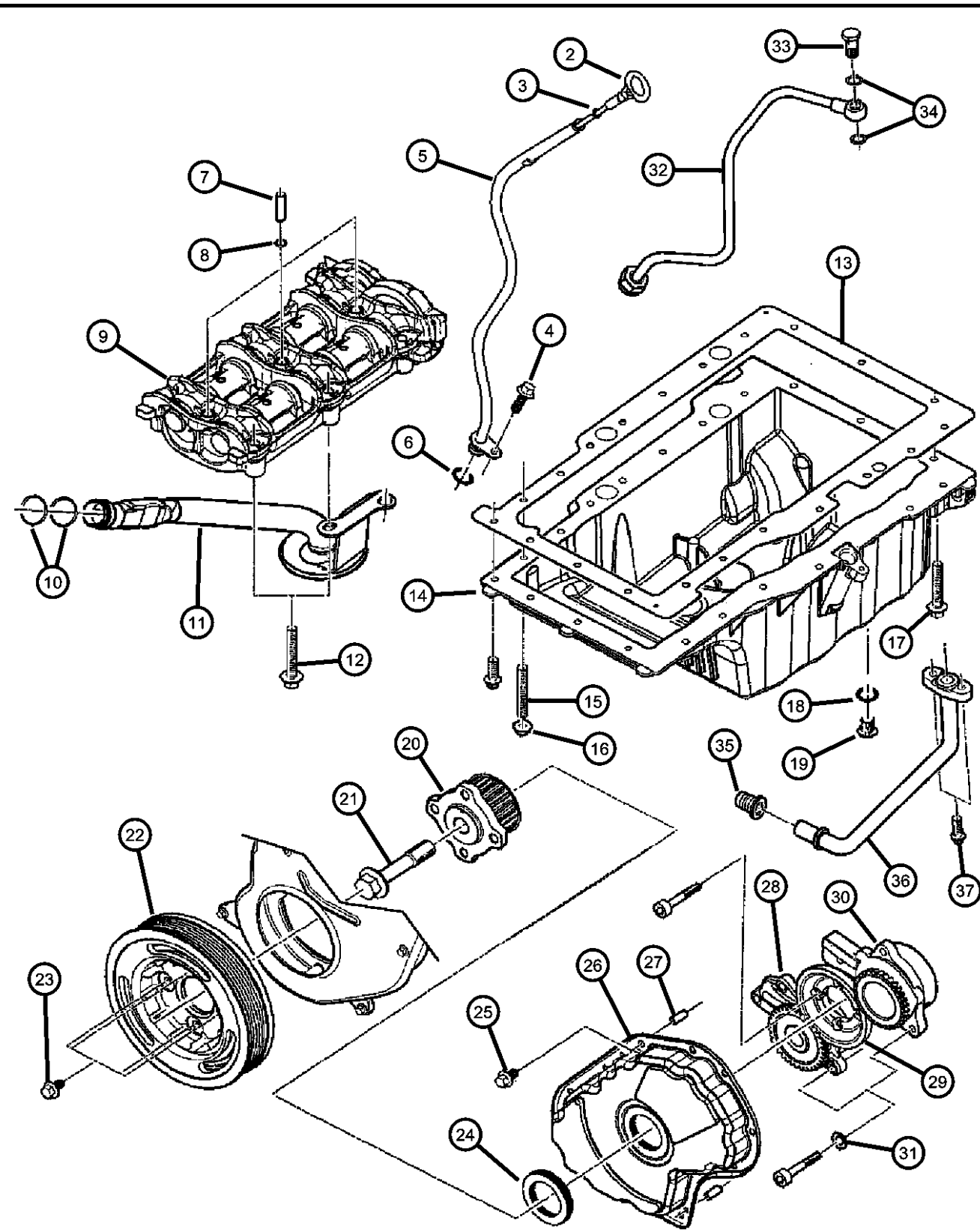
AR = use ase required - = Non illustrated part







**Engine Oiling 2.8L Diesel [ENR]  
Figure 2.8L-705**



ITEM	PART NUMBER	QTY	LINE	SERIES	BODY	ENGINE	TRANS	TRIM	DESCRIPTION
	05066834AA	2				EN0	DG0		
		2				EN0	DBB		
28	05093890AA	1				EN0	DG0		PUMP, Engine Oil
		1				EN0	DBB		
29	05066835AA	1				EN0	DG0		GEAR, Ring
		1				EN0	DBB		
30	05066768AA	1				EN0	DG0		PUMP, Vacuum
		1				EN0	DBB		
31	04720713	5				EN0	DG0		WASHER, Implement Attaching
		5				EN0	DBB		
32	05142607AA	1				EN0	DG0		PIPE
		1				EN0	DBB		
33	05142792AA	1				EN0	DG0		SCREW
		1				EN0	DBB		
34	04720713	5				EN0	DG0		WASHER, Implement Attaching
		5				EN0	DBB		
35	05142794AA	1				EN0	DG0		SEAL, Oil Drain Pipe
		1				EN0	DBB		
36	05183073AA	1				EN0	DG0		PIPE, Turbo Oil Drain
		1				EN0	DBB		
37									SCREW

**LIBERTY (KJ)**

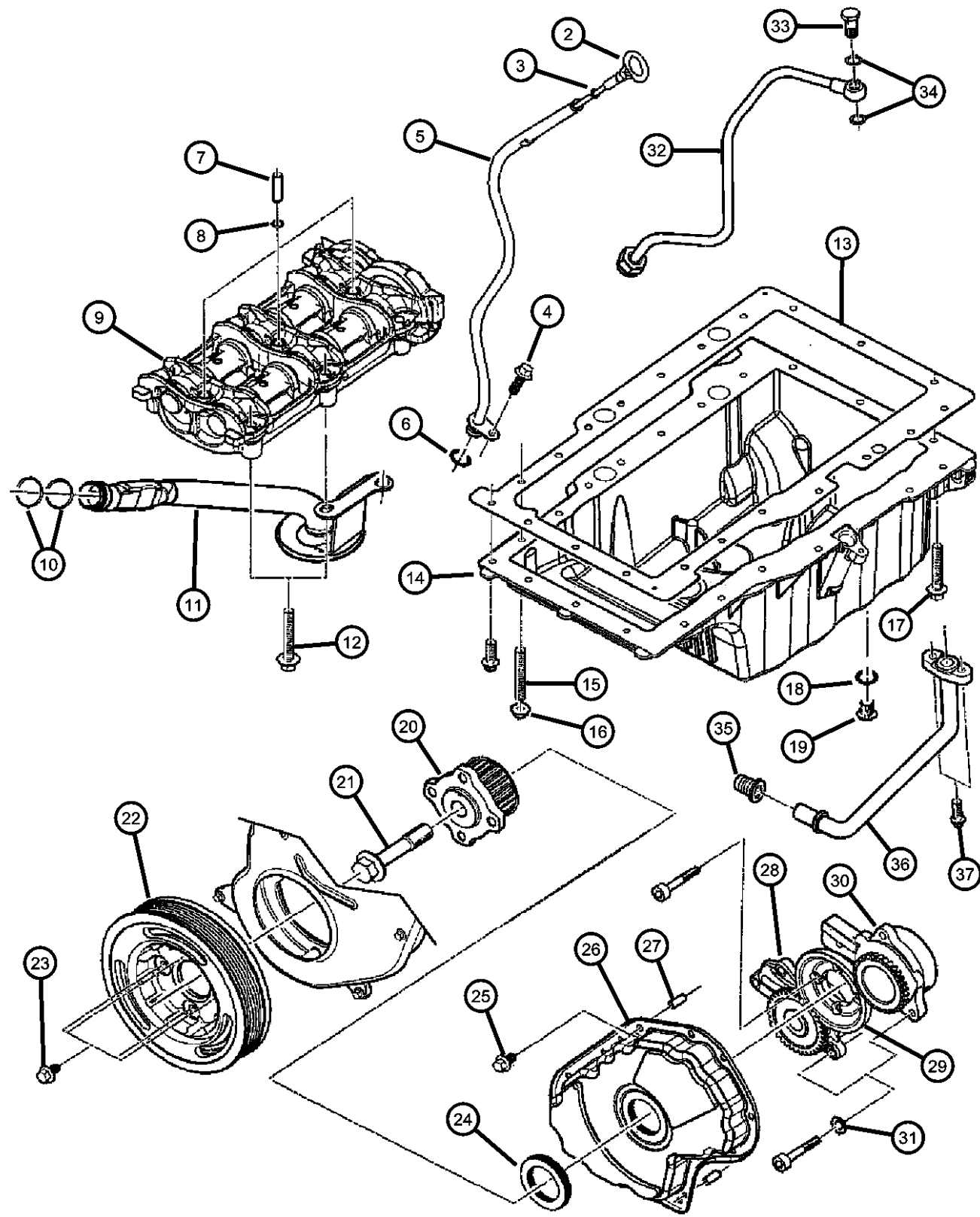
SERIES	LINE
H = HIGHLINE	T = JEEP - 2WD
M = MEDIUM	J = JEEP - 4WD
P = PREMIUM	U = JEEP - 4WD (RHD)

BODY
74 = SPORT UTILITY 4-DR

ENGINE	TRANSMISSION
EKG = 3.7L V6 Engine	DG6 = 4-Spd. Automatic 42RLE
ENR = 2.8L 4 Cyl Turbo Diesel Engine	Transmission
ENJ = 2.5L 4 Cyl 16V Turbo Diesel Engine	DGV = 4-Spd. Automatic VLP
ED1 = 2.4L 4 Cyl DOHC 16v SMPI Engine	Transmission
	DGQ = 5-Spd Automatic 5-45RFE
	Transmission
	DEH = 6-Speed Manual NSG370
	Transmission
	DDD = 5-Speed HD Manual
	Transmission
	DDK = 5-Speed HD Manual
	Transmission

AR = use ase required - = Non illustrated part

**Engine Oiling 2.8L Diesel [ENR]  
Figure 2.8L-705**



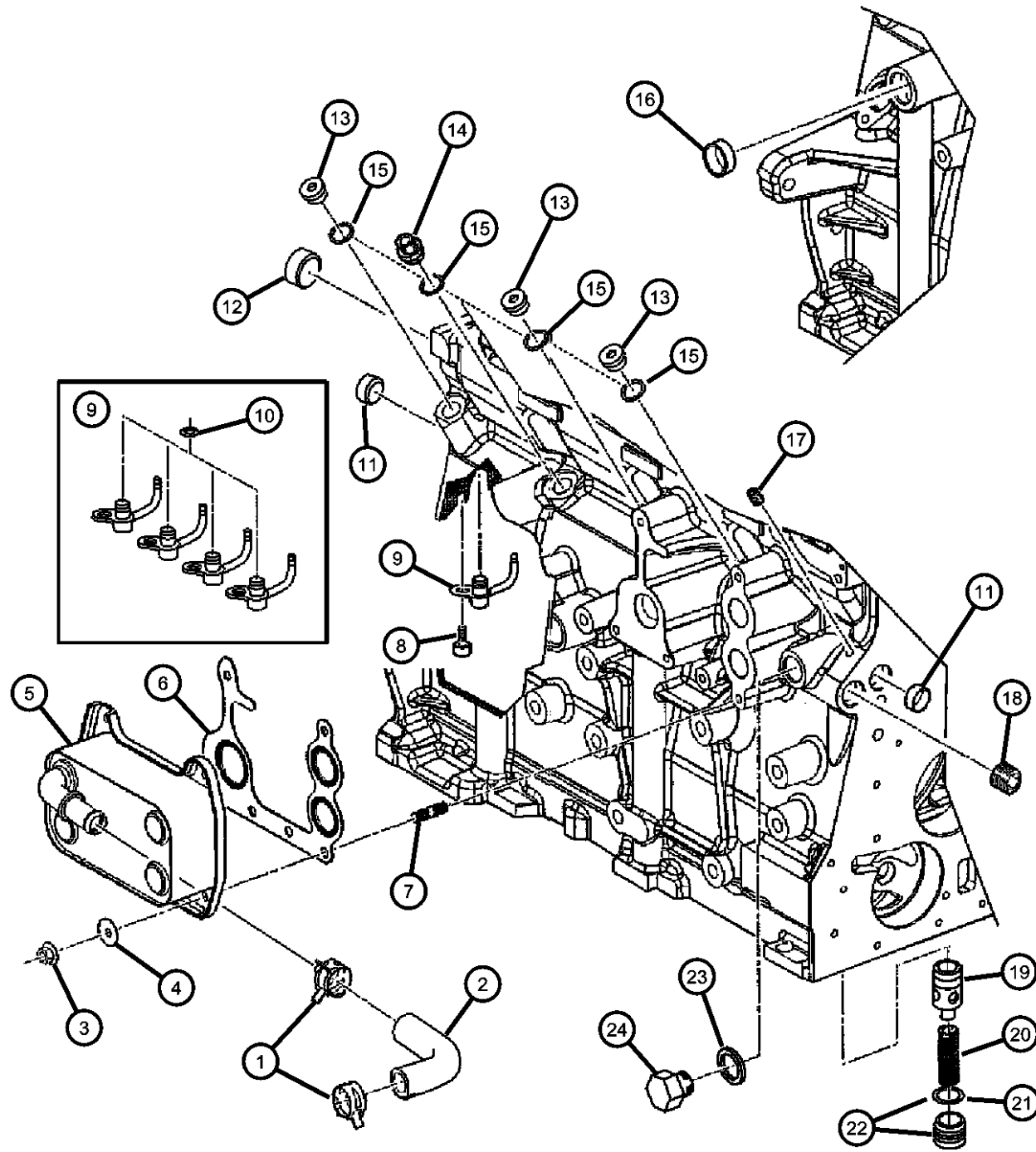
ITEM	PART NUMBER	QTY	LINE	SERIES	BODY	ENGINE	TRANS	TRIM	DESCRIPTION
------	-------------	-----	------	--------	------	--------	-------	------	-------------

	05066944AB	8				EN0	DG0		
		8				EN0	DBB		

<b>LIBERTY (KJ)</b>								
SERIES	LINE	BODY	ENGINE	TRANSMISSION				
H = HIGHLINE	T = JEEP - 2WD	74 = SPORT UTILITY 4-DR	EKG = 3.7L V6 Engine	DG6 = 4-Spd. Automatic 42RLE				
M = MEDIUM	J = JEEP - 4WD		ENR = 2.8L 4 Cyl Turbo Diesel Engine	DGV = 4-Spd. Automatic VLP				
P = PREMIUM	U = JEEP - 4WD (RHD)		ENJ = 2.5L 4 Cyl 16V Turbo Diesel Engine	DGQ = 5-Spd Automatic 5-45RFE				
			ED1 = 2.4L 4 Cyl DOHC 16v SMPI Engine	DEH = 6-Speed Manual NSG370				
				DDD = 5-Speed HD Manual				
				DDK = 5-Speed HD Manual				
				Transmission				

AR = use ase required - = Non illustrated part

**Oil Passages and Oil Cooler 2.8L Diesel [ENR]  
Figure 2.8L-710**



ITEM	PART NUMBER	QTY	LINE	SERIES	BODY	ENGINE	TRANS	TRIM	DESCRIPTION
------	-------------	-----	------	--------	------	--------	-------	------	-------------

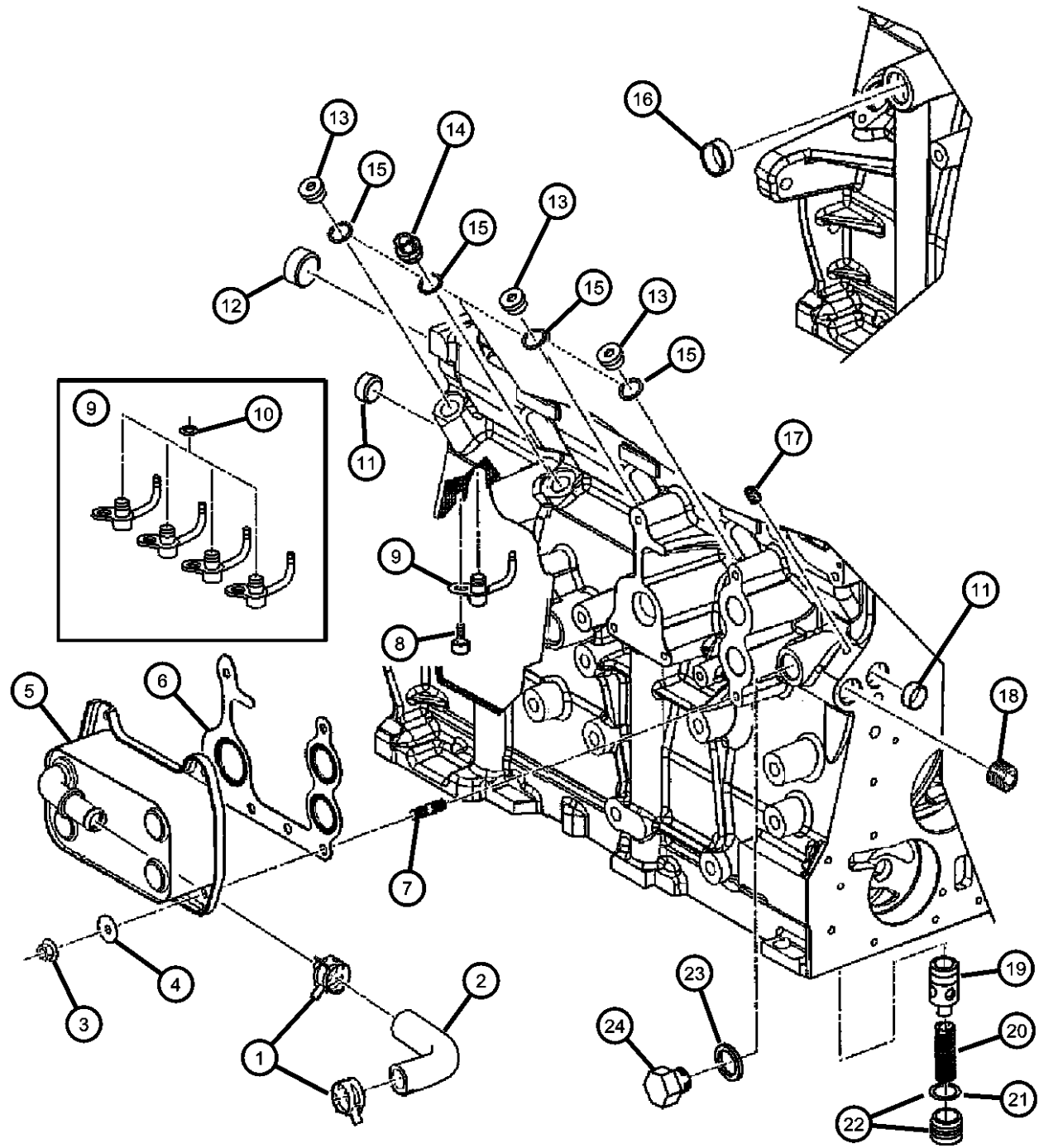
NOTE:  
Sales Codes:  
[DBB]=All Manual Transmissions  
[DEH]=6-Speed Manual NSG370 Transmission  
[DGQ]=5-Speed Automatic 5-45RFE Transmission  
[DGV]=4-Speed Automatic VLP Transmission  
[DG0]=All Automatic Transmissions  
[DG6]=4-Speed Automatic 42RLE Transmission  
[DHE]=Command-Trac H.D. Part Time NVG 241 GII Transfer Case  
[DHN]=Command-Trac Part Time NVG 231 Transfer Case  
[DHP]=Selec-Trac Full Time NVG 242 Transfer Case  
[EKG]=3.7L "Magnum" V-6 Engine  
[EK0]=All 3.7L 6-Cylinder Gas Engines  
[ENR]=2.8L 4-Cylinder Turbo Diesel Engine  
[EN0]=All 4/5 Cylinder Diesel Engines  
[NAA]=Federal Emissions  
[NAE]=California Emissions  
[NAS]=50 States Emissions

1									CLAMP, Heater Hose
	04883924AA	4				EN0	DBB		
		4				EN0	DG0		
2									HOSE
	05142790AA	1				EN0	DG0		
		1				EN0	DBB		
3									NUT, Suction Pipe Attaching
	04778936	8				EN0	DG0		
		8				EN0	DBB		
4									WASHER, Starter
	04723279	6				EN0	DG0		
		6				EN0	DBB		
5	05142820AA	1				EN0	DG0		COOLER, Oil
6									GASKET, Oil Cooler
	05142816AA	1				EN0	DG0		
		1				EN0	DBB		
7									SCREW

<b>LIBERTY (KJ)</b>				
SERIES	LINE	BODY	ENGINE	TRANSMISSION
H = HIGHLINE	T = JEEP - 2WD	74 = SPORT UTILITY 4-DR	EKG = 3.7L V6 Engine	DG6 = 4-Spd. Automatic 42RLE Transmission
M = MEDIUM	J = JEEP - 4WD		ENR = 2.8L 4 Cyl Turbo Diesel Engine	DGV = 4-Spd. Automatic VLP Transmission
P = PREMIUM	U = JEEP - 4WD (RHD)		ENJ = 2.5L 4 Cyl 16V Turbo Diesel Engine	DGQ = 5-Spd Automatic 5-45RFE Transmission
			ED1 = 2.4L 4 Cyl DOHC 16v SMPI Engine	DEH = 6-Speed Manual NSG370 Transmission
				DDD = 5-Speed HD Manual Transmission
				DDK = 5-Speed HD Manual Transmission

AR = use ase required - = Non illustrated part

**Oil Passages and Oil Cooler 2.8L Diesel [ENR]  
Figure 2.8L-710**



ITEM	PART NUMBER	QTY	LINE	SERIES	BODY	ENGINE	TRANS	TRIM	DESCRIPTION
	05135263AA	2				EN0	DG0		
		2				EN0	DBB		
8	04882620	4				EN0	DG0		SCREW
		4				EN0	DBB		
9	05143079AA	1				EN0	DG0		JET, Valve Body, Oil Jet Kit
		1				EN0	DBB		
10									O RING, Also serviced with Oil Jet Kit
	04864689	4				EN0	DG0		
		4				EN0	DBB		
11									PLUG, Cylinder Block Oil Hole
	04723211	5				EN0	DG0		
		5				EN0	DBB		
12									PLUG, Cylinder Block Oil Hole
	04778887	1				EN0	DG0		
		1				EN0	DBB		
13									BOLT, Oil Feed To Turbo Adapter
	05066889AA	3				EN0	DG0		
		3				EN0	DBB		
14									BOLT, Turbo Oil Feed Adapter
	05066814AA	1				EN0	DG0		
		1				EN0	DBB		
15									WASHER, Oil Pressure Transducer
	04720704	5				EN0	DG0		
		5				EN0	DBB		
16									PLUG
	05142660AA	1				EN0	DG0		
		1				EN0	DBB		

**LIBERTY (KJ)**  
**SERIES**  
 H = HIGHLINE  
 M = MEDIUM  
 P = PREMIUM

**LINE**  
 T = JEEP - 2WD  
 J = JEEP - 4WD  
 U = JEEP - 4WD (RHD)

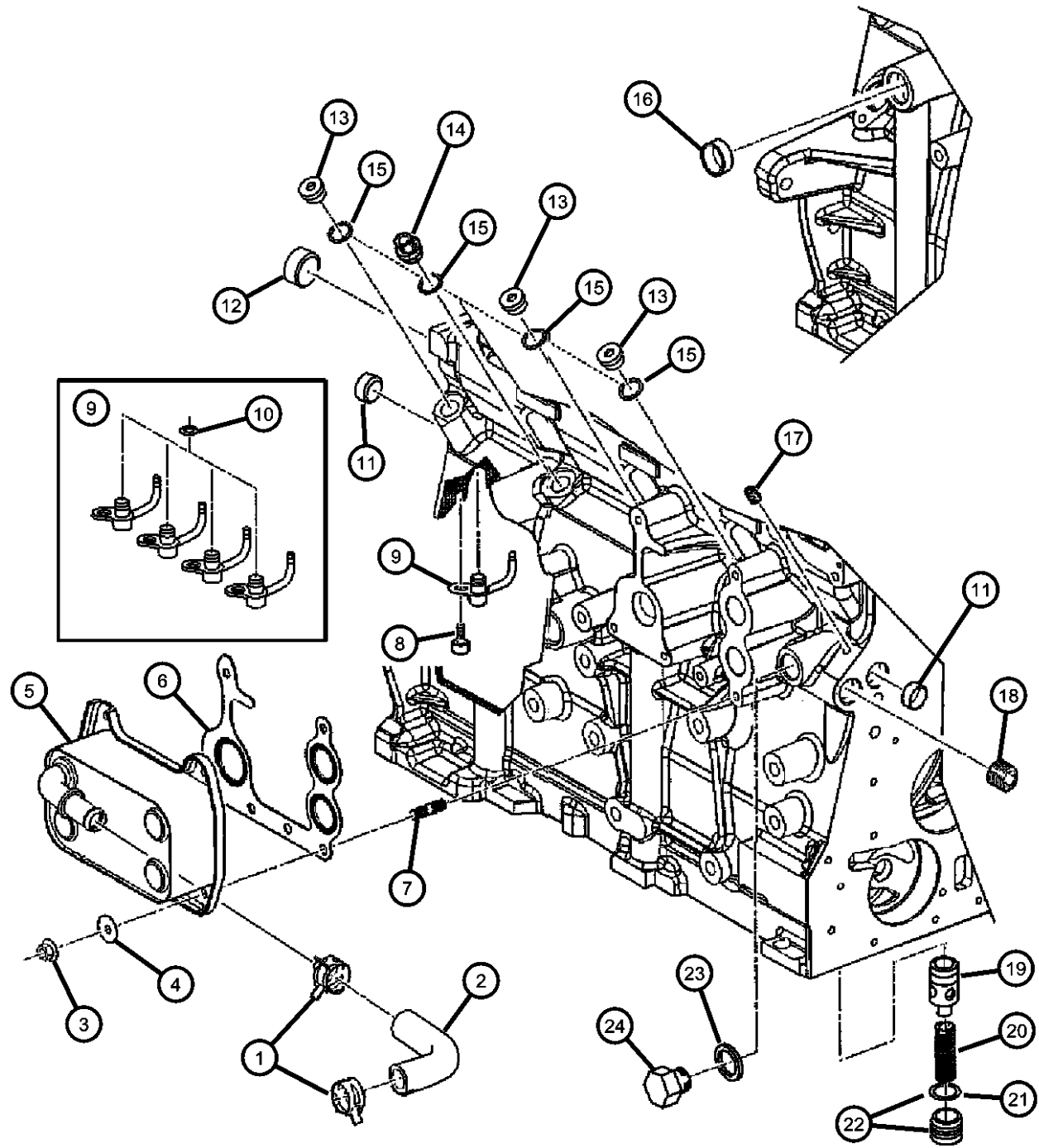
**BODY**  
 74 = SPORT UTILITY 4-DR

**ENGINE**  
 EKG = 3.7L V6 Engine  
 ENR = 2.8L 4 Cyl Turbo Diesel Engine  
 ENJ = 2.5L 4 Cyl 16V Turbo Diesel Engine  
 ED1 = 2.4L 4 Cyl DOHC 16v SMPI Engine

**TRANSMISSION**  
 DG6 = 4-Spd. Automatic 42RLE Transmission  
 DGV = 4-Spd. Automatic VLP Transmission  
 DGQ = 5-Spd Automatic 5-45RFE Transmission  
 DEH = 6-Speed Manual NSG370 Transmission  
 DDD = 5-Speed HD Manual Transmission  
 DDK = 5-Speed HD Manual Transmission

AR = use ase required - = Non illustrated part

**Oil Passages and Oil Cooler 2.8L Diesel [ENR]  
Figure 2.8L-710**

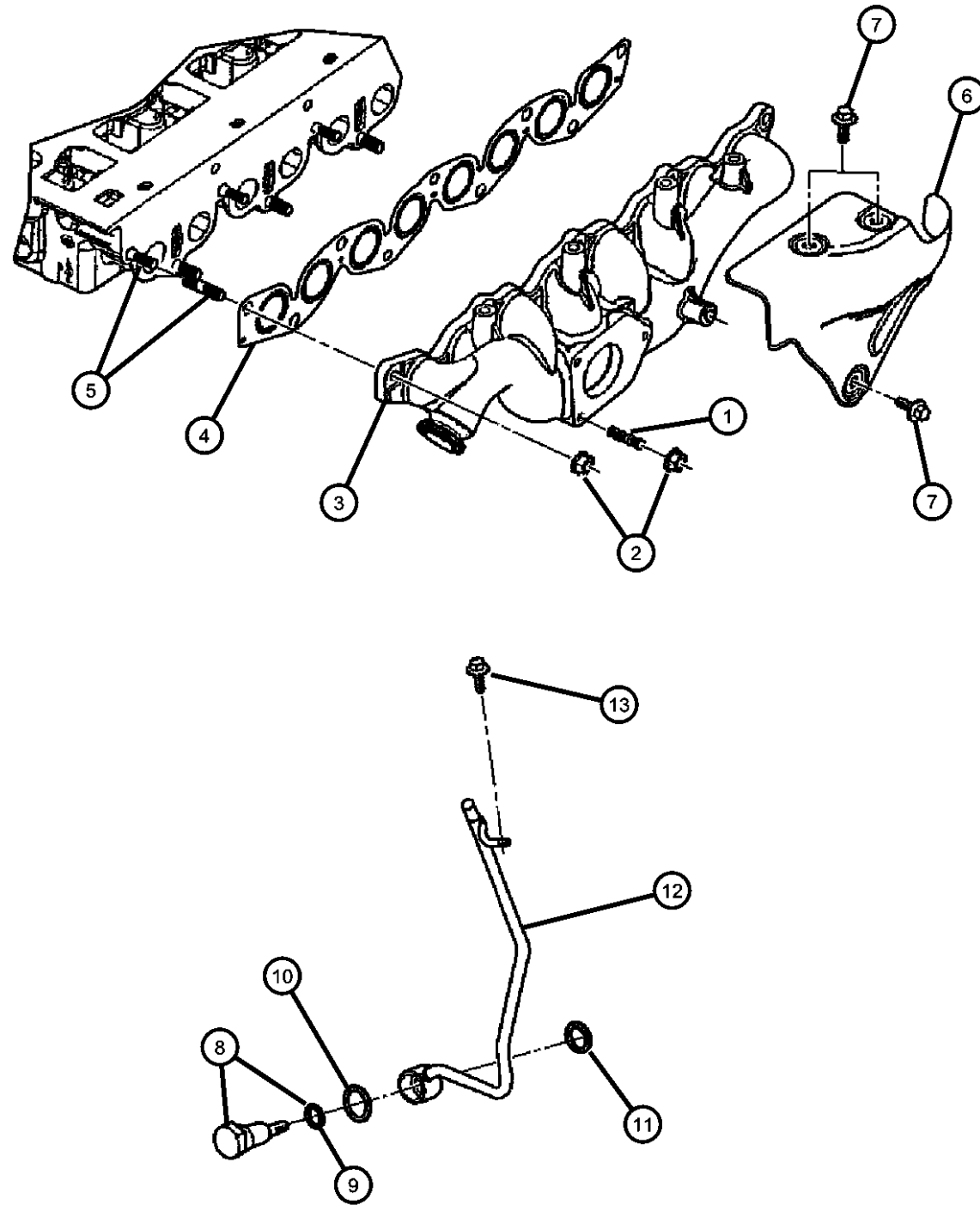


ITEM	PART NUMBER	QTY	LINE	SERIES	BODY	ENGINE	TRANS	TRIM	DESCRIPTION
17	04883424AA	1				EN0	DG0		PLUG, Cylinder Block
18	04864753	1				EN0	DBB		PLUG
19	05066816AA	1				EN0	DG0		VALVE, Oil Pressure Relief
20	05093915AA	1				EN0	DG0		SPRING, Oil Pressure Relief Valve
21	05066887AA	1				EN0	DG0		O RING
22	05142550AA	1				EN0	DG0		PLUG, Oil Valve
23	04720564	1				EN0	DG0		WASHER, Hose Adapter
24	05142803AA	1				EN0	DG0		PLUG

**LIBERTY (KJ)**  
 SERIES H = HIGHLINE M = MEDIUM P = PREMIUM  
 LINE T = JEEP - 2WD J = JEEP - 4WD U = JEEP - 4WD (RHD)  
 BODY 74 = SPORT UTILITY 4-DR  
 ENGINE EKG = 3.7L V6 Engine ENR = 2.8L 4 Cyl Turbo Diesel Engine ENJ = 2.5L 4 Cyl 16V Turbo Diesel Engine ED1 = 2.4L 4 Cyl DOHC 16v SMPI Engine  
 TRANSMISSION DG6 = 4-Spd. Automatic 42RLE Transmission DGV = 4-Spd. Automatic VLP Transmission DGQ = 5-Spd Automatic 5-45RFE Transmission DEH = 6-Speed Manual NSG370 Transmission DDD = 5-Speed HD Manual Transmission DDK = 5-Speed HD Manual Transmission

AR = use ase required - = Non illustrated part

**Exhaust Manifold and Vacuum Line 2.8L Diesel [ENR]  
Figure 2.8L-805**



ITEM	PART NUMBER	QTY	LINE	SERIES	BODY	ENGINE	TRANS	TRIM	DESCRIPTION
------	-------------	-----	------	--------	------	--------	-------	------	-------------

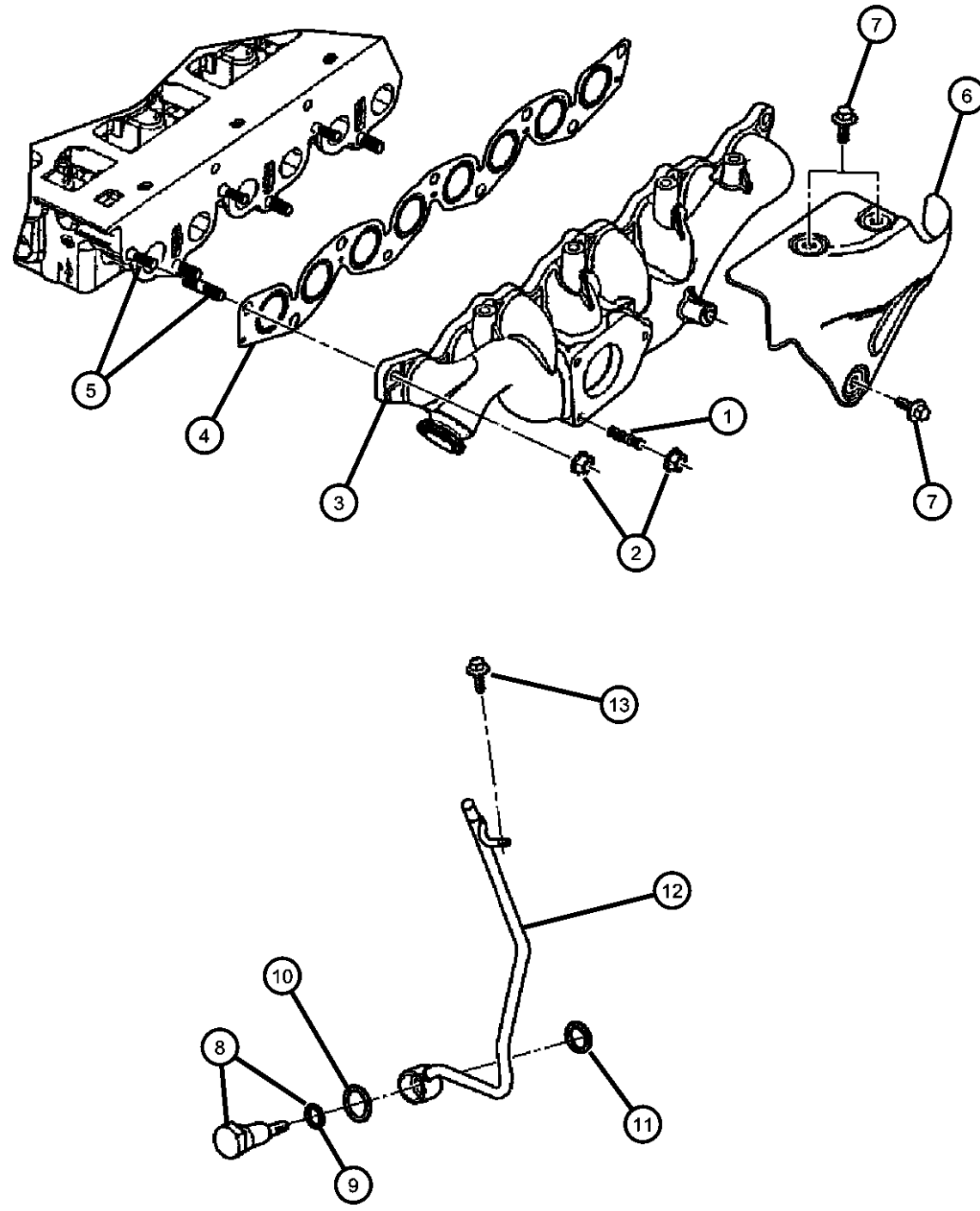
NOTE:  
Sales Codes:  
[DBB]=All Manual Transmissions  
[DEH]=6-Speed Manual NSG370 Transmission  
[DGQ]=5-Speed Automatic 5-45RFE Transmission  
[DGV]=4-Speed Automatic VLP Transmission  
[DG0]=All Automatic Transmissions  
[DG6]=4-Speed Automatic 42RLE Transmission  
[DHE]=Command-Trac H.D. Part Time NVG 241 GII Transfer Case  
[DHN]=Command-Trac Part Time NVG 231 Transfer Case  
[DHP]=Selec-Trac Full Time NVG 242 Transfer Case  
[EKG]=3.7L "Magnum" V-6 Engine  
[EK0]=All 3.7L 6-Cylinder Gas Engines  
[ENR]=2.8L 4-Cylinder Turbo Diesel Engine  
[EN0]=All 4/5 Cylinder Diesel Engines  
[NAA]=Federal Emissions  
[NAE]=California Emissions  
[NAS]=50 States Emissions

1									STUD
	05142801AA	3				EN0	DG0		
		3				EN0	DBB		
2									NUT, Flange
	05142578AA	3				EN0	DG0		
		3				EN0	DBB		
3									MANIFOLD, Exhaust
	05142653AB	1				EN0	DG0		
		1				EN0	DBB		
4									GASKET, Intake/Exhaust Manifold
	05093904AA	1				EN0	DG0		
		1				EN0	DBB		
5									STUD, Turbo Elbow
	05066796AA	9				EN0	DG0		
		9				EN0	DBB		
6									SHIELD, Exhaust Manifold
	05142614AA	1				EN0	DG0		

**LIBERTY (KJ)**  
SERIES      LINE      BODY      ENGINE      TRANSMISSION  
H = HIGHLINE    T = JEEP - 2WD    74 = SPORT UTILITY 4-DR    EKG = 3.7L V6 Engine    DG6 = 4-Spd. Automatic 42RLE  
M = MEDIUM      J = JEEP - 4WD           ENR = 2.8L 4 Cyl Turbo Diesel Engine    Transmission  
P = PREMIUM      U = JEEP - 4WD (RHD)           ENJ = 2.5L 4 Cyl 16V Turbo Diesel Engine    DGV = 4-Spd. Automatic VLP Transmission  
                     ED1 = 2.4L 4 Cyl DOHC 16v SMPI Engine    DGQ = 5-Spd Automatic 5-45RFE Transmission  
                                         DEH = 6-Speed Manual NSG370 Transmission  
                                         DDD = 5-Speed HD Manual Transmission  
                                         DDK = 5-Speed HD Manual Transmission

AR = use ase required - = Non illustrated part

**Exhaust Manifold and Vacuum Line 2.8L Diesel [ENR]  
Figure 2.8L-805**

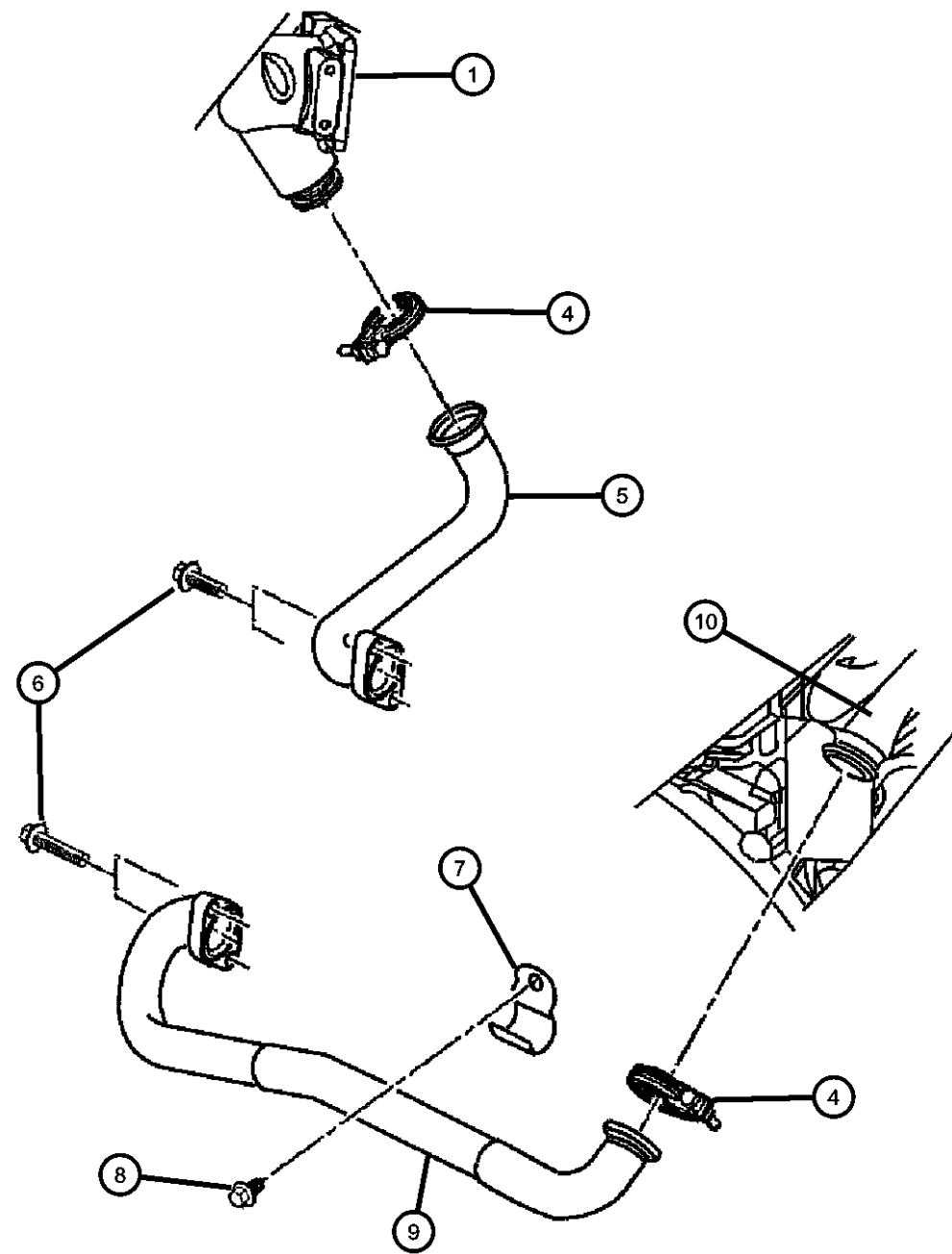


ITEM	PART NUMBER	QTY	LINE	SERIES	BODY	ENGINE	TRANS	TRIM	DESCRIPTION
7		1				EN0	DBB		SCREW
	05072688AA	4				EN0	DG0		
8		4				EN0	DBB		VALVE, Vacuum Pump
	05015037AA	1				EN0	DG0		
		1				EN0	DBB		
9		1							O RING
	05066860AA	1				EN0	DBB		
		1				EN0	DG0		
10		1							WASHER, Plain
	05015040AA	1				EN0	DG0		
		1				EN0	DBB		
11		1							GASKET, Vacuum Pump, .
	04863779	1				EN0	DG0		
		1				EN0	DBB		
12		1							LINE, Vacuum
	05142786AA	1				EN0	DG0		
		1				EN0	DBB		
13		1							BOLT, M6x10
	05003551AA	1				EN0	DG0		
		1				EN0	DBB		

<b>LIBERTY (KJ)</b>				
SERIES	LINE	BODY	ENGINE	TRANSMISSION
H = HIGHLINE	T = JEEP - 2WD	74 = SPORT UTILITY 4-DR	EKG = 3.7L V6 Engine	DG6 = 4-Spd. Automatic 42RLE
M = MEDIUM	J = JEEP - 4WD		ENR = 2.8L 4 Cyl Turbo Diesel Engine	Transmission
P = PREMIUM	U = JEEP - 4WD (RHD)		ENJ = 2.5L 4 Cyl 16V Turbo Diesel Engine	DGV = 4-Spd. Automatic VLP
			ED1 = 2.4L 4 Cyl DOHC 16v SMPI Engine	Transmission
				DGQ = 5-Spd Automatic 5-45RFE
				Transmission
				DEH = 6-Speed Manual NSG370
				Transmission
				DDD = 5-Speed HD Manual
				Transmission
				DDK = 5-Speed HD Manual
				Transmission

AR = use ase required - = Non illustrated part

**Intake Manifold Air Lines 2.8L Diesel [ENR]  
Figure 2.8L-810**



ITEM	PART NUMBER	QTY	LINE	SERIES	BODY	ENGINE	TRANS	TRIM	DESCRIPTION
------	-------------	-----	------	--------	------	--------	-------	------	-------------

**NOTE:**

**Sales Codes:**

- [DBB]=All Manual Transmissions
- [DEH]=6-Speed Manual NSG370 Transmission
- [DGQ]=5-Speed Automatic 5-45RFE Transmission
- [DGV]=4-Speed Automatic VLP Transmission
- [DG0]=All Automatic Transmissions
- [DG6]=4-Speed Automatic 42RLE Transmission
- [DHE]=Command-Trac H.D. Part Time NVG 241 GII Transfer Case
- [DHN]=Command-Trac Part Time NVG 231 Transfer Case
- [DHP]=Selec-Trac Full Time NVG 242 Transfer Case
- [EKG]=3.7L "Magnum" V-6 Engine
- [EK0]=All 3.7L 6-Cylinder Gas Engines
- [ENR]=2.8L 4-Cylinder Turbo Diesel Engine
- [EN0]=All 4/5 Cylinder Diesel Engines
- [NAA]=Federal Emissions
- [NAE]=California Emissions
- [NAS]=50 States Emissions

1									ELBOW, Air Intake
	05142602AA	1				EN0	DG0		
		1				EN0	DBB		
-2									GASKET, Air Intake Elbow
	05066946AA	1				EN0	DG0		
		1				EN0	DBB		
-3									SCREW, Elbow Attaching
	05066944AB	8				EN0	DG0		
		8				EN0	DBB		
4	05142994AA	2				EN0	DG0		CLAMP
5	05142600AA	1				EN0	DBB		PIPE, EGR, Support to EGR Kit
6	05066963AA	4				EN0	DBB		SCREW
7									CLAMP
	05142585AA	1				EN0	DG0		
		1				EN0	DBB		
8									BOLT
	04864748AB	1				EN0	DG0		

**LIBERTY (KJ)**

SERIES      LINE  
H = HIGHLINE    T = JEEP - 2WD  
M = MEDIUM      J = JEEP - 4WD  
P = PREMIUM      U = JEEP - 4WD (RHD)

BODY  
74 = SPORT UTILITY 4-DR

ENGINE      TRANSMISSION  
EKG = 3.7L V6 Engine      DG6 = 4-Spd. Automatic 42RLE  
ENR = 2.8L 4 Cyl Turbo Diesel      Transmission  
Engine      DGV = 4-Spd. Automatic VLP  
ENJ = 2.5L 4 Cyl 16V Turbo      Transmission  
Diesel Engine      DGQ = 5-Spd Automatic 5-45RFE  
ED1 = 2.4L 4 Cyl DOHC 16v      Transmission  
SMPI Engine      DEH = 6-Speed Manual NSG370  
Transmission  
DDD = 5-Speed HD Manual  
Transmission  
DDK = 5-Speed HD Manual  
Transmission

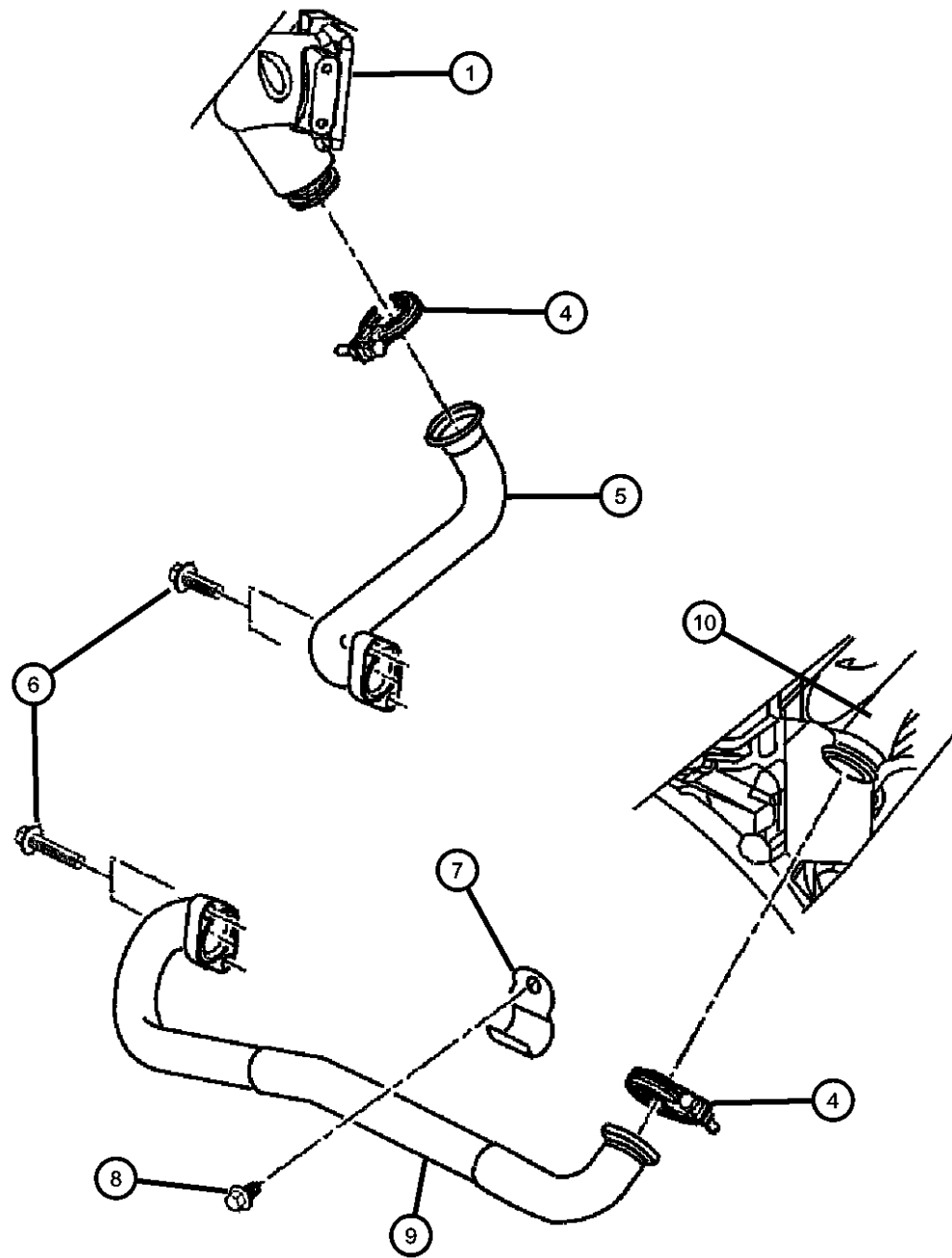
AR = use ase required    - = Non illustrated part

2006 KJ



**Intake Manifold Air Lines 2.8L Diesel [ENR]  
Figure 2.8L-810**

ITEM	PART NUMBER	QTY	LINE	SERIES	BODY	ENGINE	TRANS	TRIM	DESCRIPTION
		1				EN0	DBB		
9	05170765AA	1				EN0	DG0		PIPE, EGR, Manifold to Valve
10	05170765AA	1							MANIFOLD, Exhaust, Reference, (NOT SERVICED)



**LIBERTY (KJ)**

SERIES      LINE  
H = HIGHLINE    T = JEEP - 2WD  
M = MEDIUM     J = JEEP - 4WD  
P = PREMIUM    U = JEEP - 4WD (RHD)

BODY  
74 = SPORT UTILITY 4-DR

ENGINE  
EKG = 3.7L V6 Engine  
ENR = 2.8L 4 Cyl Turbo Diesel Engine  
ENJ = 2.5L 4 Cyl 16V Turbo Diesel Engine  
ED1 = 2.4L 4 Cyl DOHC 16v SMPI Engine

TRANSMISSION  
DG6 = 4-Spd. Automatic 42RLE Transmission  
DGV = 4-Spd. Automatic VLP Transmission  
DGQ = 5-Spd Automatic 5-45RFE Transmission  
DEH = 6-Speed Manual NSG370 Transmission  
DDD = 5-Speed HD Manual Transmission  
DDK = 5-Speed HD Manual Transmission

AR = use ase required    - = Non illustrated part

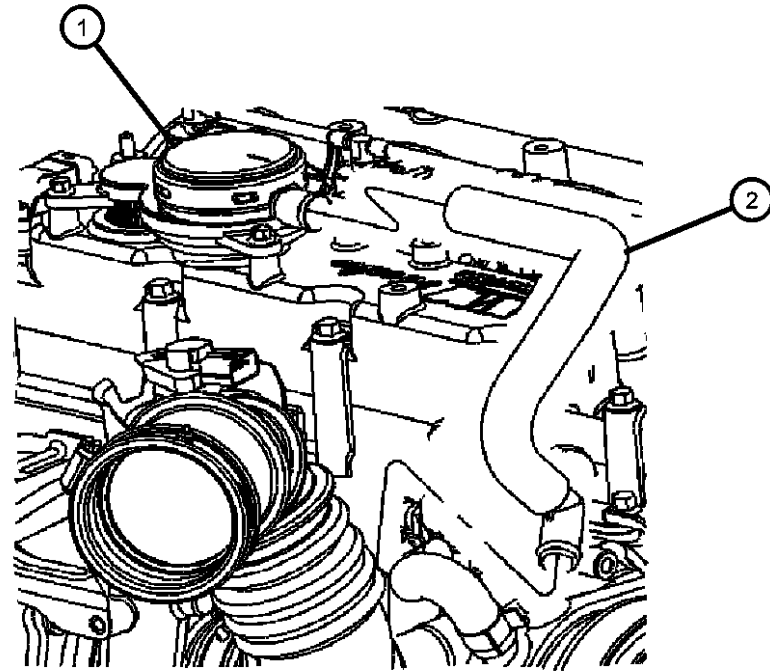
**Crankcase Ventilation 2.8L Diesel [ENR]  
Figure 2.8L-905**

ITEM	PART NUMBER	QTY	LINE	SERIES	BODY	ENGINE	TRANS	TRIM	DESCRIPTION
------	-------------	-----	------	--------	------	--------	-------	------	-------------

NOTE:

Sales Codes:

- [DBB]=All Manual Transmissions
- [DEH]=6-Speed Manual NSG370 Transmission
- [DGQ]=5-Speed Automatic 5-45RFE Transmission
- [DGV]=4-Speed Automatic VLP Transmission
- [DG0]=All Automatic Transmissions
- [DG6]=4-Speed Automatic 42RLE Transmission
- [DHE]=Command-Trac H.D. Part Time NVG 241 GII Transfer Case
- [DHN]=Command-Trac Part Time NVG 231 Transfer Case
- [DHP]=Selec-Trac Full Time NVG 242 Transfer Case
- [EKG]=3.7L "Magnum" V-6 Engine
- [EK0]=All 3.7L 6-Cylinder Gas Engines
- [ENR]=2.8L 4-Cylinder Turbo Diesel Engine
- [EN0]=All 4/5 Cylinder Diesel Engines
- [NAA]=Federal Emissions
- [NAE]=California Emissions
- [NAS]=50 States Emissions



1									VALVE, Pressure Control
	05114348AB	1				EN0	DG0		
		1				EN0	DBB		
2	53013729AC	1				EN0			HOSE, Separator To Air Cleaner

**LIBERTY (KJ)**

SERIES	LINE	BODY	ENGINE	TRANSMISSION
H = HIGHLINE	T = JEEP - 2WD	74 = SPORT UTILITY 4-DR	EKG = 3.7L V6 Engine	DG6 = 4-Spd. Automatic 42RLE
M = MEDIUM	J = JEEP - 4WD		ENR = 2.8L 4 Cyl Turbo Diesel Engine	Transmission
P = PREMIUM	U = JEEP - 4WD (RHD)		ENJ = 2.5L 4 Cyl 16V Turbo Diesel Engine	DGV = 4-Spd. Automatic VLP Transmission
			ED1 = 2.4L 4 Cyl DOHC 16v SMPI Engine	DGQ = 5-Spd Automatic 5-45RFE Transmission
				DEH = 6-Speed Manual NSG370 Transmission
				DDD = 5-Speed HD Manual Transmission
				DDK = 5-Speed HD Manual Transmission

AR = use ase required - = Non illustrated part

2006 KJ

# Group - 11

## Exhaust

### Group - 11 Exhaust

Illustration Title

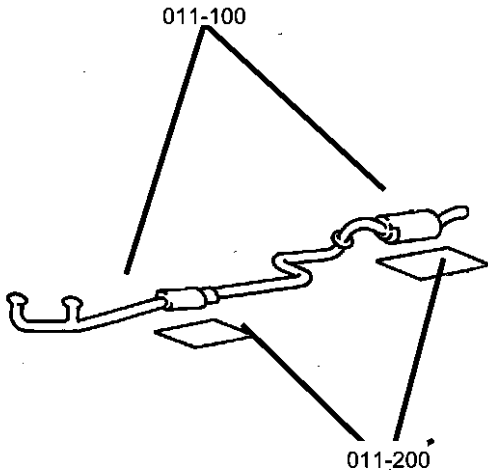
Group-Fig. No.

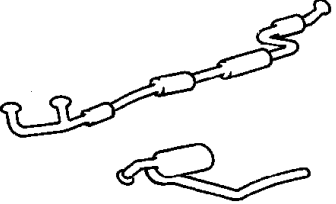
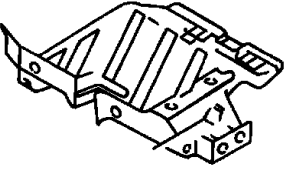
**Exhaust System**

Exhaust System 2.8L [EN0] ..... Fig. 11 - 110  
 Exhaust System 3.7L [EK0] ..... Fig. 11 - 130

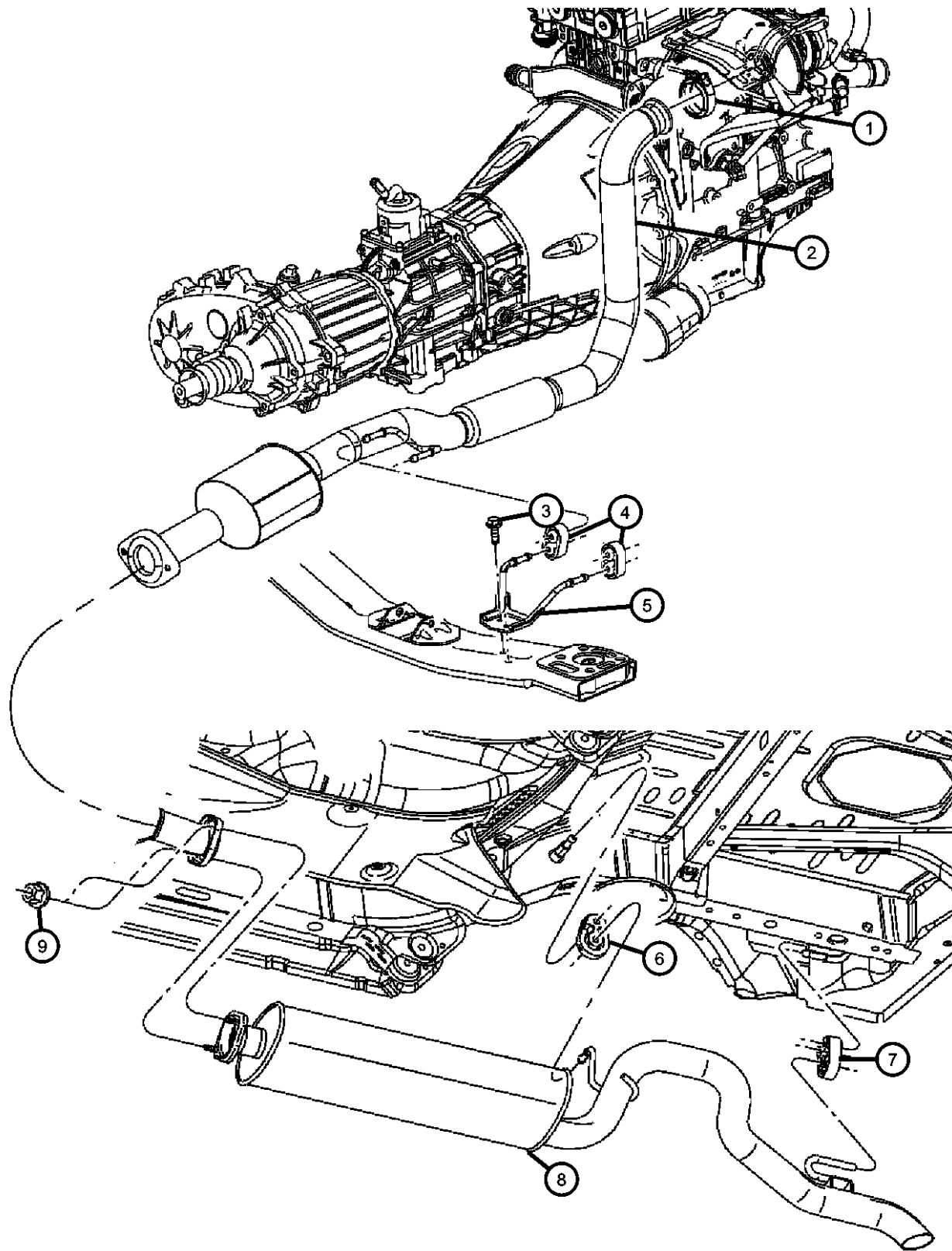
**Heat Shields**

Heat Shields ..... Fig. 11 - 210



<p><b>011-100</b> Exhaust System</p> 	<p><b>011-200</b> Heat Shields</p> 		
---	--	--	--

Exhaust System 2.8L [EN0]  
Figure 11-110



ITEM	PART NUMBER	QTY	LINE	SERIES	BODY	ENGINE	TRANS	TRIM	DESCRIPTION
------	-------------	-----	------	--------	------	--------	-------	------	-------------

Note: Sales Codes  
[EN0]= All 4/5 Cylinder Turbo Diesels

1	52128847AA	1				EN0			CLAMP, Turbo
2									PIPE AND CONVERTER, Exhaust
	52080451AC	1	J, U			EN0			[NA1]
	52129140AD	1	J, T			EN0			[NAA= NAE]
3	06101611	2				EN0			SCREW AND WASHER, Hex Head, M8x1.25x25
4	52101035	2				EN0			INSULATOR, Exhaust
5	52128686AB	1				EN0			HANGER, Exhaust
6	52128501AA	1							ISOLATOR
7	52128686AB	1				EN0			HANGER, Exhaust
8	52101120AD	1							MUFFLER AND TAILPIPE, Exhaust
9	06101696	2							NUT

LIBERTY (KJ)

SERIES	LINE
H = HIGHLINE	T = JEEP - 2WD
M = MEDIUM	J = JEEP - 4WD
P = PREMIUM	U = JEEP - 4WD (RHD)

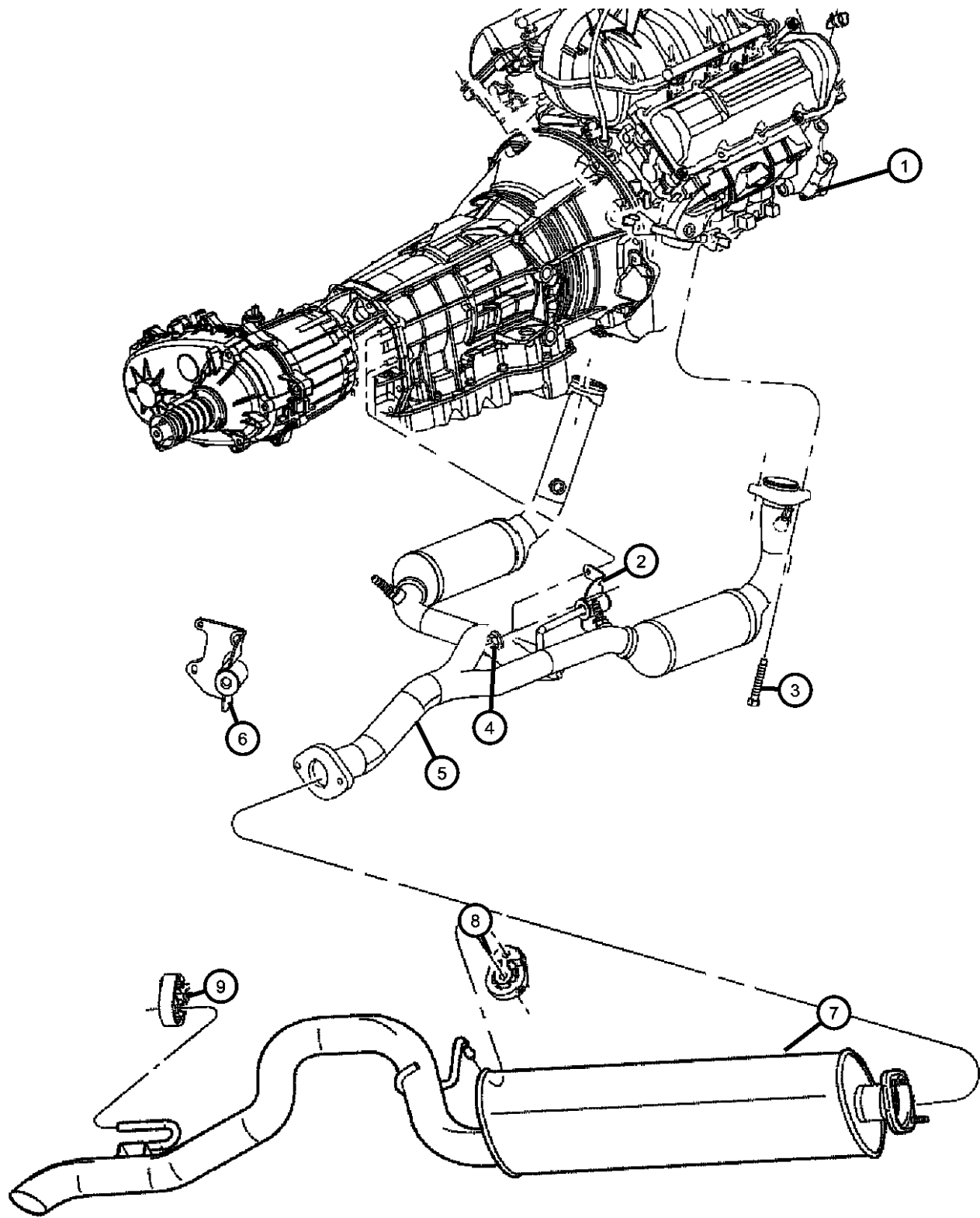
BODY
74 = SPORT UTILITY 4-DR

ENGINE	TRANSMISSION
EKG = 3.7L V6 Engine	DG6 = 4-Spd. Automatic 42RLE
ENR = 2.8L 4 Cyl Turbo Diesel Engine	Transmission
ENJ = 2.5L 4 Cyl 16V Turbo Diesel Engine	DGV = 4-Spd. Automatic VLP
ED1 = 2.4L 4 Cyl DOHC 16v SMPI Engine	DGQ = 5-Spd Automatic 5-45RFE
	Transmission
	DEH = 6-Speed Manual NSG370
	Transmission
	DDD = 5-Speed HD Manual
	Transmission
	DDK = 5-Speed HD Manual
	Transmission

AR = use ase required - = Non illustrated part

2006 KJ

**Exhaust System 3.7L [EK0]  
Figure 11-130**



ITEM	PART NUMBER	QTY	LINE	SERIES	BODY	ENGINE	TRANS	TRIM	DESCRIPTION
------	-------------	-----	------	--------	------	--------	-------	------	-------------

Note: Sales Codes [EK0]= All 3.7L 6 Cylinder Gas Engines

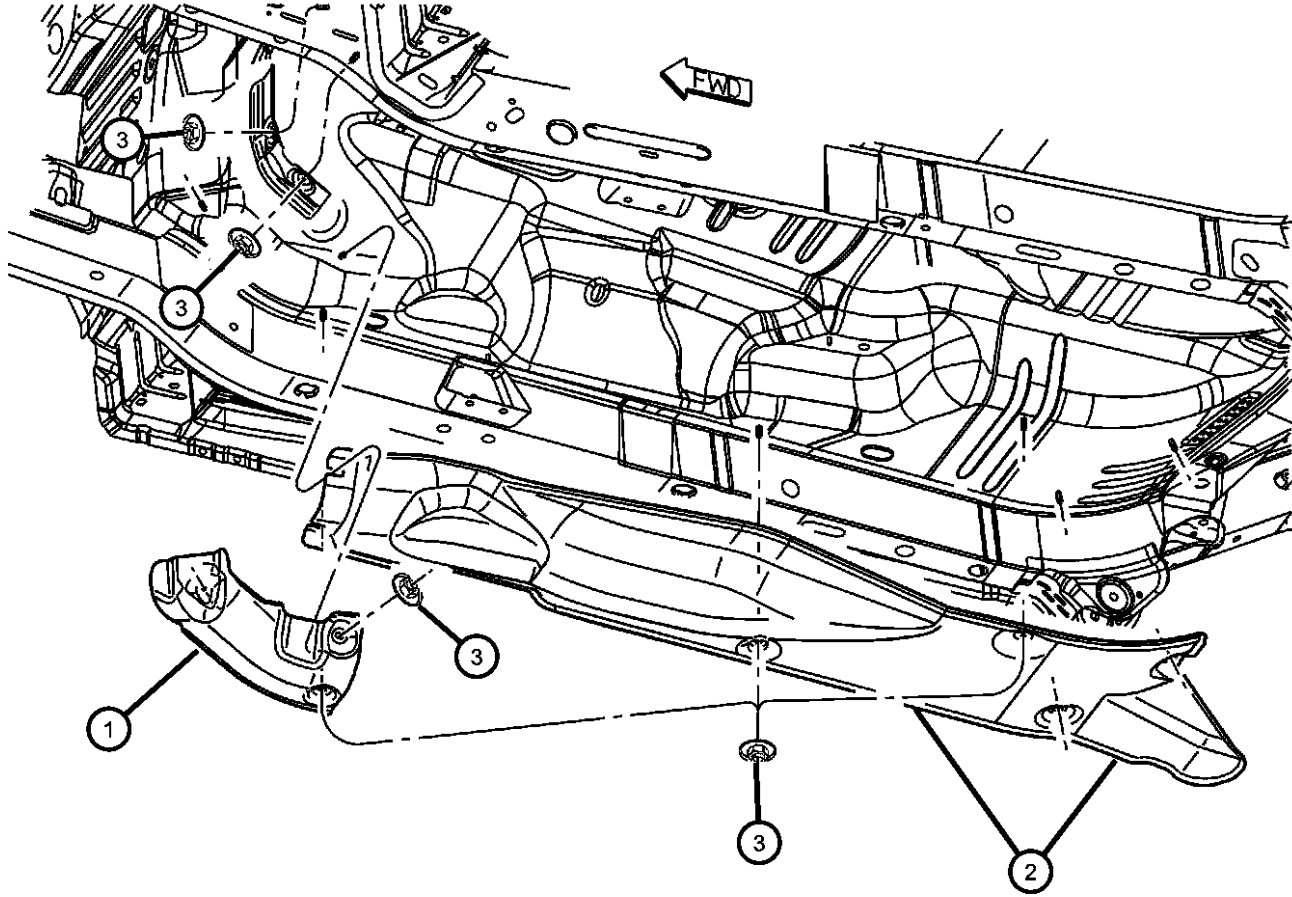
1	06508305AA	4				EK0			LOCK NUT, M10-1.50
2	52128668AB	1				EK0	DG0		HANGER, Exhaust
3	06104426AA	4				EK0			BOLT AND CONED WASHER, Hex Head, Frt Pipe to Manifold
4	06102252AA	4							NUT, Hex Flange Lock
5									PIPE AND CONVERTER, Exhaust, To Manifold
	52129078AD	1				EK0			FEDERAL EMISSIONS = EXPORT EMISSIONS CALIFORNIA EMISSIONS
	52129439AA	1				EK0			
6	52128905AA	1				EK0	DBB		HANGER, Exhaust
7	52101120AD	1							MUFFLER AND TAILPIPE, Exhaust
8	52128501AA	1							ISOLATOR
9	52101126AA	1							ISOLATOR, Exhaust

<b>LIBERTY (KJ)</b>				
SERIES	LINE	BODY	ENGINE	TRANSMISSION
H = HIGHLINE	T = JEEP - 2WD	74 = SPORT UTILITY 4-DR	EKG = 3.7L V6 Engine	DG6 = 4-Spd. Automatic 42RLE
M = MEDIUM	J = JEEP - 4WD		ENR = 2.8L 4 Cyl Turbo Diesel Engine	Transmission
P = PREMIUM	U = JEEP - 4WD (RHD)		ENJ = 2.5L 4 Cyl 16V Turbo Diesel Engine	DGV = 4-Spd. Automatic VLP
			ED1 = 2.4L 4 Cyl DOHC 16v SMPI Engine	Transmission
				DGQ = 5-Spd Automatic 5-45RFE
				Transmission
				DEH = 6-Speed Manual NSG370
				Transmission
				DDD = 5-Speed HD Manual
				Transmission
				DDK = 5-Speed HD Manual
				Transmission

AR = use ase required - = Non illustrated part

Heat Shields  
Figure 11-210

ITEM	PART NUMBER	QTY	LINE	SERIES	BODY	ENGINE	TRANS	TRIM	DESCRIPTION
1	55176791AA	1							SHIELD, Floor Pan
	55360560AC	1				EK0			
2	55176792AD	1							SHIELD, Floor Pan
3	55176792AD	1							NUT, Heat Shield Attach, M5x1.60, (NOT SERVICED)
-4	53013753AB	1				EN0			SHIELD, Exhaust Manifold



LIBERTY (KJ)

SERIES      LINE  
H = HIGHLINE    T = JEEP - 2WD  
M = MEDIUM     J = JEEP - 4WD  
P = PREMIUM    U = JEEP - 4WD (RHD)

BODY  
74 = SPORT UTILITY 4-DR

ENGINE      TRANSMISSION  
EKG = 3.7L V6 Engine      DG6 = 4-Spd. Automatic 42RLE  
ENR = 2.8L 4 Cyl Turbo Diesel      Transmission  
Engine      DGV = 4-Spd. Automatic VLP  
ENJ = 2.5L 4 Cyl 16V Turbo      Transmission  
Diesel Engine      DGQ = 5-Spd Automatic 5-45RFE  
ED1 = 2.4L 4 Cyl DOHC 16v      Transmission  
SMPI Engine      DEH = 6-Speed Manual NSG370  
Transmission  
DDD = 5-Speed HD Manual  
Transmission  
DDK = 5-Speed HD Manual  
Transmission

AR = use ase required - = Non illustrated part

2006 KJ

# Group - 13

## Frames and Bumpers

### Group - 13 Frames and Bumpers

Illustration Title

Group-Fig. No.

#### Frames

Frame Cradle ..... Fig. 13 - 110

#### Front Bumper and Fascia

Bumper, Front ..... Fig. 13 - 210

#### Rear Bumper and Fascia

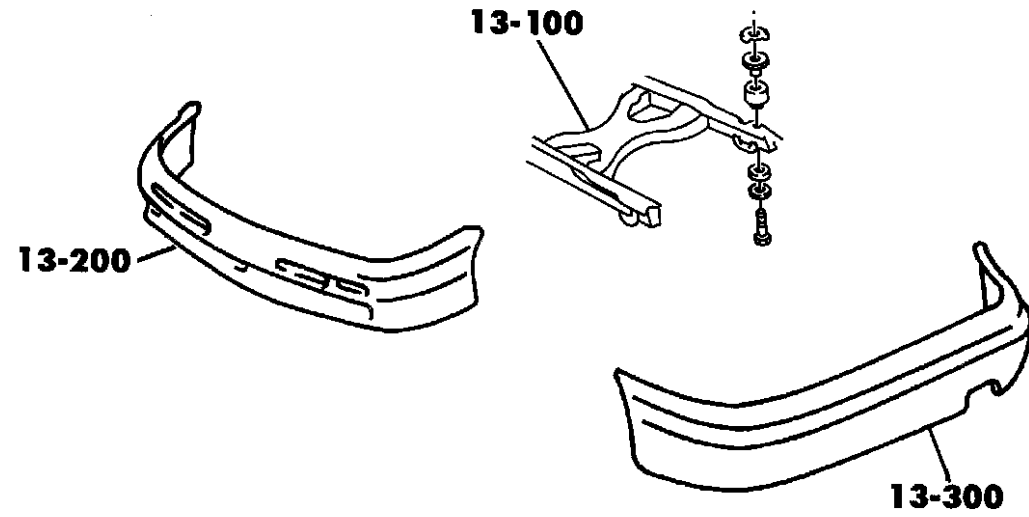
Bumper, Rear ..... Fig. 13 - 310

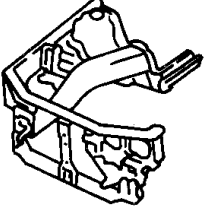
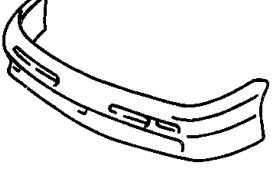

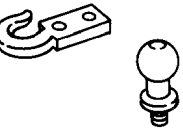
Rear License Plate Mounting - Export [TBR] ..... Fig. 13 - 320

#### Trailer Tow

Tow Hooks - Front ..... Fig. 13 - 610

Tow Hooks - Rear ..... Fig. 13 - 620



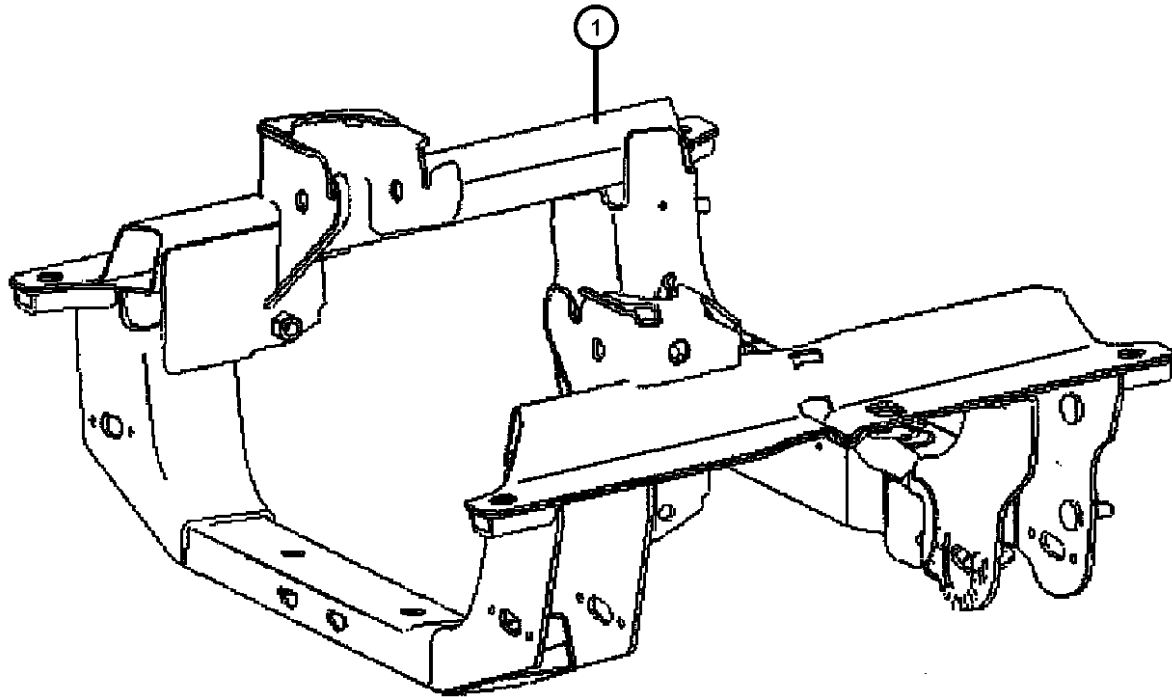
<p><b>013-100</b> Frames</p> 	<p><b>013-200</b> Front Bumper and Fascia</p> 	<p><b>013-300</b> Rear Bumper and Fascia</p> 	<p><b>013-600</b> Trailer Tow</p> 
--	---	---	---

**Frame Cradle**  
**Figure 13-110**

ITEM	PART NUMBER	QTY	LINE	SERIES	BODY	ENGINE	TRANS	TRIM	DESCRIPTION
------	-------------	-----	------	--------	------	--------	-------	------	-------------

Sales Codes:  
[EK0]= All 3.7L 6 Cylinder Gas Engines  
[EN0]= 2.8L Turbo Diesel Engine

1									CRADLE, Front Suspension
	52128994AE	1							[EK0]
	52129013AE	1	J, U						[EN0]
-2	06506672AA	2							SCREW AND WASHER, Hex, Front Cradle Attach
-3	06507135AA	2							SCREW, Rear Cradle Attach



**LIBERTY (KJ)**

SERIES      LINE  
H = HIGHLINE    T = JEEP - 2WD  
M = MEDIUM     J = JEEP - 4WD  
P = PREMIUM    U = JEEP - 4WD (RHD)

BODY  
74 = SPORT UTILITY 4-DR

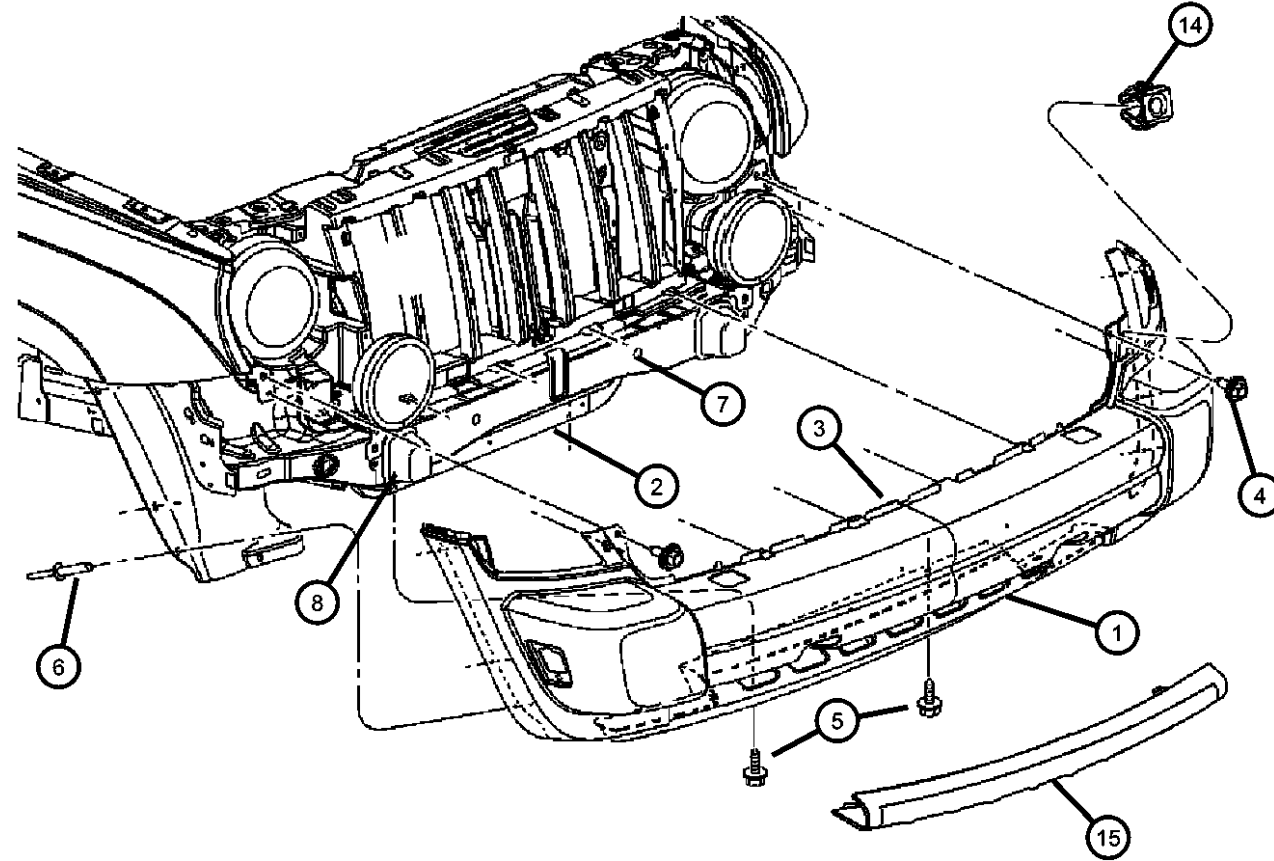
ENGINE      TRANSMISSION  
EKG = 3.7L V6 Engine      DG6 = 4-Spd. Automatic 42RLE  
ENR = 2.8L 4 Cyl Turbo Diesel      Transmission  
Engine      DGV = 4-Spd. Automatic VLP  
ENJ = 2.5L 4 Cyl 16V Turbo      Transmission  
Diesel Engine      DGQ = 5-Spd Automatic 5-45RFE  
ED1 = 2.4L 4 Cyl DOHC 16v      Transmission  
SMPI Engine      DEH = 6-Speed Manual NSG370  
Transmission  
DDD = 5-Speed HD Manual  
Transmission  
DDK = 5-Speed HD Manual  
Transmission

AR = use ase required - = Non illustrated part

2006 KJ



**Bumper, Front**  
**Figure 13-210**



ITEM	PART NUMBER	QTY	LINE	SERIES	BODY	ENGINE	TRANS	TRIM	DESCRIPTION
Sales Codes: [ABE]= Export [MCU]=Graphite Fascia [MLA]= Fascia - Body Color [MLM]= Mold in Color Fascia [MLS]= Fascia - Accent color [XEA]= Tow Hooks									
1									FASCIA, Front
	5JG89BDLAC	1							Medium Gray, Mold in Color [MLM], Without Tow Hooks [XEA]
	5JG89CD7AC	1							Dark Slate, for Paint Codes [B7,B8,GV,RH,S2,W1,X8] With Mold in Color [MLM], Without Tow Hooks [XEA]
	5JG89CJMAC	1							Medium Khaki, for Paint Codes [JC,JT], Mold in Color [MLM], Without Tow Hooks [XEA]
	5JG91CD7AD	1							With Accent Color Fascia [MLS] for Paint Codes [B8,GV,RH,S2,X8]
	5JG91CJMAD	1							With Accent Color Fascia [MLS] for Paint Codes [JC, JT]
	5JG93TZZAD	1							With Body Color Fascia [MLA] or Graphite Fascia [MCU], With Tow Hooks [XEA]
	5JJ07TZZAD	1							With Body Color Fascia [MLA] or Graphite Fascia [MCU], Without Tow Hooks [XEA]
	5JU74BDLAC	1							Medium Gray, Mold in Color [MLM], With Tow Hooks [XEA]
	5JU74CD7AC	1							Dark Slate, for Paint Codes [B7,B8,GV,RH,S2,W1,X8] With Mold in Color [MLM], With Tow Hooks [XEA]
	5JU74CJMAC	1							Medium Khaki, for Paint Codes [JC,JT], Mold in Color [MLM], With Tow Hooks [XEA]
	5KF18CD7AD	1							With Accent Color Fascia [MLS] for Paint Codes [B8,GV,RH,S2,X8], With Export Equipment Group [ABE]

**LIBERTY (KJ)**

SERIES	LINE
H = HIGHLINE	T = JEEP - 2WD
M = MEDIUM	J = JEEP - 4WD
P = PREMIUM	U = JEEP - 4WD (RHD)

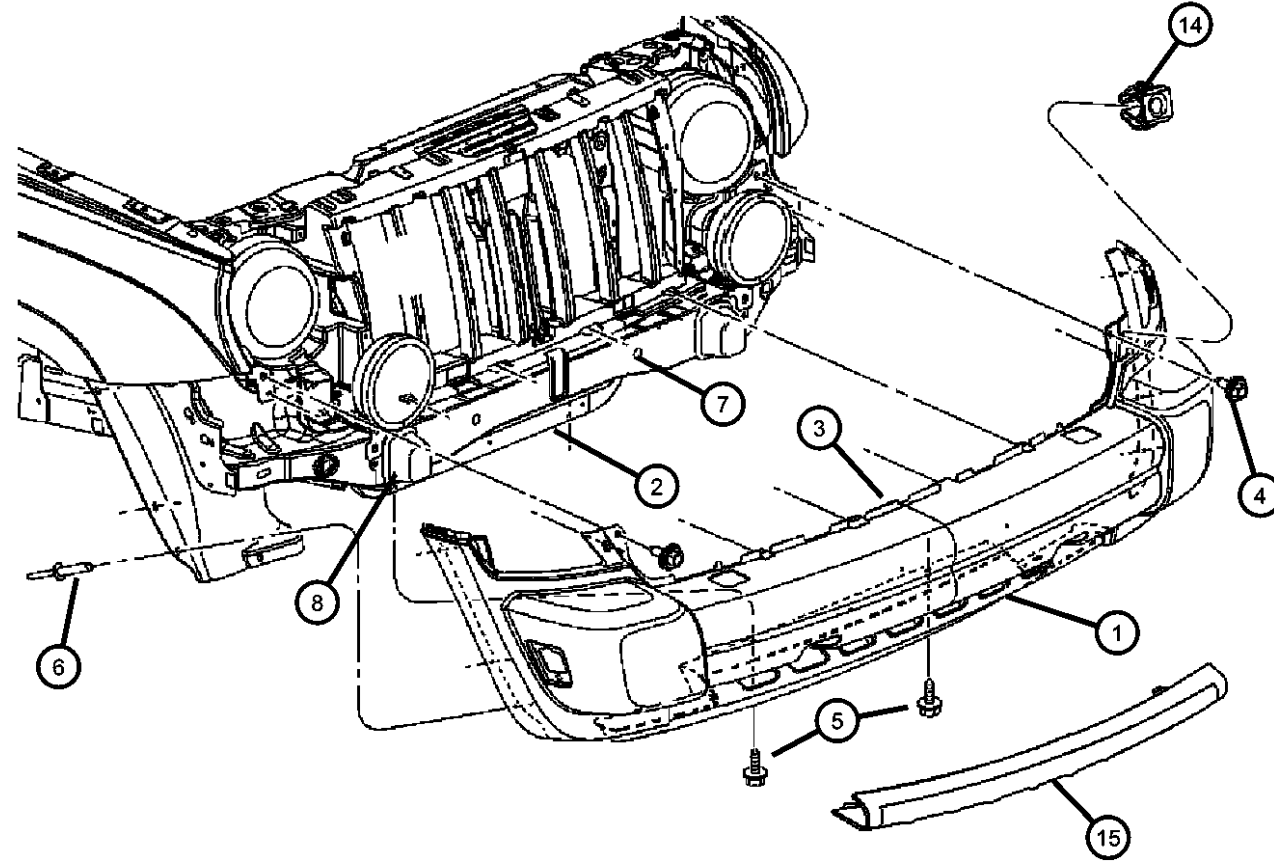
BODY
74 = SPORT UTILITY 4-DR

ENGINE
EKG = 3.7L V6 Engine
ENR = 2.8L 4 Cyl Turbo Diesel Engine
ENJ = 2.5L 4 Cyl 16V Turbo Diesel Engine
ED1 = 2.4L 4 Cyl DOHC 16v SMPI Engine

TRANSMISSION
DG6 = 4-Spd. Automatic 42RLE Transmission
DGV = 4-Spd. Automatic VLP Transmission
DGQ = 5-Spd Automatic 5-45RFE Transmission
DEH = 6-Speed Manual NSG370 Transmission
DDD = 5-Speed HD Manual Transmission
DDK = 5-Speed HD Manual Transmission

AR = use ase required - = Non illustrated part

**Bumper, Front**  
**Figure 13-210**



ITEM	PART NUMBER	QTY	LINE	SERIES	BODY	ENGINE	TRANS	TRIM	DESCRIPTION
	5KF18CJMAD	1							With Accent Color Fascia [MLS] for Paint Codes [JC, JT], With Export Equipment Group [ABE]
2	55157103AD	1							AIR DAM
3	55157098AD	1							ABSORBER, Front Energy
	55157098AF	1	J, T						With [MLS] Or [MLC]
	55156758AD	1							With [MLM]
	55156758AD	1							With [MLA]
4	55156758AD	1							SCREW AND WASHER, Hex Head, M6 x 1.00 x 26.5, (NOT SERVICED),
5	06505903AA	2							SCREW AND WASHER, Self Tapping, M6x1x22
6	06506007AA	8							RIVET
7	55360190AH	1							CROSSMEMBER, Front Support
8	55360410AA	2							SPACER, Jounce Bumper
-9	55156886AA	1	J, U						LICENSE PLATE KIT, Will Include Item 10 and 11
		1	J, T						Export [MDA] with [ABJ]
									With [MDA]
-10	06034866	5	J, T						SCREW
		5	J, U						[MDA]
									Export
-11	55156887AA	1	J, T						BRACKET, License Plate
		1	J, U						[MDA]
									Export [MDA] with [ABJ]
-12	05288487	1							BRACKET, License Plate
	55156890AA	1	J, U						[ABJ]
									Export [MDA] without [ABJ]
-13	06036001AA	4							RIVET, Blind, .190 X 1.070, [ABJ]
14	06508389AA	2							NUT, Snap In, Parking & Turn Signal Attach
15	5KG89WS2AC	1							TRIM PLATE, Fascia Front

**LIBERTY (KJ)**

SERIES	LINE
H = HIGHLINE	T = JEEP - 2WD
M = MEDIUM	J = JEEP - 4WD
P = PREMIUM	U = JEEP - 4WD (RHD)

BODY
74 = SPORT UTILITY 4-DR

ENGINE	TRANSMISSION
EKG = 3.7L V6 Engine	DG6 = 4-Spd. Automatic 42RLE
ENR = 2.8L 4 Cyl Turbo Diesel Engine	Transmission
ENJ = 2.5L 4 Cyl 16V Turbo Diesel Engine	DGV = 4-Spd. Automatic VLP
ED1 = 2.4L 4 Cyl DOHC 16v SMPI Engine	Transmission
	DGQ = 5-Spd Automatic 5-45RFE
	Transmission
	DEH = 6-Speed Manual NSG370
	Transmission
	DDD = 5-Speed HD Manual
	Transmission
	DDK = 5-Speed HD Manual
	Transmission

AR = use ase required - = Non illustrated part

2006 KJ

**Bumper, Rear**  
**Figure 13-310**

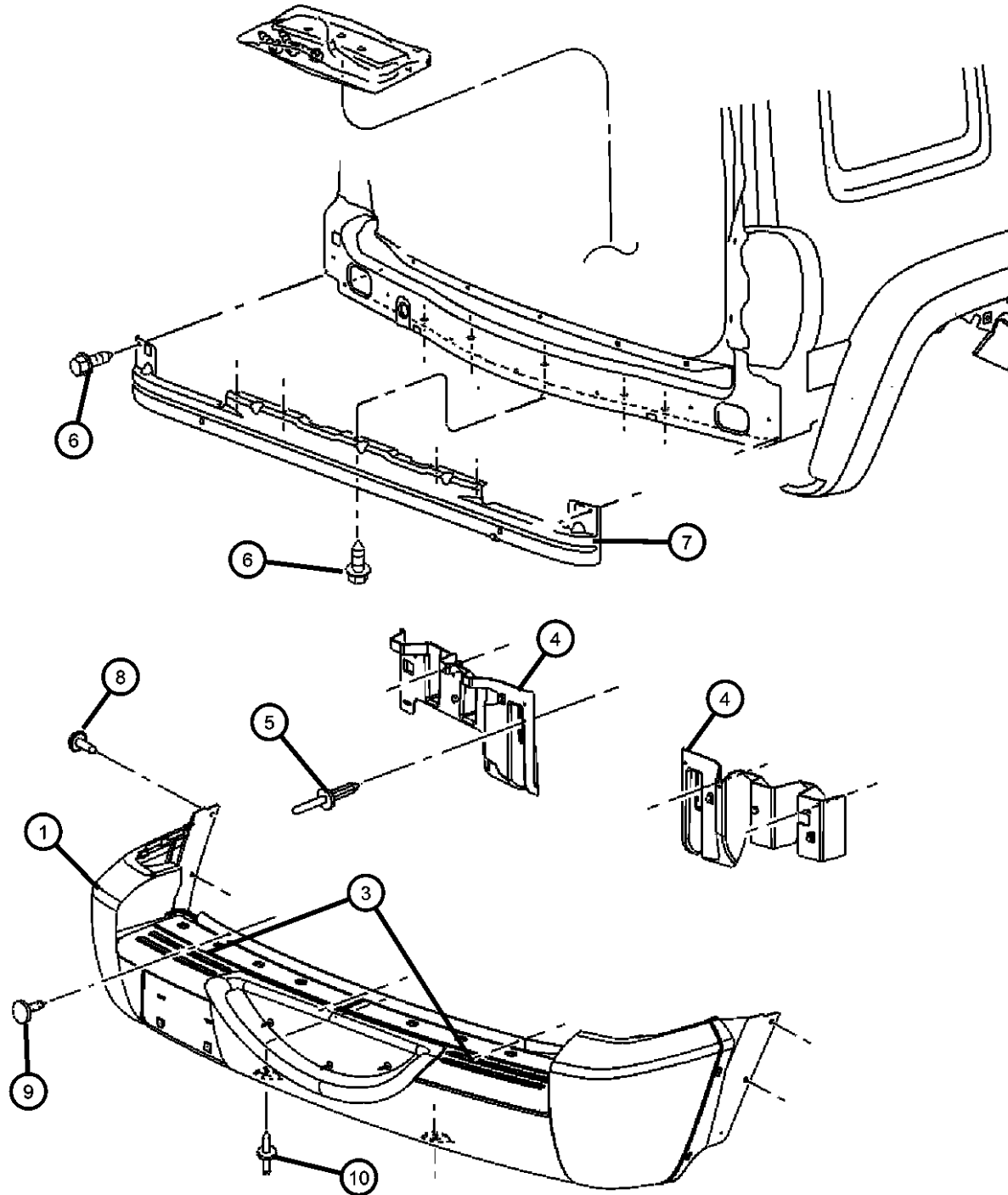
ITEM	PART NUMBER	QTY	LINE	SERIES	BODY	ENGINE	TRANS	TRIM	DESCRIPTION
------	-------------	-----	------	--------	------	--------	-------	------	-------------

Sales Codes

[ABE] = Export Equipment Group

[MLA] = Fascias - Body Color

[MLC] = Fascias - Silverstone



1	05066317AF	1							FASCIA, Rear
		1	J, T, U		74				[MLA], Without [ABE]
	05066328AD	1							[MCU], Without [ABE]
	5GE72BDLAD	1							[MLA] With [ABE]
	5GE72CD7AD	1							[MLC] With [ABE]
	5GJ58BDLAE	1							[MLS] With [ABE] For Paint Codes [X8,S2,GV,B8]
	5GE72CJ-MAD	1							[MLC] Without [ABE]
	5GJ58CD7AE	1							[MLS] With [ABE] For Paint Codes [JT,JC]
		1							[MLS] Without [ABE] For Paint Codes [X8,S2,B8,GV]
	5GJ58CJMAE	1	J, T, U		74				[MLM], For Paint Codes [BJ, B8, GJ, GV, RH, S2, W1, X8]
		1							[MLS], For Paint Codes [JT,JC]
		1	J, T, U						[MLM], For Paint Codes [JT,JC]
-2	04399791	2							REFLECTOR, Fascia, [ABE]
3									STEP PAD, Rear Bumper
	55155996AC	1							Right
	55155997AC	1							Left
4									SUPPORT, Rear Fascia
	55360678AA	1							Right
	55360679AA	1							Left
5	55360679AA	1							RIVET, Blind Bulb, [.25x.795], (NOT SERVICED)
6	06505900AA	7	J, U						SCREW, Tapping Hex Flange Head, M6.3 x 1.81 x 19.00
7	55155820AA	1	J, U						CROSSMEMBER, Bumper, Rear
8	06505905AA	4							SCREW, Hex Head, M6x1x20

LIBERTY (KJ)

SERIES

H = HIGHLINE  
M = MEDIUM  
P = PREMIUM

LINE

T = JEEP - 2WD  
J = JEEP - 4WD  
U = JEEP - 4WD (RHD)

BODY

74 = SPORT UTILITY 4-DR

ENGINE

EKG = 3.7L V6 Engine  
ENR = 2.8L 4 Cyl Turbo Diesel Engine  
ENJ = 2.5L 4 Cyl 16V Turbo Diesel Engine  
ED1 = 2.4L 4 Cyl DOHC 16v SMPI Engine

TRANSMISSION

DG6 = 4-Spd. Automatic 42RLE Transmission  
DGV = 4-Spd. Automatic VLP Transmission  
DGQ = 5-Spd Automatic 5-45RFE Transmission  
DEH = 6-Speed Manual NSG370 Transmission  
DDD = 5-Speed HD Manual Transmission  
DDK = 5-Speed HD Manual Transmission

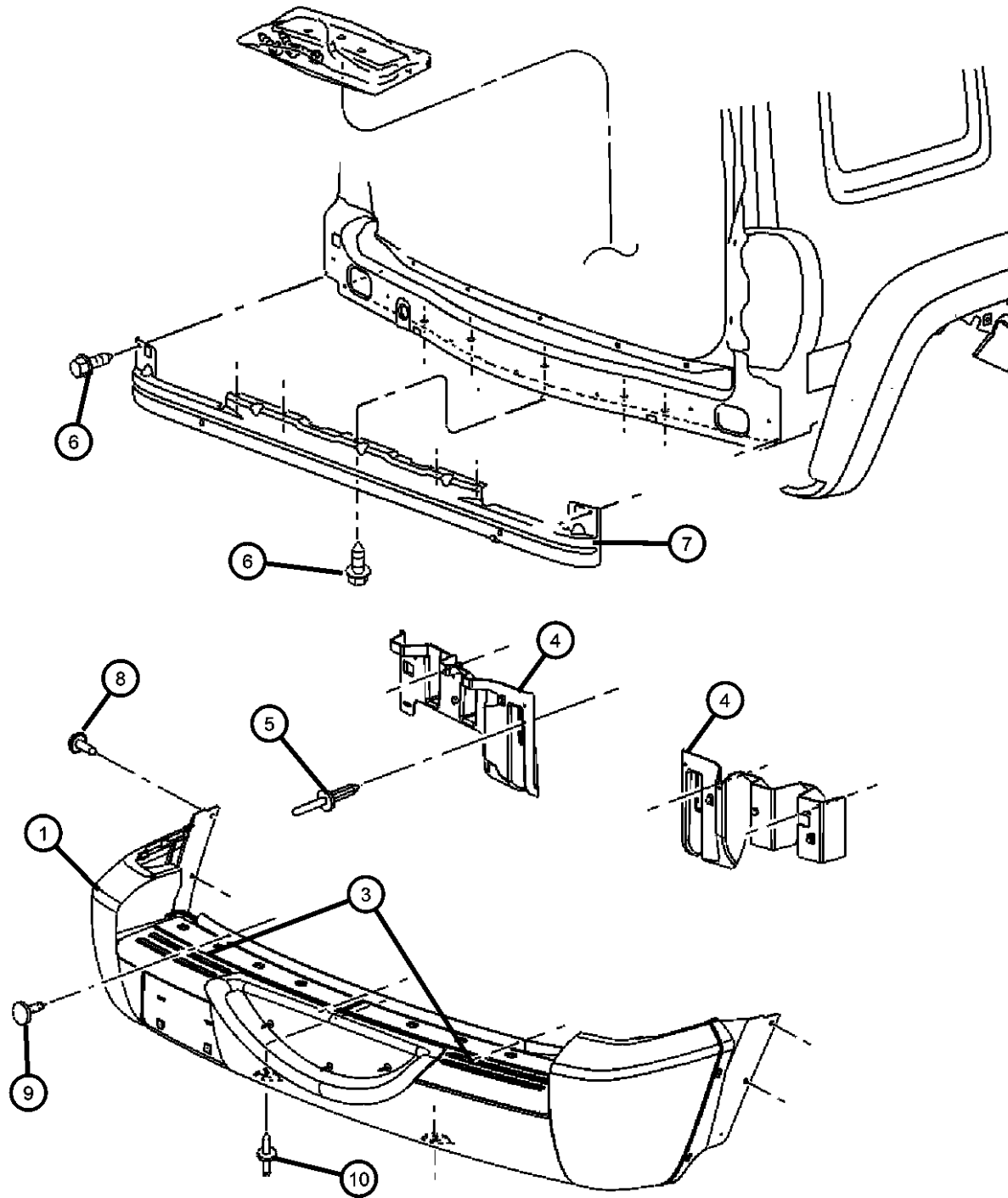
AR = use ase required - = Non illustrated part

2006 KJ

**Bumper, Rear**  
**Figure 13-310**

ITEM	PART NUMBER	QTY	LINE	SERIES	BODY	ENGINE	TRANS	TRIM	DESCRIPTION
------	-------------	-----	------	--------	------	--------	-------	------	-------------

9	06504442	3							SCREW TAPPING & WASHER, Hex head, M4.2x1.70x13.45 RIVET
10	06506007AA	2							



**LIBERTY (KJ)**

SERIES	LINE
H = HIGHLINE	T = JEEP - 2WD
M = MEDIUM	J = JEEP - 4WD
P = PREMIUM	U = JEEP - 4WD (RHD)

BODY
74 = SPORT UTILITY 4-DR

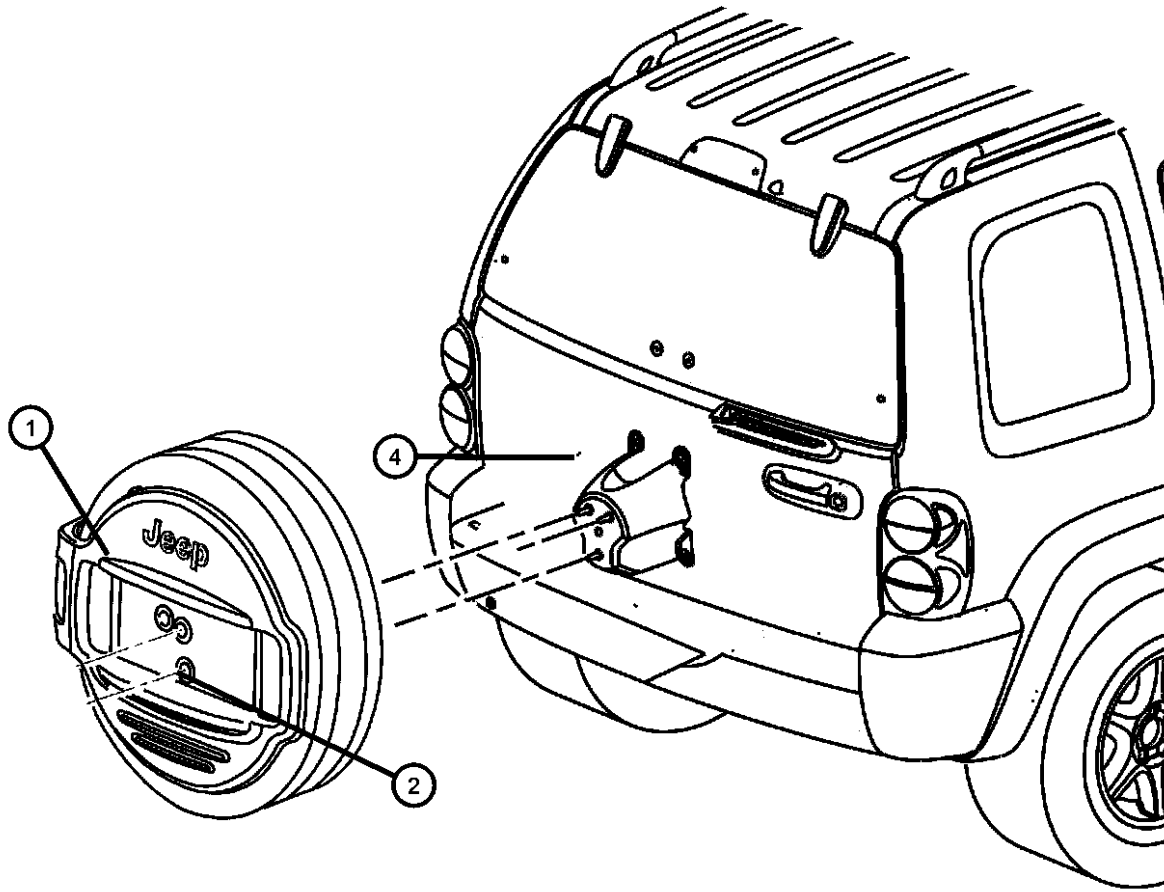
ENGINE	TRANSMISSION
EKG = 3.7L V6 Engine	DG6 = 4-Spd. Automatic 42RLE
ENR = 2.8L 4 Cyl Turbo Diesel Engine	Transmission
ENJ = 2.5L 4 Cyl 16V Turbo Diesel Engine	DGV = 4-Spd. Automatic VLP
ED1 = 2.4L 4 Cyl DOHC 16v SMPI Engine	Transmission
	DGQ = 5-Spd Automatic 5-45RFE
	Transmission
	DEH = 6-Speed Manual NSG370
	Transmission
	DDD = 5-Speed HD Manual
	Transmission
	DDK = 5-Speed HD Manual
	Transmission

AR = use ase required - = Non illustrated part

2006 KJ

Rear License Plate Mounting - Export [TBR]  
Figure 13-320

ITEM	PART NUMBER	QTY	LINE	SERIES	BODY	ENGINE	TRANS	TRIM	DESCRIPTION
1	5HF06RXFAK	1	J, U	H, P					BRACKET, License Plate
		1	J, U	M					
2	06506429AA	2	J, U						SCREW, M8x1.25x21
-3	06036303AA	2	J, U						NUT, .50-20, Used Between the Tire and the Bracket
4	06035201	1	J, U						RIVET



LIBERTY (KJ)

SERIES LINE  
H = HIGHLINE T = JEEP - 2WD  
M = MEDIUM J = JEEP - 4WD  
P = PREMIUM U = JEEP - 4WD (RHD)

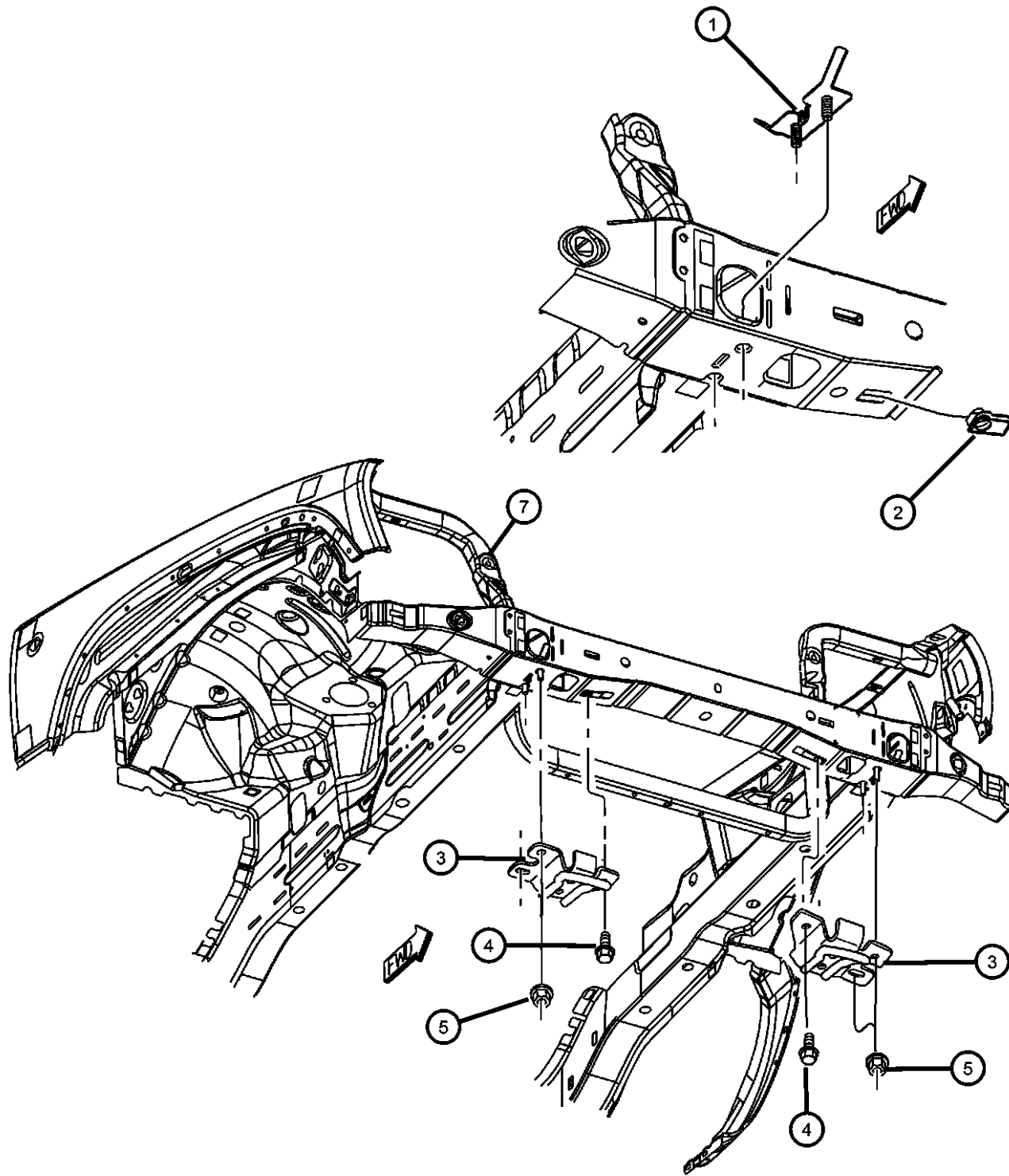
BODY  
74 = SPORT UTILITY 4-DR

ENGINE TRANSMISSION  
EKG = 3.7L V6 Engine DG6 = 4-Spd. Automatic 42RLE  
ENR = 2.8L 4 Cyl Turbo Diesel Transmission  
ENJ = 2.5L 4 Cyl 16V Turbo DGV = 4-Spd. Automatic VLP  
Diesel Engine Transmission  
ED1 = 2.4L 4 Cyl DOHC 16v DGQ = 5-Spd Automatic 5-45RFE  
SMPI Engine Transmission  
DEH = 6-Speed Manual NSG370  
Transmission  
DDD = 5-Speed HD Manual  
Transmission  
DDK = 5-Speed HD Manual  
Transmission

AR = use ase required - = Non illustrated part

2006 KJ

Tow Hooks - Front  
Figure 13-610



ITEM	PART NUMBER	QTY	LINE	SERIES	BODY	ENGINE	TRANS	TRIM	DESCRIPTION
1	52059352AB	2							STUD PLATE
2	06504818AA	1							NUT, M10x1.50
3	52059353AA	1							EYE, Tow
4	06503699	8							SCREW AND WASHER, Hex Head, M10x1.5x28
5	06504818AA	1							NUT, M10x1.50
-6									HOOK, Tow
	52059236AB	1							Right
	52059237AB	1							Left
7	55176756AE	1							SUPPORT, Radiator

LIBERTY (KJ)

SERIES      LINE  
H = HIGHLINE    T = JEEP - 2WD  
M = MEDIUM     J = JEEP - 4WD  
P = PREMIUM    U = JEEP - 4WD (RHD)

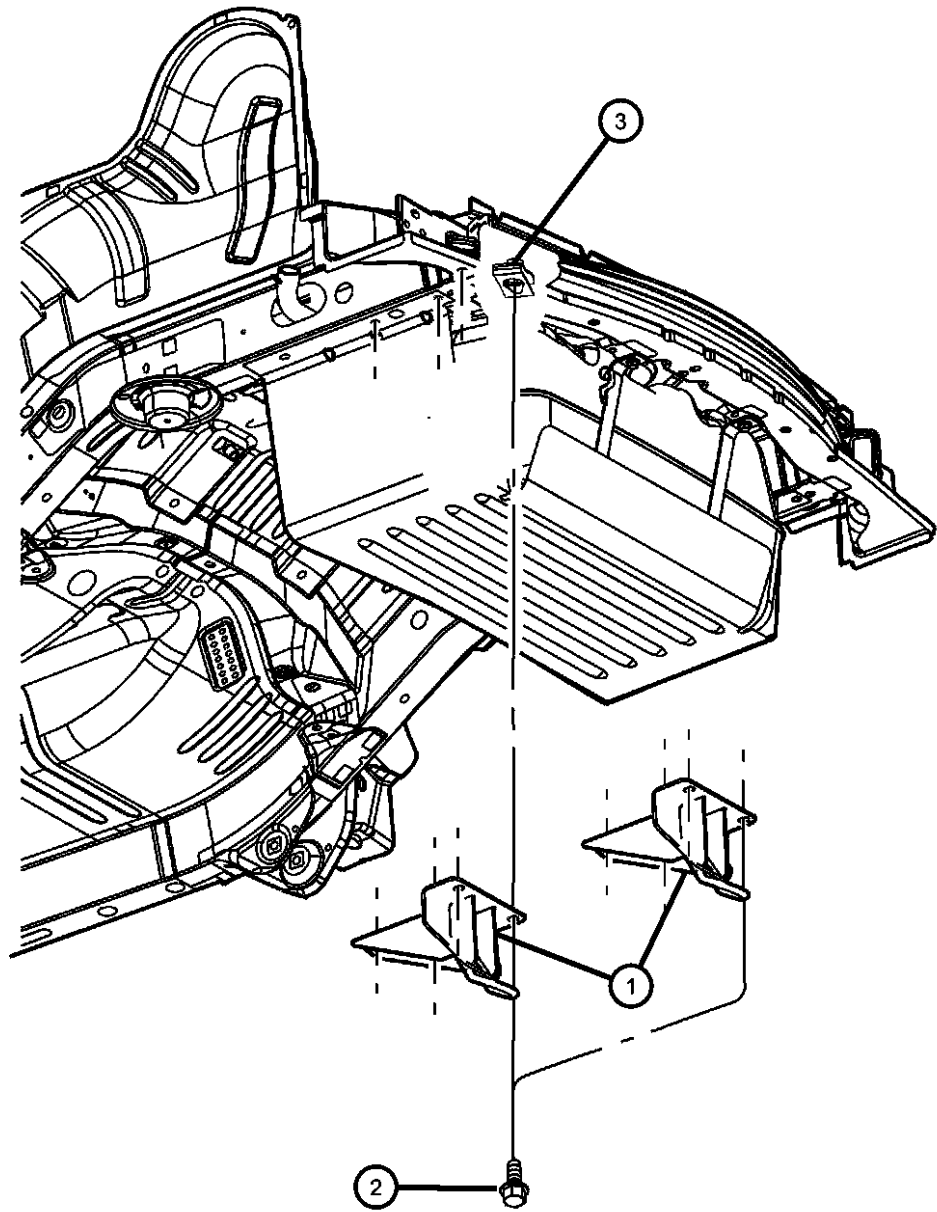
BODY  
74 = SPORT UTILITY 4-DR

ENGINE      TRANSMISSION  
EKG = 3.7L V6 Engine      DG6 = 4-Spd. Automatic 42RLE  
ENR = 2.8L 4 Cyl Turbo Diesel Engine      DGV = 4-Spd. Automatic VLP  
ENJ = 2.5L 4 Cyl 16V Turbo Diesel Engine      DGQ = 5-Spd Automatic 5-45RFE  
ED1 = 2.4L 4 Cyl DOHC 16v SMPI Engine      DEH = 6-Speed Manual NSG370  
Transmission  
DDD = 5-Speed HD Manual Transmission  
DDK = 5-Speed HD Manual Transmission

AR = use ase required - = Non illustrated part

Tow Hooks - Rear  
Figure 13-620

ITEM	PART NUMBER	QTY	LINE	SERIES	BODY	ENGINE	TRANS	TRIM	DESCRIPTION
1	52059233AB	1							HOOK, Tow
	52059360AA	1							Hook
	52059360AA	1							Eye
2	06502557	6							BOLT, Hex Flange Head, M12x1.75x40
3	06504565	1							NUT, U Multi Thread
-4	52059224AC	1							HITCH, Trailer



LIBERTY (KJ)

SERIES	LINE
H = HIGHLINE	T = JEEP - 2WD
M = MEDIUM	J = JEEP - 4WD
P = PREMIUM	U = JEEP - 4WD (RHD)

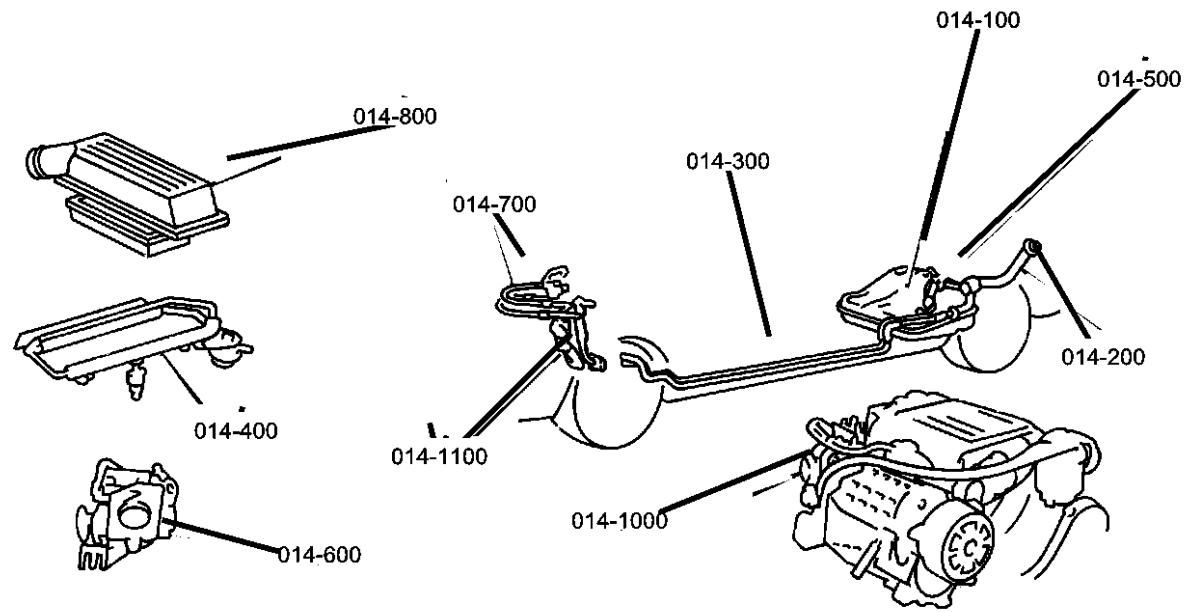
BODY
74 = SPORT UTILITY 4-DR

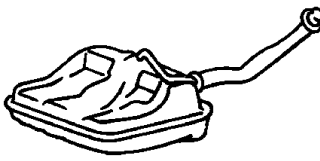
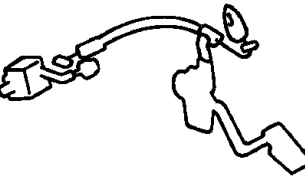

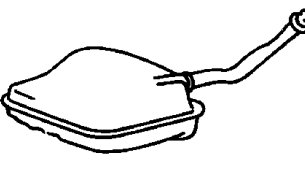

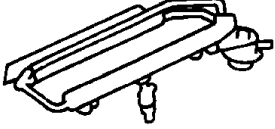
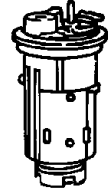

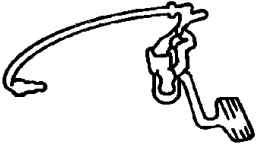
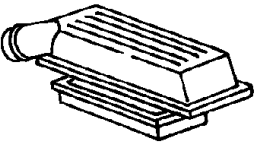
ENGINE	TRANSMISSION
EKG = 3.7L V6 Engine	DG6 = 4-Spd. Automatic 42RLE
ENR = 2.8L 4 Cyl Turbo Diesel Engine	Transmission
ENJ = 2.5L 4 Cyl 16V Turbo Diesel Engine	DGV = 4-Spd. Automatic VLP
ED1 = 2.4L 4 Cyl DOHC 16v SMPI Engine	Transmission
	DGQ = 5-Spd Automatic 5-45RFE
	Transmission
	DEH = 6-Speed Manual NSG370
	Transmission
	DDD = 5-Speed HD Manual
	Transmission
	DDK = 5-Speed HD Manual
	Transmission

AR = use ase required - = Non illustrated part

# Group - 14

## Fuel



<b>014-100</b> Tank, Fuel 	<b>014-1000</b> Speed Control 	<b>014-1100</b> Accelerator Pedal 	<b>014-200</b> Fuel Tank Filler Tube 
<b>014-300</b> Fuel Lines 	<b>014-400</b> Fuel Rail 	<b>014-500</b> Fuel Pump and Sending Unit 	<b>014-600</b> Throttle Body 
<b>014-700</b> Throttle Controls 	<b>014-800</b> Air Cleaner 		



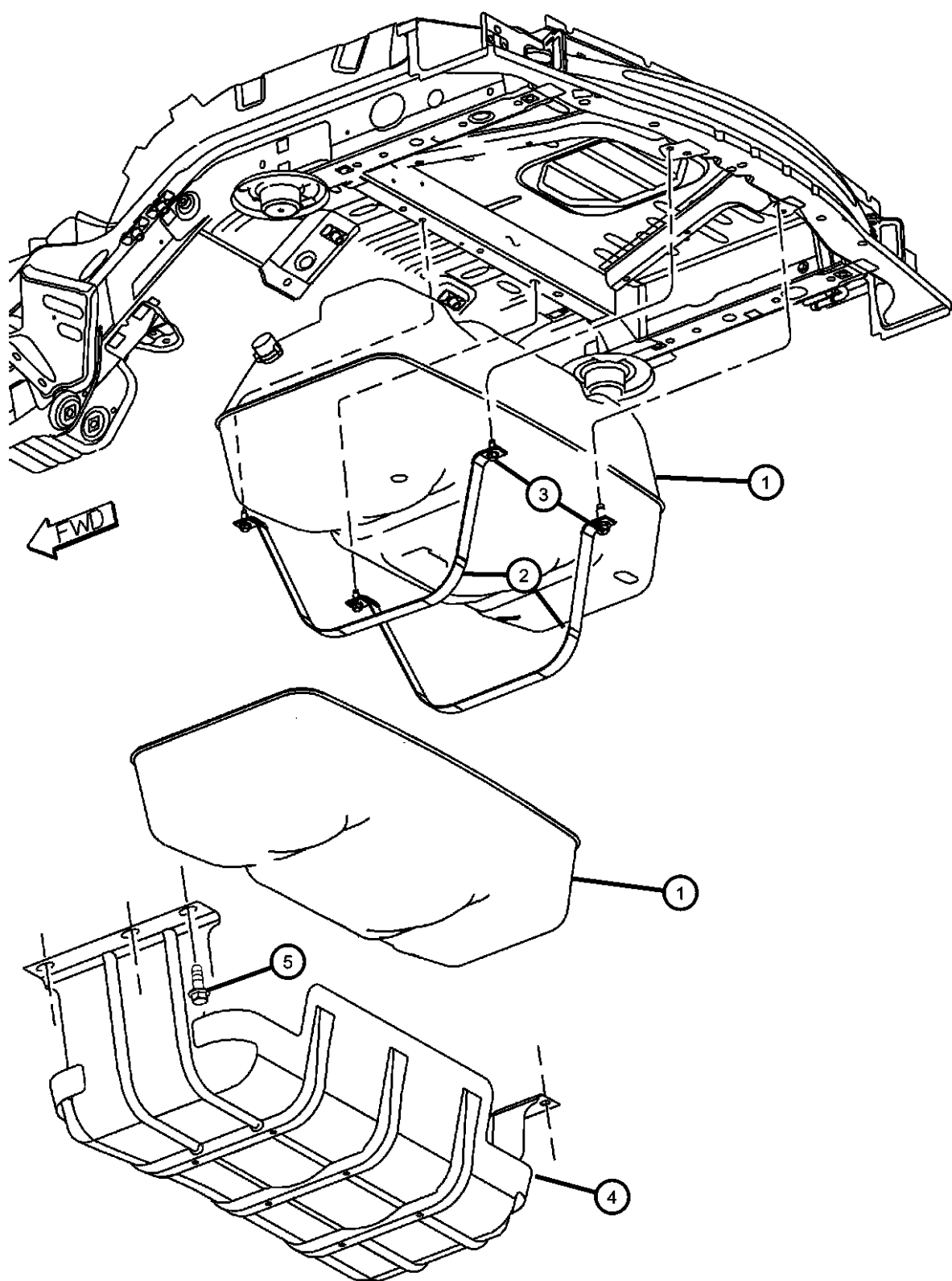
---

## Group - 14 Fuel

Illustration Title	Group-Fig. No.
<b>Tank, Fuel</b>	
Tank, Fuel, All Engines .....	Fig. 14 - 110
<b>Fuel Tank Filler Tube</b>	
Fuel Tank Filler Tube, All Engines .....	Fig. 14 - 210
<b>Fuel Lines</b>	
Fuel Lines Front 3.7L [EK0] .....	Fig. 14 - 320
Fuel Lines Rear 3.7L [EK0] .....	Fig. 14 - 325
Fuel Lines Chassis 2.8L [EN0] .....	Fig. 14 - 330
Fuel Filter And Water Separator 2.8L [EN0] .....	Fig. 14 - 340
<b>Fuel Rail</b>	
Fuel Rail 3.7L [EK0] .....	Fig. 14 - 415
Fuel Injection System 2.8L [EN0] .....	Fig. 14 - 420
Fuel Injection Pump 2.8L [EN0] .....	Fig. 14 - 430
Fuel Injection Pump Mounting .....	Fig. 14 - 435
<b>Fuel Pump and Sending Unit</b>	
Fuel Pump and Sending Unit, 3.7L [EK0] 2.8L [EN0] .....	Fig. 14 - 510
<b>Throttle Body</b>	
Throttle Body, 3.7, [EK0] .....	Fig. 14 - 610
Turbocharger 2.8L [EN0] .....	Fig. 14 - 620
Electric turbo Modulator .....	Fig. 14 - 630
<b>Throttle Controls</b>	
Throttle Control 2.8L [EN0] .....	Fig. 14 - 710
Throttle Controls, 3.7L [EK0] .....	Fig. 14 - 720
<b>Air Cleaner</b>	
Air Cleaner, 3.7L [EK0] .....	Fig. 14 - 820
Air Cleaner, 2.8L [EN0] .....	Fig. 14 - 830
<b>Speed Control</b>	
Speed Control .....	Fig. 14 - 1010
<b>Accelerator Pedal</b>	
Accelerator Pedal .....	Fig. 14 - 1110

Tank, Fuel, All Engines

Figure 14-110



ITEM	PART NUMBER	QTY	LINE	SERIES	BODY	ENGINE	TRANS	TRIM	DESCRIPTION
1									TANK, Fuel - Plastic
	52128911AG	1				ED0, EK0			
	52128922AF	1				EN0			
2	52100334AG	2							STRAP, Fuel Tank
3	06503183	4							SCREW, Hex Head, M10x1.5x30
4	52100332AH	1							PLATE, Skid, [XEE]
5	06502557	1		H, P	74				BOLT, Hex Flange Head, M12x1.75x40
-6	52129238AA	1				EN0			FILTER, Fuel
-7	06505775AA	2				EN0			CLAMP, Hose

Note; Sales Codes  
 [EK0]= All 3.7L 6 Cylinder Gas Engines  
 [ENR]= All 2.8L 4 Cylinder Turbo Diesel Engine  
 [XEE]=Skid Plate Shield, Fuel Tank

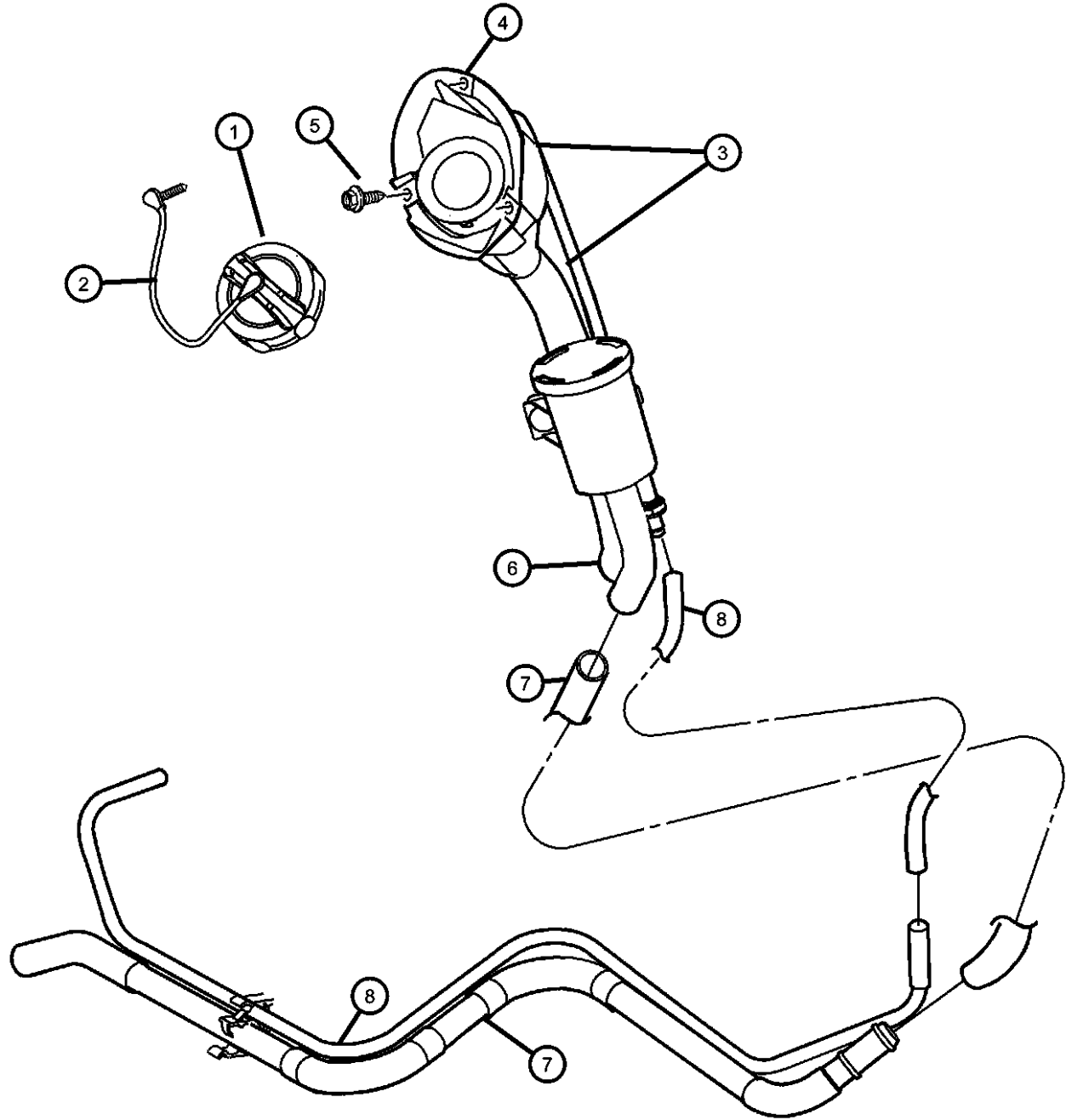
<b>LIBERTY (KJ)</b>				
SERIES	LINE	BODY	ENGINE	TRANSMISSION
H = HIGHLINE	T = JEEP - 2WD	74 = SPORT UTILITY 4-DR	EKG = 3.7L V6 Engine	DG6 = 4-Spd. Automatic 42RLE
M = MEDIUM	J = JEEP - 4WD		ENR = 2.8L 4 Cyl Turbo Diesel Engine	Transmission
P = PREMIUM	U = JEEP - 4WD (RHD)		ENJ = 2.5L 4 Cyl 16V Turbo Diesel Engine	DGV = 4-Spd. Automatic VLP
			ED1 = 2.4L 4 Cyl DOHC 16v SMPI Engine	Transmission
				DGQ = 5-Spd Automatic 5-45RFE
				Transmission
				DEH = 6-Speed Manual NSG370
				Transmission
				DDD = 5-Speed HD Manual
				Transmission
				DDK = 5-Speed HD Manual
				Transmission

AR = use ase required - = Non illustrated part

Fuel Tank Filler Tube, All Engines  
Figure 14-210

ITEM	PART NUMBER	QTY	LINE	SERIES	BODY	ENGINE	TRANS	TRIM	DESCRIPTION
------	-------------	-----	------	--------	------	--------	-------	------	-------------

Note; Sales Codes  
[EK0]= All 3.7L 6 Cylinder Gas Engines  
[EN0]= All 2.5L Turbo Diesels



1									CAP, Fuel Filler
	52102464AC	1				ED0, EK0			
	52129371AA	1				EN0			
2	04682676	1							TETHER, Fuel Filler Cap
3									TUBE, Fuel Filler
	52129235AB	1				EN0			
	52129234AB	1				ED0, EK0			
4	55360619AC	1							SLEEVE, Fuel Filler
5	06035204	3							SCREW, Tapping, .19-16x.75
6									HOSE, Fuel Filler
	52129236AB	1				ED0, EK0			
		1				EN0			
7		1							TUBE, Fuel, Serviced With Fuel Flow Valve, (NOT SERVICED)
8	52128631AC	1				ED0, EK0			TUBE, Vapor
-9	52128645AA	1	J, T, U		74	EK0			TUBE, Clean Air

LIBERTY (KJ)

SERIES LINE  
H = HIGHLINE T = JEEP - 2WD  
M = MEDIUM J = JEEP - 4WD  
P = PREMIUM U = JEEP - 4WD (RHD)

BODY  
74 = SPORT UTILITY 4-DR

ENGINE  
EKG = 3.7L V6 Engine  
ENR = 2.8L 4 Cyl Turbo Diesel Engine  
ENJ = 2.5L 4 Cyl 16V Turbo Diesel Engine  
ED1 = 2.4L 4 Cyl DOHC 16v SMPI Engine

TRANSMISSION  
DG6 = 4-Spd. Automatic 42RLE Transmission  
DGV = 4-Spd. Automatic VLP Transmission  
DGQ = 5-Spd Automatic 5-45RFE Transmission  
DEH = 6-Speed Manual NSG370 Transmission  
DDD = 5-Speed HD Manual Transmission  
DDK = 5-Speed HD Manual Transmission

AR = use ase required - = Non illustrated part

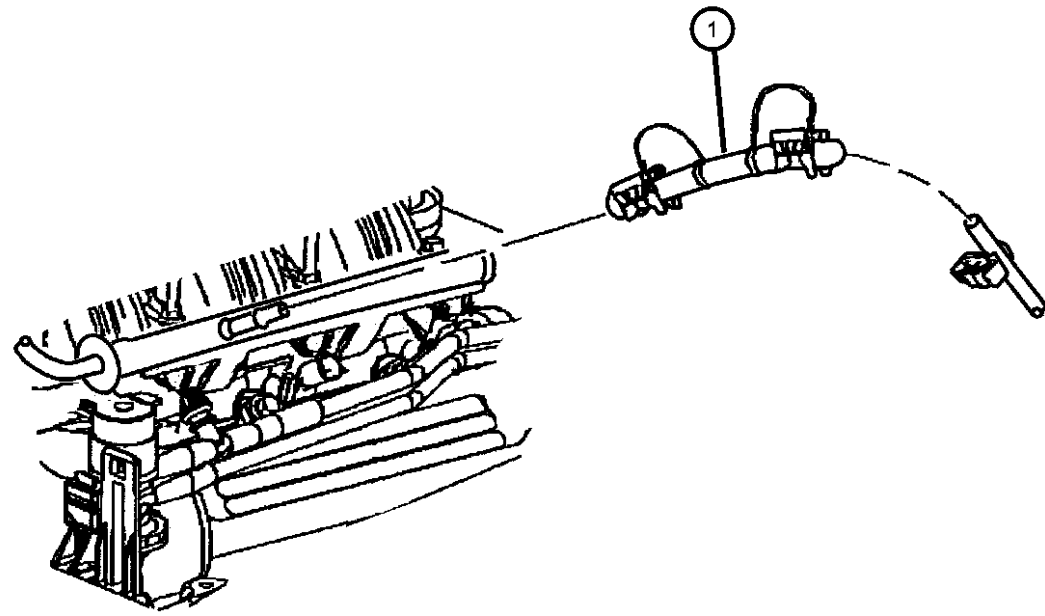
2006 KJ

Fuel Lines Front 3.7L EK0]  
Figure 14-320

ITEM	PART NUMBER	QTY	LINE	SERIES	BODY	ENGINE	TRANS	TRIM	DESCRIPTION
------	-------------	-----	------	--------	------	--------	-------	------	-------------

Note; Sales Codes  
[EK0]= All 3.7L 6 Cylinder Gas Engines

1	52100320AC	1				EK0			BUNDLE, Fuel Line
---	------------	---	--	--	--	-----	--	--	-------------------



LIBERTY (KJ)

SERIES	LINE
H = HIGHLINE	T = JEEP - 2WD
M = MEDIUM	J = JEEP - 4WD
P = PREMIUM	U = JEEP - 4WD (RHD)

BODY
74 = SPORT UTILITY 4-DR

ENGINE	TRANSMISSION
EKG = 3.7L V6 Engine	DG6 = 4-Spd. Automatic 42RLE
ENR = 2.8L 4 Cyl Turbo Diesel Engine	DGV = 4-Spd. Automatic VLP
ENJ = 2.5L 4 Cyl 16V Turbo Diesel Engine	DGQ = 5-Spd Automatic 5-45RFE
ED1 = 2.4L 4 Cyl DOHC 16v SMPI Engine	DEH = 6-Speed Manual NSG370
	DDD = 5-Speed HD Manual
	DDK = 5-Speed HD Manual

AR = use ase required - = Non illustrated part

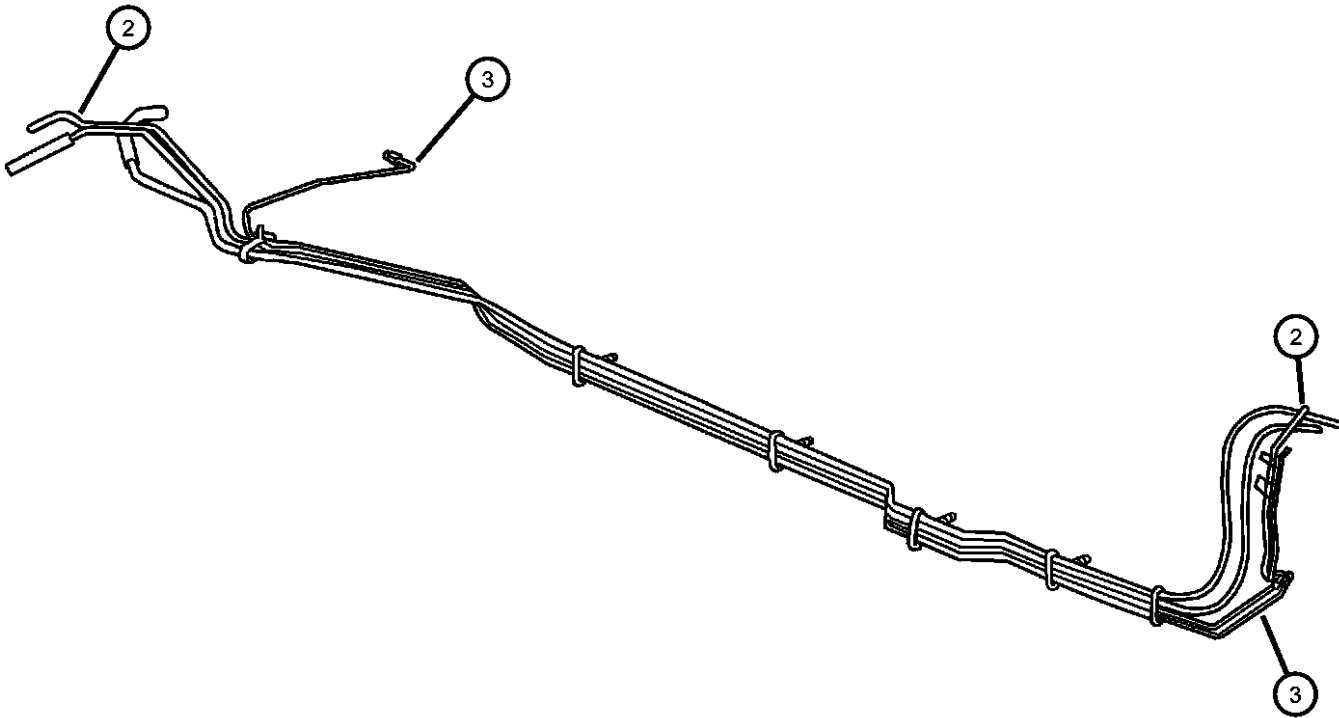
2006 KJ

Fuel Lines Rear 3.7L [EK0]  
Figure 14-325

ITEM	PART NUMBER	QTY	LINE	SERIES	BODY	ENGINE	TRANS	TRIM	DESCRIPTION
------	-------------	-----	------	--------	------	--------	-------	------	-------------

Note; Sales Codes =[EK0]= All 3.7L 6 Cylinder Gas Engines

-1	52129255AB	1				EK0			BUNDLE, Fuel and Brake Tube
2	52128976AC	1				EK0			TUBE, Fuel Supply from Pump
3	52128976AC	1							TUBE, Brake, See Brake Group, (NOT SERVICED)



LIBERTY (KJ)

SERIES	LINE
H = HIGHLINE	T = JEEP - 2WD
M = MEDIUM	J = JEEP - 4WD
P = PREMIUM	U = JEEP - 4WD (RHD)

BODY
74 = SPORT UTILITY 4-DR

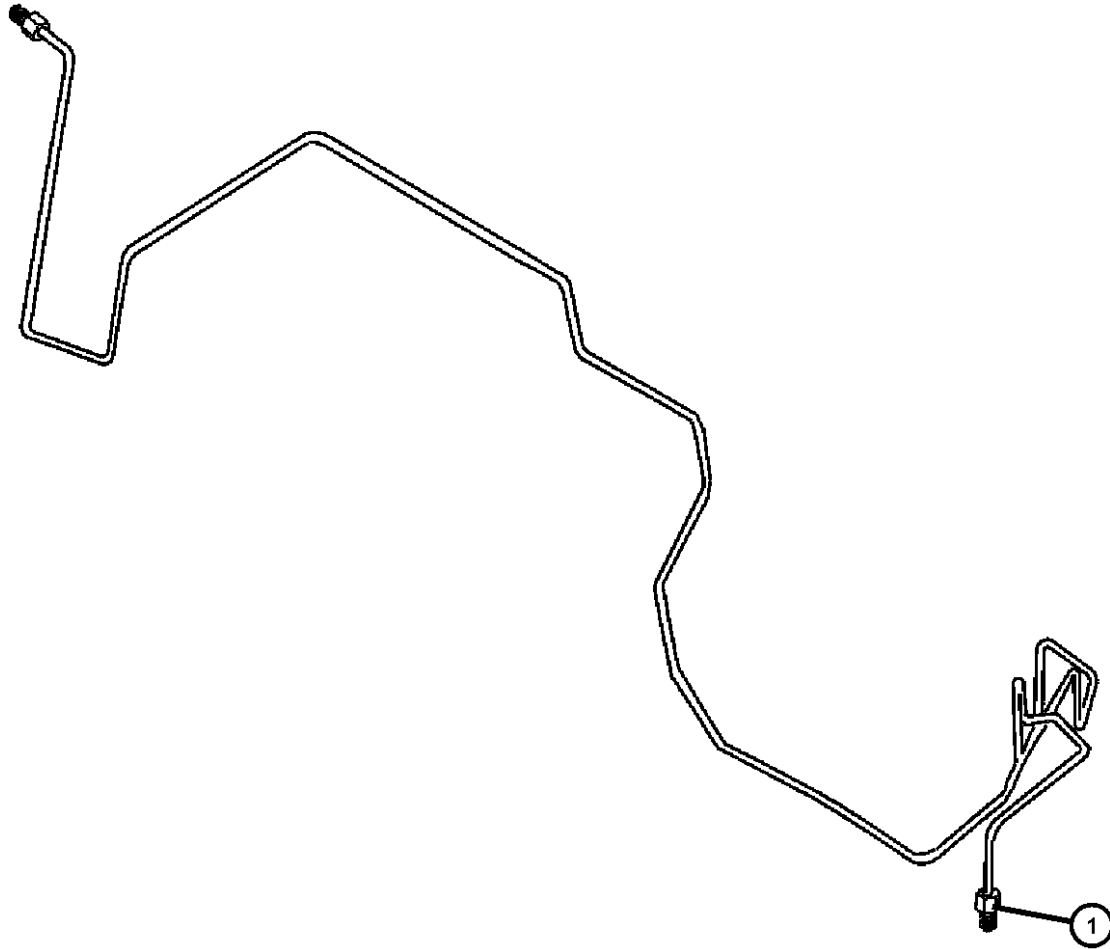
ENGINE	TRANSMISSION
EKG = 3.7L V6 Engine	DG6 = 4-Spd. Automatic 42RLE
ENR = 2.8L 4 Cyl Turbo Diesel Engine	Transmission
ENJ = 2.5L 4 Cyl 16V Turbo Diesel Engine	DGV = 4-Spd. Automatic VLP
ED1 = 2.4L 4 Cyl DOHC 16v SMPI Engine	Transmission
	DGQ = 5-Spd Automatic 5-45RFE
	Transmission
	DEH = 6-Speed Manual NSG370
	Transmission
	DDD = 5-Speed HD Manual
	Transmission
	DDK = 5-Speed HD Manual
	Transmission

AR = use ase required - = Non illustrated part

2006 KJ

Fuel Lines Chassis 2.8L [EN0]  
Figure 14-330

ITEM	PART NUMBER	QTY	LINE	SERIES	BODY	ENGINE	TRANS	TRIM	DESCRIPTION
Note; Sales Codes [EN0]= All 4/5 Cylinder Turbo Diesels									
1	52129326AB	1				EN0			BUNDLE, Fuel and Brake Tube
-2	52128960AD	1				EN0			TUBE, Fuel Supply from Pump, To Chassis Bundle
-3	52128961AD	1				EN0			TUBE, Fuel Return, Tank to Chassis Bundle
-4									CLIP, 4 Way, Fuel Bundle
	05103501AA	3				EN0			4-Way w/ Xmas Clip
	05103503AA	1				EN0			
-5	05179788AA	1				EN0			CLIP, 3 Way, Fuel Bundle
-6	05179789AA	5				EN0			CLIP, 2 Way, Fuel Bundle
-7	05179790AA	2				EN0			GROMMET



LIBERTY (KJ)

SERIES      LINE  
H = HIGHLINE    T = JEEP - 2WD  
M = MEDIUM     J = JEEP - 4WD  
P = PREMIUM    U = JEEP - 4WD (RHD)

BODY  
74 = SPORT UTILITY 4-DR

ENGINE      TRANSMISSION  
EKG = 3.7L V6 Engine      DG6 = 4-Spd. Automatic 42RLE  
ENR = 2.8L 4 Cyl Turbo Diesel      Transmission  
Engine      DGV = 4-Spd. Automatic VLP  
ENJ = 2.5L 4 Cyl 16V Turbo      Transmission  
Diesel Engine      DGQ = 5-Spd Automatic 5-45RFE  
ED1 = 2.4L 4 Cyl DOHC 16v      Transmission  
SMPI Engine      DEH = 6-Speed Manual NSG370  
Transmission  
DDD = 5-Speed HD Manual  
Transmission  
DDK = 5-Speed HD Manual  
Transmission

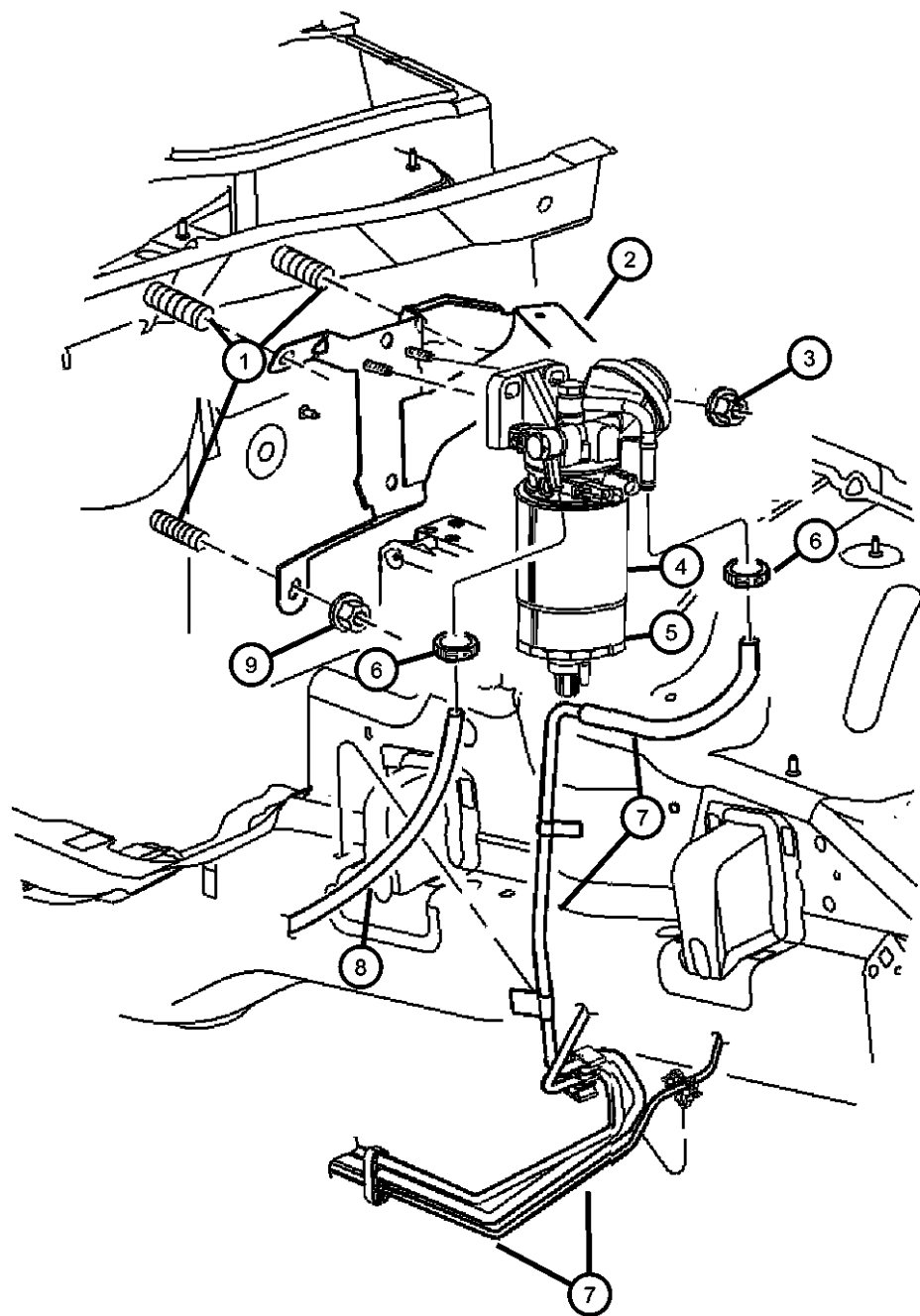
AR = use ase required - = Non illustrated part

2006 KJ

Fuel Filter And Water Separator 2.8L EN0]

Figure 14-340

ITEM	PART NUMBER	QTY	LINE	SERIES	BODY	ENGINE	TRANS	TRIM	DESCRIPTION
Note; Sales Codes [EN0]= All 4/5 Cylinder Turbo Diesels									
1	05179790AA	2							STUD, (NOT SERVICED)
2	52128947AB	1				EN0			BRACKET, Fuel Filter
3	06502756	2				EN0			NUT, Hex Lock, M8x1.25
4	52129237AA	1				EN0			FILTER, Fuel/Water Separator
5	52129238AA	1				EN0			FILTER, Fuel
6	06505775AA	2				EN0			CLAMP, Hose
7	06505775AA	2							BUNDLE, Fuel Line, Service with Fuel Bundle, (NOT SERVICED)
8	52129229AC	1				EN0			HOSE, Fuel
9	52129229AC	1							NUT, (NOT SERVICED)



LIBERTY (KJ)

SERIES	LINE
H = HIGHLINE	T = JEEP - 2WD
M = MEDIUM	J = JEEP - 4WD
P = PREMIUM	U = JEEP - 4WD (RHD)

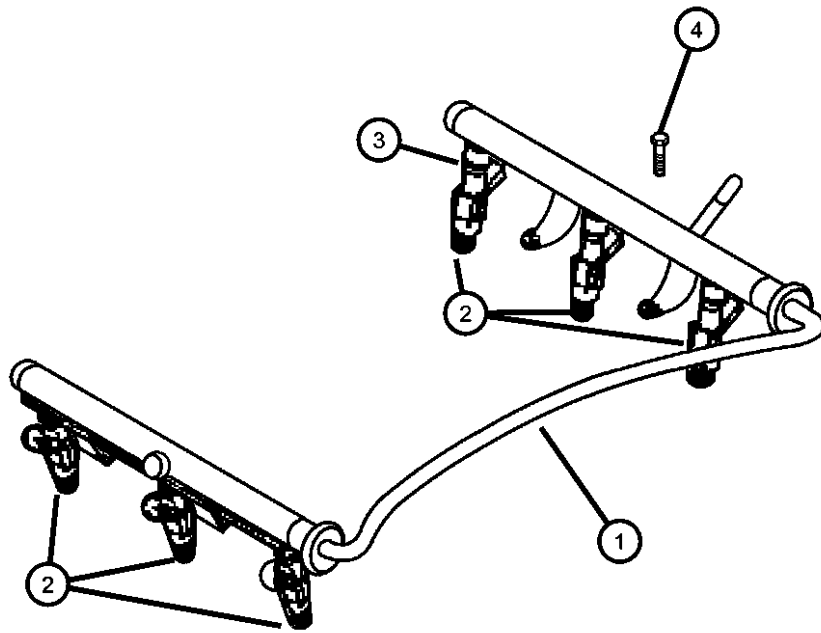
BODY
74 = SPORT UTILITY 4-DR

ENGINE	TRANSMISSION
EKG = 3.7L V6 Engine	DG6 = 4-Spd. Automatic 42RLE
ENR = 2.8L 4 Cyl Turbo Diesel Engine	Transmission
ENJ = 2.5L 4 Cyl 16V Turbo Diesel Engine	DGV = 4-Spd. Automatic VLP
ED1 = 2.4L 4 Cyl DOHC 16v SMPI Engine	Transmission
	DGQ = 5-Spd Automatic 5-45RFE
	Transmission
	DEH = 6-Speed Manual NSG370
	Transmission
	DDD = 5-Speed HD Manual
	Transmission
	DDK = 5-Speed HD Manual
	Transmission

AR = use ase required - = Non illustrated part

Fuel Rail 3.7L EKG]  
Figure 14-415

ITEM	PART NUMBER	QTY	LINE	SERIES	BODY	ENGINE	TRANS	TRIM	DESCRIPTION
Note; Sales Codes [EK0]= All 3.7L 6 Cylinder Gas Engines									
1	53031102AB	1				EK0			RAIL, Fuel
2	53032701AA 68000881AA	6				EK0			INJECTOR, Fuel Wholesale Bulk Injector Package - 70 pieces of 53032701AA
3	04418257AB	6				EK0			CLIP, Fuel Injector
4	06505504AA	4				EK0			SCREW



LIBERTY (KJ)

SERIES      LINE  
H = HIGHLINE    T = JEEP - 2WD  
M = MEDIUM     J = JEEP - 4WD  
P = PREMIUM     U = JEEP - 4WD (RHD)

BODY  
74 = SPORT UTILITY 4-DR

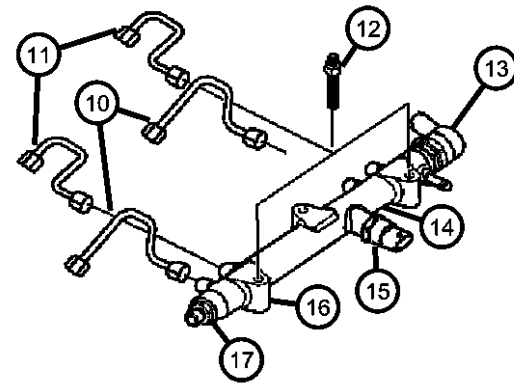
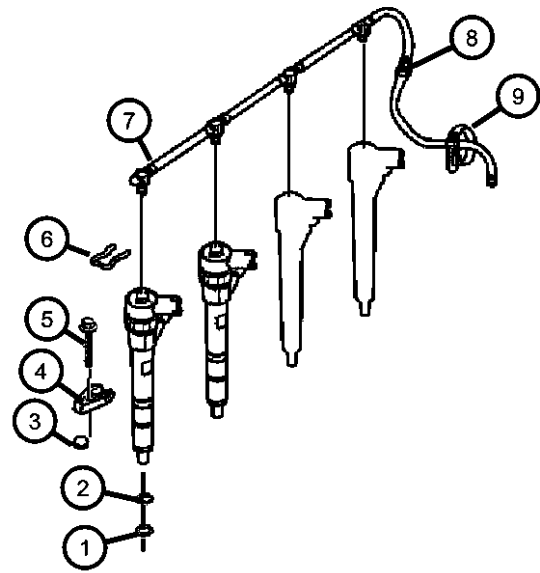
ENGINE      TRANSMISSION  
EKG = 3.7L V6 Engine      DG6 = 4-Spd. Automatic 42RLE  
ENR = 2.8L 4 Cyl Turbo Diesel Engine      DGV = 4-Spd. Automatic VLP  
ENJ = 2.5L 4 Cyl 16V Turbo Diesel Engine      DGQ = 5-Spd Automatic 5-45RFE  
ED1 = 2.4L 4 Cyl DOHC 16v SMPI Engine      DEH = 6-Speed Manual NSG370  
Transmission  
DDD = 5-Speed HD Manual Transmission  
DDK = 5-Speed HD Manual Transmission

AR = use ase required - = Non illustrated part

2006 KJ



Fuel Injection System 2.8L [EN0]  
Figure 14-420



ITEM	PART NUMBER	QTY	LINE	SERIES	BODY	ENGINE	TRANS	TRIM	DESCRIPTION
1	05069135AB	4				EN0	DG0		O RING
		4				EN0	DBB		
2	05072722AA	4				EN0	DG0		O RING, Fuel Injector
		4				EN0	DBB		
3	05093922AA	4				EN0	DG0		PLATE
		4				EN0	DBB		
4	05142793AA	4				EN0	DG0		CLAMP
		4				EN0	DBB		
5	05066962AA	1				EN0	DBB		SCREW
		1				EN0	DG0		
6	05083712AA	4				EN0	DG0		CLIP, Fuel Injector
		4				EN0	DBB		
7	05093923AA	1				EN0	DG0		PIPE, Fuel Spill Return
		1				EN0	DBB		
8	05159962AA	1				EN0	DG0		VALVE
		1				EN0	DBB		
9	04728184	1				EN0	DG0		CLIP, Spill Return Pipe
		1				EN0	DBB		
10	05142768AA	1				EN0	DG0		PIPE, Fuel
		1				EN0	DBB		

LIBERTY (KJ)

SERIES      LINE  
H = HIGHLINE    T = JEEP - 2WD  
M = MEDIUM      J = JEEP - 4WD  
P = PREMIUM      U = JEEP - 4WD (RHD)

BODY  
74 = SPORT UTILITY 4-DR

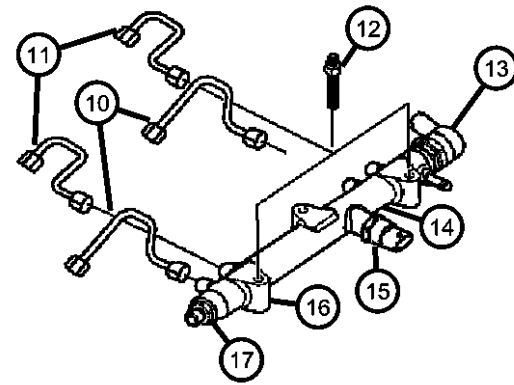
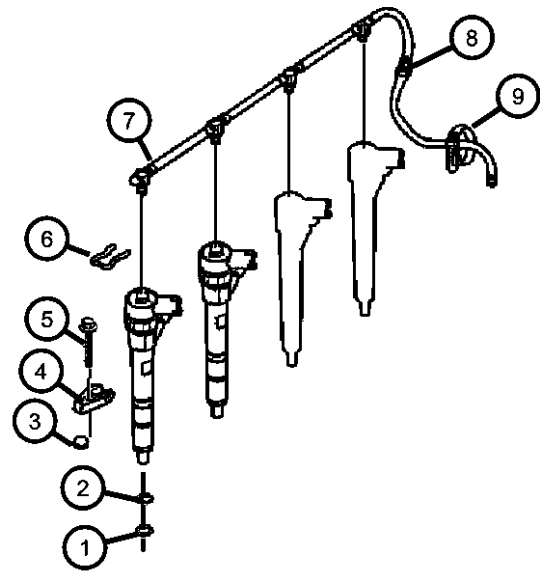
ENGINE  
EKG = 3.7L V6 Engine  
ENR = 2.8L 4 Cyl Turbo Diesel Engine  
ENJ = 2.5L 4 Cyl 16V Turbo Diesel Engine  
ED1 = 2.4L 4 Cyl DOHC 16v SMPI Engine

TRANSMISSION  
DG6 = 4-Spd. Automatic 42RLE Transmission  
DGV = 4-Spd. Automatic VLP Transmission  
DGQ = 5-Spd Automatic 5-45RFE Transmission  
DEH = 6-Speed Manual NSG370 Transmission  
DDD = 5-Speed HD Manual Transmission  
DDK = 5-Speed HD Manual Transmission

AR = use ase required - = Non illustrated part

2006 KJ

**Fuel Injection System 2.8L [EN0]  
Figure 14-420**



ITEM	PART NUMBER	QTY	LINE	SERIES	BODY	ENGINE	TRANS	TRIM	DESCRIPTION
11	05142605AA	2				EN0	DG0		PIPE, Fuel
		2				EN0	DBB		
12	05066913AA	1				EN0	DG0		STUD
		1				EN0	DBB		
13	05159964AA	1	J, T, U		74	EN0	DBB		SOLENOID, Fuel Pressure
		1				EN0	DG0		
14	68000898AA	1	J, T, U		74	EN0	DBB		RAIL, Fuel
		1				EN0	DG0		
15	05159963AA	1				EN0	DG0		SENSOR, Fuel Pressure
		1				EN0	DBB		
16	05093915AA	1				EN0	DG0		SPRING, Oil Pressure Relief Valve
		16				EN0	DBB		
17	05066887AA	1				EN0	DG0		O RING
		1				EN0	DBB		
-18	05142811AA	4				EN0	DBB		INJECTOR, Fuel
	05159970AA	4				EN0	DG0		

**LIBERTY (KJ)**

SERIES      LINE  
H = HIGHLINE    T = JEEP - 2WD  
M = MEDIUM     J = JEEP - 4WD  
P = PREMIUM    U = JEEP - 4WD (RHD)

BODY  
74 = SPORT UTILITY 4-DR

ENGINE  
EKG = 3.7L V6 Engine  
ENR = 2.8L 4 Cyl Turbo Diesel Engine  
ENJ = 2.5L 4 Cyl 16V Turbo Diesel Engine  
ED1 = 2.4L 4 Cyl DOHC 16v SMPI Engine

TRANSMISSION  
DG6 = 4-Spd. Automatic 42RLE  
Transmission  
DGV = 4-Spd. Automatic VLP  
Transmission  
DGQ = 5-Spd Automatic 5-45RFE  
Transmission  
DEH = 6-Speed Manual NSG370  
Transmission  
DDD = 5-Speed HD Manual  
Transmission  
DDK = 5-Speed HD Manual  
Transmission

AR = use ase required    - = Non illustrated part

Fuel Injection Pump 2.8L [EN0]  
Figure 14-430

ITEM	PART NUMBER	QTY	LINE	SERIES	BODY	ENGINE	TRANS	TRIM	DESCRIPTION
1									NUT
	05066817AA	1				EN0	DG0		
		1				EN0	DBB		
2									GEAR, Injection Pump
	05066903AA	1				EN0	DG0		
		1				EN0	DBB		
3									STUD, Injection Pump
	05066908AA	3				EN0	DG0		
		3				EN0	DBB		
4									VALVE
	05159962AA	1				EN0	DG0		
		1				EN0	DBB		
5									NUT
	04778961	7				EN0	DG0		
		7				EN0	DBB		
6									BOLT, Banjo
	04720367	2				EN0	DG0		
		2				EN0	DBB		
7									WASHER, Plain
	04720703	4				EN0	DG0		
		4				EN0	DBB		
8									PIPE
	05142987AA	1				EN0	DG0		
		1				EN0	DBB		
9									PIPE, Fuel
	05142814AA	1				EN0	DBB		
		1				EN0	DG0		
10									WASHER, Plain

LIBERTY (KJ)

SERIES      LINE  
H = HIGHLINE    T = JEEP - 2WD  
M = MEDIUM      J = JEEP - 4WD  
P = PREMIUM      U = JEEP - 4WD (RHD)

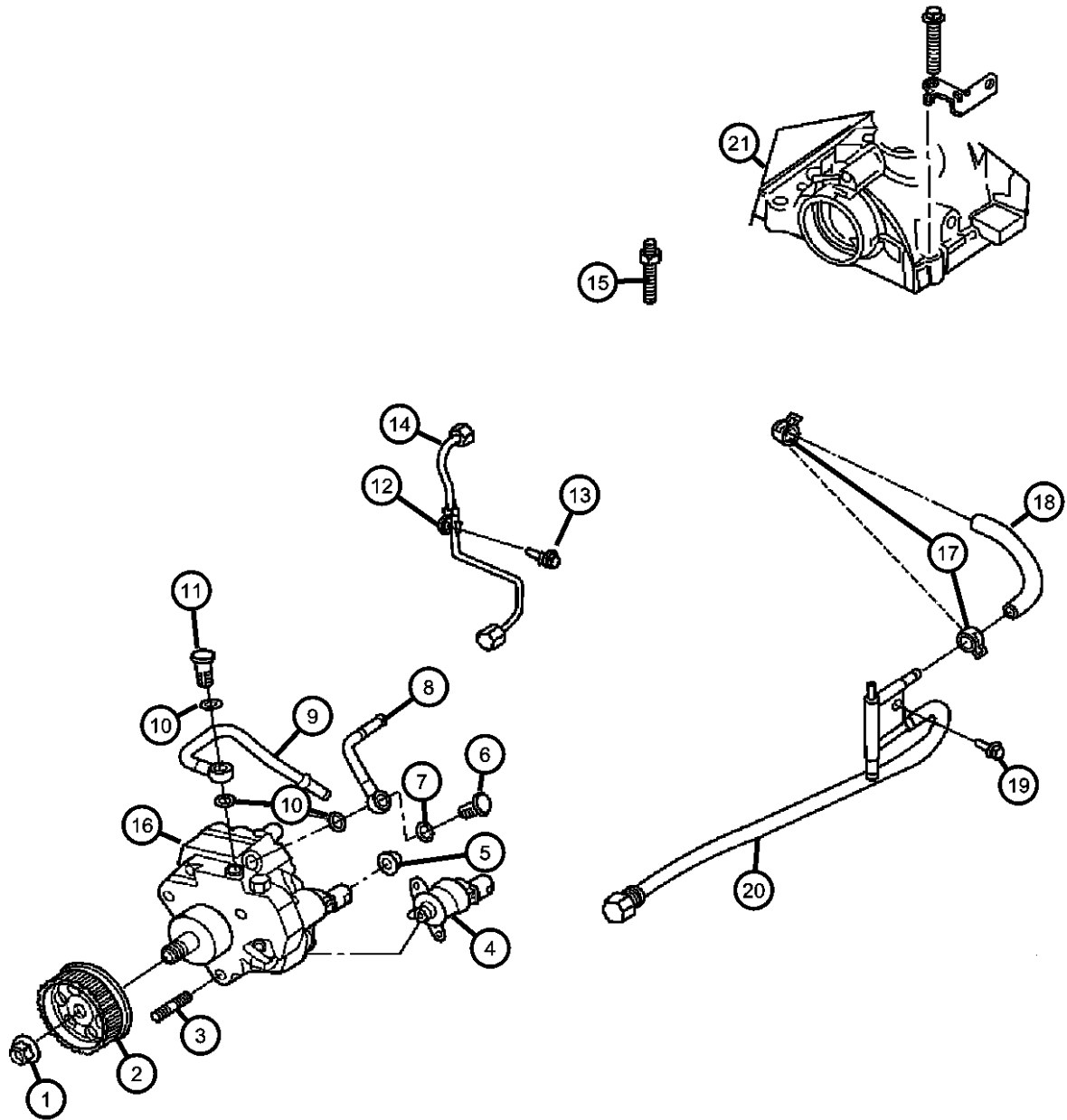
BODY  
74 = SPORT UTILITY 4-DR

ENGINE  
EKG = 3.7L V6 Engine  
ENR = 2.8L 4 Cyl Turbo Diesel Engine  
ENJ = 2.5L 4 Cyl 16V Turbo Diesel Engine  
ED1 = 2.4L 4 Cyl DOHC 16v SMPI Engine

TRANSMISSION  
DG6 = 4-Spd. Automatic 42RLE Transmission  
DGV = 4-Spd. Automatic VLP Transmission  
DGQ = 5-Spd Automatic 5-45RFE Transmission  
DEH = 6-Speed Manual NSG370 Transmission  
DDD = 5-Speed HD Manual Transmission  
DDK = 5-Speed HD Manual Transmission

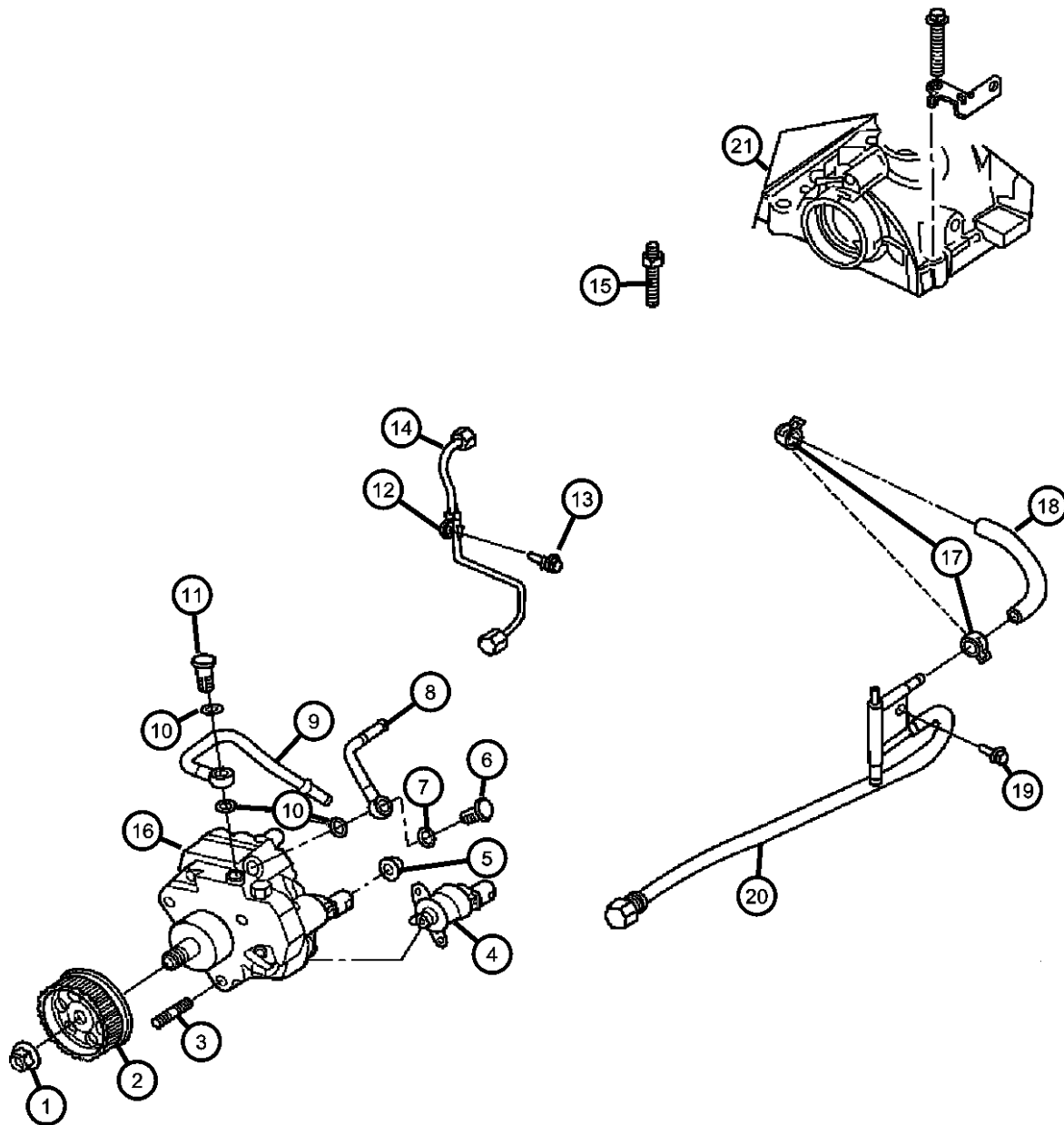
AR = use ase required - = Non illustrated part

2006 KJ



Fuel Injection Pump 2.8L [EN0]  
Figure 14-430

ITEM	PART NUMBER	QTY	LINE	SERIES	BODY	ENGINE	TRANS	TRIM	DESCRIPTION
	04720703	4				EN0	DG0		
		4				EN0	DBB		
11	04720367	2				EN0	DG0		BOLT, Banjo
		2				EN0	DBB		
12	05142800AA	1				EN0	DG0		CLIP
		1				EN0	DBB		
13	04864748AB	1				EN0	DG0		BOLT
		1				EN0	DBB		
14	05142769AA	1				EN0	DG0		PIPE
		1				EN0	DBB		
15	05066913AA	1				EN0	DG0		STUD
		1				EN0	DBB		
16	05159975AA	1				EN0	DBB		PUMP, Fuel Injection Export
	05166083AA	1				EN0	DG0		Export
		1				EN0	DG0		Export
17	04886051AA	1				EN0	DBB		CLAMP, Heater Hose
		1				EN0	DG0		
18	05142789AA	1				EN0	DG0		HOSE, Fuel
		1				EN0	DBB		
19	05066944AB	1				EN0	DBB		SCREW
		1				EN0	DG0		



LIBERTY (KJ)

SERIES LINE  
H = HIGHLINE T = JEEP - 2WD  
M = MEDIUM J = JEEP - 4WD  
P = PREMIUM U = JEEP - 4WD (RHD)

BODY  
74 = SPORT UTILITY 4-DR

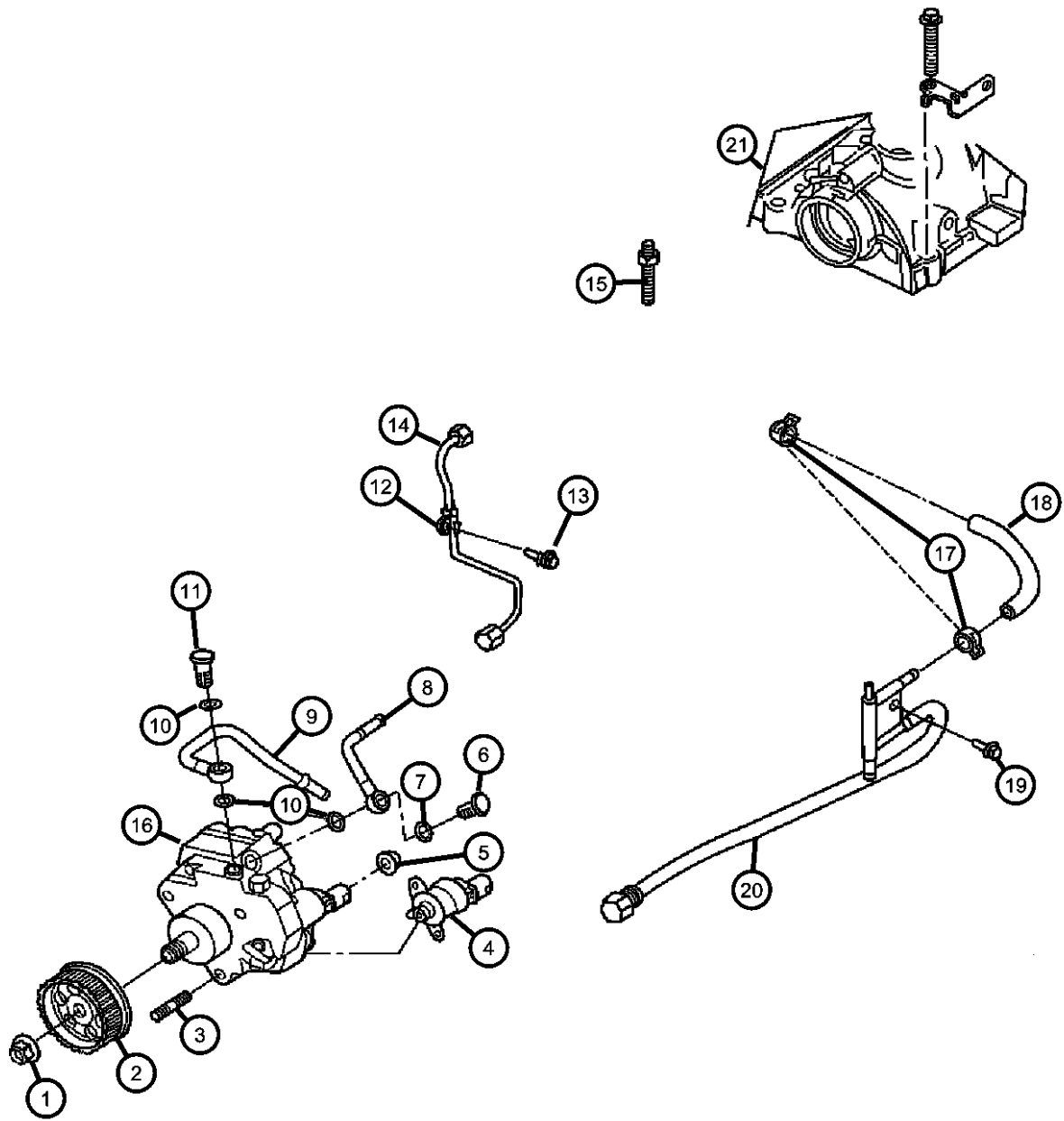
ENGINE TRANSMISSION  
EKG = 3.7L V6 Engine DG6 = 4-Spd. Automatic 42RLE  
ENR = 2.8L 4 Cyl Turbo Diesel Transmission  
Engine DGV = 4-Spd. Automatic VLP  
ENJ = 2.5L 4 Cyl 16V Turbo Transmission  
Diesel Engine DGQ = 5-Spd Automatic 5-45RFE  
ED1 = 2.4L 4 Cyl DOHC 16v Transmission  
SMPI Engine DEH = 6-Speed Manual NSG370  
Transmission  
DDD = 5-Speed HD Manual  
Transmission  
DDK = 5-Speed HD Manual  
Transmission

AR = use ase required - = Non illustrated part

2006 KJ

Fuel Injection Pump 2.8L [EN0]  
Figure 14-430

ITEM	PART NUMBER	QTY	LINE	SERIES	BODY	ENGINE	TRANS	TRIM	DESCRIPTION
20	05142809AA	1				EN0	DG0		BLOCK, Fuel Return
		1				EN0	DBB		
21	05142649AA	1				EN0	DG0		BRACKET
		1				EN0	DBB		



LIBERTY (KJ)

SERIES LINE BODY  
 H = HIGHLINE T = JEEP - 2WD 74 = SPORT UTILITY 4-DR  
 M = MEDIUM J = JEEP - 4WD  
 P = PREMIUM U = JEEP - 4WD (RHD)

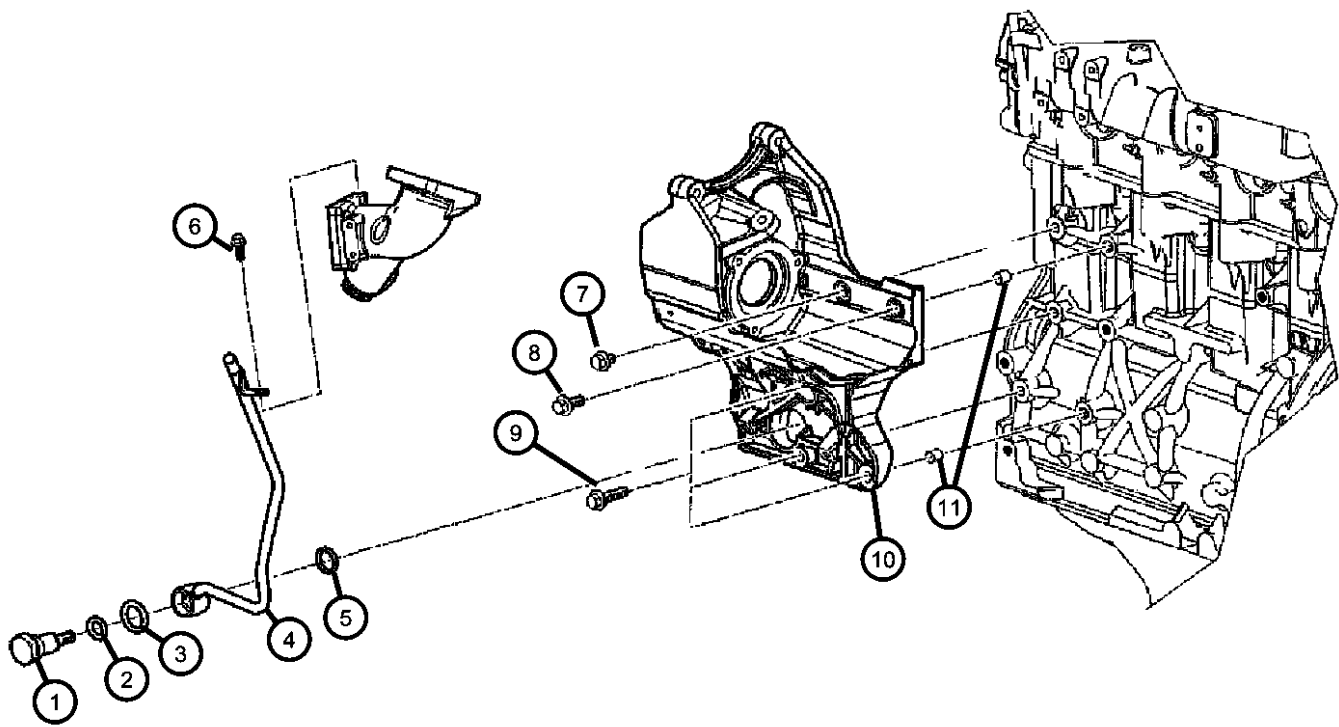
BODY  
 74 = SPORT UTILITY 4-DR

ENGINE TRANSMISSION  
 EKG = 3.7L V6 Engine DG6 = 4-Spd. Automatic 42RLE  
 ENR = 2.8L 4 Cyl Turbo Diesel Transmission  
 Engine DGV = 4-Spd. Automatic VLP  
 ENJ = 2.5L 4 Cyl 16V Turbo Transmission  
 Diesel Engine DGQ = 5-Spd Automatic 5-45RFE  
 ED1 = 2.4L 4 Cyl DOHC 16v Transmission  
 SMPI Engine DEH = 6-Speed Manual NSG370  
 Transmission  
 DDD = 5-Speed HD Manual  
 Transmission  
 DDK = 5-Speed HD Manual  
 Transmission

AR = use ase required - = Non illustrated part

**Fuel Injection Pump Mounting  
Figure 14-435**

ITEM	PART NUMBER	QTY	LINE	SERIES	BODY	ENGINE	TRANS	TRIM	DESCRIPTION
Note; Sales Codes; [DBB] = All Manual Transmissions [DG0] = All Automatic Transmissions [EN0] = All 4/5 Cylinder Turbo Diesel Engines									
1	05015037AA	1				EN0	DG0		VALVE, Vacuum Pump
		1				EN0	DBB		
2	05066860AA	1				EN0	DBB		O RING
		1				EN0	DG0		
3	05015040AA	1				EN0	DG0		WASHER, Plain
		1				EN0	DBB		
4	05142786AA	1				EN0	DG0		LINE, Vacuum
		1				EN0	DBB		
5	04863779	1				EN0	DG0		GASKET, Vacuum Pump, .
		1				EN0	DBB		
6	05003551AA	1				EN0	DG0		BOLT, M6x10
		1				EN0	DBB		
7	05093900AB	1				EN0	DG0		SCREW
		1				EN0	DBB		
8	05003532AB	1				EN0	DG0		BOLT, Adaptor Plate
		1				EN0	DBB		
9	04897253AB	1				EN0	DG0		BOLT, Hex Flange Head, M10x35
		1				EN0	DBB		



**LIBERTY (KJ)**

SERIES      LINE  
H = HIGHLINE    T = JEEP - 2WD  
M = MEDIUM      J = JEEP - 4WD  
P = PREMIUM      U = JEEP - 4WD (RHD)

BODY  
74 = SPORT UTILITY 4-DR

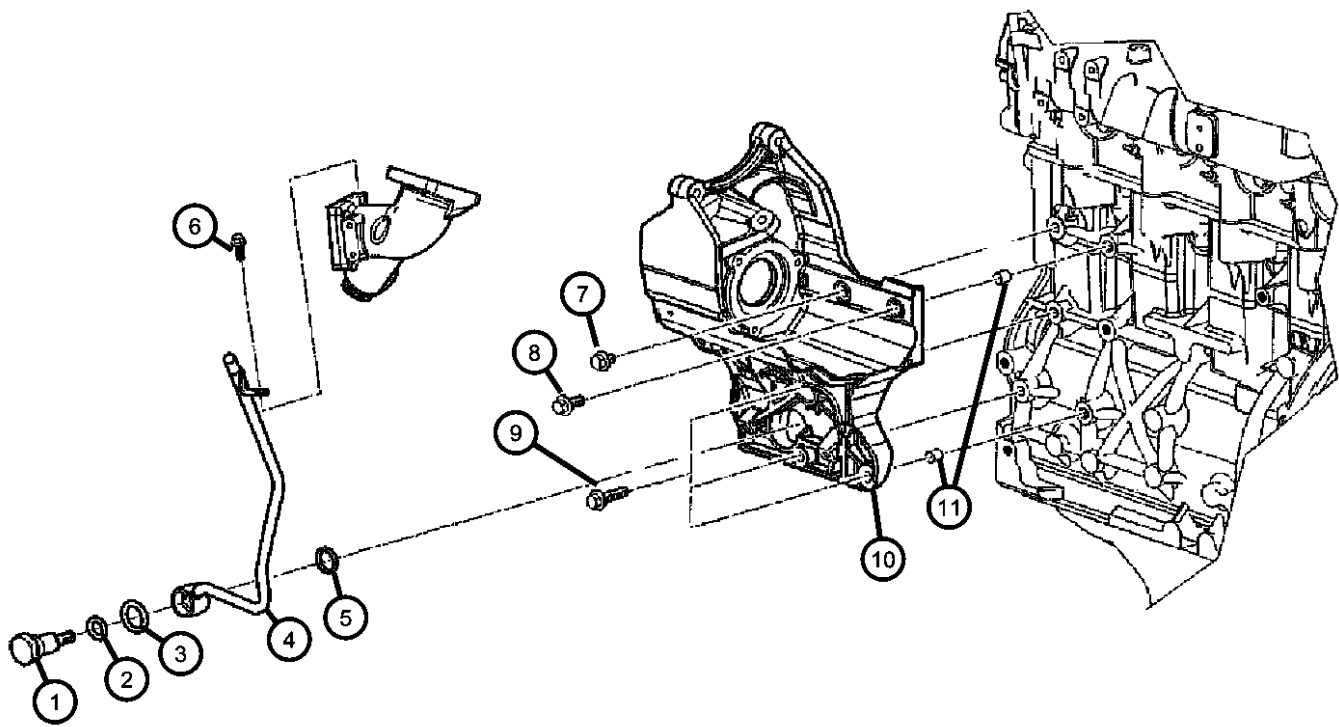
ENGINE  
EKG = 3.7L V6 Engine  
ENR = 2.8L 4 Cyl Turbo Diesel Engine  
ENJ = 2.5L 4 Cyl 16V Turbo Diesel Engine  
ED1 = 2.4L 4 Cyl DOHC 16v SMPI Engine

TRANSMISSION  
DG6 = 4-Spd. Automatic 42RLE Transmission  
DGV = 4-Spd. Automatic VLP Transmission  
DGQ = 5-Spd Automatic 5-45RFE Transmission  
DEH = 6-Speed Manual NSG370 Transmission  
DDD = 5-Speed HD Manual Transmission  
DDK = 5-Speed HD Manual Transmission

AR = use ase required    - = Non illustrated part

**Fuel Injection Pump Mounting  
Figure 14-435**

ITEM	PART NUMBER	QTY	LINE	SERIES	BODY	ENGINE	TRANS	TRIM	DESCRIPTION
10	05142553AA	1				EN0	DG0		BRACKET, Accessory Mount
		1				EN0	DBB		
11	05066862AA	1				EN0	DBB		PIN
		1				EN0	DG0		



**LIBERTY (KJ)**

SERIES      LINE  
H = HIGHLINE    T = JEEP - 2WD  
M = MEDIUM     J = JEEP - 4WD  
P = PREMIUM    U = JEEP - 4WD (RHD)

BODY  
74 = SPORT UTILITY 4-DR

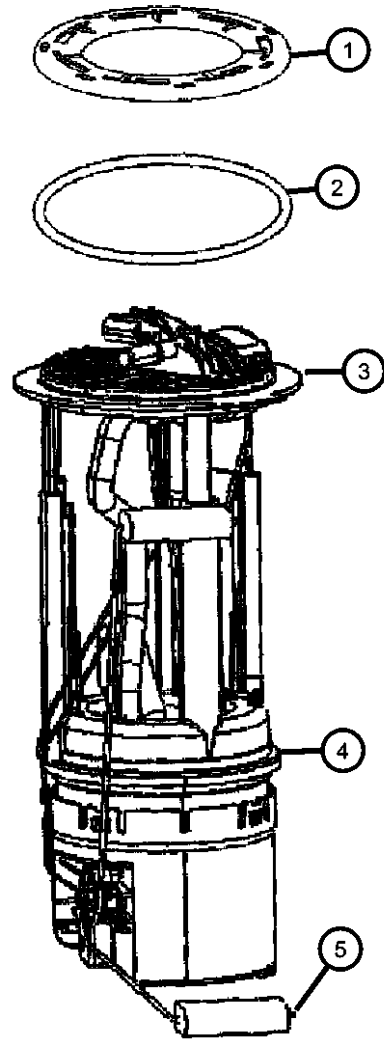
ENGINE      TRANSMISSION  
EKG = 3.7L V6 Engine      DG6 = 4-Spd. Automatic 42RLE  
ENR = 2.8L 4 Cyl Turbo Diesel Engine      DGV = 4-Spd. Automatic VLP  
ENJ = 2.5L 4 Cyl 16V Turbo Diesel Engine      DGQ = 5-Spd Automatic 5-45RFE  
ED1 = 2.4L 4 Cyl DOHC 16v SMPI Engine      DEH = 6-Speed Manual NSG370  
Transmission  
DDD = 5-Speed HD Manual Transmission  
DDK = 5-Speed HD Manual Transmission

AR = use ase required - = Non illustrated part

**Fuel Pump and Sending Unit, 3.7L [EK0] 2.8L [EN0]  
Figure 14-510**

ITEM	PART NUMBER	QTY	LINE	SERIES	BODY	ENGINE	TRANS	TRIM	DESCRIPTION
------	-------------	-----	------	--------	------	--------	-------	------	-------------

Note; Sales Codes  
[EKG]= All "Magnum" 3.7L V6 Engine  
[ENR]= All 2.8L 4 C ylinder Turbo Diesel Engine



1									RING, Lock, Fuel Module
	55366299AA	1				EN0			
		1				EK0			
2									O RING, Fuel Pump and Level Unit
	55366298AA	1				EN0			
		1				EK0			
3	05140832AB	1				EN0			MODULE PACKAGE, Fuel Tank
4	05140829AC	1				EK0			MODULE KIT, Fuel Pump/Level Unit, This Kit Contain The Following 52128975AE Fuel Module Assy 55366298AA Seal - Fuel Pump and Level Unit
5	05159159AA	1				ED0, EK0			LEVEL UNIT KIT, Fuel

**LIBERTY (KJ)**

SERIES      LINE  
H = HIGHLINE    T = JEEP - 2WD  
M = MEDIUM     J = JEEP - 4WD  
P = PREMIUM    U = JEEP - 4WD (RHD)

BODY  
74 = SPORT UTILITY 4-DR

ENGINE      TRANSMISSION  
EKG = 3.7L V6 Engine      DG6 = 4-Spd. Automatic 42RLE  
ENR = 2.8L 4 Cyl Turbo Diesel Engine      DG7 = 4-Spd. Automatic VLP  
ENJ = 2.5L 4 Cyl 16V Turbo Diesel Engine      DGQ = 5-Spd Automatic 5-45RFE  
ED1 = 2.4L 4 Cyl DOHC 16v SMPI Engine      DEH = 6-Speed Manual NSG370  
Transmission  
DDD = 5-Speed HD Manual Transmission  
DDK = 5-Speed HD Manual Transmission

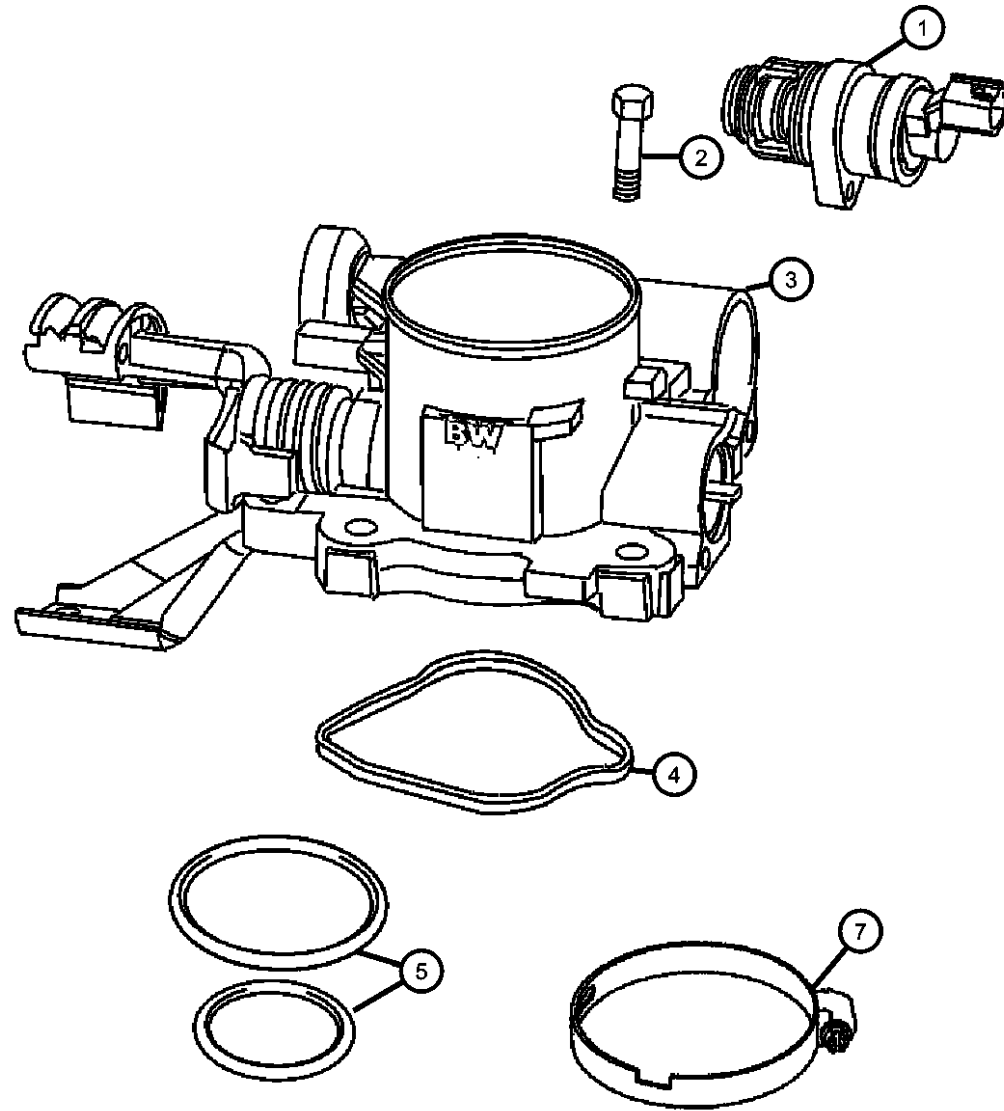
AR = use ase required - = Non illustrated part

2006 KJ



Throttle Body, 3.7, [EK0]  
Figure 14-610

ITEM	PART NUMBER	QTY	LINE	SERIES	BODY	ENGINE	TRANS	TRIM	DESCRIPTION
Note; Sales Codes [EK0]= All 3.7L, 6 Cylinder Gas Engines									
1	04861552AC	1				EK0			SOLENOID, Linear IACV
2	04861552AC	1							SCREW, Hex Head, M6 x 1.00 x 40.00, (NOT SERVICED)
3	05139073AB	1				EK0			THROTTLE BODY
4	53013292AB	1				EK0			GASKET, Throttle Body To Intake
5	05114356AA	1				EK0			O RING KIT, Linear Solenoid
-6	05019411AC	1				EK0			SENSOR KIT, Throttle Position, Attaching Screws No Oring Required For This Application
7	53013725AA	1				EK0			CLAMP, Hose to Throttle Body



LIBERTY (KJ)

SERIES      LINE  
H = HIGHLINE    T = JEEP - 2WD  
M = MEDIUM     J = JEEP - 4WD  
P = PREMIUM    U = JEEP - 4WD (RHD)

BODY  
74 = SPORT UTILITY 4-DR

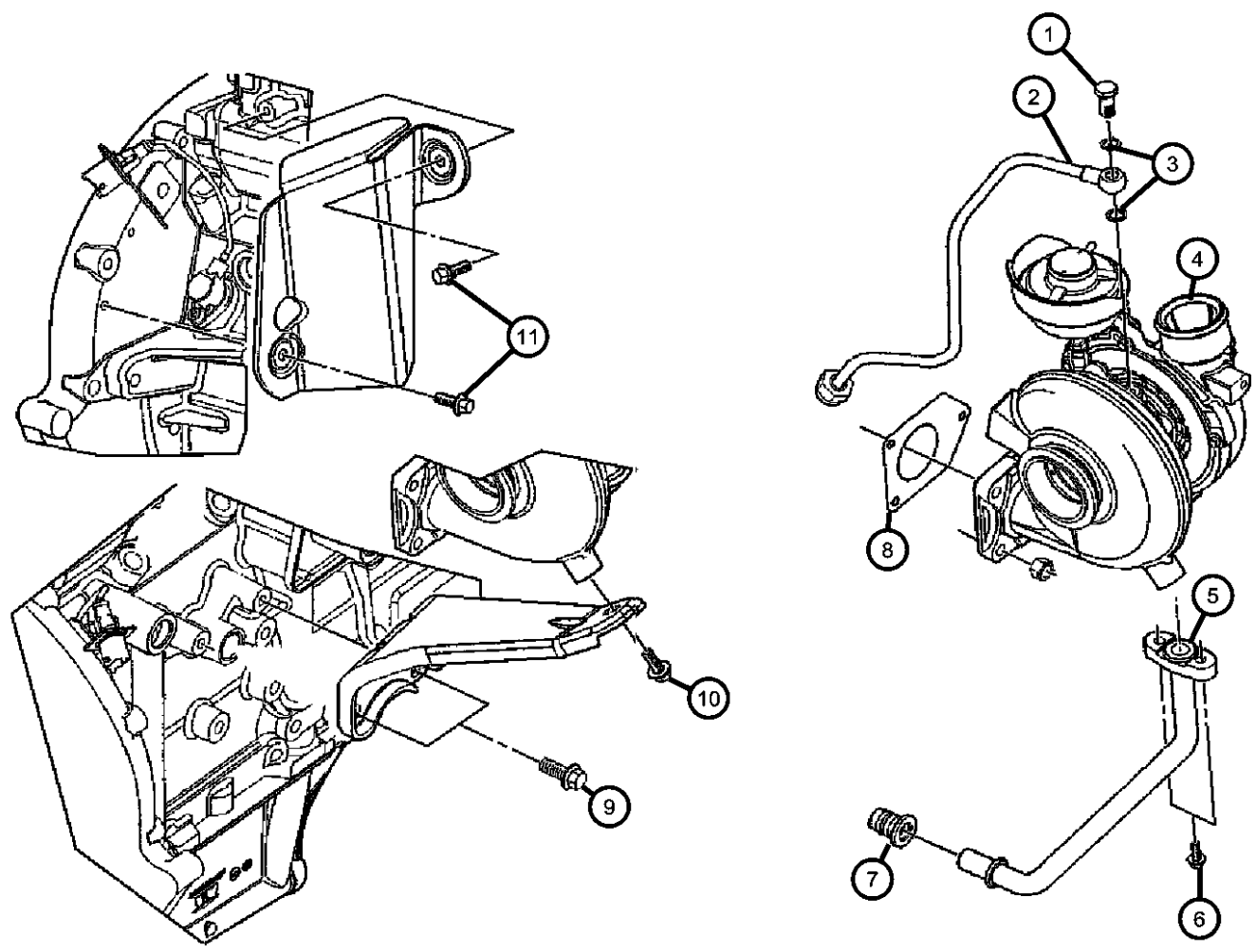
ENGINE      TRANSMISSION  
EKG = 3.7L V6 Engine      DG6 = 4-Spd. Automatic 42RLE  
ENR = 2.8L 4 Cyl Turbo Diesel Engine      DGV = 4-Spd. Automatic VLP  
ENJ = 2.5L 4 Cyl 16V Turbo Diesel Engine      DGQ = 5-Spd Automatic 5-45RFE  
ED1 = 2.4L 4 Cyl DOHC 16v SMPI Engine      DEH = 6-Speed Manual NSG370  
Transmission  
DDD = 5-Speed HD Manual Transmission  
DDK = 5-Speed HD Manual Transmission

AR = use ase required - = Non illustrated part

2006 KJ

**Turbocharger 2.8L [EN0]  
Figure 14-620**

ITEM	PART NUMBER	QTY	LINE	SERIES	BODY	ENGINE	TRANS	TRIM	DESCRIPTION
1									SCREW
	05142792AA	1				EN0	DG0		
		1				EN0	DBB		
2									PIPE
	05142607AA	1				EN0	DG0		
		1				EN0	DBB		
3									WASHER, Implement Attaching
	04720713	5				EN0	DG0		
		5				EN0	DBB		
4									TURBOCHARGER
	05142797AB	1				EN0	DG0		
		1				EN0	DBB		
5									PIPE, Turbo Oil Drain
	05142606AA	1				EN0	DBB		
		1				EN0	DG0		
6									SCREW
	05066944AB	1				EN0	DBB		
	05066960AB	6				EN0	DG0		
7									SEAL
	05142794AA	1				EN0	DG0		
		1				EN0	DBB		
8									GASKET, Turbocharger
	05142657AB	1				EN0	DG0		
		1				EN0	DBB		
9									SCREW
	05066986AA	1				EN0	DBB		
		1				EN0	DG0		
10									SCREW, Qty wrong



**LIBERTY (KJ)**

SERIES      LINE  
H = HIGHLINE    T = JEEP - 2WD  
M = MEDIUM      J = JEEP - 4WD  
P = PREMIUM      U = JEEP - 4WD (RHD)

BODY  
74 = SPORT UTILITY 4-DR

ENGINE  
EKG = 3.7L V6 Engine  
ENR = 2.8L 4 Cyl Turbo Diesel Engine  
ENJ = 2.5L 4 Cyl 16V Turbo Diesel Engine  
ED1 = 2.4L 4 Cyl DOHC 16v SMPI Engine

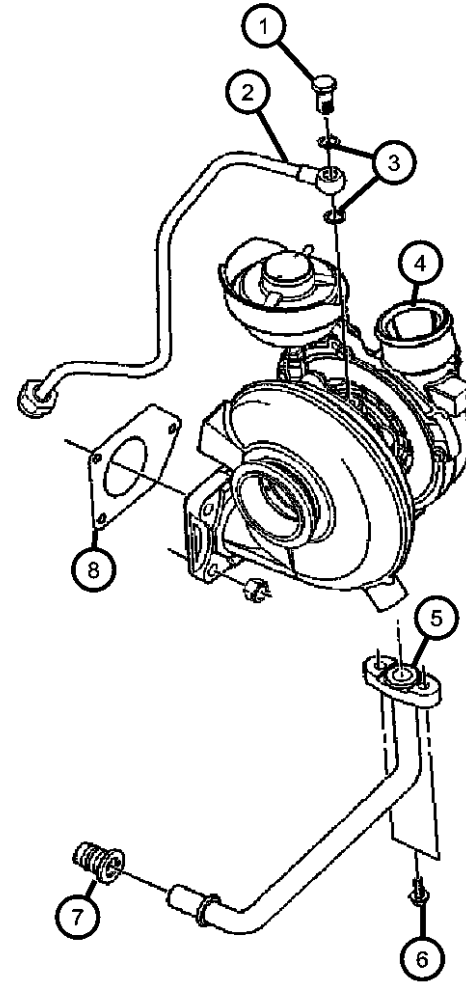
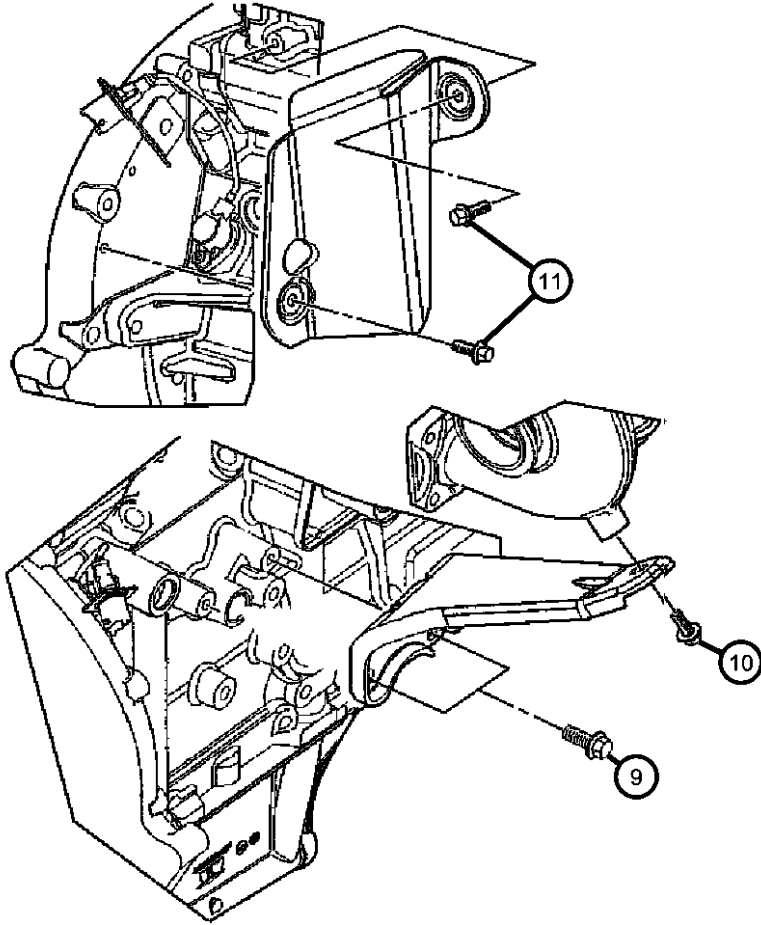
TRANSMISSION  
DG6 = 4-Spd. Automatic 42RLE Transmission  
DGV = 4-Spd. Automatic VLP Transmission  
DGQ = 5-Spd Automatic 5-45RFE Transmission  
DEH = 6-Speed Manual NSG370 Transmission  
DDD = 5-Speed HD Manual Transmission  
DDK = 5-Speed HD Manual Transmission

AR = use ase required    - = Non illustrated part

2006 KJ

**Turbocharger 2.8L [EN0]  
Figure 14-620**

ITEM	PART NUMBER	QTY	LINE	SERIES	BODY	ENGINE	TRANS	TRIM	DESCRIPTION
	05066986AA	11				EN0	DBB		
		1				EN0	DG0		
11	05003553AB	1				EN0	DG0		SCREW
		1				EN0	DBB		
-12	53013753AB	1				EN0			SHIELD, Exhaust Manifold



**LIBERTY (KJ)**

SERIES      LINE  
H = HIGHLINE    T = JEEP - 2WD  
M = MEDIUM     J = JEEP - 4WD  
P = PREMIUM    U = JEEP - 4WD (RHD)

BODY  
74 = SPORT UTILITY 4-DR

ENGINE  
EKG = 3.7L V6 Engine  
ENR = 2.8L 4 Cyl Turbo Diesel Engine  
ENJ = 2.5L 4 Cyl 16V Turbo Diesel Engine  
ED1 = 2.4L 4 Cyl DOHC 16v SMPI Engine

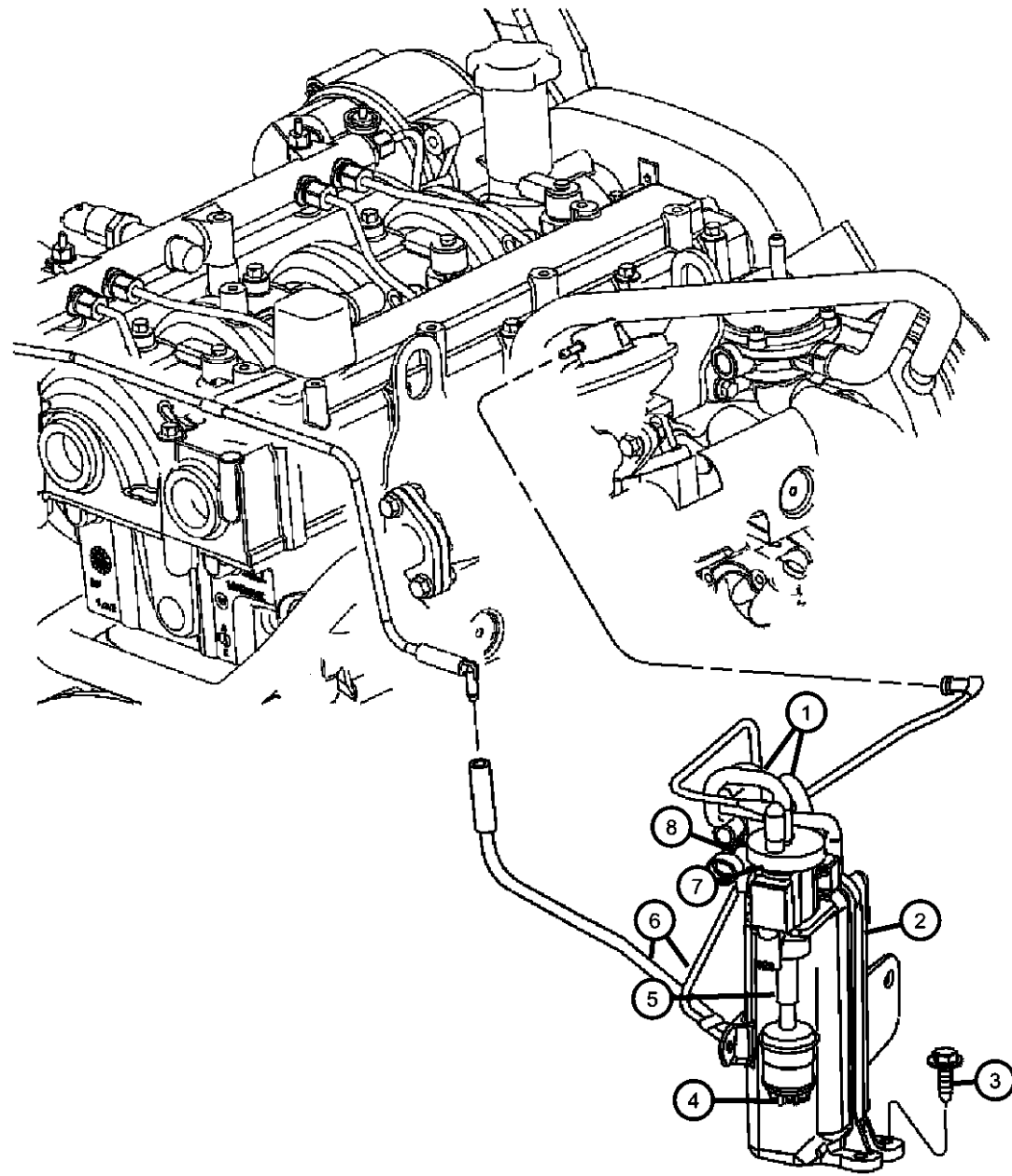
TRANSMISSION  
DG6 = 4-Spd. Automatic 42RLE  
DG7 = 4-Spd. Automatic VLP  
DGQ = 5-Spd Automatic 5-45RFE  
DEH = 6-Speed Manual NSG370  
DDD = 5-Speed HD Manual Transmission  
DDK = 5-Speed HD Manual Transmission

AR = use ase required    - = Non illustrated part

**Electric turbo Modulator  
Figure 14-630**

ITEM	PART NUMBER	QTY	LINE	SERIES	BODY	ENGINE	TRANS	TRIM	DESCRIPTION
------	-------------	-----	------	--------	------	--------	-------	------	-------------

Note; Sales Codes  
[EN0]= All 4/5 Cylinder Turbo Diesels



1									HOSE, Solenoid
	05143972AA	1	J, U			EN0			Wastgate Solenoid
	05143973AA	1	J, U			EN0			This hose goes between the vacuum solenoid
2	52129285AA	1	J, U			EN0			RESERVOIR, Vacuum
3	52129285AA	1							SCREW, M4.8-1.59X15.00, (NOT SERVICED)
4	05080374AA	1	J, U			EN0			FILTER, Vacuum Sensor
5	52109619AB	1	J, U			EN0			HOSE, Solenoid
6	05161263AC	1	J, U			EN0			TUBE ASSY, Vacuum
7	52109543AA	1	J, U			EN0			MODULATOR, Vacuum Electric
8	04606226AC	1	U, J			EN0			SOLENOID, Secondary Runner Valve

**LIBERTY (KJ)**

SERIES      LINE  
H = HIGHLINE    T = JEEP - 2WD  
M = MEDIUM     J = JEEP - 4WD  
P = PREMIUM    U = JEEP - 4WD (RHD)

BODY  
74 = SPORT UTILITY 4-DR

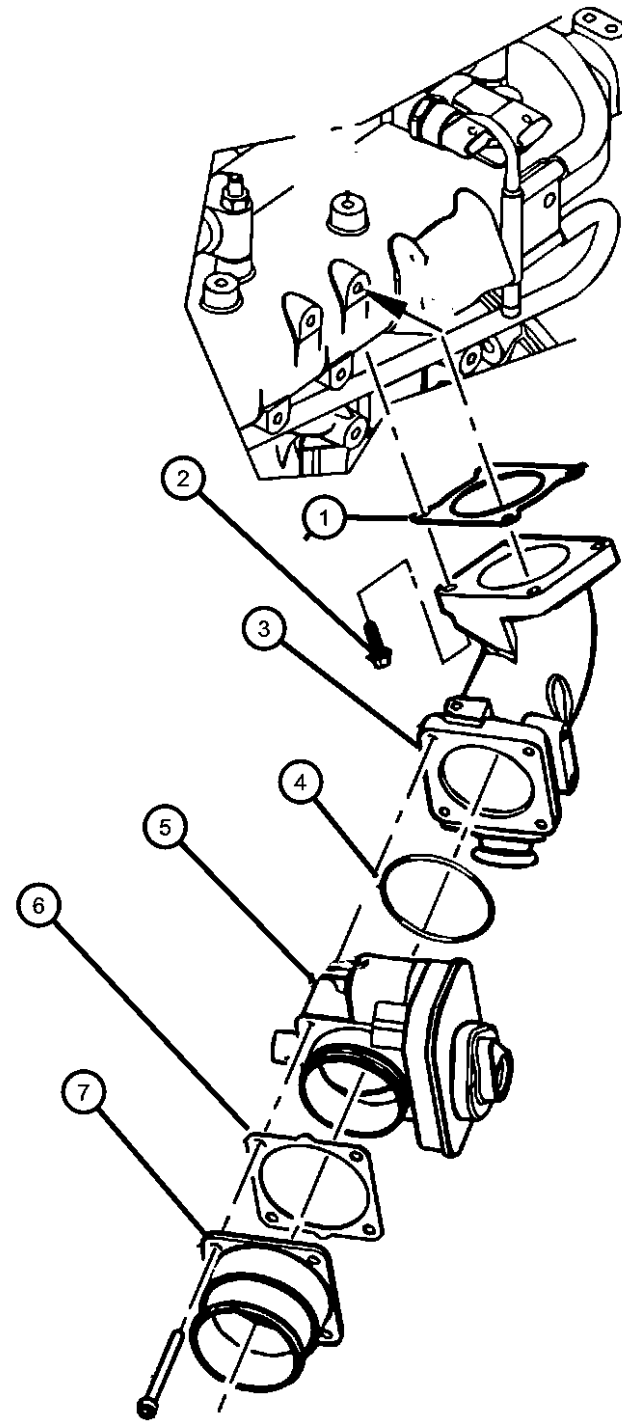
ENGINE  
EKG = 3.7L V6 Engine  
ENR = 2.8L 4 Cyl Turbo Diesel Engine  
ENJ = 2.5L 4 Cyl 16V Turbo Diesel Engine  
ED1 = 2.4L 4 Cyl DOHC 16v SMPI Engine

TRANSMISSION  
DG6 = 4-Spd. Automatic 42RLE Transmission  
DGV = 4-Spd. Automatic VLP Transmission  
DGQ = 5-Spd Automatic 5-45RFE Transmission  
DEH = 6-Speed Manual NSG370 Transmission  
DDD = 5-Speed HD Manual Transmission  
DDK = 5-Speed HD Manual Transmission

AR = use ase required - = Non illustrated part

2006 KJ

Throttle Control 2.8L [EN0]  
Figure 14-710



ITEM	PART NUMBER	QTY	LINE	SERIES	BODY	ENGINE	TRANS	TRIM	DESCRIPTION
1	05066946AA	1				EN0	DBB		GASKET
2	05066944AB	1				EN0	DBB		SCREW
3	05142602AA	1				EN0	DBB		ELBOW, Air Intake
4									O RING, Egr airflow control valve to elbow
	05142806AA	1				EN0	DG0		
		1				EN0	DBB		
5									CONTROL, Electronic Throttle
	05142799AA	1				EN0	DG0		
		1				EN0	DBB		
6									GASKET, Egr airflow control valve
	05142613AA	1				EN0	DG0		
		1				EN0	DBB		
7									ADAPTER, Intake Throttle
	05142813AA	1				EN0	DG0		
		1				EN0	DBB		

LIBERTY (KJ)

SERIES      LINE  
H = HIGHLINE    T = JEEP - 2WD  
M = MEDIUM     J = JEEP - 4WD  
P = PREMIUM    U = JEEP - 4WD (RHD)

BODY  
74 = SPORT UTILITY 4-DR

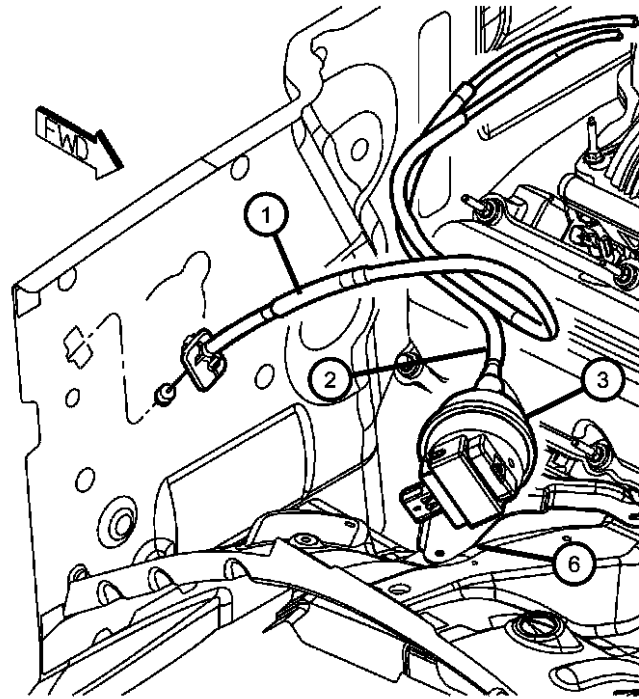
ENGINE      TRANSMISSION  
EKG = 3.7L V6 Engine      DG6 = 4-Spd. Automatic 42RLE  
ENR = 2.8L 4 Cyl Turbo Diesel      Transmission  
Engine      DGV = 4-Spd. Automatic VLP  
ENJ = 2.5L 4 Cyl 16V Turbo      Transmission  
Diesel Engine      DGQ = 5-Spd Automatic 5-45RFE  
ED1 = 2.4L 4 Cyl DOHC 16v      Transmission  
SMPI Engine      DEH = 6-Speed Manual NSG370  
Transmission  
DDD = 5-Speed HD Manual  
Transmission  
DDK = 5-Speed HD Manual  
Transmission

AR = use ase required - = Non illustrated part

2006 KJ

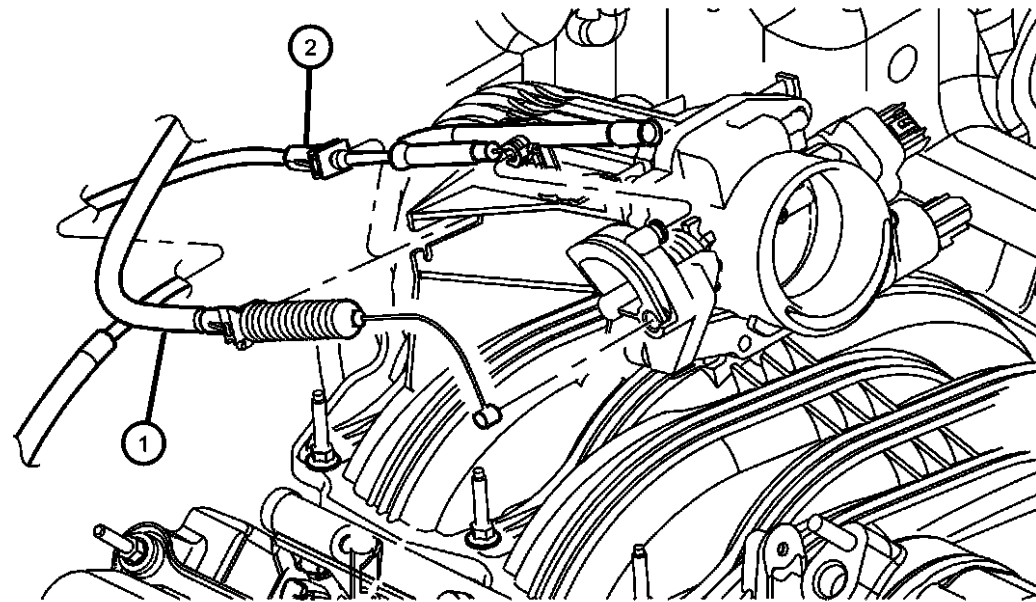
Throttle Controls, 3.7L [EK0]  
Figure 14-720

ITEM	PART NUMBER	QTY	LINE	SERIES	BODY	ENGINE	TRANS	TRIM	DESCRIPTION
------	-------------	-----	------	--------	------	--------	-------	------	-------------



Note; Sales Codes  
[EKG]= 3.7L Magnum V-6  
[EK0]= All 3.7L V-6 Gas Engines

1									CABLE, Accelerator
	53013136AF	1	J, T			EKG			
	53013138AF	1	U			EK0			
2	53013367AE	1	J, T, U		74	EK0			CABLE, Speed Control
3	04669979	1	J, T, U		74	EK0			SERVO, Speed Control
-4	06502493	2	J, T, U		74	EK0			NUT, Hex Flange Serration, M6x1
-5	06025867	1				EK0			CLIP, Cable to Servo Attach
6	53013348AA	1				EK0			BRACKET, Speed Control Servo
-7	05214613	1	J, T						CLIP, Cable, Accelerator Cable to Pedal



LIBERTY (KJ)

SERIES LINE  
H = HIGHLINE T = JEEP - 2WD  
M = MEDIUM J = JEEP - 4WD  
P = PREMIUM U = JEEP - 4WD (RHD)

BODY  
74 = SPORT UTILITY 4-DR

ENGINE TRANSMISSION  
EKG = 3.7L V6 Engine DG6 = 4-Spd. Automatic 42RLE  
ENR = 2.8L 4 Cyl Turbo Diesel Transmission  
Engine DGV = 4-Spd. Automatic VLP  
ENJ = 2.5L 4 Cyl 16V Turbo Transmission  
Diesel Engine DGQ = 5-Spd Automatic 5-45RFE  
ED1 = 2.4L 4 Cyl DOHC 16v Transmission  
SMPI Engine DEH = 6-Speed Manual NSG370  
Transmission  
DDD = 5-Speed HD Manual  
Transmission  
DDK = 5-Speed HD Manual  
Transmission

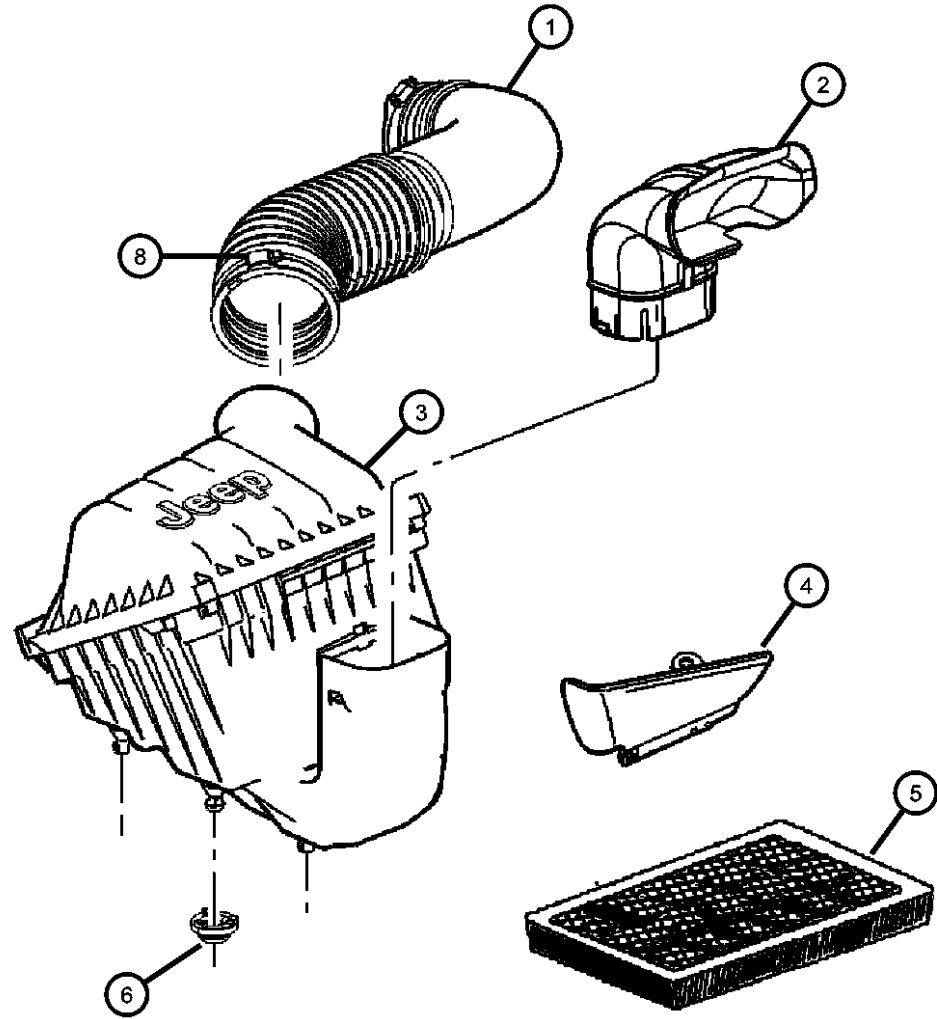
AR = use ase required - = Non illustrated part

2006 KJ

**Air Cleaner, 3.7L [EK0]  
Figure 14-820**

ITEM	PART NUMBER	QTY	LINE	SERIES	BODY	ENGINE	TRANS	TRIM	DESCRIPTION
------	-------------	-----	------	--------	------	--------	-------	------	-------------

Note; Sales Codes  
[EK0]= All 3.7L, 6 Cylinder Gas Engines  
[EN0]= All 4/5 Cylinder Turbo Diesels



**3.7L**

1	53013724AA	1				EK0			HOSE, Air Cleaner
2	53013103AA	1				EK0			INLET, Fresh Air
3	53013727AA	1				EK0			AIR CLEANER
4	53013509AA	1				EK0			BAFFLE, Air Inlet
5	05018777AB	1				EK0			FILTER, Air
	VMWK30K1AA								Mopar HEMI 5.7L Maintenance Kit 30,000 Mile (Air/Oil Filters, Plugs, PCV)
	VMWK60K1AA								Mopar HEMI 5.7L Maintenance Kit 60,000 Mile (Air/Oil Filters, Plugs, PCV, Drive Belt, LX Cabin Filter)
	77060013								Performance Cold Air System, KJ, 2005-2006, 3.7L
	P4510472								Performance Air Filter, KJ, 2002-2003, 3.7L
	77060010								Performance Cold Air System, WK, 2005-2007, 5.7L
	77060011								Performance Cold Air System, WK, 2005-2007, 6.1L
6	53013357AA	3				EK0, EN0			GROMMET, Air Cleaner
-7	06036456AA	1				EK0			RIVET
8	53013726AA	1				EK0			CLAMP, Hose to Air Cleaner

**LIBERTY (KJ)**

SERIES	LINE
H = HIGHLINE	T = JEEP - 2WD
M = MEDIUM	J = JEEP - 4WD
P = PREMIUM	U = JEEP - 4WD (RHD)

BODY  
74 = SPORT UTILITY 4-DR

ENGINE  
EKG = 3.7L V6 Engine  
ENR = 2.8L 4 Cyl Turbo Diesel Engine  
ENJ = 2.5L 4 Cyl 16V Turbo Diesel Engine  
ED1 = 2.4L 4 Cyl DOHC 16v SMPI Engine

TRANSMISSION  
DG6 = 4-Spd. Automatic 42RLE Transmission  
DGV = 4-Spd. Automatic VLP Transmission  
DGQ = 5-Spd Automatic 5-45RFE Transmission  
DEH = 6-Speed Manual NSG370 Transmission  
DDD = 5-Speed HD Manual Transmission  
DDK = 5-Speed HD Manual Transmission

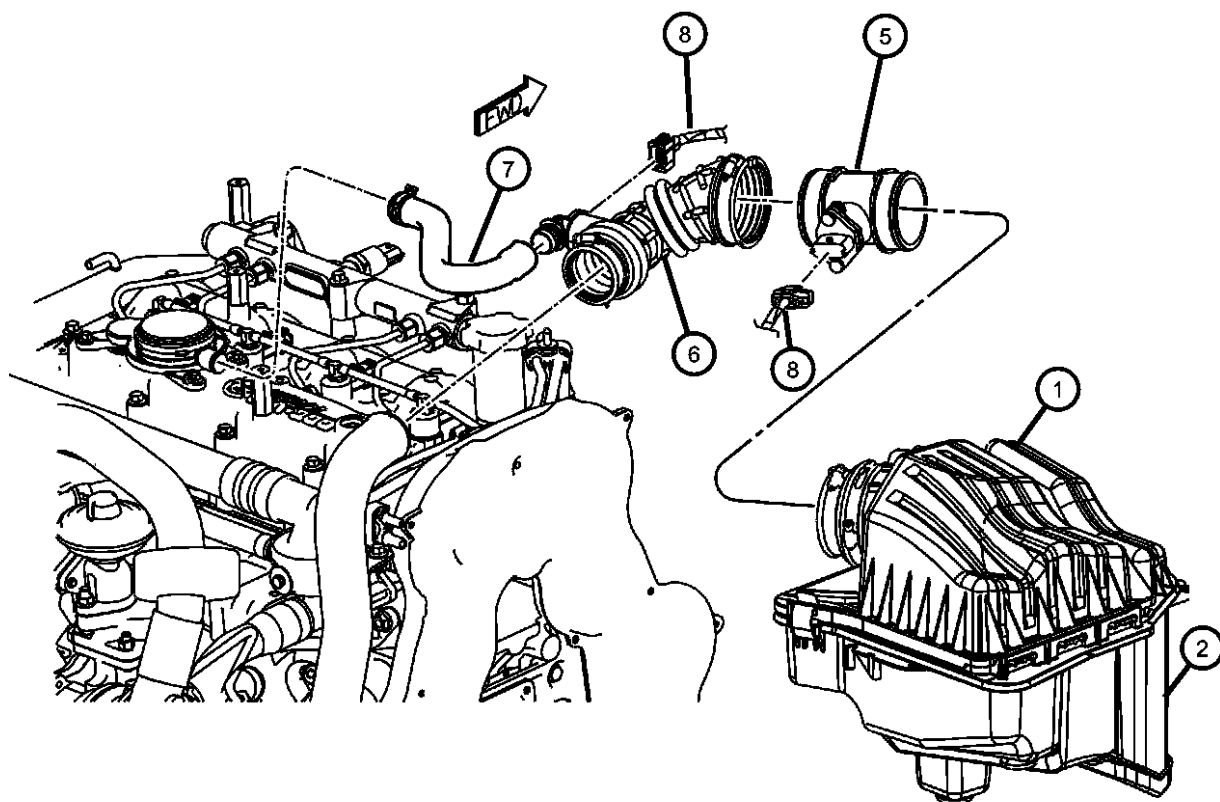
AR = use ase required - = Non illustrated part

2006 KJ

Air Cleaner, 2.8L [EN0]

Figure 14-830

ITEM	PART NUMBER	QTY	LINE	SERIES	BODY	ENGINE	TRANS	TRIM	DESCRIPTION
Note; Sales Codes [EK0]= All 3.7L, 6 Cylinder Gas Engines [EN0]= All 4/5 Cylinder Turbo Diesels									
1	05159174AA	1				EN0			COVER, Air Cleaner
2	05159170AA	1				EN0			BODY, Air Cleaner
-3	05018777AB	1				EN0			FILTER, Air
	VMWK30K1AA								Mopar HEMI 5.7L Maintenance Kit 30,000 Mile (Air/Oil Filters, Plugs, PCV)
	VMWK60K1AA								Mopar HEMI 5.7L Maintenance Kit 60,000 Mile (Air/Oil Filters, Plugs, PCV, Drive Belt, LX Cabin Filter)
	77060013								Performance Cold Air System, KJ, 2005-2006, 3.7L
	P4510472								Performance Air Filter, KJ, 2002-2003, 3.7L
	77060010								Performance Cold Air System, WK, 2005-2007, 5.7L
	77060011								Performance Cold Air System, WK, 2005-2007, 6.1L
-4	53013762AB	1				EN0			INLET, Fresh Air
5	53013762AB	1							SENSOR PACKAGE, Air Flow Meter, See Group 8, (NOT SERVICED)
6	53013104AE	1				EN0			HOSE, Clean Air
7	53013729AC	1				EN0			HOSE, Separator To Air Cleaner
8	53013729AC	1							WIRING, Engine, See Group 8, (NOT SERVICED)
-9	06102192AA	2				EN0			SCREW, Intake Manifold



LIBERTY (KJ)

SERIES      LINE  
 H = HIGHLINE    T = JEEP - 2WD  
 M = MEDIUM      J = JEEP - 4WD  
 P = PREMIUM      U = JEEP - 4WD (RHD)

BODY  
 74 = SPORT UTILITY 4-DR

ENGINE  
 EKG = 3.7L V6 Engine  
 ENR = 2.8L 4 Cyl Turbo Diesel Engine  
 ENJ = 2.5L 4 Cyl 16V Turbo Diesel Engine  
 ED1 = 2.4L 4 Cyl DOHC 16v SMPI Engine

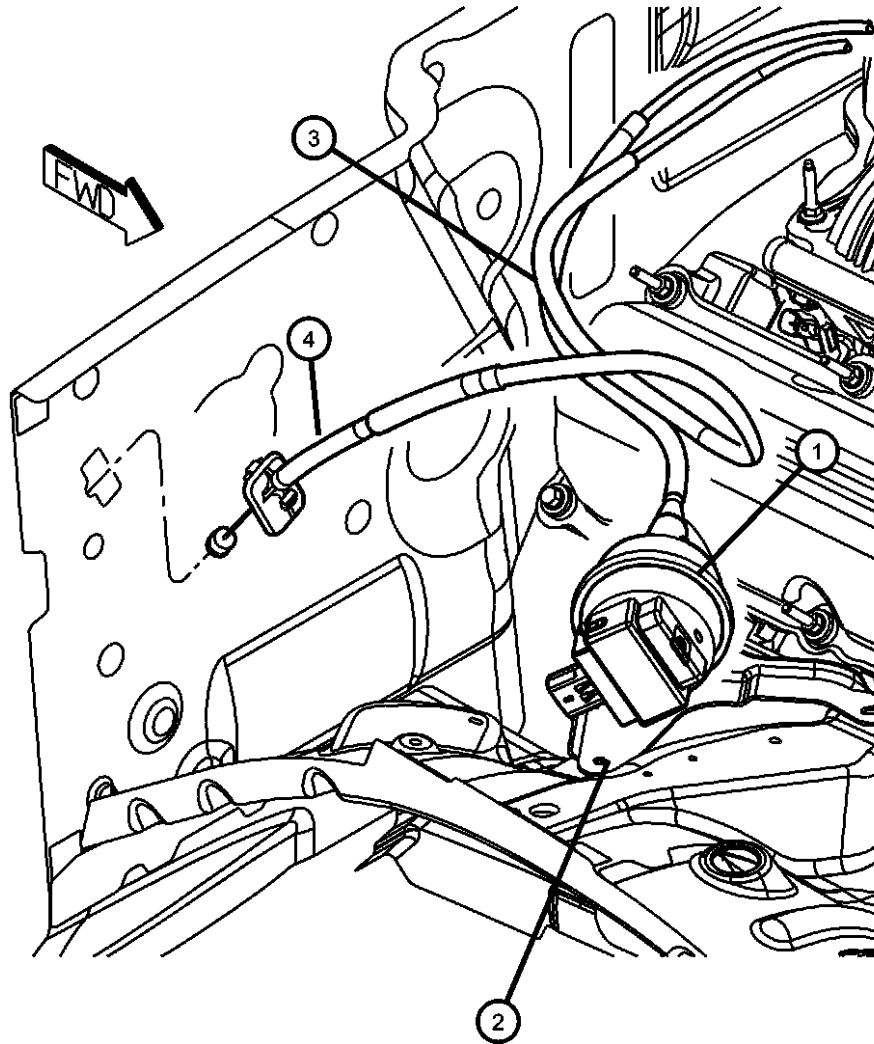
TRANSMISSION  
 DG6 = 4-Spd. Automatic 42RLE Transmission  
 DGV = 4-Spd. Automatic VLP Transmission  
 DGQ = 5-Spd Automatic 5-45RFE Transmission  
 DEH = 6-Speed Manual NSG370 Transmission  
 DDD = 5-Speed HD Manual Transmission  
 DDK = 5-Speed HD Manual Transmission

AR = use ase required - = Non illustrated part



**Speed Control  
Figure 14-1010**

ITEM	PART NUMBER	QTY	LINE	SERIES	BODY	ENGINE	TRANS	TRIM	DESCRIPTION
Note; Sales Codes [EK0]= All 3.7L 6 Cylinder Gas Engines									
1	04669979	1				EK0			SERVO, Speed Control
2	53013348AA	1				EK0			BRACKET, Speed Control Servo
3	53013367AE	1				EK0			CABLE, Speed Control
4									CABLE, Accelerator
	53013136AF	1	J, T			EKG			
	53013138AF	1	U		74	EK0			
-5	53013347AC	1				EK0			HARNES, Speed Control Vacuum
-6	06502493	2				EK0			NUT, Hex Flange Serration, M6x1
-7	06025867	1				EK0			CLIP, Cable to Servo Attach
-8	55037536AB	1							RESERVOIR, Speed Control Vacuum



**LIBERTY (KJ)**

SERIES      LINE  
H = HIGHLINE    T = JEEP - 2WD  
M = MEDIUM     J = JEEP - 4WD  
P = PREMIUM    U = JEEP - 4WD (RHD)

BODY  
74 = SPORT UTILITY 4-DR

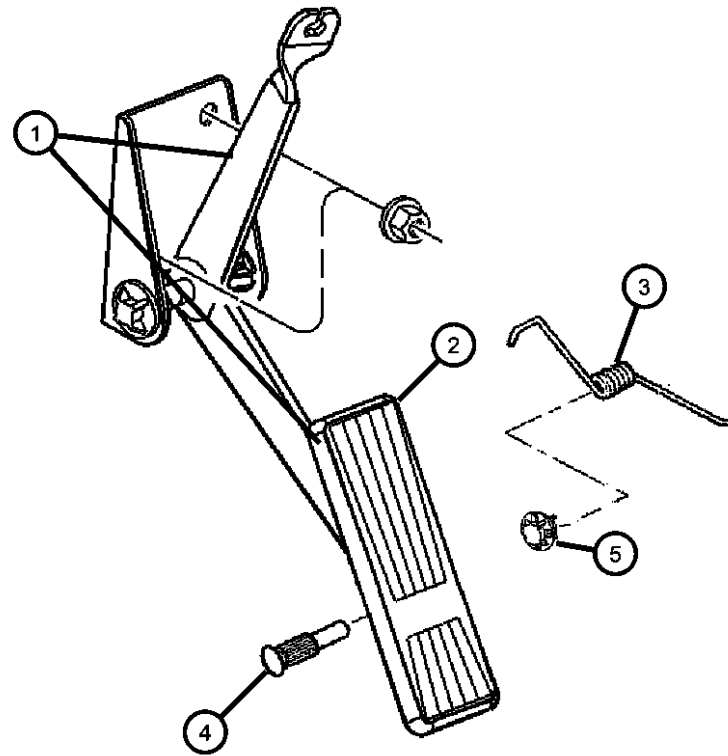
ENGINE      TRANSMISSION  
EKG = 3.7L V6 Engine      DG6 = 4-Spd. Automatic 42RLE  
ENR = 2.8L 4 Cyl Turbo Diesel Engine      DGV = 4-Spd. Automatic VLP  
ENJ = 2.5L 4 Cyl 16V Turbo Diesel Engine      DGQ = 5-Spd Automatic 5-45RFE  
ED1 = 2.4L 4 Cyl DOHC 16v SMPI Engine      DEH = 6-Speed Manual NSG370  
Transmission  
DDD = 5-Speed HD Manual Transmission  
DDK = 5-Speed HD Manual Transmission

AR = use ase required - = Non illustrated part

**Accelerator Pedal  
Figure 14-1110**

ITEM	PART NUMBER	QTY	LINE	SERIES	BODY	ENGINE	TRANS	TRIM	DESCRIPTION
------	-------------	-----	------	--------	------	--------	-------	------	-------------

Note; Sales Codes  
[EK0]= All 3.7L 6 Cylinder Gas Engines  
[EN0]= All 4/5 Cylinder Turbo Diesels



1									PEDAL, Accelerator
	53013527AB	1	J, T			ED0, EK0			
	53013528AB	1	U			ED0, EK0			
	53013703AB	1	J, T			EN0			
	53013704AD	1	U			EN0			
2									PAD, Accelerator Pedal, Also Serviced In Item 1
	53003932AB	1	J, T			ED0, EK0			
		1	U			ED0, EK0			
3									SPRING, Accelerator Pedal Return, Also Serviced In Item 1
	52078168	1	J, T			ED0, EK0			
		1	U			ED0, EK0			
4									PIN, Accelerator Pedal Mtg., Also Serviced In Item 1
	J3220231	1	J, T			ED0, EK0			
		1	U			ED0, EK0			
5									BUSHING, Accelerator Pedal, Also Serviced In Item 1
	52078653AB	2	J, T			ED0, EK0			
		2	U			ED0, EK0			
-6		2							NUT, (NOT SERVICED)

**LIBERTY (KJ)**

SERIES      LINE  
H = HIGHLINE    T = JEEP - 2WD  
M = MEDIUM      J = JEEP - 4WD  
P = PREMIUM      U = JEEP - 4WD (RHD)

BODY  
74 = SPORT UTILITY 4-DR

ENGINE  
EKG = 3.7L V6 Engine  
ENR = 2.8L 4 Cyl Turbo Diesel Engine  
ENJ = 2.5L 4 Cyl 16V Turbo Diesel Engine  
ED1 = 2.4L 4 Cyl DOHC 16v SMPI Engine

TRANSMISSION  
DG6 = 4-Spd. Automatic 42RLE Transmission  
DGV = 4-Spd. Automatic VLP Transmission  
DGQ = 5-Spd Automatic 5-45RFE Transmission  
DEH = 6-Speed Manual NSG370 Transmission  
DDD = 5-Speed HD Manual Transmission  
DDK = 5-Speed HD Manual Transmission

AR = use ase required - = Non illustrated part

2006 KJ

# Group - 16

## Propeller Shafts and U-Joints

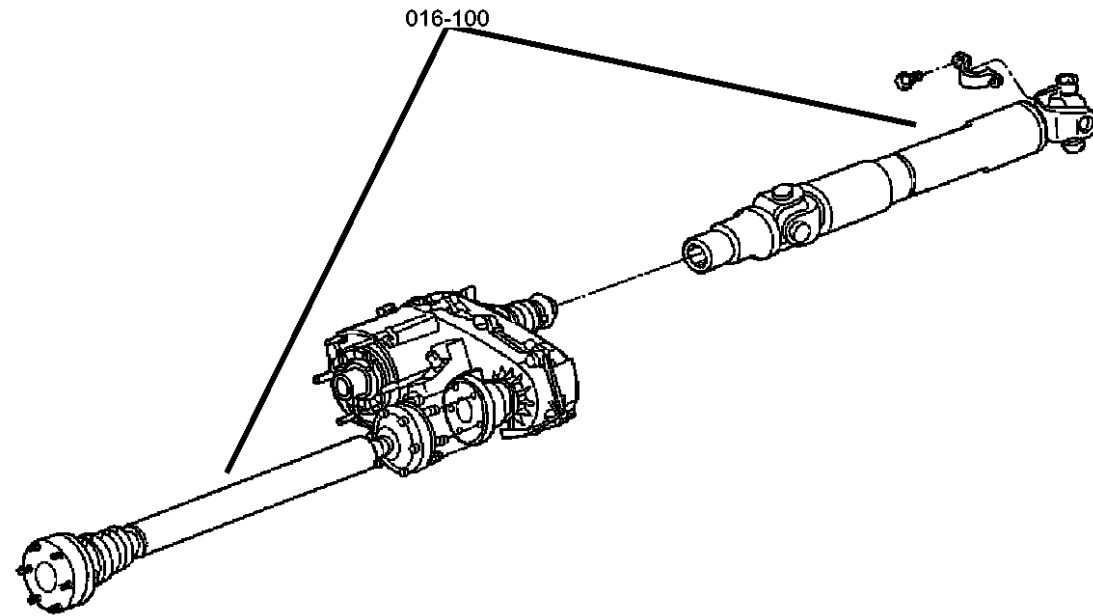
### Group - 16 Propeller Shafts and U-Joints

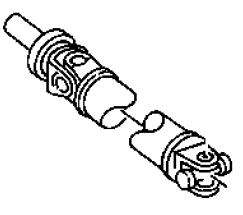
Illustration Title

Group-Fig. No.

#### Propeller Shaft

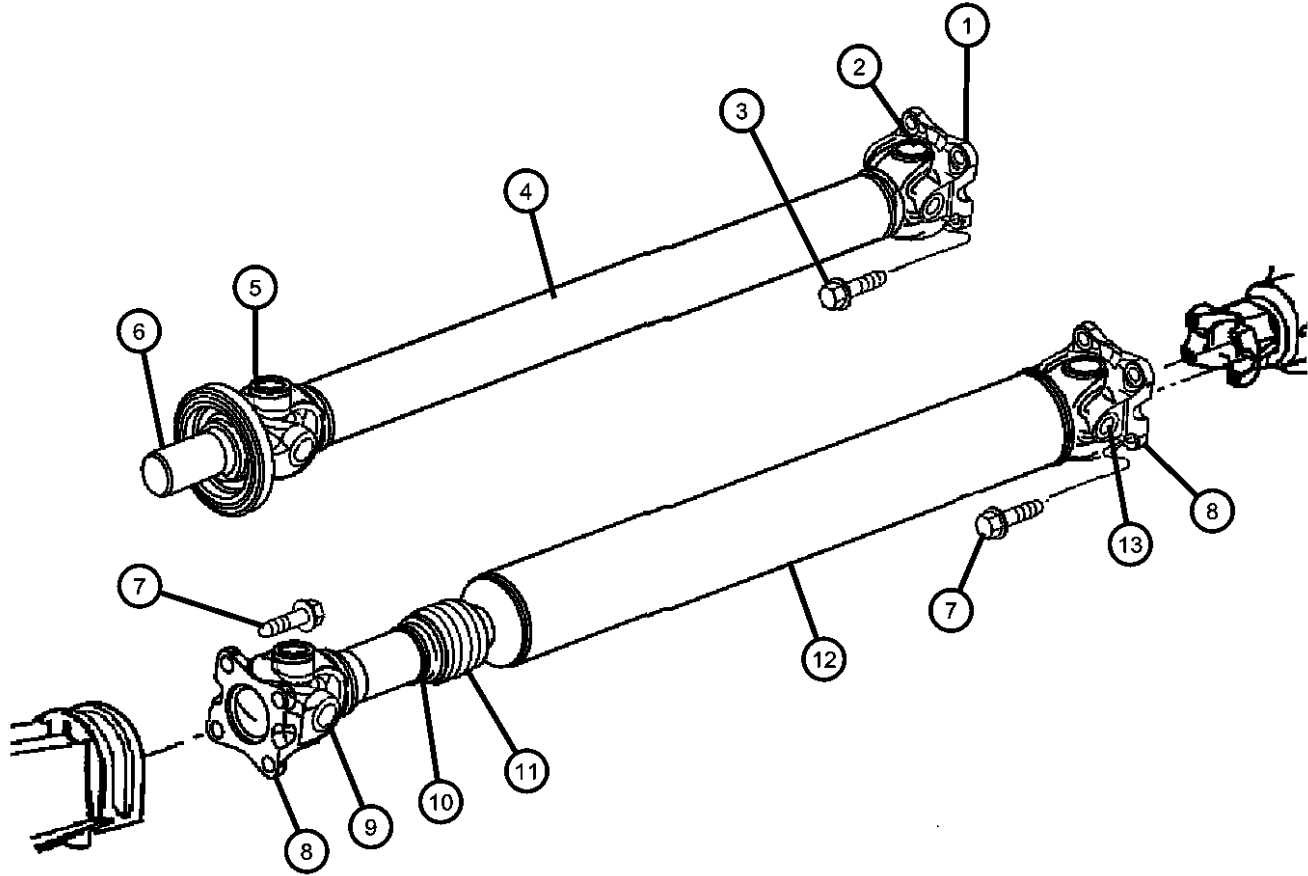
Propeller Shaft, 2 Wheel Drive..... Fig. 16 - 110  
 Propeller Shaft, 4 Wheel Drive..... Fig. 16 - 120



<p><b>016-100</b> Propeller Shaft</p> 			
--	--	--	--

**Propeller Shaft,2 Wheel Drive  
Figure 16-110**

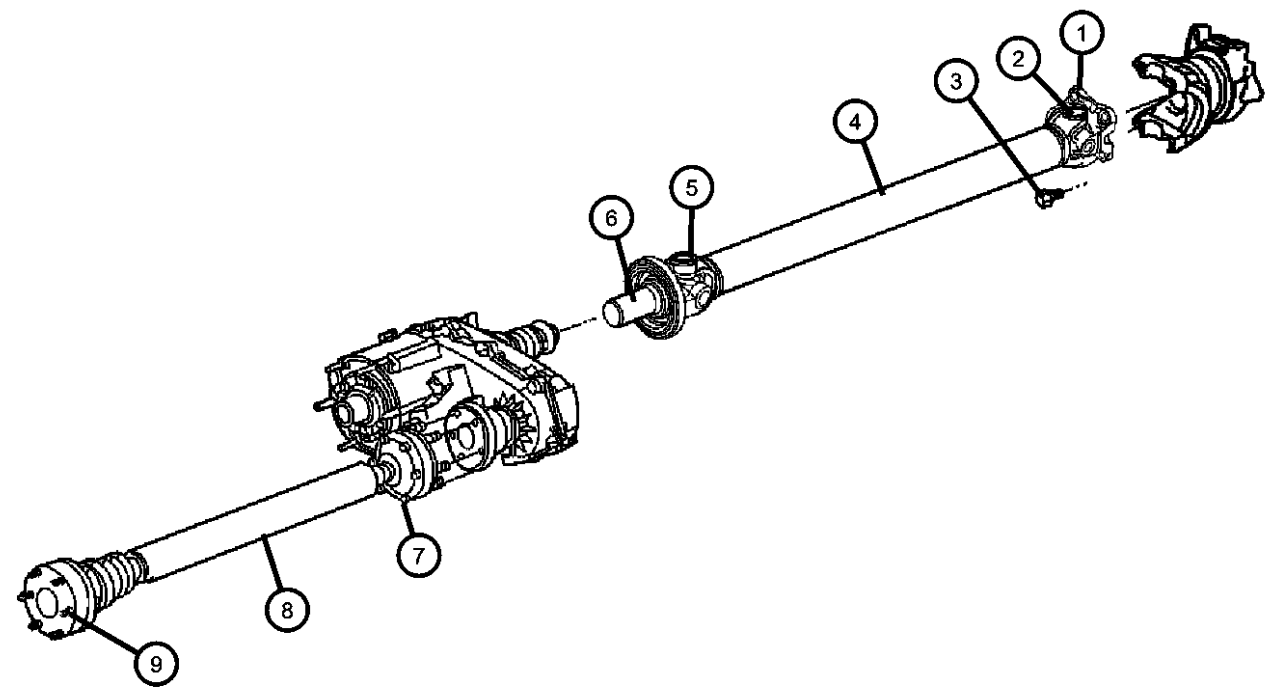
ITEM	PART NUMBER	QTY	LINE	SERIES	BODY	ENGINE	TRANS	TRIM	DESCRIPTION
1	05103372AA	1	T			EK0	DG0		FLANGE, Drive ShaftRear
2	05015694AA	2	T			EK0	DG0		U JOINTFront or Rear
3	06506497AA	4	T				DG6, DGV		BOLT, Hex Head, M12, Drive Shaft to Rear Axle Flange, Mounting
4	52853118AC	1	T			EK0	DG0		SHAFT, Drive, Rear 1-Piece
5	J3207886	4	T			EK0	DG0		RING, U Joint
6	05103210AA	1	T			EK0	DG0		YOKE, Drive Shaft
7	06506497AA	8	T				DBB		BOLT, Hex Head, M12, Drive Shaft to Rear Axle Flange, Mounting
8	05103372AA	2	T			EK0	DBB		FLANGE, Drive ShaftFront or Rear
9	J3207886	4	T			EK0	DBB		RING, U Joint
10									CLAMP, Boot
	05013625AA	1	T			EK0	DBB		Large
	05013626AA	1	T			EK0	DBB		Small
11	05083001AA	1	T			EK0	DBB		BOOT, Drive Shaft
12	52853140AC	1	T			EK0	DBB		SHAFT, Drive, Rear 1-Piece
13	05015694AA	2	T			EK0	DBB		U JOINTFront or Rear



<b>LIBERTY (KJ)</b>				
SERIES	LINE	BODY	ENGINE	TRANSMISSION
H = HIGHLINE	T = JEEP - 2WD	74 = SPORT UTILITY 4-DR	EKG = 3.7L V6 Engine	DG6 = 4-Spd. Automatic 42RLE
M = MEDIUM	J = JEEP - 4WD		ENR = 2.8L 4 Cyl Turbo Diesel Engine	Transmission
P = PREMIUM	U = JEEP - 4WD (RHD)		ENJ = 2.5L 4 Cyl 16V Turbo Diesel Engine	DGV = 4-Spd. Automatic VLP
			ED1 = 2.4L 4 Cyl DOHC 16v SMPI Engine	Transmission
				DGQ = 5-Spd Automatic 5-45RFE
				Transmission
				DEH = 6-Speed Manual NSG370
				Transmission
				DDD = 5-Speed HD Manual
				Transmission
				DDK = 5-Speed HD Manual
				Transmission

AR = use ase required - = Non illustrated part

**Propeller Shaft,4 Wheel Drive  
Figure 16-120**



ITEM	PART NUMBER	QTY	LINE	SERIES	BODY	ENGINE	TRANS	TRIM	DESCRIPTION
									FLANGE, Drive Shaft
1	05103372AA	1	J, U			EK0	DBB		[DHE], Rear
		1	J, U			EN0	DG0		[DHP,DRA], Rear
		1	J, U			EN0	DBB		[DHE,DRA], Rear
		1	J, U			EK0	DG0		[DHN,DHP], Rear
2	05014733AA	1	J, U			EK0	DBB		U JOINT
		1	J, U			EN0	DBB		[DHE], Front
	05015694AA	1	J, U			EK0	DBB		[DHE,DRA], Front
		2	J, U			EK0	DBB		[DHE], Rear
		2	J, U			EN0	DG0		[DHP,DRA], Front or Rear
		1	J, U			EN0	DBB		[DHE,DRA], Rear
		2	J, U			EK0	DG0		[DHN,DHP], Front or Rear
3	06506497AA	4	J, U						BOLT, Hex Head, M12, To Rear Axle Flange
4									SHAFT, Drive, Rear 1-Piece
	52853119AC	1	J, U			EK0	DG0		[DHN,DHP]
	52853130AD	1	J, U			EN0	DG0		[DHP,DRA]
	52853357AC	1	J, U			EK0	DBB		[DHE]
	52853362AB	1	J, U			EN0	DBB		[DHE,DRA]
5	J3207886	4	J, U			EK0	DBB		RING, U Joint
		4	J, U			EN0	DBB		[DHE]
		4	J, U			EN0	DBB		[DHE,DRA]
		4	J, U			EK0	DG0		[DHN,DHP]
		4	J, U			EN0	DG0		[DHP,DRA]
6									YOKE, Drive Shaft

**LIBERTY (KJ)**

SERIES      LINE  
H = HIGHLINE    T = JEEP - 2WD  
M = MEDIUM      J = JEEP - 4WD  
P = PREMIUM     U = JEEP - 4WD (RHD)

BODY  
74 = SPORT UTILITY 4-DR

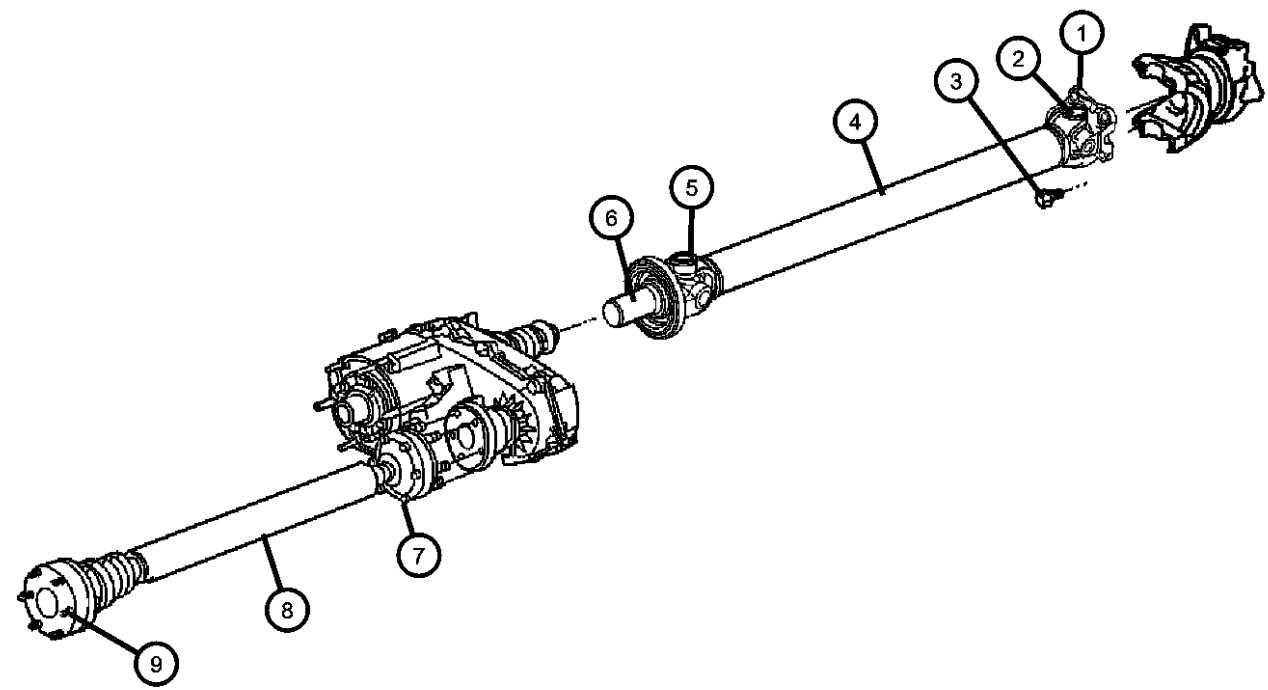
ENGINE  
EKG = 3.7L V6 Engine  
ENR = 2.8L 4 Cyl Turbo Diesel Engine  
ENJ = 2.5L 4 Cyl 16V Turbo Diesel Engine  
ED1 = 2.4L 4 Cyl DOHC 16v SMPI Engine

TRANSMISSION  
DG6 = 4-Spd. Automatic 42RLE Transmission  
DGV = 4-Spd. Automatic VLP Transmission  
DGQ = 5-Spd Automatic 5-45RFE Transmission  
DEH = 6-Speed Manual NSG370 Transmission  
DDD = 5-Speed HD Manual Transmission  
DDK = 5-Speed HD Manual Transmission

AR = use ase required - = Non illustrated part

2006 KJ

**Propeller Shaft,4 Wheel Drive  
Figure 16-120**



ITEM	PART NUMBER	QTY	LINE	SERIES	BODY	ENGINE	TRANS	TRIM	DESCRIPTION
	05014043AA	1	J, U			EK0	DBB		[DHE]
		1	J, U			EN0	DBB		[DHE,DRA]
	05093961AB	1	J, U			EK0	DG0		[DHN,DHP]
	05143207AA	1	J, U			EN0	DG0		[DHP,DRA]
7									BOLT AND WASHER, Part Number Has 1 strap and 2 Bolts To Transfer Case Yoke
	05015109AA	3	J, U			EN0	DBB		To Transfer Case Yoke
		3	J, U			EN0	DG0		To Transfer Case Yoke
		3	J, U			EK0			To Transfer Case Yoke
8									SHAFT, Drive, Front
	52111591AB	1	J, U			EN0	DBB		
	52111593AB	1	J, U			EN0	DG0		
	52111596AB	1	J, U			EK0			
9									BOLT AND WASHER, Part Number Has 1 strap and 2 Bolts To Front Axle Yoke
	05015996AA	3	J, U			EN0	DBB		To Front Axle Yoke
		3	J, U			EN0	DG0		To Front Axle Yoke
		3	J, U			EK0			To Front Axle Yoke

**LIBERTY (KJ)**

SERIES      LINE  
H = HIGHLINE    T = JEEP - 2WD  
M = MEDIUM     J = JEEP - 4WD  
P = PREMIUM    U = JEEP - 4WD (RHD)

BODY  
74 = SPORT UTILITY 4-DR

ENGINE  
EKG = 3.7L V6 Engine  
ENR = 2.8L 4 Cyl Turbo Diesel  
Engine  
ENJ = 2.5L 4 Cyl 16V Turbo  
Diesel Engine  
ED1 = 2.4L 4 Cyl DOHC 16v  
SMPI Engine

TRANSMISSION  
DG6 = 4-Spd. Automatic 42RLE  
Transmission  
DGV = 4-Spd. Automatic VLP  
Transmission  
DGQ = 5-Spd Automatic 5-45RFE  
Transmission  
DEH = 6-Speed Manual NSG370  
Transmission  
DDD = 5-Speed HD Manual  
Transmission  
DDK = 5-Speed HD Manual  
Transmission

AR = use ase required - = Non illustrated part

2006 KJ

# Group - 17

## Rear Suspension

### Group - 17 Rear Suspension

Group-Fig. No.

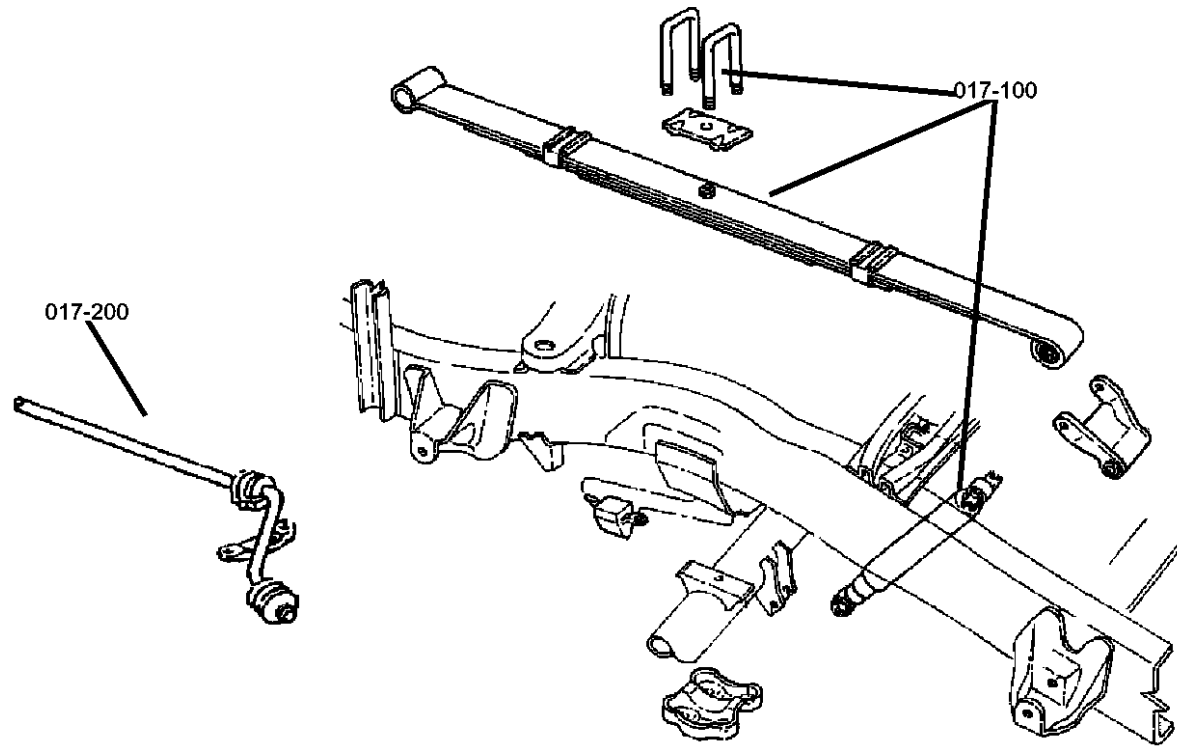
Illustration Title

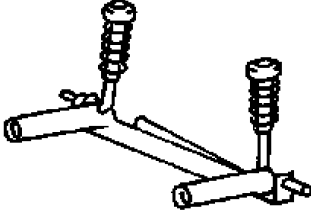
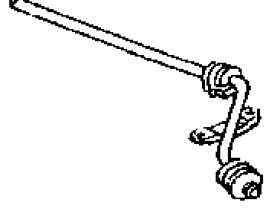
#### Rear Suspension

Suspension,Rear and Shock .....Fig. 17 - 110

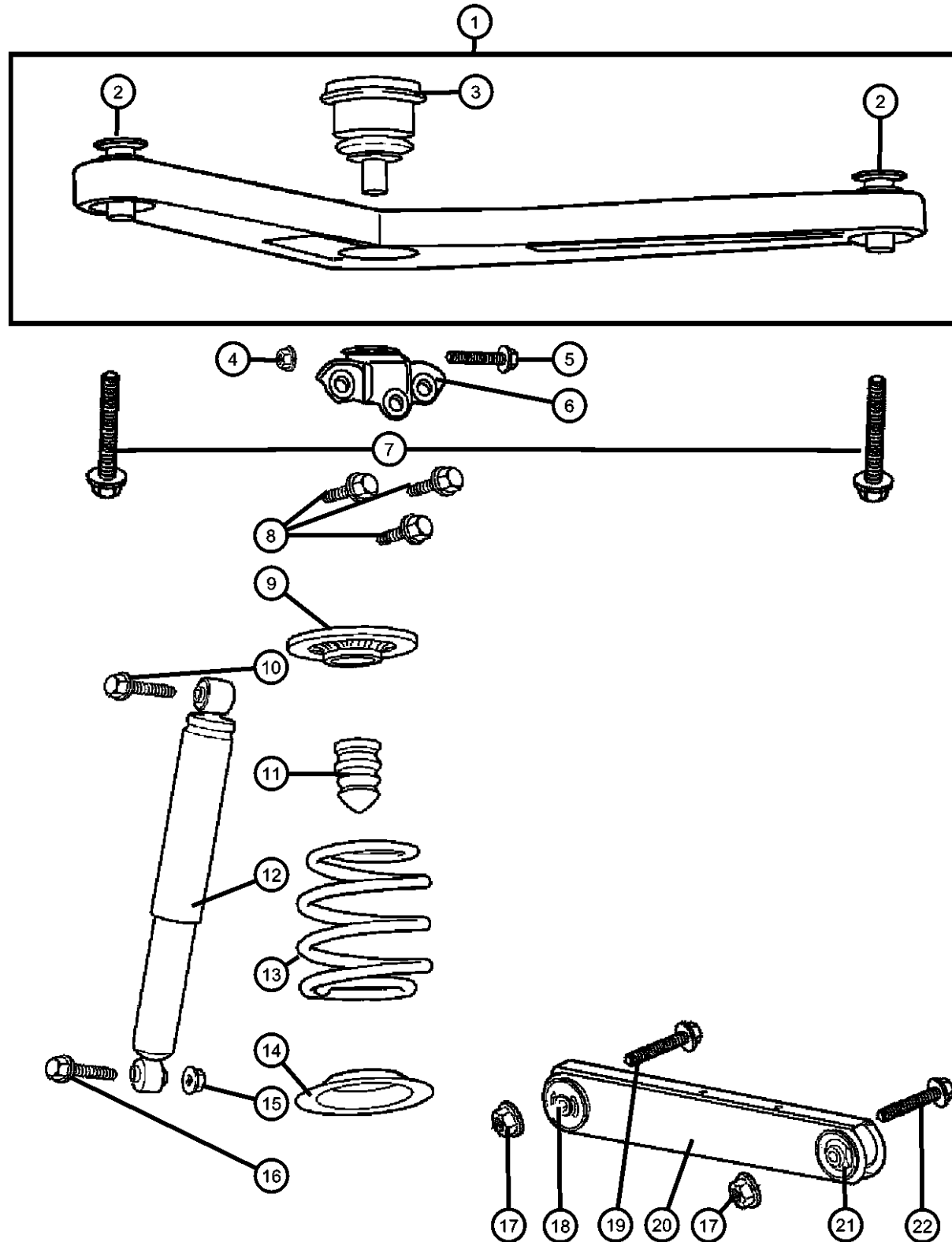
#### Rear Stabilizer

Stabilizer Bar,Rear .....Fig. 17 - 210



<p><b>017-100</b> Rear Suspension</p> 	<p><b>017-200</b> Rear Stabilizer</p> 		
--	---	--	--

Suspension,Rear and Shock  
Figure 17-110



ITEM	PART NUMBER	QTY	LINE	SERIES	BODY	ENGINE	TRANS	TRIM	DESCRIPTION
------	-------------	-----	------	--------	------	--------	-------	------	-------------

Note:Sales Codes;

[ZCT] Through [ZRV] = Spring Sales Codes will be found on Vehicle Identification Number [VIN] Sales Code Listing

1	52088901AD	1							ARM, Upper Control, Rear
2	52088425	2							BUSHING, Control Arm
3	52088647AB	1							BALL JOINT, Upper Control Arm
4	06503711	1							NUT, Hex Flange, M12x1.75, Ball Joint to Bracket, Mounting
5	06503610	2							BOLT, Hex Flange Head, M12-1.75x62.0, UCA to Axle Bracket, Mounting
6	52128586AA	1							BRACKET, Ballstud
7	06504748	2							SCREW, Hex Flange Head, M12x1.75x117, UCA to Body, Mounting
8	06505445AA	3							BOLT
9	52088707AA	2							ISOLATOR, SpringUpper
10	06506147AA	2							SCREW, Hex Flange Head, M12x1.75x80, Shock Mounting, Upper
11	52088705AE	2							BUMPER, Jounce
12	52088673AE	2							SHOCK ABSORBER, Suspension, Rear
13	0SG23161								Mopar V-Line Alternative Part
	52128869AA	1							SPRING, Suspension, Rear [ZCT,ZRT]
	52128870AA	1							[ZCU,ZRU]
	52128871AA	1							[ZCV,ZRV]
	52128872AA	1							[ZCW,ZRW]
14	52128524AA	2							ISOLATOR, SpringLower
15	06502697	2							NUT, Hex Flange Lock, M12x1.75, Shock Mounting, Lower
16	06505935AA	2							SCREW, Shock Mounting, Lower
17	06102251AA	2							NUT, M14X2
									LCA to Axle
									LCA to Body

LIBERTY (KJ)

SERIES	LINE
H = HIGHLINE	T = JEEP - 2WD
M = MEDIUM	J = JEEP - 4WD
P = PREMIUM	U = JEEP - 4WD (RHD)

BODY
74 = SPORT UTILITY 4-DR

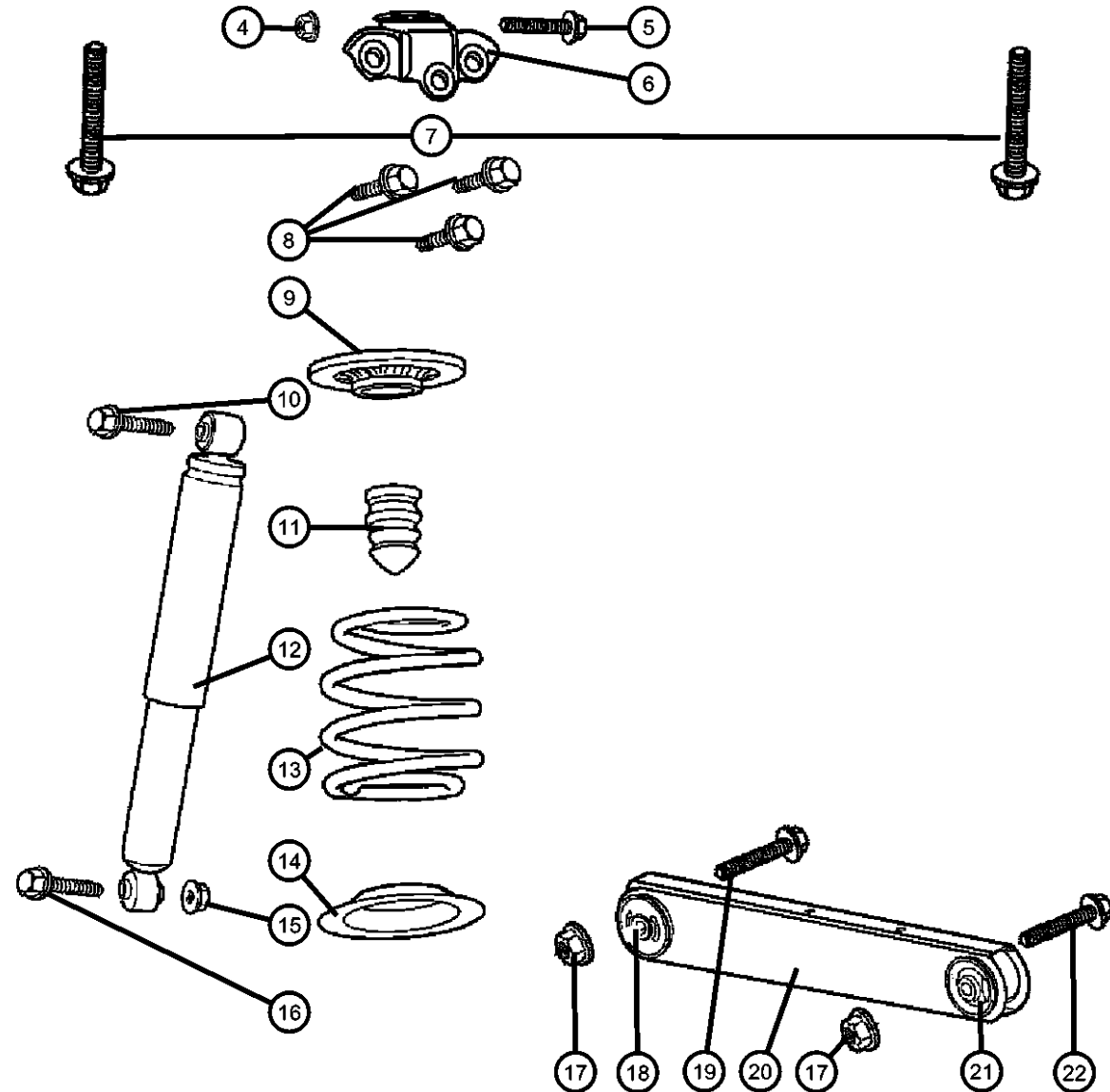
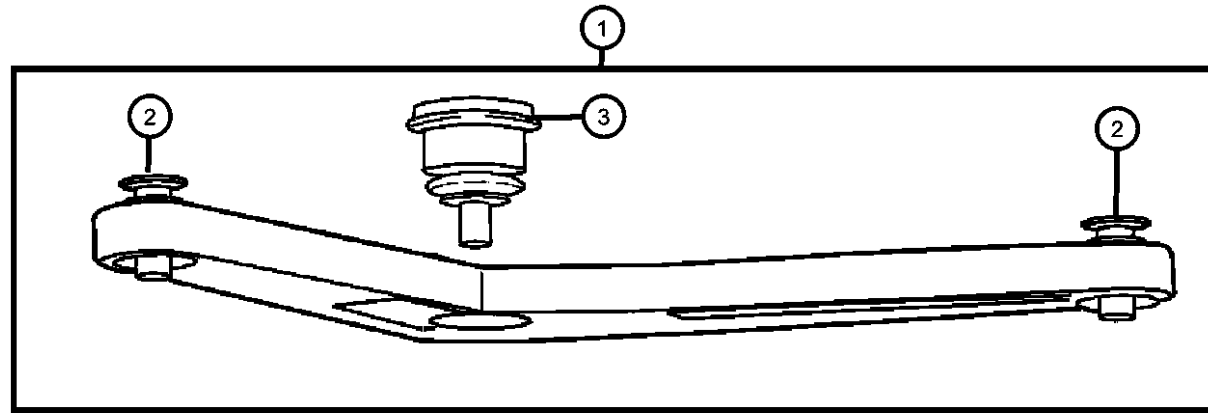
ENGINE	TRANSMISSION
EKG = 3.7L V6 Engine	DG6 = 4-Spd. Automatic 42RLE
ENR = 2.8L 4 Cyl Turbo Diesel Engine	Transmission
ENJ = 2.5L 4 Cyl 16V Turbo Diesel Engine	DGV = 4-Spd. Automatic VLP
ED1 = 2.4L 4 Cyl DOHC 16v SMPI Engine	Transmission
	DGQ = 5-Spd Automatic 5-45RFE
	Transmission
	DEH = 6-Speed Manual NSG370
	Transmission
	DDD = 5-Speed HD Manual
	Transmission
	DDK = 5-Speed HD Manual
	Transmission

AR = use ase required - = Non illustrated part

2006 KJ



Suspension,Rear and Shock  
Figure 17-110



ITEM	PART NUMBER	QTY	LINE	SERIES	BODY	ENGINE	TRANS	TRIM	DESCRIPTION
18	52129094AA	2							BUSHING, Control Arm
19	06504408	2							BOLT, LCA to Axle, Mounting
20	52128866AA	2							ARM, Lower Control, Rear, Includes Items 18,21
21	52128864AA	2							BUSHING, Control Arm, LCA to Body, Mounting
22									BOLT, Hex Flange Head
	06506033AA	2							LCA to Body-Up To 11-29-05-[M14x2.00x105.00], Mounting
	06508678AA	2	J, T, U		74				LCA to Body-From 11-30-05-[M14X2.00X110.00], Mounting

LIBERTY (KJ)

SERIES  
H = HIGHLINE  
M = MEDIUM  
P = PREMIUM

LINE  
T = JEEP - 2WD  
J = JEEP - 4WD  
U = JEEP - 4WD (RHD)

BODY  
74 = SPORT UTILITY 4-DR

ENGINE  
EKG = 3.7L V6 Engine  
ENR = 2.8L 4 Cyl Turbo Diesel Engine  
ENJ = 2.5L 4 Cyl 16V Turbo Diesel Engine  
ED1 = 2.4L 4 Cyl DOHC 16v SMPI Engine

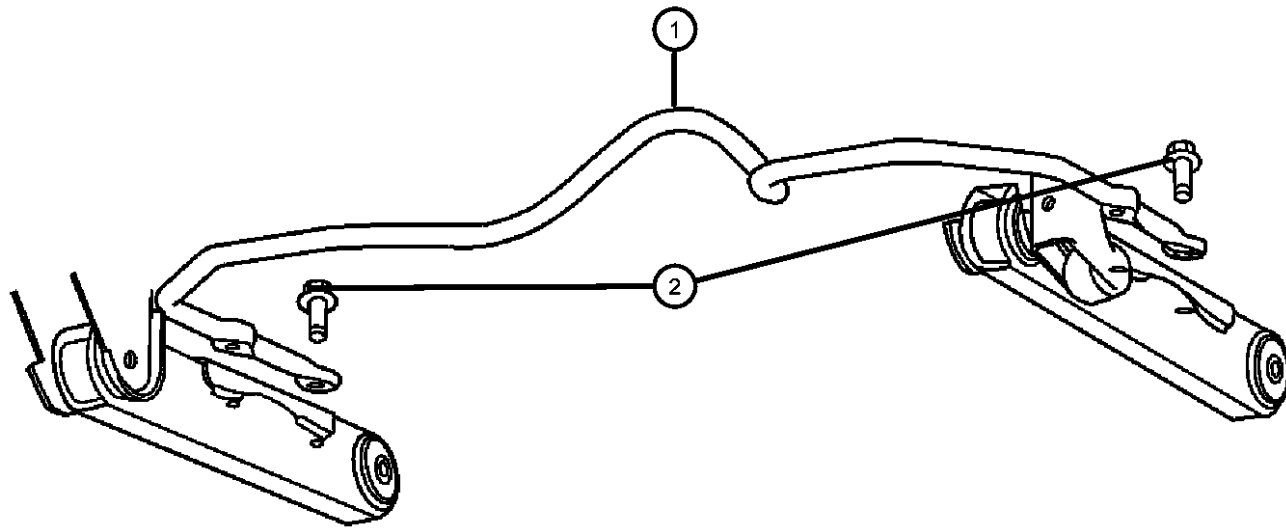
TRANSMISSION  
DG6 = 4-Spd. Automatic 42RLE Transmission  
DGV = 4-Spd. Automatic VLP Transmission  
DGQ = 5-Spd Automatic 5-45RFE Transmission  
DEH = 6-Speed Manual NSG370 Transmission  
DDD = 5-Speed HD Manual Transmission  
DDK = 5-Speed HD Manual Transmission

AR = use ase required - = Non illustrated part

2006 KJ

**Stabilizer Bar,Rear  
Figure 17-210**

ITEM	PART NUMBER	QTY	LINE	SERIES	BODY	ENGINE	TRANS	TRIM	DESCRIPTION
1	52088677AA	1							STABILIZER BAR, Rear Suspension
2	06101844	4							SCREW AND WASHER, Hex Head, M12x1.75x50, Stabilizer Bar to LCA, Mounting



**LIBERTY (KJ)**

SERIES	LINE
H = HIGHLINE	T = JEEP - 2WD
M = MEDIUM	J = JEEP - 4WD
P = PREMIUM	U = JEEP - 4WD (RHD)

BODY  
74 = SPORT UTILITY 4-DR

ENGINE	TRANSMISSION
EKG = 3.7L V6 Engine	DG6 = 4-Spd. Automatic 42RLE
ENR = 2.8L 4 Cyl Turbo Diesel Engine	DGV = 4-Spd. Automatic VLP
ENJ = 2.5L 4 Cyl 16V Turbo Diesel Engine	DGQ = 5-Spd Automatic 5-45RFE
ED1 = 2.4L 4 Cyl DOHC 16v SMPI Engine	DEH = 6-Speed Manual NSG370
	DDD = 5-Speed HD Manual
	DDK = 5-Speed HD Manual

AR = use ase required - = Non illustrated part

# Group - 19

## Steering

### Group - 19 Steering

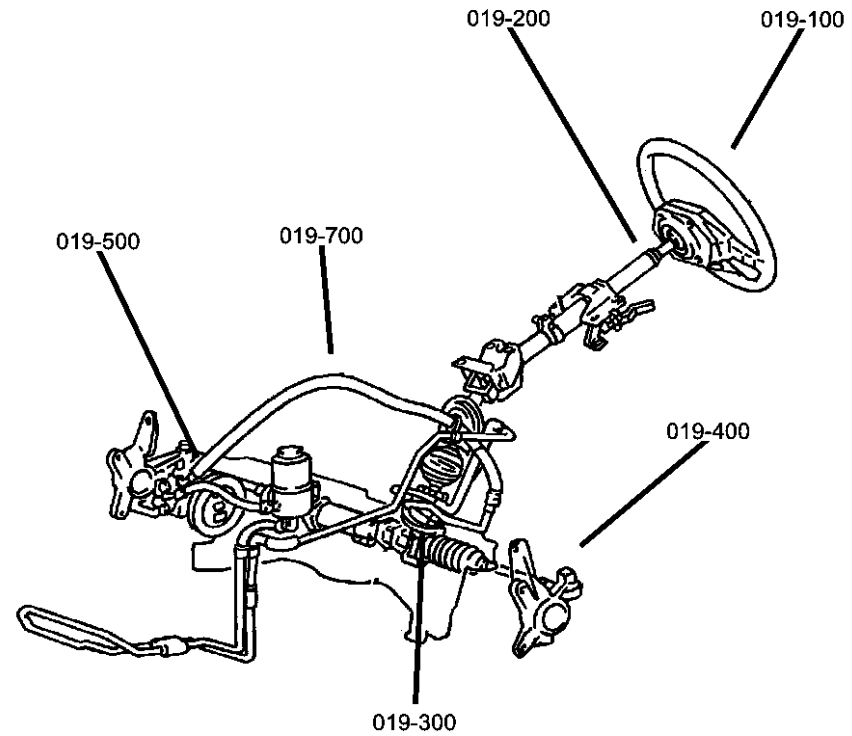


Illustration Title

Group-Fig. No.

#### Steering Wheel

Steering Wheel ..... Fig. 19 - 110

#### Steering Column

Column,Steering ..... Fig. 19 - 210

#### Steering Gear

Gear Assembly,Steering,Rack and Pinion ..... Fig. 19 - 310

#### Power Steering Pump

Pump,Power Steering 2.8L [EN0]..... Fig. 19 - 520

Pump,Power Steering 3.7L [EK0]..... Fig. 19 - 530


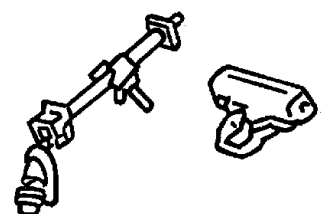
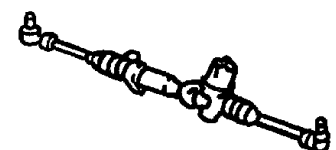
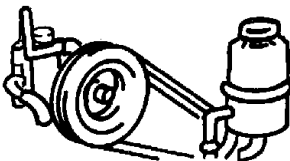
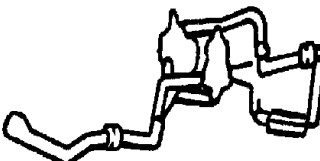
#### Power Steering Hoses

Hoses and Reservoir, LHD 2.8L [EN0] ..... Fig. 19 - 710

Hoses and Reservoir, RHD 2.8L [EN0] ..... Fig. 19 - 720

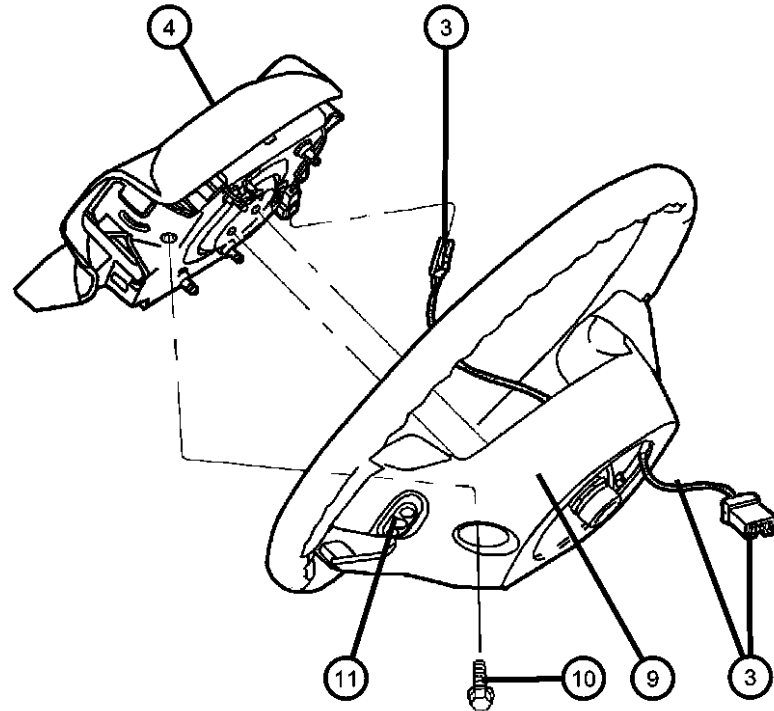
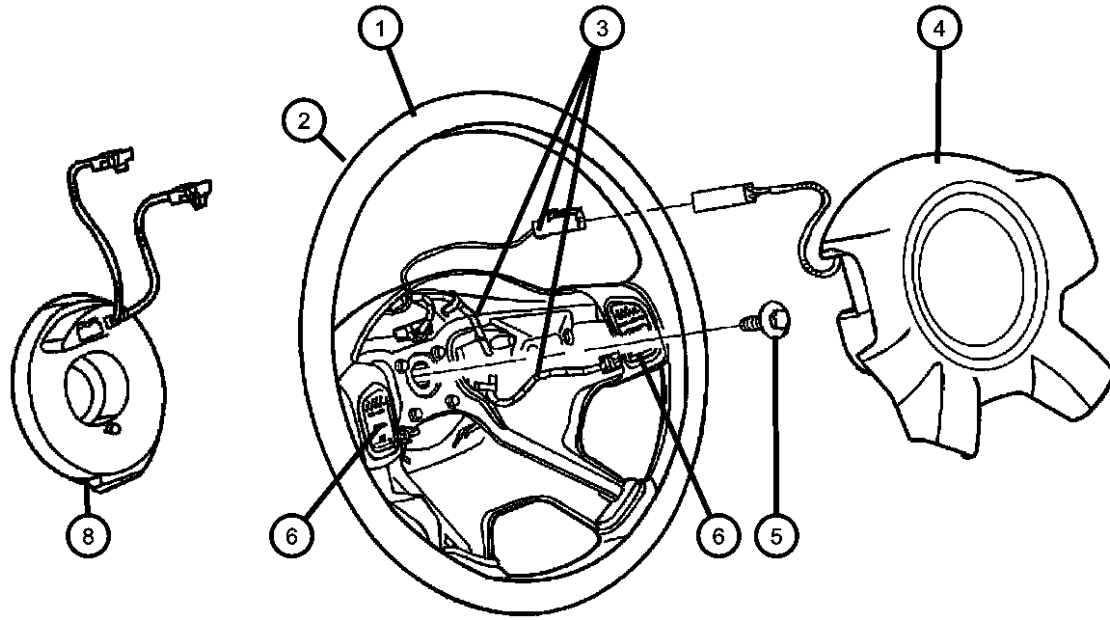
Hoses and Reservoir,LHD 3.7L [EK0] ..... Fig. 19 - 730

Hoses and Reservoir RHD 3.7L [EK0]..... Fig. 19 - 740

<p><b>019-100</b> Steering Wheel</p> 	<p><b>019-200</b> Steering Column</p> 	<p><b>019-300</b> Steering Gear</p> 	<p><b>019-500</b> Power Steering Pump</p> 
<p><b>019-700</b> Power Steering Hoses</p> 			

Steering Wheel  
Figure 19-110

ITEM	PART NUMBER	QTY	LINE	SERIES	BODY	ENGINE	TRANS	TRIM	DESCRIPTION
------	-------------	-----	------	--------	------	--------	-------	------	-------------



Note Sale Codes: SCD=Luxury Steering Wheel  
SCG=Leather Wrapped Steering Wheel  
NHM=Speed Control  
RDZ=Steering Wheel Mounted Audio Control

1	5GG25DX9AI	1							WHEEL, Steering
2	0UR671J8AE	1		P					WHEEL, Steering, Leather [J1]
	0UR671DHAE	1		P					[DB]
		1		M					[D5]
	0UR671X9AE	1		H					[00]
		1		M					[J1]
3	52029379AA	1		P					WIRING, Steering Wheel WITH CRUISE
		1		M					WITH CRUISE
		1		H					WITH CRUISE
	52029381AA	1		H					W/CRUISE AND RADIO CONTROL
		1		M					W/CRUISE AND RADIO CONTROL
		1		P					W/CRUISE AND RADIO CONTROL
	52029383AA	1							LUXURY STEERING WHEEL
4	5JS061DHAE	1		M, P					AIR BAG, Driver D5
	5JS061J8AE	1		M, P					J3
	5JS061X9AE	1		H					O0
5	06505656AA	1							SCREW, Hex Flange Head, M10x1.5x35.
6	1AZ501DHAB	1		M					SWITCH, Speed Control D5, Right
	1AZ501J8AB	1		M					J3, Right
	1AZ50DX9AB	1		H					O0, Right
	1AZ511DHAB	1		M					DB, Left

LIBERTY (KJ)

SERIES LINE BODY  
H = HIGHLINE T = JEEP - 2WD  
M = MEDIUM J = JEEP - 4WD  
P = PREMIUM U = JEEP - 4WD (RHD)

BODY  
74 = SPORT UTILITY 4-DR

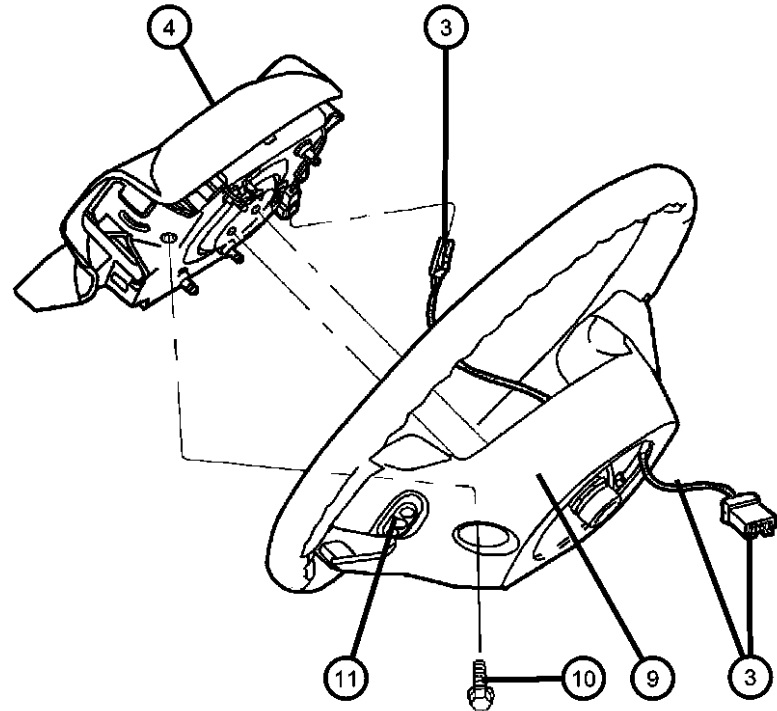
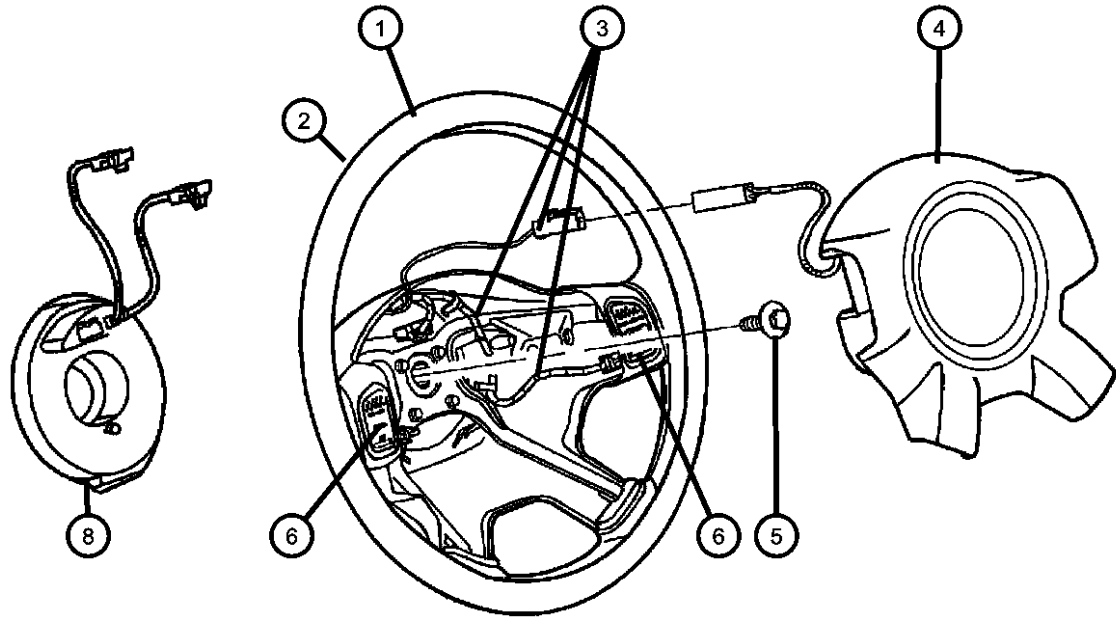
ENGINE TRANSMISSION  
EKG = 3.7L V6 Engine DG6 = 4-Spd. Automatic 42RLE  
ENR = 2.8L 4 Cyl Turbo Diesel Engine Transmission  
ENJ = 2.5L 4 Cyl 16V Turbo Diesel Engine DGV = 4-Spd. Automatic VLP  
ED1 = 2.4L 4 Cyl DOHC 16V SMPI Engine Transmission  
DGQ = 5-Spd Automatic 5-45RFE  
DEH = 6-Speed Manual NSG370 Transmission  
DDD = 5-Speed HD Manual Transmission  
DDK = 5-Speed HD Manual Transmission

AR = use ase required - = Non illustrated part

2006 KJ

Steering Wheel  
Figure 19-110

ITEM	PART NUMBER	QTY	LINE	SERIES	BODY	ENGINE	TRANS	TRIM	DESCRIPTION
	1AZ511J8AB	1		M					J1, Left
	1AZ51DX9AB	1		H					00, Left
-7									BEZEL, Steering Wheel
	5GN02DX9AA	1							Right
	5GN03DX9AA	1							Left
8									CLOCKSPRING, THIS IS A 10 CIRCUIT CLOCKSPRING WITH STEERING ANGLE.
	56010619AC	1							10 CIRCUIT W/ ELECTRONIC STABILITY PROGRAM
	56044886AC	1							10 CIRCUIT W/O ELECTRONIC STABILITY PROGRAM
9									COVER, Steering Wheel Back
	05083981AA	1							
	05086215AA	1		P					THIS COVER HAS THE HOLES FOR THE RADIO SWITCHES
		1		H					THIS COVER HAS THE HOLES FOR THE RADIO SWITCHES
		1		M					THIS COVER HAS THE HOLES FOR THE RADIO SWITCHES
	1EG941DHAA	1		M					[1DH]
		1		P					[1DH]
	1EG941J8AA	1		M					[1J8]
		1		P					[1J8]
		1	J, T, U	M	74				[1J8]
		1	J, T, U	M	74				[1DH]
	1EG941X9AA	1		H					[1X9]
10	06102141AA	1							SCREW, M6x1x25
11									SWITCH, Remote Radio
	56042313AB	1		M					Left
		1		P					Left
		1		H					Left
	56042312AB	1		H					Right



LIBERTY (KJ)

SERIES LINE BODY  
H = HIGHLINE T = JEEP - 2WD  
M = MEDIUM J = JEEP - 4WD  
P = PREMIUM U = JEEP - 4WD (RHD)

BODY  
74 = SPORT UTILITY 4-DR

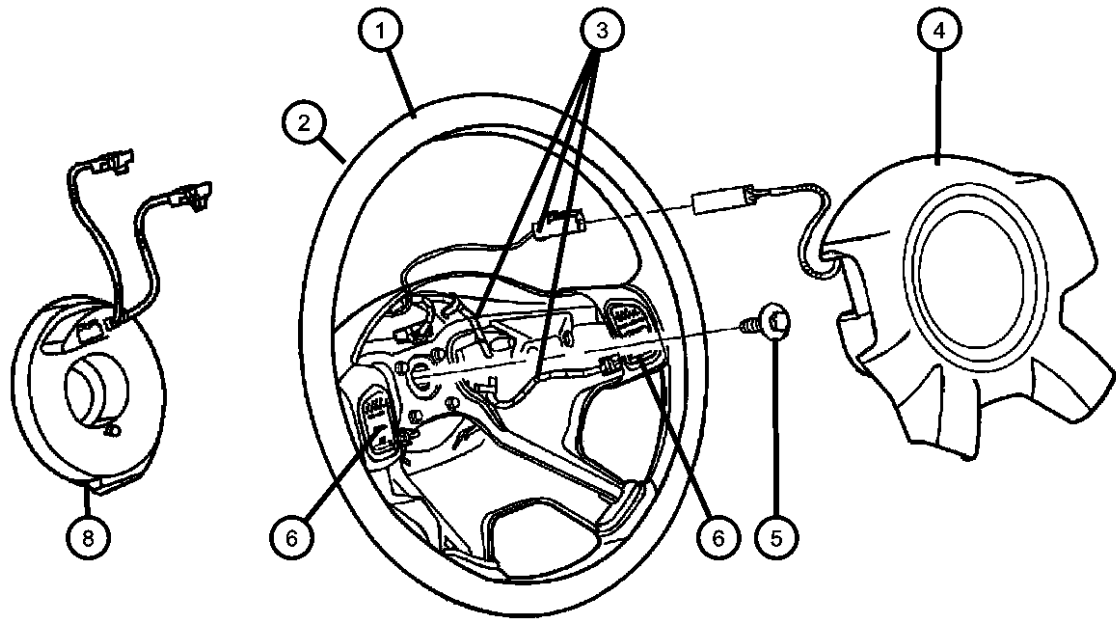
ENGINE TRANSMISSION  
EKG = 3.7L V6 Engine DG6 = 4-Spd. Automatic 42RLE  
ENR = 2.8L 4 Cyl Turbo Diesel Transmission  
Engine DGV = 4-Spd. Automatic VLP  
ENJ = 2.5L 4 Cyl 16V Turbo Transmission  
Diesel Engine DGQ = 5-Spd Automatic 5-45RFE  
ED1 = 2.4L 4 Cyl DOHC 16v Transmission  
SMPI Engine DEH = 6-Speed Manual NSG370  
Transmission  
DDD = 5-Speed HD Manual  
Transmission  
DDK = 5-Speed HD Manual  
Transmission

AR = use ase required - = Non illustrated part

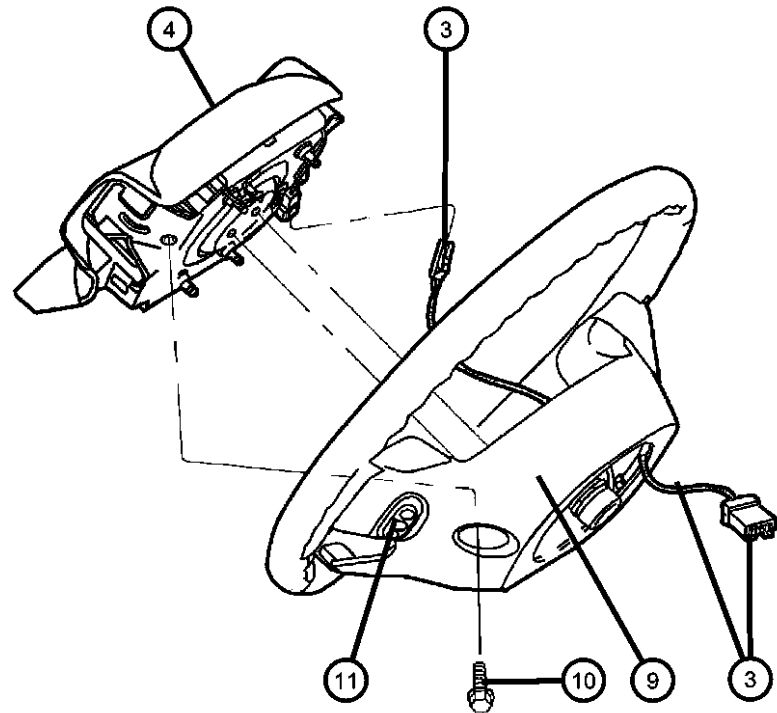
2006 KJ

Steering Wheel  
Figure 19-110

ITEM	PART NUMBER	QTY	LINE	SERIES	BODY	ENGINE	TRANS	TRIM	DESCRIPTION
------	-------------	-----	------	--------	------	--------	-------	------	-------------



		1		M					Right
		1		P					Right



LIBERTY (KJ)

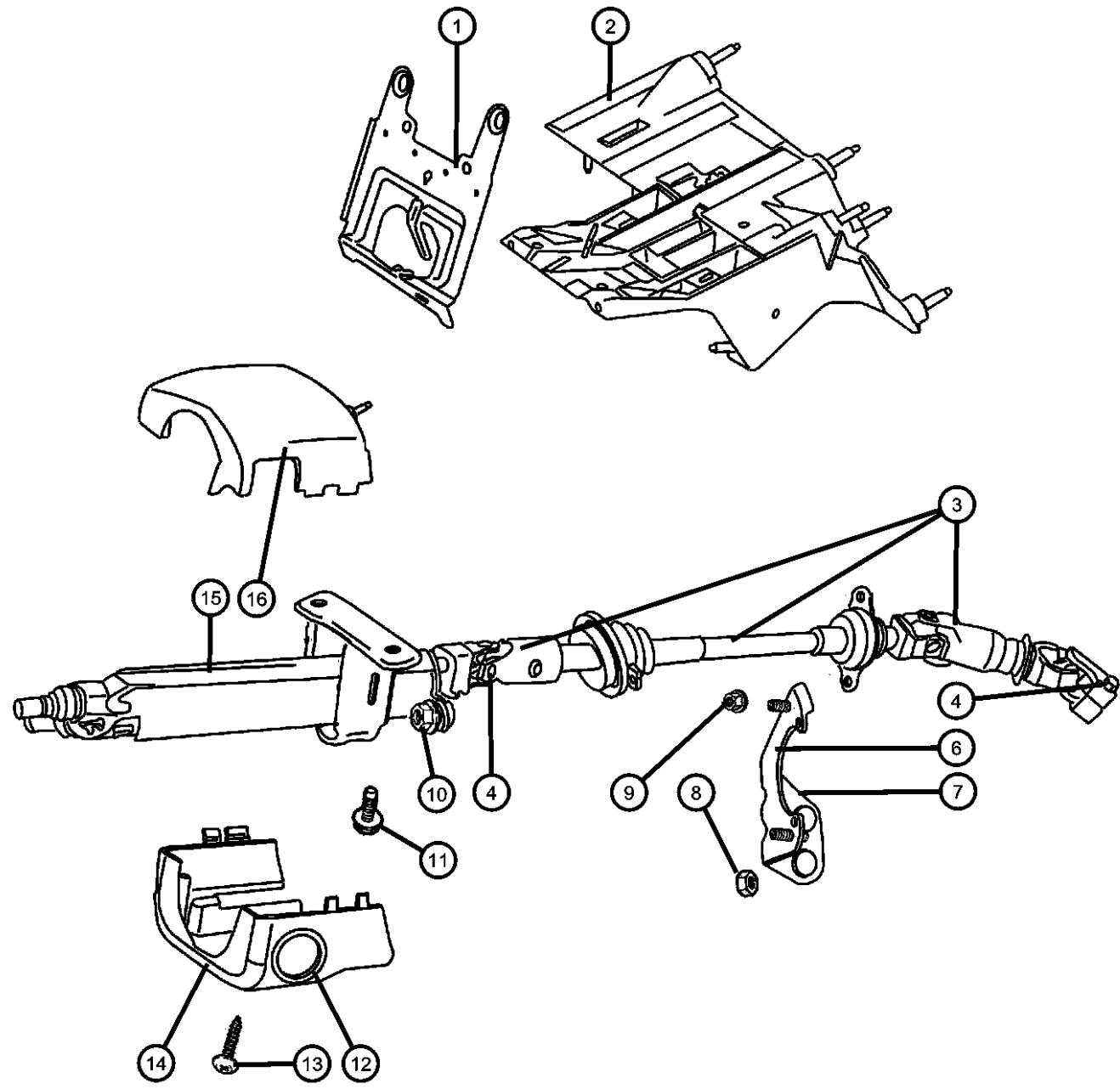
SERIES	LINE
H = HIGHLINE	T = JEEP - 2WD
M = MEDIUM	J = JEEP - 4WD
P = PREMIUM	U = JEEP - 4WD (RHD)

BODY
74 = SPORT UTILITY 4-DR

ENGINE	TRANSMISSION
EKG = 3.7L V6 Engine	DG6 = 4-Spd. Automatic 42RLE
ENR = 2.8L 4 Cyl Turbo Diesel Engine	DGV = 4-Spd. Automatic VLP
ENJ = 2.5L 4 Cyl 16V Turbo Diesel Engine	DGQ = 5-Spd Automatic 5-45RFE
ED1 = 2.4L 4 Cyl DOHC 16v SMPI Engine	DEH = 6-Speed Manual NSG370
	DDD = 5-Speed HD Manual
	DDK = 5-Speed HD Manual

AR = use ase required - = Non illustrated part

Column,Steering  
Figure 19-210

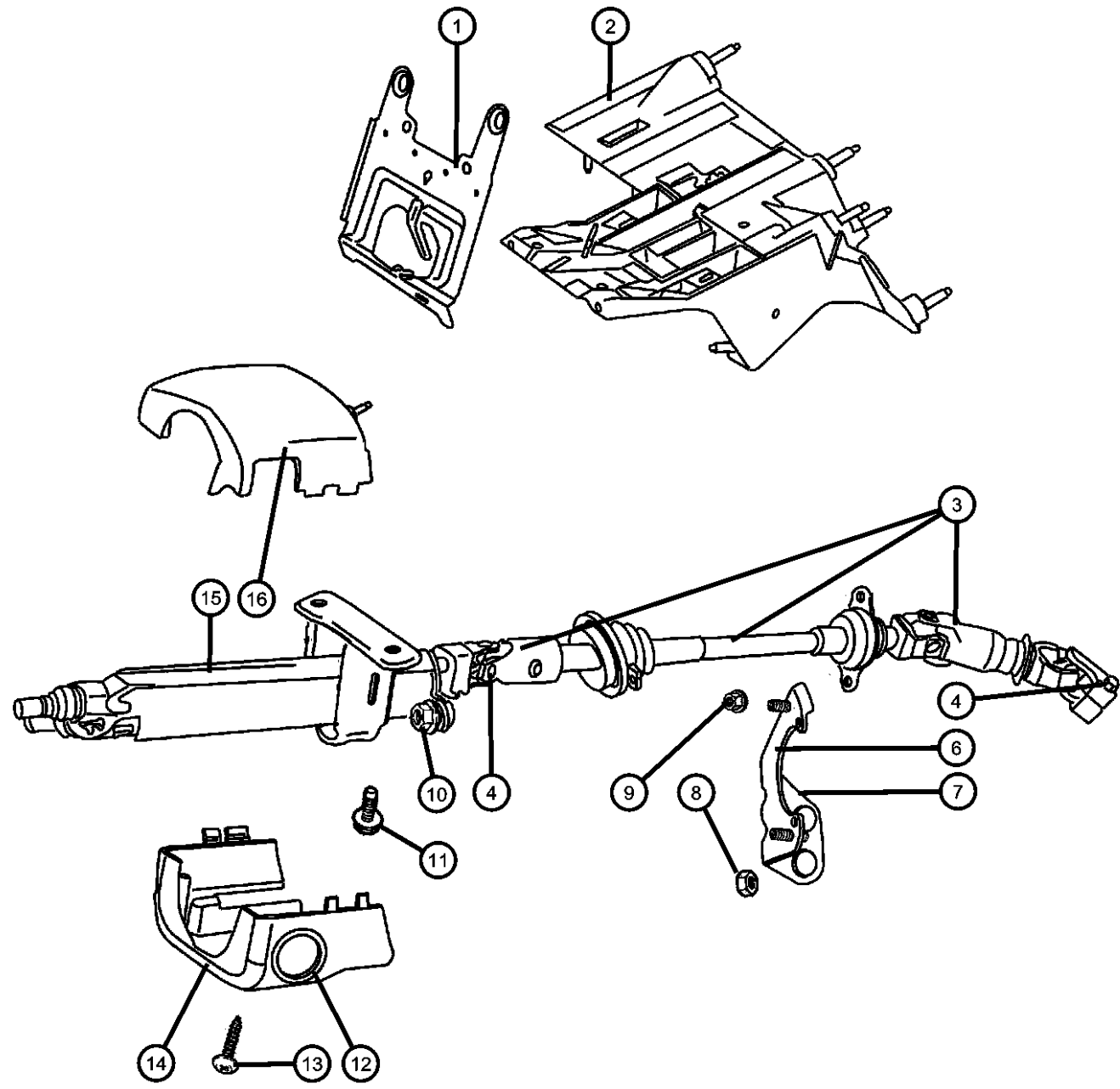


ITEM	PART NUMBER	QTY	LINE	SERIES	BODY	ENGINE	TRANS	TRIM	DESCRIPTION
Note:Sales Codes; SBA=Power Rack and Pinion Steering SUA=Tilt Steering Column									
1	55314992AB	1	J, T						BRACKET, Steering Column
	55315011AB	1	U						
2	55314987AB	1	J, T						BRACKET, Steering Column
	55314988AB	1	U						
3	55315022AE	1	J, T						SHAFT, Intermediate
	55315024AD	1	U			ED0, EKO			
	55315057AC	1	U			EN0			Upper
	55315058AA	1	U			EN0			Lower
4	06504926AA	2							SCREW, Hex Flange Head, M10x1.5x40
-5	06502808	2	U						SCREW, M6x1x25, Intermediate Shaft Bracket
6	55315003AB	1	J, T						BRACKET, Intermediate Shaft
7	55315009AA	1	U						BRACKET, Steering Column
8	06100048	2							NUT, Hex, M6x1.00
9	06100516	2							NUT, Hex Flange Lock, M6 Phosphate, Bearing to Bracket
10	06503182	2							NUT AND WASHER, Hex Lock Nut-Coned Teeth Washer, M8 x 1.25
11	06506128AA	2							SCREW AND WASHER, Hex Head
12	06506128AA	2							TRIM RING, Ignition Key Cylinder, (NOT SERVICED)
13	06036381AA	2	U						SCREW AND WASHER, Pan Head
		2	J, T						
14	5GE04DX9AB	1		H			DBB		SHROUD, Steering Column, Lower [00] Black, Lower

<b>LIBERTY (KJ)</b>					
SERIES	LINE	BODY	ENGINE	TRANSMISSION	
H = HIGHLINE	T = JEEP - 2WD	74 = SPORT UTILITY 4-DR	EKG = 3.7L V6 Engine	DG6 = 4-Spd. Automatic 42RLE	
M = MEDIUM	J = JEEP - 4WD		ENR = 2.8L 4 Cyl Turbo Diesel Engine	Transmission	
P = PREMIUM	U = JEEP - 4WD (RHD)		ENJ = 2.5L 4 Cyl 16V Turbo Diesel Engine	DGV = 4-Spd. Automatic VLP	
			ED1 = 2.4L 4 Cyl DOHC 16v SMPI Engine	Transmission	
				DGQ = 5-Spd Automatic 5-45RFE	
				Transmission	
				DEH = 6-Speed Manual NSG370	
				Transmission	
				DDD = 5-Speed HD Manual	
				Transmission	
				DDK = 5-Speed HD Manual	
				Transmission	

AR = use ase required - = Non illustrated part

Column, Steering  
Figure 19-210



ITEM	PART NUMBER	QTY	LINE	SERIES	BODY	ENGINE	TRANS	TRIM	DESCRIPTION
	5GE04XD-HAB	1		M, P			DBB		[D5] SlateGray, Lower
	5GE04ZJ8AB	1		M, P			DBB		[J1] DK Khaki, Lower
	5GE08DX9AB	1		H			DG0		[00] Black, Lower
	5GE08XD-HAB	1		M, P			DG0		[D5] SlateGray, Lower
	5GE08ZJ8AB	1		M, P			DG0		[J1] DK Khaki, Lower
15									COLUMN, Steering, Tilt
	05057079AB	1					DG0		Without [ABB] & [DG0]
	05057080AB	1					DBB		Without [ABB] & [DBB]
	05057081AB	1					DG0		With [ABB] & [DG0]
	05057082AB	1					DBB		With [ABB] & [DBB]
16									SHROUD, Steering Column, Upper
	1CA79DX9AC	1		H			DBB		[00] BLACK
	1CA79XD-HAC	1		M, P			DG0		[D5] SLATE GRAY
	1CA79ZJ8AC	1		M, P			DG0		[J1] DK. KHAKI
	5GK59DX9AD	1		H			DG0		[00] BLACK
	5GK59XD-HAD	1		M, P			DBB		[D5] SLATE GRAY
	5GK59ZJ8AD	1		M, P			DBB		[J3] DK. KHAKI

LIBERTY (KJ)

SERIES      LINE  
H = HIGHLINE    T = JEEP - 2WD  
M = MEDIUM     J = JEEP - 4WD  
P = PREMIUM    U = JEEP - 4WD (RHD)

BODY  
74 = SPORT UTILITY 4-DR

ENGINE  
EKG = 3.7L V6 Engine  
ENR = 2.8L 4 Cyl Turbo Diesel Engine  
ENJ = 2.5L 4 Cyl 16V Turbo Diesel Engine  
ED1 = 2.4L 4 Cyl DOHC 16v SMPI Engine

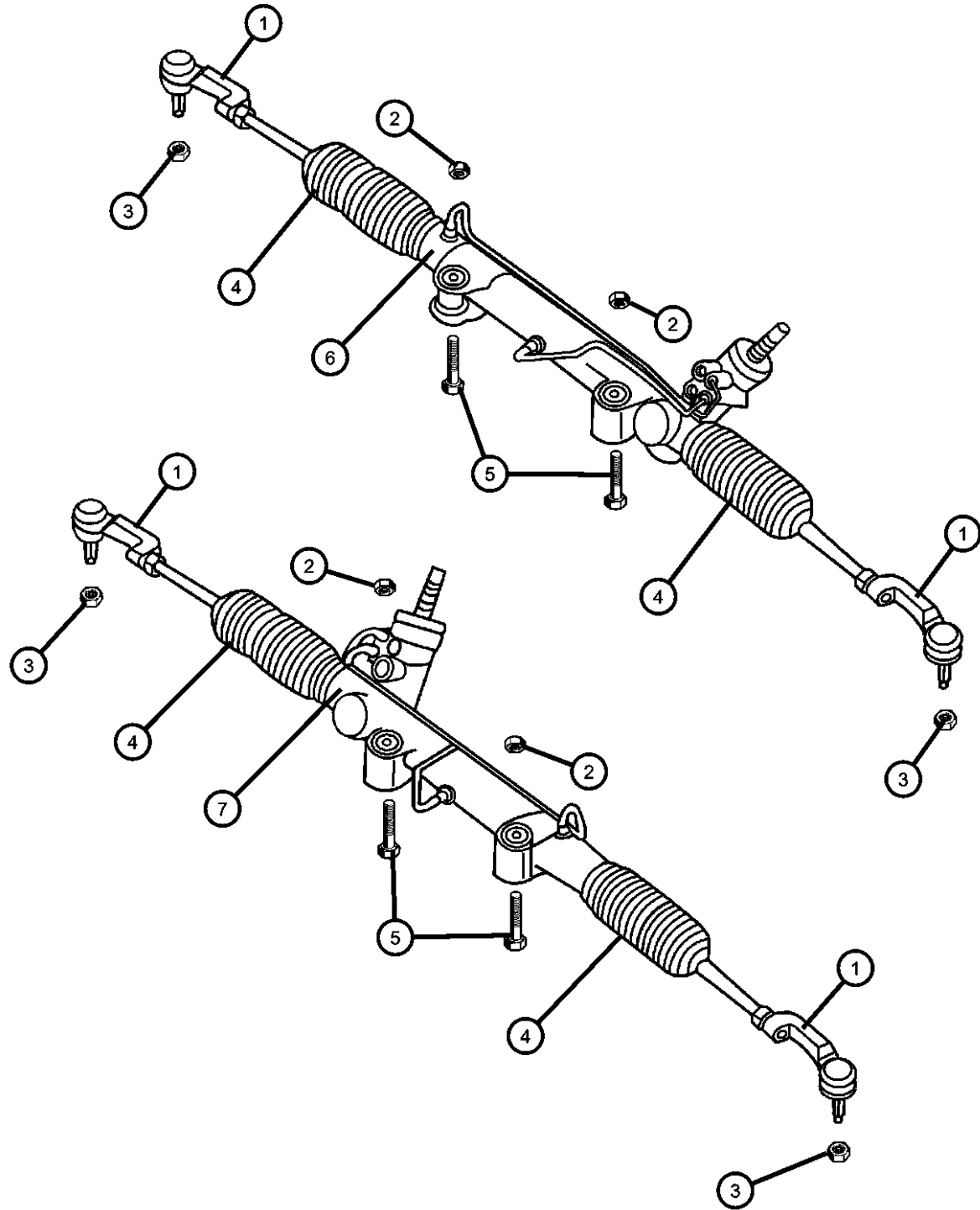
TRANSMISSION  
DG6 = 4-Spd. Automatic 42RLE Transmission  
DGV = 4-Spd. Automatic VLP Transmission  
DGQ = 5-Spd Automatic 5-45RFE Transmission  
DEH = 6-Speed Manual NSG370 Transmission  
DDD = 5-Speed HD Manual Transmission  
DDK = 5-Speed HD Manual Transmission

AR = use ase required - = Non illustrated part

2006 KJ



**Gear Assembly,Steering,Rack and Pinion**  
**Figure 19-310**



ITEM	PART NUMBER	QTY	LINE	SERIES	BODY	ENGINE	TRANS	TRIM	DESCRIPTION
------	-------------	-----	------	--------	------	--------	-------	------	-------------

Note:Sales Codes

[ED0]=Engines - All 2.2, 2.5, 2.4L 4 Cylinder Gas

[EK0]=Engines - All 3.7L 6 Cylinder Gas

[EN0]=Engines - All 4/5 Cylinder Turbo Diesel

1									END, Tie Rod
	05189419AA	1	J, T						Left Side
		1	U			EK0			Left Side
		1	U			EN0			Left Side
	68003671AA	1	U		74	EN0			Right Side
		1	J, T		74				Right Side
		1	U		74	EK0			Right Side
2	06504707	2							NUT, Gear to Cradle
3	06505623AA	2							NUT AND WASHER, Tie Rod, Mounting
4									BOOT KIT, Steering Gear
	05189417AA	1	J, T						
		1	U			EK0			
		1	U			EN0			
5	06506517AA	2							BOLT AND WASHER, Gear to Cradle
6	52109970AA	1	J, T						RACK, Steering Gear
7									RACK, Steering Gear
	52109971AA	1	U			EK0			
	52109972AA	1	U			EN0			
-8	52128548AA	1	U			EN0			FITTING, Quick Connect

**LIBERTY (KJ)**

SERIES      LINE  
H = HIGHLINE    T = JEEP - 2WD  
M = MEDIUM     J = JEEP - 4WD  
P = PREMIUM    U = JEEP - 4WD (RHD)

BODY  
74 = SPORT UTILITY 4-DR

ENGINE      TRANSMISSION  
EKG = 3.7L V6 Engine      DG6 = 4-Spd. Automatic 42RLE  
ENR = 2.8L 4 Cyl Turbo Diesel      Transmission  
Engine      DGV = 4-Spd. Automatic VLP  
ENJ = 2.5L 4 Cyl 16V Turbo      Transmission  
Diesel Engine      DGQ = 5-Spd Automatic 5-45RFE  
ED1 = 2.4L 4 Cyl DOHC 16v      Transmission  
SMPI Engine      DEH = 6-Speed Manual NSG370  
Transmission  
DDD = 5-Speed HD Manual  
Transmission  
DDK = 5-Speed HD Manual  
Transmission

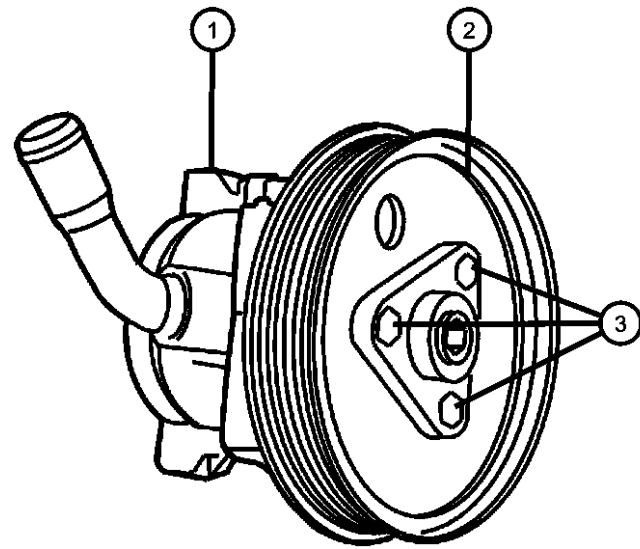
AR = use ase required    - = Non illustrated part

2006 KJ

**Pump,Power Steering 2.8L [EN0]  
Figure 19-520**

ITEM	PART NUMBER	QTY	LINE	SERIES	BODY	ENGINE	TRANS	TRIM	DESCRIPTION
------	-------------	-----	------	--------	------	--------	-------	------	-------------

Note:Sales Codes;  
[DBB]=Transmissions - All Manual  
[EN0]=Engines - All 4/5 Cylinder Turbo Diesel



1									PUMP, Power Steering
	52088712AC	1				EN0	DG0		
	05166226AA								Mopar Power Steering Fluid Pint
		1				EN0	DBB		High Temperature
	05166226AA								Mopar Power Steering Fluid Pint
2	05072441AA	1				EN0	DG0		PULLEY, Power Steering Pump
3									BOLT
	05003554AB	1				EN0	DG0		
		1				EN0	DBB		
-4									BRACKET, Tensioner
	05093935AA	1				EN0	DG0		
		1				EN0	DBB		
-5									SCREW
	05066986AA	1				EN0	DBB		
		1				EN0	DG0		
-6									BRACKET, Power Steering
	52089289AA	1		J		EN0			
		1		U		EN0			

**LIBERTY (KJ)**

SERIES      LINE  
H = HIGHLINE    T = JEEP - 2WD  
M = MEDIUM     J = JEEP - 4WD  
P = PREMIUM    U = JEEP - 4WD (RHD)

BODY  
74 = SPORT UTILITY 4-DR

ENGINE      TRANSMISSION  
EKG = 3.7L V6 Engine      DG6 = 4-Spd. Automatic 42RLE  
ENR = 2.8L 4 Cyl Turbo Diesel      Transmission  
Engine      DGV = 4-Spd. Automatic VLP  
ENJ = 2.5L 4 Cyl 16V Turbo      Transmission  
Diesel Engine      DGQ = 5-Spd Automatic 5-45RFE  
ED1 = 2.4L 4 Cyl DOHC 16v      Transmission  
SMPI Engine      DEH = 6-Speed Manual NSG370  
Transmission  
DDD = 5-Speed HD Manual  
Transmission  
DDK = 5-Speed HD Manual  
Transmission

AR = use ase required - = Non illustrated part

2006 KJ

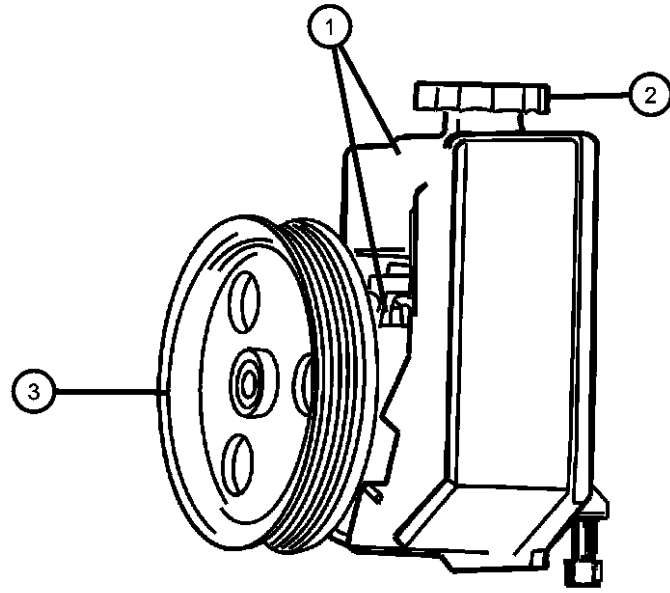
**Pump,Power Steering 3.7L [EK0]  
Figure 19-530**

ITEM	PART NUMBER	QTY	LINE	SERIES	BODY	ENGINE	TRANS	TRIM	DESCRIPTION
------	-------------	-----	------	--------	------	--------	-------	------	-------------

Note:Sales Codes:

[EK0]=Engines - All 3.7L 6 Cylinder Gas

1	52088710AE 05166226AA	1				EK0			PUMP, Power Steering Mopar Power Steering Fluid Pint
2	52128513AA	1				EK0			CAP, Power Steering Reservoir
3	53010258AC	1				EK0			PULLEY, Power Steering Pump
-4	06102045AA	3				EK0			SCREW AND WASHER, Hex Head, Power Steering Pump Mounting



**LIBERTY (KJ)**

SERIES	LINE
H = HIGHLINE	T = JEEP - 2WD
M = MEDIUM	J = JEEP - 4WD
P = PREMIUM	U = JEEP - 4WD (RHD)

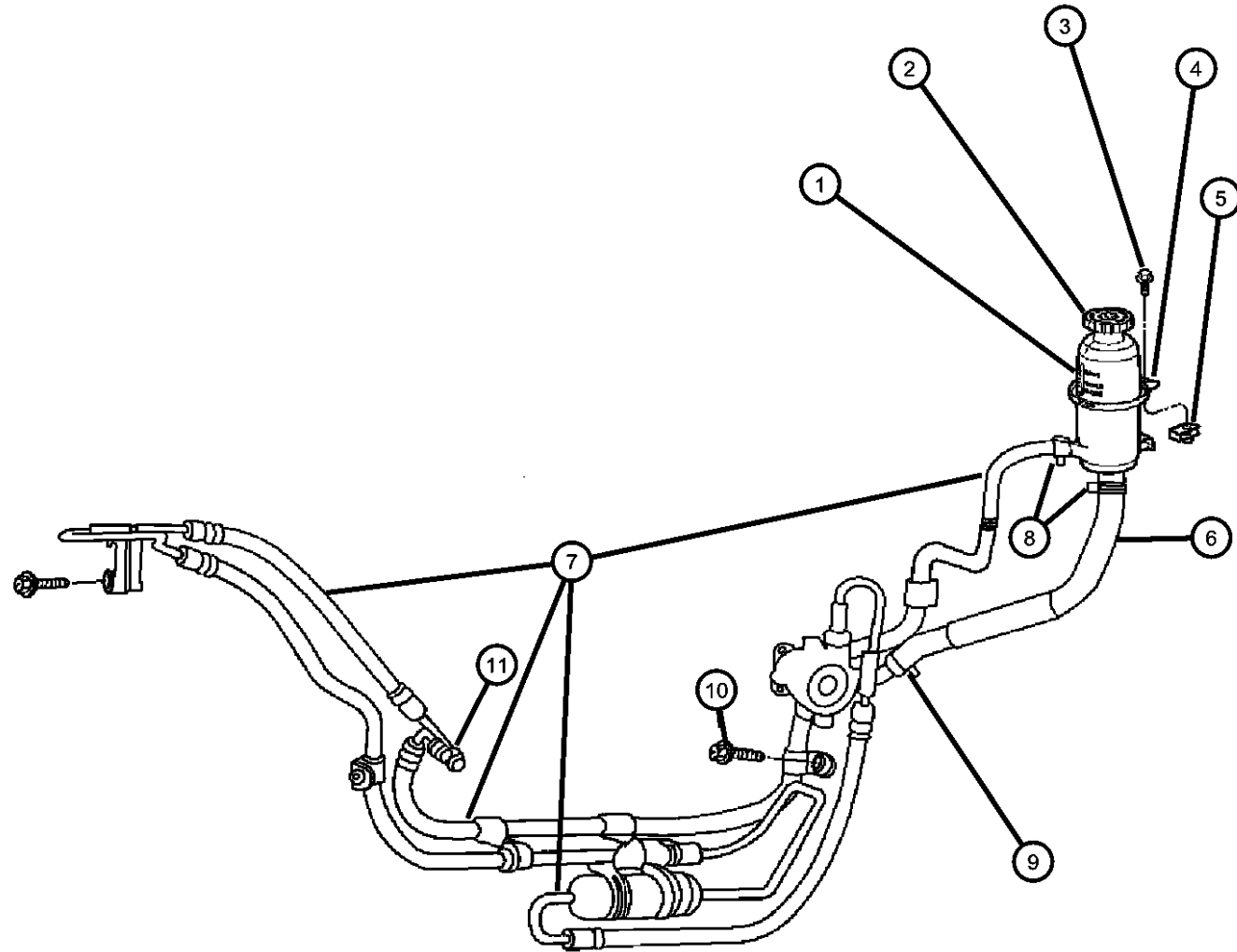
BODY
74 = SPORT UTILITY 4-DR

ENGINE	TRANSMISSION
EKG = 3.7L V6 Engine	DG6 = 4-Spd. Automatic 42RLE
ENR = 2.8L 4 Cyl Turbo Diesel Engine	Transmission
ENJ = 2.5L 4 Cyl 16V Turbo Diesel Engine	DGV = 4-Spd. Automatic VLP
ED1 = 2.4L 4 Cyl DOHC 16v SMPI Engine	Transmission
	DGQ = 5-Spd Automatic 5-45RFE
	Transmission
	DEH = 6-Speed Manual NSG370
	Transmission
	DDD = 5-Speed HD Manual
	Transmission
	DDK = 5-Speed HD Manual
	Transmission

AR = use ase required - = Non illustrated part

2006 KJ

Hoses and Reservoir, LHD 2.8L [EN0]  
Figure 19-710



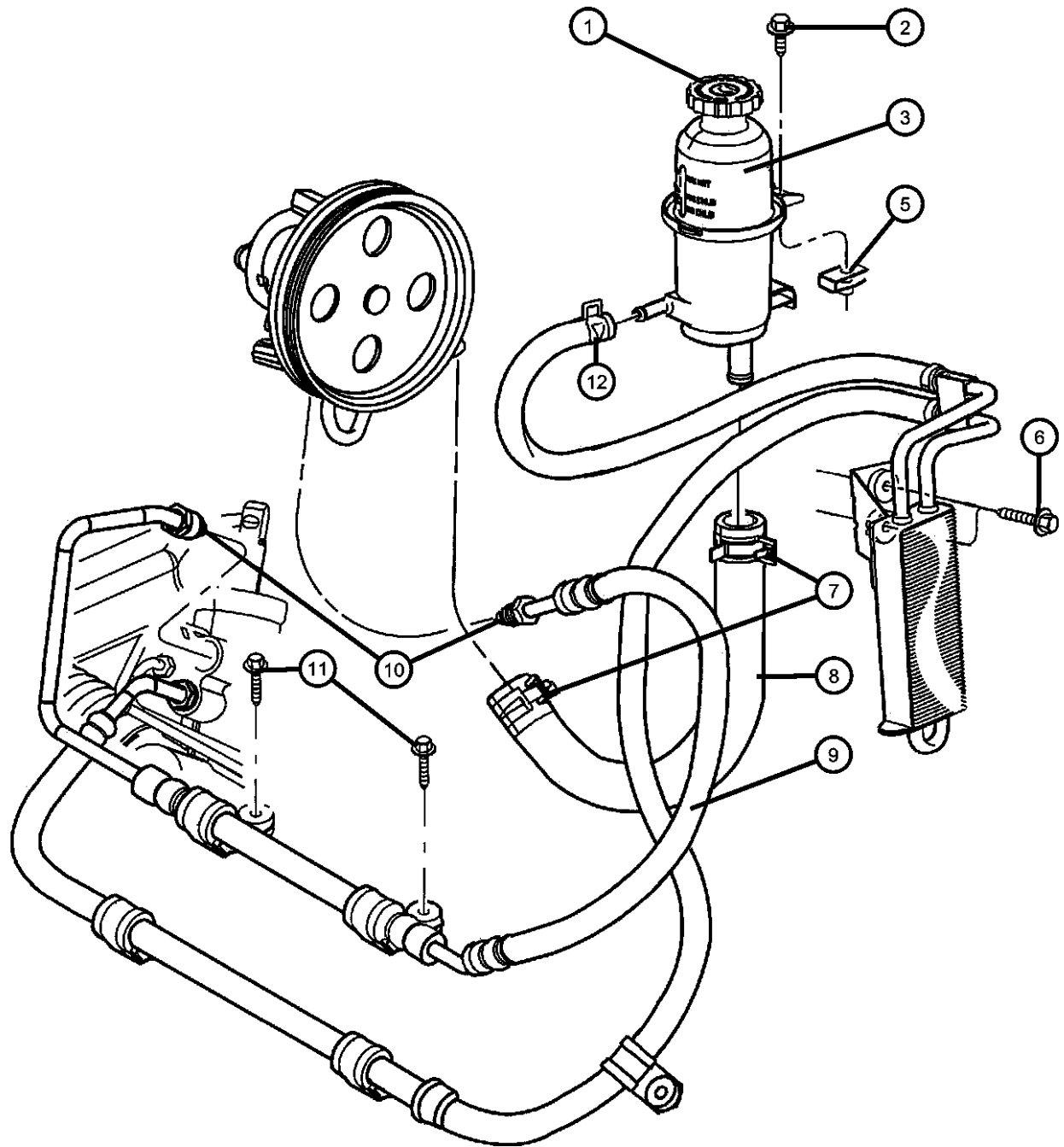
ITEM	PART NUMBER	QTY	LINE	SERIES	BODY	ENGINE	TRANS	TRIM	DESCRIPTION
Note: Sales Codes; [EN0]=Engines - All 4/5 Cylinder Turbo Diesel									
1	52088713AA	1				EN0			RESERVOIR, Power Steering Pump, Includes Item 3
2	52128513AA	1				EN0			CAP, Power Steering Reservoir
3	06102132AA	1				EN0			SCREW, Hex Head, M6x1x20, Reservoir to Bracket
4	52088874AD	1				EN0			BRACKET, Power Steering Reservoir
5	06502726	3				EN0			NUT
6	52088719AE	1				EN0			HOSE, Power Steering Reservoir, Includes Item 8, Reservoir To Pump
7	52129342AD	1	J			EN0			HOSE ASSEMBLY, P/S PRESSURE AND RETURN
8	06504217	1	J			EN0			CLAMP, Hose, M18.5, P/S Return Hose to Reservoir
9	06502018	2				EN0			CLAMP, Hose, M28.9 x 1.60
10	06502018	2				EN0			SCREW, Hex Head, M6x1x35, (NOT SERVICED)
11	05205254	1	J			EN0			O RING, Power Steering Hose
-12	52089289AA	1	J			EN0			BRACKET, Power Steering

LIBERTY (KJ)		BODY	ENGINE	TRANSMISSION
SERIES	LINE	74 = SPORT UTILITY 4-DR	EKG = 3.7L V6 Engine	DG6 = 4-Spd. Automatic 42RLE
H = HIGHLINE	T = JEEP - 2WD		ENR = 2.8L 4 Cyl Turbo Diesel Engine	Transmission
M = MEDIUM	J = JEEP - 4WD		ENJ = 2.5L 4 Cyl 16V Turbo Diesel Engine	DGV = 4-Spd. Automatic VLP
P = PREMIUM	U = JEEP - 4WD (RHD)		ED1 = 2.4L 4 Cyl DOHC 16v SMPI Engine	Transmission
				DGQ = 5-Spd Automatic 5-45RFE
				Transmission
				DEH = 6-Speed Manual NSG370
				Transmission
				DDD = 5-Speed HD Manual
				Transmission
				DDK = 5-Speed HD Manual
				Transmission

AR = use ase required - = Non illustrated part

### Hoses and Reservoir, RHD 2.8L [EN0]

Figure 19-720



ITEM	PART NUMBER	QTY	LINE	SERIES	BODY	ENGINE	TRANS	TRIM	DESCRIPTION
------	-------------	-----	------	--------	------	--------	-------	------	-------------

Note: Sales Codes;  
[EN0]=Engines - All 4/5 Cylinder Turbo Diesel

1	52128513AA	1				EN0			CAP, Power Steering Reservoir
2	06102132AA	1				EN0			SCREW, Hex Head, M6x1x20
3	52088713AA	1				EN0			RESERVOIR, Power Steering Pump, Includes Item 4
4	52088874AD	1				EN0			BRACKET, Power Steering Reservoir
5	06502726	3				EN0			NUT
6	06502726	3							SCREW, Hex Flange Head, M6x1.00x35.00, (NOT SERVICED)
7	06502018	2				EN0			CLAMP, Hose, M28.9 x 1.60
8	52088719AE	1				EN0			HOSE, Power Steering Reservoir, Includes Item 9
9	52088716AI	1	U			EN0			HOSE, Power Steering Pressure
10	05205254	1	U			EN0			O RING, Power Steering Hose
11	05205254	1							SCREW, Hex Flange Head, M6x1.00x35.00, (NOT SERVICED)
12	06504217	1	J			EN0			CLAMP, Hose, M18.5

#### LIBERTY (KJ)

SERIES	LINE
H = HIGHLINE	T = JEEP - 2WD
M = MEDIUM	J = JEEP - 4WD
P = PREMIUM	U = JEEP - 4WD (RHD)

BODY
74 = SPORT UTILITY 4-DR

ENGINE	TRANSMISSION
EKG = 3.7L V6 Engine	DG6 = 4-Spd. Automatic 42RLE
ENR = 2.8L 4 Cyl Turbo Diesel Engine	Transmission
ENJ = 2.5L 4 Cyl 16V Turbo Diesel Engine	DGV = 4-Spd. Automatic VLP
ED1 = 2.4L 4 Cyl DOHC 16v SMPI Engine	Transmission
	DGQ = 5-Spd Automatic 5-45RFE
	Transmission
	DEH = 6-Speed Manual NSG370
	Transmission
	DDD = 5-Speed HD Manual
	Transmission
	DDK = 5-Speed HD Manual
	Transmission

AR = use ase required - = Non illustrated part

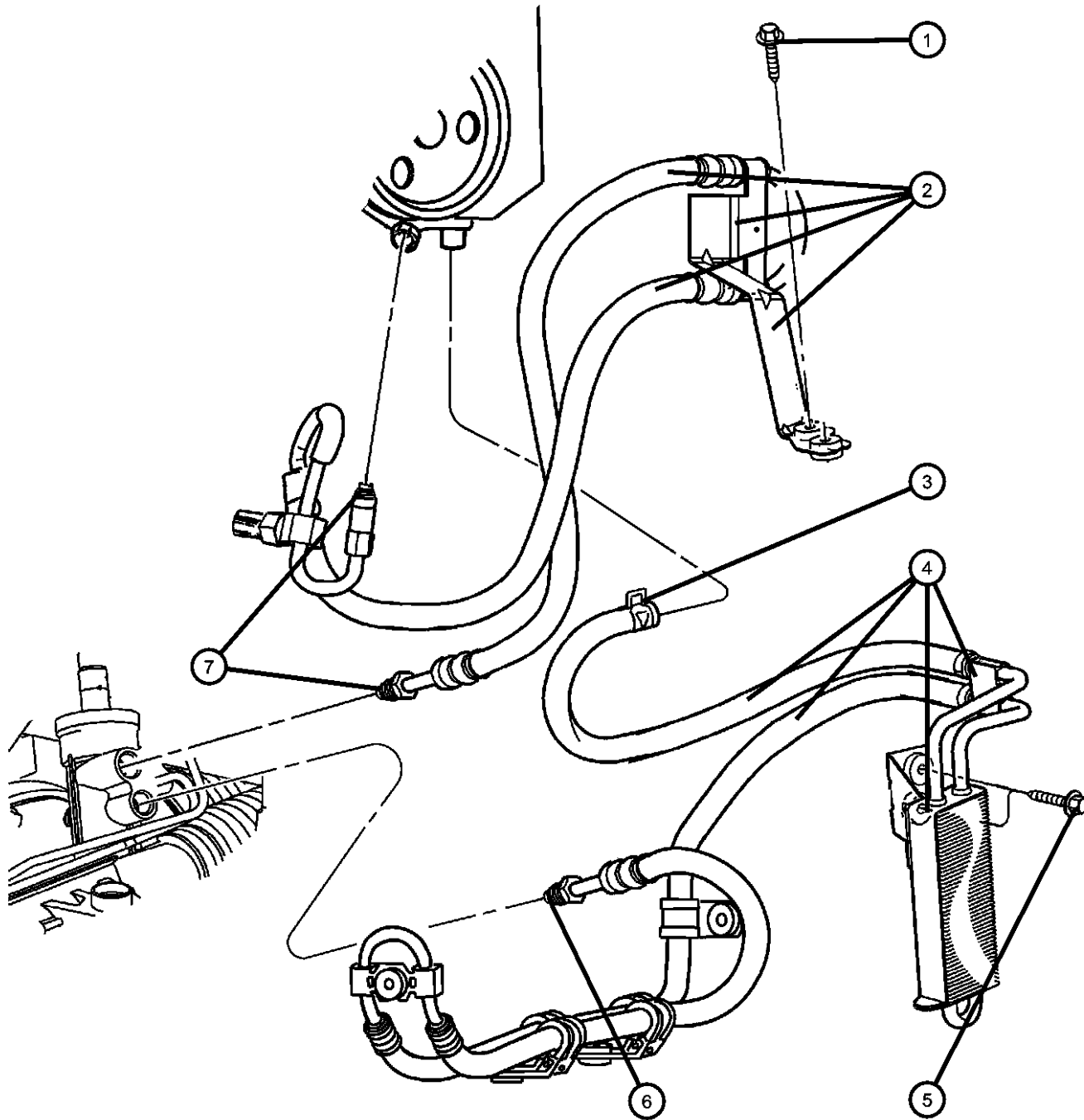
2006 KJ

Hoses and Reservoir,LHD 3.7L [EK0]  
Figure 19-730

ITEM	PART NUMBER	QTY	LINE	SERIES	BODY	ENGINE	TRANS	TRIM	DESCRIPTION
------	-------------	-----	------	--------	------	--------	-------	------	-------------

Note:Sales Codes;  
[EK0]=Engines - All 3.7L 6 Cylinder Gas

1	06504217	1							SCREW, Hex Flange Head, M6x1.00x35.00, (NOT SERVICED)
2	52128940AC	1	J, T			EK0			HOSE, Power Steering Pressure
3	06504217	1	J, T			EK0			CLAMP, Hose, M18.5
4	52129063AA	1	J, T			EK0			COOLER, Power Steering With Hose
5	52129063AA	1							SCREW, Hex Flange Head, M6x1.00x35.00, (NOT SERVICED)
6	05205254	1	J, T			EK0			O RING, Power Steering Hose
7	05205254	1	J, T			EK0			O RING, Power Steering Hose
-8	53013506AB	1	J, U			EK0			GUARD, Splash
-9	06100050	1	J, U			EK0			NUT AND WASHER, Hex, M8x1.25
-10	52129073AB	1	J, T			EK0			HOSE, Power Steering Return



LIBERTY (KJ)

SERIES	LINE
H = HIGHLINE	T = JEEP - 2WD
M = MEDIUM	J = JEEP - 4WD
P = PREMIUM	U = JEEP - 4WD (RHD)

BODY
74 = SPORT UTILITY 4-DR

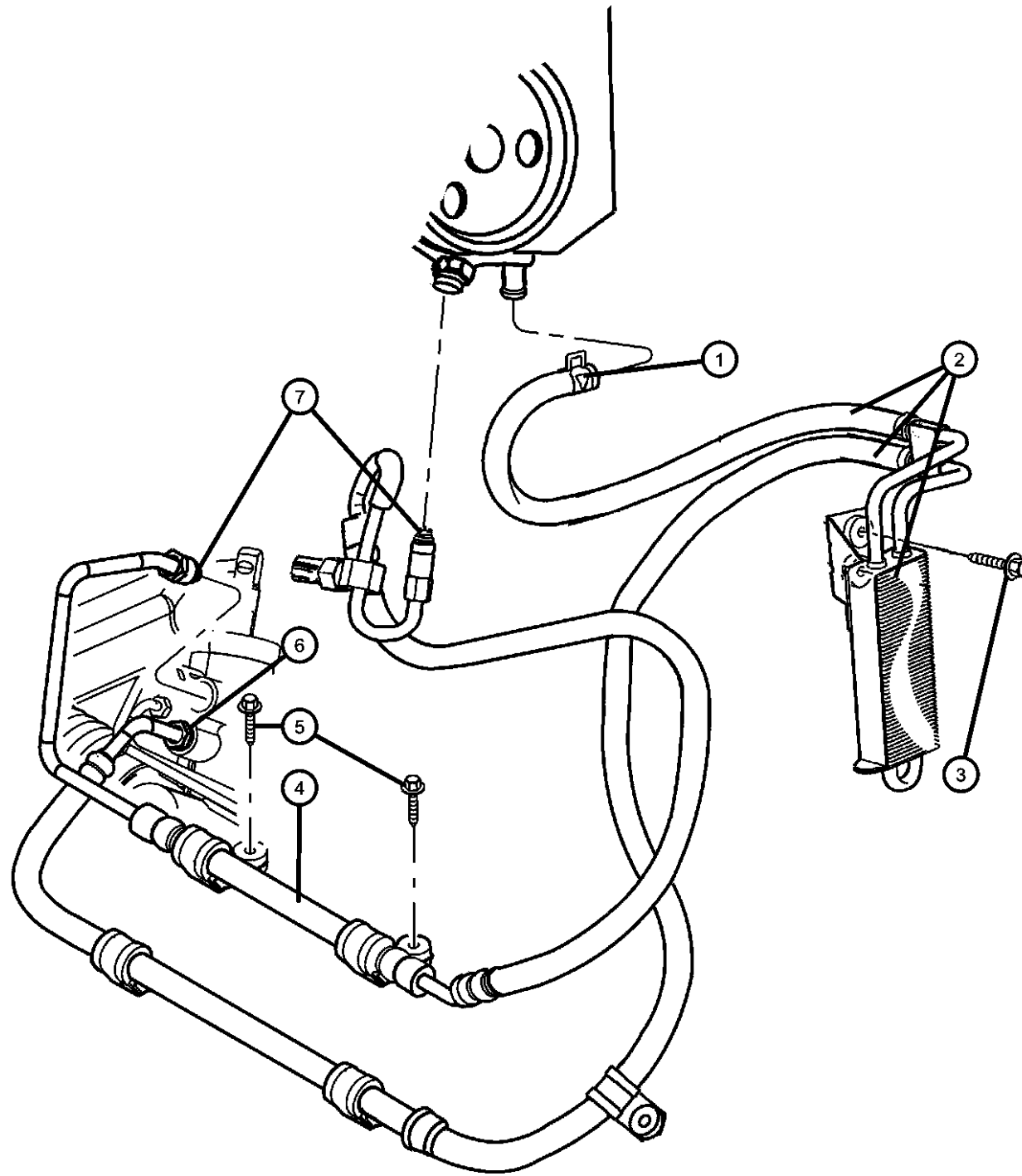
ENGINE	TRANSMISSION
EKG = 3.7L V6 Engine	DG6 = 4-Spd. Automatic 42RLE
ENR = 2.8L 4 Cyl Turbo Diesel Engine	Transmission
ENJ = 2.5L 4 Cyl 16V Turbo Diesel Engine	DGV = 4-Spd. Automatic VLP
ED1 = 2.4L 4 Cyl DOHC 16v SMPI Engine	Transmission
	DGQ = 5-Spd Automatic 5-45RFE
	Transmission
	DEH = 6-Speed Manual NSG370
	Transmission
	DDD = 5-Speed HD Manual
	Transmission
	DDK = 5-Speed HD Manual
	Transmission

AR = use ase required - = Non illustrated part

2006 KJ

Hoses and Reservoir RHD 3.7L [EK0]  
Figure 19-740

ITEM	PART NUMBER	QTY	LINE	SERIES	BODY	ENGINE	TRANS	TRIM	DESCRIPTION
Note:Sales Codes; [EKG]=Engine -3.7L Power Tech V6 [EK0]=Engines - All 3.7L 6 Cylinder Gas									
1	06504217	1	U			EK0			CLAMP, Hose, M18.5
2	52088927AG	1	U			EK0			HOSE AND COOLER, Power Steering Return
3	52088927AG	1							SCREW, Hex Flange Head, M6x1.00x35.00, (NOT SERVICED)
4	52128789AB	1	U			EK0			HOSE, Power Steering Pressure
5	52128789AB	1							SCREW, Hex Flange Head, M6x1.00x35.00, (NOT SERVICED)
6	05205254	2	U			EK0			O RING, Power Steering Hose
7	05205254	2	U			EK0			O RING, Power Steering Hose
-8	53013506AB	1	J, U			EK0			GUARD, Splash



LIBERTY (KJ)

SERIES LINE  
H = HIGHLINE T = JEEP - 2WD  
M = MEDIUM J = JEEP - 4WD  
P = PREMIUM U = JEEP - 4WD (RHD)

BODY  
74 = SPORT UTILITY 4-DR

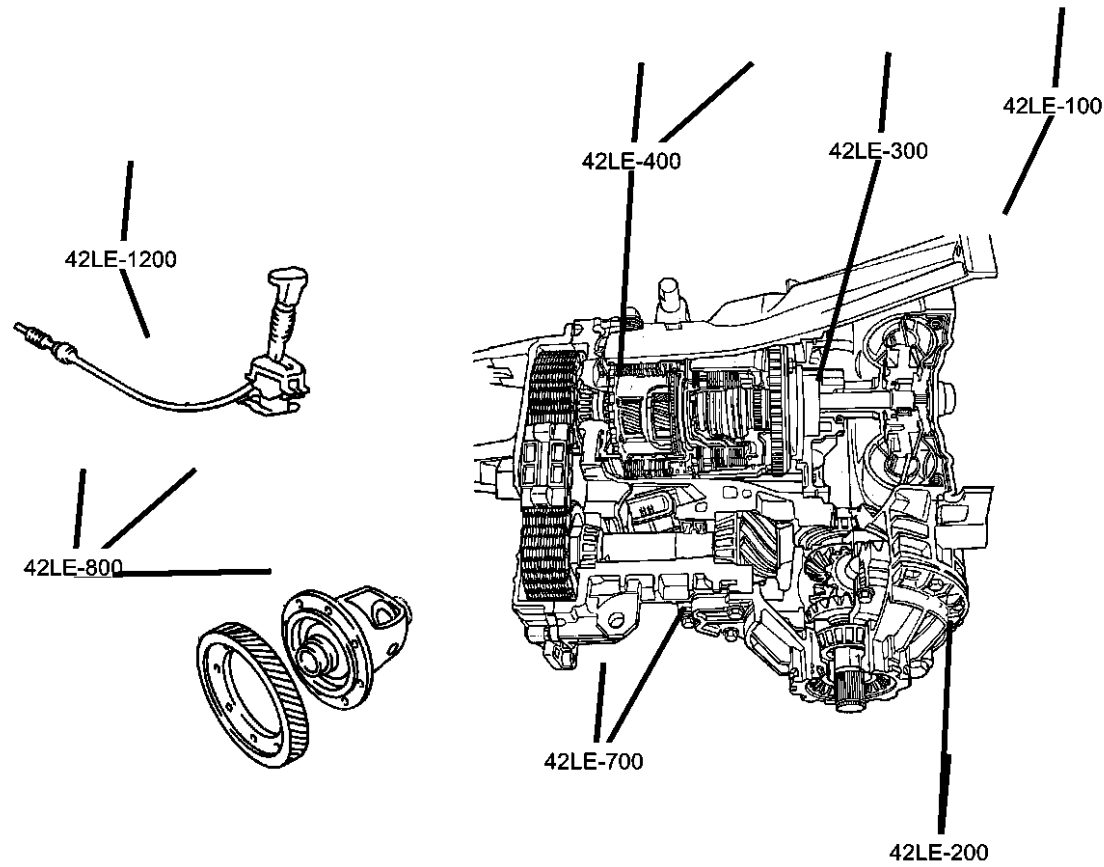
ENGINE TRANSMISSION  
EKG = 3.7L V6 Engine DG6 = 4-Spd. Automatic 42RLE  
ENR = 2.8L 4 Cyl Turbo Diesel Transmission  
ENJ = 2.5L 4 Cyl 16V Turbo Transmission  
Diesel Engine DGQ = 5-Spd Automatic 5-45RFE  
ED1 = 2.4L 4 Cyl DOHC 16v Transmission  
SMPI Engine DEH = 6-Speed Manual NSG370 Transmission  
DDD = 5-Speed HD Manual Transmission  
DDK = 5-Speed HD Manual Transmission

AR = use ase required - = Non illustrated part

2006 KJ

# Group - 42RLE

## Automatic Transaxle 4 Speed



## Group - 42RLE Automatic Transaxle 4 Speed

Illustration Title

Group-Fig. No.

### Transaxle Assembly

Assembly, Transmission .....	Fig. 42RLE - 110
Assembly, Transmission .....	Fig. 42RLE - 120

### Case and Extension

Transmission Case & Extension .....	Fig. 42RLE - 210
Transmission Case & Extension .....	Fig. 42RLE - 220
Adapter & Extension .....	Fig. 42RLE - 230
Mounting, Transmission .....	Fig. 42RLE - 240
Collar, Structural.....	Fig. 42RLE - 250
Oil Fill Tube .....	Fig. 42RLE - 260
Overhaul & Seal Package .....	Fig. 42RLE - 270

### Oil Pump

Oil Pump & Reaction Shaft .....	Fig. 42RLE - 310
Oil Pump & Reaction Shaft .....	Fig. 42RLE - 320

### Gear Train


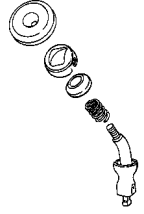
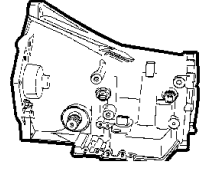

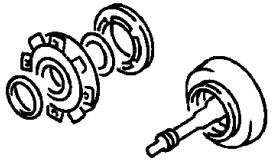
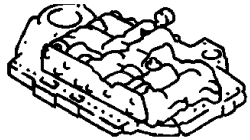
Clutch, Input Shaft .....	Fig. 42RLE - 410
Clutch, Input Shaft .....	Fig. 42RLE - 420
Gear Train .....	Fig. 42RLE - 430
Gear Train .....	Fig. 42RLE - 440

### Valve Body

Valve Body.....	Fig. 42RLE - 710
Valve Body.....	Fig. 42RLE - 720
Accumulator Pistons & Springs .....	Fig. 42RLE - 730
Accumulator Pistons & Springs .....	Fig. 42RLE - 740
Parking Sprag .....	Fig. 42RLE - 750
Parking Sprag .....	Fig. 42RLE - 760

### Gearshift Controls

Gearshift Control .....	Fig. 42RLE - 1210
-------------------------	-------------------

<p><b>42RLE-100</b> Transaxle Assembly</p> 	<p><b>42RLE-1200</b> Gearshift Controls</p> 	<p><b>42RLE-200</b> Case and Extension</p> 	<p><b>42RLE-300</b> Oil Pump</p> 
<p><b>42RLE-400</b> Gear Train</p> 	<p><b>42RLE-700</b> Valve Body</p> 		

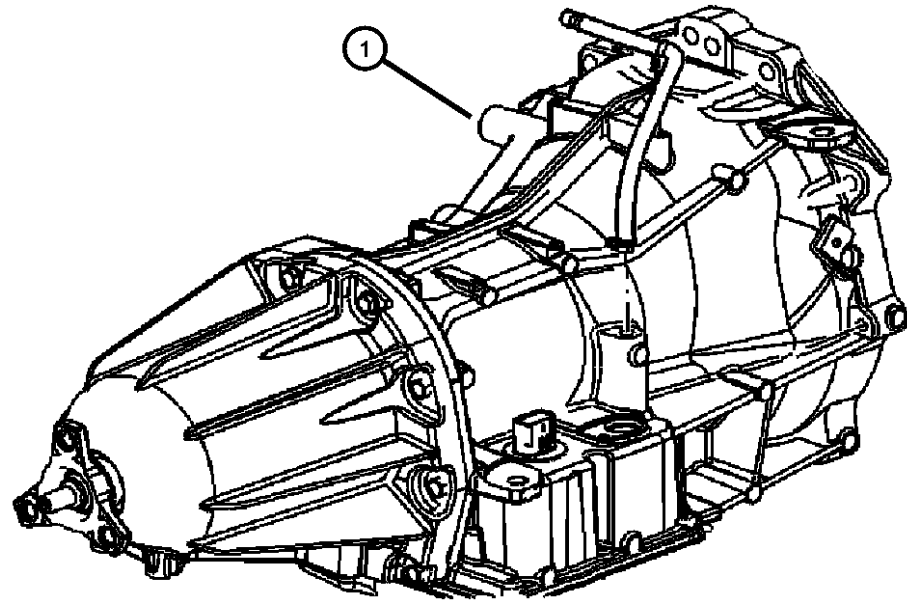


**Assembly, Transmission  
Figure 42RLE-110**

ITEM	PART NUMBER	QTY	LINE	SERIES	BODY	ENGINE	TRANS	TRIM	DESCRIPTION
------	-------------	-----	------	--------	------	--------	-------	------	-------------

NOTE:  
Sales Codes:  
[DG6]=4 Speed Automatic Transmission - [42RLE]

1									TRANSMISSION PACKAGE
	05143690AB	1	T				DG6		With Stamp # [52850697AB]
	05143971AB	1	J, U				DG6		With Stamp # [52850696AB]
-2									CONVERTER PACKAGE, Torque
	05093944AB	1	J, U				DG6		
		1	T				DG6		



**LIBERTY (KJ)**

SERIES	LINE
H = HIGHLINE	T = JEEP - 2WD
M = MEDIUM	J = JEEP - 4WD
P = PREMIUM	U = JEEP - 4WD (RHD)

BODY  
74 = SPORT UTILITY 4-DR

ENGINE	TRANSMISSION
EKG = 3.7L V6 Engine	DG6 = 4-Spd. Automatic 42RLE
ENR = 2.8L 4 Cyl Turbo Diesel Engine	Transmission
ENJ = 2.5L 4 Cyl 16V Turbo Diesel Engine	DGV = 4-Spd. Automatic VLP
ED1 = 2.4L 4 Cyl DOHC 16v SMPI Engine	Transmission
	DGQ = 5-Spd Automatic 5-45RFE
	Transmission
	DEH = 6-Speed Manual NSG370
	Transmission
	DDD = 5-Speed HD Manual
	Transmission
	DDK = 5-Speed HD Manual
	Transmission

AR = use ase required - = Non illustrated part

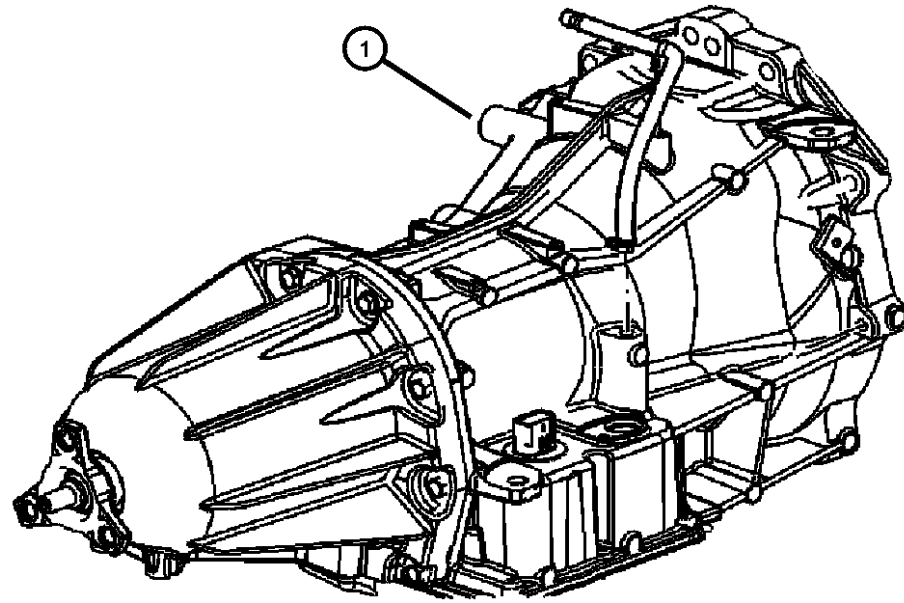
2006 KJ

**Assembly, Transmission  
Figure 42RLE-120**

ITEM	PART NUMBER	QTY	LINE	SERIES	BODY	ENGINE	TRANS	TRIM	DESCRIPTION
------	-------------	-----	------	--------	------	--------	-------	------	-------------

NOTE:  
Sales Codes:  
[DGV]=4 Speed Automatic Transmission - [42RLE / VLP]

1									TRANSMISSION PACKAGE
	05176258AB	1	T				DGV		With Stamp # [04800427AA]
	05179247AA	1	J, U				DGV		With Stamp # [04800426AA]
-2									CONVERTER PACKAGE, Torque
	05093944AB	1	J, U				DGV		
		1	T				DGV		



**LIBERTY (KJ)**

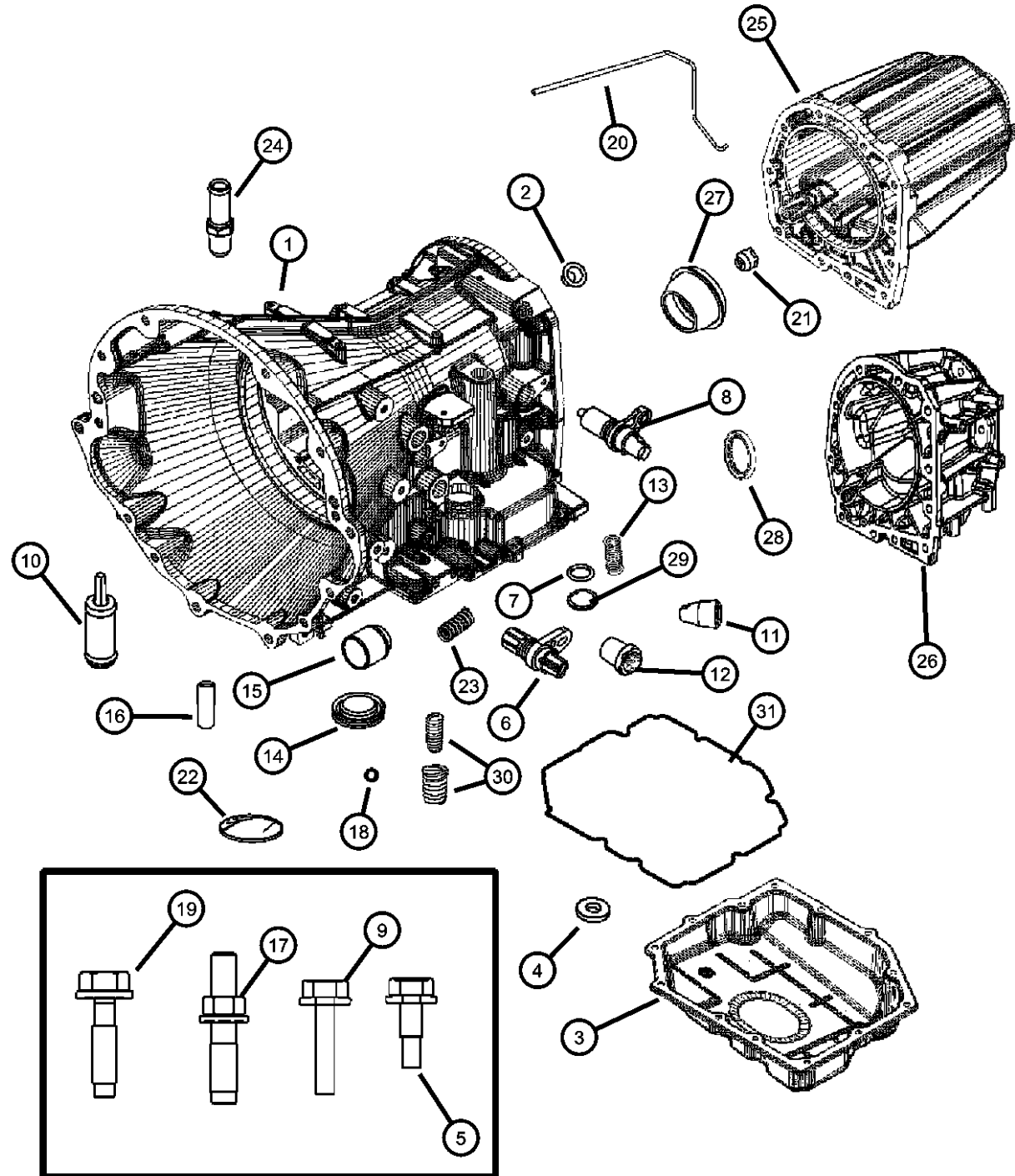
SERIES	LINE
H = HIGHLINE	T = JEEP - 2WD
M = MEDIUM	J = JEEP - 4WD
P = PREMIUM	U = JEEP - 4WD (RHD)

BODY  
74 = SPORT UTILITY 4-DR

ENGINE	TRANSMISSION
EKG = 3.7L V6 Engine	DG6 = 4-Spd. Automatic 42RLE
ENR = 2.8L 4 Cyl Turbo Diesel Engine	Transmission
ENJ = 2.5L 4 Cyl 16V Turbo Diesel Engine	DGV = 4-Spd. Automatic VLP
ED1 = 2.4L 4 Cyl DOHC 16v SMPI Engine	Transmission
	DGQ = 5-Spd Automatic 5-45RFE
	Transmission
	DEH = 6-Speed Manual NSG370
	Transmission
	DDD = 5-Speed HD Manual
	Transmission
	DDK = 5-Speed HD Manual
	Transmission

AR = use ase required - = Non illustrated part

**Transmission Case & Extension  
Figure 42RLE-210**



ITEM	PART NUMBER	QTY	LINE	SERIES	BODY	ENGINE	TRANS	TRIM	DESCRIPTION
------	-------------	-----	------	--------	------	--------	-------	------	-------------

NOTE:

Sales Codes:

[DGV]=4 Speed Automatic Transmission - [42RLE / VLP]

[DG6]=4 Speed Automatic Transmission - [42RLE]

1	05101881AA	1	T				DG6		CASE, Transmission
		1	J, U				DG6		
2	04567312	1	T				DG6		PLUG, Transmission Case
		1	J, U				DG6		
3	52852912AB	5	T				DG6		PAN, Transmission Oil
		5	J, U				DG6		
4	03681601	5	T				DG6		MAGNET, Transmission
		5	J, U				DG6		
5	06501474	12	J, U				DG6		BOLT, Hex Head, M8x1.25x16 Oil Pan To Case
		12	T				DG6		Oil Pan To Case
6	04799061AB	1	T				DG6		SENSOR, Transmission Input Speed
		1	J, U				DG6		
7	04799062	1	T				DG6		O RING
		1	J, U				DG6		
8	52854001AA	1	T				DG6		SENSOR, Transmission Output Speed
		1	J, U				DG6		
9	06101331	2	T				DG6		BOLT, M6x1.00x20
10									VALVE, Cooler Bypass

**LIBERTY (KJ)**

**SERIES**

H = HIGHLINE

M = MEDIUM

P = PREMIUM

**LINE**

T = JEEP - 2WD

J = JEEP - 4WD

U = JEEP - 4WD (RHD)

**BODY**

74 = SPORT UTILITY 4-DR

**ENGINE**

EKG = 3.7L V6 Engine

ENR = 2.8L 4 Cyl Turbo Diesel  
Engine

ENJ = 2.5L 4 Cyl 16V Turbo  
Diesel Engine

ED1 = 2.4L 4 Cyl DOHC 16V  
SMPI Engine

**TRANSMISSION**

DG6 = 4-Spd. Automatic 42RLE  
Transmission

DGV = 4-Spd. Automatic VLP  
Transmission

DGQ = 5-Spd Automatic 5-45RFE  
Transmission

DEH = 6-Speed Manual NSG370  
Transmission

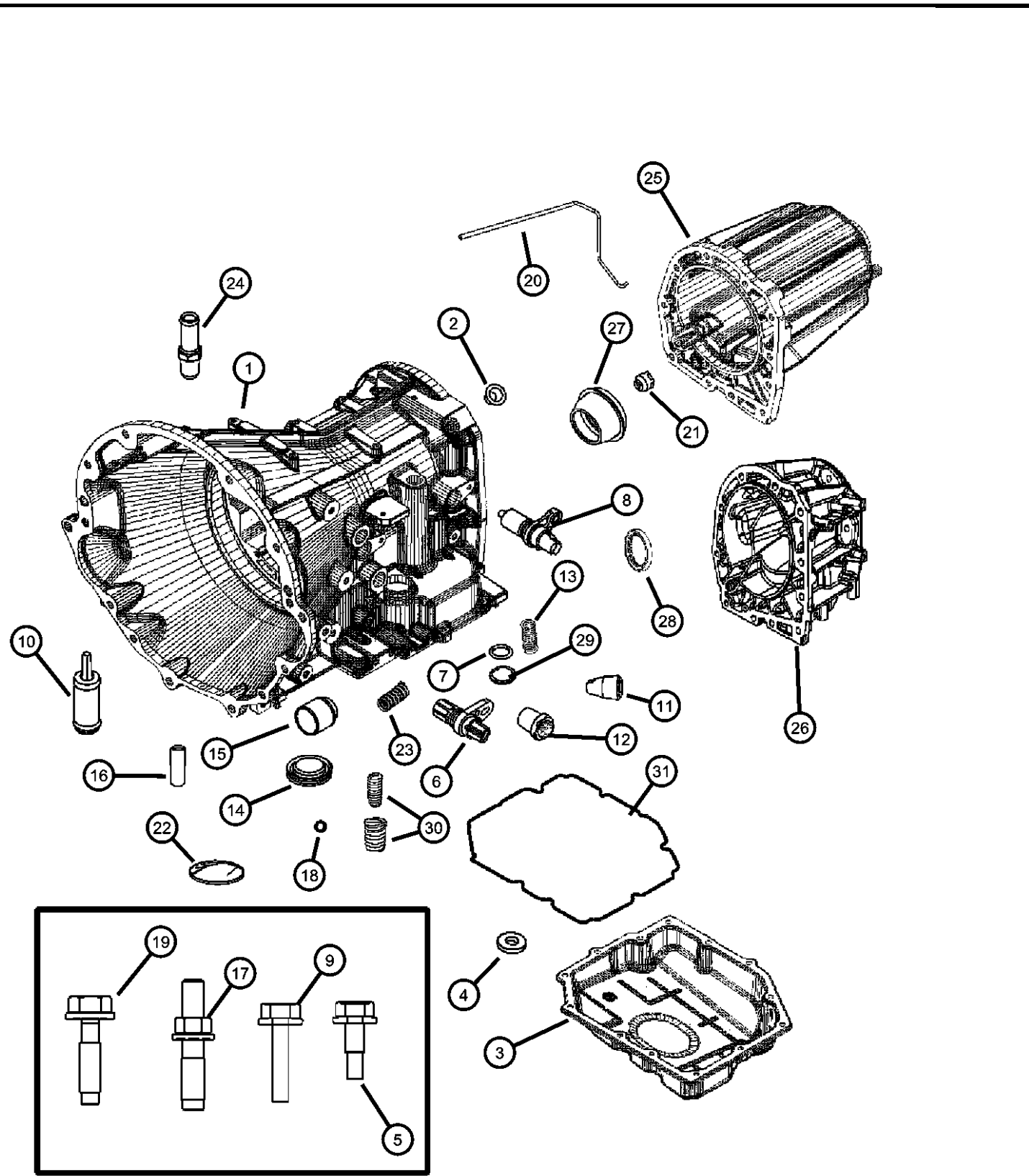
DDD = 5-Speed HD Manual  
Transmission

DDK = 5-Speed HD Manual  
Transmission

AR = use ase required - = Non illustrated part

2006 KJ

**Transmission Case & Extension**  
**Figure 42RLE-210**

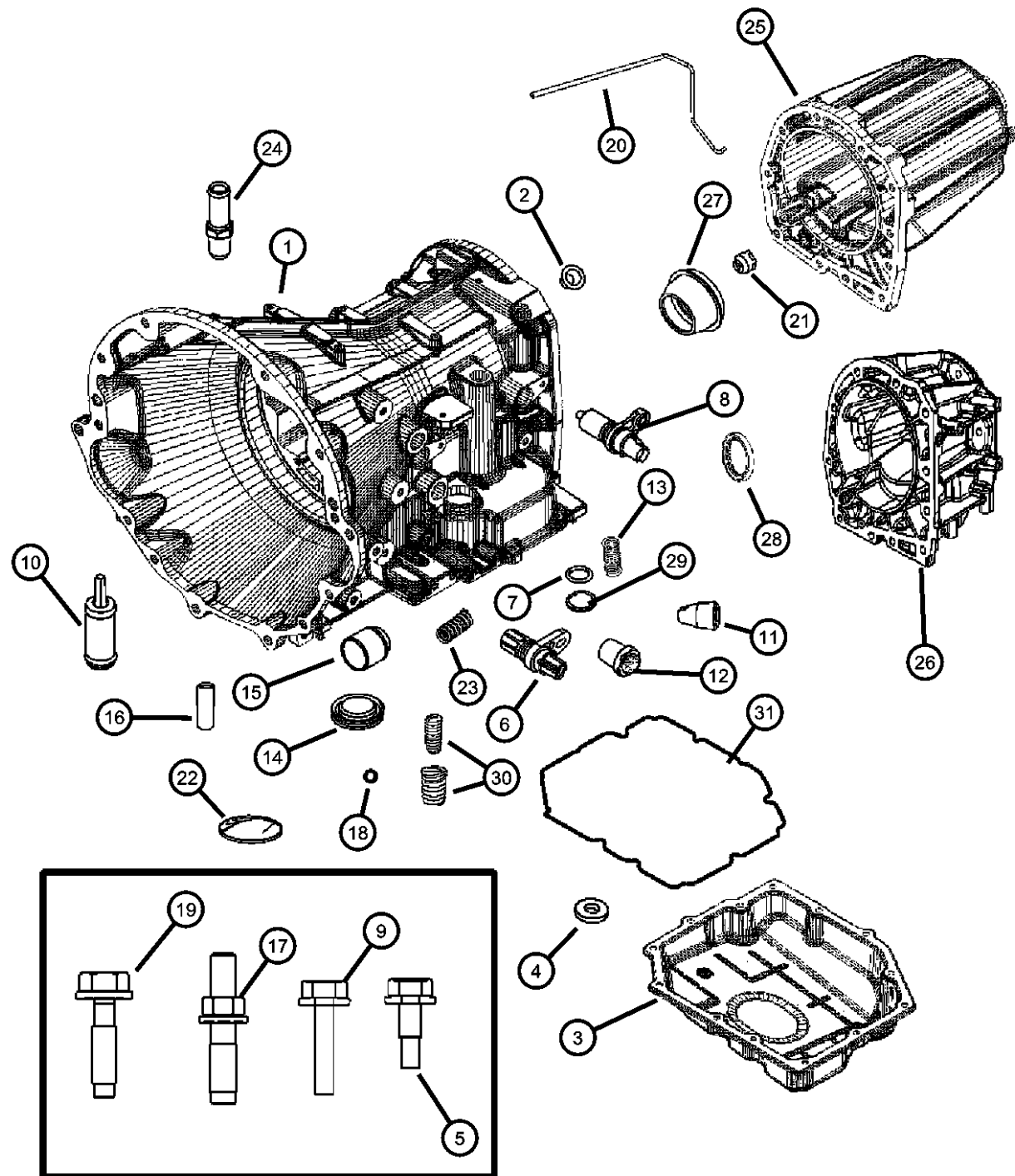


ITEM	PART NUMBER	QTY	LINE	SERIES	BODY	ENGINE	TRANS	TRIM	DESCRIPTION
	04659946AB	1	T				DG6		
		1	J, U				DG6		
11	04531412	1	T				DG6		BUSHING, Dowel
		1	J, U				DG6		
12	52119547AA	2	J, U				DG6		FITTING, Quick Connect
		2	T				DG6		
13	04567575	1	T				DG6		SPRING, Accumulator
		1	J, U				DG6		
14	04431617AB	1	T				DG6		COVER, Accumulator
		1	J, U				DG6		
15	04446620	1	J, U				DG6		PISTON, Accumulator
		1	T				DG6		
16	06100994	1	T				DG6		DOWEL, M6x16
		1	J, U				DG6		
17	06508113AA	4	T				DG6		STUD, M10x1.5x62
		4	J, U				DG6		
18	00152127	11	J, U				DG6		BALL, Transmission Oil Pump
		1	T				DG6		
19	06508111AA	2	J, U				DG6		SCREW AND WASHER, Hex Head, M10x1.5x37
		2	T				DG6		Transmission Extension To Case

**LIBERTY (KJ)**

SERIES	LINE	BODY	ENGINE	TRANSMISSION
H = HIGHLINE	T = JEEP - 2WD	74 = SPORT UTILITY 4-DR	EKG = 3.7L V6 Engine	DG6 = 4-Spd. Automatic 42RLE Transmission
M = MEDIUM	J = JEEP - 4WD		ENR = 2.8L 4 Cyl Turbo Diesel Engine	DGV = 4-Spd. Automatic VLP Transmission
P = PREMIUM	U = JEEP - 4WD (RHD)		ENJ = 2.5L 4 Cyl 16V Turbo Diesel Engine	DGQ = 5-Spd Automatic 5-45RFE Transmission
			ED1 = 2.4L 4 Cyl DOHC 16v SMPI Engine	DEH = 6-Speed Manual NSG370 Transmission
				DDD = 5-Speed HD Manual Transmission
				DDK = 5-Speed HD Manual Transmission

**Transmission Case & Extension  
Figure 42RLE-210**



ITEM	PART NUMBER	QTY	LINE	SERIES	BODY	ENGINE	TRANS	TRIM	DESCRIPTION
20	05114530AA	1	T				DG6		TUBE AND GROMMET, Extension Lubrication
21	52852998AA	1	T				DG6		SEAL, Transmission
22	04446544	2	T				DG6		Lube Tube Grommet
		1	J, U				DG6		Lube Tube Grommet
23	04471880	1	T				DG6		SEAL, Accumulator
		1	J, U				DG6		
24	04531202	1	J, U				DG6		CONNECTOR, Oil Cooler Hose
		1	T				DG6		
25	52852987AB	1	T				DG6		HOUSING, Transmission Rear Extension
26	52852986AB	1	J, U				DG6		ADAPTER, Transfer Case
27	04531216AB	1	T				DG6		SEAL, Output Shaft
28	04269956AB	1	J, U				DG6		SEAL, Adapter
29	06501695	1	T				DG6		SNAP RING
		1	J, U				DG6		
30	04800310AA	1	J, U				DG6		SPRING, Accumulator
		1	T				DG6		
31		1							ADHESIVE, (NOT SERVICED)

**LIBERTY (KJ)**

SERIES      LINE  
H = HIGHLINE    T = JEEP - 2WD  
M = MEDIUM     J = JEEP - 4WD  
P = PREMIUM    U = JEEP - 4WD (RHD)

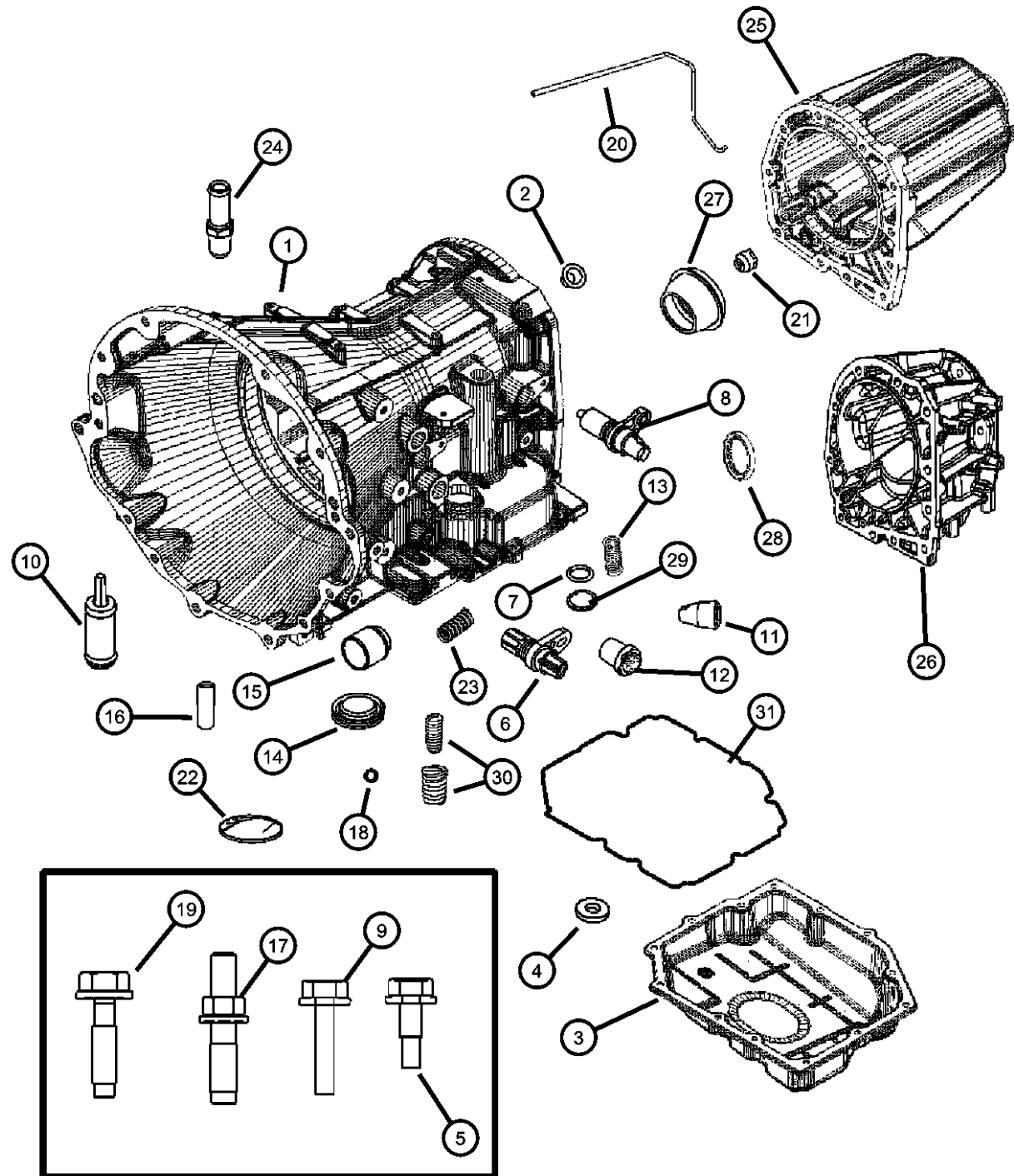
BODY  
74 = SPORT UTILITY 4-DR

ENGINE      TRANSMISSION  
EKG = 3.7L V6 Engine      DG6 = 4-Spd. Automatic 42RLE  
ENR = 2.8L 4 Cyl Turbo Diesel      Transmission  
Engine      DGV = 4-Spd. Automatic VLP  
ENJ = 2.5L 4 Cyl 16V Turbo      Transmission  
Diesel Engine      DGQ = 5-Spd Automatic 5-45RFE  
ED1 = 2.4L 4 Cyl DOHC 16v      Transmission  
SMPI Engine      DEH = 6-Speed Manual NSG370  
Transmission  
DDD = 5-Speed HD Manual  
Transmission  
DDK = 5-Speed HD Manual  
Transmission

AR = use ase required - = Non illustrated part

2006 KJ

**Transmission Case & Extension  
Figure 42RLE-220**



ITEM	PART NUMBER	QTY	LINE	SERIES	BODY	ENGINE	TRANS	TRIM	DESCRIPTION
------	-------------	-----	------	--------	------	--------	-------	------	-------------

NOTE:

Sales Codes:

[DGV]=4 Speed Automatic Transmission - [42RLE / VLP]

[DG6]=4 Speed Automatic Transmission - [42RLE]

1	05179126AA	1	J, U				DGV		CASE, Transmission
		1	T				DGV		
2	04567312	1	J, U				DGV		PLUG, Transmission Case
		1	T				DGV		
3	52852912AB	1	T				DGV		PAN, Transmission Oil
		1	J, U				DGV		
4	03681601	1	T				DGV		MAGNET, Transmission
		1	J, U				DGV		
5	06501474	12	T				DGV		BOLT, Hex Head, M8x1.25x16
		12	J, U				DGV		
6	04799061AB	1	J, U				DGV		SENSOR, Transmission Input Speed
		1	T				DGV		
7	04799062	1	J, U				DGV		O RING
		1	T				DGV		
8	52854001AA	1	J, U				DGV		SENSOR, Transmission Output Speed
		1	T				DGV		
9	06101331	2	T				DGV		BOLT, M6x1.00x20
10									VALVE, Cooler Bypass

LIBERTY (KJ)

SERIES

H = HIGHLINE

M = MEDIUM

P = PREMIUM

LINE

T = JEEP - 2WD

J = JEEP - 4WD

U = JEEP - 4WD (RHD)

BODY

74 = SPORT UTILITY 4-DR

ENGINE

EKG = 3.7L V6 Engine

ENR = 2.8L 4 Cyl Turbo Diesel Engine

ENJ = 2.5L 4 Cyl 16V Turbo Diesel Engine

ED1 = 2.4L 4 Cyl DOHC 16v SMPI Engine

TRANSMISSION

DG6 = 4-Spd. Automatic 42RLE Transmission

DGV = 4-Spd. Automatic VLP Transmission

DGQ = 5-Spd Automatic 5-45RFE Transmission

DEH = 6-Speed Manual NSG370 Transmission

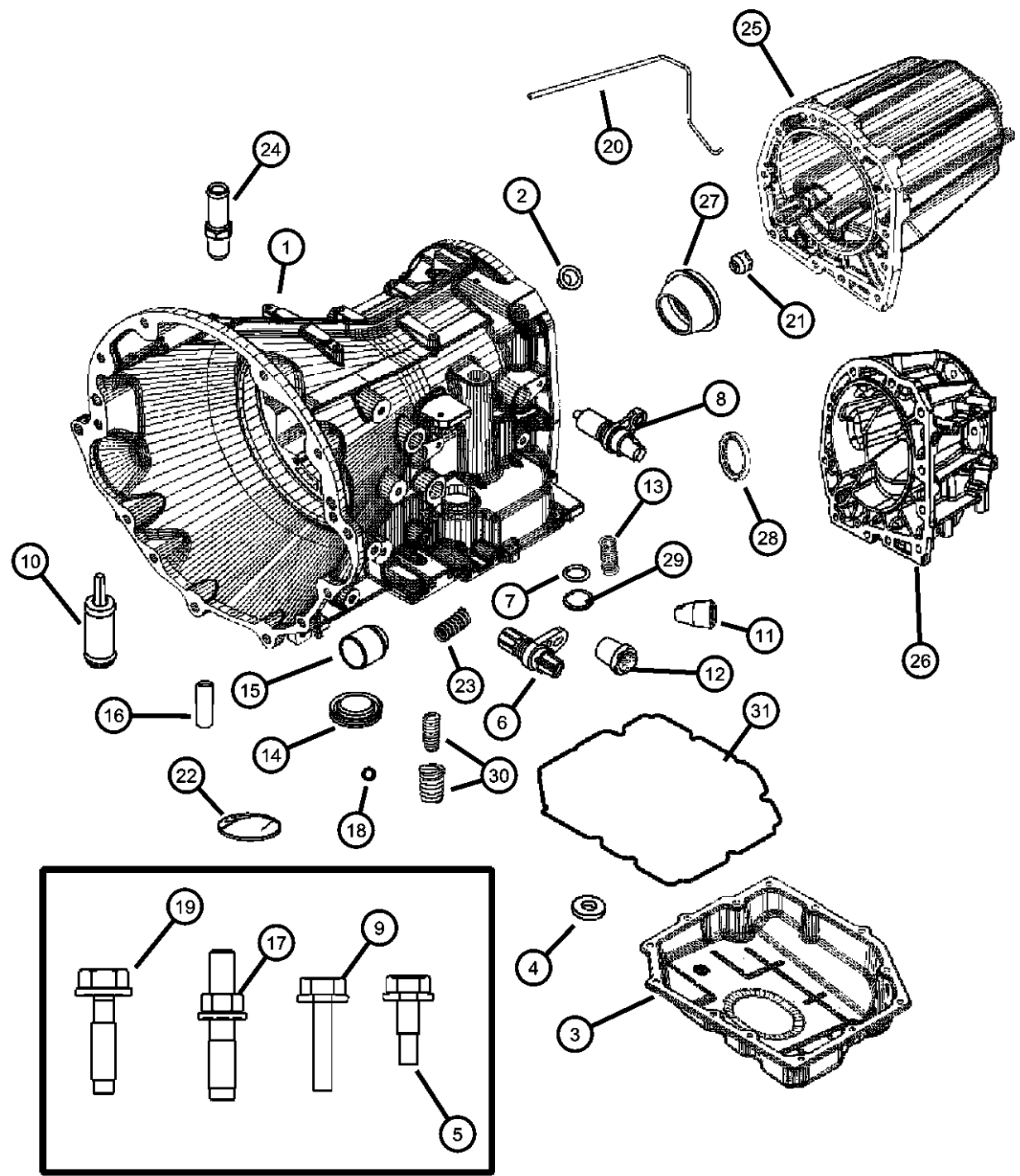
DDD = 5-Speed HD Manual Transmission

DDK = 5-Speed HD Manual Transmission

AR = use ase required - = Non illustrated part

2006 KJ

**Transmission Case & Extension  
Figure 42RLE-220**



ITEM	PART NUMBER	QTY	LINE	SERIES	BODY	ENGINE	TRANS	TRIM	DESCRIPTION
	04659946AB	1	T				DGV		
		1	J, U				DGV		
11	04531412	1	J, U				DGV		BUSHING, Dowel
		1	T				DGV		
12	52119547AA	2	J, U				DGV		FITTING, Quick Connect
		2	T				DGV		
13	04567575	1	T				DGV		SPRING, Accumulator
		1	J, U				DGV		
14	04431617AB	1	J, U				DGV		COVER, Accumulator
		1	T				DGV		
15	04446620	1	J, U				DGV		PISTON, Accumulator
		1	T				DGV		
16	06100994	1	J, U				DGV		DOWEL, M6x16
		1	T				DGV		
17	06508113AA	4	J, U				DGV		STUD, M10x1.5x62
		4	T				DGV		
18	00152127	1	T				DGV		BALL, Transmission Oil Pump
		1	J, U				DGV		
19	06508111AA	2	J, U				DGV		SCREW AND WASHER, Hex Head, M10x1.5x37
		2	T				DGV		Transmission Extension To Case

**LIBERTY (KJ)**  
 SERIES                      LINE  
 H = HIGHLINE              T = JEEP - 2WD  
 M = MEDIUM                J = JEEP - 4WD  
 P = PREMIUM                U = JEEP - 4WD (RHD)

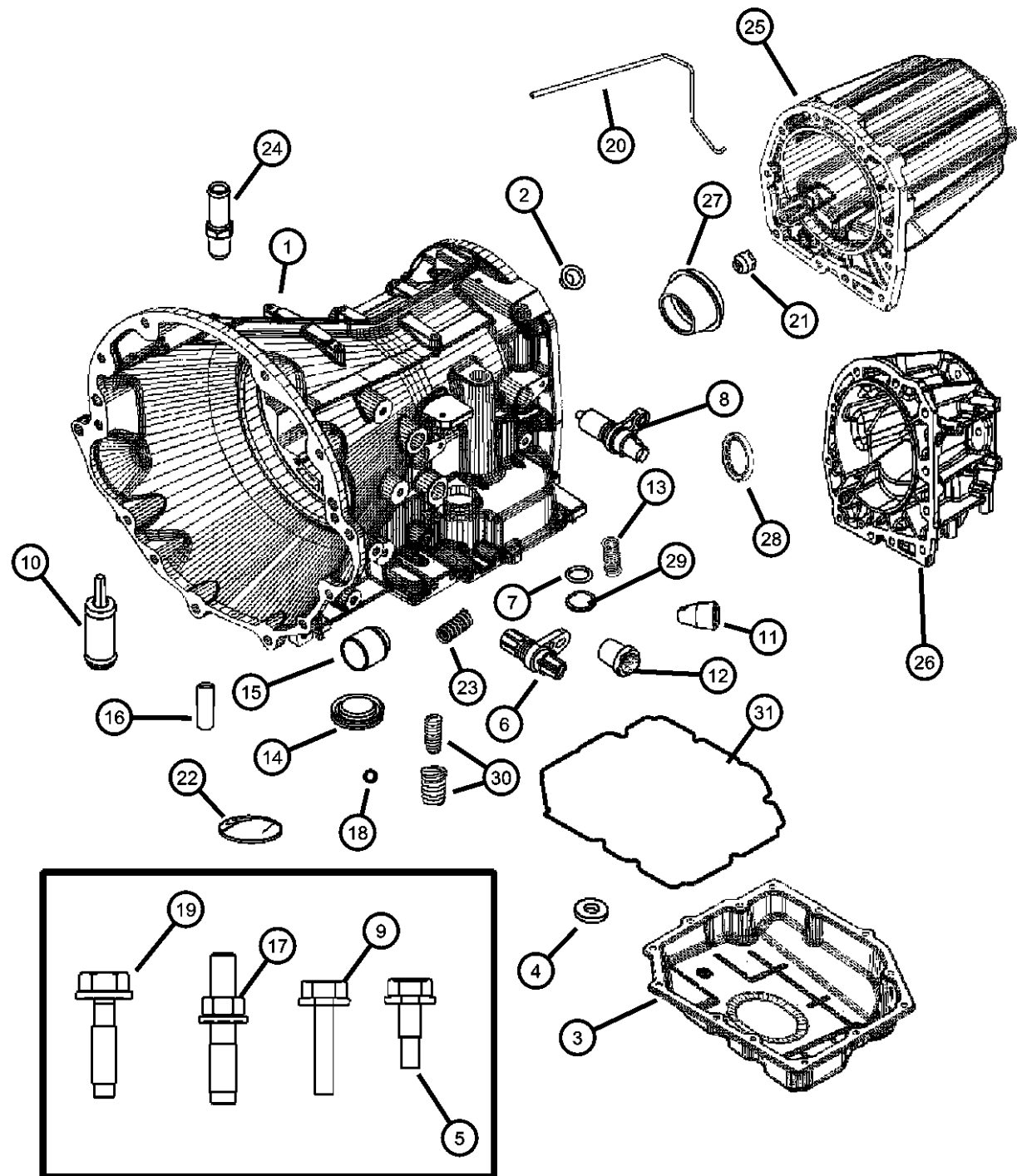
**BODY**  
 74 = SPORT UTILITY 4-DR

**ENGINE**  
 EKG = 3.7L V6 Engine  
 ENR = 2.8L 4 Cyl Turbo Diesel Engine  
 ENJ = 2.5L 4 Cyl 16V Turbo Diesel Engine  
 ED1 = 2.4L 4 Cyl DOHC 16v SMPI Engine

**TRANSMISSION**  
 DG6 = 4-Spd. Automatic 42RLE Transmission  
 DGV = 4-Spd. Automatic VLP Transmission  
 DGQ = 5-Spd Automatic 5-45RFE Transmission  
 DEH = 6-Speed Manual NSG370 Transmission  
 DDD = 5-Speed HD Manual Transmission  
 DDK = 5-Speed HD Manual Transmission

AR = use ase required - = Non illustrated part

## Transmission Case & Extension Figure 42RLE-220



ITEM	PART NUMBER	QTY	LINE	SERIES	BODY	ENGINE	TRANS	TRIM	DESCRIPTION
20	05114530AA	1	T				DGV		TUBE AND GROMMET
21									SEAL, Transmission
	52852998AA	1	T				DGV		
		1	J, U				DGV		
22									SEAL, Accumulator
	04446544	1	J, U				DGV		
		1	T				DGV		
23									SPRING, Accumulator
	04471880	1	T				DGV		
		1	J, U				DGV		
24									CONNECTOR, Oil Cooler Hose
	04531202	1	J, U				DGV		
		1	T				DGV		
25	52852987AB	1	T				DGV		HOUSING, Transmission Rear Extension
26	52852986AB	1	J, U				DGV		ADAPTER, Transfer Case
27	04531216AB	1	T				DGV		SEAL, Output Shaft
28	04269956AB	1	J, U				DGV		SEAL, Adapter
29									SNAP RING
	06501695	1	T				DGV		
		1	J, U				DGV		
30									SPRING, Accumulator
	04800310AA	1	T				DGV		
		1	J, U				DGV		
31		1							ADHESIVE, (NOT SERVICED)

**LIBERTY (KJ)**

SERIES	LINE
H = HIGHLINE	T = JEEP - 2WD
M = MEDIUM	J = JEEP - 4WD
P = PREMIUM	U = JEEP - 4WD (RHD)

BODY
74 = SPORT UTILITY 4-DR

ENGINE	TRANSMISSION
EKG = 3.7L V6 Engine	DG6 = 4-Spd. Automatic 42RLE Transmission
ENR = 2.8L 4 Cyl Turbo Diesel Engine	DGV = 4-Spd. Automatic VLP Transmission
ENJ = 2.5L 4 Cyl 16V Turbo Diesel Engine	DGQ = 5-Spd Automatic 5-45RFE Transmission
ED1 = 2.4L 4 Cyl DOHC 16v SMPI Engine	DEH = 6-Speed Manual NSG370 Transmission
	DDD = 5-Speed HD Manual Transmission
	DDK = 5-Speed HD Manual Transmission

AR = use ase required - = Non illustrated part

2006 KJ



Adapter & Extension  
Figure 42RLE-230

ITEM	PART NUMBER	QTY	LINE	SERIES	BODY	ENGINE	TRANS	TRIM	DESCRIPTION
------	-------------	-----	------	--------	------	--------	-------	------	-------------

NOTE:  
Sales Codes:  
[DG6]=4 Speed Automatic Transmission - [42RLE]

1	52852986AB	1	J, U				DGV		ADAPTER, Transfer Case
		1	J, U				DG6		
2	52854177AA	AR					DG6		TUBE
		1	J, U				DGV		
3	52852998AA	1	J, U				DG6		SEAL, Transmission
		1	J, U				DGV		
4	04269956AB	1	J, U				DG6		SEAL, Adapter
		1	J, U				DGV		
5	06504774	5	T				DG6		SCREW AND WASHER, Hex Head, M10x1.5x37
		5	J, U				DGV		
		5	T				DGV		
		5	J, U				DG6		
6	52852987AB	1	T				DG6		HOUSING, Transmission Rear Extension
7	04531216AB	1	T				DG6		SEAL, Output Shaft
8	52854177AA	AR					DG6		TUBE
9	52852998AA	AR					DG6		SEAL, Transmission
10	52852998AA	AR							BUSHING, (NOT SERVICED)

LIBERTY (KJ)

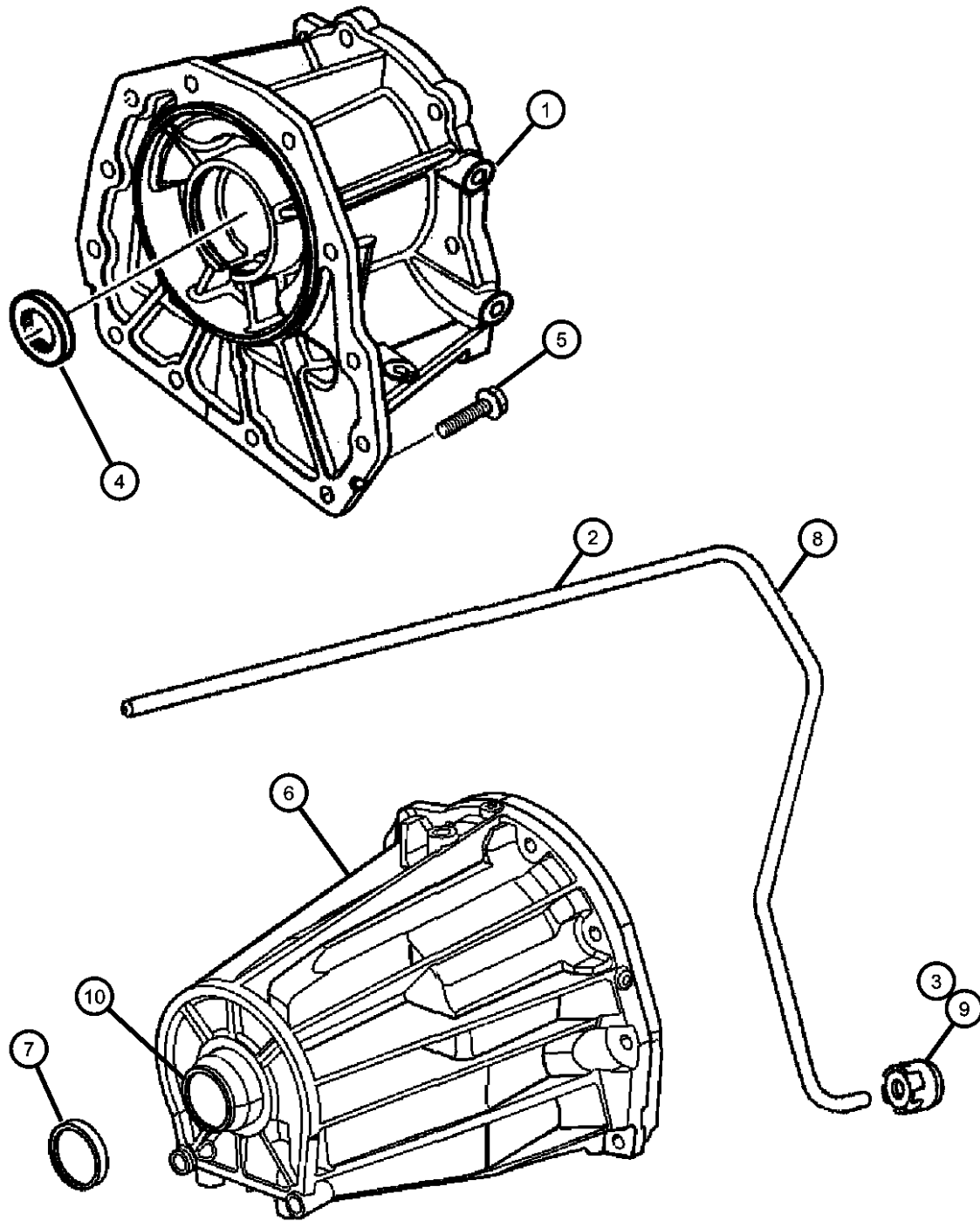
SERIES      LINE  
H = HIGHLINE    T = JEEP - 2WD  
M = MEDIUM     J = JEEP - 4WD  
P = PREMIUM    U = JEEP - 4WD (RHD)

BODY  
74 = SPORT UTILITY 4-DR

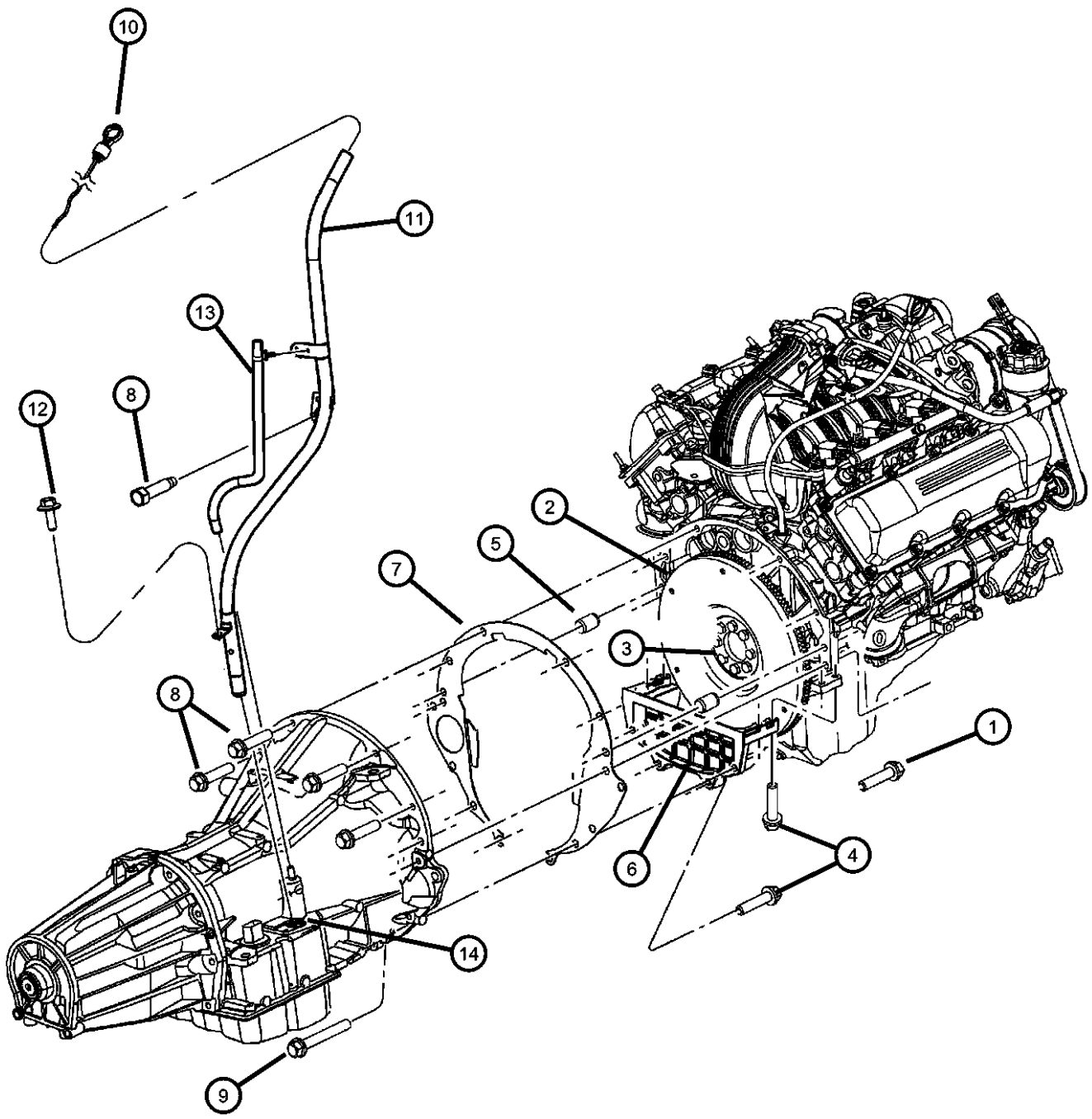
ENGINE      TRANSMISSION  
EKG = 3.7L V6 Engine      DG6 = 4-Spd. Automatic 42RLE  
ENR = 2.8L 4 Cyl Turbo Diesel Engine      Transmission  
ENJ = 2.5L 4 Cyl 16V Turbo Diesel Engine      DGV = 4-Spd. Automatic VLP  
ED1 = 2.4L 4 Cyl DOHC 16v SMPI Engine      Transmission  
DGQ = 5-Spd Automatic 5-45RFE  
Transmission  
DEH = 6-Speed Manual NSG370  
Transmission  
DDD = 5-Speed HD Manual  
Transmission  
DDK = 5-Speed HD Manual  
Transmission

AR = use ase required - = Non illustrated part

2006 KJ



**Mounting, Transmission  
Figure 42RLE-240**



ITEM	PART NUMBER	QTY	LINE	SERIES	BODY	ENGINE	TRANS	TRIM	DESCRIPTION
1	06036385AA	2				EK0	DG0		SCREW AND WASHER, Hex Head, .437-14x2.00
2	04736253AA	1				EK0	DG0		PLATE, Torque Converter Drive
3	06503465	8				EK0	DG0		BOLT, Drive Plate and Flywheel
4	06101985	8				EK0			SCREW AND WASHER, M10x1.50x45.00
5	01122532	2				EK0			DOWEL, Block To Clutch Housing
6	53021282AA	1				EK0			COVER, Engine
7	52104344AA	1				EK0	DG0		COVER, Transmission Dust
8	06022266	4				EK0	DG0		SCREW, Hex Head, .375-16x1.5
9	06101985	8				EK0			SCREW AND WASHER, M10x1.50x45.00
10	53013592AC	1					DG6, DGV		INDICATOR, Transmission Fluid Level
11	53013591AC	1				EK0	DG6, DGV		TUBE, Transmission Oil Filler
12	06501979	1					DG0		SCREW AND WASHER, Hex Head, M6x1x17
13	53013593AA	1					DG6, DGV		TUBE, Vent
14									GROMMET
	04810021	1					DGV		
		1					DGV		
		1					DG6		
		1					DG6		
-15									SEAL, Torque Converter Hub
	05222629	1					DGV		
		1					DGV		
		1					DG6		
		1					DG6		

**LIBERTY (KJ)**

SERIES	LINE	BODY	ENGINE	TRANSMISSION
H = HIGHLINE	T = JEEP - 2WD	74 = SPORT UTILITY 4-DR	EKG = 3.7L V6 Engine	DG6 = 4-Spd. Automatic 42RLE Transmission
M = MEDIUM	J = JEEP - 4WD		ENR = 2.8L 4 Cyl Turbo Diesel Engine	DGV = 4-Spd. Automatic VLP Transmission
P = PREMIUM	U = JEEP - 4WD (RHD)		ENJ = 2.5L 4 Cyl 16V Turbo Diesel Engine	DGQ = 5-Spd Automatic 5-45RFE Transmission
			ED1 = 2.4L 4 Cyl DOHC 16V SMPI Engine	DEH = 6-Speed Manual NSG370 Transmission
				DDD = 5-Speed HD Manual Transmission
				DDK = 5-Speed HD Manual Transmission

AR = use ase required - = Non illustrated part

**Collar, Structural  
Figure 42RLE-250**

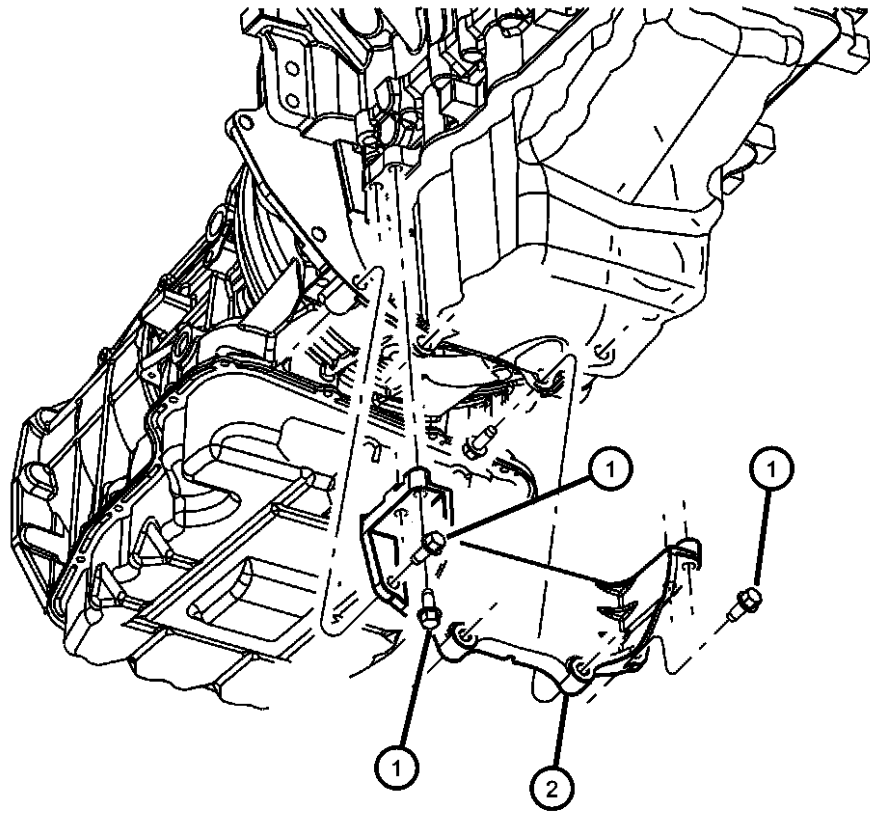
ITEM	PART NUMBER	QTY	LINE	SERIES	BODY	ENGINE	TRANS	TRIM	DESCRIPTION
------	-------------	-----	------	--------	------	--------	-------	------	-------------

NOTE:

Sales Codes:

[EK0]=All 3.7L V-6 Engines

1	06101985	8				EK0			SCREW AND WASHER, M10x1.50x45.00
2	53021282AA	1				EK0			COVER, Engine



**LIBERTY (KJ)**

SERIES      LINE  
H = HIGHLINE    T = JEEP - 2WD  
M = MEDIUM      J = JEEP - 4WD  
P = PREMIUM      U = JEEP - 4WD (RHD)

BODY  
74 = SPORT UTILITY 4-DR

ENGINE      TRANSMISSION  
EKG = 3.7L V6 Engine      DG6 = 4-Spd. Automatic 42RLE  
ENR = 2.8L 4 Cyl Turbo Diesel Engine      DGV = 4-Spd. Automatic VLP  
ENJ = 2.5L 4 Cyl 16V Turbo Diesel Engine      DGQ = 5-Spd Automatic 5-45RFE  
ED1 = 2.4L 4 Cyl DOHC 16v SMPI Engine      DEH = 6-Speed Manual NSG370  
Transmission  
DDD = 5-Speed HD Manual Transmission  
DDK = 5-Speed HD Manual Transmission

AR = use ase required - = Non illustrated part

2006 KJ

**Oil Fill Tube  
Figure 42RLE-260**

ITEM	PART NUMBER	QTY	LINE	SERIES	BODY	ENGINE	TRANS	TRIM	DESCRIPTION
------	-------------	-----	------	--------	------	--------	-------	------	-------------

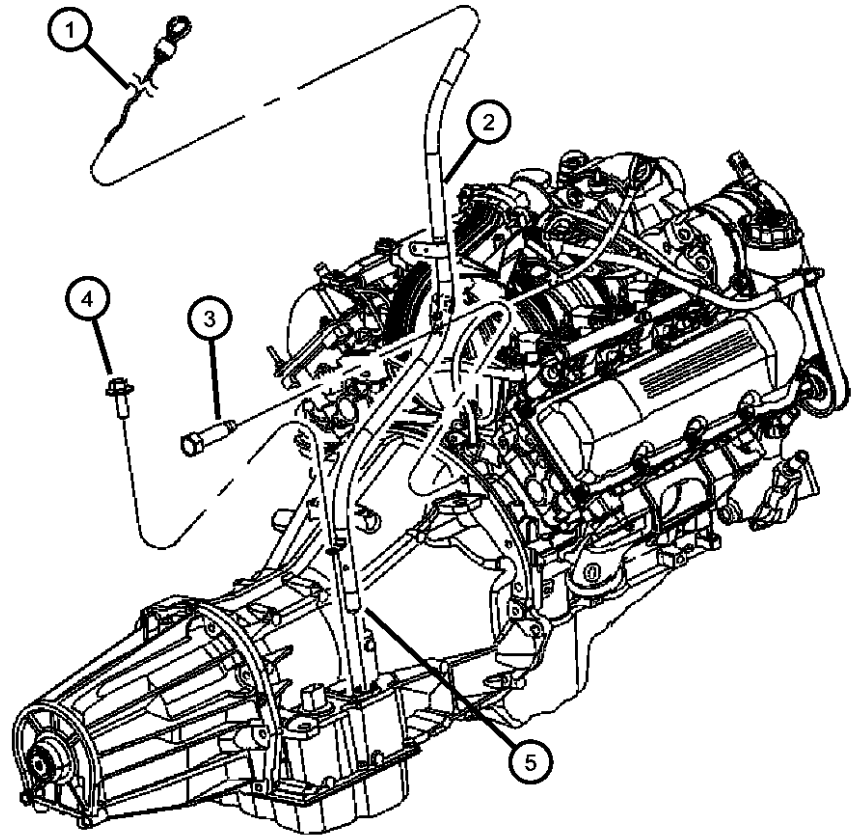
NOTE:

Sales Codes:

[DGV]=4 Speed Automatic Transmission - [42RLE / VLP]

[DG6]=4 Speed Automatic Transmission - [42RLE]

1	53013592AC	1					DG6, DGV		INDICATOR, Transmission Fluid Level
2	53013591AC	1				EK0	DG6, DGV		TUBE, Transmission Oil Filler
3	06022266	4				EK0	DG0		SCREW, Hex Head, .375-16x1.5
4	06501979	1					DG0		SCREW AND WASHER, Hex Head, M6x1x17
5	04810021	1	T				DGV		GROMMET
		1	J, U				DGV		
		1	J, U				DG6		
		1	T				DG6		



**LIBERTY (KJ)**

SERIES	LINE
H = HIGHLINE	T = JEEP - 2WD
M = MEDIUM	J = JEEP - 4WD
P = PREMIUM	U = JEEP - 4WD (RHD)

BODY
74 = SPORT UTILITY 4-DR

ENGINE	TRANSMISSION
EKG = 3.7L V6 Engine	DG6 = 4-Spd. Automatic 42RLE
ENR = 2.8L 4 Cyl Turbo Diesel Engine	Transmission
ENJ = 2.5L 4 Cyl 16V Turbo Diesel Engine	DGV = 4-Spd. Automatic VLP
ED1 = 2.4L 4 Cyl DOHC 16v SMPI Engine	Transmission
	DGQ = 5-Spd Automatic 5-45RFE
	Transmission
	DEH = 6-Speed Manual NSG370
	Transmission
	DDD = 5-Speed HD Manual
	Transmission
	DDK = 5-Speed HD Manual
	Transmission

AR = use ase required - = Non illustrated part

2006 KJ

**Overhaul & Seal Package  
Figure 42RLE-270**

ITEM	PART NUMBER	QTY	LINE	SERIES	BODY	ENGINE	TRANS	TRIM	DESCRIPTION
------	-------------	-----	------	--------	------	--------	-------	------	-------------

NOTE:

Sales Codes:

[DGV]=4 Speed Automatic Transmission - [42RLE / VLP]

[DG6]=4 Speed Automatic Transmission - [42RLE]

1

05103073AA	1	T					DGV		GASKET PACKAGE, Transmission
	1	T					DG6		
	1	J, U					DG6		
	1	J, U					DGV		

①

**4883260 Seal and Gasket Package, Transmission Oil Pump**  
**4883240AB Seal and Gasket Package, Transmission Front Clutch**  
**5101917AB Gasket and Seal Package, Valve Body**  
**4800253AA Gasket, Clutch Retainer**  
**K4659374 Seal, Transmission 2nd & 4th Clutch Piston (D-Ring) Outer**  
**K4659376 Seal, Transmission 2nd & 4th Clutch Piston (D-Ring) Inner**  
**K4659855 Seal, Reverse Clutch inner**  
**K4659856 Seal, Reverse Clutch outer**  
**4431612 Retainer and Seal, Transmission U/Drive Spring**  
**4431610 Piston, Underdrive**  
**4446612 Cup, Parking Brake Sprag**  
**4659946AB Valve, Cooler Bypass**  
**6501702 Snap Ring, Transmission Input Shaft**  
**4799062 Oring, Speed Sensor**  
**4659980 Snap Ring, Underdrive Clutch**  
**4799858AA Snap Ring**  
**6504383 Bolt, Flex Plate to Torque Converter**

**LIBERTY (KJ)**

**SERIES**

H = HIGHLINE

M = MEDIUM

P = PREMIUM

**LINE**

T = JEEP - 2WD

J = JEEP - 4WD

U = JEEP - 4WD (RHD)

**BODY**

74 = SPORT UTILITY 4-DR

**ENGINE**

EKG = 3.7L V6 Engine

ENR = 2.8L 4 Cyl Turbo Diesel Engine

ENJ = 2.5L 4 Cyl 16V Turbo Diesel Engine

ED1 = 2.4L 4 Cyl DOHC 16v SMPI Engine

**TRANSMISSION**

DG6 = 4-Spd. Automatic 42RLE

Transmission

DGV = 4-Spd. Automatic VLP

Transmission

DGQ = 5-Spd Automatic 5-45RFE

Transmission

DEH = 6-Speed Manual NSG370

Transmission

DDD = 5-Speed HD Manual

Transmission

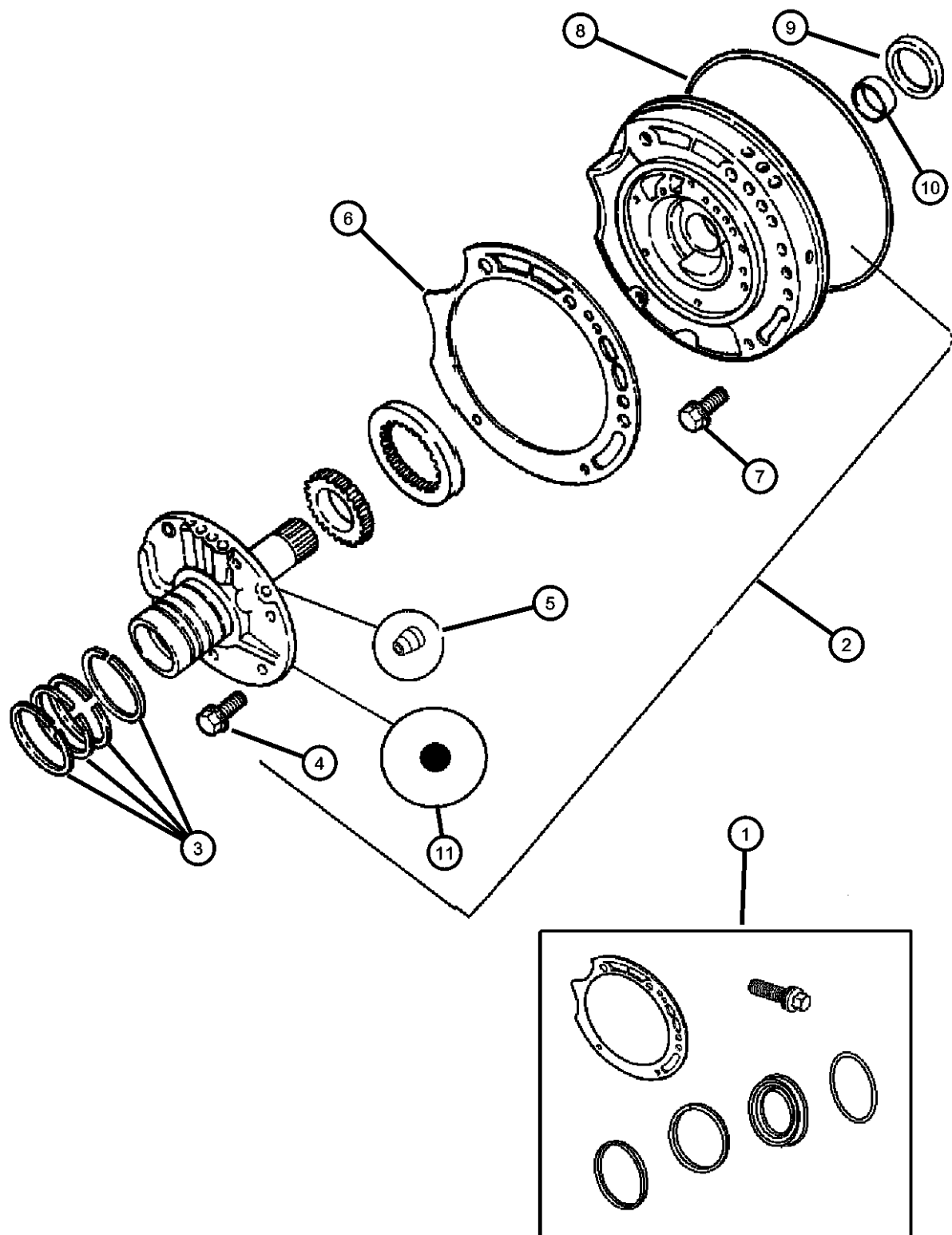
DDK = 5-Speed HD Manual

Transmission

AR = use ase required - = Non illustrated part

2006 KJ

**Oil Pump & Reaction Shaft  
Figure 42RLE-310**



ITEM	PART NUMBER	QTY	LINE	SERIES	BODY	ENGINE	TRANS	TRIM	DESCRIPTION
NOTE: Sales Codes: [DG6]=4 Speed Automatic Transmission - [42RLE]									
1									SEAL AND GASKET PACKAGE, Transmission Oil Pump
	04883260AB	1	T				DG6		
		1	J, U				DG6		
2									PUMP, Transmission Oil
	05127199AA	1	J, U				DG6		
		1	T				DG6		
3									SEAL, Ring Reaction Support, 2 1/16 O.D.
	04471874	4	J, U				DG6		
		4	T				DG6		
4									BOLT, Hex Head, M8x1.25x19
	06500211	6	J, U				DG6		
		6	T				DG6		
5									BALL, Check
	00147482	2	J, U				DG6		
		2	T				DG6		
6									GASKET, Transmission Oil Pump
	04412844	1	J, U				DG6		
		1	T				DG6		
7									SCREW AND WASHER, Hex Flange Head, M8x1.25x25
	06506408AA	5	J, U				DG6		
		5	T				DG6		
8									SEAL, Oil Pump
	04659945	1	J, U				DG6		
		1	T				DG6		
9									BUSHING, Front Pump
	04659515	1	J, U				DG6		
		1	T				DG6		

**LIBERTY (KJ)**

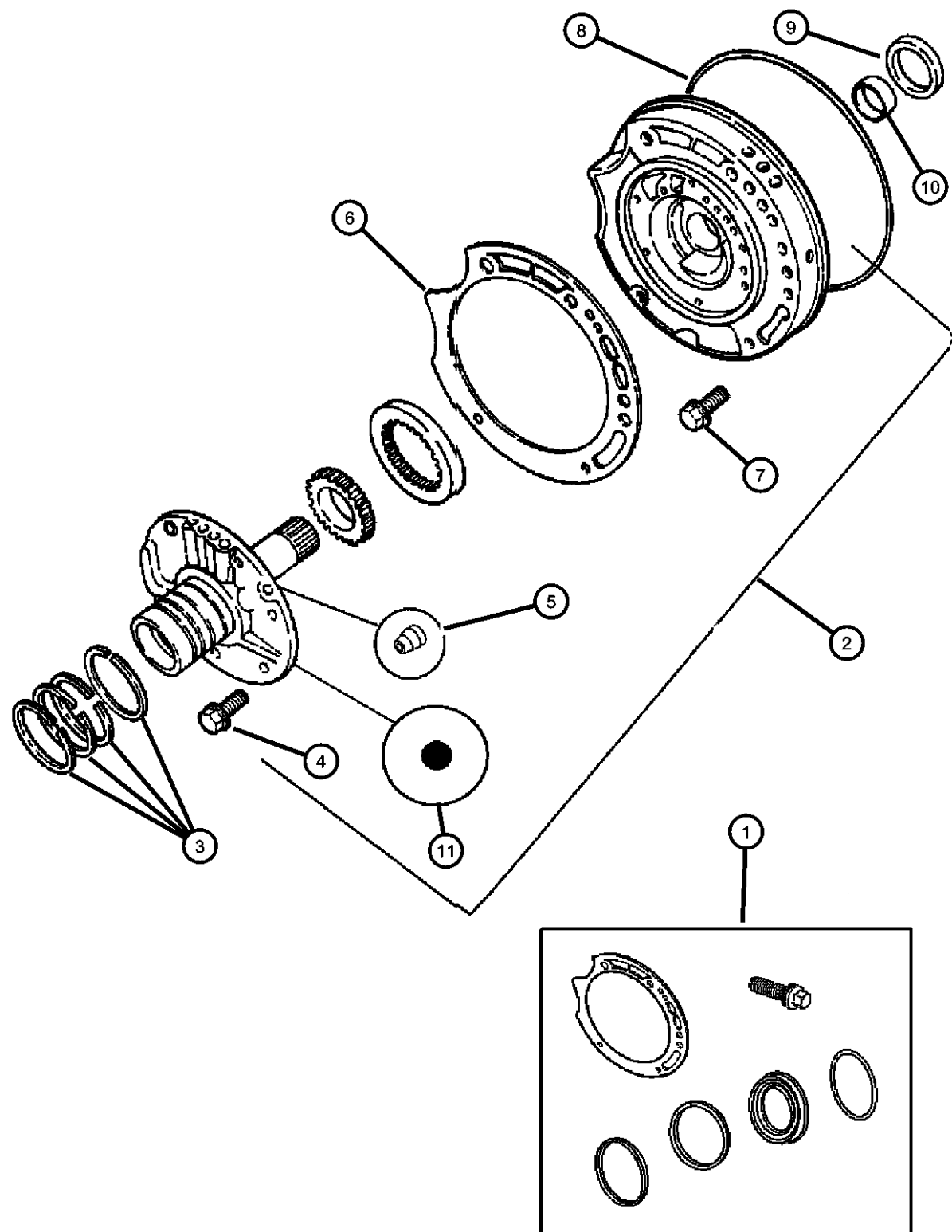
SERIES      LINE  
H = HIGHLINE    T = JEEP - 2WD  
M = MEDIUM     J = JEEP - 4WD  
P = PREMIUM    U = JEEP - 4WD (RHD)

BODY  
74 = SPORT UTILITY 4-DR

ENGINE      TRANSMISSION  
EKG = 3.7L V6 Engine      DG6 = 4-Spd. Automatic 42RLE  
ENR = 2.8L 4 Cyl Turbo Diesel      Transmission  
Engine      DGV = 4-Spd. Automatic VLP  
ENJ = 2.5L 4 Cyl 16V Turbo      Transmission  
Diesel Engine      DGQ = 5-Spd Automatic 5-45RFE  
ED1 = 2.4L 4 Cyl DOHC 16v      Transmission  
SMPI Engine      DEH = 6-Speed Manual NSG370  
Transmission  
DDD = 5-Speed HD Manual  
Transmission  
DDK = 5-Speed HD Manual  
Transmission

AR = use ase required    - = Non illustrated part

Oil Pump & Reaction Shaft  
Figure 42RLE-310



ITEM	PART NUMBER	QTY	LINE	SERIES	BODY	ENGINE	TRANS	TRIM	DESCRIPTION
10	04412475	1	J, U				DG6		SEAL, Impeller Hub, 57.25mm OD
		1	T				DG6		
11	00152127	11	J, U				DG6		BALL, Transmission Oil Pump
		1	T				DG6		

LIBERTY (KJ)

SERIES  
 H = HIGHLINE  
 M = MEDIUM  
 P = PREMIUM

LINE  
 T = JEEP - 2WD  
 J = JEEP - 4WD  
 U = JEEP - 4WD (RHD)

BODY  
 74 = SPORT UTILITY 4-DR

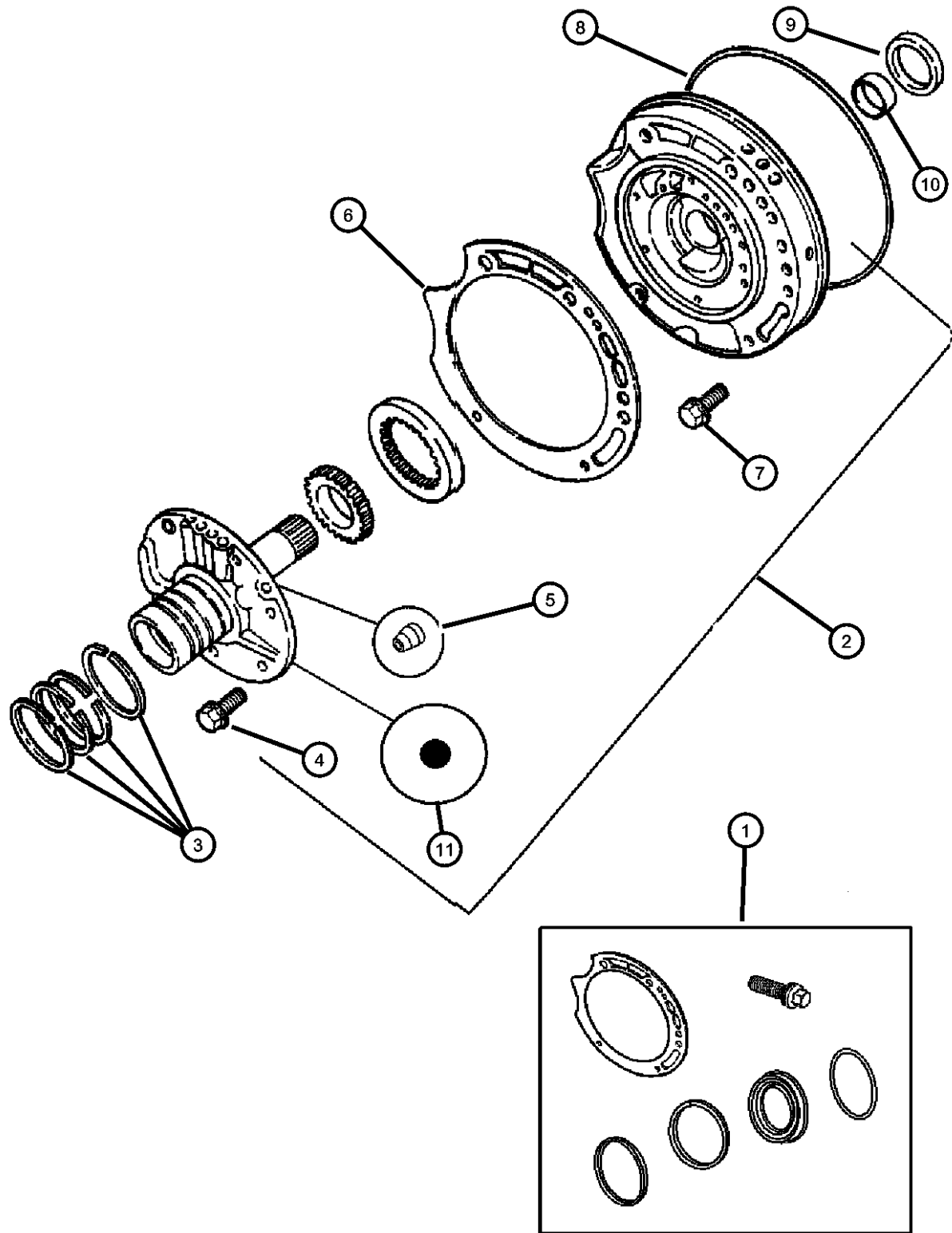
ENGINE  
 EKG = 3.7L V6 Engine  
 ENR = 2.8L 4 Cyl Turbo Diesel Engine  
 ENJ = 2.5L 4 Cyl 16V Turbo Diesel Engine  
 ED1 = 2.4L 4 Cyl DOHC 16v SMPI Engine

TRANSMISSION  
 DG6 = 4-Spd. Automatic 42RLE Transmission  
 DGV = 4-Spd. Automatic VLP Transmission  
 DGQ = 5-Spd Automatic 5-45RFE Transmission  
 DEH = 6-Speed Manual NSG370 Transmission  
 DDD = 5-Speed HD Manual Transmission  
 DDK = 5-Speed HD Manual Transmission

AR = use ase required - = Non illustrated part

2006 KJ

**Oil Pump & Reaction Shaft  
Figure 42RLE-320**



ITEM	PART NUMBER	QTY	LINE	SERIES	BODY	ENGINE	TRANS	TRIM	DESCRIPTION
1									SEAL AND GASKET PACKAGE, Transmission Oil Pump
	04883260AB	1	T				DGV		
		1	J, U				DGV		
2									PUMP, Transmission Oil
	05127199AA	1	J, U				DGV		
		1	T				DGV		
3									SEAL, Ring Reaction Support, 2 1/16 O.D.
	04471874	4	J, U				DGV		
		4	T				DGV		
4									BOLT, Hex Head, M8x1.25x19
	06500211	6	J, U				DGV		
		6	T				DGV		
5									BALL, Check
	00147482	2	T				DGV		
		2	J, U				DGV		
6									GASKET, Transmission Oil Pump
	04412844	1	T				DGV		
		1	J, U				DGV		
7									SCREW AND WASHER, Hex Flange Head, M8x1.25x25
	06506408AA	5	T				DGV		
		5	J, U				DGV		
8									SEAL, Oil Pump
	04659945	1	T				DGV		
		1	J, U				DGV		
9									BUSHING, Front Pump
	04659515	1	J, U				DGV		
		1	T				DGV		

**LIBERTY (KJ)**

SERIES      LINE  
H = HIGHLINE    T = JEEP - 2WD  
M = MEDIUM     J = JEEP - 4WD  
P = PREMIUM    U = JEEP - 4WD (RHD)

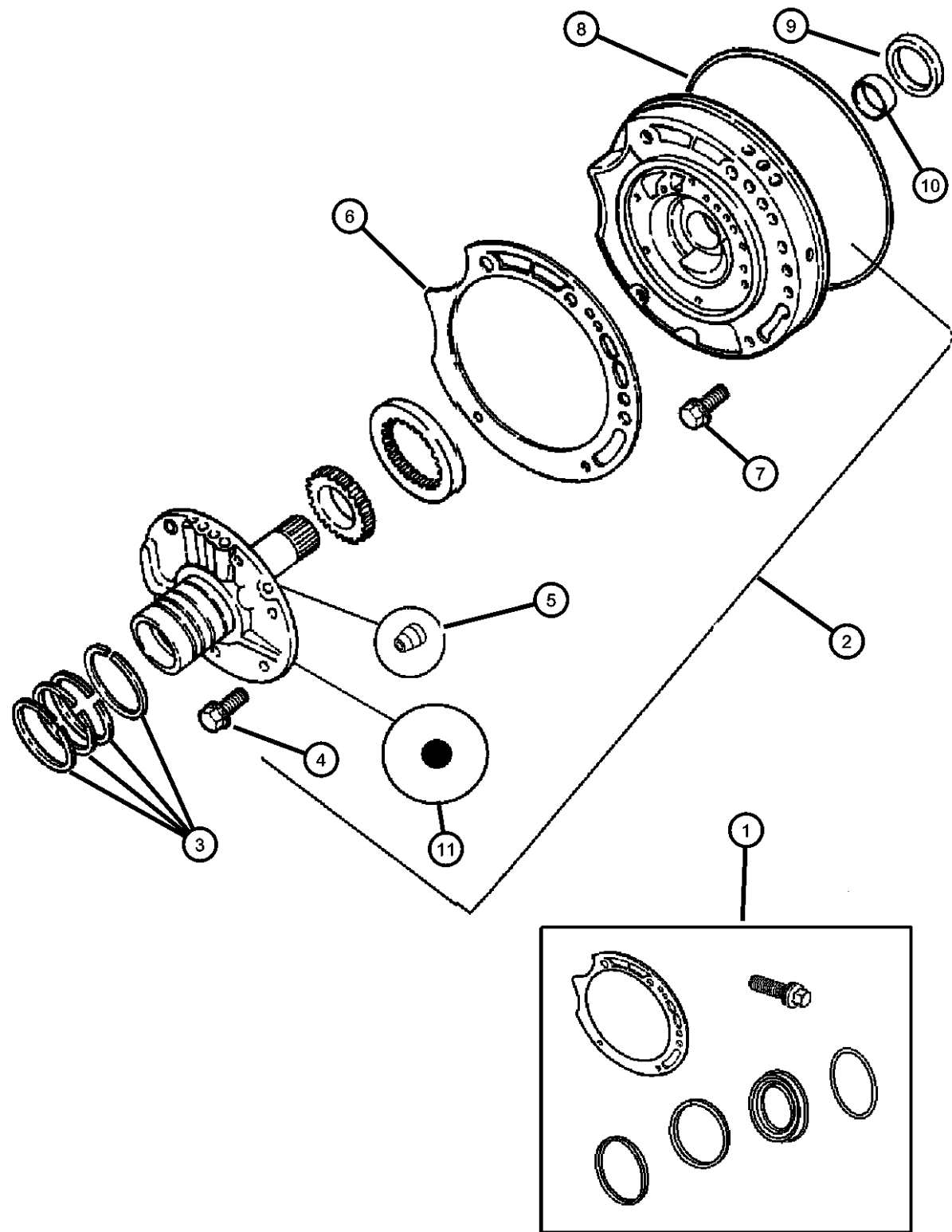
BODY  
74 = SPORT UTILITY 4-DR

ENGINE      TRANSMISSION  
EKG = 3.7L V6 Engine      DG6 = 4-Spd. Automatic 42RLE  
ENR = 2.8L 4 Cyl Turbo Diesel      Transmission  
Engine      DGV = 4-Spd. Automatic VLP  
ENJ = 2.5L 4 Cyl 16V Turbo      Transmission  
Diesel Engine      DGQ = 5-Spd Automatic 5-45RFE  
ED1 = 2.4L 4 Cyl DOHC 16v      Transmission  
SMPI Engine      DEH = 6-Speed Manual NSG370  
Transmission  
DDD = 5-Speed HD Manual  
Transmission  
DDK = 5-Speed HD Manual  
Transmission

AR = use ase required - = Non illustrated part



**Oil Pump & Reaction Shaft  
Figure 42RLE-320**



ITEM	PART NUMBER	QTY	LINE	SERIES	BODY	ENGINE	TRANS	TRIM	DESCRIPTION
10	04412475	1	J, U				DGV		SEAL, Impeller Hub, 57.25mm OD
		1	T				DGV		
11	00152127	1	T				DGV		BALL, Transmission Oil Pump
		1	J, U				DGV		

**LIBERTY (KJ)**

SERIES	LINE
H = HIGHLINE	T = JEEP - 2WD
M = MEDIUM	J = JEEP - 4WD
P = PREMIUM	U = JEEP - 4WD (RHD)

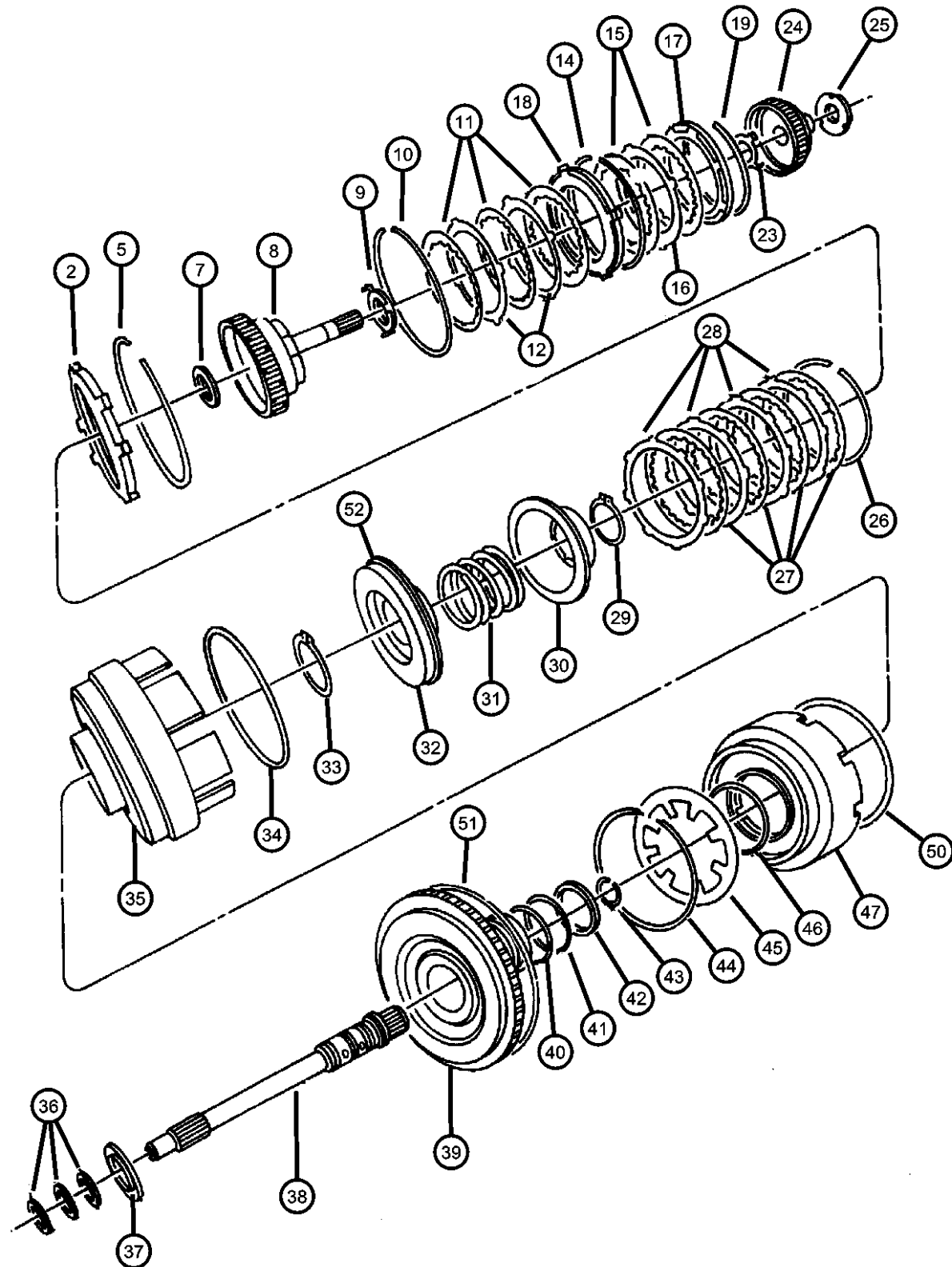
**BODY**  
74 = SPORT UTILITY 4-DR

**ENGINE**  
EKG = 3.7L V6 Engine  
ENR = 2.8L 4 Cyl Turbo Diesel Engine  
ENJ = 2.5L 4 Cyl 16V Turbo Diesel Engine  
ED1 = 2.4L 4 Cyl DOHC 16v SMPI Engine

**TRANSMISSION**  
DG6 = 4-Spd. Automatic 42RLE Transmission  
DGV = 4-Spd. Automatic VLP Transmission  
DGQ = 5-Spd Automatic 5-45RFE Transmission  
DEH = 6-Speed Manual NSG370 Transmission  
DDD = 5-Speed HD Manual Transmission  
DDK = 5-Speed HD Manual Transmission

AR = use ase required - = Non illustrated part

Clutch, Input Shaft  
Figure 42RLE-410



ITEM	PART NUMBER	QTY	LINE	SERIES	BODY	ENGINE	TRANS	TRIM	DESCRIPTION
	NOTE: Sales Codes: [DG6]=4 Speed Automatic Transmission - [42RLE]								
-1									SEAL AND GASKET PACKAGE, Transmission Front Clutch
	04883240AB	1	T				DG6		
		1	J, U				DG6		
2									PLATE PACKAGE, Underdrive Reaction, 5.72/5.82
	04883013AB	1	J, U				DG6		
		1	T				DG6		
-3									PLATE PACKAGE, Underdrive Reaction, 6.21/6.31
	04883014AB	1	J, U				DG6		
		1	T				DG6		
-4									PLATE PACKAGE, Underdrive Reaction, 6.70/6.80
	04883015AB	1	J, U				DG6		
		1	T				DG6		
5									SNAP RING, Underdrive Clutch, Tapered
	04659934	1	T				DG6		
		1	J, U				DG6		
-6									SNAP RING, Underdrive Clutch, Flat
	04659980	1	T				DG6		
		1	J, U				DG6		
7									THRUST BEARING
	04800082AA	1	T				DG6		
		1	J, U				DG6		
8									HUB AND SHAFT PACKAGE, Underdrive Clutch
	04864936AC	1	J, U				DG6		
		1	T				DG6		

LIBERTY (KJ)

SERIES

H = HIGHLINE

M = MEDIUM

P = PREMIUM

LINE

T = JEEP - 2WD

J = JEEP - 4WD

U = JEEP - 4WD (RHD)

BODY

74 = SPORT UTILITY 4-DR

ENGINE

EKG = 3.7L V6 Engine

ENR = 2.8L 4 Cyl Turbo Diesel Engine

ENJ = 2.5L 4 Cyl 16V Turbo Diesel Engine

ED1 = 2.4L 4 Cyl DOHC 16v SMPI Engine

TRANSMISSION

DG6 = 4-Spd. Automatic 42RLE Transmission

DGV = 4-Spd. Automatic VLP Transmission

DGQ = 5-Spd Automatic 5-45RFE Transmission

DEH = 6-Speed Manual NSG370 Transmission

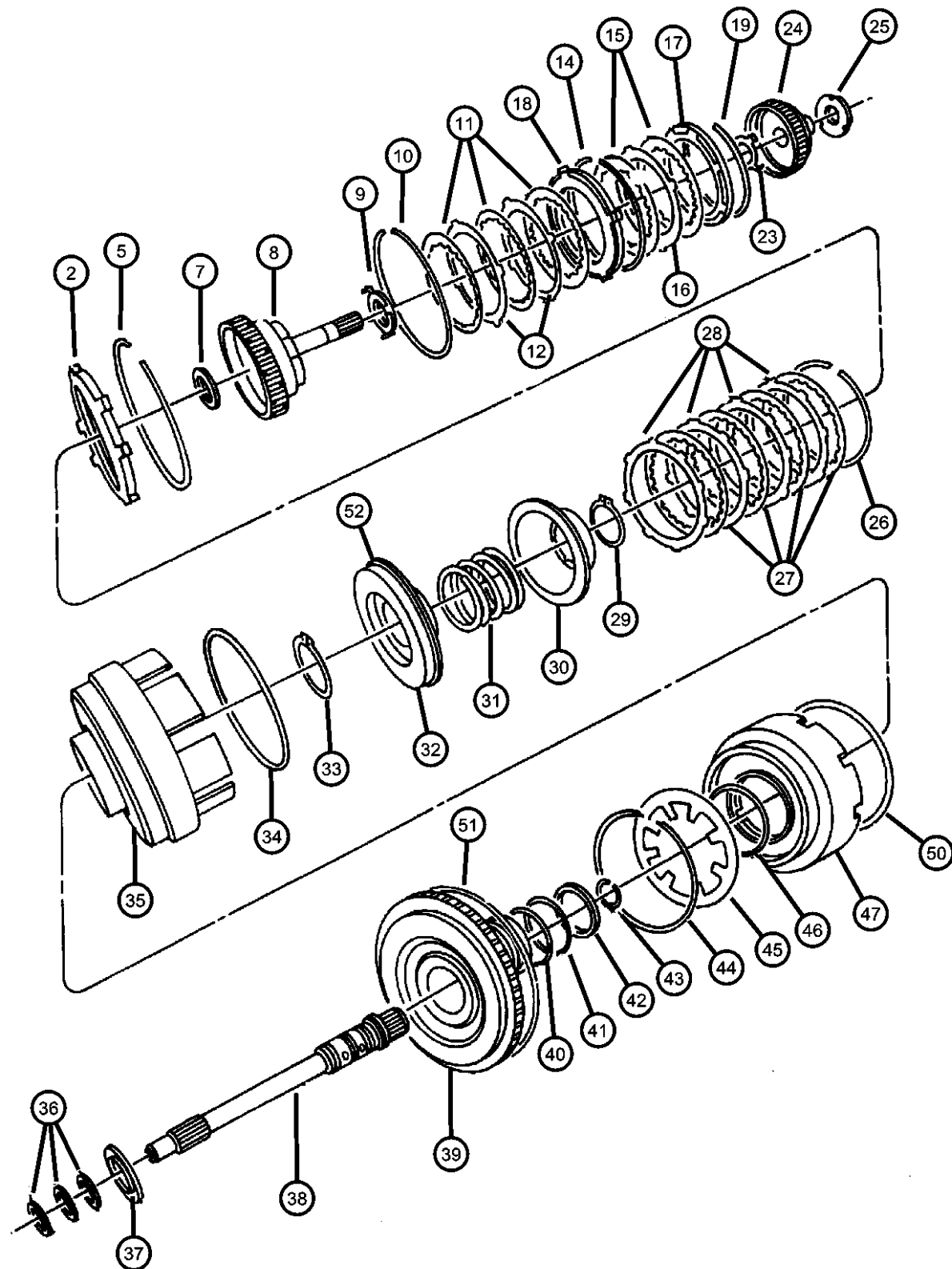
DDD = 5-Speed HD Manual Transmission

DDK = 5-Speed HD Manual Transmission

AR = use ase required - = Non illustrated part

2006 KJ

Clutch, Input Shaft  
Figure 42RLE-410



ITEM	PART NUMBER	QTY	LINE	SERIES	BODY	ENGINE	TRANS	TRIM	DESCRIPTION
9									PLATE AND WASHER PACKAGE, Thrust
	05018923AA	1	T				DG6		
		1	J, U				DG6		
10									SNAP RING
	04505621	1	T				DG6		
		1	J, U				DG6		
11									DISC, Clutch
	04531678	2	T				DG6		
		4	J, U				DG6		
12									PLATE, Transmission O/Drive Clutch
	04659053	4	T				DG6		
		3	J, U				DG6		
-13									HUB PACKAGE, Input Clutch
	05017518AB	1	J, U				DG6		
		1	T				DG6		
14									SNAP RING
	04505622	1	T				DG6		
		1	J, U				DG6		
15									DISC, Clutch
	04531678	2	J, U				DG6		
		4	T				DG6		
16									PLATE, Transmission O/Drive Clutch
	04659053	4	J, U				DG6		
		4	T				DG6		
17									PLATE, Transmission Clutch Reaction
	04377194	1	T				DG6		
		1	J, U				DG6		

LIBERTY (KJ)

SERIES

H = HIGHLINE

M = MEDIUM

P = PREMIUM

LINE

T = JEEP - 2WD

J = JEEP - 4WD

U = JEEP - 4WD (RHD)

BODY

74 = SPORT UTILITY 4-DR

ENGINE

EKG = 3.7L V6 Engine

ENR = 2.8L 4 Cyl Turbo Diesel Engine

ENJ = 2.5L 4 Cyl 16V Turbo Diesel Engine

ED1 = 2.4L 4 Cyl DOHC 16v SMPI Engine

TRANSMISSION

DG6 = 4-Spd. Automatic 42RLE

Transmission

DGV = 4-Spd. Automatic VLP

Transmission

DGQ = 5-Spd Automatic 5-45RFE

Transmission

DEH = 6-Speed Manual NSG370

Transmission

DDD = 5-Speed HD Manual

Transmission

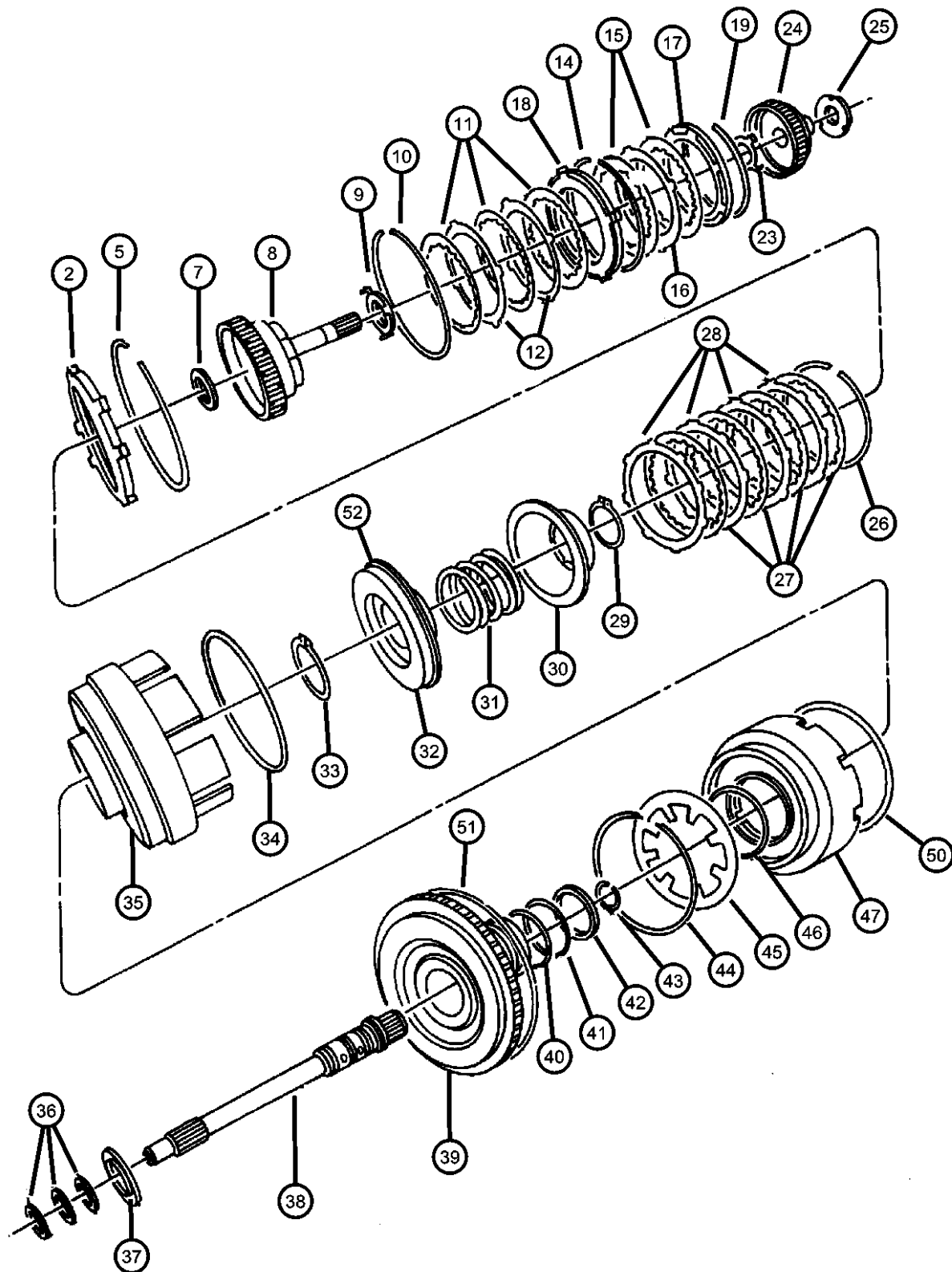
DDK = 5-Speed HD Manual

Transmission

AR = use ase required - = Non illustrated part

2006 KJ

Clutch, Input Shaft  
Figure 42RLE-410



ITEM	PART NUMBER	QTY	LINE	SERIES	BODY	ENGINE	TRANS	TRIM	DESCRIPTION
18									PLATE, Transmission O/Drive Clutch
	04531556AD	1	T				DG6		
		1	J, U				DG6		
19									SNAP RING
	04377195	1	T				DG6		
		1	J, U				DG6		
-20									SNAP RING, Reverse Clutch, 1.77-1.83mm
	04412871	1	T				DG6		
		1	J, U				DG6		
-21									SNAP RING, Reverse Clutch, 2.02-2.07mm
	04412872	1	T				DG6		
		1	J, U				DG6		
-22									SNAP RING, Reverse Clutch, 2.27-2.32mm
	04412873	1	T				DG6		
		1	J, U				DG6		
23									PLATE AND WASHER PACKAGE, Thrust
	05018923AA	1	T				DG6		
		1	J, U				DG6		
24									HUB AND SHAFT, Overdrive Clutch
	04659993	1	T				DG6		
		1	J, U				DG6		
25									PLATE, Transmission O/Drive Clutch
	03836237AB	AR	J, U				DG6		[1.70/1.77MM]
		AR	T				DG6		[1.70/1.77MM]
	03836238AB	AR	J, U				DG6		[1.92/1.99MM]
		AR	T				DG6		[1.92/1.99MM]
	03836239AB	AR	J, U				DG6		[2.14/2.21MM]

LIBERTY (KJ)

SERIES LINE  
H = HIGHLINE T = JEEP - 2WD  
M = MEDIUM J = JEEP - 4WD  
P = PREMIUM U = JEEP - 4WD (RHD)

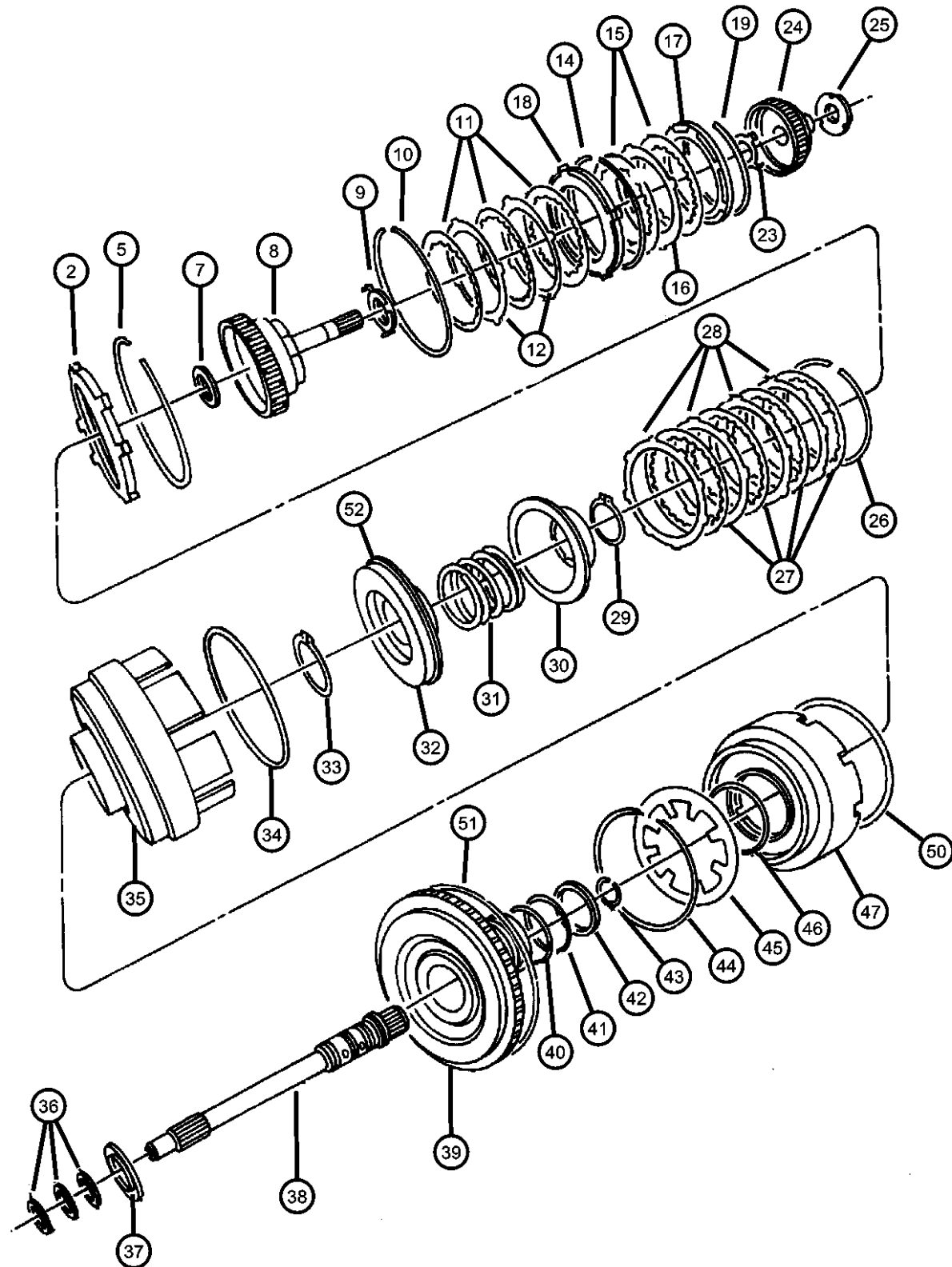
BODY  
74 = SPORT UTILITY 4-DR

ENGINE TRANSMISSION  
EKG = 3.7L V6 Engine DG6 = 4-Spd. Automatic 42RLE  
ENR = 2.8L 4 Cyl Turbo Diesel Transmission  
Engine DGV = 4-Spd. Automatic VLP  
ENJ = 2.5L 4 Cyl 16V Turbo Transmission  
Diesel Engine DGQ = 5-Spd Automatic 5-45RFE  
ED1 = 2.4L 4 Cyl DOHC 16v Transmission  
SMPI Engine DEH = 6-Speed Manual NSG370  
Transmission  
DDD = 5-Speed HD Manual  
Transmission  
DDK = 5-Speed HD Manual  
Transmission

AR = use ase required - = Non illustrated part

2006 KJ

Clutch, Input Shaft  
Figure 42RLE-410



ITEM	PART NUMBER	QTY	LINE	SERIES	BODY	ENGINE	TRANS	TRIM	DESCRIPTION
		AR	T				DG6		[2.14/2.21MM]
	03836240AB	AR	J, U				DG6		[2.36/2.43MM]
		AR	T				DG6		[2.36/2.43MM]
	03836241AB	AR	J, U				DG6		[2.58/2.65MM]
		AR	T				DG6		[2.58/2.65MM]
	04431665AB	AR	J, U				DG6		[1.55/1.66MM]
		AR	T				DG6		[1.55/1.66MM]
	04431666AB	AR	J, U				DG6		[1.81/1.88MM]
		AR	T				DG6		[1.81/1.88MM]
	04431667AB	AR	J, U				DG6		[2.03/2.10MM]
		AR	T				DG6		[2.03/2.10MM]
	04431668AB	AR	J, U				DG6		[2.25/2.32MM]
		AR	T				DG6		[2.25/2.32MM]
	04431669AB	AR	J, U				DG6		[2.47/2.52MM]
		AR	T				DG6		[2.47/2.52MM]
	04446670AB	AR	J, U				DG6		[2.69/2.76MM]
		AR	T				DG6		[2.69/2.76MM]
	04446671AB	AR	J, U				DG6		[2.91/2.98MM]
		AR	T				DG6		[2.91/2.98MM]
26									SNAP RING, Underdrive Clutch, Flat
	04659980	1	T				DG6		
		1	J, U				DG6		
27									DISC, Clutch
	04531678	4	T				DG6		
		4	J, U				DG6		
28									PLATE, Transmission O/Drive Clutch
	04659053	4	J, U				DG6		
		4	T				DG6		
29									SNAP RING

LIBERTY (KJ)

SERIES

H = HIGHLINE

M = MEDIUM

P = PREMIUM

LINE

T = JEEP - 2WD

J = JEEP - 4WD

U = JEEP - 4WD (RHD)

BODY

74 = SPORT UTILITY 4-DR

ENGINE

EKG = 3.7L V6 Engine

ENR = 2.8L 4 Cyl Turbo Diesel Engine

ENJ = 2.5L 4 Cyl 16V Turbo Diesel Engine

ED1 = 2.4L 4 Cyl DOHC 16v SMPI Engine

TRANSMISSION

DG6 = 4-Spd. Automatic 42RLE

Transmission

DGV = 4-Spd. Automatic VLP

Transmission

DGQ = 5-Spd Automatic 5-45RFE

Transmission

DEH = 6-Speed Manual NSG370

Transmission

DDD = 5-Speed HD Manual

Transmission

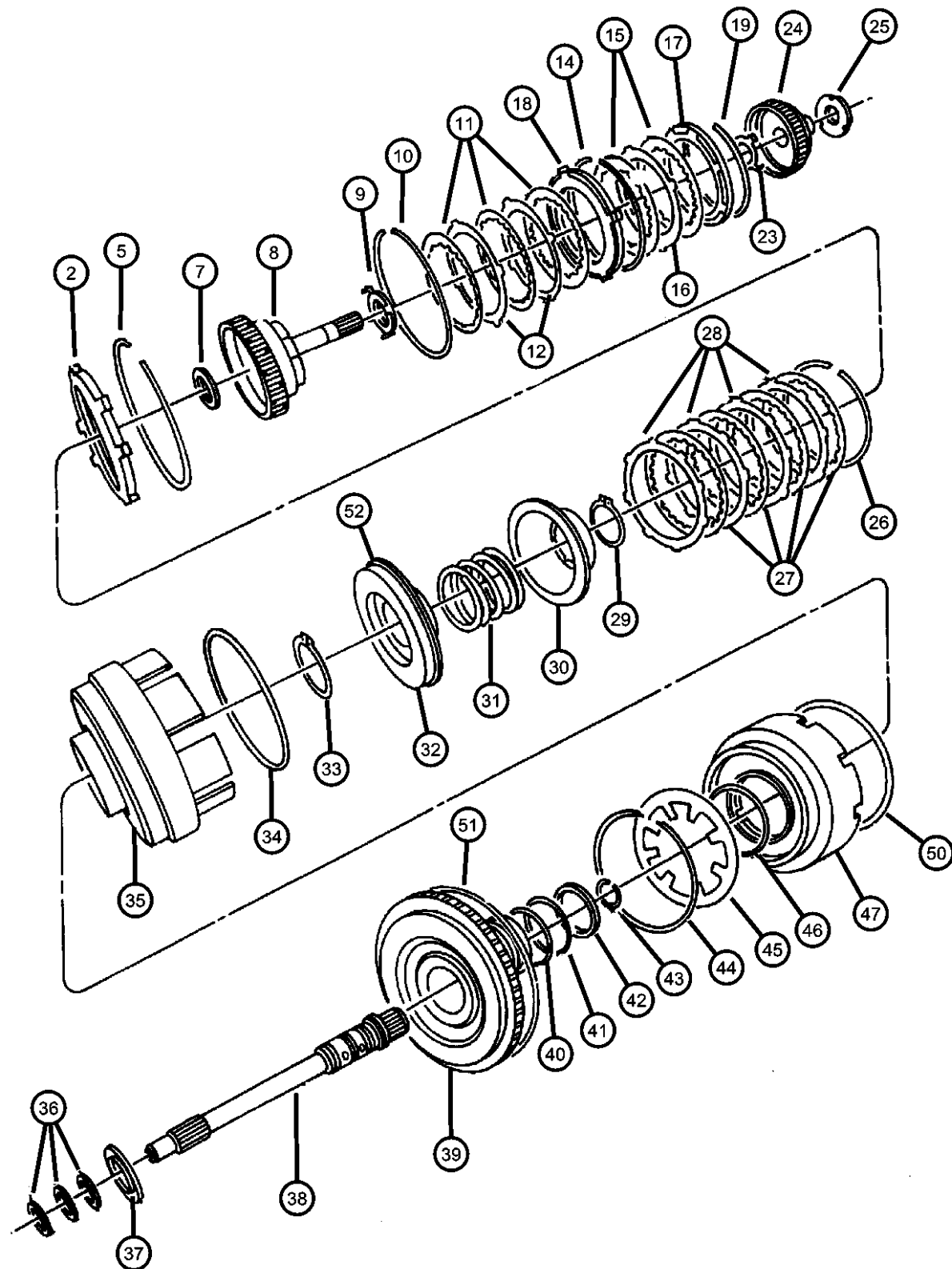
DDK = 5-Speed HD Manual

Transmission

AR = use ase required - = Non illustrated part

2006 KJ

Clutch, Input Shaft  
Figure 42RLE-410



ITEM	PART NUMBER	QTY	LINE	SERIES	BODY	ENGINE	TRANS	TRIM	DESCRIPTION
	06501715	1	T				DG6		
		1	J, U				DG6		
30									RETAINER AND SEAL, Transmission U/Drive Spring
	04431612	1	T				DG6		
		1	J, U				DG6		
31									SPRING, Drive Lower Case
	04377177	1	T				DG6		
		1	J, U				DG6		
32									GASKET PACKAGE, Transmission
	05103073AA	1	T				DG6		
		1	J, U				DG6		
33									SNAP RING
	06507226AA	1	T				DG6		
		1	J, U				DG6		
34									SEAL, Piston Outer, 140mm OD
	04659871	1	T				DG6		
		1	J, U				DG6		
35									RETAINER, Transmission Input Clutch
	04659935	1	T				DG6		
		1	J, U				DG6		
36									SEAL, Input Shaft
	04446543	3	T				DG6		
		3	J, U				DG6		
37									THRUST BEARING
	04412209	1	J, U				DG6		
		1	T				DG6		
38									INPUT SHAFT PACKAGE, Transaxle
	04626452AB	1	T				DG6		

LIBERTY (KJ)

SERIES LINE  
H = HIGHLINE T = JEEP - 2WD  
M = MEDIUM J = JEEP - 4WD  
P = PREMIUM U = JEEP - 4WD (RHD)

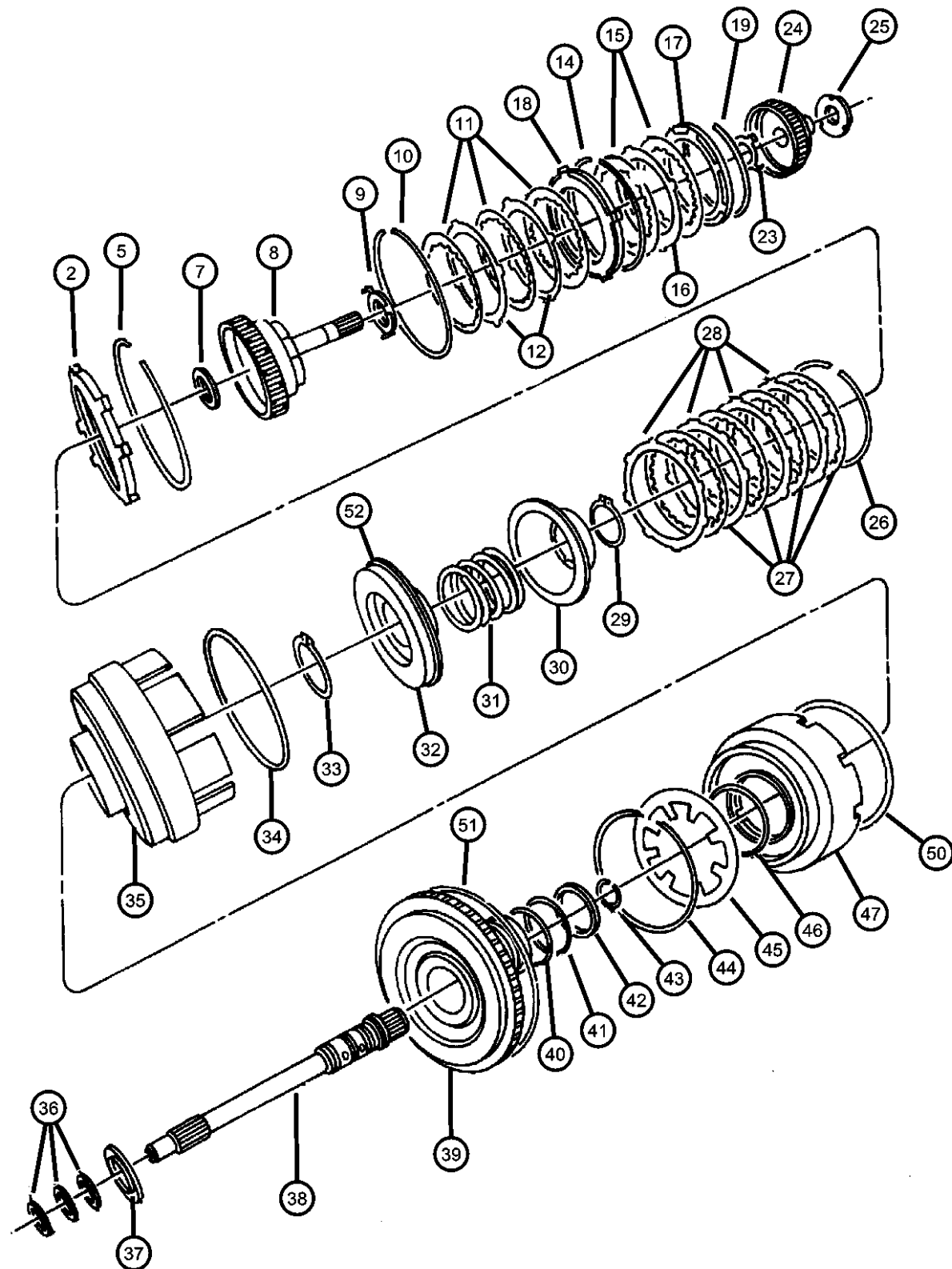
BODY  
74 = SPORT UTILITY 4-DR

ENGINE TRANSMISSION  
EKG = 3.7L V6 Engine DG6 = 4-Spd. Automatic 42RLE  
ENR = 2.8L 4 Cyl Turbo Diesel Transmission  
Engine DGV = 4-Spd. Automatic VLP  
ENJ = 2.5L 4 Cyl 16V Turbo Transmission  
Diesel Engine DGQ = 5-Spd Automatic 5-45RFE  
ED1 = 2.4L 4 Cyl DOHC 16v Transmission  
SMPI Engine DEH = 6-Speed Manual NSG370  
Transmission  
DDD = 5-Speed HD Manual  
Transmission  
DDK = 5-Speed HD Manual  
Transmission

AR = use ase required - = Non illustrated part

2006 KJ

Clutch, Input Shaft  
Figure 42RLE-410



ITEM	PART NUMBER	QTY	LINE	SERIES	BODY	ENGINE	TRANS	TRIM	DESCRIPTION
							DG6		
39		1	J, U						HUB, Input Clutch, Serviced in Assembly, (NOT SERVICED)
40		1							O RING, Transmission Clutch
	06502271	1	T				DG6		
41		1	J, U				DG6		O RING, Transmission Clutch
	06502269	1	J, U				DG6		
42		2	T				DG6		SEAL, Under Drive
	04659391AB	1	T				DG6		
43		1	J, U				DG6		SNAP RING
	06501702	1	T				DG6		
44		1	J, U				DG6		SNAP RING
	04412203	1	T				DG6		
45		1	J, U				DG6		SPRING, Overdrive Piston
	04412202	1	T				DG6		
46		1	J, U				DG6		O RING, Reverse & O/Drive Clutch Piston, Transmission
	06033158	1	T				DG6		
47		1	J, U				DG6		HUB PACKAGE, Input Clutch
	05017518AB	1	J, U				DG6		
-48		1	T				DG6		PISTON, Reverse and Overdrive, Serviced in Assembly, (NOT SERVICED)
-49		1							FILTER, Reverse And O/D Clutch

LIBERTY (KJ)

SERIES

H = HIGHLINE

M = MEDIUM

P = PREMIUM

LINE

T = JEEP - 2WD

J = JEEP - 4WD

U = JEEP - 4WD (RHD)

BODY

74 = SPORT UTILITY 4-DR

ENGINE

EKG = 3.7L V6 Engine

ENR = 2.8L 4 Cyl Turbo Diesel Engine

ENJ = 2.5L 4 Cyl 16V Turbo Diesel Engine

ED1 = 2.4L 4 Cyl DOHC 16v SMPI Engine

TRANSMISSION

DG6 = 4-Spd. Automatic 42RLE

Transmission

DGV = 4-Spd. Automatic VLP

Transmission

DGQ = 5-Spd Automatic 5-45RFE

Transmission

DEH = 6-Speed Manual NSG370

Transmission

DDD = 5-Speed HD Manual

Transmission

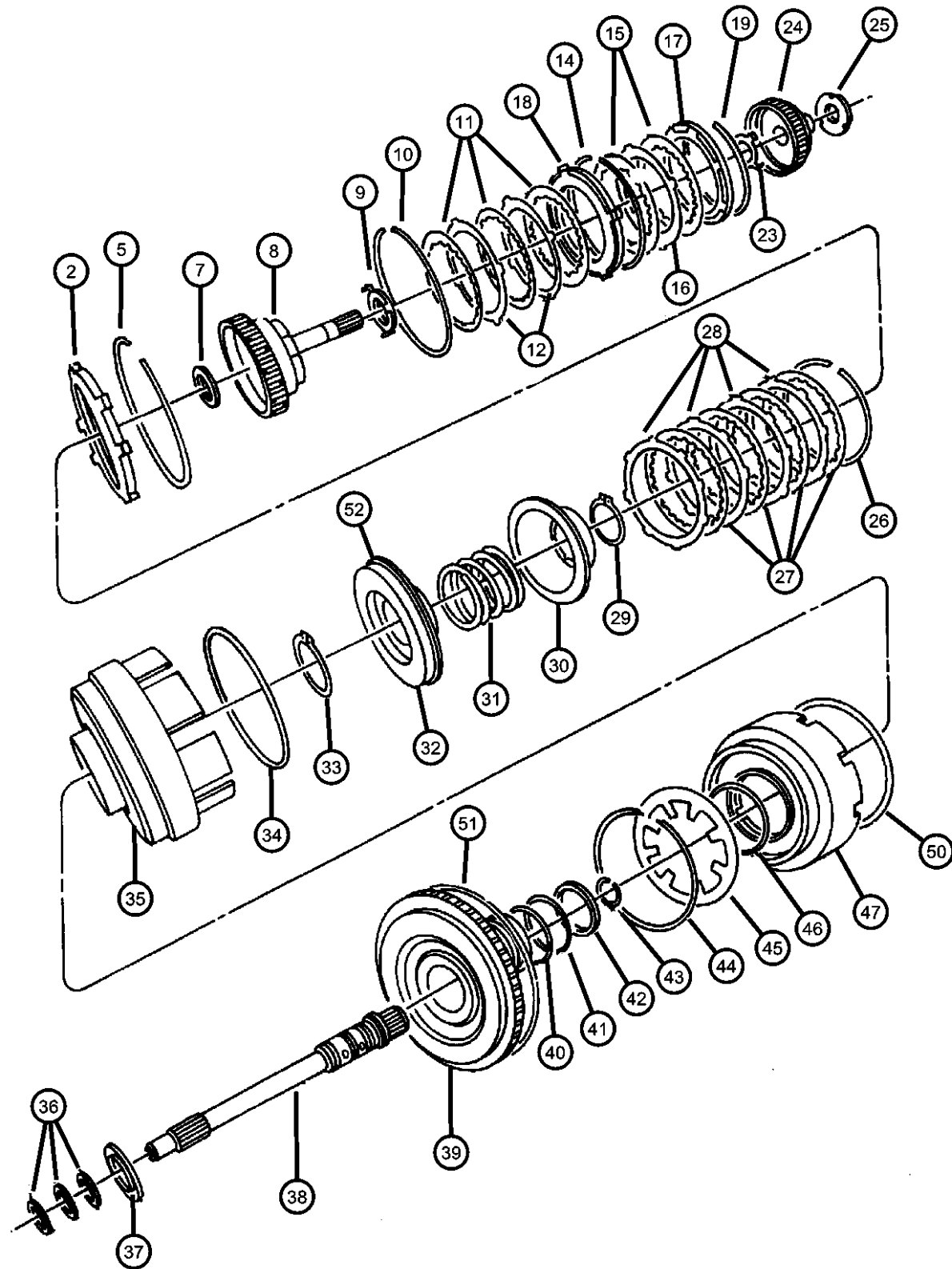
DDK = 5-Speed HD Manual

Transmission

AR = use ase required - = Non illustrated part

2006 KJ

Clutch, Input Shaft  
Figure 42RLE-410



ITEM	PART NUMBER	QTY	LINE	SERIES	BODY	ENGINE	TRANS	TRIM	DESCRIPTION
	04531903	1	J, U				DG6		
		1	T				DG6		
50									SEAL, Reverse Servo Piston
	04659056	1	T				DG6		
		1	J, U				DG6		
51									SEAL, Reverse Servo Piston
	04659056	1	T				DG6		
		1	J, U				DG6		
52									PISTON, Underdrive
	04431610	1	T				DG6		
		1	J, U				DG6		

LIBERTY (KJ)

SERIES

H = HIGHLINE  
M = MEDIUM  
P = PREMIUM

LINE

T = JEEP - 2WD  
J = JEEP - 4WD  
U = JEEP - 4WD (RHD)

BODY

74 = SPORT UTILITY 4-DR

ENGINE

EKG = 3.7L V6 Engine  
ENR = 2.8L 4 Cyl Turbo Diesel Engine  
ENJ = 2.5L 4 Cyl 16V Turbo Diesel Engine  
ED1 = 2.4L 4 Cyl DOHC 16v SMPI Engine

TRANSMISSION

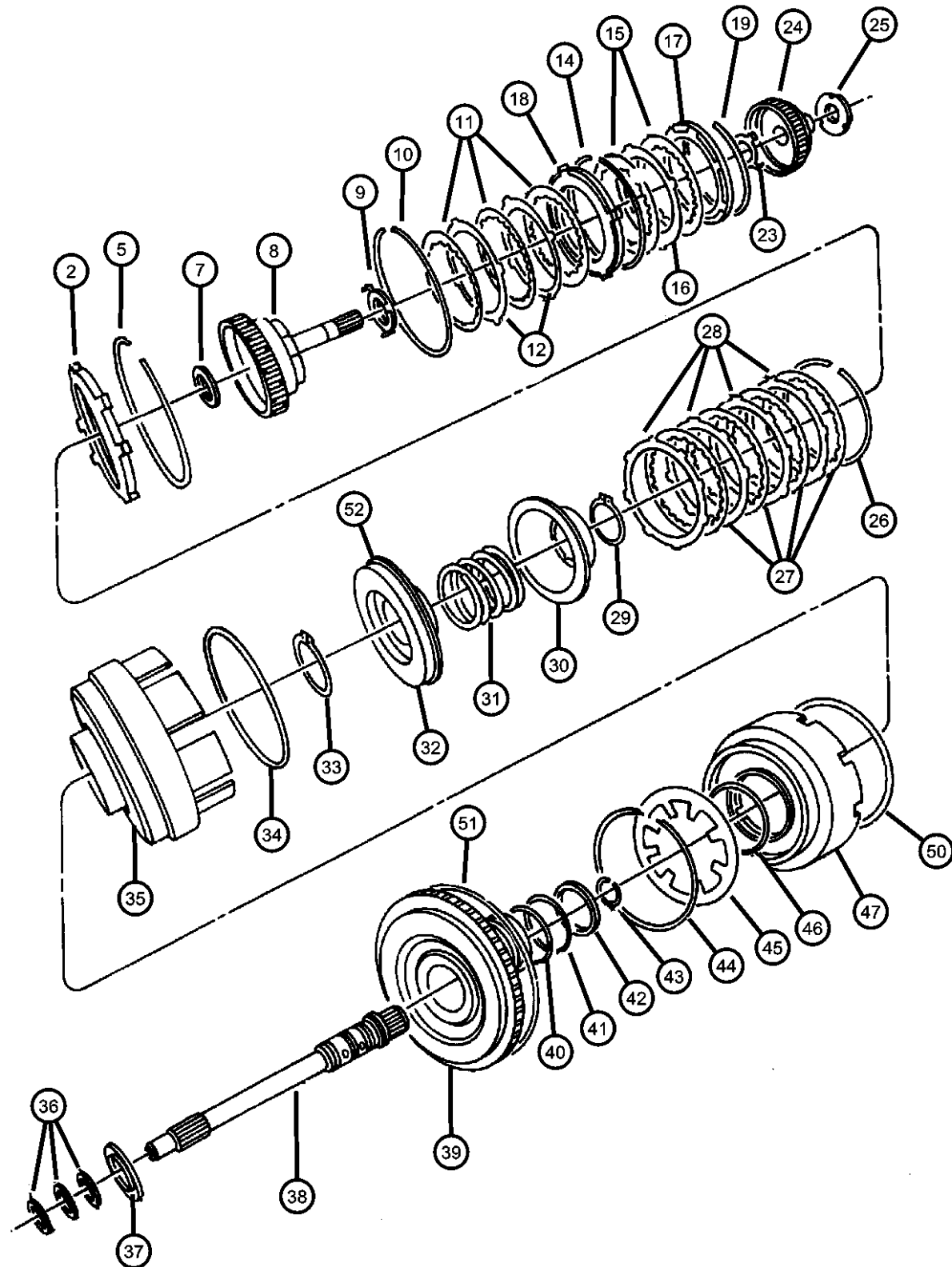
DG6 = 4-Spd. Automatic 42RLE Transmission  
DGV = 4-Spd. Automatic VLP Transmission  
DGQ = 5-Spd Automatic 5-45RFE Transmission  
DEH = 6-Speed Manual NSG370 Transmission  
DDD = 5-Speed HD Manual Transmission  
DDK = 5-Speed HD Manual Transmission

AR = use ase required - = Non illustrated part

2006 KJ



Clutch, Input Shaft  
Figure 42RLE-420



ITEM	PART NUMBER	QTY	LINE	SERIES	BODY	ENGINE	TRANS	TRIM	DESCRIPTION
NOTE: Sales Codes: [DGV]=4 Speed Automatic Transmission - [42RLE / VLP]									
-1									SEAL AND GASKET PACKAGE, Transmission Front Clutch
	04883240AB	1	T				DGV		
		1	J, U				DGV		
2									PLATE PACKAGE, Underdrive Reaction, 5.72/5.82
	04883013AB	1	J, U				DGV		
		1	T				DGV		
-3									PLATE PACKAGE, Underdrive Reaction, 6.21/6.31
	04883014AB	1	J, U				DGV		
		1	T				DGV		
-4									PLATE PACKAGE, Underdrive Reaction, 6.70/6.80
	04883015AB	1	J, U				DGV		
		1	T				DGV		
5									SNAP RING, Underdrive Clutch, Tapered
	04659934	1	T				DGV		
		1	J, U				DGV		
-6									SNAP RING, Underdrive Clutch, Flat
	04659980	1	T				DGV		
		1	J, U				DGV		
7									THRUST BEARING
	04800082AA	1	T				DGV		
		1	J, U				DGV		
8									HUB AND SHAFT PACKAGE, Underdrive Clutch
	04864936AC	1	T				DGV		
		1	J, U				DGV		

LIBERTY (KJ)

SERIES  
H = HIGHLINE  
M = MEDIUM  
P = PREMIUM

LINE  
T = JEEP - 2WD  
J = JEEP - 4WD  
U = JEEP - 4WD (RHD)

BODY  
74 = SPORT UTILITY 4-DR

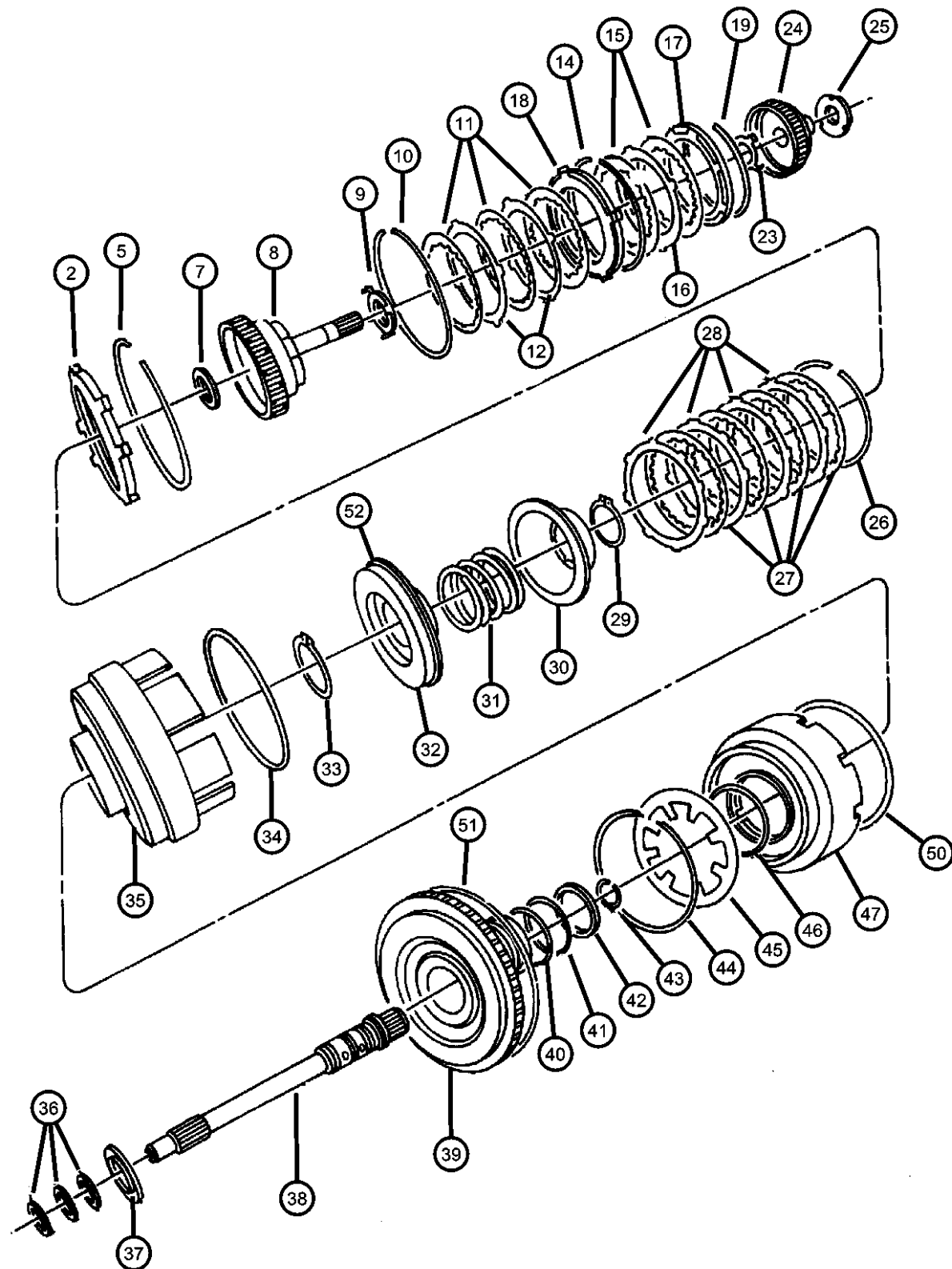
ENGINE  
EKG = 3.7L V6 Engine  
ENR = 2.8L 4 Cyl Turbo Diesel Engine  
ENJ = 2.5L 4 Cyl 16V Turbo Diesel Engine  
ED1 = 2.4L 4 Cyl DOHC 16v SMPI Engine

TRANSMISSION  
DG6 = 4-Spd. Automatic 42RLE Transmission  
DGV = 4-Spd. Automatic VLP Transmission  
DGQ = 5-Spd Automatic 5-45RFE Transmission  
DEH = 6-Speed Manual NSG370 Transmission  
DDD = 5-Speed HD Manual Transmission  
DDK = 5-Speed HD Manual Transmission

AR = use ase required - = Non illustrated part

2006 KJ

Clutch, Input Shaft  
Figure 42RLE-420



ITEM	PART NUMBER	QTY	LINE	SERIES	BODY	ENGINE	TRANS	TRIM	DESCRIPTION
9									PLATE AND WASHER PACKAGE, Thrust
	05018923AA	1	T				DGV		
		1	J, U				DGV		
10									SNAP RING
	04505621	1	T				DGV		
		1	J, U				DGV		
11									DISC, Clutch
	04531678	2	T				DGV		
		4	J, U				DGV		
12									PLATE, Transmission O/Drive Clutch
	04659053	1	T				DGV		
		4	J, U				DGV		
-13									HUB PACKAGE, Input Clutch
	05017518AB	1	J, U				DGV		
		1	T				DGV		
14									SNAP RING
	04505622	1	T				DGV		
		1	J, U				DGV		
15									DISC, Clutch
	04531678	4	J, U				DGV		
		4	T				DGV		
16									PLATE, Transmission O/Drive Clutch
	04659053	4	T				DGV		
		4	J, U				DGV		
17									PLATE, Transmission Clutch Reaction
	04377194	1	J, U				DGV		
		1	T				DGV		

LIBERTY (KJ)

SERIES

H = HIGHLINE

M = MEDIUM

P = PREMIUM

LINE

T = JEEP - 2WD

J = JEEP - 4WD

U = JEEP - 4WD (RHD)

BODY

74 = SPORT UTILITY 4-DR

ENGINE

EKG = 3.7L V6 Engine

ENR = 2.8L 4 Cyl Turbo Diesel Engine

ENJ = 2.5L 4 Cyl 16V Turbo Diesel Engine

ED1 = 2.4L 4 Cyl DOHC 16v SMPI Engine

TRANSMISSION

DG6 = 4-Spd. Automatic 42RLE

Transmission

DGV = 4-Spd. Automatic VLP

Transmission

DGQ = 5-Spd Automatic 5-45RFE

Transmission

DEH = 6-Speed Manual NSG370

Transmission

DDD = 5-Speed HD Manual

Transmission

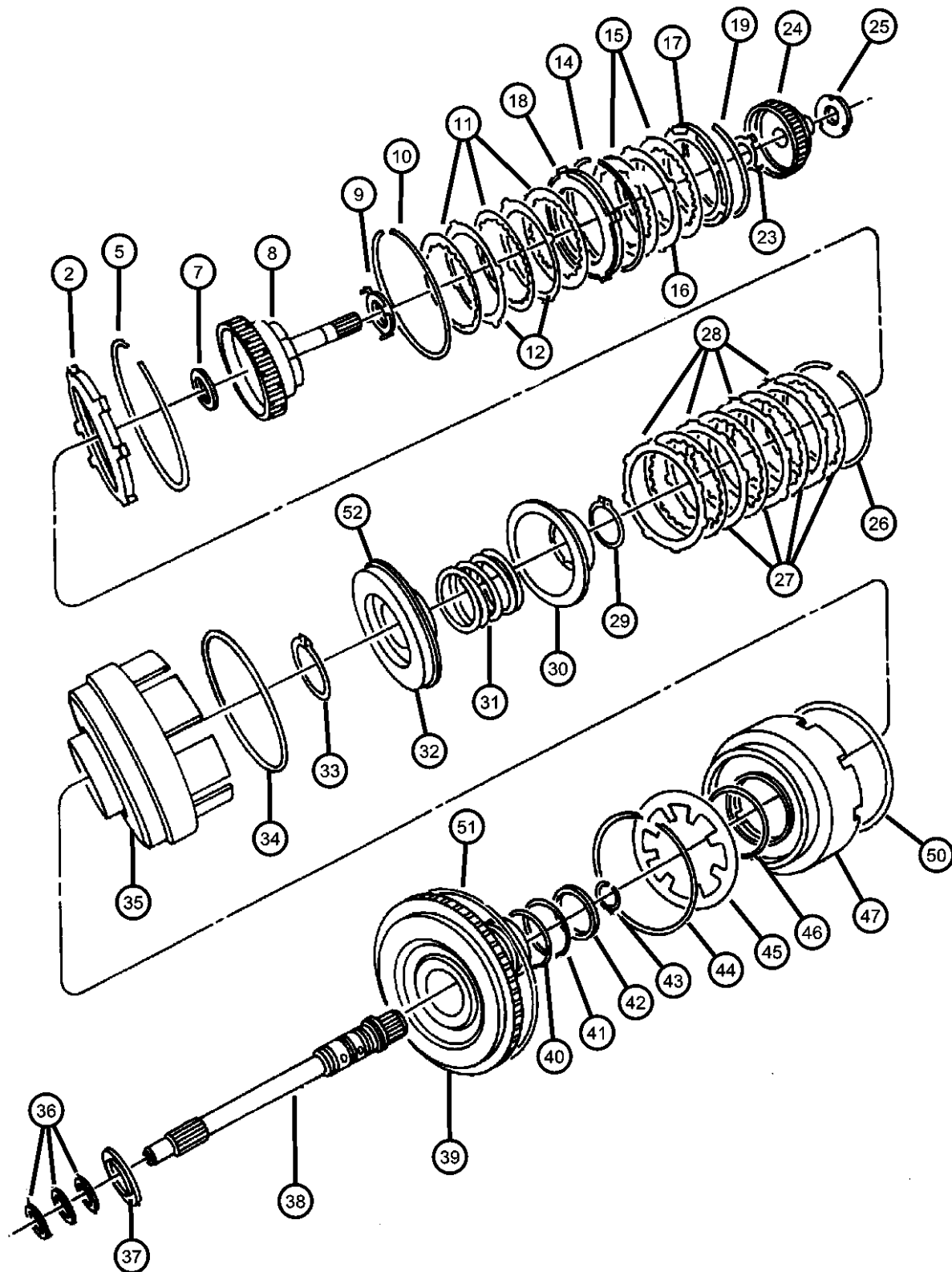
DDK = 5-Speed HD Manual

Transmission

AR = use ase required - = Non illustrated part

2006 KJ

Clutch, Input Shaft  
Figure 42RLE-420



ITEM	PART NUMBER	QTY	LINE	SERIES	BODY	ENGINE	TRANS	TRIM	DESCRIPTION
18									PLATE, Transmission O/Drive Clutch
	04531556AD	1	J, U				DGV		
		1	T				DGV		
19									SNAP RING
	04377195	1	J, U				DGV		
		1	T				DGV		
-20									SNAP RING, Reverse Clutch, 1.77-1.83mm
	04412871	1	J, U				DGV		
		1	T				DGV		
-21									SNAP RING, Reverse Clutch, 2.02-2.07mm
	04412872	1	J, U				DGV		
		1	T				DGV		
-22									SNAP RING, Reverse Clutch, 2.27-2.32mm
	04412873	1	J, U				DGV		
		1	T				DGV		
23									PLATE AND WASHER PACKAGE, Thrust
	05018923AA	1	T				DGV		
		1	J, U				DGV		
24									HUB AND SHAFT, Overdrive Clutch
	04659993	1	T				DGV		
		1	J, U				DGV		
25									PLATE, Transmission O/Drive Clutch
	03836237AB	AR	T				DGV		[1.70/1.77MM]
		AR	J, U				DGV		[1.70/1.77MM]
	03836238AB	AR	T				DGV		[1.92/1.99MM]
		AR	J, U				DGV		[1.92/1.99MM]
	03836239AB	AR	T				DGV		[2.14/2.21MM]

LIBERTY (KJ)

SERIES

H = HIGHLINE

M = MEDIUM

P = PREMIUM

LINE

T = JEEP - 2WD

J = JEEP - 4WD

U = JEEP - 4WD (RHD)

BODY

74 = SPORT UTILITY 4-DR

ENGINE

EKG = 3.7L V6 Engine

ENR = 2.8L 4 Cyl Turbo Diesel Engine

ENJ = 2.5L 4 Cyl 16V Turbo Diesel Engine

ED1 = 2.4L 4 Cyl DOHC 16v SMPI Engine

TRANSMISSION

DG6 = 4-Spd. Automatic 42RLE

Transmission

DGV = 4-Spd. Automatic VLP

Transmission

DGQ = 5-Spd Automatic 5-45RFE

Transmission

DEH = 6-Speed Manual NSG370

Transmission

DDD = 5-Speed HD Manual

Transmission

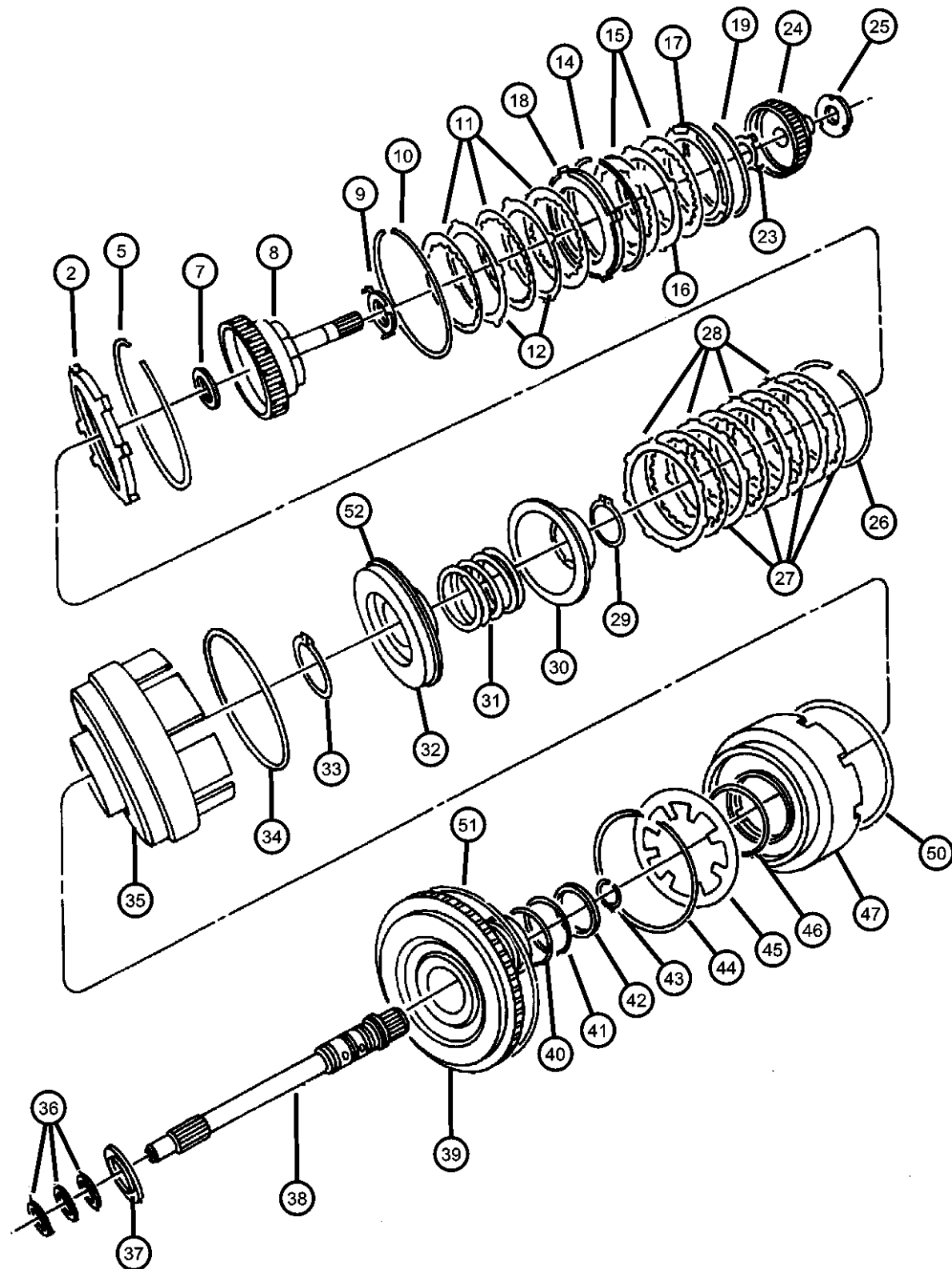
DDK = 5-Speed HD Manual

Transmission

AR = use ase required - = Non illustrated part

2006 KJ

Clutch, Input Shaft  
Figure 42RLE-420



ITEM	PART NUMBER	QTY	LINE	SERIES	BODY	ENGINE	TRANS	TRIM	DESCRIPTION
		AR	J, U				DGV		[2.14/2.21MM]
	03836240AB	AR	T				DGV		[2.36/2.43MM]
		AR	J, U				DGV		[2.36/2.43MM]
	03836241AB	AR	T				DGV		[2.58/2.65MM]
		AR	J, U				DGV		[2.58/2.65MM]
	04431665AB	AR	J, U				DGV		[1.55/1.66MM]
		AR	T				DGV		[1.55/1.66MM]
	04431666AB	AR	T				DGV		[1.81/1.88MM]
		AR	J, U				DGV		[1.81/1.88MM]
	04431667AB	AR	T				DGV		[2.03/2.10MM]
		AR	J, U				DGV		[2.03/2.10MM]
	04431668AB	AR	T				DGV		[2.25/2.32MM]
		AR	J, U				DGV		[2.25/2.32MM]
	04431669AB	AR	T				DGV		[2.47/2.52MM]
		AR	J, U				DGV		[2.47/2.52MM]
	04446670AB	AR	T				DGV		[2.69/2.76MM]
		AR	J, U				DGV		[2.69/2.76MM]
	04446671AB	AR	T				DGV		[2.91/2.98MM]
		AR	J, U				DGV		[2.91/2.98MM]
26									SNAP RING, Underdrive Clutch, Flat
	04659980	1	T				DGV		
		1	J, U				DGV		
27									DISC, Clutch
	04531678	4	T				DGV		
		4	J, U				DGV		
28									PLATE, Transmission O/Drive Clutch
	04659053	4	T				DGV		
		4	J, U				DGV		
29									SNAP RING

LIBERTY (KJ)

SERIES

H = HIGHLINE

M = MEDIUM

P = PREMIUM

LINE

T = JEEP - 2WD

J = JEEP - 4WD

U = JEEP - 4WD (RHD)

BODY

74 = SPORT UTILITY 4-DR

ENGINE

EKG = 3.7L V6 Engine

ENR = 2.8L 4 Cyl Turbo Diesel Engine

ENJ = 2.5L 4 Cyl 16V Turbo Diesel Engine

ED1 = 2.4L 4 Cyl DOHC 16v SMPI Engine

TRANSMISSION

DG6 = 4-Spd. Automatic 42RLE

Transmission

DGV = 4-Spd. Automatic VLP

Transmission

DGQ = 5-Spd Automatic 5-45RFE

Transmission

DEH = 6-Speed Manual NSG370

Transmission

DDD = 5-Speed HD Manual

Transmission

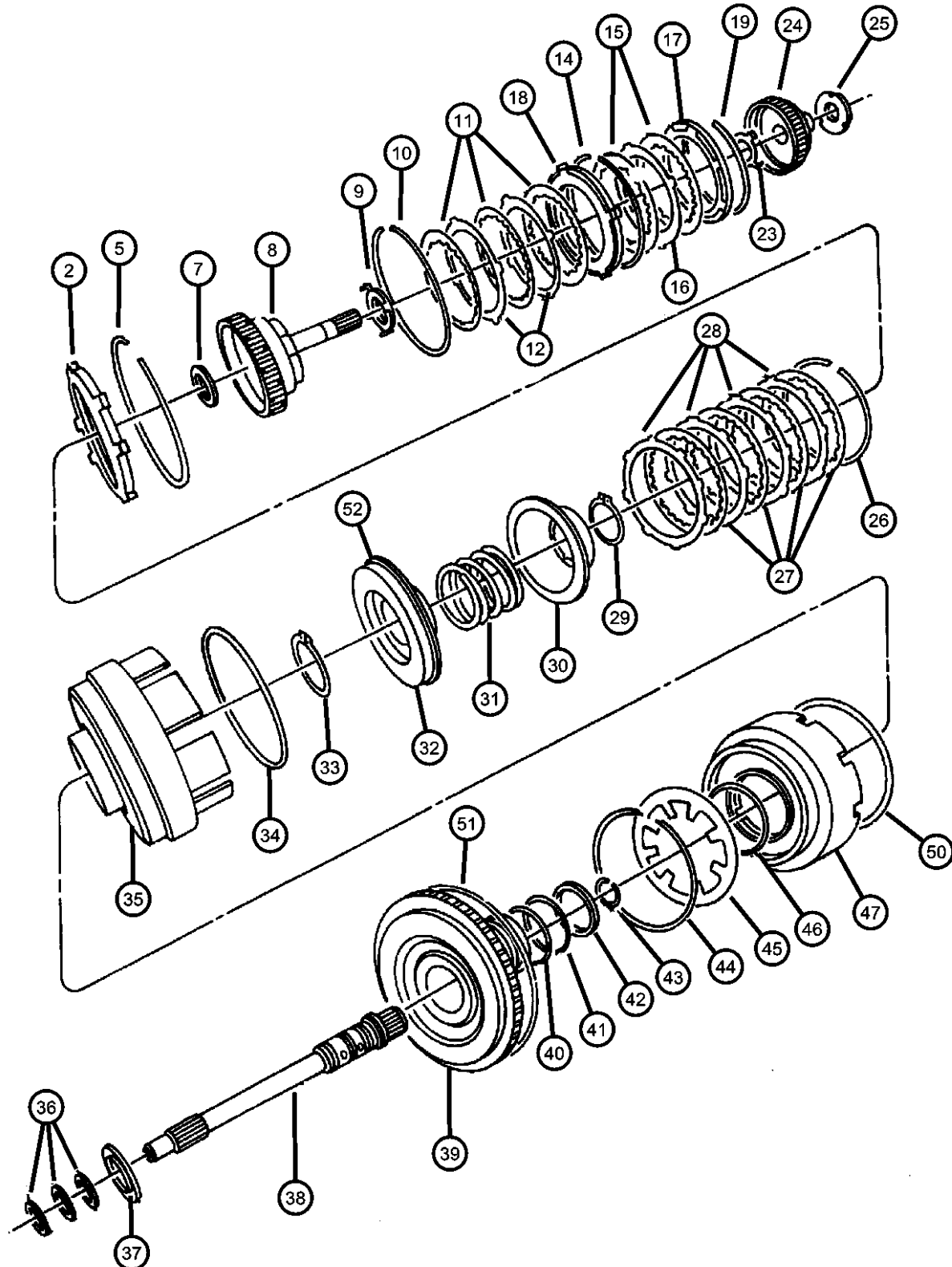
DDK = 5-Speed HD Manual

Transmission

AR = use ase required - = Non illustrated part

2006 KJ

Clutch, Input Shaft  
Figure 42RLE-420



ITEM	PART NUMBER	QTY	LINE	SERIES	BODY	ENGINE	TRANS	TRIM	DESCRIPTION
	06501715	1	T				DGV		
		1	J, U				DGV		
30									RETAINER AND SEAL, Transmission U/Drive Spring
	04431612	1	T				DGV		
		1	J, U				DGV		
31									SPRING, Drive Lower Case
	04377177	1	T				DGV		
		1	J, U				DGV		
32									GASKET PACKAGE, Transmission
	05103073AA	1	T				DGV		
		1	J, U				DGV		
33									SNAP RING
	06507226AA	1	T				DGV		
		1	J, U				DGV		
34									SEAL, Piston Outer, 140mm OD
	04659871	1	J, U				DGV		
		1	T				DGV		
35									RETAINER, Transmission Input Clutch
	04659935	1	J, U				DGV		
		1	T				DGV		
36									SEAL, Input Shaft
	04446543	3	J, U				DGV		
		3	T				DGV		
37									THRUST BEARING
	04412209	1	J, U				DGV		
		1	T				DGV		
38									INPUT SHAFT PACKAGE, Transaxle
	04626452AB	1	J, U				DGV		

LIBERTY (KJ)

SERIES

H = HIGHLINE  
M = MEDIUM  
P = PREMIUM

LINE

T = JEEP - 2WD  
J = JEEP - 4WD  
U = JEEP - 4WD (RHD)

BODY

74 = SPORT UTILITY 4-DR

ENGINE

EKG = 3.7L V6 Engine  
ENR = 2.8L 4 Cyl Turbo Diesel Engine  
ENJ = 2.5L 4 Cyl 16V Turbo Diesel Engine  
ED1 = 2.4L 4 Cyl DOHC 16v SMPI Engine

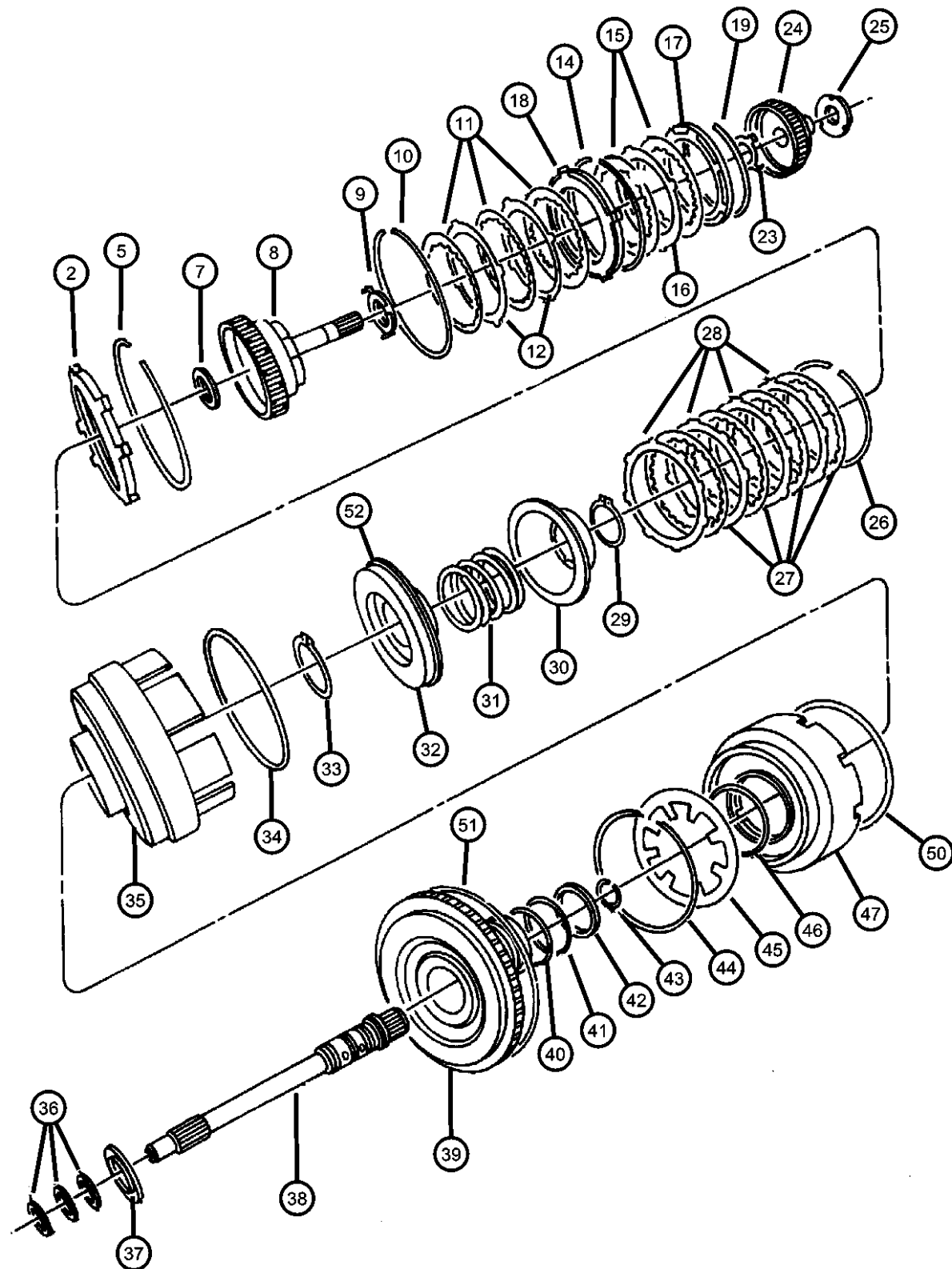
TRANSMISSION

DG6 = 4-Spd. Automatic 42RLE Transmission  
DGV = 4-Spd. Automatic VLP Transmission  
DGQ = 5-Spd Automatic 5-45RFE Transmission  
DEH = 6-Speed Manual NSG370 Transmission  
DDD = 5-Speed HD Manual Transmission  
DDK = 5-Speed HD Manual Transmission

AR = use ase required - = Non illustrated part

2006 KJ

Clutch, Input Shaft  
Figure 42RLE-420



ITEM	PART NUMBER	QTY	LINE	SERIES	BODY	ENGINE	TRANS	TRIM	DESCRIPTION
39		1	T				DGV		HUB, Input Clutch, Serviced in Assembly, (NOT SERVICED)
40		1							O RING, Transmission Clutch
	06502271	1	T				DGV		
41		1	J, U				DGV		O RING, Transmission Clutch
	06502269	1	J, U				DGV		
42		2	T				DGV		SEAL, Under Drive
	04659391AB	1	J, U				DGV		
43		1	T				DGV		SNAP RING
	06501702	1	J, U				DGV		
44		1	T				DGV		SNAP RING
	06501702	1	T				DGV		
45		1	J, U				DGV		SPRING, Overdrive Piston
	04412202	1	J, U				DGV		
46		1	T				DGV		O RING, Reverse & O/Drive Clutch Piston, Transmission
	06033158	1	J, U				DGV		
47		1	T				DGV		HUB PACKAGE, Input Clutch
	05017518AB	1	J, U				DGV		
-48		1							PISTON, Reverse and Overdrive, Serviced in Assembly, (NOT SERVICED)
-49		1							FILTER, Reverse And O/D Clutch

LIBERTY (KJ)

SERIES

H = HIGHLINE

M = MEDIUM

P = PREMIUM

LINE

T = JEEP - 2WD

J = JEEP - 4WD

U = JEEP - 4WD (RHD)

BODY

74 = SPORT UTILITY 4-DR

ENGINE

EKG = 3.7L V6 Engine

ENR = 2.8L 4 Cyl Turbo Diesel Engine

ENJ = 2.5L 4 Cyl 16V Turbo Diesel Engine

ED1 = 2.4L 4 Cyl DOHC 16v SMPI Engine

TRANSMISSION

DG6 = 4-Spd. Automatic 42RLE

Transmission

DGV = 4-Spd. Automatic VLP

Transmission

DGQ = 5-Spd Automatic 5-45RFE

Transmission

DEH = 6-Speed Manual NSG370

Transmission

DDD = 5-Speed HD Manual

Transmission

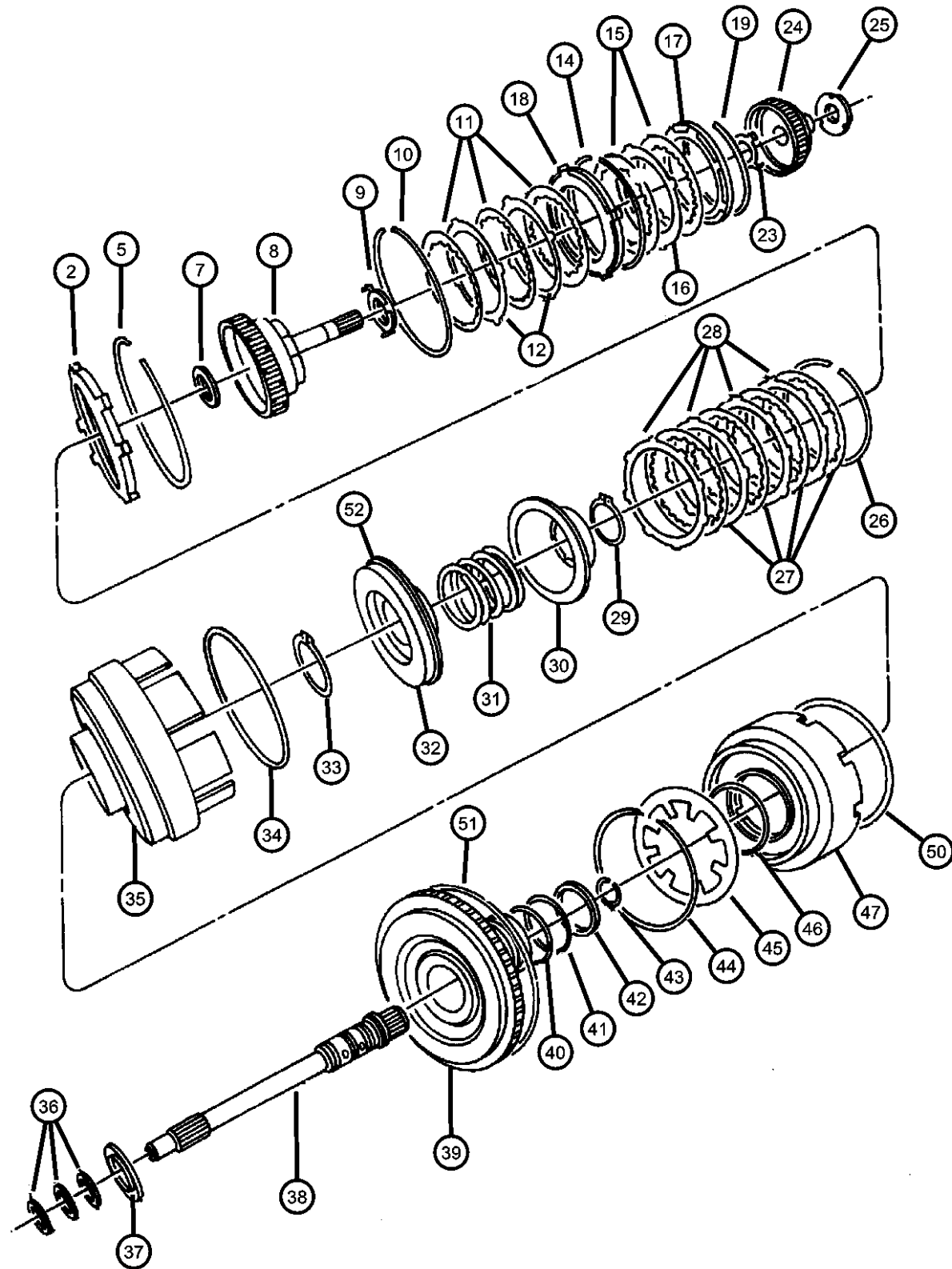
DDK = 5-Speed HD Manual

Transmission

AR = use ase required - = Non illustrated part

2006 KJ

Clutch, Input Shaft  
Figure 42RLE-420



ITEM	PART NUMBER	QTY	LINE	SERIES	BODY	ENGINE	TRANS	TRIM	DESCRIPTION
	04531903	1	J, U				DGV		
		1	T				DGV		
50									SEAL, Reverse Servo Piston
	04659056	1	T				DGV		
		1	J, U				DGV		
51									SEAL, Reverse Servo Piston
	04659056	1	T				DGV		
		1	J, U				DGV		
52									PISTON, Underdrive
	04431610	1	T				DGV		
		1	J, U				DGV		

LIBERTY (KJ)

SERIES

H = HIGHLINE  
M = MEDIUM  
P = PREMIUM

LINE

T = JEEP - 2WD  
J = JEEP - 4WD  
U = JEEP - 4WD (RHD)

BODY

74 = SPORT UTILITY 4-DR

ENGINE

EKG = 3.7L V6 Engine  
ENR = 2.8L 4 Cyl Turbo Diesel Engine  
ENJ = 2.5L 4 Cyl 16V Turbo Diesel Engine  
ED1 = 2.4L 4 Cyl DOHC 16v SMPI Engine

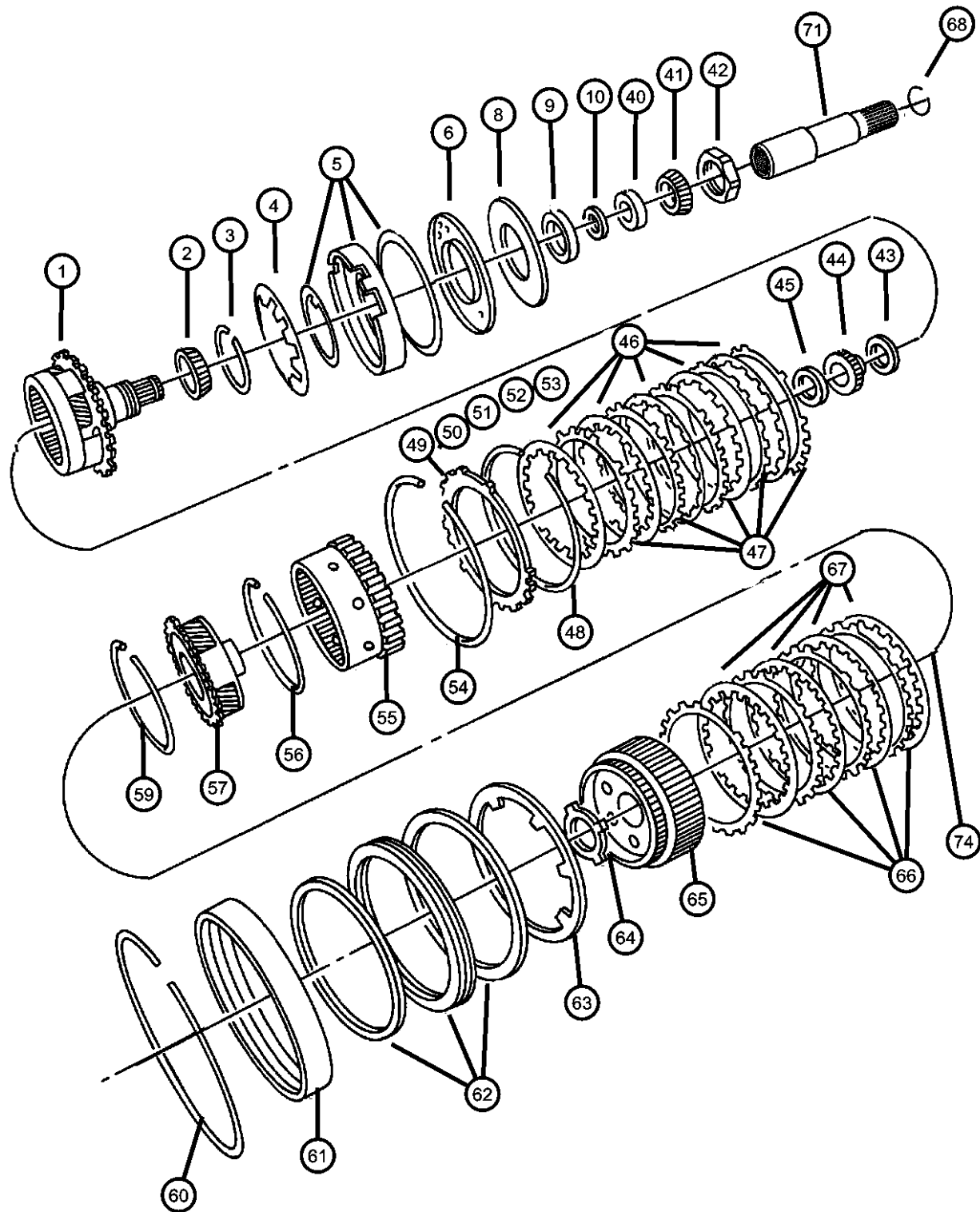
TRANSMISSION

DG6 = 4-Spd. Automatic 42RLE Transmission  
DGV = 4-Spd. Automatic VLP Transmission  
DGQ = 5-Spd Automatic 5-45RFE Transmission  
DEH = 6-Speed Manual NSG370 Transmission  
DDD = 5-Speed HD Manual Transmission  
DDK = 5-Speed HD Manual Transmission

AR = use ase required - = Non illustrated part

2006 KJ

**Gear Train**  
**Figure 42RLE-430**



ITEM	PART NUMBER	QTY	LINE	SERIES	BODY	ENGINE	TRANS	TRIM	DESCRIPTION
1	05101874AA	1	J, U				DG6		CARRIER AND BEARING, Planet Pinion
		1	T				DG6		
2	04412235	1	J, U				DG6		BEARING CONE, Output Shaft
		1	T				DG6		
3	06501853	1	T				DG6		SNAP RING
		1	J, U				DG6		
4	04800236AA	1	J, U				DG6		SPRING, Low/Reverse Clutch Piston
		1	T				DG6		
5	04800261AA	1	T				DG6		PISTON, Low and Reverse Clutch
		1	J, U				DG6		
6	04800255AA	1	T				DG6		RETAINER, Transmission Low and Reverse Clutch Piston
		1	J, U				DG6		
-7	06501819	3	T				DG6		SCREW AND WASHER, Pan Head, M5x0.8x11.00
		3	J, U				DG6		
8	04800253AA	1	T				DG6		GASKET, Clutch Retainer
		1	J, U				DG6		
9	04412234	1	T				DG6		BEARING CUP, Output Shaft

NOTE:  
Sales Codes:  
[DG6]=4 Speed Automatic Transmission - [42RLE]

**LIBERTY (KJ)**

SERIES      LINE  
H = HIGHLINE    T = JEEP - 2WD  
M = MEDIUM     J = JEEP - 4WD  
P = PREMIUM    U = JEEP - 4WD (RHD)

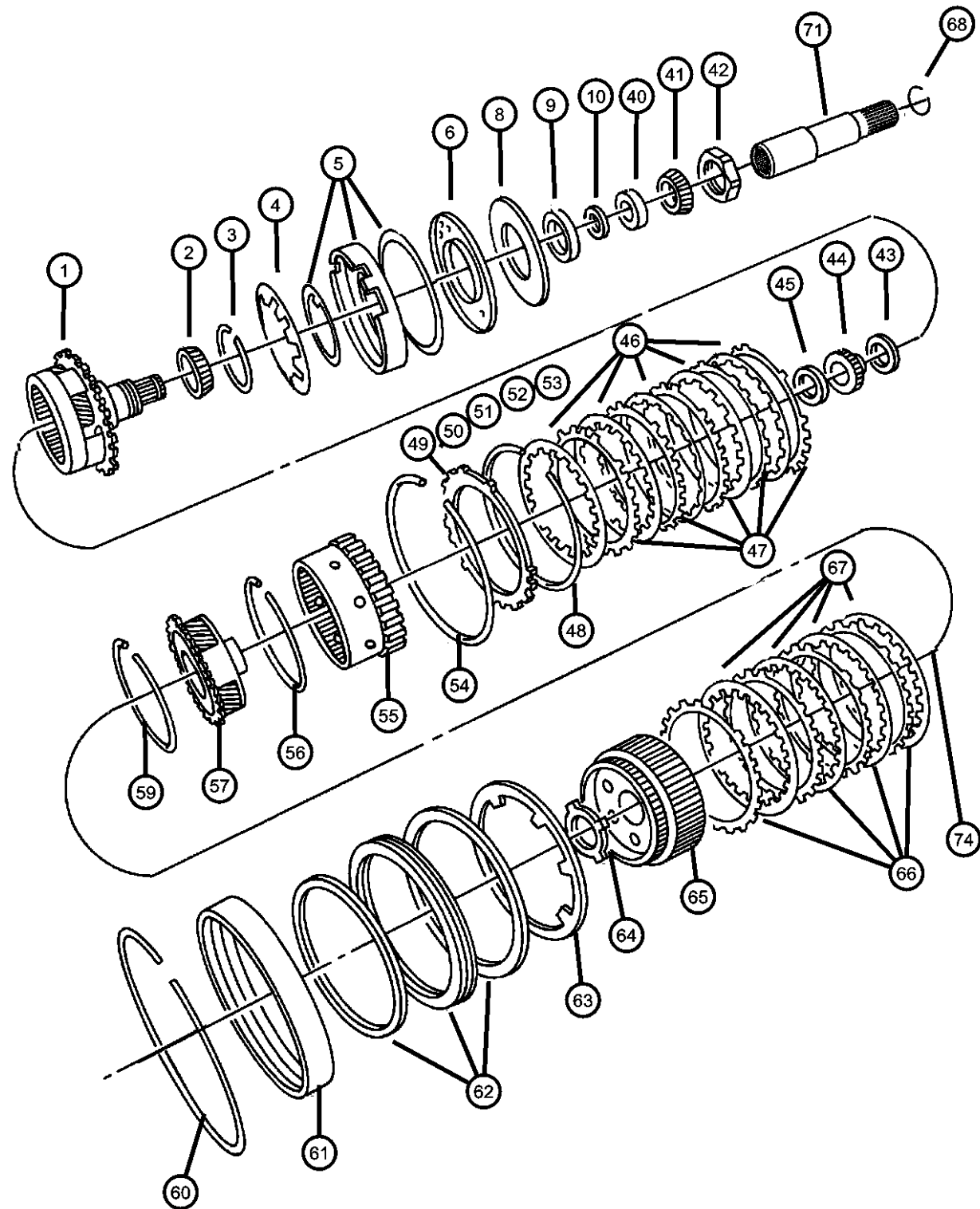
BODY  
74 = SPORT UTILITY 4-DR

ENGINE      TRANSMISSION  
EKG = 3.7L V6 Engine      DG6 = 4-Spd. Automatic 42RLE  
ENR = 2.8L 4 Cyl Turbo Diesel Engine      Transmission  
ENJ = 2.5L 4 Cyl 16V Turbo Diesel Engine      DGV = 4-Spd. Automatic VLP  
ED1 = 2.4L 4 Cyl DOHC 16v SMPI Engine      Transmission  
DGQ = 5-Spd Automatic 5-45RFE  
DEH = 6-Speed Manual NSG370 Transmission  
DDD = 5-Speed HD Manual Transmission  
DDK = 5-Speed HD Manual Transmission

AR = use ase required - = Non illustrated part



**Gear Train**  
**Figure 42RLE-430**



ITEM	PART NUMBER	QTY	LINE	SERIES	BODY	ENGINE	TRANS	TRIM	DESCRIPTION
		1	J, U				DG6		
10									SHIM, Carrier Bearing, 5.17 - 5.19mm
	05280020	AR	J, U				DG6		
		AR	T				DG6		
-11									SHIM, Carrier Bearing, 5.20 - 5.22mm
	05280021	AR	J, U				DG6		
		AR	T				DG6		
-12									SHIM, Carrier Bearing, 5.23 - 5.25mm
	05280022	AR	J, U				DG6		
		AR	T				DG6		
-13									SHIM, Carrier Bearing, 5.26 - 5.28mm
	05280023	AR	J, U				DG6		
		AR	T				DG6		
-14									SHIM, Carrier Bearing, 5.29 - 5.31mm
	05280024	AR	J, U				DG6		
		AR	T				DG6		
-15									SHIM, Carrier Bearing, 5.32 - 5.34mm
	05280025	AR	J, U				DG6		
		AR	T				DG6		
-16									SHIM, Carrier Bearing, 5.35 - 5.37mm
	05280026	AR	J, U				DG6		
		AR	T				DG6		
-17									SHIM, Carrier Bearing, 5.38 - 5.40mm
	05280027	AR	J, U				DG6		
		AR	T				DG6		
-18									SHIM, Carrier Bearing, 5.41 - 5.43mm

**LIBERTY (KJ)**

SERIES            LINE  
H = HIGHLINE    T = JEEP - 2WD  
M = MEDIUM     J = JEEP - 4WD  
P = PREMIUM     U = JEEP - 4WD (RHD)

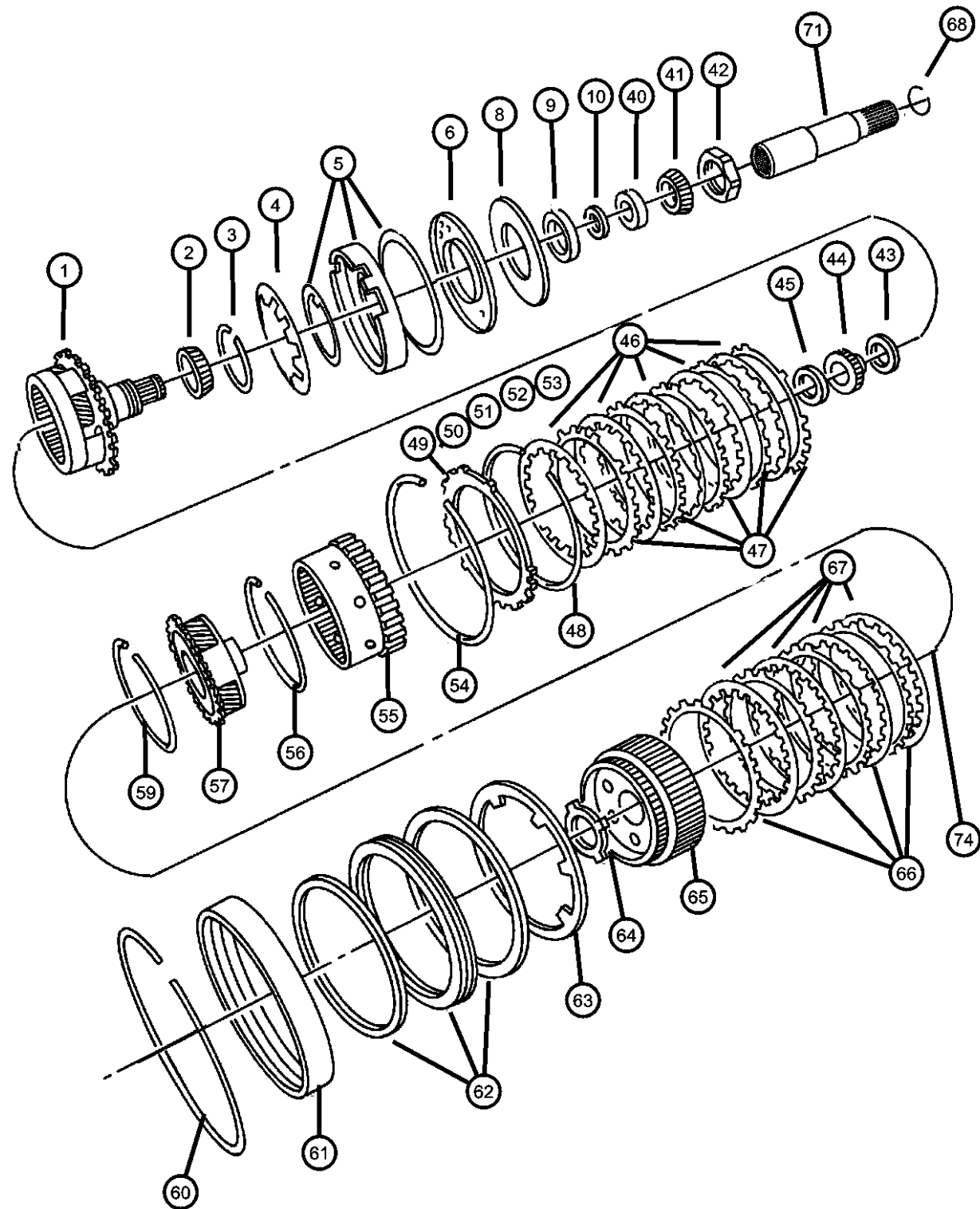
BODY  
74 = SPORT UTILITY 4-DR

ENGINE  
EKG = 3.7L V6 Engine  
ENR = 2.8L 4 Cyl Turbo Diesel Engine  
ENJ = 2.5L 4 Cyl 16V Turbo Diesel Engine  
ED1 = 2.4L 4 Cyl DOHC 16v SMPI Engine

TRANSMISSION  
DG6 = 4-Spd. Automatic 42RLE Transmission  
DGV = 4-Spd. Automatic VLP Transmission  
DGQ = 5-Spd Automatic 5-45RFE Transmission  
DEH = 6-Speed Manual NSG370 Transmission  
DDD = 5-Speed HD Manual Transmission  
DDK = 5-Speed HD Manual Transmission

AR = use ase required    - = Non illustrated part

**Gear Train**  
**Figure 42RLE-430**



ITEM	PART NUMBER	QTY	LINE	SERIES	BODY	ENGINE	TRANS	TRIM	DESCRIPTION
	05280028	AR	J, U				DG6		
		AR	T				DG6		
-19									SHIM, Carrier Bearing, 5.44 - 5.46mm
	05280029	AR	J, U				DG6		
		AR	T				DG6		
-20									SHIM, Carrier Bearing, 5.47 - 5.49mm
	05280030	AR	J, U				DG6		
		AR	T				DG6		
-21									SHIM, Carrier Bearing, 5.50 - 5.52mm
	05280031	AR	J, U				DG6		
		AR	T				DG6		
-22									SHIM, Carrier Bearing, 5.53 - 5.55mm
	05280032	AR	J, U				DG6		
		AR	T				DG6		
-23									SHIM, Carrier Bearing, 5.56 - 5.58mm
	05280033	AR	J, U				DG6		
		AR	T				DG6		
-24									SHIM, Carrier Bearing, 5.59 - 5.61mm
	05280034	AR	J, U				DG6		
		AR	T				DG6		
-25									SHIM, Carrier Bearing, 5.62 - 5.64mm
	05280035	AR	J, U				DG6		
		AR	T				DG6		
-26									SHIM, Carrier Bearing, 5.65 - 5.67mm
	05280036	AR	J, U				DG6		
		AR	T				DG6		

**LIBERTY (KJ)**

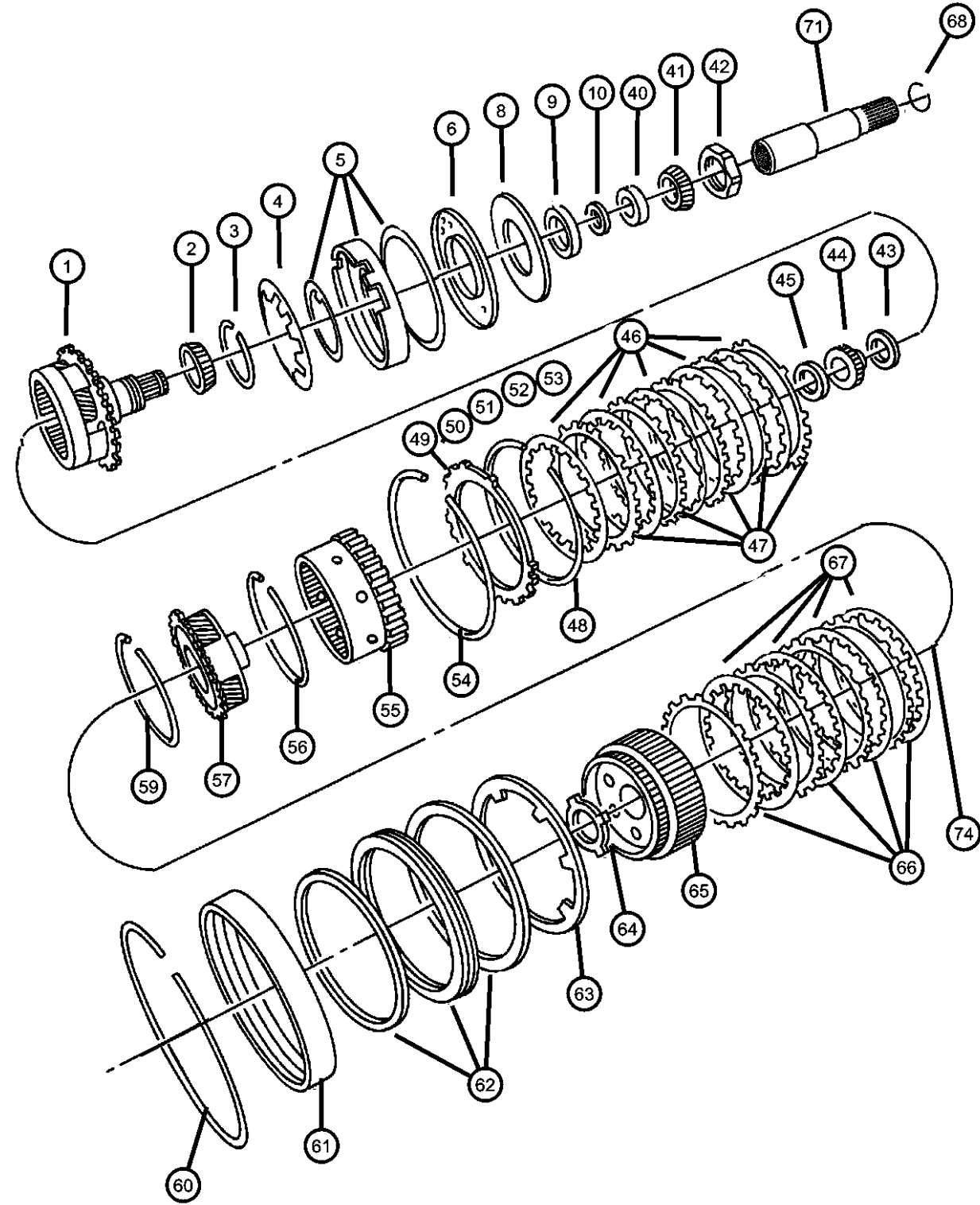
SERIES      LINE  
H = HIGHLINE    T = JEEP - 2WD  
M = MEDIUM     J = JEEP - 4WD  
P = PREMIUM    U = JEEP - 4WD (RHD)

BODY  
74 = SPORT UTILITY 4-DR

ENGINE      TRANSMISSION  
EKG = 3.7L V6 Engine      DG6 = 4-Spd. Automatic 42RLE  
ENR = 2.8L 4 Cyl Turbo Diesel Engine      Transmission  
ENJ = 2.5L 4 Cyl 16V Turbo Diesel Engine      DGV = 4-Spd. Automatic VLP  
ED1 = 2.4L 4 Cyl DOHC 16v SMPI Engine      Transmission  
DGQ = 5-Spd Automatic 5-45RFE  
DEH = 6-Speed Manual NSG370  
Transmission  
DDD = 5-Speed HD Manual  
Transmission  
DDK = 5-Speed HD Manual  
Transmission

AR = use ase required    - = Non illustrated part

**Gear Train  
Figure 42RLE-430**



ITEM	PART NUMBER	QTY	LINE	SERIES	BODY	ENGINE	TRANS	TRIM	DESCRIPTION
-27	05280037	AR	J, U				DG6		SHIM, Carrier Bearing, 5.68 - 5.70mm
		AR	T				DG6		
-28	05280038	AR	J, U				DG6		SHIM, Carrier Bearing, 5.71 - 5.73mm
		AR	T				DG6		
-29	05280039	AR	J, U				DG6		SHIM, Carrier Bearing, 5.74 - 5.76mm
		AR	T				DG6		
-30	05280040	AR	J, U				DG6		SHIM, Carrier Bearing, 5.77 - 5.79mm
		AR	T				DG6		
-31	05280041	AR	T				DG6		SHIM, Carrier Bearing, 5.80 - 5.82mm
		AR	J, U				DG6		
-32	05280042	AR	J, U				DG6		SHIM, Carrier Bearing, 5.83 - 5.85mm
		AR	T				DG6		
-33	05280043	AR	J, U				DG6		SHIM, Carrier Bearing, 5.86 - 5.88mm
		AR	T				DG6		
-34	05280044	AR	J, U				DG6		SHIM, Carrier Bearing, 5.89 - 5.91mm
		AR	T				DG6		
-35	05280045	AR	J, U				DG6		SHIM, Carrier Bearing, 5.92 - 5.94mm

**LIBERTY (KJ)**

SERIES LINE  
 H = HIGHLINE T = JEEP - 2WD  
 M = MEDIUM J = JEEP - 4WD  
 P = PREMIUM U = JEEP - 4WD (RHD)

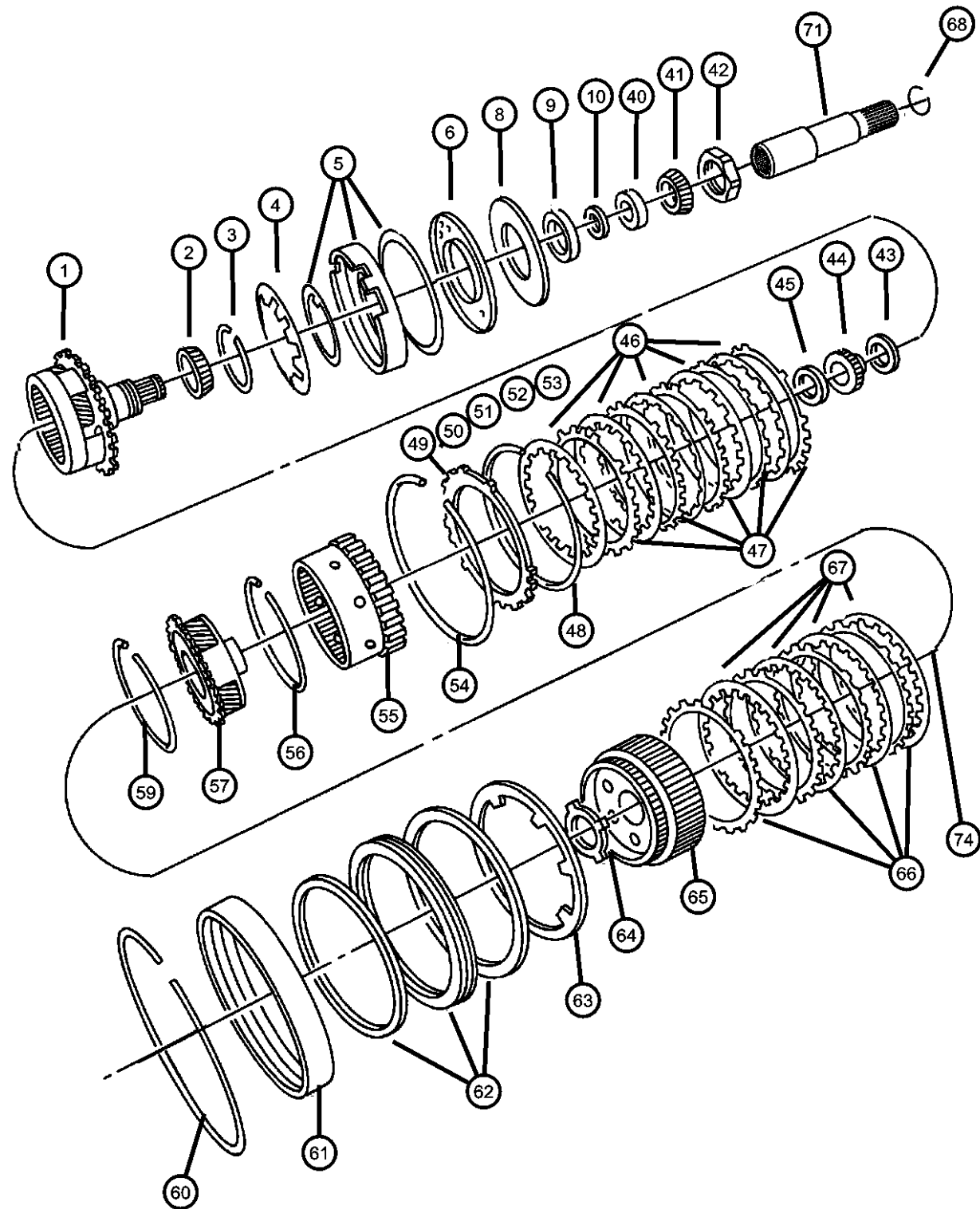
BODY  
 74 = SPORT UTILITY 4-DR

ENGINE  
 EKG = 3.7L V6 Engine  
 ENR = 2.8L 4 Cyl Turbo Diesel Engine  
 ENJ = 2.5L 4 Cyl 16V Turbo Diesel Engine  
 ED1 = 2.4L 4 Cyl DOHC 16v SMPI Engine

TRANSMISSION  
 DG6 = 4-Spd. Automatic 42RLE Transmission  
 DGV = 4-Spd. Automatic VLP Transmission  
 DGQ = 5-Spd Automatic 5-45RFE Transmission  
 DEH = 6-Speed Manual NSG370 Transmission  
 DDD = 5-Speed HD Manual Transmission  
 DDK = 5-Speed HD Manual Transmission

AR = use ase required - = Non illustrated part

**Gear Train**  
**Figure 42RLE-430**



ITEM	PART NUMBER	QTY	LINE	SERIES	BODY	ENGINE	TRANS	TRIM	DESCRIPTION
-36		AR	T				DG6		SHIM, Carrier Bearing, 5.95 - 5.97mm
	05280046	AR	J, U				DG6		
		AR	T				DG6		
-37									SHIM, Carrier Bearing, 5.98 - 6.00mm
	05280047	AR	J, U				DG6		
		AR	T				DG6		
-38									SHIM, Carrier Bearing, 6.01 - 6.03mm
	05280048	AR	J, U				DG6		
		AR	T				DG6		
-39									SHIM, Carrier Bearing, 6.04 - 6.06mm
	05280049	AR	J, U				DG6		
		AR	T				DG6		
40									BEARING CUP, Differential
	04567022	1	J, U				DG6		
		1	T				DG6		
41	04567025AB	1	J, U				DG6		BEARING CONE, Differential
42									NUT, Rear Carrier, M36 x 1.50
	06502476	1	J, U				DG6		
		1	T				DG6		
43									THRUST BEARING
	04412209	1	T				DG6		
		1	J, U				DG6		
44									GEAR, Sun
	04377080	1	T				DG6		
		1	J, U				DG6		
45									THRUST BEARING, Rear Sun Gear, Front

**LIBERTY (KJ)**

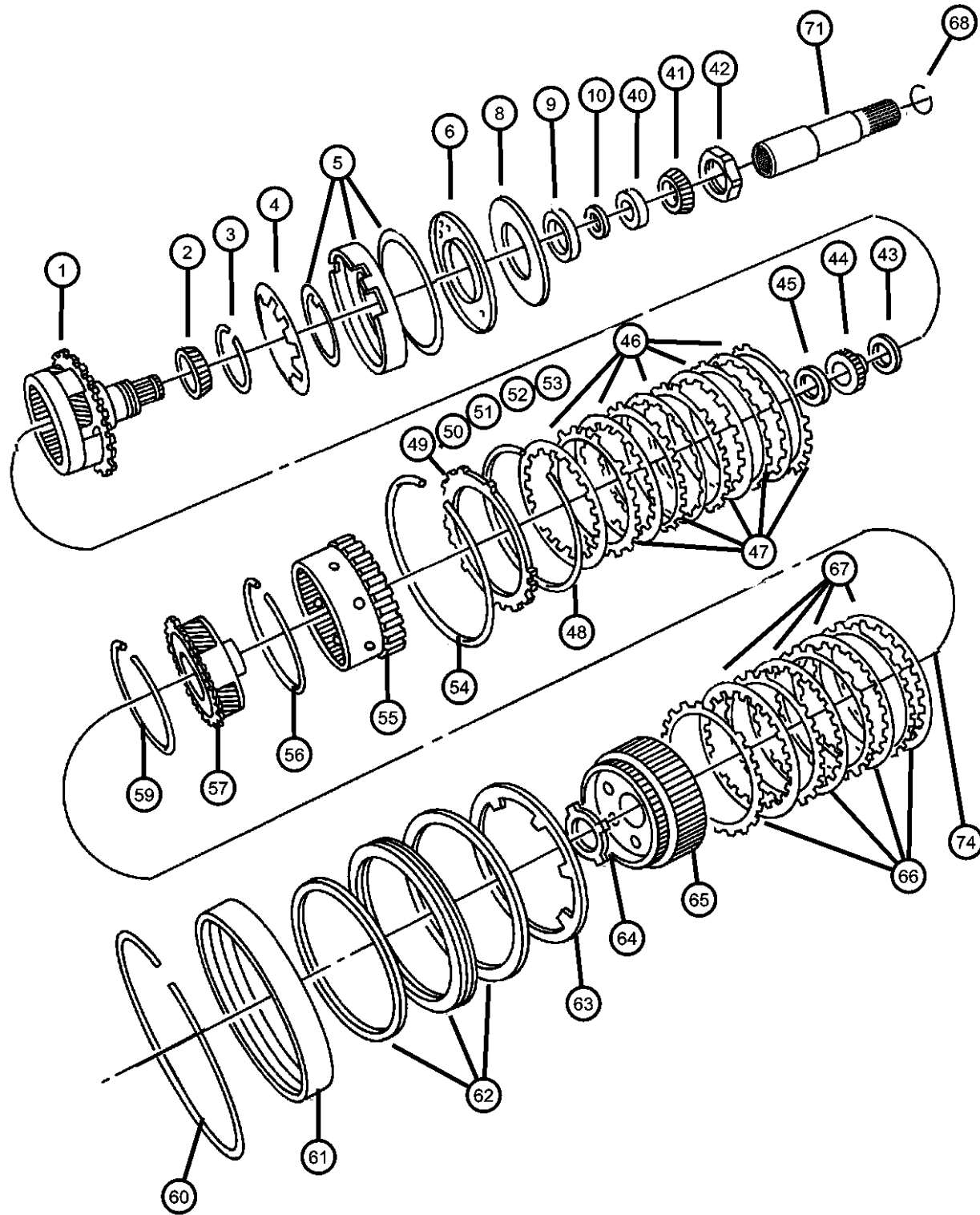
SERIES      LINE  
H = HIGHLINE    T = JEEP - 2WD  
M = MEDIUM     J = JEEP - 4WD  
P = PREMIUM     U = JEEP - 4WD (RHD)

BODY  
74 = SPORT UTILITY 4-DR

ENGINE      TRANSMISSION  
EKG = 3.7L V6 Engine      DG6 = 4-Spd. Automatic 42RLE  
ENR = 2.8L 4 Cyl Turbo Diesel Engine      Transmission  
ENJ = 2.5L 4 Cyl 16V Turbo Diesel Engine      DGV = 4-Spd. Automatic VLP  
ED1 = 2.4L 4 Cyl DOHC 16v SMPI Engine      Transmission  
DGQ = 5-Spd Automatic 5-45RFE Transmission  
DEH = 6-Speed Manual NSG370 Transmission  
DDD = 5-Speed HD Manual Transmission  
DDK = 5-Speed HD Manual Transmission

AR = use ase required    - = Non illustrated part

**Gear Train**  
**Figure 42RLE-430**



ITEM	PART NUMBER	QTY	LINE	SERIES	BODY	ENGINE	TRANS	TRIM	DESCRIPTION
	04412229AB	1	T				DG6		
		1	J, U				DG6		
46	04567573AB	5	T				DG6		DISC, Clutch
		5	J, U				DG6		
47	04659055	5	T				DG6		PLATE, Transmission Clutch Reaction
		5	J, U				DG6		
48	04412395	1	T				DG6		SNAP RING
		1	J, U				DG6		
49	04897452AA	1	T				DG6		PLATE PACKAGE, Low/Reverse Clutch, 5.753/6.012
		1	J, U				DG6		
50	04897453AA	1	T				DG6		PLATE PACKAGE, Low/Reverse Clutch, 6.013/6.272
		1	J, U				DG6		
51	04897454AA	1	T				DG6		PLATE PACKAGE, Low/Reverse Clutch, 6.273/6.532
		1	J, U				DG6		
52	04897455AA	1	T				DG6		PLATE PACKAGE, Low/Reverse Clutch, 6.533/6.792
		1	J, U				DG6		
53	04897456AA	1	T				DG6		PLATE PACKAGE, Low/Reverse Clutch, 6.793/7.052
		1	J, U				DG6		
54									SNAP RING

**LIBERTY (KJ)**  
**SERIES**  
H = HIGHLINE  
M = MEDIUM  
P = PREMIUM

**LINE**  
T = JEEP - 2WD  
J = JEEP - 4WD  
U = JEEP - 4WD (RHD)

**BODY**  
74 = SPORT UTILITY 4-DR

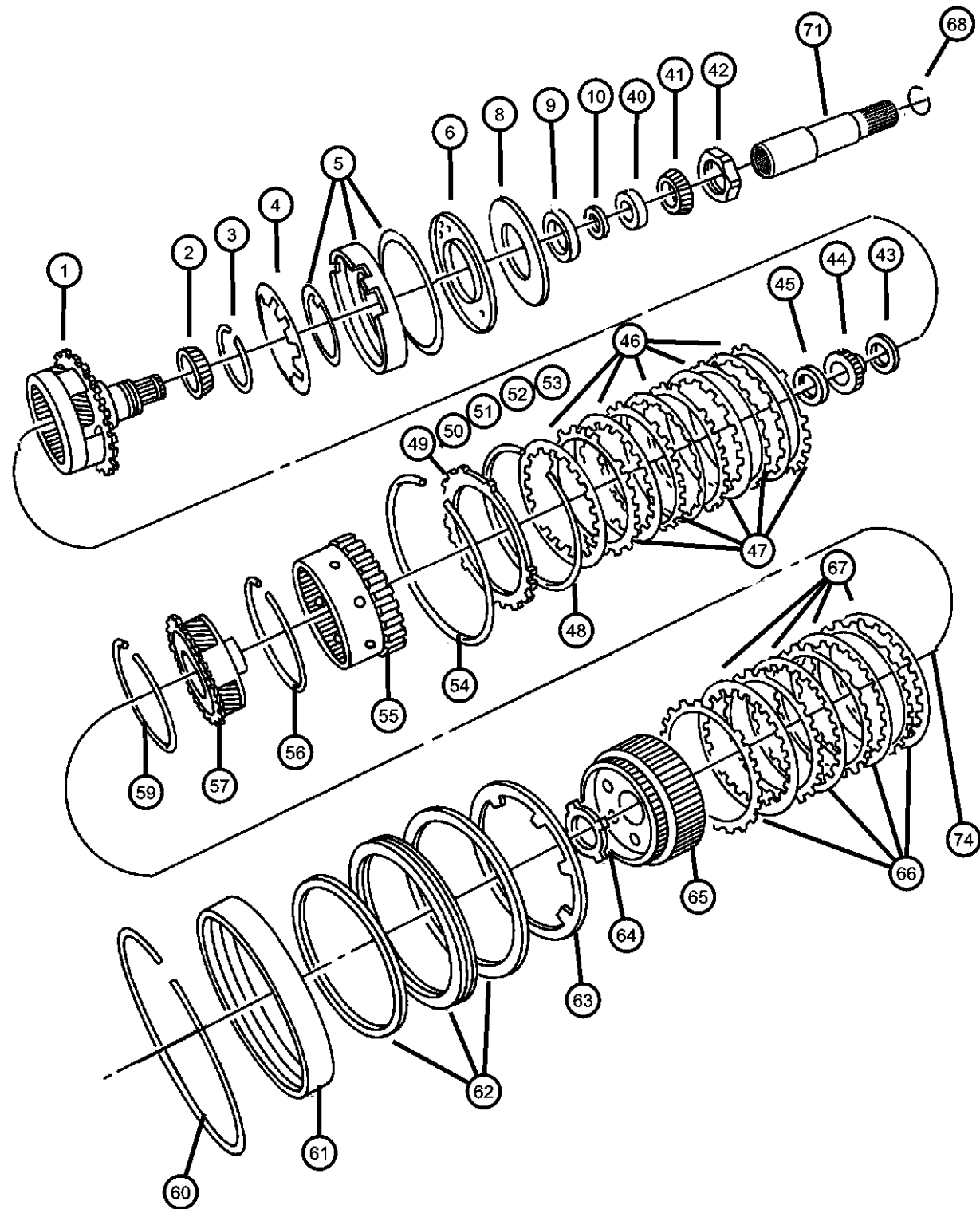
**ENGINE**  
EKG = 3.7L V6 Engine  
ENR = 2.8L 4 Cyl Turbo Diesel Engine  
ENJ = 2.5L 4 Cyl 16V Turbo Diesel Engine  
ED1 = 2.4L 4 Cyl DOHC 16v SMPI Engine

**TRANSMISSION**  
DG6 = 4-Spd. Automatic 42RLE Transmission  
DGV = 4-Spd. Automatic VLP Transmission  
DGQ = 5-Spd Automatic 5-45RFE Transmission  
DEH = 6-Speed Manual NSG370 Transmission  
DDD = 5-Speed HD Manual Transmission  
DDK = 5-Speed HD Manual Transmission

AR = use ase required - = Non illustrated part



**Gear Train**  
**Figure 42RLE-430**



ITEM	PART NUMBER	QTY	LINE	SERIES	BODY	ENGINE	TRANS	TRIM	DESCRIPTION
64		1	J, U				DG6		THRUST WASHER, Second and Fourth Clutch
	04412216AB	1	T				DG6		
65		1	J, U				DG6		HUB AND GEAR, Second And Fourth Clutch
	04659618AB	1	T				DG6		
66		1	J, U				DG6		PLATE, Transmission Clutch Reaction
	04659054	4	T				DG6		
67		4	J, U				DG6		DISC, Clutch
	04799860AB	4	T				DG6		
68		4	J, U				DG6		CLIP
	52852916AA	1	J, U				DG6		THRUST WASHER, Planet Pinion
-69		10	T				DG6		
	03681949	10	J, U				DG6		
-70		10	T				DG6		ROLLER, Front and Rear Pinion
	03743664	57	T				DG6		
		95	J, U				DG6		
71		1	J, U				DG6		SHAFT, Intermediate
	52852915AA	1	J, U				DG6		
-72		1	J, U				DG6		CLIP
	52852916AA	1	J, U				DG6		
-73		1	T				DG6		SHAFT, Output
	52854168AA	1	T				DG6		
74		1	T				DG6		BEARING, Output Shaft
	02466224	1	T				DG6		

**LIBERTY (KJ)**

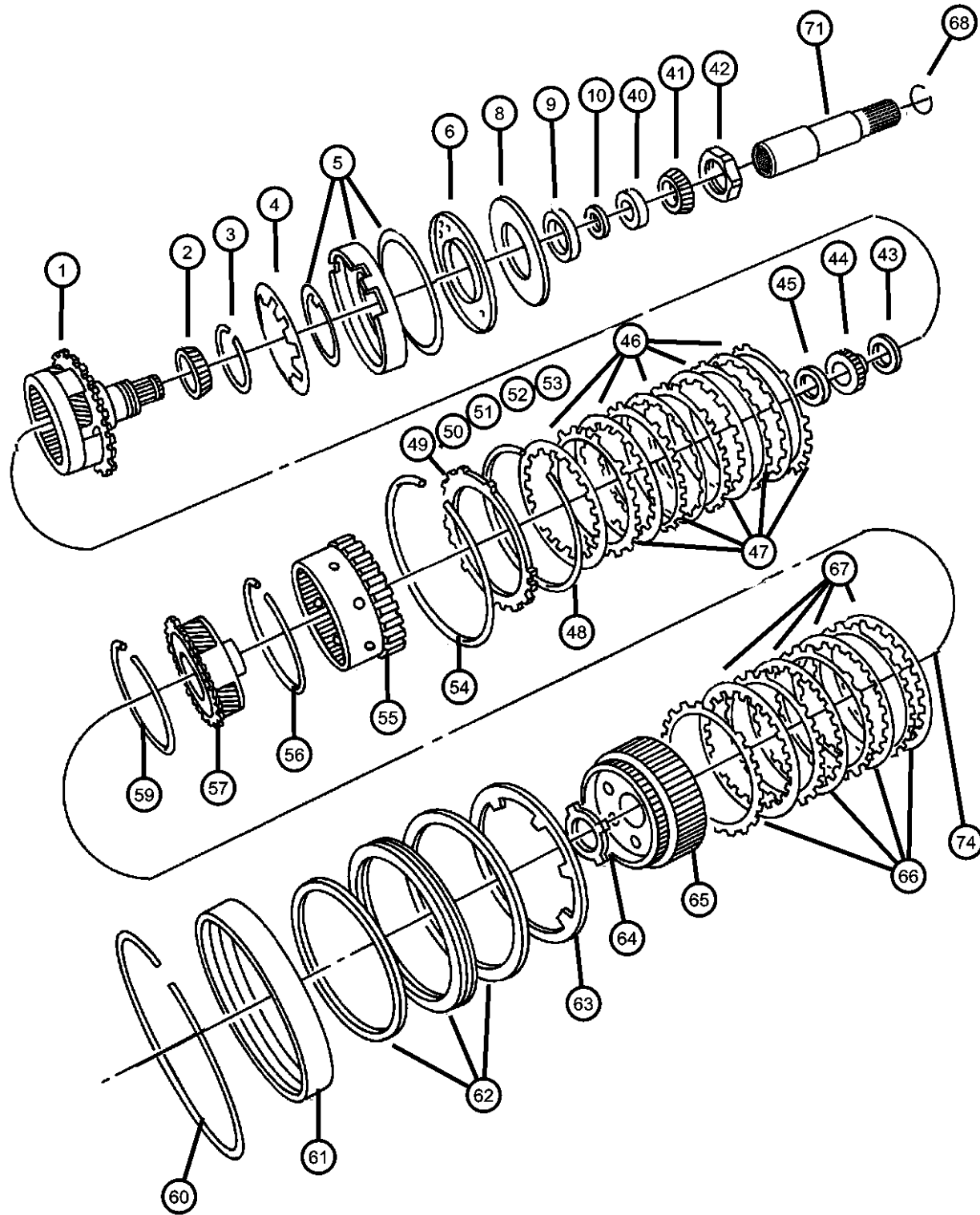
SERIES      LINE  
H = HIGHLINE    T = JEEP - 2WD  
M = MEDIUM      J = JEEP - 4WD  
P = PREMIUM      U = JEEP - 4WD (RHD)

BODY  
74 = SPORT UTILITY 4-DR

ENGINE      TRANSMISSION  
EKG = 3.7L V6 Engine      DG6 = 4-Spd. Automatic 42RLE  
ENR = 2.8L 4 Cyl Turbo Diesel      Transmission  
Engine      DGV = 4-Spd. Automatic VLP  
ENJ = 2.5L 4 Cyl 16V Turbo      Transmission  
Diesel Engine      DGQ = 5-Spd Automatic 5-45RFE  
ED1 = 2.4L 4 Cyl DOHC 16v      Transmission  
SMPI Engine      DEH = 6-Speed Manual NSG370  
Transmission  
DDD = 5-Speed HD Manual  
Transmission  
DDK = 5-Speed HD Manual  
Transmission

AR = use ase required - = Non illustrated part

**Gear Train**  
**Figure 42RLE-440**



ITEM	PART NUMBER	QTY	LINE	SERIES	BODY	ENGINE	TRANS	TRIM	DESCRIPTION
1	05101874AA	1	J, U				DGV		CARRIER AND BEARING, Planet Pinion
		1	T				DGV		
2	04412235AB	1	J, U				DGV		BEARING CONE, Output Shaft
		1	T				DGV		
3	06501853	1	J, U				DGV		SNAP RING
		1	T				DGV		
4	04800236AA	1	J, U				DGV		SPRING, Low/Reverse Clutch Piston
		1	T				DGV		
5	04800261AA	1	J, U				DGV		PISTON, Low and Reverse Clutch
		1	T				DGV		
6	04800255AA	1	J, U				DGV		RETAINER, Transmission Low and Reverse Clutch Piston
		1	T				DGV		
-7	06501819	3	J, U				DGV		SCREW AND WASHER, Pan Head, M5x0.8x11.00
		3	T				DGV		
8	04800253AA	1	J, U				DGV		GASKET, Clutch Retainer
		1	T				DGV		
9	04412234	1	J, U				DGV		BEARING CUP, Output Shaft

NOTE:

Sales Codes:

[DGV]=4 Speed Automatic Transmission - [42RLE / VLP]

**LIBERTY (KJ)**

**SERIES**

H = HIGHLINE

M = MEDIUM

P = PREMIUM

**LINE**

T = JEEP - 2WD

J = JEEP - 4WD

U = JEEP - 4WD (RHD)

**BODY**

74 = SPORT UTILITY 4-DR

**ENGINE**

EKG = 3.7L V6 Engine

ENR = 2.8L 4 Cyl Turbo Diesel Engine

ENJ = 2.5L 4 Cyl 16V Turbo Diesel Engine

ED1 = 2.4L 4 Cyl DOHC 16v SMPI Engine

**TRANSMISSION**

DG6 = 4-Spd. Automatic 42RLE Transmission

DGV = 4-Spd. Automatic VLP Transmission

DGQ = 5-Spd Automatic 5-45RFE Transmission

DEH = 6-Speed Manual NSG370 Transmission

DDD = 5-Speed HD Manual Transmission

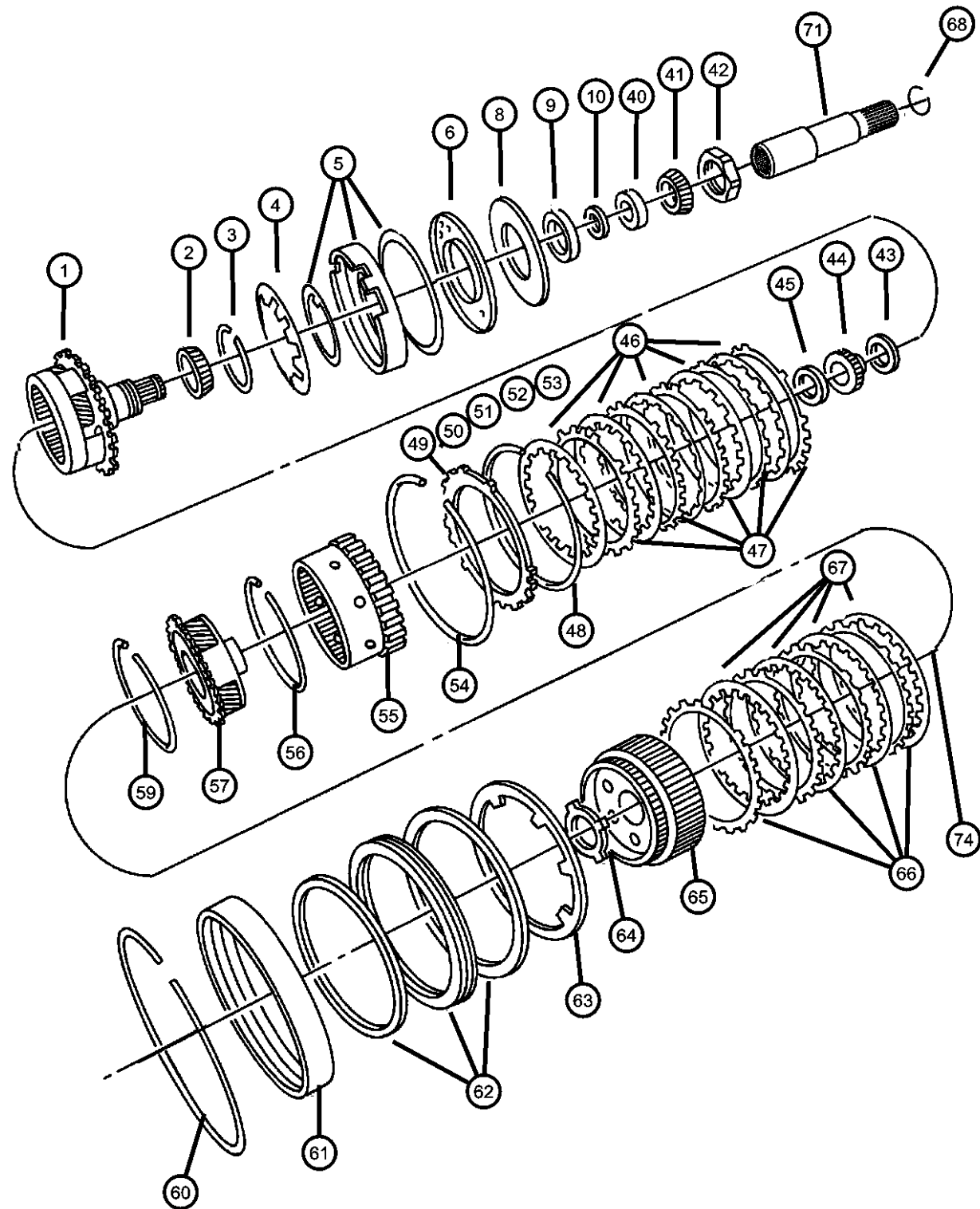
DDK = 5-Speed HD Manual Transmission

AR = use ase required - = Non illustrated part

2006 KJ



**Gear Train**  
**Figure 42RLE-440**



ITEM	PART NUMBER	QTY	LINE	SERIES	BODY	ENGINE	TRANS	TRIM	DESCRIPTION
		1	T				DGV		
10									SHIM, Carrier Bearing, 5.17 - 5.19mm
	05280020	AR	J, U				DGV		
		AR	T				DGV		
-11									SHIM, Carrier Bearing, 5.20 - 5.22mm
	05280021	AR	J, U				DGV		
		AR	T				DGV		
-12									SHIM, Carrier Bearing, 5.23 - 5.25mm
	05280022	AR	J, U				DGV		
		AR	T				DGV		
-13									SHIM, Carrier Bearing, 5.26 - 5.28mm
	05280023	AR	J, U				DGV		
		AR	T				DGV		
-14									SHIM, Carrier Bearing, 5.29 - 5.31mm
	05280024	AR	J, U				DGV		
		AR	T				DGV		
-15									SHIM, Carrier Bearing, 5.32 - 5.34mm
	05280025	AR	J, U				DGV		
		AR	T				DGV		
-16									SHIM, Carrier Bearing, 5.35 - 5.37mm
	05280026	AR	J, U				DGV		
		AR	T				DGV		
-17									SHIM, Carrier Bearing, 5.38 - 5.40mm
	05280027	AR	J, U				DGV		
		AR	T				DGV		
-18									SHIM, Carrier Bearing, 5.41 - 5.43mm

**LIBERTY (KJ)**

SERIES            LINE  
H = HIGHLINE    T = JEEP - 2WD  
M = MEDIUM     J = JEEP - 4WD  
P = PREMIUM     U = JEEP - 4WD (RHD)

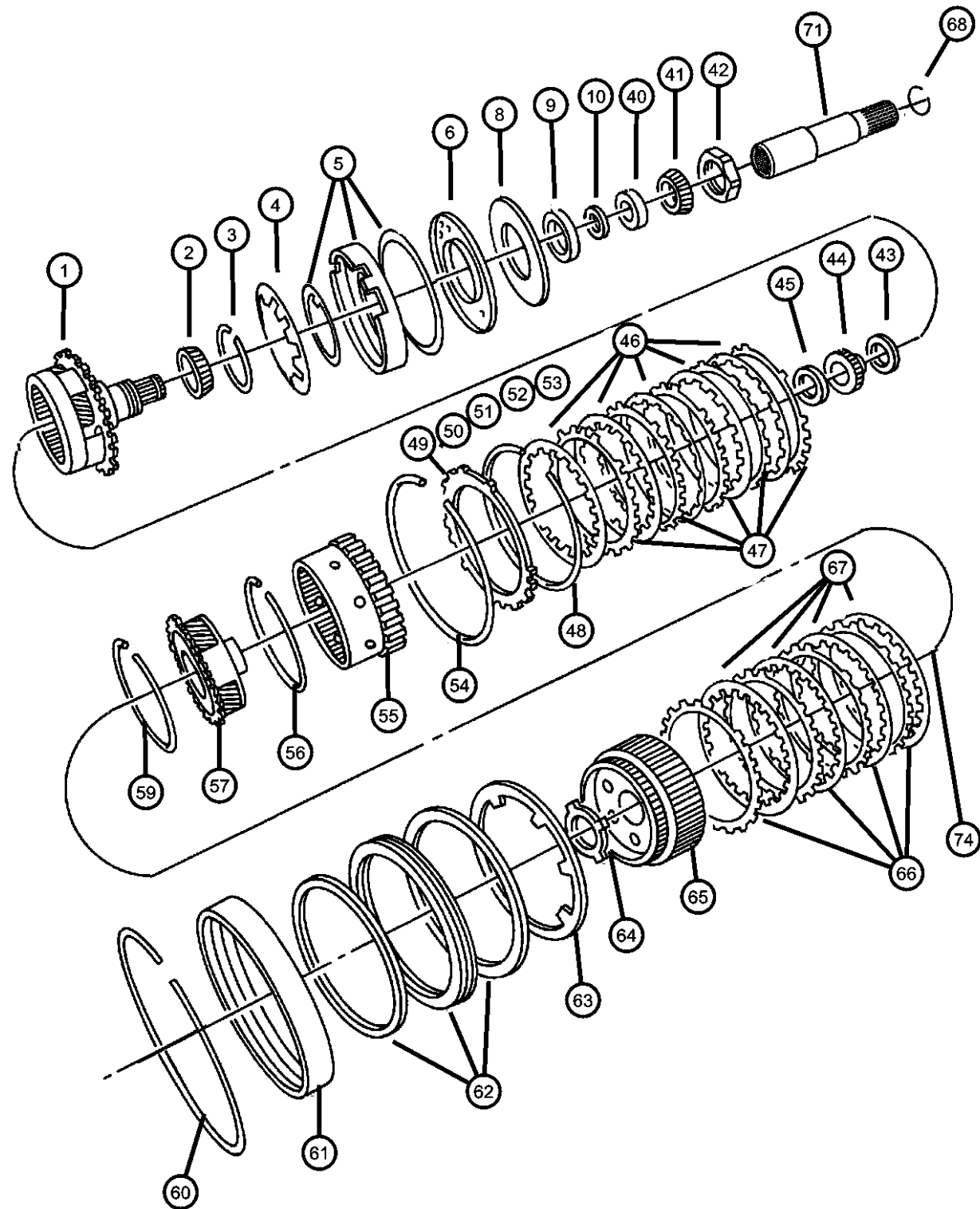
BODY  
74 = SPORT UTILITY 4-DR

ENGINE  
EKG = 3.7L V6 Engine  
ENR = 2.8L 4 Cyl Turbo Diesel Engine  
ENJ = 2.5L 4 Cyl 16V Turbo Diesel Engine  
ED1 = 2.4L 4 Cyl DOHC 16v SMPI Engine

TRANSMISSION  
DG6 = 4-Spd. Automatic 42RLE Transmission  
DGV = 4-Spd. Automatic VLP Transmission  
DGQ = 5-Spd Automatic 5-45RFE Transmission  
DEH = 6-Speed Manual NSG370 Transmission  
DDD = 5-Speed HD Manual Transmission  
DDK = 5-Speed HD Manual Transmission

AR = use ase required    - = Non illustrated part

**Gear Train**  
**Figure 42RLE-440**



ITEM	PART NUMBER	QTY	LINE	SERIES	BODY	ENGINE	TRANS	TRIM	DESCRIPTION
	05280028	AR	J, U				DGV		
		AR	T				DGV		
-19									SHIM, Carrier Bearing, 5.44 - 5.46mm
	05280029	AR	J, U				DGV		
		AR	T				DGV		
-20									SHIM, Carrier Bearing, 5.47 - 5.49mm
	05280030	AR	J, U				DGV		
		AR	T				DGV		
-21									SHIM, Carrier Bearing, 5.50 - 5.52mm
	05280031	AR	J, U				DGV		
		AR	T				DGV		
-22									SHIM, Carrier Bearing, 5.53 - 5.55mm
	05280032	AR	J, U				DGV		
		AR	T				DGV		
-23									SHIM, Carrier Bearing, 5.56 - 5.58mm
	05280033	AR	J, U				DGV		
		AR	T				DGV		
-24									SHIM, Carrier Bearing, 5.59 - 5.61mm
	05280034	AR	J, U				DGV		
		AR	T				DGV		
-25									SHIM, Carrier Bearing, 5.62 - 5.64mm
	05280035	AR	J, U				DGV		
		AR	T				DGV		
-26									SHIM, Carrier Bearing, 5.65 - 5.67mm
	05280036	AR	J, U				DGV		
		AR	T				DGV		

**LIBERTY (KJ)**

SERIES      LINE  
H = HIGHLINE    T = JEEP - 2WD  
M = MEDIUM     J = JEEP - 4WD  
P = PREMIUM    U = JEEP - 4WD (RHD)

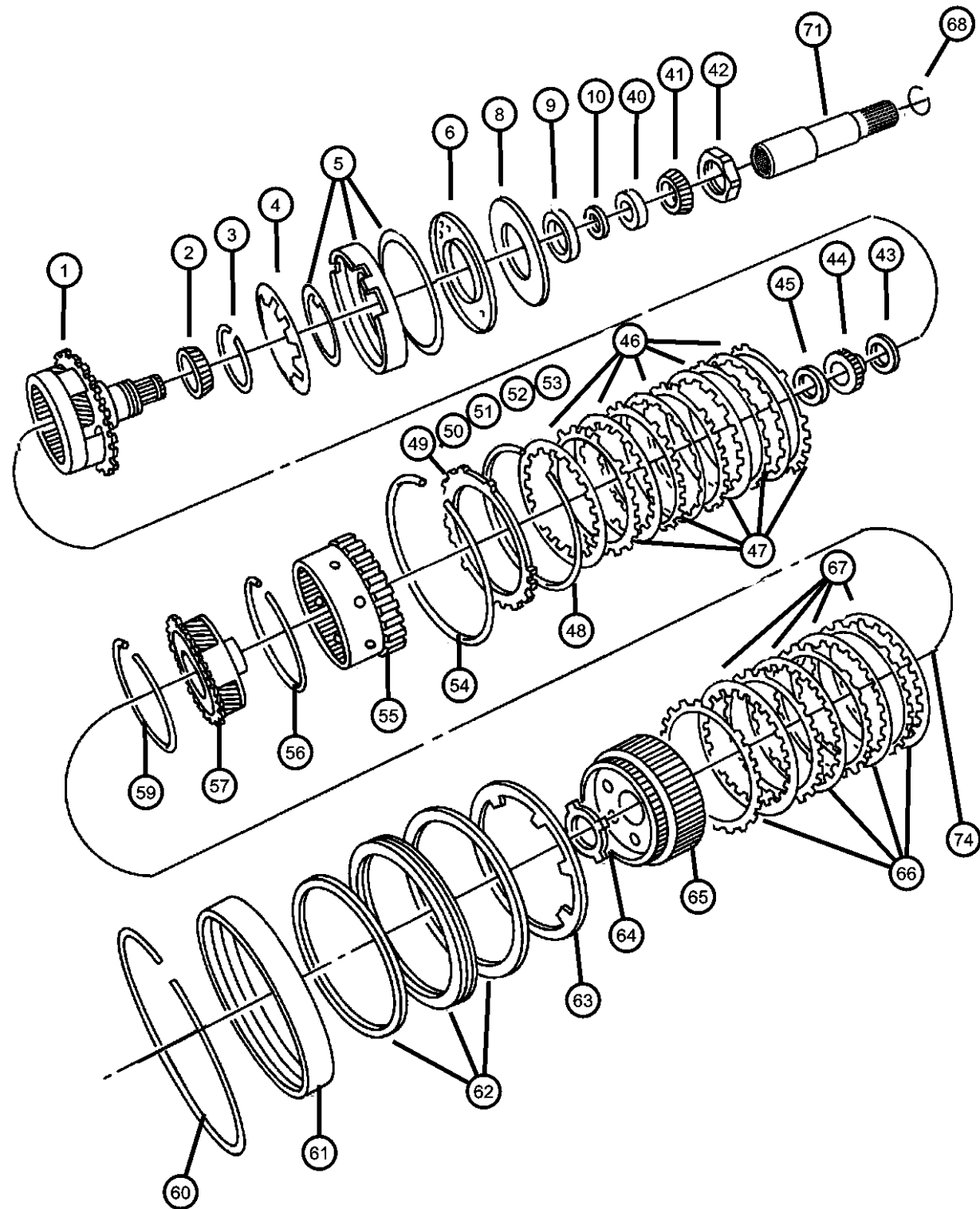
BODY  
74 = SPORT UTILITY 4-DR

ENGINE  
EKG = 3.7L V6 Engine  
ENR = 2.8L 4 Cyl Turbo Diesel Engine  
ENJ = 2.5L 4 Cyl 16V Turbo Diesel Engine  
ED1 = 2.4L 4 Cyl DOHC 16v SMPI Engine

TRANSMISSION  
DG6 = 4-Spd. Automatic 42RLE Transmission  
DGV = 4-Spd. Automatic VLP Transmission  
DGQ = 5-Spd Automatic 5-45RFE Transmission  
DEH = 6-Speed Manual NSG370 Transmission  
DDD = 5-Speed HD Manual Transmission  
DDK = 5-Speed HD Manual Transmission

AR = use ase required    - = Non illustrated part

**Gear Train**  
**Figure 42RLE-440**



ITEM	PART NUMBER	QTY	LINE	SERIES	BODY	ENGINE	TRANS	TRIM	DESCRIPTION
-27									SHIM, Carrier Bearing, 5.68 - 5.70mm
	05280037	AR	J, U				DGV		
		AR	T				DGV		
-28									SHIM, Carrier Bearing, 5.71 - 5.73mm
	05280038	AR	J, U				DGV		
		AR	T				DGV		
-29									SHIM, Carrier Bearing, 5.74 - 5.76mm
	05280039	AR	J, U				DGV		
		AR	T				DGV		
-30									SHIM, Carrier Bearing, 5.77 - 5.79mm
	05280040	AR	J, U				DGV		
		AR	T				DGV		
-31									SHIM, Carrier Bearing, 5.80 - 5.82mm
	05280041	AR	J, U				DGV		
		AR	T				DGV		
-32									SHIM, Carrier Bearing, 5.83 - 5.85mm
	05280042	AR	J, U				DGV		
		AR	T				DGV		
-33									SHIM, Carrier Bearing, 5.86 - 5.88mm
	05280043	AR	J, U				DGV		
		AR	T				DGV		
-34									SHIM, Carrier Bearing, 5.89 - 5.91mm
	05280044	AR	J, U				DGV		
		AR	T				DGV		
-35									SHIM, Carrier Bearing, 5.92 - 5.94mm
	05280045	AR	J, U				DGV		

**LIBERTY (KJ)**

SERIES            LINE  
H = HIGHLINE    T = JEEP - 2WD  
M = MEDIUM     J = JEEP - 4WD  
P = PREMIUM     U = JEEP - 4WD (RHD)

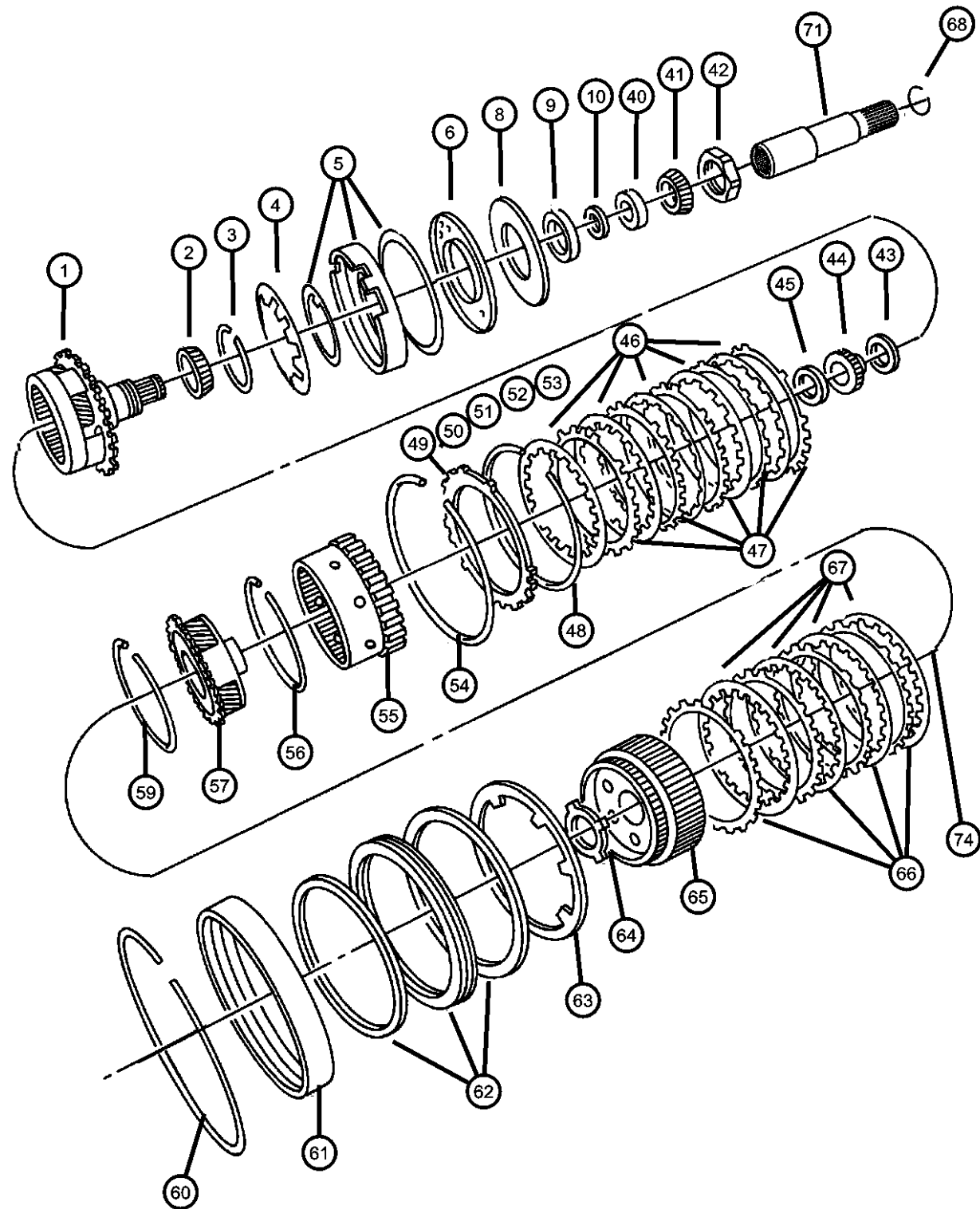
BODY  
74 = SPORT UTILITY 4-DR

ENGINE  
EKG = 3.7L V6 Engine  
ENR = 2.8L 4 Cyl Turbo Diesel Engine  
ENJ = 2.5L 4 Cyl 16V Turbo Diesel Engine  
ED1 = 2.4L 4 Cyl DOHC 16v SMPI Engine

TRANSMISSION  
DG6 = 4-Spd. Automatic 42RLE Transmission  
DGV = 4-Spd. Automatic VLP Transmission  
DGQ = 5-Spd Automatic 5-45RFE Transmission  
DEH = 6-Speed Manual NSG370 Transmission  
DDD = 5-Speed HD Manual Transmission  
DDK = 5-Speed HD Manual Transmission

AR = use ase required    - = Non illustrated part

**Gear Train**  
**Figure 42RLE-440**



ITEM	PART NUMBER	QTY	LINE	SERIES	BODY	ENGINE	TRANS	TRIM	DESCRIPTION
-36		AR	T				DGV		SHIM, Carrier Bearing, 5.95 - 5.97mm
	05280046	AR	J, U				DGV		
		AR	T				DGV		
-37									SHIM, Carrier Bearing, 5.98 - 6.00mm
	05280047	AR	J, U				DGV		
		AR	T				DGV		
-38									SHIM, Carrier Bearing, 6.01 - 6.03mm
	05280048	AR	J, U				DGV		
		AR	T				DGV		
-39									SHIM, Carrier Bearing, 6.04 - 6.06mm
	05280049	AR	J, U				DGV		
		AR	T				DGV		
40									BEARING CUP, Differential
	04567022	1	J, U				DGV		
		1	T				DGV		
41	04567025AB	1	J, U				DGV		BEARING CONE, Differential
42									NUT, Rear Carrier, M36 x 1.50
	06502476	1	J, U				DGV		
		1	T				DGV		
43									THRUST BEARING
	04412209	1	J, U				DGV		
		1	T				DGV		
44									GEAR, Sun
	04377080	1	J, U				DGV		
		1	T				DGV		
45									THRUST BEARING, Rear Sun Gear, Front

**LIBERTY (KJ)**

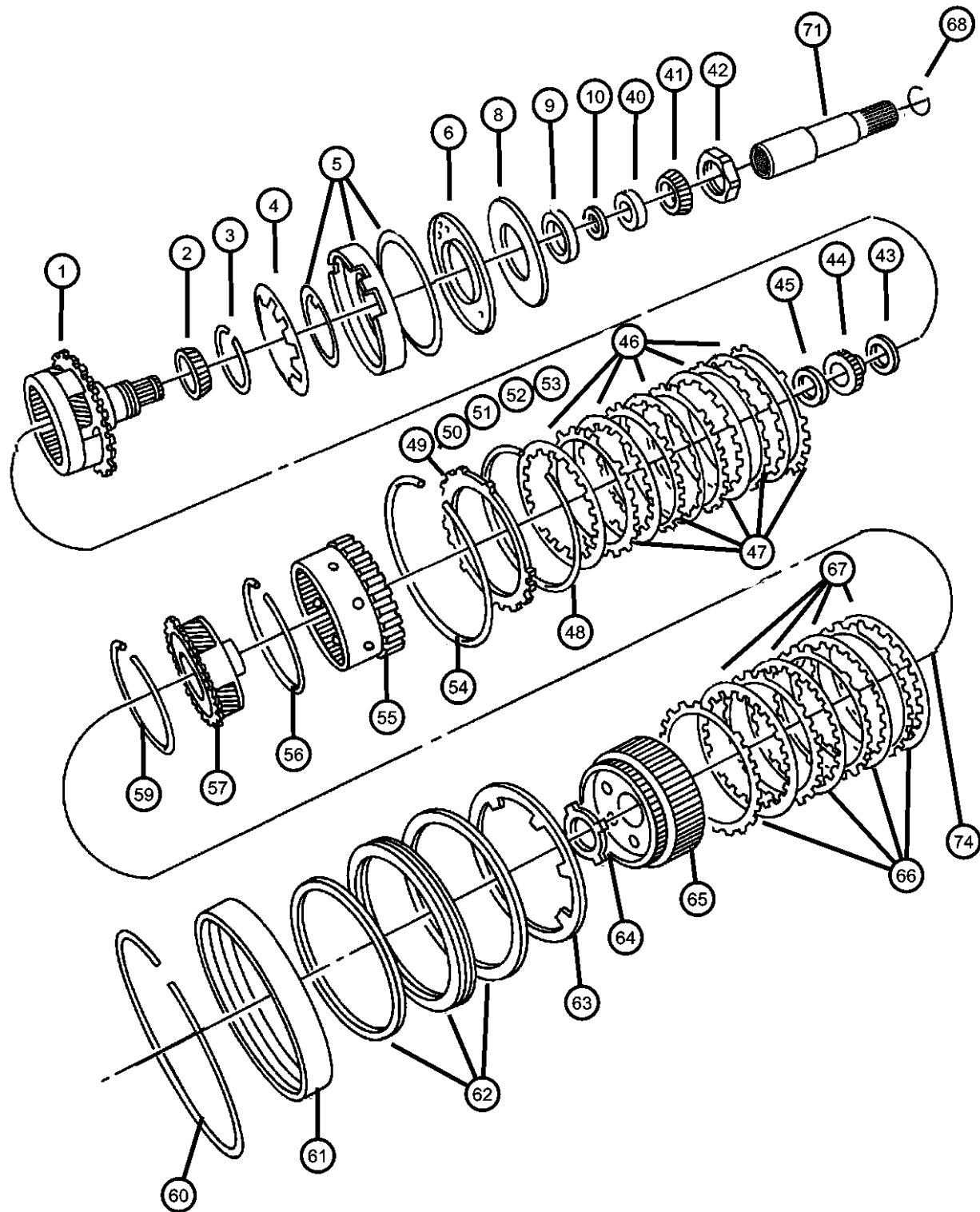
SERIES      LINE  
H = HIGHLINE    T = JEEP - 2WD  
M = MEDIUM     J = JEEP - 4WD  
P = PREMIUM    U = JEEP - 4WD (RHD)

BODY  
74 = SPORT UTILITY 4-DR

ENGINE      TRANSMISSION  
EKG = 3.7L V6 Engine      DG6 = 4-Spd. Automatic 42RLE  
ENR = 2.8L 4 Cyl Turbo Diesel Engine      Transmission  
ENJ = 2.5L 4 Cyl 16V Turbo Diesel Engine      DGV = 4-Spd. Automatic VLP  
ED1 = 2.4L 4 Cyl DOHC 16v SMPI Engine      Transmission  
DGQ = 5-Spd Automatic 5-45RFE  
DEH = 6-Speed Manual NSG370  
Transmission  
DDD = 5-Speed HD Manual  
Transmission  
DDK = 5-Speed HD Manual  
Transmission

AR = use ase required    - = Non illustrated part

**Gear Train**  
**Figure 42RLE-440**



ITEM	PART NUMBER	QTY	LINE	SERIES	BODY	ENGINE	TRANS	TRIM	DESCRIPTION
	04412229AB	1	J, U				DGV		
		1	T				DGV		
46	04567573AB	5	J, U				DGV		DISC, Clutch
		5	T				DGV		
47	04659055	5	J, U				DGV		PLATE, Transmission Clutch Reaction
		5	T				DGV		
48	04412395	1	J, U				DGV		SNAP RING
		1	T				DGV		
49	04897452AA	1	T				DGV		PLATE PACKAGE, Low/Reverse Clutch, 5.753/6.012
50	04897453AA	1	T				DGV		PLATE PACKAGE, Low/Reverse Clutch, 6.013/6.272
51	04897454AA	1	T				DGV		PLATE PACKAGE, Low/Reverse Clutch, 6.273/6.532
52	04897455AA	1	T				DGV		PLATE PACKAGE, Low/Reverse Clutch, 6.533/6.792
53	04897456AA	1	T				DGV		PLATE PACKAGE, Low/Reverse Clutch, 6.793/7.052
54	04799858AA	1	J, U				DGV		SNAP RING
		1	T				DGV		
55	04799794	1	J, U				DGV		GEAR, Annulus
		1	T				DGV		
56	06035238	2	J, U				DGV		SNAP RING
		2	T				DGV		
57	04567539AB	1	J, U				DGV		CARRIER, Planetary Pinion

**LIBERTY (KJ)**

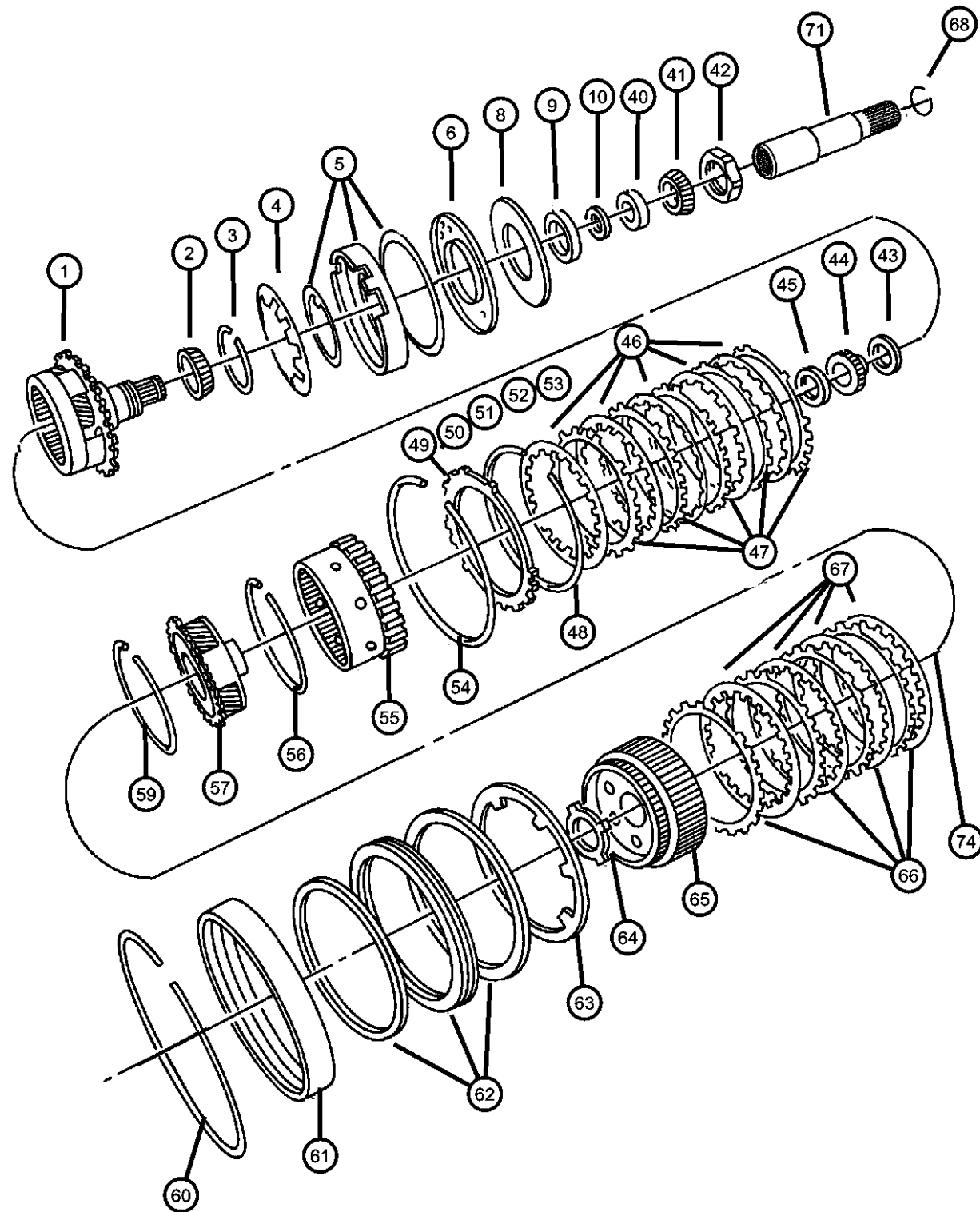
SERIES      LINE  
H = HIGHLINE    T = JEEP - 2WD  
M = MEDIUM     J = JEEP - 4WD  
P = PREMIUM    U = JEEP - 4WD (RHD)

BODY  
74 = SPORT UTILITY 4-DR

ENGINE      TRANSMISSION  
EKG = 3.7L V6 Engine      DG6 = 4-Spd. Automatic 42RLE  
ENR = 2.8L 4 Cyl Turbo Diesel Engine      Transmission  
ENJ = 2.5L 4 Cyl 16V Turbo Diesel Engine      DGV = 4-Spd. Automatic VLP  
ED1 = 2.4L 4 Cyl DOHC 16v SMPI Engine      Transmission  
DGQ = 5-Spd Automatic 5-45RFE  
DEH = 6-Speed Manual NSG370  
Transmission  
DDD = 5-Speed HD Manual  
Transmission  
DDK = 5-Speed HD Manual  
Transmission

AR = use ase required - = Non illustrated part

**Gear Train**  
**Figure 42RLE-440**



ITEM	PART NUMBER	QTY	LINE	SERIES	BODY	ENGINE	TRANS	TRIM	DESCRIPTION
-58		1	T				DGV		THRUST BEARING
	04412209	1	J, U				DGV		
		1	T				DGV		
59									SNAP RING
	06035238	2	J, U				DGV		
		2	T				DGV		
60									SNAP RING
	04505591	1	T				DGV		
		1	J, U				DGV		
61	05102880AA	1	T				DGV		RETAINER PACKAGE, 2nd & 4th Clutch Piston
62	05102880AA	1	T				DGV		RETAINER PACKAGE, 2nd & 4th Clutch Piston
63									SPRING, 2nd And 4th Clutch Piston
	04412248	1	J, U				DGV		
		1	T				DGV		
64									THRUST WASHER, Second and Fourth Clutch
	04412216AB	1	J, U				DGV		
		1	T				DGV		
65									HUB AND GEAR, Second And Fourth Clutch
	04659618AB	1	J, U				DGV		
		1	T				DGV		
66									PLATE, Transmission Clutch Reaction
	04659054	4	J, U				DGV		
		4	T				DGV		
67									DISC, Clutch
	04799860AB	4	J, U				DGV		
		4	T				DGV		

**LIBERTY (KJ)**  
 SERIES            LINE  
 H = HIGHLINE    T = JEEP - 2WD  
 M = MEDIUM     J = JEEP - 4WD  
 P = PREMIUM     U = JEEP - 4WD (RHD)

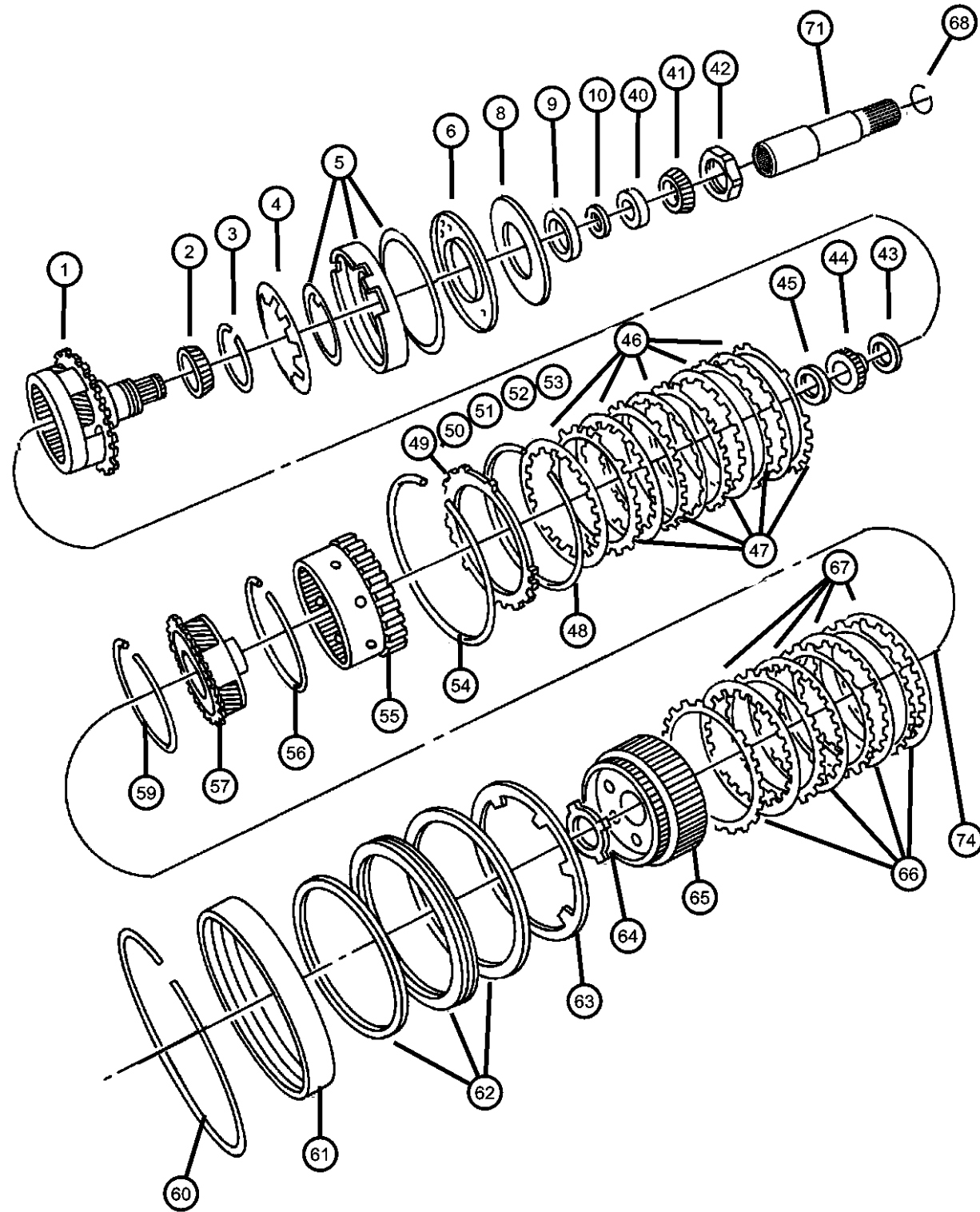
**BODY**  
 74 = SPORT UTILITY 4-DR

**ENGINE**  
 EKG = 3.7L V6 Engine  
 ENR = 2.8L 4 Cyl Turbo Diesel Engine  
 ENJ = 2.5L 4 Cyl 16V Turbo Diesel Engine  
 ED1 = 2.4L 4 Cyl DOHC 16v SMPI Engine

**TRANSMISSION**  
 DG6 = 4-Spd. Automatic 42RLE Transmission  
 DGV = 4-Spd. Automatic VLP Transmission  
 DGQ = 5-Spd Automatic 5-45RFE Transmission  
 DEH = 6-Speed Manual NSG370 Transmission  
 DDD = 5-Speed HD Manual Transmission  
 DDK = 5-Speed HD Manual Transmission

AR = use ase required - = Non illustrated part

**Gear Train**  
**Figure 42RLE-440**

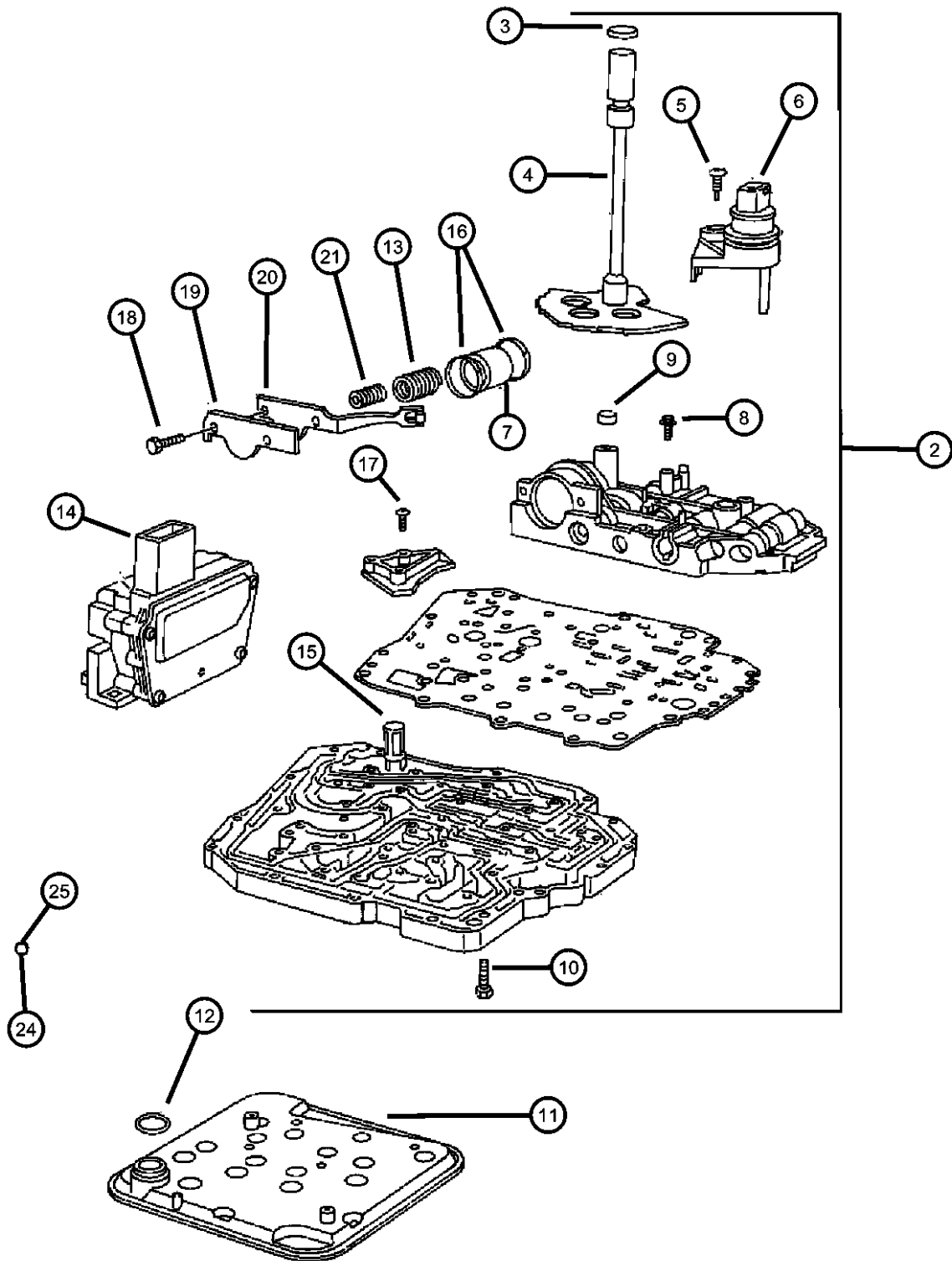


ITEM	PART NUMBER	QTY	LINE	SERIES	BODY	ENGINE	TRANS	TRIM	DESCRIPTION
68	52852916AA	1	J, U				DGV		CLIP
-69							DGV		THRUST WASHER, Planet Pinion
	03681949	10	T				DGV		
		6	J, U				DGV		
-70									ROLLER, Front and Rear Pinion
	03743664	57	T				DGV		
		57	J, U				DGV		
71	52852915AA	1	J, U				DGV		SHAFT, Intermediate
-72	52852916AA	1	J, U				DGV		CLIP
-73	52854168AA	1	T				DGV		SHAFT, Output
74	02466224	1	T				DGV		BEARING, Output Shaft

<b>LIBERTY (KJ)</b>				
SERIES	LINE	BODY	ENGINE	TRANSMISSION
H = HIGHLINE	T = JEEP - 2WD	74 = SPORT UTILITY 4-DR	EKG = 3.7L V6 Engine	DG6 = 4-Spd. Automatic 42RLE
M = MEDIUM	J = JEEP - 4WD		ENR = 2.8L 4 Cyl Turbo Diesel Engine	Transmission
P = PREMIUM	U = JEEP - 4WD (RHD)		ENJ = 2.5L 4 Cyl 16V Turbo Diesel Engine	DGV = 4-Spd. Automatic VLP
			ED1 = 2.4L 4 Cyl DOHC 16v SMPI Engine	Transmission
				DGQ = 5-Spd Automatic 5-45RFE
				Transmission
				DEH = 6-Speed Manual NSG370
				Transmission
				DDD = 5-Speed HD Manual
				Transmission
				DDK = 5-Speed HD Manual
				Transmission

AR = use ase required - = Non illustrated part

**Valve Body  
Figure 42RLE-710**



**NOTE:**

Gasket and Seal Package includes all Valve Body Seals and Transmission Filter

Sales Codes:

[DG6]=4 Speed Automatic Transmission - [42RLE]

ITEM	PART NUMBER	QTY	LINE	SERIES	BODY	ENGINE	TRANS	TRIM	DESCRIPTION
-1									GASKET AND SEAL PACKAGE, Valve Body
	05101917AB	1	J, U				DG6		
		1	T				DG6		
2	52854169AA	1	T				DG6		VALVE BODY
		1	J, U				DG6		
3	04412836	1	T				DG6		SEAL, Manual Valve Lever
		1	J, U				DG6		
4	04800280AA	1	J, U				DG6		LEVER, Manual Valve
		1	T				DG6		
5	06506245AA	1	T				DG6		SCREW
		1	J, U				DG6		
6	04659677AC	1	T				DG6		SENSOR, Manual Valve Lever
		1	J, U				DG6		
7	04446620AC	1	J, U				DG6		PISTON, Accumulator
		1	T				DG6		
8	06500215	28	J, U				DG6		SCREW AND WASHER, Pan Head, M5x.8x25
		28	T				DG6		
9	04412291	1	T				DG6		SEAL, Clutch Feed

**LIBERTY (KJ)**

**SERIES**

H = HIGHLINE

M = MEDIUM

P = PREMIUM

**LINE**

T = JEEP - 2WD

J = JEEP - 4WD

U = JEEP - 4WD (RHD)

**BODY**

74 = SPORT UTILITY 4-DR

**ENGINE**

EKG = 3.7L V6 Engine

ENR = 2.8L 4 Cyl Turbo Diesel Engine

ENJ = 2.5L 4 Cyl 16V Turbo Diesel Engine

ED1 = 2.4L 4 Cyl DOHC 16v SMPI Engine

**TRANSMISSION**

DG6 = 4-Spd. Automatic 42RLE

Transmission

DGV = 4-Spd. Automatic VLP

Transmission

DGQ = 5-Spd Automatic 5-45RFE

Transmission

DEH = 6-Speed Manual NSG370

Transmission

DDD = 5-Speed HD Manual

Transmission

DDK = 5-Speed HD Manual

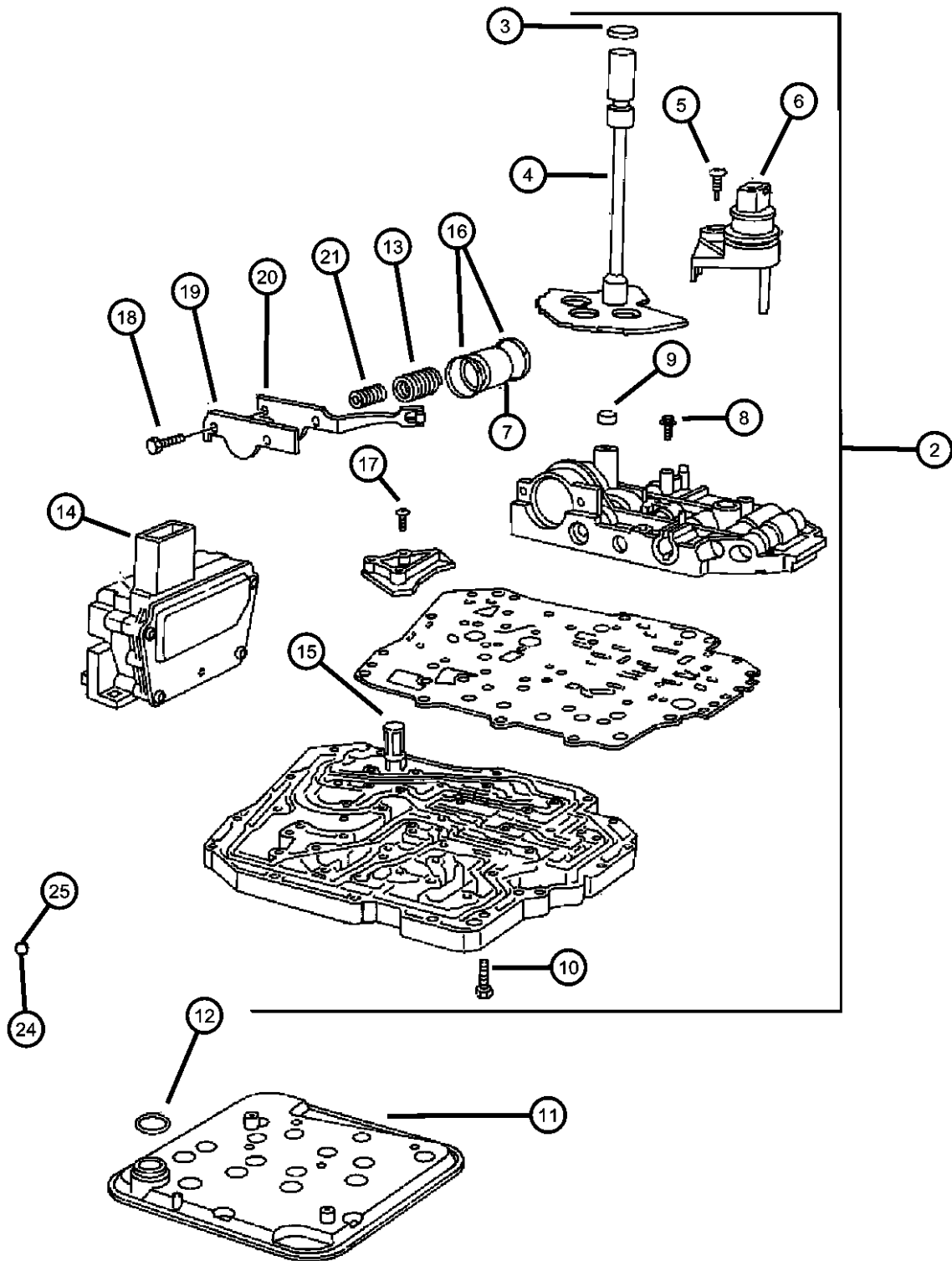
Transmission

AR = use ase required - = Non illustrated part

2006 KJ



**Valve Body  
Figure 42RLE-710**



ITEM	PART NUMBER	QTY	LINE	SERIES	BODY	ENGINE	TRANS	TRIM	DESCRIPTION
10		1	J, U				DG6		SCREW AND WASHER, Pan Head, M5x.8x25
	06500215	2	T				DG6		
		2	J, U				DG6		
11		1	T				DG6		FILTER, Transmission Oil
	52852913AB	1	T				DG6		
		1	J, U				DG6		
12		1	J, U				DG6		O RING, Trans Oil Filter
	06032780	1	J, U				DG6		
		1	T				DG6		
13		1	T				DG6		SPRING, Accumulator
	04471880	1	T				DG6		
		1	J, U				DG6		
14		1	J, U				DG6		SOLENOID PACKAGE, Valve Body
	05143151AA	1	J, U				DG6		
		1	T				DG6		
15		1	T				DG6		SCREEN, Transmission Regulator Valve
	03878313	1	T				DG6		
		1	J, U				DG6		
16		1							SEAL, Accumulator, Serviced with piston, Seal Is Bonded, (NOT SERVICED)
17		1							SCREW AND WASHER, Pan Head, M5x.8x25
	06500215	2	T				DG6		
		2	J, U				DG6		
18		7	T				DG6		SCREW, Pan Head, M5 x 0.8 x 12.60
	06503232	7	T				DG6		
		2	J, U				DG6		

**LIBERTY (KJ)**

SERIES      LINE  
H = HIGHLINE    T = JEEP - 2WD  
M = MEDIUM     J = JEEP - 4WD  
P = PREMIUM     U = JEEP - 4WD (RHD)

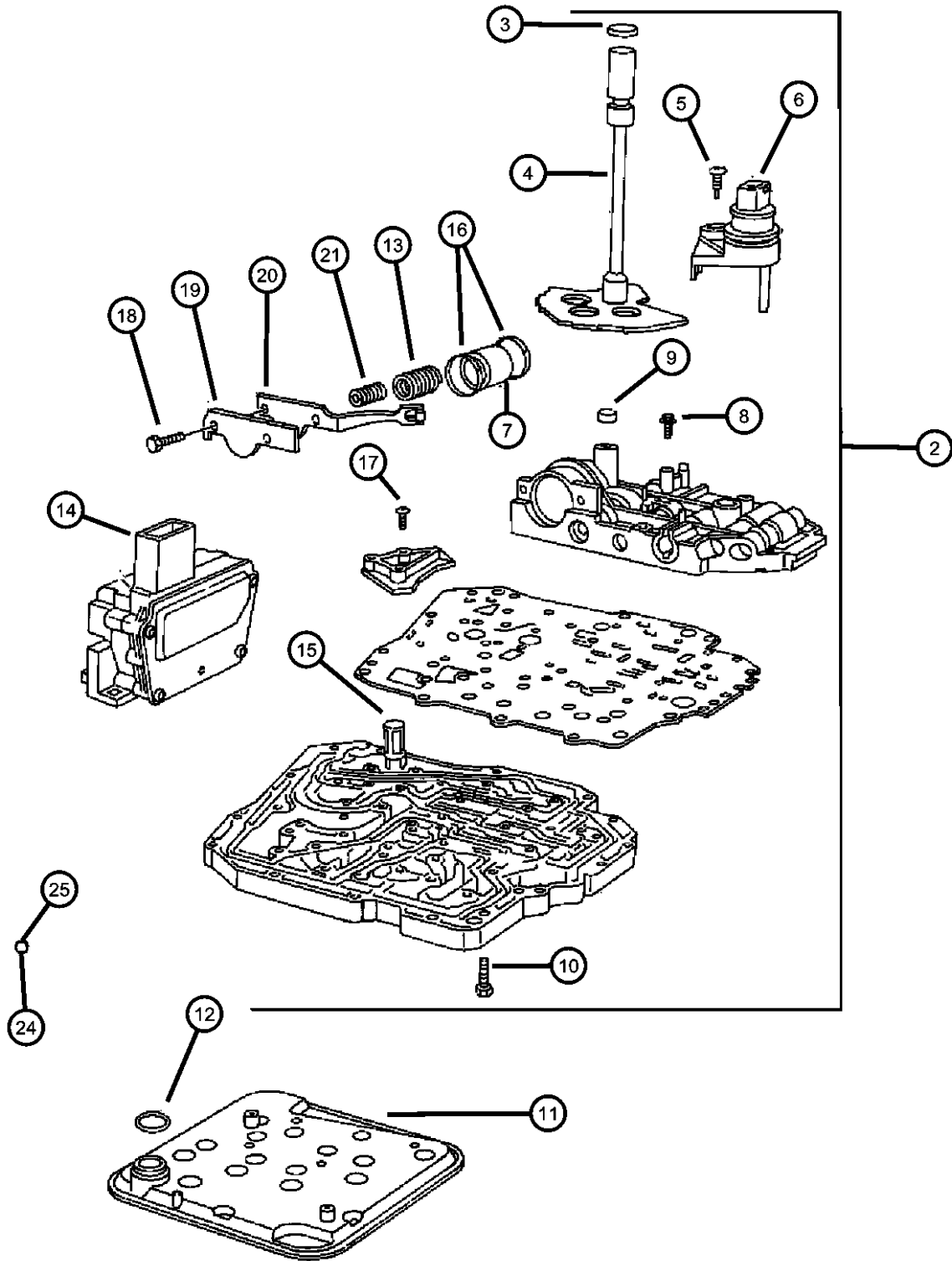
BODY  
74 = SPORT UTILITY 4-DR

ENGINE  
EKG = 3.7L V6 Engine  
ENR = 2.8L 4 Cyl Turbo Diesel Engine  
ENJ = 2.5L 4 Cyl 16V Turbo Diesel Engine  
ED1 = 2.4L 4 Cyl DOHC 16v SMPI Engine

TRANSMISSION  
DG6 = 4-Spd. Automatic 42RLE Transmission  
DGV = 4-Spd. Automatic VLP Transmission  
DGQ = 5-Spd Automatic 5-45RFE Transmission  
DEH = 6-Speed Manual NSG370 Transmission  
DDD = 5-Speed HD Manual Transmission  
DDK = 5-Speed HD Manual Transmission

AR = use ase required - = Non illustrated part

**Valve Body  
Figure 42RLE-710**



ITEM	PART NUMBER	QTY	LINE	SERIES	BODY	ENGINE	TRANS	TRIM	DESCRIPTION
19									RETAINER, Transmission 2nd and 4th Accumulator Piston
	04431711	1	T				DG6		
		1	J, U				DG6		
20									DETENT, Valve Body
	04431710	1	J, U				DG6		
		1	T				DG6		
21									SPRING, Accumulator
	04471880	1	T				DG6		
		1	J, U				DG6		
-22									DOWEL, M6x16
	06100994	1	J, U				DG6		
		1	T				DG6		
-23									VALVE, Transmission Regulator
	04659081	1	J, U				DG6		
		1	T				DG6		
24									BALL, Check
	52118261	4	T				DG6		
		4	J, U				DG6		
25									BALL, Valve Body Check
	00104918	1	J, U				DG6		
		1	T				DG6		

**LIBERTY (KJ)**  
 SERIES            LINE  
 H = HIGHLINE    T = JEEP - 2WD  
 M = MEDIUM     J = JEEP - 4WD  
 P = PREMIUM     U = JEEP - 4WD (RHD)

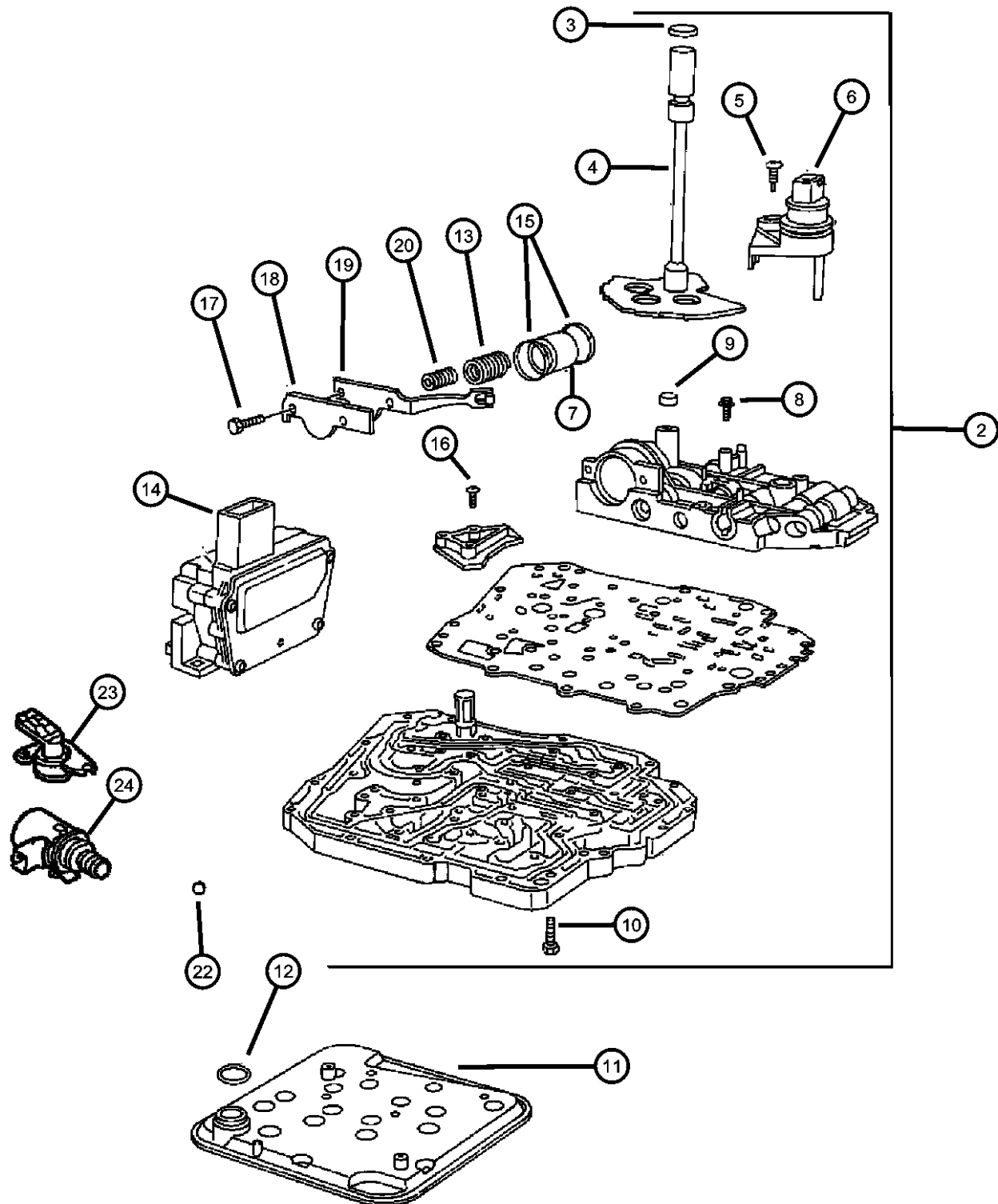
**BODY**  
 74 = SPORT UTILITY 4-DR

**ENGINE**  
 EKG = 3.7L V6 Engine  
 ENR = 2.8L 4 Cyl Turbo Diesel Engine  
 ENJ = 2.5L 4 Cyl 16V Turbo Diesel Engine  
 ED1 = 2.4L 4 Cyl DOHC 16v SMPI Engine

**TRANSMISSION**  
 DG6 = 4-Spd. Automatic 42RLE Transmission  
 DGV = 4-Spd. Automatic VLP Transmission  
 DGQ = 5-Spd Automatic 5-45RFE Transmission  
 DEH = 6-Speed Manual NSG370 Transmission  
 DDD = 5-Speed HD Manual Transmission  
 DDK = 5-Speed HD Manual Transmission

AR = use ase required - = Non illustrated part

**Valve Body  
Figure 42RLE-720**



ITEM	PART NUMBER	QTY	LINE	SERIES	BODY	ENGINE	TRANS	TRIM	DESCRIPTION
------	-------------	-----	------	--------	------	--------	-------	------	-------------

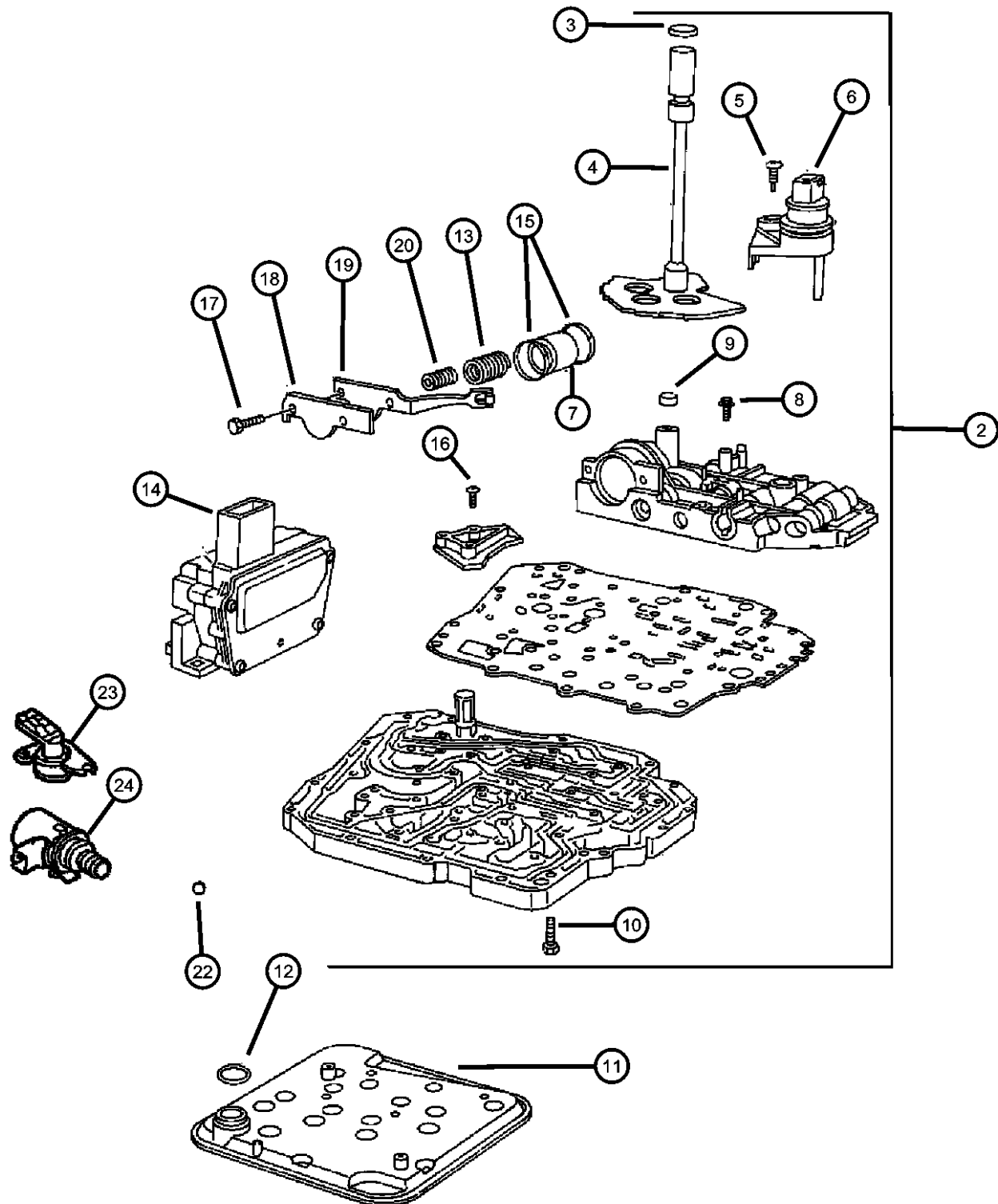
NOTE:  
Gasket and Seal Package includes all Valve Body Seals and Transmission Filter  
Sales Codes:  
[DGV]=4 Speed Automatic Transmission - [42RLE / VLP]

-1									GASKET AND SEAL PACKAGE, Valve Body
	05101917AB	1	T				DGV		
		1	J, U				DGV		
2									VALVE BODY
	05078327AA	1	T				DGV		
		1	J, U				DGV		
3									SEAL, Manual Valve Lever
	04412836	1	T				DGV		
		1	J, U				DGV		
4									LEVER, Manual Valve
	04800280AA	1	T				DGV		
		1	J, U				DGV		
5									SCREW
	06508007AA	1	T				DGV		
		1	J, U				DGV		
6									SENSOR, Manual Valve Lever
	04659677AC	1	J, U				DGV		
		1	T				DGV		
7									PISTON, Accumulator
	04446620AC	1	T				DGV		
		1	J, U				DGV		
8									SCREW AND WASHER, Pan Head, M5x.8x25
	06500215	2	T				DGV		
		2	J, U				DGV		
9									SEAL, Clutch Feed
	04412291	1	T				DGV		

<b>LIBERTY (KJ)</b>				
SERIES	LINE	BODY	ENGINE	TRANSMISSION
H = HIGHLINE	T = JEEP - 2WD	74 = SPORT UTILITY 4-DR	EKG = 3.7L V6 Engine	DG6 = 4-Spd. Automatic 42RLE Transmission
M = MEDIUM	J = JEEP - 4WD		ENR = 2.8L 4 Cyl Turbo Diesel Engine	DGV = 4-Spd. Automatic VLP Transmission
P = PREMIUM	U = JEEP - 4WD (RHD)		ENJ = 2.5L 4 Cyl 16V Turbo Diesel Engine	DGQ = 5-Spd Automatic 5-45RFE Transmission
			ED1 = 2.4L 4 Cyl DOHC 16v SMPI Engine	DEH = 6-Speed Manual NSG370 Transmission
				DDD = 5-Speed HD Manual Transmission
				DDK = 5-Speed HD Manual Transmission

AR = use ase required - = Non illustrated part

**Valve Body  
Figure 42RLE-720**

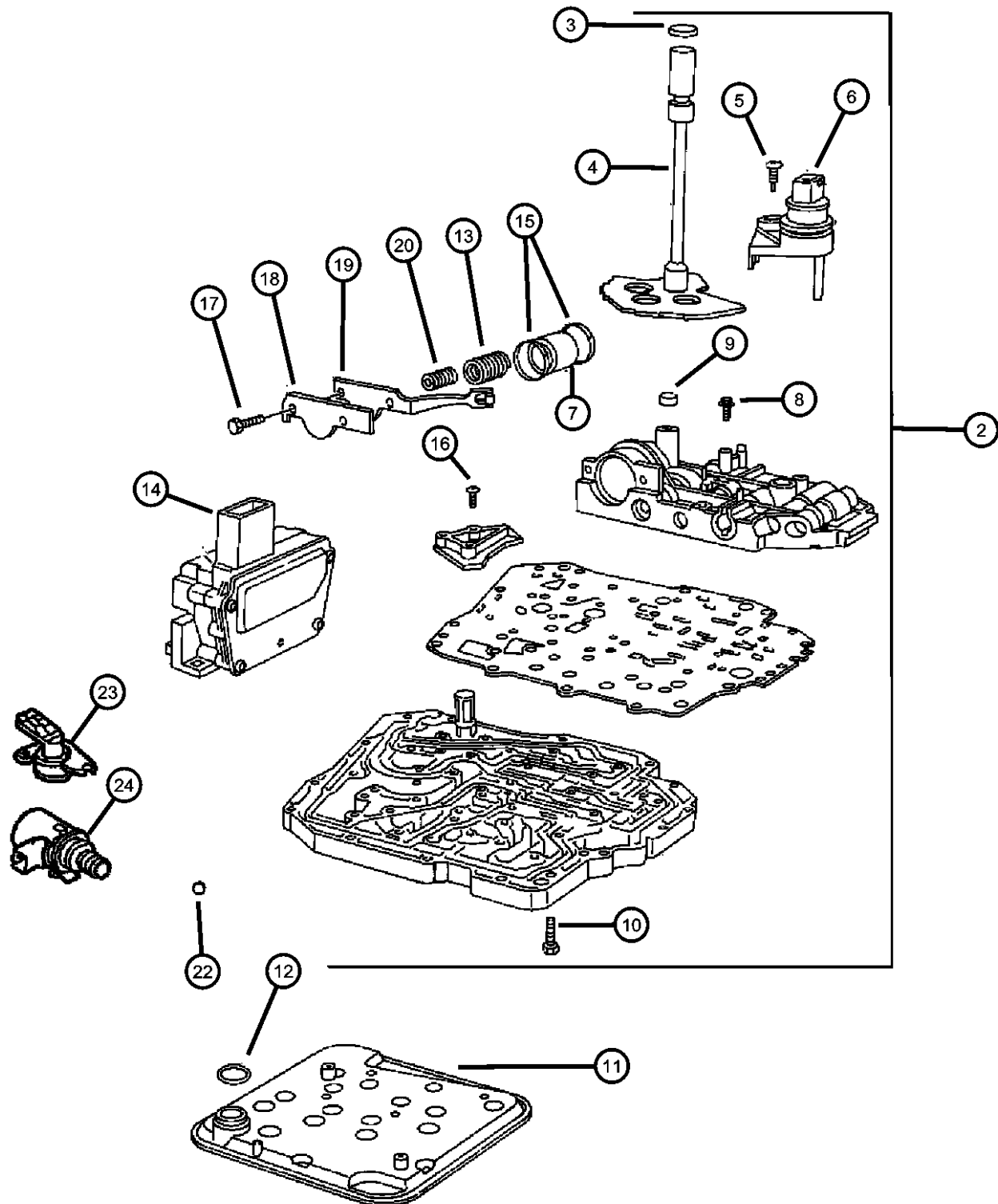


ITEM	PART NUMBER	QTY	LINE	SERIES	BODY	ENGINE	TRANS	TRIM	DESCRIPTION
10		1	U, J				DGV		SCREW AND WASHER, Pan Head, M5x.8x25
	06500215	2	J, U				DGV		
		2	T				DGV		
11		1	T				DGV		FILTER, Transmission Oil
	52852913AB	1	T				DGV		
		1	J, U				DGV		
12		1	J, U				DGV		O RING, Trans Oil Filter
	06032780	1	J, U				DGV		
		1	T				DGV		
13		1	T				DGV		SPRING, Accumulator
	04800310AA	1	T				DGV		
		1	J, U				DGV		
14		1	T				DGV		SOLENOID PACKAGE, Valve Body
	05143151AA	1	T				DGV		
		1	J, U				DGV		
15		1							SEAL, Accumulator, Serviced with piston, Seal Is Bonded, (NOT SERVICED)
16		1							SCREW AND WASHER, Pan Head, M5x.8x25
	06500215	2	J, U				DGV		
		2	T				DGV		
17		7	T				DGV		SCREW, Pan Head
	06508372AA	7	T				DGV		
		7	J, U				DGV		
18		1	T				DGV		RETAINER, Transmission 2nd and 4th Accumulator Piston
	04431711	1	T				DGV		
		1	J, U				DGV		
19		1							DETENT, Valve Body

**LIBERTY (KJ)**  
 SERIES H = HIGHLINE M = MEDIUM P = PREMIUM  
 LINE T = JEEP - 2WD J = JEEP - 4WD U = JEEP - 4WD (RHD)  
 BODY 74 = SPORT UTILITY 4-DR  
 ENGINE EKG = 3.7L V6 Engine ENR = 2.8L 4 Cyl Turbo Diesel Engine ENJ = 2.5L 4 Cyl 16V Turbo Diesel Engine ED1 = 2.4L 4 Cyl DOHC 16v SMPI Engine  
 TRANSMISSION DG6 = 4-Spd. Automatic 42RLE Transmission DGV = 4-Spd. Automatic VLP Transmission DGQ = 5-Spd Automatic 5-45RFE Transmission DEH = 6-Speed Manual NSG370 Transmission DDD = 5-Speed HD Manual Transmission DDK = 5-Speed HD Manual Transmission

AR = use ase required - = Non illustrated part

Valve Body  
Figure 42RLE-720



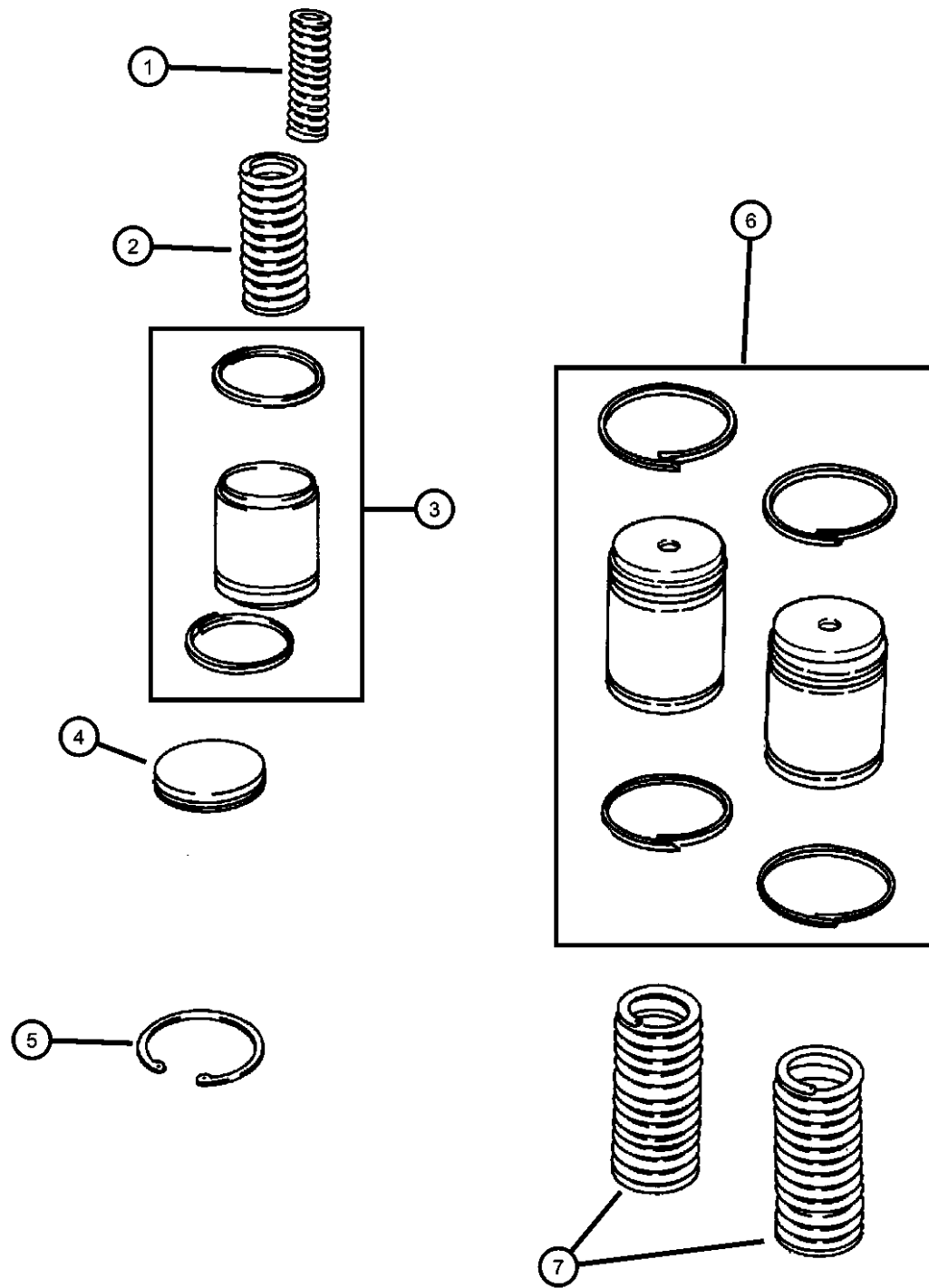
ITEM	PART NUMBER	QTY	LINE	SERIES	BODY	ENGINE	TRANS	TRIM	DESCRIPTION
	04431710	1	T				DGV		
		1	J, U				DGV		
20	04800310AA	1	T				DGV		SPRING, Accumulator
		1	J, U				DGV		
-21	06100994	1	J, U				DGV		DOWEL, M6x16
		1	T				DGV		
22	00147482	2	J, U				DGV		BALL, Check
		2	T				DGV		
23	05078336AA	1	J, U				DGV		SENSOR, TRANS PRESSURE TRANSDUCER
		1	T				DGV		
24	05078335AA	1	J, U				DGV		SENSOR, TRANS VARIABLE FORCE SOLENOID
		1	T				DGV		

LIBERTY (KJ)  
 SERIES H = HIGHLINE M = MEDIUM P = PREMIUM  
 LINE T = JEEP - 2WD J = JEEP - 4WD U = JEEP - 4WD (RHD)  
 BODY 74 = SPORT UTILITY 4-DR  
 ENGINE EKG = 3.7L V6 Engine ENR = 2.8L 4 Cyl Turbo Diesel Engine ENJ = 2.5L 4 Cyl 16V Turbo Diesel Engine ED1 = 2.4L 4 Cyl DOHC 16v SMPI Engine  
 TRANSMISSION DG6 = 4-Spd. Automatic 42RLE Transmission DGV = 4-Spd. Automatic VLP Transmission DGQ = 5-Spd Automatic 5-45RFE Transmission DEH = 6-Speed Manual NSG370 Transmission DDD = 5-Speed HD Manual Transmission DDK = 5-Speed HD Manual Transmission

AR = use ase required - = Non illustrated part

**Accumulator Pistons & Springs**  
**Figure 42RLE-730**

ITEM	PART NUMBER	QTY	LINE	SERIES	BODY	ENGINE	TRANS	TRIM	DESCRIPTION
------	-------------	-----	------	--------	------	--------	-------	------	-------------



NOTE:

Sales Codes:

[DG6]=4 Speed Automatic Transmission - [42RLE]

1									SPRING, Accumulator
	04567575	1	T				DG6		
		1	J, U				DG6		
2									SPRING, Accumulator
	04471880	1	T				DG6		
		1	J, U				DG6		
3									PISTON, Accumulator
	04446620AC	1	J, U				DG6		
		1	T				DG6		
4									COVER, Accumulator
	04431617AB	1	T				DG6		
		1	J, U				DG6		
5									SNAP RING
	06501695	1	J, U				DG6		
		1	T				DG6		
6									PISTON, Accumulator
	04446620AC	1	J, U				DG6		
		1	T				DG6		
7									SPRING, Accumulator
	04800310AA	1	T				DG6		
		2	J, U				DG6		

**LIBERTY (KJ)**

**SERIES**

H = HIGHLINE

M = MEDIUM

P = PREMIUM

**LINE**

T = JEEP - 2WD

J = JEEP - 4WD

U = JEEP - 4WD (RHD)

**BODY**

74 = SPORT UTILITY 4-DR

**ENGINE**

EKG = 3.7L V6 Engine

ENR = 2.8L 4 Cyl Turbo Diesel

Engine

ENJ = 2.5L 4 Cyl 16V Turbo

Diesel Engine

ED1 = 2.4L 4 Cyl DOHC 16v

SMPI Engine

**TRANSMISSION**

DG6 = 4-Spd. Automatic 42RLE

Transmission

DGV = 4-Spd. Automatic VLP

Transmission

DGQ = 5-Spd Automatic 5-45RFE

Transmission

DEH = 6-Speed Manual NSG370

Transmission

DDD = 5-Speed HD Manual

Transmission

DDK = 5-Speed HD Manual

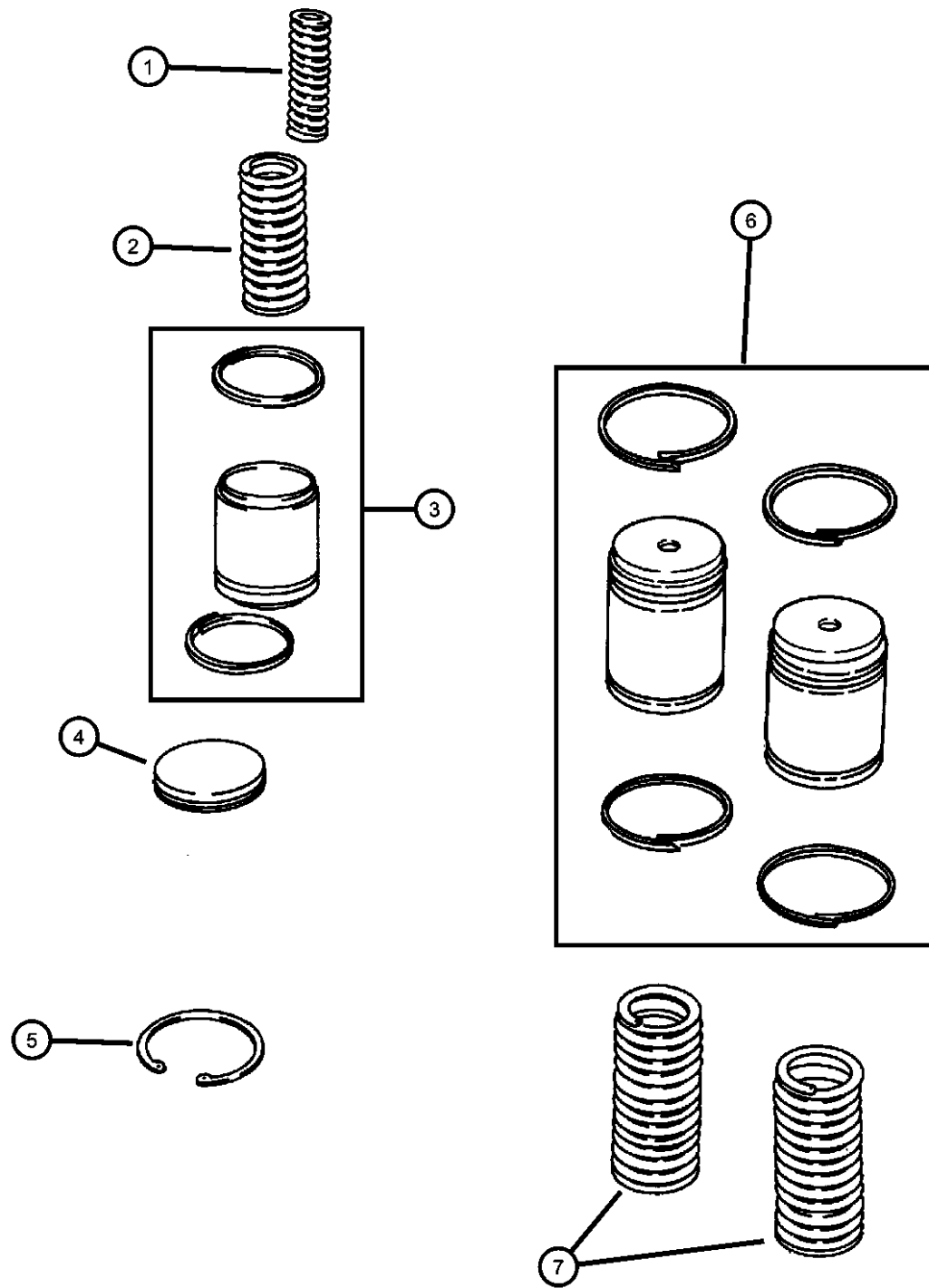
Transmission

AR = use ase required - = Non illustrated part

2006 KJ

**Accumulator Pistons & Springs**  
**Figure 42RLE-740**

ITEM	PART NUMBER	QTY	LINE	SERIES	BODY	ENGINE	TRANS	TRIM	DESCRIPTION
------	-------------	-----	------	--------	------	--------	-------	------	-------------



NOTE:

Sales Codes:

[DGV]=4 Speed Automatic Transmission - [42RLE / VLP]

1									SPRING, Accumulator
	04567575	1	T				DGV		
		1	J, U				DGV		
2									SPRING, Accumulator
	04471880	1	T				DGV		
		1	J, U				DGV		
3									PISTON, Accumulator
	04446620AC	1	T				DGV		
		1	J, U				DGV		
4									COVER, Accumulator
	04431617AB	1	T				DGV		
		1	J, U				DGV		
5									SNAP RING
	06501695	1	T				DGV		
		1	J, U				DGV		
6									PISTON, Accumulator
	04446620AC	1	T				DGV		
		1	J, U				DGV		
7									SPRING, Accumulator
	04800310AA	1	T				DGV		
		1	J, U				DGV		

**LIBERTY (KJ)**

**SERIES**

H = HIGHLINE

M = MEDIUM

P = PREMIUM

**LINE**

T = JEEP - 2WD

J = JEEP - 4WD

U = JEEP - 4WD (RHD)

**BODY**

74 = SPORT UTILITY 4-DR

**ENGINE**

EKG = 3.7L V6 Engine

ENR = 2.8L 4 Cyl Turbo Diesel Engine

ENJ = 2.5L 4 Cyl 16V Turbo Diesel Engine

ED1 = 2.4L 4 Cyl DOHC 16v SMPI Engine

**TRANSMISSION**

DG6 = 4-Spd. Automatic 42RLE

Transmission

DGV = 4-Spd. Automatic VLP

Transmission

DGQ = 5-Spd Automatic 5-45RFE

Transmission

DEH = 6-Speed Manual NSG370

Transmission

DDD = 5-Speed HD Manual

Transmission

DDK = 5-Speed HD Manual

Transmission

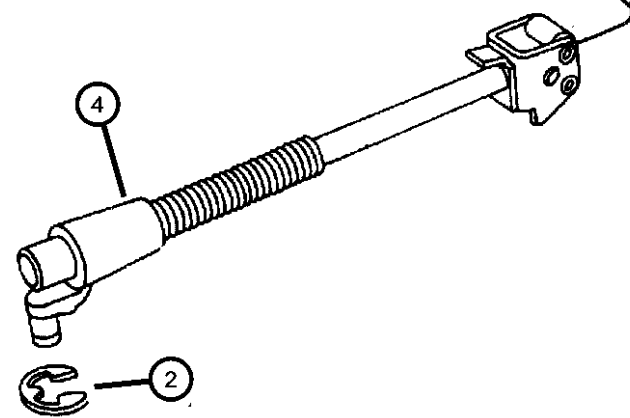
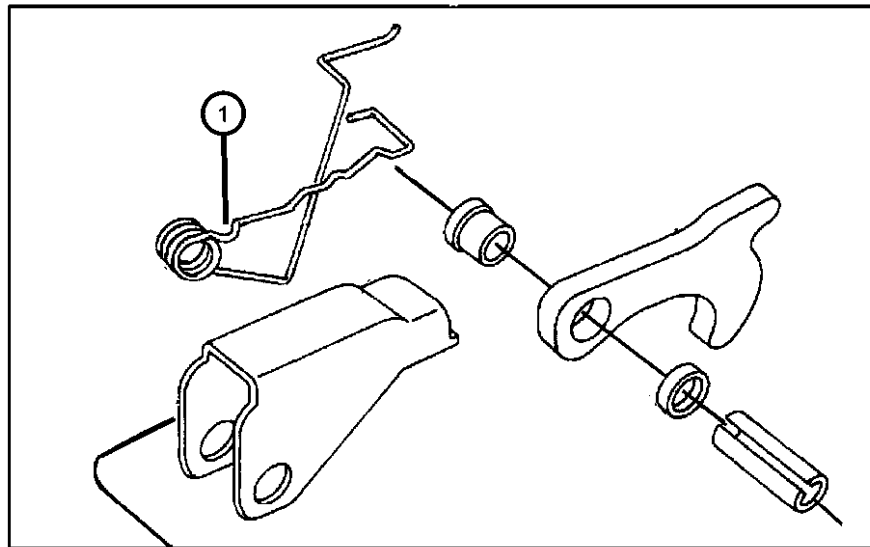
AR = use ase required - = Non illustrated part

2006 KJ

**Parking Sprag  
Figure 42RLE-750**

ITEM	PART NUMBER	QTY	LINE	SERIES	BODY	ENGINE	TRANS	TRIM	DESCRIPTION
------	-------------	-----	------	--------	------	--------	-------	------	-------------

NOTES:  
Sales Codes  
[DG6]= 4 Speed Automatic Transmission - [42RLE]



1									SPRING, Parking Sprag Return
	52852949AA	1	T				DG6		
		1	J, U				DG6		
2		1							SNAP RING, Rod, (NOT SERVICED)
-3									SCREW AND WASHER, Hex Head, M5x.8x12
	06503384	1	T				DG6		
		1	J, U				DG6		
4									SHAFT, Parking Sprag
	04431999	1	T				DG6		
		1	J, U				DG6		
-5									ROD, Parking Sprag
	04800283AA	1	J, U				DG6		
		1	T				DG6		
-6									BRACKET, Parking Sprag
	52852948AA	1	T				DG6		
		1	J, U				DG6		

**LIBERTY (KJ)**

SERIES      LINE  
H = HIGHLINE    T = JEEP - 2WD  
M = MEDIUM     J = JEEP - 4WD  
P = PREMIUM    U = JEEP - 4WD (RHD)

BODY  
74 = SPORT UTILITY 4-DR

ENGINE      TRANSMISSION  
EKG = 3.7L V6 Engine      DG6 = 4-Spd. Automatic 42RLE  
ENR = 2.8L 4 Cyl Turbo Diesel      Transmission  
Engine      DGV = 4-Spd. Automatic VLP  
ENJ = 2.5L 4 Cyl 16V Turbo      Transmission  
Diesel Engine      DGQ = 5-Spd Automatic 5-45RFE  
ED1 = 2.4L 4 Cyl DOHC 16v      Transmission  
SMPI Engine      DEH = 6-Speed Manual NSG370  
Transmission  
DDD = 5-Speed HD Manual  
Transmission  
DDK = 5-Speed HD Manual  
Transmission

AR = use ase required    - = Non illustrated part

2006 KJ



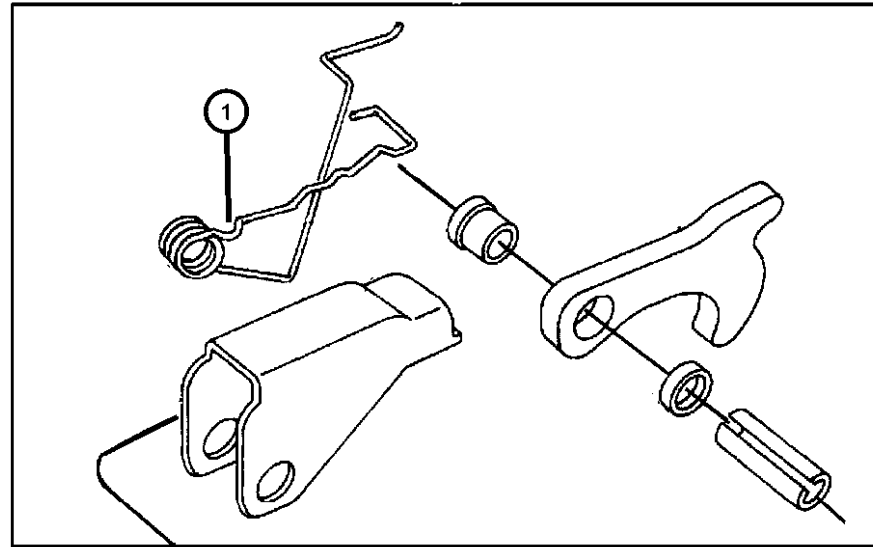
**Parking Sprag  
Figure 42RLE-760**

ITEM	PART NUMBER	QTY	LINE	SERIES	BODY	ENGINE	TRANS	TRIM	DESCRIPTION
------	-------------	-----	------	--------	------	--------	-------	------	-------------

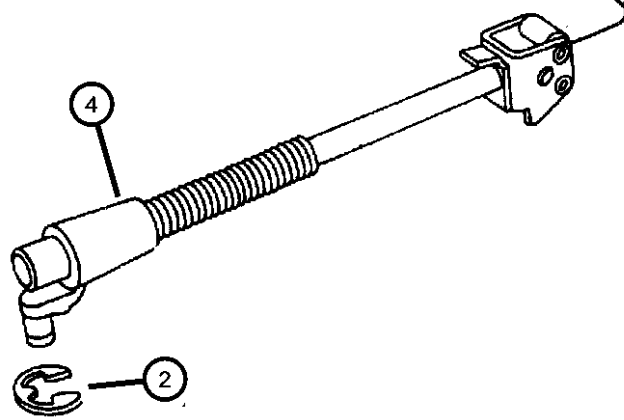
NOTES:

Sales Codes

[DGV]= 4 Speed Automatic Transmission - [42RLE / VLP]



1									SPRING, Parking Sprag Return
	52852949AA	1	T				DGV		
		1	J, U				DGV		
2		1							SNAP RING, Rod, (NOT SERVICED)
-3									SCREW AND WASHER, Hex Head, M5x.8x12
	06503384	1	J, U				DGV		
		1	T				DGV		
4									SHAFT, Parking Sprag
	04431999	1	T				DGV		
		1	J, U				DGV		
-5									ROD, Parking Sprag
	04800283AA	1	T				DGV		
		1	J, U				DGV		
-6									BRACKET, Parking Sprag
	52852948AA	1	T				DGV		
		1	J, U				DGV		



**LIBERTY (KJ)**

**SERIES**

H = HIGHLINE

M = MEDIUM

P = PREMIUM

**LINE**

T = JEEP - 2WD

J = JEEP - 4WD

U = JEEP - 4WD (RHD)

**BODY**

74 = SPORT UTILITY 4-DR

**ENGINE**

EKG = 3.7L V6 Engine

ENR = 2.8L 4 Cyl Turbo Diesel Engine

ENJ = 2.5L 4 Cyl 16V Turbo Diesel Engine

ED1 = 2.4L 4 Cyl DOHC 16v SMPI Engine

**TRANSMISSION**

DG6 = 4-Spd. Automatic 42RLE

Transmission

DGV = 4-Spd. Automatic VLP

Transmission

DGQ = 5-Spd Automatic 5-45RFE

Transmission

DEH = 6-Speed Manual NSG370

Transmission

DDD = 5-Speed HD Manual

Transmission

DDK = 5-Speed HD Manual

Transmission

AR = use ase required - = Non illustrated part

2006 KJ

**Gearshift Control**  
**Figure 42RLE-1210**

ITEM	PART NUMBER	QTY	LINE	SERIES	BODY	ENGINE	TRANS	TRIM	DESCRIPTION
------	-------------	-----	------	--------	------	--------	-------	------	-------------

NOTE:

Sales Codes:

[DGV]=4 Speed Automatic Transmission - [42RLE / VLP]

[DG6]=4 Speed Automatic Transmission - [42RLE]

[DHN]=Command-Trac Part Time [4WD] System

[DHE]=Command-Trac Part Time Heavy Duty [4WD] System

[DHP]=Select-Trac Full Time [4WD] System

[DG0]=All Automatic Transmissions

1									HOUSING AND LEVER, Shifter
	52109779AC	1	J, T				DG0		
	52109780AC	1	U				DG0		
2	06104725AA	4							NUT AND WASHER, M6x1
3	06502726	2							NUT
4	52109781AA	1					DG0		CABLE, Gearshift Control
5	52104319AC	1					DG0		CABLE, Gearshift Lock
6	52128867AA	1					DG6, DGV		BRACKET, Shift Cable
7	06101758	2					DGQ		SCREW, Hex Head, M8x1.25x20
8	52109749AB	1				EK0	DG6, DGV		LEVER, Manual Control
9	06506676AA	1				EK0	DG6, DGV		NUT & WASHER, M8x1.25
10	06506676AA	1							SCREW, M8-1.25, (NOT SERVICED)
11	06101752	3	J, U				DG0		SCREW AND WASHER, Hex Head, M10x1.5x28
12	52128954AB	1	J, U				DG6, DGV		BRACKET, Shifter
13									SHIFTER, Transfer Case
	52128999AG	1	J, U						With [DHN & Or DHE]
	52129243AF	1	J, U						With [DHP]

LIBERTY (KJ)

SERIES

H = HIGHLINE

M = MEDIUM

P = PREMIUM

LINE

T = JEEP - 2WD

J = JEEP - 4WD

U = JEEP - 4WD (RHD)

BODY

74 = SPORT UTILITY 4-DR

ENGINE

EKG = 3.7L V6 Engine

ENR = 2.8L 4 Cyl Turbo Diesel Engine

ENJ = 2.5L 4 Cyl 16V Turbo Diesel Engine

ED1 = 2.4L 4 Cyl DOHC 16V SMPI Engine

TRANSMISSION

DG6 = 4-Spd. Automatic 42RLE Transmission

DGV = 4-Spd. Automatic VLP Transmission

DGQ = 5-Spd Automatic 5-45RFE Transmission

DEH = 6-Speed Manual NSG370 Transmission

DDD = 5-Speed HD Manual Transmission

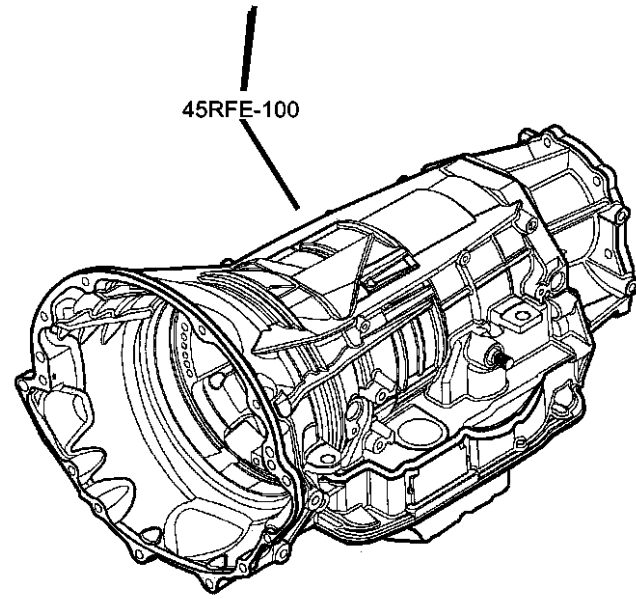
DDK = 5-Speed HD Manual Transmission

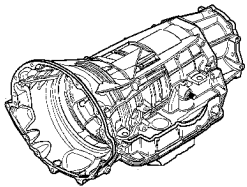
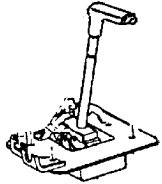
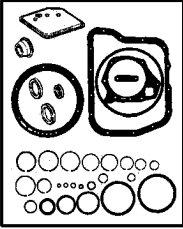
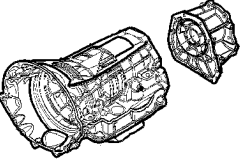
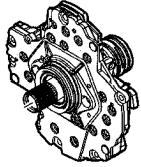
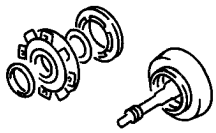
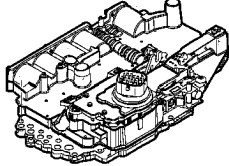
AR = use ase required - = Non illustrated part

2006 KJ

# Group - 5-45RFE

## Automatic Transmission Multi-Speed



<p><b>5-45RFE-100</b> Transmission Assembly</p> 	<p><b>5-45RFE-1200</b> Gearshift Controls</p> 	<p><b>5-45RFE-1300</b> Seal and Shim Packages</p> 	<p><b>5-45RFE-200</b> Case and Extension</p> 
<p><b>5-45RFE-300</b> Oil Pump</p> 	<p><b>5-45RFE-400</b> Gear Train</p> 	<p><b>5-45RFE-700</b> Valve Body</p> 	

---

## Group - 5-45RFE Automatic Transmission Multi-Speed

Illustration Title	Group-Fig. No.
<b>Transmission Assembly</b>	
Transmission Assembly .....	Fig. 5-45RFE - 110
Transmission Mounting .....	Fig. 5-45RFE - 120
<b>Case and Extension</b>	
Adapter.....	Fig. 5-45RFE - 210
Transmission Case & Related Parts .....	Fig. 5-45RFE - 220
<b>Oil Pump</b>	
Pump, Oil .....	Fig. 5-45RFE - 310
<b>Gear Train</b>	
Input Shaft .....	Fig. 5-45RFE - 410
Underdrive .....	Fig. 5-45RFE - 420
Overdrive .....	Fig. 5-45RFE - 430
2 / 4 Clutch Retainer .....	Fig. 5-45RFE - 440
Input / Reverse Planetary.....	Fig. 5-45RFE - 450
Reaction Annulus / Sun Gear .....	Fig. 5-45RFE - 460
Low / Reverse Clutch .....	Fig. 5-45RFE - 470
<b>Valve Body</b>	
Valve Body.....	Fig. 5-45RFE - 710
Parking Sprag .....	Fig. 5-45RFE - 720
<b>Gearshift Controls</b>	
Shifter Control .....	Fig. 5-45RFE - 1210
Manual Control Lever .....	Fig. 5-45RFE - 1220
<b>Seal and Shim Packages</b>	
L / R Clutch Package .....	Fig. 5-45RFE - 1310
Input Clutch Plate Package.....	Fig. 5-45RFE - 1320
Overhaul / Seal & Gasket Package.....	Fig. 5-45RFE - 1330
Input Clutch Package .....	Fig. 5-45RFE - 1340
Planetary Plate Package .....	Fig. 5-45RFE - 1350
2 & 4 Clutch Package .....	Fig. 5-45RFE - 1360

**Transmission Assembly  
Figure 5-45RFE-110**

ITEM	PART NUMBER	QTY	LINE	SERIES	BODY	ENGINE	TRANS	TRIM	DESCRIPTION
------	-------------	-----	------	--------	------	--------	-------	------	-------------

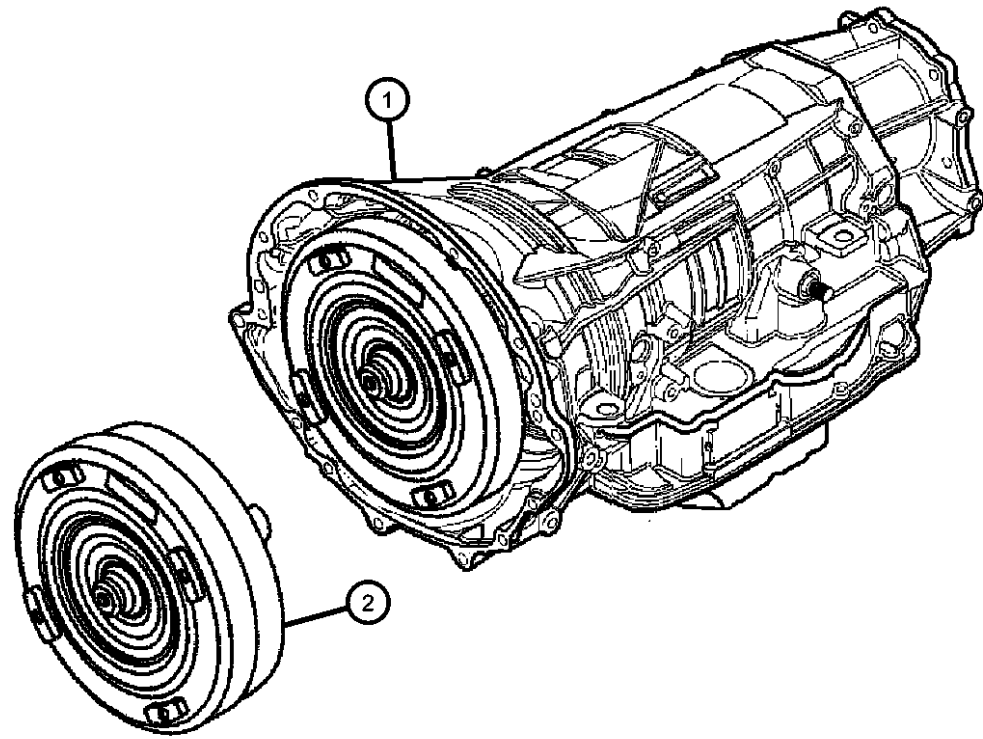
NOTE:

Sales Codes:

[DGQ]=5 Speed Automatic Transmission - [5-45RFE]

[EN0]=All 4/5 Cyl. Turbo Diesel Engines

1	05143976AB	1	U, J			EN0	DGQ		TRANSMISSION KIT, Automatic, With Stamp # [52119462AD]
2	05175969AB	1	J, U			EN0	DGQ		CONVERTER PACKAGE, Torque
3	01949765	4					DGQ		SCREW, Hex Head Header Point, .312-24x.44



**LIBERTY (KJ)**

SERIES	LINE
H = HIGHLINE	T = JEEP - 2WD
M = MEDIUM	J = JEEP - 4WD
P = PREMIUM	U = JEEP - 4WD (RHD)

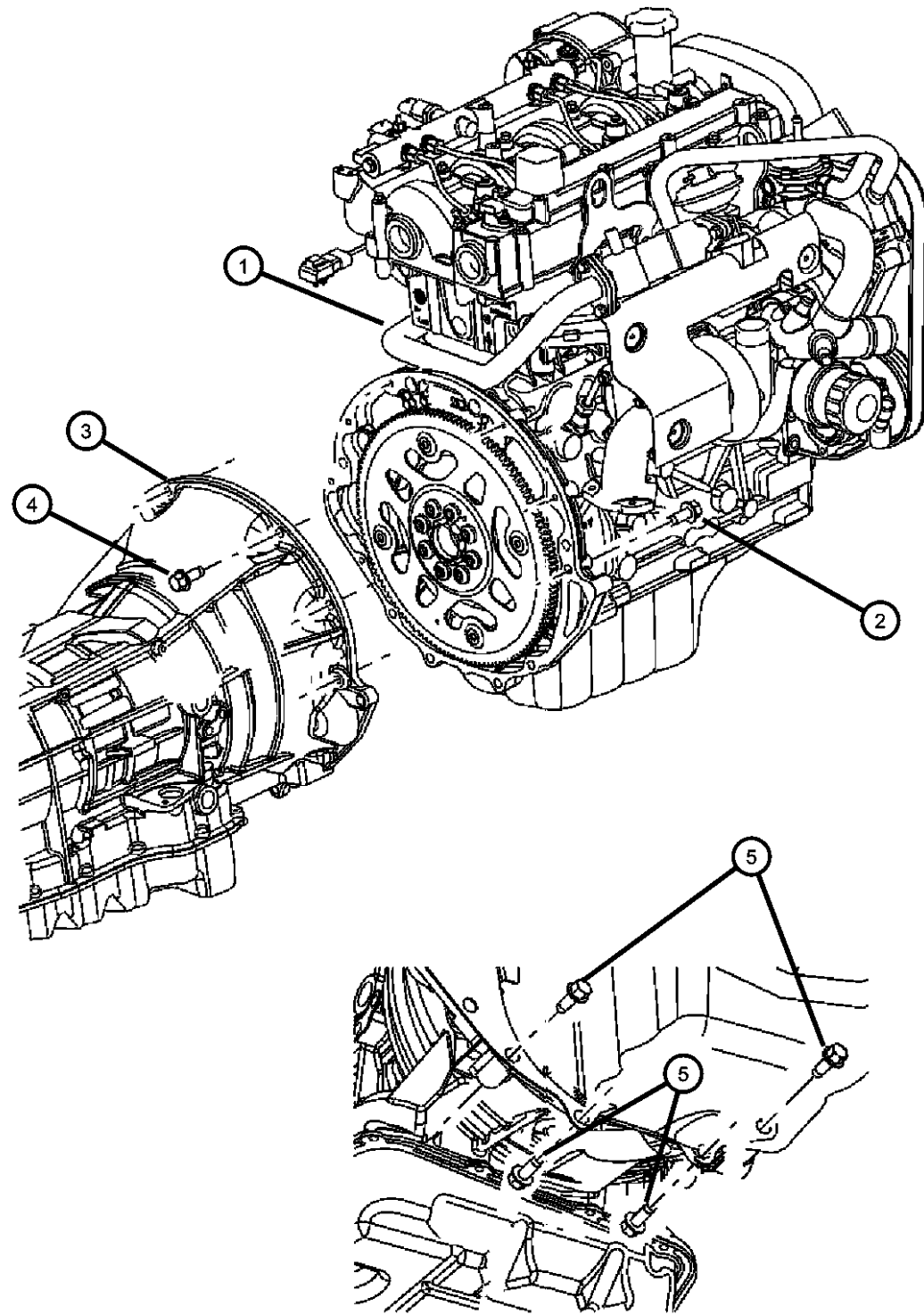
BODY
74 = SPORT UTILITY 4-DR

ENGINE	TRANSMISSION
EKG = 3.7L V6 Engine	DG6 = 4-Spd. Automatic 42RLE
ENR = 2.8L 4 Cyl Turbo Diesel Engine	Transmission
ENJ = 2.5L 4 Cyl 16V Turbo Diesel Engine	DGV = 4-Spd. Automatic VLP
ED1 = 2.4L 4 Cyl DOHC 16v SMPI Engine	Transmission
	DGQ = 5-Spd Automatic 5-45RFE
	Transmission
	DEH = 6-Speed Manual NSG370
	Transmission
	DDD = 5-Speed HD Manual
	Transmission
	DDK = 5-Speed HD Manual
	Transmission

AR = use ase required - = Non illustrated part

2006 KJ

**Transmission Mounting  
Figure 5-45RFE-120**



ITEM	PART NUMBER	QTY	LINE	SERIES	BODY	ENGINE	TRANS	TRIM	DESCRIPTION
------	-------------	-----	------	--------	------	--------	-------	------	-------------

NOTE:  
Sales Codes:  
[DGQ]=5 Speed Automatic Transmission - [5-45RFE]  
[ENO]=All 4/5 Cyl. Turbo Diesel Engines

1	01949765	4							ENGINE, Complete, Diesel. See Engine Group, (NOT SERVICED)
2	00154877AA	1				EN0	DGQ		SCREW AND WASHER, Hex Head
3	00154877AA	1							TRANSMISSION, See Illustration [110], (NOT SERVICED)
4	06022266	6				EN0	DGQ		SCREW, Hex Head, .375-16x1.5
5	06102026	4				EN0	DGQ		SCREW

<b>LIBERTY (KJ)</b>				
SERIES	LINE	BODY	ENGINE	TRANSMISSION
H = HIGHLINE	T = JEEP - 2WD	74 = SPORT UTILITY 4-DR	EKG = 3.7L V6 Engine	DG6 = 4-Spd. Automatic 42RLE
M = MEDIUM	J = JEEP - 4WD		ENR = 2.8L 4 Cyl Turbo Diesel Engine	Transmission
P = PREMIUM	U = JEEP - 4WD (RHD)		ENJ = 2.5L 4 Cyl 16V Turbo Diesel Engine	DGV = 4-Spd. Automatic VLP
			ED1 = 2.4L 4 Cyl DOHC 16v SMPI Engine	Transmission
				DGQ = 5-Spd Automatic 5-45RFE
				Transmission
				DEH = 6-Speed Manual NSG370
				Transmission
				DDD = 5-Speed HD Manual
				Transmission
				DDK = 5-Speed HD Manual
				Transmission

AR = use ase required - = Non illustrated part

2006 KJ

**Adapter  
Figure 5-45RFE-210**

ITEM	PART NUMBER	QTY	LINE	SERIES	BODY	ENGINE	TRANS	TRIM	DESCRIPTION
------	-------------	-----	------	--------	------	--------	-------	------	-------------

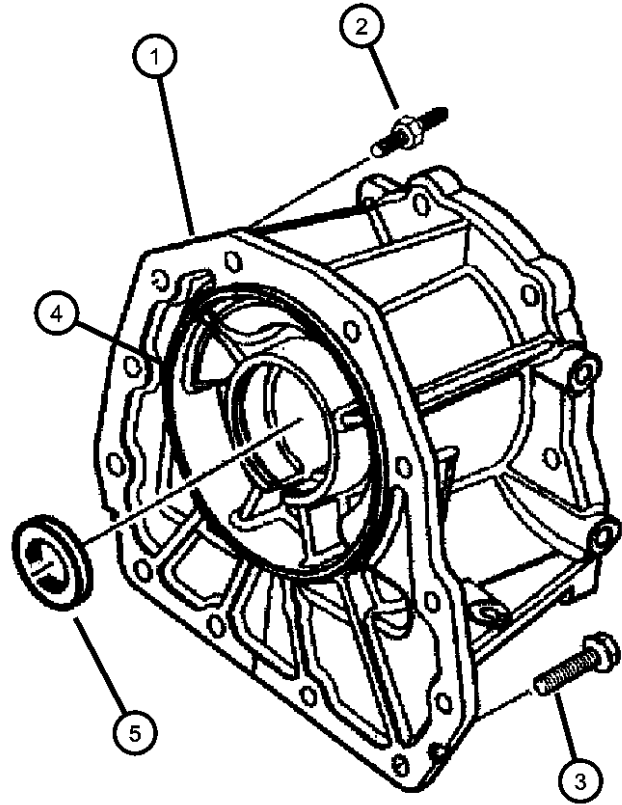
NOTE:

Sales Codes:

[DGQ]=5 Speed Automatic Transmission - [5-45RFE]

[EN0]=All 4/5 Cyl. Turbo Diesel Engines

1	52104357AC	1	J, U			EN0	DGQ		ADAPTER, Transfer Case
2	06505064AA	2	J, U			EN0	DGQ		STUD, M10x1.5x62
3	06504774	10	J, U			EN0	DGQ		SCREW AND WASHER, Hex Head, M10x1.5x37
4	04799090	1	J, U			EN0	DGQ		SEAL, Input, O-Ring, Adapter To Transmission Case
5	52119498AA	1	J, U			EN0	DGQ		SEAL, Adapter



**LIBERTY (KJ)**

SERIES	LINE
H = HIGHLINE	T = JEEP - 2WD
M = MEDIUM	J = JEEP - 4WD
P = PREMIUM	U = JEEP - 4WD (RHD)

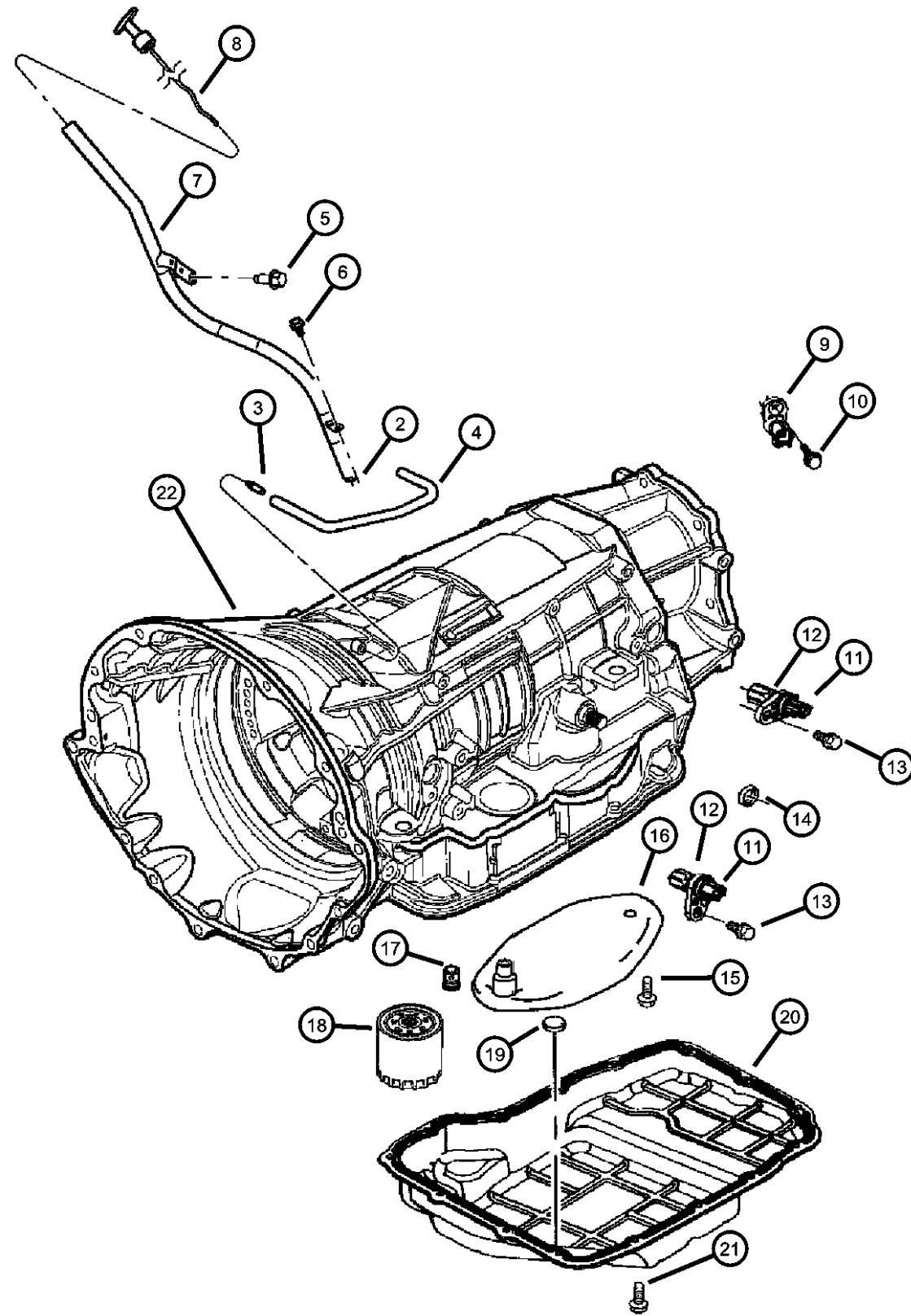
BODY
74 = SPORT UTILITY 4-DR

ENGINE	TRANSMISSION
EKG = 3.7L V6 Engine	DG6 = 4-Spd. Automatic 42RLE
ENR = 2.8L 4 Cyl Turbo Diesel Engine	Transmission
ENJ = 2.5L 4 Cyl 16V Turbo Diesel Engine	DGV = 4-Spd. Automatic VLP
ED1 = 2.4L 4 Cyl DOHC 16v SMPI Engine	Transmission
	DGQ = 5-Spd Automatic 5-45RFE
	Transmission
	DEH = 6-Speed Manual NSG370
	Transmission
	DDD = 5-Speed HD Manual
	Transmission
	DDK = 5-Speed HD Manual
	Transmission

AR = use ase required - = Non illustrated part

2006 KJ

**Transmission Case & Related Parts  
Figure 5-45RFE-220**



ITEM	PART NUMBER	QTY	LINE	SERIES	BODY	ENGINE	TRANS	TRIM	DESCRIPTION
------	-------------	-----	------	--------	------	--------	-------	------	-------------

NOTE:  
Sales Codes:  
[DGQ]=5 Speed Automatic Transmission - [5-45RFE]  
[EN0]=All 4/5 Cyl. Turbo Diesel Engines

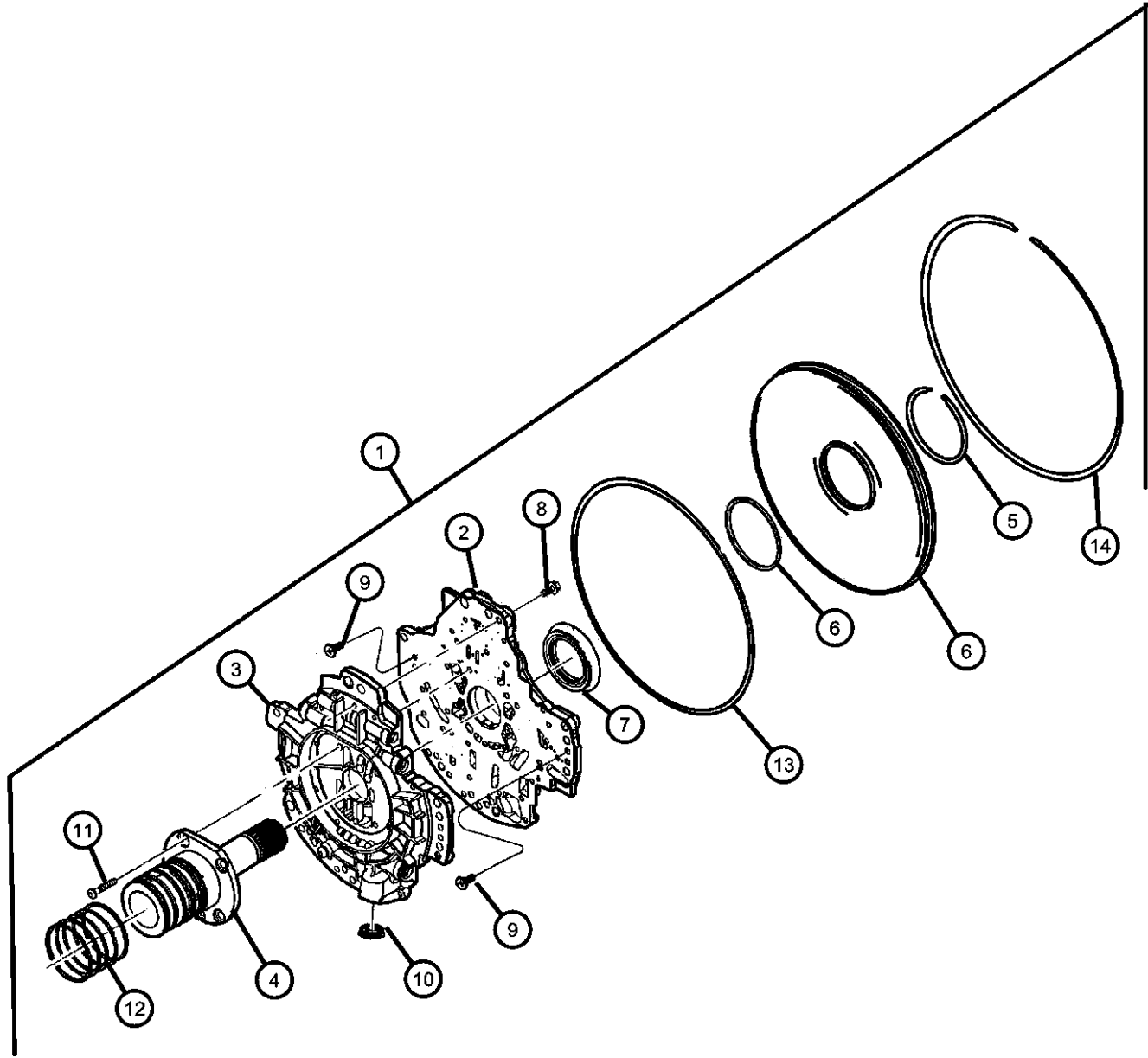
-1	05014221AJ	1	J, U			EN0	DGQ		OVERHAUL PACKAGE, Transmission
2	04810021	1	J, U			EN0	DGQ		GROMMET
3	04799861AB	1	J, U			EN0	DGQ		VENT, Transmission
4	53032457AA	1					DGQ		TUBE, Vent
5	06022266	1	J, U			EN0	DGQ		SCREW, Hex Head, .375-16x1.5
6	06501979	1					DG0		SCREW AND WASHER, Hex Head, M6x1x17
7	53013497AC	1				EN0	DG0		TUBE, Transmission Oil Filler
8	53013719AA	1					DGQ		INDICATOR, Transmission Fluid Level
9	04799758	1	J, U			EN0	DGQ		TRANSDUCER, Pressure Sensor, Line Pressure
10	06101331	1	J, U			EN0	DGQ		BOLT, M6x1.00x20, Line Pressure Sensor
11	04799061AB	2	J, U			EN0	DGQ		SENSOR, Transmission Input Speed
12	04799062	2	J, U			EN0	DGQ		O RING
13	06101331	2	J, U			EN0	DGQ		BOLT, M6x1.00x20
14	04799346	1	J, U			EN0	DGQ		SEAL, Manual Lever Shaft
15	06503232	1	J, U			EN0	DGQ		SCREW, Pan Head, M5 x 0.8 x 12.60, Oil Filter To Transfer Plate
16	05013470AC	1	J, U			EN0	DGQ		FILTER PACKAGE, Transmission Oil
17	04799681	1	J, U			EN0	DGQ		VALVE, Flow Control
18	04799662AB	1	J, U			EN0	DGQ		FILTER, Transmission Oil
19	04446728	1	J, U			EN0	DGQ		MAGNET, Transmission
20	05013681AA	1	J, U			EN0	DGQ		PAN, Transmission Oil
21	06101221	15	J, U			EN0	DGQ		SCREW AND WASHER, Hex Head, M6x1x12
22	04799613AB	1	J, U			EN0	DGQ		CASE, Transmission

LIBERTY (KJ)		BODY	ENGINE	TRANSMISSION
SERIES	LINE			
H = HIGHLINE	T = JEEP - 2WD	74 = SPORT UTILITY 4-DR	EKG = 3.7L V6 Engine	DG6 = 4-Spd. Automatic 42RLE Transmission
M = MEDIUM	J = JEEP - 4WD		ENR = 2.8L 4 Cyl Turbo Diesel Engine	DGV = 4-Spd. Automatic VLP Transmission
P = PREMIUM	U = JEEP - 4WD (RHD)		ENJ = 2.5L 4 Cyl 16V Turbo Diesel Engine	DGQ = 5-Spd Automatic 5-45RFE Transmission
			ED1 = 2.4L 4 Cyl DOHC 16v SMPI Engine	DEH = 6-Speed Manual NSG370 Transmission
				DDD = 5-Speed HD Manual Transmission
				DDK = 5-Speed HD Manual Transmission

AR = use ase required - = Non illustrated part



**Pump, Oil**  
**Figure 5-45RFE-310**



ITEM	PART NUMBER	QTY	LINE	SERIES	BODY	ENGINE	TRANS	TRIM	DESCRIPTION
------	-------------	-----	------	--------	------	--------	-------	------	-------------

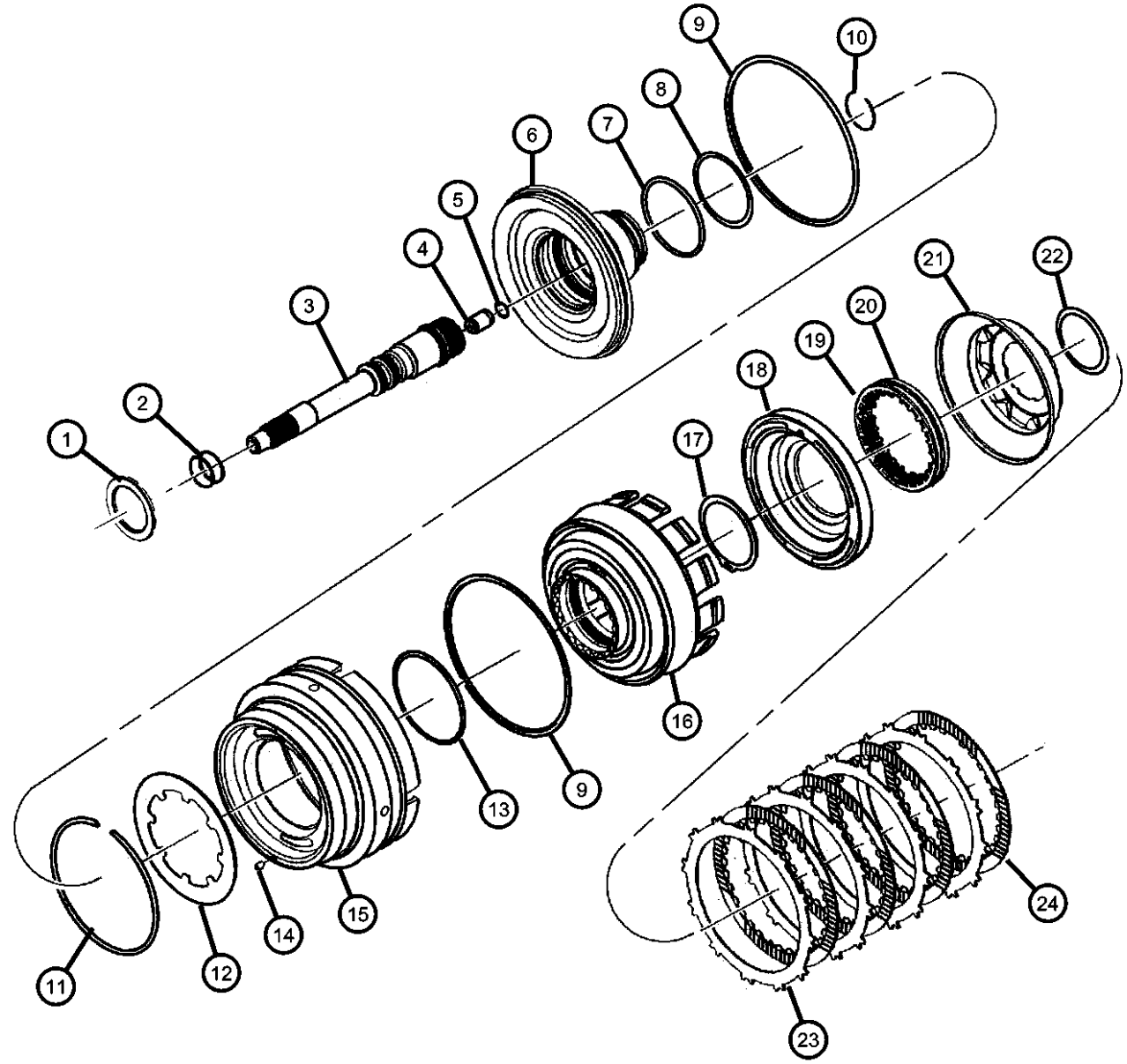
NOTE:  
Sales Codes:  
[DGQ]=5 Speed Automatic Transmission - [5-45RFE]  
[EN0]=All 4 Cylinder Turbo Diesel Engines

1	05073004AD	1	J, U			EN0	DGQ		PUMP PACKAGE, Transmission
2	05073004AD	1							HOUSING, Pump, (NOT SERVICED)
3	05073004AD	1							BODY, Oil Pump Valve, (NOT SERVICED)
4	05073004AD	1							SUPPORT, Reaction Shaft, (NOT SERVICED)
5	04799082	1	J, U			EN0	DGQ		SNAP RING, Transmission
6	04799609	1	J, U			EN0	DGQ		COVER, Oil Pump
7	04617919	1	J, U			EN0	DGQ		SEAL, Transmission Oil Pump
8	06500215	24	T				DG6		SCREW AND WASHER, Pan Head, M5x.8x25
9	06503232	1	J, U			EN0	DGQ		SCREW, Pan Head, M5 x 0.8 x 12.60
10	04799964AB	1	J, U			EN0	DGQ		SEAL, Oil Pump
11	06504661	5	J, U			EN0	DGQ		SCREW, Button Head
12	04799056	5	J, U			EN0	DGQ		RING, Transmission
13	04799003	1	J, U			EN0	DGQ		O RING, Oil Pump, .
14	04799005	1	J, U			EN0	DGQ		SNAP RING, Transmission
-15	04736547	1	J, U			EN0	DGQ		SEAL, Torque Converter Hub

<b>LIBERTY (KJ)</b>				
SERIES	LINE	BODY	ENGINE	TRANSMISSION
H = HIGHLINE	T = JEEP - 2WD	74 = SPORT UTILITY 4-DR	EKG = 3.7L V6 Engine	DG6 = 4-Spd. Automatic 42RLE
M = MEDIUM	J = JEEP - 4WD		ENR = 2.8L 4 Cyl Turbo Diesel Engine	Transmission
P = PREMIUM	U = JEEP - 4WD (RHD)		ENJ = 2.5L 4 Cyl 16V Turbo Diesel Engine	DGV = 4-Spd. Automatic VLP
			ED1 = 2.4L 4 Cyl DOHC 16v SMPI Engine	Transmission
				DGQ = 5-Spd Automatic 5-45RFE
				Transmission
				DEH = 6-Speed Manual NSG370
				Transmission
				DDD = 5-Speed HD Manual
				Transmission
				DDK = 5-Speed HD Manual
				Transmission

AR = use ase required - = Non illustrated part

**Input Shaft  
Figure 5-45RFE-410**



ITEM	PART NUMBER	QTY	LINE	SERIES	BODY	ENGINE	TRANS	TRIM	DESCRIPTION
------	-------------	-----	------	--------	------	--------	-------	------	-------------

NOTE:  
Sales Codes:  
[DGQ]=5 Speed Automatic Transmission - [5-45RFE]  
[EN0]=All 4/5 Cylinder Turbo Diesel Engines

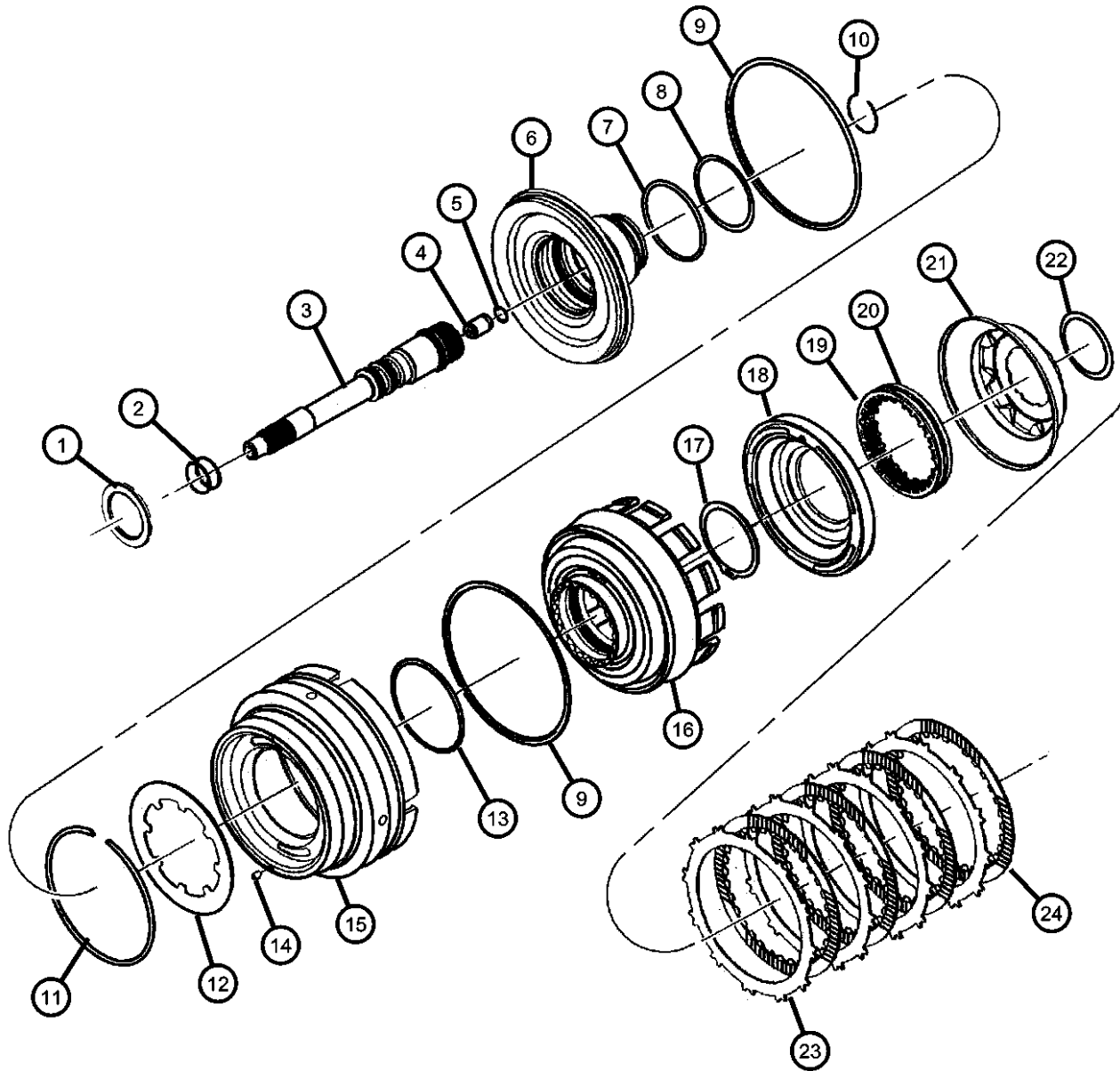
1	04799469	1	J, U			EN0	DGQ		THRUST BEARING, Needle Roller
2	04799539	2	J, U			EN0	DGQ		SEAL, Input Shaft, PKG 05013090AA
3	05114582AA	1	J, U			EN0	DGQ		SHAFT, Input
4	04799974AA	1	J, U			EN0	DGQ		CHECK VALVE, Transmission
5	04799978AA	1	J, U			EN0	DGQ		SNAP RING
6	04799536AC	1	J, U			EN0	DGQ		HUB, Input Clutch
7	04799073	1	J, U			EN0	DGQ		O RING, Transmission Clutch, PKG 05013090AA
8									O RING, Transmission Clutch, PKG 05013090AA
	04799073	1	J, U			EN0	DGQ		Input Clutch Large
	04799755	1	J, U			EN0	DGQ		Input Clutch Small
9	04799090	1	J, U			EN0	DGQ		SEAL, Input, PKG 05013090AA
10	04799538	1	J, U			EN0	DGQ		SNAP RING, Input Shaft
11	04799088	1	J, U			EN0	DGQ		SNAP RING, Transmission
12	04799087	1	J, U			EN0	DGQ		SPRING, Piston Return
13	04799089	1	J, U			EN0	DGQ		O RING, Reverse & O/Drive Clutch Piston, Transmission, PKG 05013090AA
14	04531903	1	J, U			EN0	DGQ		FILTER, Reverse And O/D Clutch
15	05073525AA	1	J, U			EN0	DGQ		PISTON, Reverse and Overdrive
16	04799648	1	J, U			EN0	DGQ		RETAINER, Transmission Input Clutch
17	04799247	1	J, U			EN0	DGQ		SNAP RING
18	04799650	1	J, U			EN0	DGQ		PISTON, Underdrive
19	04746155	1	J, U						BEARING, Input Gear
20	04799101	1	J, U			EN0	DGQ		SPRING, Undredrive Piston, PKG 05013090AA
21	04799652	1	J, U			EN0	DGQ		PISTON, Underdrive

<b>LIBERTY (KJ)</b>				
SERIES	LINE	BODY	ENGINE	TRANSMISSION
H = HIGHLINE	T = JEEP - 2WD	74 = SPORT UTILITY 4-DR	EKG = 3.7L V6 Engine	DG6 = 4-Spd. Automatic 42RLE Transmission
M = MEDIUM	J = JEEP - 4WD		ENR = 2.8L 4 Cyl Turbo Diesel Engine	DGV = 4-Spd. Automatic VLP Transmission
P = PREMIUM	U = JEEP - 4WD (RHD)		ENJ = 2.5L 4 Cyl 16V Turbo Diesel Engine	DGQ = 5-Spd Automatic 5-45RFE Transmission
			ED1 = 2.4L 4 Cyl DOHC 16v SMPI Engine	DEH = 6-Speed Manual NSG370 Transmission
				DDD = 5-Speed HD Manual Transmission
				DDK = 5-Speed HD Manual Transmission

AR = use ase required - = Non illustrated part

**Input Shaft  
Figure 5-45RFE-410**

ITEM	PART NUMBER	QTY	LINE	SERIES	BODY	ENGINE	TRANS	TRIM	DESCRIPTION
22	04799103	1	J, U			EN0	DGQ		SNAP RING, Transmission, PKG 05013090AA
23	04799103	1							PLATE, PKG 05013090AA, (NOT SERVICED)
24	04799103	1							DISC, Clutch, PKG 05013090AA, (NOT SERVICED)
-25	04799097	1	J, U			EN0	DGQ		SNAP RING



**LIBERTY (KJ)**

SERIES      LINE  
H = HIGHLINE    T = JEEP - 2WD  
M = MEDIUM     J = JEEP - 4WD  
P = PREMIUM    U = JEEP - 4WD (RHD)

BODY  
74 = SPORT UTILITY 4-DR

ENGINE      TRANSMISSION  
EKG = 3.7L V6 Engine      DG6 = 4-Spd. Automatic 42RLE  
ENR = 2.8L 4 Cyl Turbo Diesel Engine      DG7 = 4-Spd. Automatic VLP  
ENJ = 2.5L 4 Cyl 16V Turbo Diesel Engine      DGQ = 5-Spd Automatic 5-45RFE  
ED1 = 2.4L 4 Cyl DOHC 16v SMPI Engine      DEH = 6-Speed Manual NSG370  
Transmission  
DDD = 5-Speed HD Manual Transmission  
DDK = 5-Speed HD Manual Transmission

AR = use ase required    - = Non illustrated part

2006 KJ

**Underdrive  
Figure 5-45RFE-420**

ITEM	PART NUMBER	QTY	LINE	SERIES	BODY	ENGINE	TRANS	TRIM	DESCRIPTION
------	-------------	-----	------	--------	------	--------	-------	------	-------------

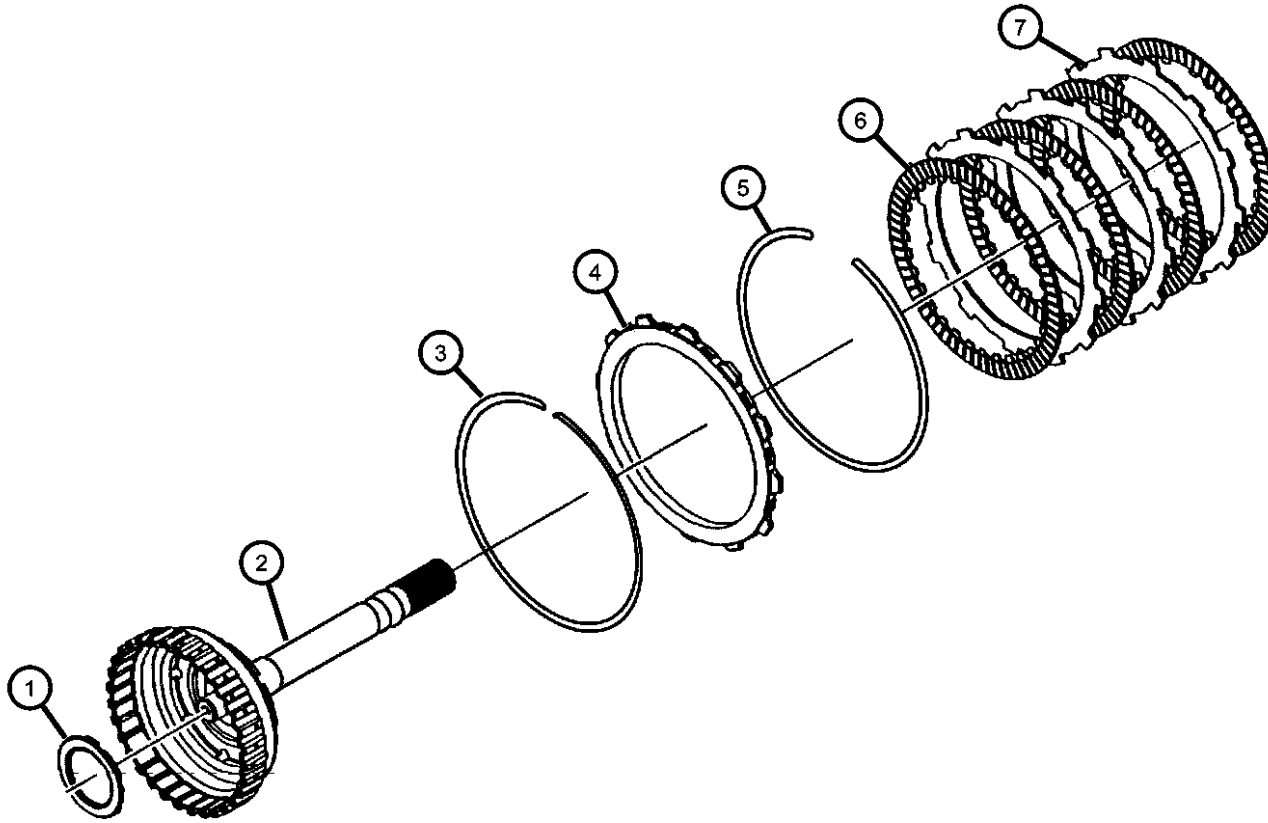
NOTE:

Sales Codes:

[DGQ]=5 Speed Automatic Transmission - [5-45RFE]

[EN0]=All 4/5 Cylinder Turbo Diesel Engines

1	04799469	1	J, U			EN0	DGQ		THRUST BEARING, Needle Roller
2	05127485AA	AR	J, U			EN0	DGQ		HUB AND SHAFT, Underdrive Clutch
3	04799760	1	J, U			EN0	DGQ		SNAP RING, Transmission
4	04799108AD	AR	J, U			EN0	DGQ		PLATE, Transmission Clutch Reaction
5	04799108AD	AR							SNAP RING, Serviced In Pkg. (05013090AA), (NOT SERVICED)
6	04799108AD	AR							DISC, Clutch, Serviced In Pkg. (05013090AA), (NOT SERVICED)
7	04799108AD	AR							PLATE, Serviced In Pkg. (05013090AA), (NOT SERVICED)
-8	04799667	1	J, U			EN0	DGQ		PLATE, Transmission Clutch Reaction
-9	04799687AB	1	J, U			EN0	DGQ		PLATE, Transmission Clutch Reaction



**LIBERTY (KJ)**

SERIES      LINE  
H = HIGHLINE    T = JEEP - 2WD  
M = MEDIUM     J = JEEP - 4WD  
P = PREMIUM    U = JEEP - 4WD (RHD)

BODY  
74 = SPORT UTILITY 4-DR

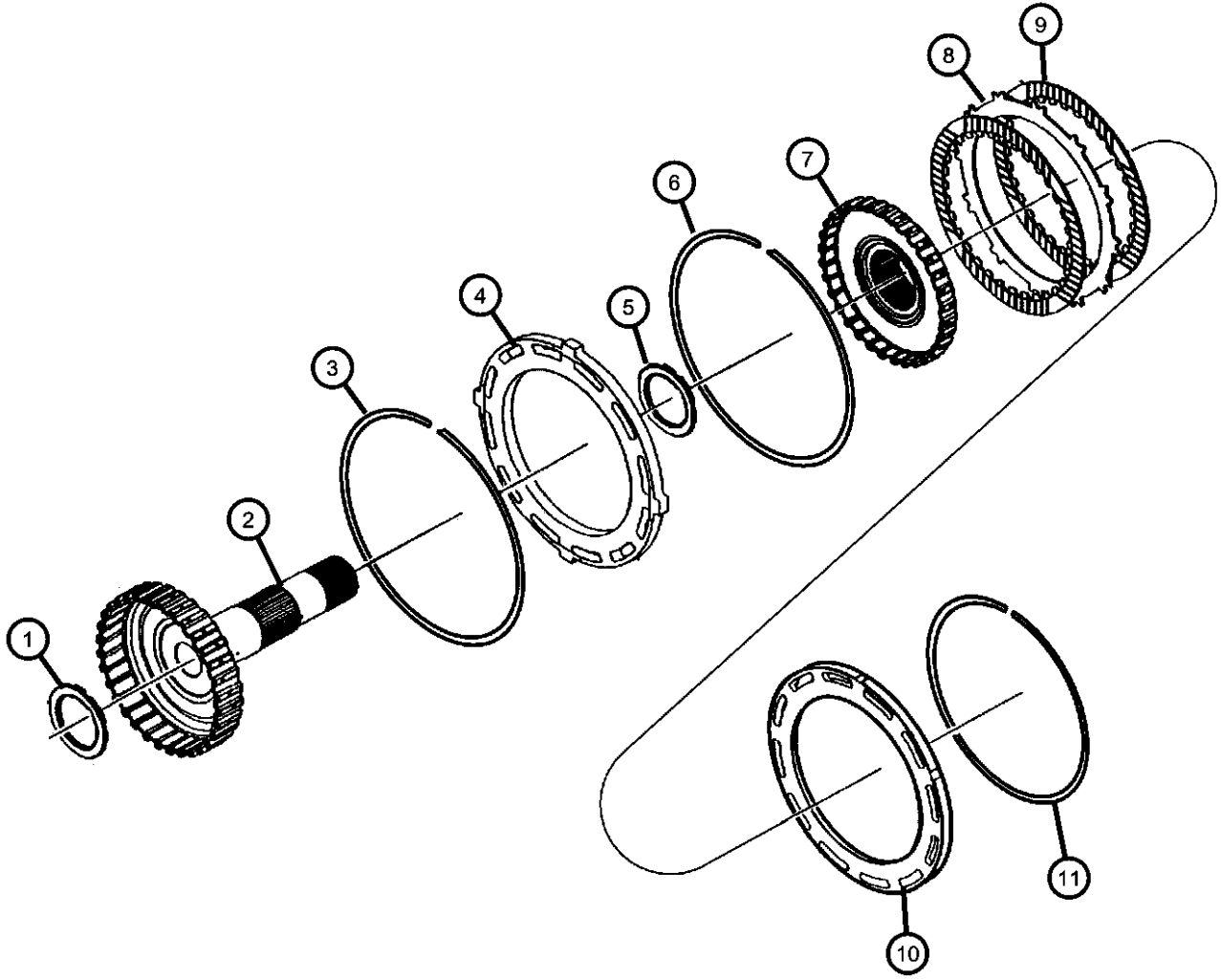
ENGINE      TRANSMISSION  
EKG = 3.7L V6 Engine      DG6 = 4-Spd. Automatic 42RLE  
ENR = 2.8L 4 Cyl Turbo Diesel Engine      Transmission  
ENJ = 2.5L 4 Cyl 16V Turbo Diesel Engine      DGV = 4-Spd. Automatic VLP  
ED1 = 2.4L 4 Cyl DOHC 16v SMPI Engine      Transmission  
DGQ = 5-Spd Automatic 5-45RFE  
Transmission  
DEH = 6-Speed Manual NSG370  
Transmission  
DDD = 5-Speed HD Manual  
Transmission  
DDK = 5-Speed HD Manual  
Transmission

AR = use ase required    - = Non illustrated part

2006 KJ

**Overdrive  
Figure 5-45RFE-430**

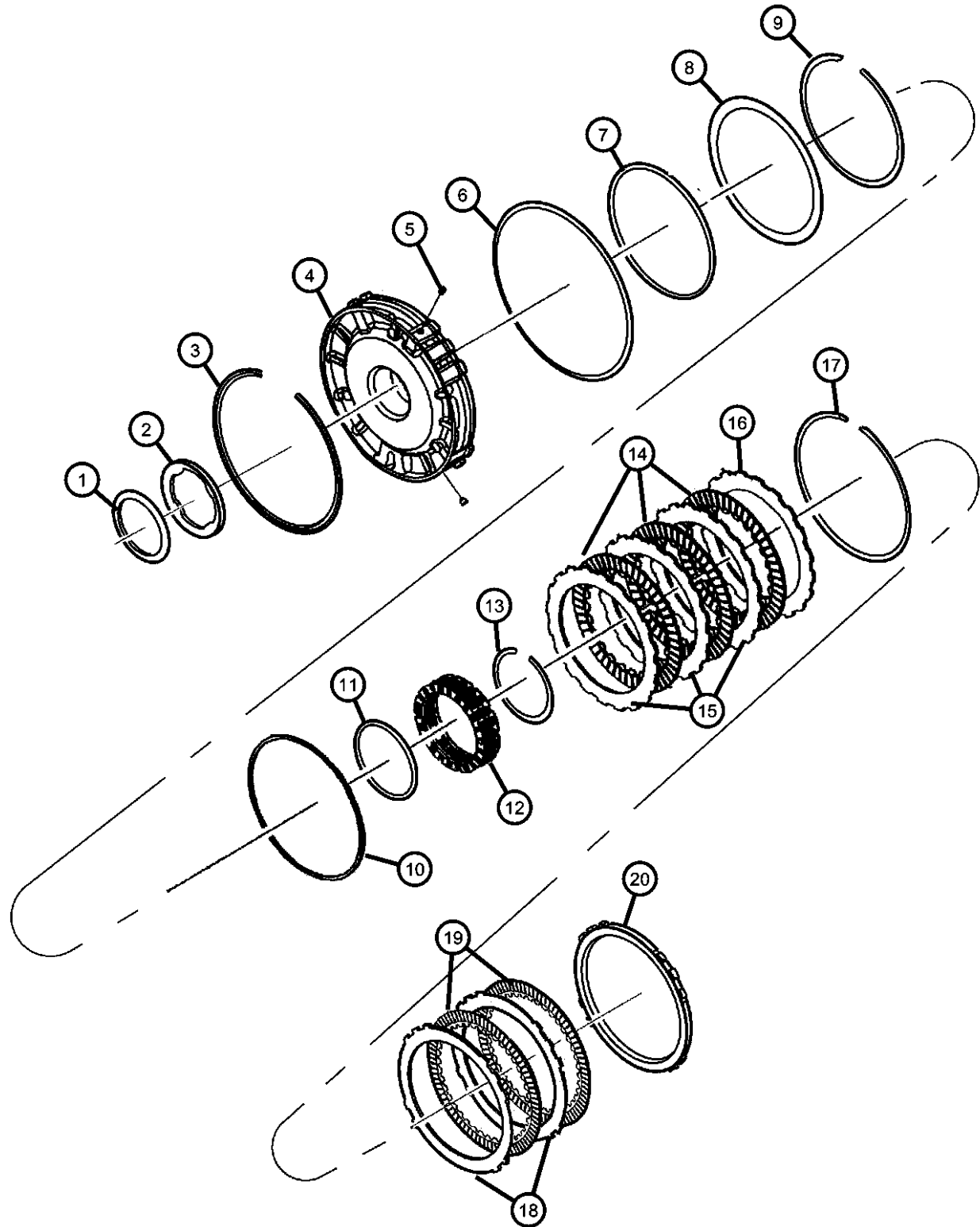
ITEM	PART NUMBER	QTY	LINE	SERIES	BODY	ENGINE	TRANS	TRIM	DESCRIPTION
NOTE: Sales Codes: [DGQ]=5 Speed Automatic Transmission - [5-45RFE] [EN0]=All 4/5 Cylinder Turbo Diesel Engines									
1	04799469	1	J, U			EN0	DGQ		THRUST BEARING, Needle Roller
2	04799550	1	J, U			EN0	DGQ		HUB AND SHAFT, Overdrive Clutch
3	04799118	1	J, U			EN0	DGQ		SNAP RING, Overdrive Clutch
4	04799116AB	1	J, U			EN0	DGQ		PLATE, Clutch Pressure
5	04799469	1	J, U			EN0	DGQ		THRUST BEARING, Needle Roller
6	04799117	1	J, U			EN0	DGQ		SNAP RING, Transmission
7	04799556	1	J, U			EN0	DGQ		HUB AND SHAFT, Reverse Clutch
8	04799556	1							PLATE, PKG 05013090AA, (NOT SERVICED)
9	04799556	1							DISC, Clutch, PKG 05013090AA, (NOT SERVICED)
10	04799121	1	J, U			EN0	DGQ		PLATE, Transmission Clutch Reaction
11	04799121	1							SNAP RING, PKG 05013090AA, (NOT SERVICED)



<b>LIBERTY (KJ)</b>				
SERIES	LINE	BODY	ENGINE	TRANSMISSION
H = HIGHLINE	T = JEEP - 2WD	74 = SPORT UTILITY 4-DR	EKG = 3.7L V6 Engine	DG6 = 4-Spd. Automatic 42RLE
M = MEDIUM	J = JEEP - 4WD		ENR = 2.8L 4 Cyl Turbo Diesel Engine	Transmission
P = PREMIUM	U = JEEP - 4WD (RHD)		ENJ = 2.5L 4 Cyl 16V Turbo Diesel Engine	DGV = 4-Spd. Automatic VLP
			ED1 = 2.4L 4 Cyl DOHC 16v SMPI Engine	Transmission
				DGQ = 5-Spd Automatic 5-45RFE
				Transmission
				DEH = 6-Speed Manual NSG370
				Transmission
				DDD = 5-Speed HD Manual
				Transmission
				DDK = 5-Speed HD Manual
				Transmission

AR = use ase required - = Non illustrated part

2 / 4 Clutch Retainer  
Figure 5-45RFE-440



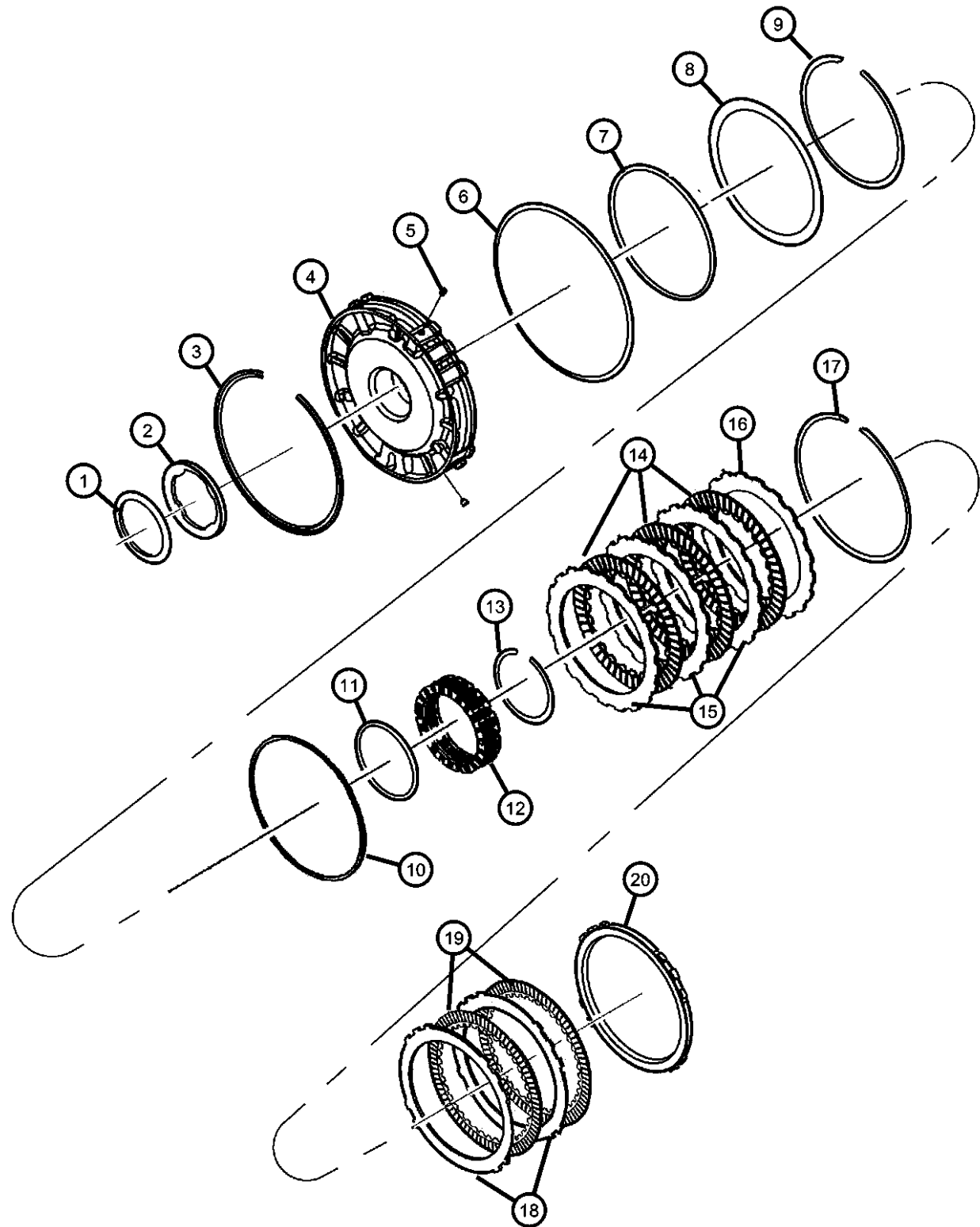
ITEM	PART NUMBER	QTY	LINE	SERIES	BODY	ENGINE	TRANS	TRIM	DESCRIPTION
1	04799936AB	1	J, U			EN0	DGQ		THRUST BEARING, Needle Roller
2	04799936AB	1							PLATE, Clutch Hub Thrust, PKG 05013093AB, (NOT SERVICED)
3	04799680AB	1	J, U			EN0	DGQ		SNAP RING, Transmission
4	04799498AC	1	J, U			EN0	DGQ		RETAINER, Transmission 2nd and 4th Clutch Piston
5	04799086	1	J, U			EN0	DGQ		BLEED ORIFICE, Transmission
6	04799174	1	J, U			EN0	DGQ		SNAP RING, Transmission
7	04799174	1							RING, PKG 05013093AB, (NOT SERVICED)
8	04799521	1	J, U			EN0	DGQ		SPRING, 2nd And 4th Clutch Piston
9	04799522AB	1	J, U			EN0	DGQ		SNAP RING, Transmission
10	04799522AB	1							RING, PKG 05013093AB, (NOT SERVICED)
11	04799522AB	1							RING, PKG 05013093AB, (NOT SERVICED)
12	04799527AB	1	J, U			EN0	DGQ		SPRING, 2nd And 4th Clutch Piston
13	04799680AB	1	J, U			EN0	DGQ		SNAP RING, Transmission
14	04799680AB	1							DISC, Clutch, PKG 05013087AA, (NOT SERVICED)
15	04799680AB	1							PLATE, Clutch Separator, PKG 05013087AA, (NOT SERVICED)
16	04799533	1	J, U			EN0	DGQ		PLATE, Transmission Clutch Reaction
17	04799533	1							SNAP RING, Transmission, PKG 05013087AA, (NOT SERVICED)
18	04799533	1							PLATE, PKG 05013087AA, (NOT SERVICED)
19	04799533	1							DISC, Clutch, PKG 05013087AA, (NOT SERVICED)
20	04799687AB	1	J, U			EN0	DGQ		PLATE, Transmission Clutch Reaction
-21	04799465	1	J, U			EN0	DGQ		CLUTCH, Overrunning

NOTE:  
Sales Codes:  
[DGQ]=5 Speed Automatic Transmission - [5-45RFE]  
[EN0]=All 4/5 Cylinder Turbo Diesel Engines

<b>LIBERTY (KJ)</b>				
SERIES	LINE	BODY	ENGINE	TRANSMISSION
H = HIGHLINE	T = JEEP - 2WD	74 = SPORT UTILITY 4-DR	EKG = 3.7L V6 Engine	DG6 = 4-Spd. Automatic 42RLE Transmission
M = MEDIUM	J = JEEP - 4WD		ENR = 2.8L 4 Cyl Turbo Diesel Engine	DGV = 4-Spd. Automatic VLP Transmission
P = PREMIUM	U = JEEP - 4WD (RHD)		ENJ = 2.5L 4 Cyl 16V Turbo Diesel Engine	DGQ = 5-Spd Automatic 5-45RFE Transmission
			ED1 = 2.4L 4 Cyl DOHC 16v SMPI Engine	DEH = 6-Speed Manual NSG370 Transmission
				DDD = 5-Speed HD Manual Transmission
				DDK = 5-Speed HD Manual Transmission

AR = use ase required - = Non illustrated part

2 / 4 Clutch Retainer  
Figure 5-45RFE-440



ITEM	PART NUMBER	QTY	LINE	SERIES	BODY	ENGINE	TRANS	TRIM	DESCRIPTION
-22	04799457AB	1	J, U			EN0	DGQ		CLUTCH, L/R Clutch
-23	05013087AC	1	J, U			EN0	DGQ		CLUTCH PACKAGE, Automatic Transmission, 2/4
-24	04799863AA	1	J, U			EN0	DGQ		SNAP RING
-25	04799528AB	1	J, U			EN0	DGQ		SNAP RING, Transmission
-26	04800236AA	1	J, U				DG6		SPRING, Low/Reverse Clutch Piston

LIBERTY (KJ)

SERIES LINE  
 H = HIGHLINE T = JEEP - 2WD  
 M = MEDIUM J = JEEP - 4WD  
 P = PREMIUM U = JEEP - 4WD (RHD)

BODY  
 74 = SPORT UTILITY 4-DR

ENGINE TRANSMISSION  
 EKG = 3.7L V6 Engine DG6 = 4-Spd. Automatic 42RLE  
 ENR = 2.8L 4 Cyl Turbo Diesel Transmission  
 Engine DGV = 4-Spd. Automatic VLP  
 ENJ = 2.5L 4 Cyl 16V Turbo Transmission  
 Diesel Engine DGQ = 5-Spd Automatic 5-45RFE  
 ED1 = 2.4L 4 Cyl DOHC 16v Transmission  
 SMPI Engine DEH = 6-Speed Manual NSG370  
 Transmission  
 DDD = 5-Speed HD Manual  
 Transmission  
 DDK = 5-Speed HD Manual  
 Transmission

AR = use ase required - = Non illustrated part

2006 KJ

**Input / Reverse Planetary  
Figure 5-45RFE-450**

ITEM	PART NUMBER	QTY	LINE	SERIES	BODY	ENGINE	TRANS	TRIM	DESCRIPTION
------	-------------	-----	------	--------	------	--------	-------	------	-------------

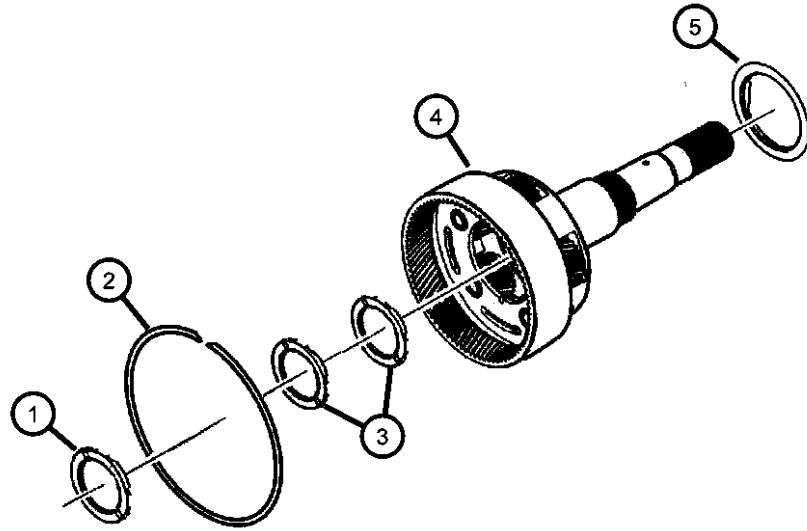
NOTE:

Sales Codes:

[DGQ]=5 Speed Automatic Transmission - [5-45RFE]

[EN0]=All 4/5 Cylinder Turbo Diesel Engines

1	04799469	1	J, U			EN0	DGQ		THRUST BEARING, Needle Roller
2	04799247	1	J, U			EN0	DGQ		SNAP RING
3	52119464AA	1	J, U			EN0	DGQ		THRUST BEARING, Needle Roller
4	04799500AD	1	J, U			EN0	DGQ		CARRIER, Input Complete
5	04799459	1	J, U			EN0	DGQ		THRUST BEARING, Needle Roller
-6	04799503AE	1	J, U			EN0	DGQ		CARRIER, Reverse Complete



**LIBERTY (KJ)**

SERIES	LINE
H = HIGHLINE	T = JEEP - 2WD
M = MEDIUM	J = JEEP - 4WD
P = PREMIUM	U = JEEP - 4WD (RHD)

BODY  
74 = SPORT UTILITY 4-DR

ENGINE	TRANSMISSION
EKG = 3.7L V6 Engine	DG6 = 4-Spd. Automatic 42RLE
ENR = 2.8L 4 Cyl Turbo Diesel Engine	Transmission
ENJ = 2.5L 4 Cyl 16V Turbo Diesel Engine	DGV = 4-Spd. Automatic VLP
ED1 = 2.4L 4 Cyl DOHC 16v SMPI Engine	Transmission
	DGQ = 5-Spd Automatic 5-45RFE
	Transmission
	DEH = 6-Speed Manual NSG370
	Transmission
	DDD = 5-Speed HD Manual
	Transmission
	DDK = 5-Speed HD Manual
	Transmission

AR = use ase required - = Non illustrated part

2006 KJ



**Reaction Annulus / Sun Gear  
Figure 5-45RFE-460**

ITEM	PART NUMBER	QTY	LINE	SERIES	BODY	ENGINE	TRANS	TRIM	DESCRIPTION
------	-------------	-----	------	--------	------	--------	-------	------	-------------

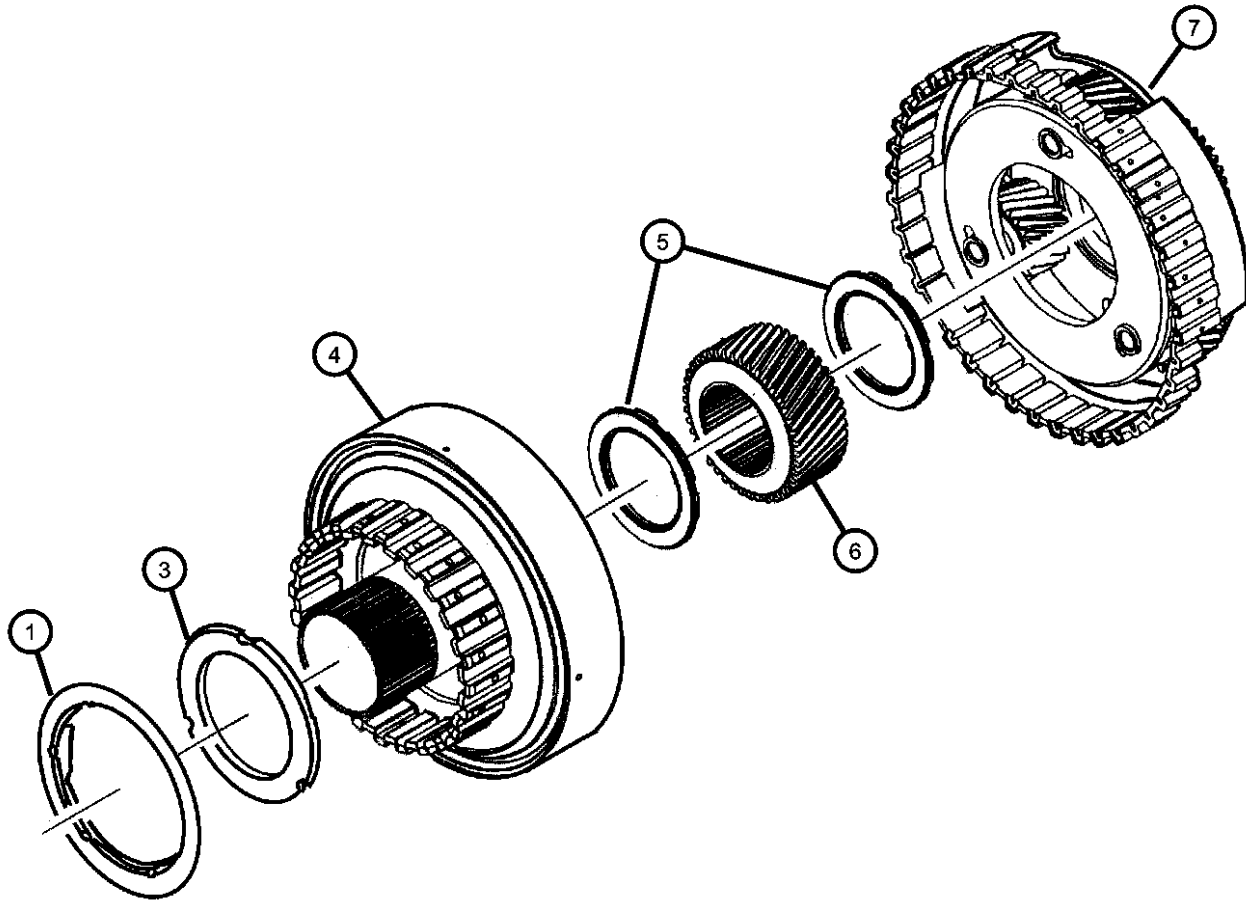
NOTE:

Sales Codes:

[DGQ]=5 Speed Automatic Transmission - [5-45RFE]

[EN0]=All 4/5 Cylinder Turbo Diesel Engines

1	04799459	1	J, U			EN0	DGQ		THRUST BEARING, Needle Roller
-2	52119464AA	1	J, U			EN0	DGQ		THRUST BEARING, Needle Roller
3	52119464AA	1							THRUST WASHER, Planetary Carrier, PKG 05013092AA, (NOT SERVICED)
4	04799501	1	J, U			EN0	DGQ		GEAR, Annulus
5	04799469	1	J, U			EN0	DGQ		THRUST BEARING, Needle Roller
6	04799602	1	J, U			EN0	DGQ		GEAR, Reaction Sun
7	04799619AB	1	J, U			EN0	DGQ		CARRIER, Reaction Complete
-8	04799586AB	1	J, U			EN0	DGQ		GEAR, Input Sun



**LIBERTY (KJ)**

SERIES	LINE
H = HIGHLINE	T = JEEP - 2WD
M = MEDIUM	J = JEEP - 4WD
P = PREMIUM	U = JEEP - 4WD (RHD)

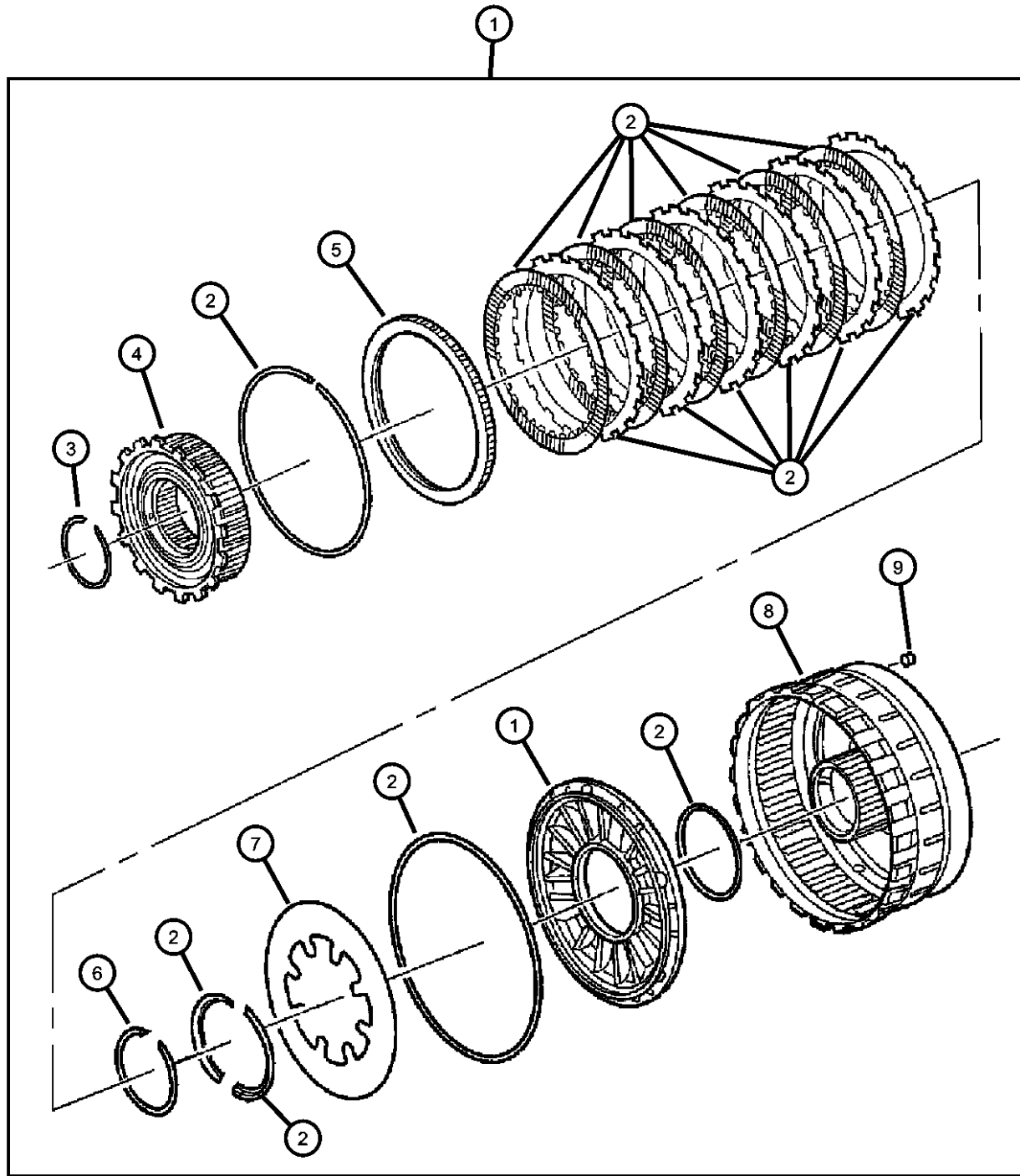
BODY  
74 = SPORT UTILITY 4-DR

ENGINE	TRANSMISSION
EKG = 3.7L V6 Engine	DG6 = 4-Spd. Automatic 42RLE
ENR = 2.8L 4 Cyl Turbo Diesel Engine	Transmission
ENJ = 2.5L 4 Cyl 16V Turbo Diesel Engine	DGV = 4-Spd. Automatic VLP
ED1 = 2.4L 4 Cyl DOHC 16v SMPI Engine	Transmission
	DGQ = 5-Spd Automatic 5-45RFE
	Transmission
	DEH = 6-Speed Manual NSG370
	Transmission
	DDD = 5-Speed HD Manual
	Transmission
	DDK = 5-Speed HD Manual
	Transmission

AR = use ase required - = Non illustrated part

2006 KJ

Low / Reverse Clutch  
Figure 5-45RFE-470



ITEM	PART NUMBER	QTY	LINE	SERIES	BODY	ENGINE	TRANS	TRIM	DESCRIPTION
------	-------------	-----	------	--------	------	--------	-------	------	-------------

NOTE:

Sales Codes:

[DGQ]=5 Speed Automatic Transmission - [5-45RFE]

[EN0]=All 4/5 Cylinder Turbo Diesel Engines

1	04799457AB	1	J, U			EN0	DGQ		CLUTCH, L/R Clutch
2	05073003AA	1	J, U			EN0	DGQ		CLUTCH PACKAGE, Automatic Transmission, Low/Reverse
3	04799863AA	1	J, U			EN0	DGQ		SNAP RING
4	04799465	1	J, U			EN0	DGQ		CLUTCH, Overrunning
5	04799667	1	J, U			EN0	DGQ		PLATE, Transmission Clutch Reaction
6	04799863AA	1	J, U			EN0	DGQ		SNAP RING
7	04799863AA	1	J, U			EN0	DGQ		SNAP RING
8	05179008AA	1	J, U			EN0	DGQ		CLUTCH PACKAGE, Automatic Transmission, Low/Reverse, Includes: Low/Reverse Clutch, Spring Low Reverse
9	04799086	1	J, U			EN0	DGQ		BLEED ORIFICE, Transmission
-10	04799466	1	J, U			EN0	DGQ		SNAP RING, Transmission

LIBERTY (KJ)

SERIES

H = HIGHLINE

M = MEDIUM

P = PREMIUM

LINE

T = JEEP - 2WD

J = JEEP - 4WD

U = JEEP - 4WD (RHD)

BODY

74 = SPORT UTILITY 4-DR

ENGINE

EKG = 3.7L V6 Engine

ENR = 2.8L 4 Cyl Turbo Diesel Engine

ENJ = 2.5L 4 Cyl 16V Turbo Diesel Engine

ED1 = 2.4L 4 Cyl DOHC 16v SMPI Engine

TRANSMISSION

DG6 = 4-Spd. Automatic 42RLE

Transmission

DGV = 4-Spd. Automatic VLP

Transmission

DGQ = 5-Spd Automatic 5-45RFE

Transmission

DEH = 6-Speed Manual NSG370

Transmission

DDD = 5-Speed HD Manual

Transmission

DDK = 5-Speed HD Manual

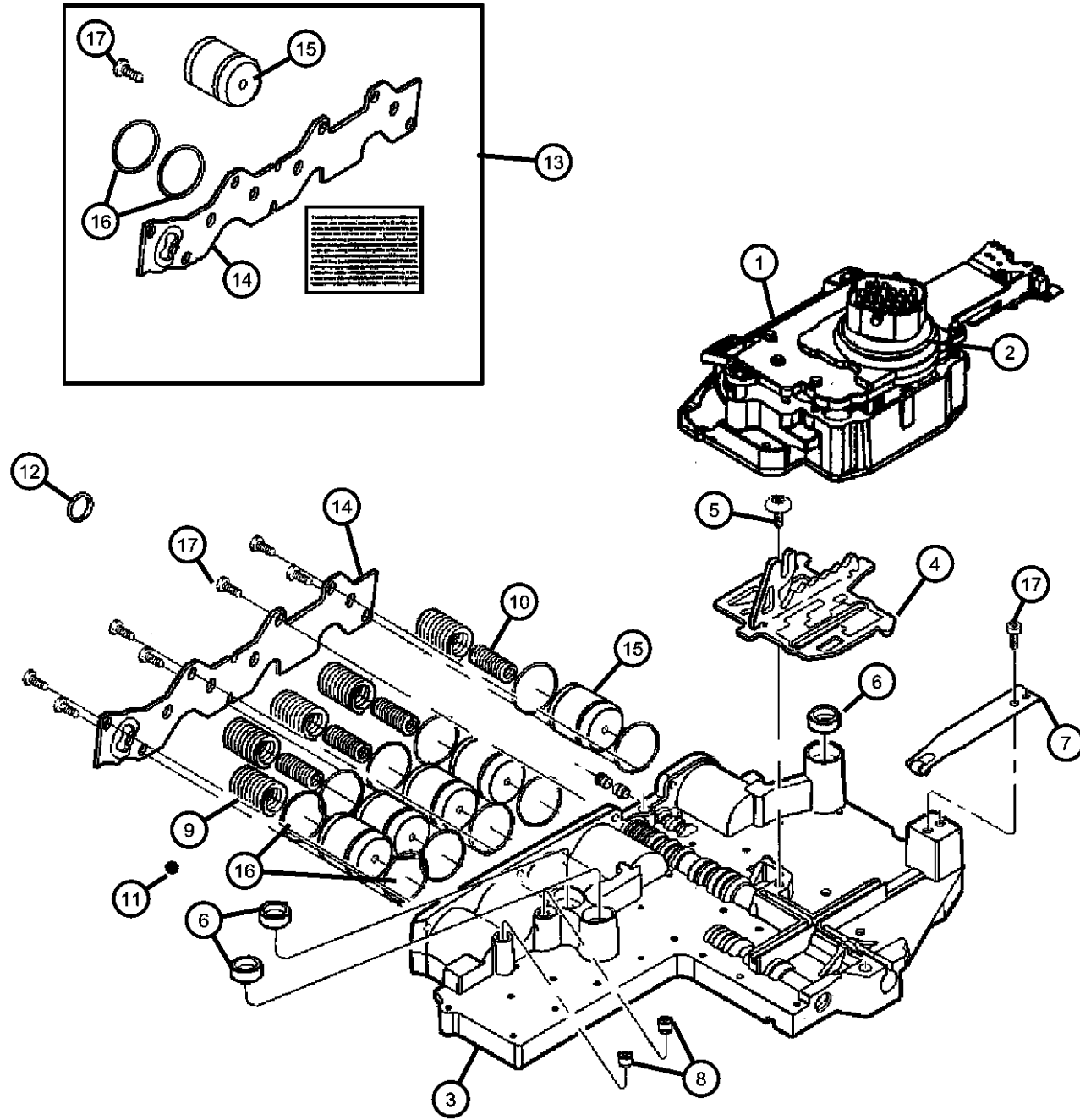
Transmission

AR = use ase required - = Non illustrated part

2006 KJ

**Valve Body**  
**Figure 5-45RFE-710**

ITEM	PART NUMBER	QTY	LINE	SERIES	BODY	ENGINE	TRANS	TRIM	DESCRIPTION
NOTE: Sales Codes: [DGQ]=5 Speed Automatic Transmission - [5-45RFE] [EN0]=All 4/5 Cylinder Turbo Diesel Engines									
1	05170877AA	1	J, U			EN0	DGQ		SOLENOID PACKAGE, Valve Body
2	05170877AA	1							SEAL, Manual Valve Position Sensor, Serviced With # 1, (NOT SERVICED)
3	52119450AB	1	J, U			EN0	DGQ		VALVE BODY, Transfer Plate and Valve
4	04799654AC	1	J, U			EN0	DGQ		PLATE, Manual Valve Cam
5	06508087AA	1	J, U			EN0	DGQ		SCREW, Shoulder/Truss, M5x.8x12.5
6	04799778	3	J, U			EN0	DGQ		SEAL, Clutch Feed
7	52119501AA	1	J, U			EN0	DGQ		DETENT, Valve Body
8	04799086	1	J, U			EN0	DGQ		BLEED ORIFICE, Transmission
9	04471880	5	J, U			EN0	DGQ		SPRING, Accumulator
10	04567575	4	J, U			EN0	DGQ		SPRING, Accumulator
11	00147482	2	J, U				DG6		BALL, Check
12	06505335AA	1	J, U			EN0	DGQ		O RING, Control Valve
13	05174633AA	1	J, U			EN0	DGQ		ACCUMULATOR KIT, Accumulator Cover
14	04799598AB	1	J, U			EN0	DGQ		COVER, Accumulator
15	04446620AC	5	J, U			EN0	DGQ		PISTON, Accumulator
16	04446544	5	J, U			EN0	DGQ		SEAL, Accumulator
17	06503232	1	J, U			EN0	DGQ		SCREW, Pan Head, M5 x 0.8 x 12.60



**LIBERTY (KJ)**

SERIES      LINE  
H = HIGHLINE    T = JEEP - 2WD  
M = MEDIUM      J = JEEP - 4WD  
P = PREMIUM      U = JEEP - 4WD (RHD)

BODY  
74 = SPORT UTILITY 4-DR

ENGINE      TRANSMISSION  
EKG = 3.7L V6 Engine      DG6 = 4-Spd. Automatic 42RLE  
ENR = 2.8L 4 Cyl Turbo Diesel Engine      DGV = 4-Spd. Automatic VLP  
ENJ = 2.5L 4 Cyl 16V Turbo Diesel Engine      DGQ = 5-Spd Automatic 5-45RFE  
ED1 = 2.4L 4 Cyl DOHC 16v SMPI Engine      DEH = 6-Speed Manual NSG370  
Transmission  
DDD = 5-Speed HD Manual Transmission  
DDK = 5-Speed HD Manual Transmission

AR = use ase required - = Non illustrated part

2006 KJ

**Parking Sprag  
Figure 5-45RFE-720**

ITEM	PART NUMBER	QTY	LINE	SERIES	BODY	ENGINE	TRANS	TRIM	DESCRIPTION
------	-------------	-----	------	--------	------	--------	-------	------	-------------

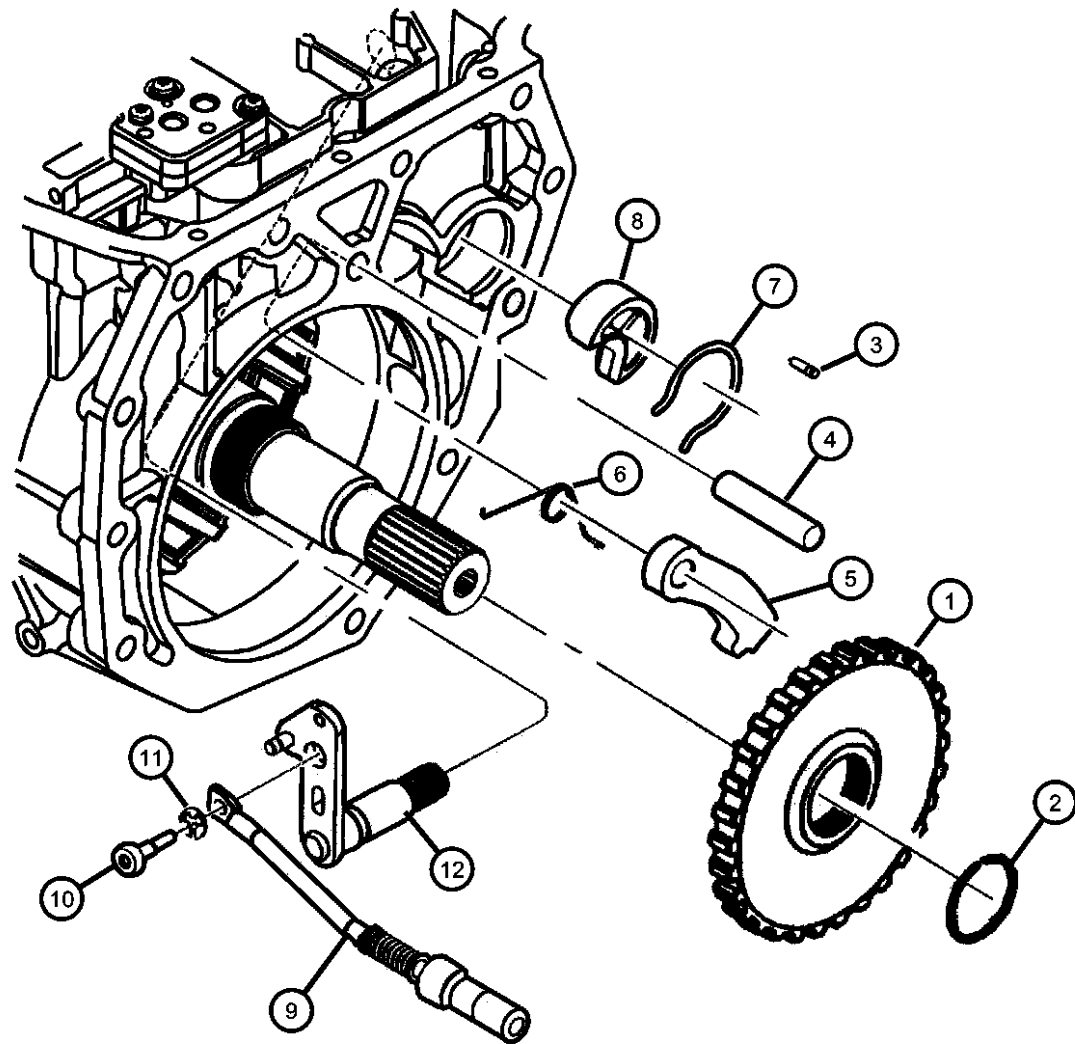
NOTE:

Sales Codes:

[DGQ]=5 Speed Automatic Transmission - [5-45RFE]

[EN0]=All 4/5 Cylinder Turbo Diesel Engines

1	04799493AB	1	J, U			EN0	DGQ		SPRAG, Transmission Parking
2	04799704	1	J, U			EN0	DGQ		SNAP RING, Transmission
3	00456636	1	J, U			EN0	DGQ		PIN
4	04799450	1	J, U			EN0	DGQ		SHAFT, Parking Pawl
5	05166452AA	1	J, U			EN0	DGQ		PAWL AND ROD KIT
6	04799451	1	J, U			EN0	DGQ		SPRING, Torsion
7	04799313	1	J, U			EN0	DGQ		SNAP RING
8	04799774	1	J, U			EN0	DGQ		GUIDE, Parking Sprag Pawl
9	05166452AA	1	J, U			EN0	DGQ		PAWL AND ROD KIT
10	06504548	1	J, U			EN0	DGQ		SCREW, M6x1x30
11	06035256	1	J, U			EN0	DGQ		SNAP RING, Rod
12	04799453	1	J, U			EN0	DGQ		LEVER, Shift Shaft



**LIBERTY (KJ)**

SERIES	LINE
H = HIGHLINE	T = JEEP - 2WD
M = MEDIUM	J = JEEP - 4WD
P = PREMIUM	U = JEEP - 4WD (RHD)

BODY  
74 = SPORT UTILITY 4-DR

ENGINE	TRANSMISSION
EKG = 3.7L V6 Engine	DG6 = 4-Spd. Automatic 42RLE
ENR = 2.8L 4 Cyl Turbo Diesel Engine	Transmission
ENJ = 2.5L 4 Cyl 16V Turbo Diesel Engine	DGV = 4-Spd. Automatic VLP
ED1 = 2.4L 4 Cyl DOHC 16v SMPI Engine	Transmission
	DGQ = 5-Spd Automatic 5-45RFE
	Transmission
	DEH = 6-Speed Manual NSG370
	Transmission
	DDD = 5-Speed HD Manual
	Transmission
	DDK = 5-Speed HD Manual
	Transmission

AR = use ase required - = Non illustrated part

2006 KJ

**Shifter Control**  
**Figure 5-45RFE-1210**

ITEM	PART NUMBER	QTY	LINE	SERIES	BODY	ENGINE	TRANS	TRIM	DESCRIPTION
------	-------------	-----	------	--------	------	--------	-------	------	-------------

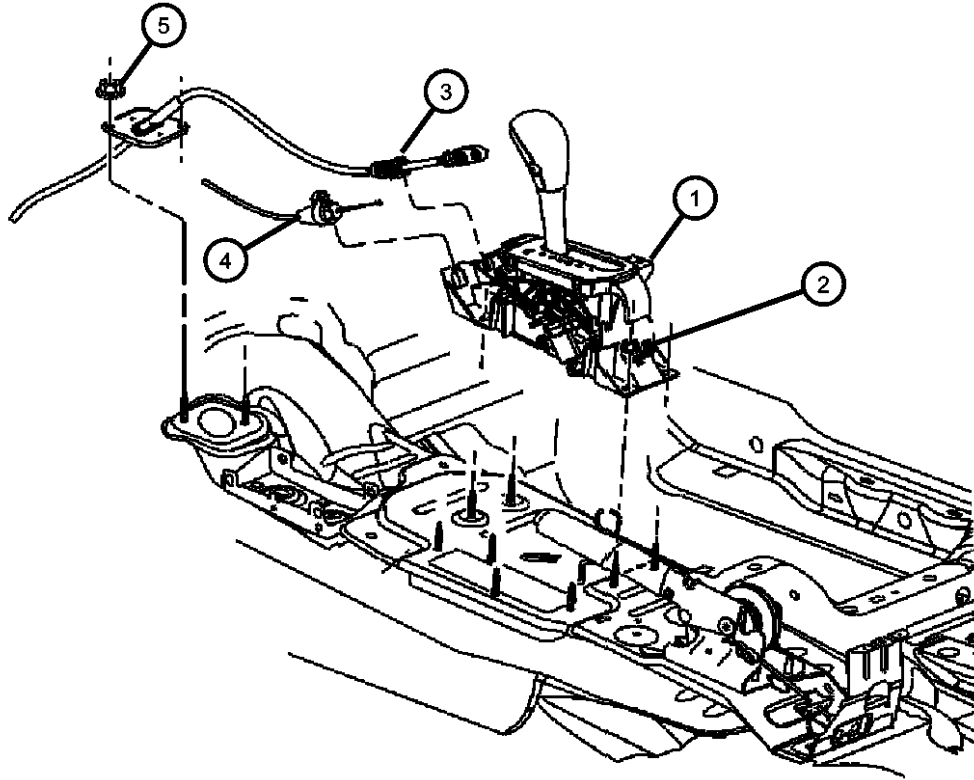
NOTE:

Sales Codes:

[DGQ]=5 Speed Automatic Transmission - [5-45RFE]

[EN0]=All 4/5 Cylinder Turbo Diesel Engines

1									HOUSING AND LEVER, Shifter
	52109779AC	1	J, T				DG0		
	52109780AC	1	U				DG0		
2	06104725AA	4							NUT AND WASHER, M6x1
3	52109781AA	1					DG0		CABLE, Gearshift Control
4	52104319AC	1					DG0		CABLE, Gearshift Lock
5	06502726	2							NUT



**LIBERTY (KJ)**

SERIES	LINE
H = HIGHLINE	T = JEEP - 2WD
M = MEDIUM	J = JEEP - 4WD
P = PREMIUM	U = JEEP - 4WD (RHD)

BODY  
 74 = SPORT UTILITY 4-DR

ENGINE	TRANSMISSION
EKG = 3.7L V6 Engine	DG6 = 4-Spd. Automatic 42RLE
ENR = 2.8L 4 Cyl Turbo Diesel Engine	Transmission
ENJ = 2.5L 4 Cyl 16V Turbo Diesel Engine	DGV = 4-Spd. Automatic VLP
ED1 = 2.4L 4 Cyl DOHC 16v SMPI Engine	Transmission
	DGQ = 5-Spd Automatic 5-45RFE
	Transmission
	DEH = 6-Speed Manual NSG370
	Transmission
	DDD = 5-Speed HD Manual
	Transmission
	DDK = 5-Speed HD Manual
	Transmission

AR = use ase required - = Non illustrated part

2006 KJ

**Manual Control Lever  
Figure 5-45RFE-1220**

ITEM	PART NUMBER	QTY	LINE	SERIES	BODY	ENGINE	TRANS	TRIM	DESCRIPTION
------	-------------	-----	------	--------	------	--------	-------	------	-------------

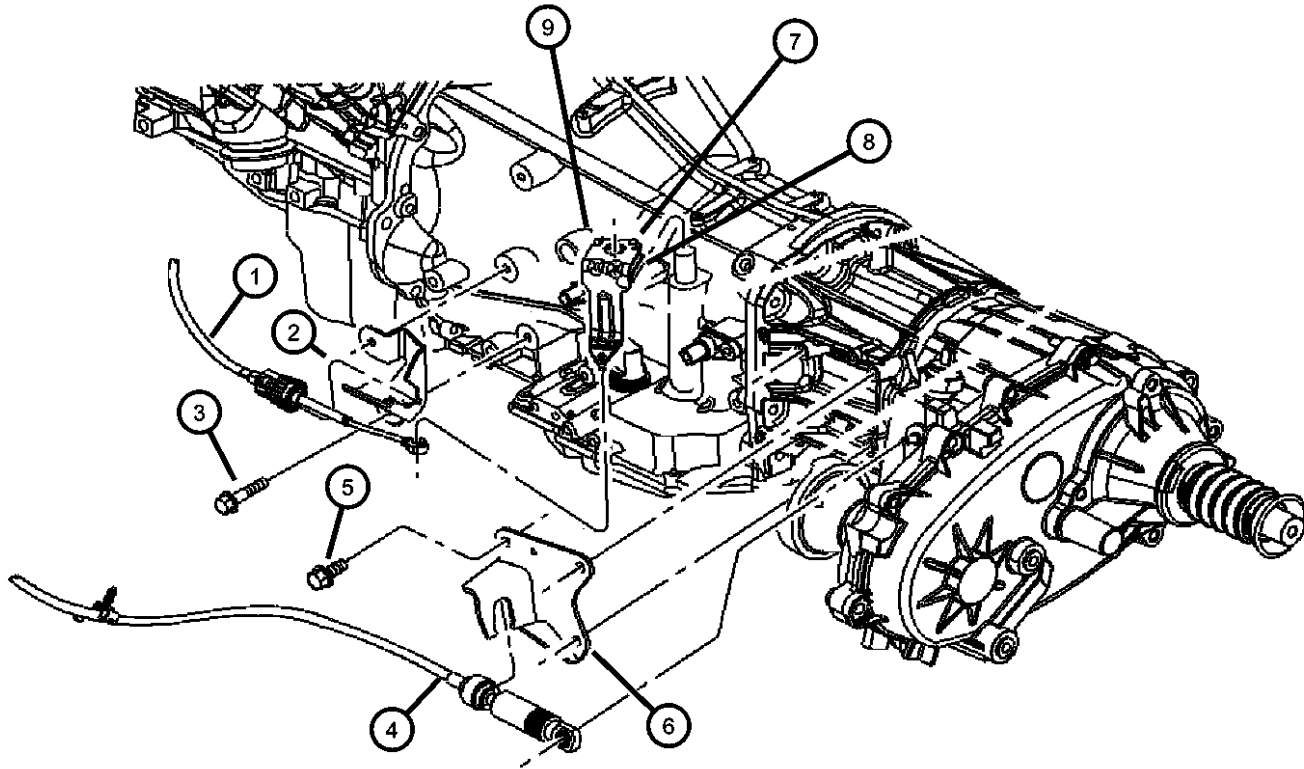
NOTE:

Sales Codes:

[DGQ]=5 Speed Automatic Transmission - [5-45RFE]

[EN0]=All 4/5 Cylinder Turbo Diesel Engines

1	52109781AA	1					DG0		CABLE, Gearshift Control
2	52104371AG	1					DGQ		BRACKET, Shift Cable
3	06101758	2					DGQ		SCREW, Hex Head, M8x1.25x20
4									SHIFTER, Transfer Case
	52128999AG	1	J, U						With [DHN / DHE]
	52129243AF	1	J, U						With [DHP]
5	06101752	3	J, U				DG0		SCREW AND WASHER, Hex Head, M10x1.5x28
6	52128955AB	1	J, U				DGQ		BRACKET, Shifter
7	52109706AB	1					DGQ		LEVER, Manual Control
8	52109706AB	1							NUT, M6x1.00, (NOT SERVICED)
9	06101978	1					DGQ		SCREW AND WASHER, Hex Head, M8-1.25x40



**LIBERTY (KJ)**

SERIES	LINE
H = HIGHLINE	T = JEEP - 2WD
M = MEDIUM	J = JEEP - 4WD
P = PREMIUM	U = JEEP - 4WD (RHD)

BODY
74 = SPORT UTILITY 4-DR

ENGINE	TRANSMISSION
EKG = 3.7L V6 Engine	DG6 = 4-Spd. Automatic 42RLE
ENR = 2.8L 4 Cyl Turbo Diesel Engine	Transmission
ENJ = 2.5L 4 Cyl 16V Turbo Diesel Engine	DGV = 4-Spd. Automatic VLP
ED1 = 2.4L 4 Cyl DOHC 16v SMPI Engine	Transmission
	DGQ = 5-Spd Automatic 5-45RFE
	Transmission
	DEH = 6-Speed Manual NSG370
	Transmission
	DDD = 5-Speed HD Manual
	Transmission
	DDK = 5-Speed HD Manual
	Transmission

AR = use ase required - = Non illustrated part

2006 KJ

L / R Clutch Package  
Figure 5-45RFE-1310

**LR CLUTCH PACKAGE 05013091aa**

	D-ring, external (L/R piston outer)
	D-ring, internal (L/R piston inner)
(6)	Plate, clutch separator (1.74mm thk)
(6)	Disc assy, clutch (L/R)
	Snap ring, flat (1.5/1.6 thk)
	Snap ring, flat (2.03/2.13 thk)
	Snap ring, flat (2.54/2.68 thk)
(2)	Retainer, c-clip

①

ITEM	PART NUMBER	QTY	LINE	SERIES	BODY	ENGINE	TRANS	TRIM	DESCRIPTION
------	-------------	-----	------	--------	------	--------	-------	------	-------------

NOTE:

Sales Codes:

[DGQ]=5 Speed Automatic Transmission - [5-45RFE]

[EN0]=All 4/5 Cylinder Turbo Diesel Engines

1	05073003AA	1	J, U			EN0	DGQ		CLUTCH PACKAGE, Automatic Transmission, Low/Reverse
---	------------	---	------	--	--	-----	-----	--	---

**LIBERTY (KJ)**

SERIES	LINE
H = HIGHLINE	T = JEEP - 2WD
M = MEDIUM	J = JEEP - 4WD
P = PREMIUM	U = JEEP - 4WD (RHD)

BODY
74 = SPORT UTILITY 4-DR

ENGINE	TRANSMISSION
EKG = 3.7L V6 Engine	DG6 = 4-Spd. Automatic 42RLE
ENR = 2.8L 4 Cyl Turbo Diesel Engine	Transmission
ENJ = 2.5L 4 Cyl 16V Turbo Diesel Engine	DGV = 4-Spd. Automatic VLP
ED1 = 2.4L 4 Cyl DOHC 16v SMPI Engine	Transmission
	DGQ = 5-Spd Automatic 5-45RFE
	Transmission
	DEH = 6-Speed Manual NSG370
	Transmission
	DDD = 5-Speed HD Manual
	Transmission
	DDK = 5-Speed HD Manual
	Transmission

AR = use ase required - = Non illustrated part

2006 KJ

**Input Clutch Plate Package  
Figure 5-45RFE-1320**

ITEM	PART NUMBER	QTY	LINE	SERIES	BODY	ENGINE	TRANS	TRIM	DESCRIPTION
------	-------------	-----	------	--------	------	--------	-------	------	-------------

**SELECTIVE THRUST PLATES      05013093aa**  
**INPUT CLUTCH THRUST PLATE PKG**

①

Thrust plate, input clutc 1.52 / 1.61
Thrust plate, input clutc 1.66 / 1.75
Thrust plate, input clutc 1.80 / 1.89
Thrust plate, input clutc 1.94 / 2.03
Thrust plate, input clutc 2.08 / 2.17
Thrust plate, input clutc 2.22 / 2.31
Thrust plate, input clutc 2.36 / 2.45
Thrust plate, input clutc 2.50 / 2.59
Thrust plate, input clutc 2.64 / 2.73
Thrust plate, input clutc 2.78 / 2.87
Thrust plate, input clutc 2.92 / 3.01
Thrust plate, input clutc 3.06 / 3.15
Thrust plate, input clutc 3.20 / 3.29
Thrust plate, input clutc 3.34 / 3.43
Thrust plate, input clutc 3.62 / 3.71

NOTE:

Sales Codes:

[DGQ]=5 Speed Automatic Transmission - [5-45RFE]

[EN0]=All 4/5 Cylinder Turbo Diesel Engines

1	05013093AA	1	J, U			EN0	DGQ		PLATE PACKAGE, Input Clutch Thrust
---	------------	---	------	--	--	-----	-----	--	------------------------------------

**LIBERTY (KJ)**

SERIES	LINE
H = HIGHLINE	T = JEEP - 2WD
M = MEDIUM	J = JEEP - 4WD
P = PREMIUM	U = JEEP - 4WD (RHD)

BODY
74 = SPORT UTILITY 4-DR

ENGINE	TRANSMISSION
EKG = 3.7L V6 Engine	DG6 = 4-Spd. Automatic 42RLE
ENR = 2.8L 4 Cyl Turbo Diesel Engine	DGV = 4-Spd. Automatic VLP
ENJ = 2.5L 4 Cyl 16V Turbo Diesel Engine	DGQ = 5-Spd Automatic 5-45RFE
ED1 = 2.4L 4 Cyl DOHC 16v SMPI Engine	DEH = 6-Speed Manual NSG370
	DDD = 5-Speed HD Manual
	DDK = 5-Speed HD Manual

AR = use ase required - = Non illustrated part

2006 KJ



**Overhaul / Seal & Gasket Package**  
**Figure 5-45RFE-1330**

ITEM	PART NUMBER	QTY	LINE	SERIES	BODY	ENGINE	TRANS	TRIM	DESCRIPTION
------	-------------	-----	------	--------	------	--------	-------	------	-------------

NOTE:

Sales Codes:

[DGQ]=5 Speed Automatic Transmission - [5-45RFE]

[EN0]=All 4/5 Cylinder Turbo Diesel Engines

1 05014221AJ 1 J, U

EN0 DGQ

OVERHAUL PACKAGE,  
Transmission

**O/H seal/gasket package**

**05014221ac**

1

	2&4 clutch package	
	Input clutch package	
	L/R clutch package	
	Sump filter & seal package	
	Cooler filter	
	fill tube seal	
	Frt pmp cover o-ring/seal assy	
	Rotating shaft seal,pmp hsg	
	Adapter seal, 4x4	
	Extension seal,4x2	
	Manual lever seal	
(2)	Speed sensor seal	
	Reaction supt ring seal	
	Rev O/D clutch filter	
(10)	Accumulator ring seal	
(3)	Valve body seal	
	Check valve o-ring	
	Solenoid insulator seal	
	T/C seal	

**LIBERTY (KJ)**

SERIES

H = HIGHLINE

M = MEDIUM

P = PREMIUM

LINE

T = JEEP - 2WD

J = JEEP - 4WD

U = JEEP - 4WD (RHD)

BODY

74 = SPORT UTILITY 4-DR

ENGINE

EKG = 3.7L V6 Engine

ENR = 2.8L 4 Cyl Turbo Diesel Engine

ENJ = 2.5L 4 Cyl 16V Turbo Diesel Engine

ED1 = 2.4L 4 Cyl DOHC 16v SMPI Engine

TRANSMISSION

DG6 = 4-Spd. Automatic 42RLE Transmission

DGV = 4-Spd. Automatic VLP

DGQ = 5-Spd Automatic 5-45RFE Transmission

DEH = 6-Speed Manual NSG370

Transmission

DDD = 5-Speed HD Manual

Transmission

DDK = 5-Speed HD Manual

Transmission

AR = use ase required - = Non illustrated part

2006 KJ

Input Clutch Package  
Figure 5-45RFE-1340

**INPUT CLUTCH PACKAGE**

**05013090aa**

1

	O-ring, large (2.62mm x 79.84 ID,gm)
	O-ring, small (2.62mm x 70.56 ID,red)
(2)	Seal, internal lip
(2)	Ring seal, I-shaft
	O-ring, piston inner (2.62mm x 93.54 ID)
(5)	Plate, clutch separator (1.74mm thk)
(4)	Disc assy, clutch (u/d clutch)
(4)	Disc assy, clutch (o/d clutch)
(3)	PLate, clutch separator (2.21mm thk, O/D)
(2)	Disc assy, clutch (rev clutch)
	Snap ring,tapered, internal butterfly end
	Snap ring, flat (1.5/1.6 thk)
	Snap ring, flat (1.80/1.90 thk)
	Snap ring, flat (2.15/2.25 thk)
	Piston & seal, underdrive
	Piston & seal, underdrive balance

ITEM	PART NUMBER	QTY	LINE	SERIES	BODY	ENGINE	TRANS	TRIM	DESCRIPTION
------	-------------	-----	------	--------	------	--------	-------	------	-------------

NOTE:

Sales Codes:

[DGQ]=5 Speed Automatic Transmission - [5-45RFE]

[EN0]=All 4/5 Cylinder Turbo Diesel Engines

1	05013090AC	1	J, U			EN0	DGQ		CLUTCH PACKAGE, Automatic Transmission, Input
---	------------	---	------	--	--	-----	-----	--	---

**LIBERTY (KJ)**

SERIES	LINE
H = HIGHLINE	T = JEEP - 2WD
M = MEDIUM	J = JEEP - 4WD
P = PREMIUM	U = JEEP - 4WD (RHD)

BODY
74 = SPORT UTILITY 4-DR

ENGINE	TRANSMISSION
EKG = 3.7L V6 Engine	DG6 = 4-Spd. Automatic 42RLE
ENR = 2.8L 4 Cyl Turbo Diesel Engine	Transmission
ENJ = 2.5L 4 Cyl 16V Turbo Diesel Engine	DGV = 4-Spd. Automatic VLP
ED1 = 2.4L 4 Cyl DOHC 16v SMPI Engine	Transmission
	DGQ = 5-Spd Automatic 5-45RFE
	Transmission
	DEH = 6-Speed Manual NSG370
	Transmission
	DDD = 5-Speed HD Manual
	Transmission
	DDK = 5-Speed HD Manual
	Transmission

AR = use ase required - = Non illustrated part

2006 KJ

**Planetary Plate Package  
Figure 5-45RFE-1350**

ITEM	PART NUMBER	QTY	LINE	SERIES	BODY	ENGINE	TRANS	TRIM	DESCRIPTION
------	-------------	-----	------	--------	------	--------	-------	------	-------------

**SELECTIVE THRUST PLATES**

**PLANETARY THRUST PLATE PKG 05013092aa**

	Thrust plate, planetary	1.62 / 1.75
	Thrust plate, planetary	1.81 / 1.94
	Thrust plate, planetary	1.96 / 2.09
	Thrust plate, planetary	2.11 / 2.24
	Thrust plate, planetary	2.26 / 2.39
	Thrust plate, planetary	2.41 / 2.54
	Thrust plate, planetary	2.56 / 2.69
	Thrust plate, planetary	2.71 / 2.84
	Thrust plate, planetary	2.86 / 2.99
	Thrust plate, planetary	3.01 / 3.14
	Thrust plate, planetary	3.16 / 3.29
	Thrust plate, planetary	3.31 / 3.44
	Thrust plate, planetary	3.46 / 3.59
	Thrust plate, planetary	3.61 / 3.74
	Thrust plate, planetary	3.76 / 3.89
	Thrust plate, planetary	3.91 / 4.04
	Thrust plate, planetary	4.06 / 4.19
	Thrust plate, planetary	4.21 / 4.34
	Thrust plate, planetary	4.36 / 4.49

①

NOTE:

Sales Codes:

[DGQ]=5 Speed Automatic Transmission - [5-45RFE]

[EN0]=All 4/5 Cylinder Turbo Diesel Engines

1	05013092AB	1	J, U			EN0	DGQ		PLATE PACKAGE, Planetary Thrust
-2									PLATE, Clutch Hub Thrust, Input Clutch Plate
	04799830AB	AR	J, U			EN0	DGQ		[1.94/2.03]
	04799831AB	AR	J, U			EN0	DGQ		[2.08/2.17]
	04799832AB	AR	J, U			EN0	DGQ		[2.22/2.31]
	04799833AB	AR	J, U			EN0	DGQ		[2.36/2.45]
	04799834AB	AR	J, U			EN0	DGQ		[2.50/2.59]
	04799835AB	AR	J, U			EN0	DGQ		[2.64/2.73]
	04799836AB	AR	J, U			EN0	DGQ		[2.78/2.87]
	04799837AB	AR	J, U			EN0	DGQ		[2.92/3.01]
-3									PLATE, Planetary, Thrust Plate
	04799810AC	AR	J, U			EN0	DGQ		[2.26/2.39]
	04799811AC	AR	J, U			EN0	DGQ		[2.41/2.54]
	04799812AC	AR	J, U			EN0	DGQ		[2.56/2.69]
	04799813AC	AR	J, U			EN0	DGQ		[2.71/2.84]
	04799814AC	AR	J, U			EN0	DGQ		[2.86/2.99]
	04799816AC	AR	J, U			EN0	DGQ		[3.16/3.29]
	04799817AC	AR	J, U			EN0	DGQ		[3.31/3.44]
	04799818AC	AR	J, U			EN0	DGQ		[3.46/3.59]
	04799819AC	AR	J, U			EN0	DGQ		[3.61/3.74]

**LIBERTY (KJ)**

SERIES      LINE  
H = HIGHLINE    T = JEEP - 2WD  
M = MEDIUM      J = JEEP - 4WD  
P = PREMIUM      U = JEEP - 4WD (RHD)

BODY  
74 = SPORT UTILITY 4-DR

ENGINE      TRANSMISSION  
EKG = 3.7L V6 Engine      DG6 = 4-Spd. Automatic 42RLE  
ENR = 2.8L 4 Cyl Turbo Diesel Engine      DG7 = 4-Spd. Automatic VLP  
ENJ = 2.5L 4 Cyl 16V Turbo Diesel Engine      DGQ = 5-Spd Automatic 5-45RFE  
ED1 = 2.4L 4 Cyl DOHC 16v SMPI Engine      DEH = 6-Speed Manual NSG370  
Transmission  
DDD = 5-Speed HD Manual Transmission  
DDK = 5-Speed HD Manual Transmission

AR = use ase required - = Non illustrated part

2006 KJ

2 & 4 Clutch Package

Figure 5-45RFE-1360

ITEM	PART NUMBER	QTY	LINE	SERIES	BODY	ENGINE	TRANS	TRIM	DESCRIPTION
------	-------------	-----	------	--------	------	--------	-------	------	-------------

NOTE:  
 Sales Codes:  
 [DGQ]=5 Speed Automatic Transmission - [5-45RFE]  
 [EN0]=All 4/5 Cylinder Turbo Diesel Engines

1	05013087AD	1	J, U			EN0	DGQ		CLUTCH PACKAGE, Automatic Transmission, 2/4
---	------------	---	------	--	--	-----	-----	--	---

**2&4 CLUTCH PACKAGE 05013087aa**

①

(2)	Disc assy, clutch (2nd clutch)
(2)	Plate, clutch separator
	D-ring, external (2nd outer)
	D-ring, internal (2nd inner)
	D-ring, internal (4th outer)
	D-ring, internal (4th inner)
(3)	Plate, clutch separator (4th clutch)
(3)	Disc assy, clutch (4th clutch)
	Snap ring (4th, 1.74/1.84 thk)
	Snap ring (4th, 2.15/2.25 thk)
	Snap ring (4th, 2.56/2.66 thk)

<b>LIBERTY (KJ)</b>				
SERIES	LINE	BODY	ENGINE	TRANSMISSION
H = HIGHLINE	T = JEEP - 2WD	74 = SPORT UTILITY 4-DR	EKG = 3.7L V6 Engine	DG6 = 4-Spd. Automatic 42RLE
M = MEDIUM	J = JEEP - 4WD		ENR = 2.8L 4 Cyl Turbo Diesel Engine	Transmission
P = PREMIUM	U = JEEP - 4WD (RHD)		ENJ = 2.5L 4 Cyl 16V Turbo Diesel Engine	DGV = 4-Spd. Automatic VLP
			ED1 = 2.4L 4 Cyl DOHC 16v SMPI Engine	Transmission
				DGQ = 5-Spd Automatic 5-45RFE
				Transmission
				DEH = 6-Speed Manual NSG370
				Transmission
				DDD = 5-Speed HD Manual
				Transmission
				DDK = 5-Speed HD Manual
				Transmission

AR = use ase required - = Non illustrated part

# Group - NSG370

## Manual Transmission 6 Speed

### Group - NSG370 Manual Transmission 6 Speed

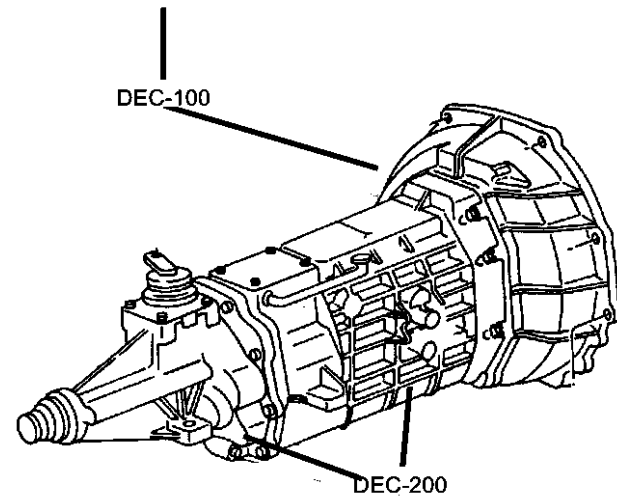


Illustration Title

Group-Fig. No.

#### Transmission

Transmission Assembly ..... Fig. NSG370 - 110

#### Case & Extension

Front Case & Related Parts ..... Fig. NSG370 - 210

Rear Case & Related Parts ..... Fig. NSG370 - 220

#### Gear Train

Input Shaft ..... Fig. NSG370 - 410

Main Shaft ..... Fig. NSG370 - 420

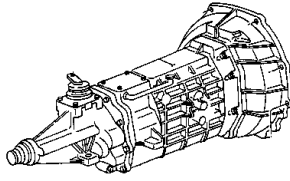
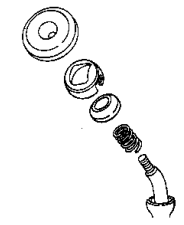
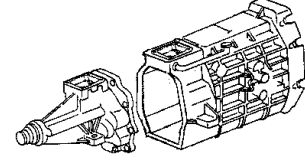
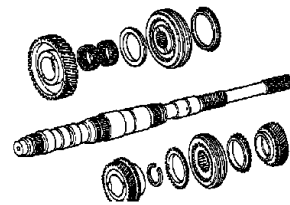
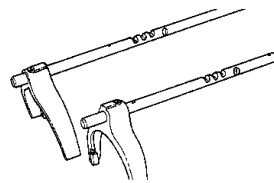
Countershaft ..... Fig. NSG370 - 430

#### Forks and Rails

Fork & Rail ..... Fig. NSG370 - 910

#### Gear Shift Controls

Gearshift Control ..... Fig. NSG370 - 1210

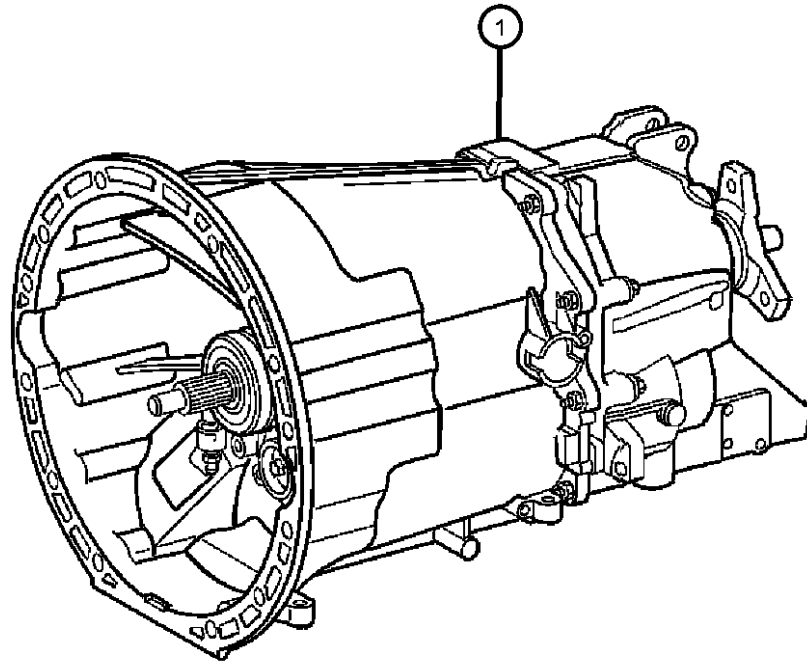
<p><b>NSG370-100</b> Transmission</p> 	<p><b>NSG370-1200</b> Gear Shift Controls</p> 	<p><b>NSG370-200</b> Case &amp; Extension</p> 	<p><b>NSG370-400</b> Gear Train</p> 
<p><b>NSG370-900</b> Forks and Rails</p> 			

**Transmission Assembly  
Figure NSG370-110**

ITEM	PART NUMBER	QTY	LINE	SERIES	BODY	ENGINE	TRANS	TRIM	DESCRIPTION
------	-------------	-----	------	--------	------	--------	-------	------	-------------

NOTE:  
Sales Codes:  
[DEH]=6 Speed Manual Transmission - [NSG370]  
[ED0]=All 2.4L In-Line 4 Cylinder Engines  
[EK0]=All 3.7L V-6 Engines  
[EN0]=All 4/5 Cylinder Turbo Diesel Engines

1									TRANSMISSION, NSG370
	52104702AC	1	J, U			EK0	DEH		With Stamp # [52104702AC]
	52104703AC	1	T			EK0	DEH		With Stamp # [52104703AC]
	52104704AC	1	J, U			EN0	DEH		With Stamp # [52104704AC]



**LIBERTY (KJ)**

SERIES	LINE
H = HIGHLINE	T = JEEP - 2WD
M = MEDIUM	J = JEEP - 4WD
P = PREMIUM	U = JEEP - 4WD (RHD)

BODY  
74 = SPORT UTILITY 4-DR

ENGINE  
EKG = 3.7L V6 Engine  
ENR = 2.8L 4 Cyl Turbo Diesel Engine  
ENJ = 2.5L 4 Cyl 16V Turbo Diesel Engine  
ED1 = 2.4L 4 Cyl DOHC 16v SMPI Engine

TRANSMISSION  
DG6 = 4-Spd. Automatic 42RLE Transmission  
DGV = 4-Spd. Automatic VLP Transmission  
DGQ = 5-Spd Automatic 5-45RFE Transmission  
DEH = 6-Speed Manual NSG370 Transmission  
DDD = 5-Speed HD Manual Transmission  
DDK = 5-Speed HD Manual Transmission

AR = use ase required - = Non illustrated part

2006 KJ

**Front Case & Related Parts  
Figure NSG370-210**

ITEM	PART NUMBER	QTY	LINE	SERIES	BODY	ENGINE	TRANS	TRIM	DESCRIPTION
1	05159142AA	1	T			EK0	DEH		HOUSING, Transmission
		1	J, U			EN0	DEH		
		1	J, U			EK0	DEH		
2	05097594AA	2	T			EK0	DEH		PIN, Dowel
		2	J, U			EN0	DEH		
		2	J, U			EK0	DEH		
3	05099840AA	1	T			EK0	DEH		SEAL
		1	J, U			EN0	DEH		
		1	J, U			EK0	DEH		
4	05098879AA	1	T			EK0	DEH		BEARING
		1	J, U			EN0	DEH		
		1	J, U			EK0	DEH		
5	05098878AA	1	T			EK0	DEH		BEARING, Countershaft
		1	J, U			EN0	DEH		
		1	J, U			EK0	DEH		
6	05096957AA	1	T			EK0	DEH		SCREW
		1	J, U			EN0	DEH		
		1	J, U			EK0	DEH		
7	05099213AA	6	T			EK0	DEH		RETAINER, Bearing

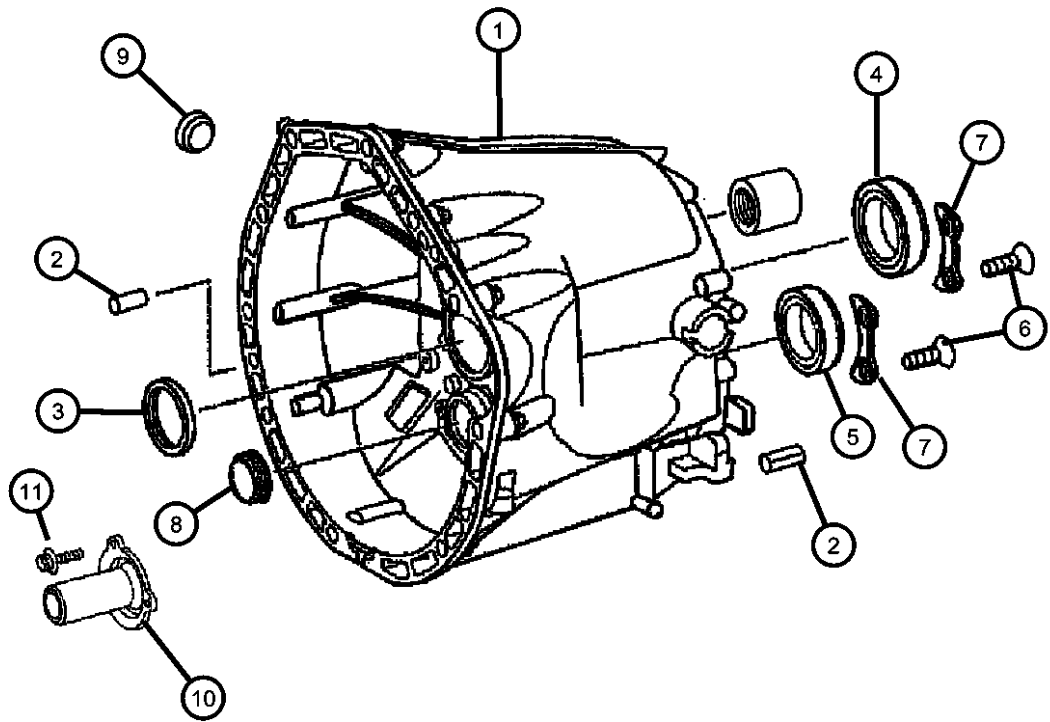
**LIBERTY (KJ)**

SERIES      LINE  
H = HIGHLINE    T = JEEP - 2WD  
M = MEDIUM      J = JEEP - 4WD  
P = PREMIUM      U = JEEP - 4WD (RHD)

BODY  
74 = SPORT UTILITY 4-DR

ENGINE  
EKG = 3.7L V6 Engine  
ENR = 2.8L 4 Cyl Turbo Diesel Engine  
ENJ = 2.5L 4 Cyl 16V Turbo Diesel Engine  
ED1 = 2.4L 4 Cyl DOHC 16V SMPI Engine

TRANSMISSION  
DG6 = 4-Spd. Automatic 42RLE Transmission  
DGV = 4-Spd. Automatic VLP Transmission  
DGQ = 5-Spd Automatic 5-45RFE Transmission  
DEH = 6-Speed Manual NSG370 Transmission  
DDD = 5-Speed HD Manual Transmission  
DDK = 5-Speed HD Manual Transmission

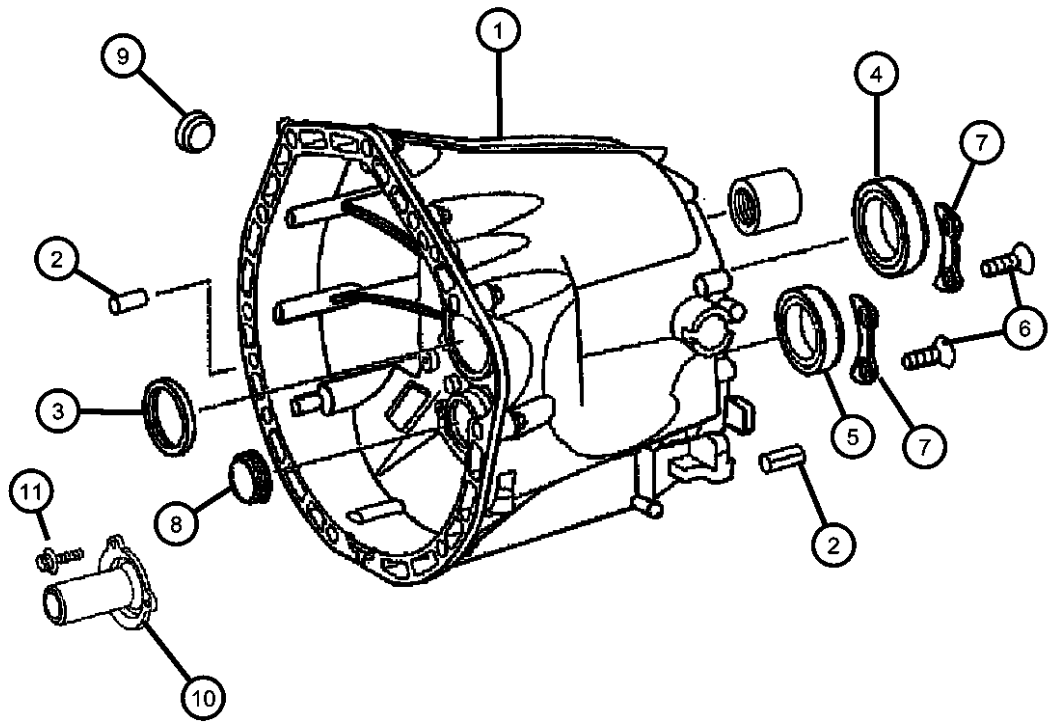


AR = use ase required - = Non illustrated part

2006 KJ

**Front Case & Related Parts  
Figure NSG370-210**

ITEM	PART NUMBER	QTY	LINE	SERIES	BODY	ENGINE	TRANS	TRIM	DESCRIPTION
		6	J, U			EN0	DEH		
		6	J, U			EK0	DEH		
8	05096861AA	1	J, U			EK0	DEH		PLUG, Expansion
		1	T			EK0	DEH		
		1	J, U			EN0	DEH		
9	05097712AB	1	T			EK0	DEH		PLUG, Oil Drain
		1	J, U			EN0	DEH		
		1	J, U			EK0	DEH		
10	05159176AA	1	T			EK0	DEH		GUIDE
		1	J, U			EN0	DEH		
		1	J, U			EK0	DEH		
11	06104005AA	3	T			EK0	DEH		SCREW
		3	J, U			EN0	DEH		
		3	J, U			EK0	DEH		



**LIBERTY (KJ)**

SERIES      LINE  
H = HIGHLINE    T = JEEP - 2WD  
M = MEDIUM     J = JEEP - 4WD  
P = PREMIUM    U = JEEP - 4WD (RHD)

BODY  
74 = SPORT UTILITY 4-DR

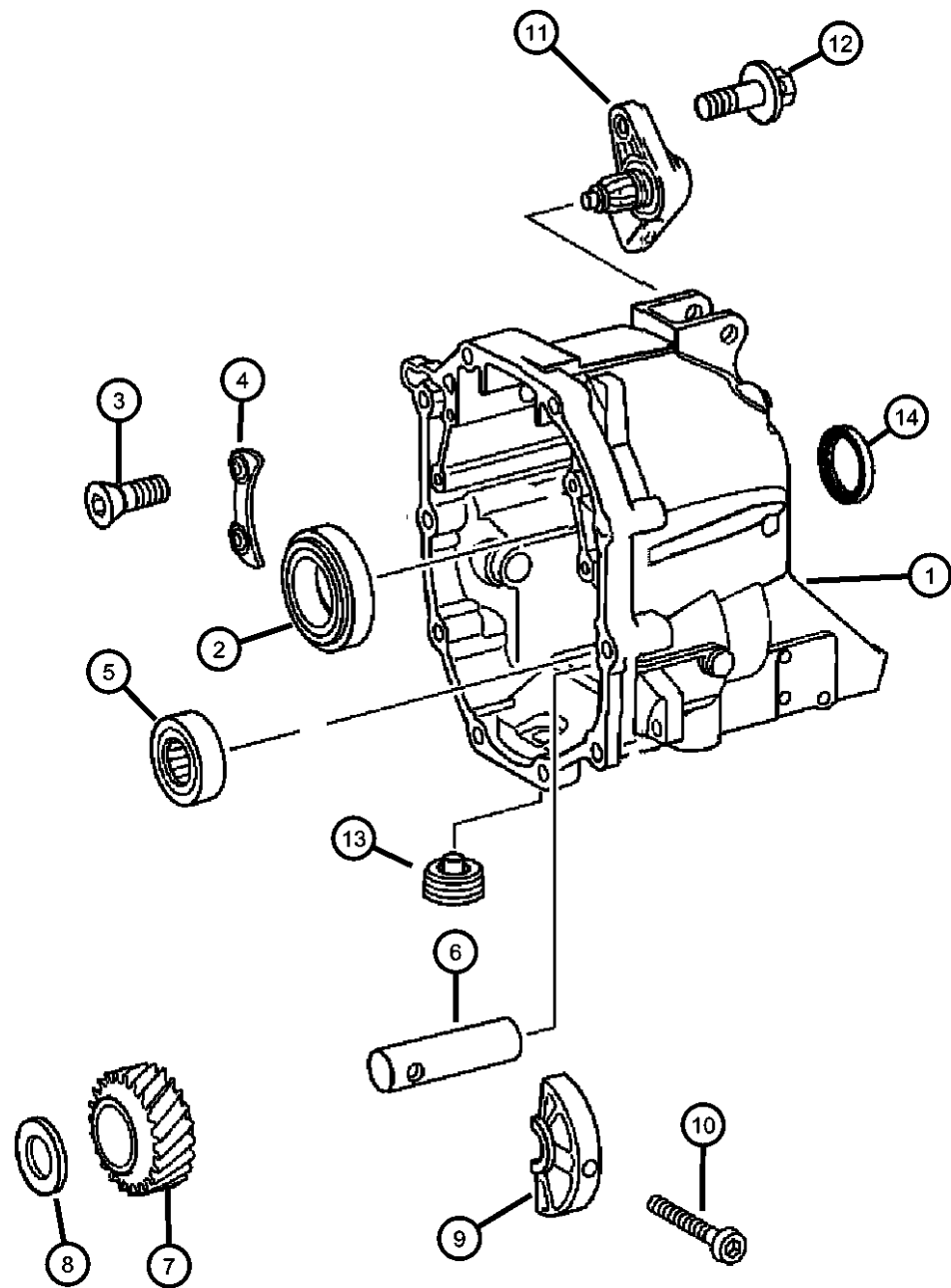
ENGINE      TRANSMISSION  
EKG = 3.7L V6 Engine      DG6 = 4-Spd. Automatic 42RLE  
ENR = 2.8L 4 Cyl Turbo Diesel      Transmission  
Engine      DGV = 4-Spd. Automatic VLP  
ENJ = 2.5L 4 Cyl 16V Turbo      Transmission  
Diesel Engine      DGQ = 5-Spd Automatic 5-45RFE  
ED1 = 2.4L 4 Cyl DOHC 16v      Transmission  
SMPI Engine      DEH = 6-Speed Manual NSG370  
Transmission  
DDD = 5-Speed HD Manual  
Transmission  
DDK = 5-Speed HD Manual  
Transmission

AR = use ase required    - = Non illustrated part

2006 KJ



**Rear Case & Related Parts  
Figure NSG370-220**



ITEM	PART NUMBER	QTY	LINE	SERIES	BODY	ENGINE	TRANS	TRIM	DESCRIPTION
NOTE: Sales Codes: [DEH]=6 Speed Manual Transmission - [NSG370] [EK0]=All 3.7L V-6 Engines [EN0]=All 4/5 Cylinder Turbo Diesel Engines									
1	05159137AA	1	T			EK0	DEH		HOUSING, Transmission
		1	J, U			EN0	DEH		
		1	J, U			EK0	DEH		
2	05096453AA	1	T			EK0	DEH		BEARING
		1	J, U			EN0	DEH		
		1	J, U			EK0	DEH		
3	05096957AA	1	T			EK0	DEH		SCREW
		1	J, U			EN0	DEH		
		1	J, U			EK0	DEH		
4	05099213AA	6	T			EK0	DEH		RETAINER, Bearing
		6	J, U			EN0	DEH		
		6	J, U			EK0	DEH		
5	05101037AA	1	T			EK0	DEH		BEARING
		1	J, U			EN0	DEH		
		1	J, U			EK0	DEH		
6	05096914AA	1	T			EK0	DEH		SHAFT
		1	J, U			EN0	DEH		
		1	J, U			EK0	DEH		
7	05096910AA	1	T			EK0	DEH		GEAR, Reverse

**LIBERTY (KJ)**

SERIES      LINE  
H = HIGHLINE    T = JEEP - 2WD  
M = MEDIUM      J = JEEP - 4WD  
P = PREMIUM      U = JEEP - 4WD (RHD)

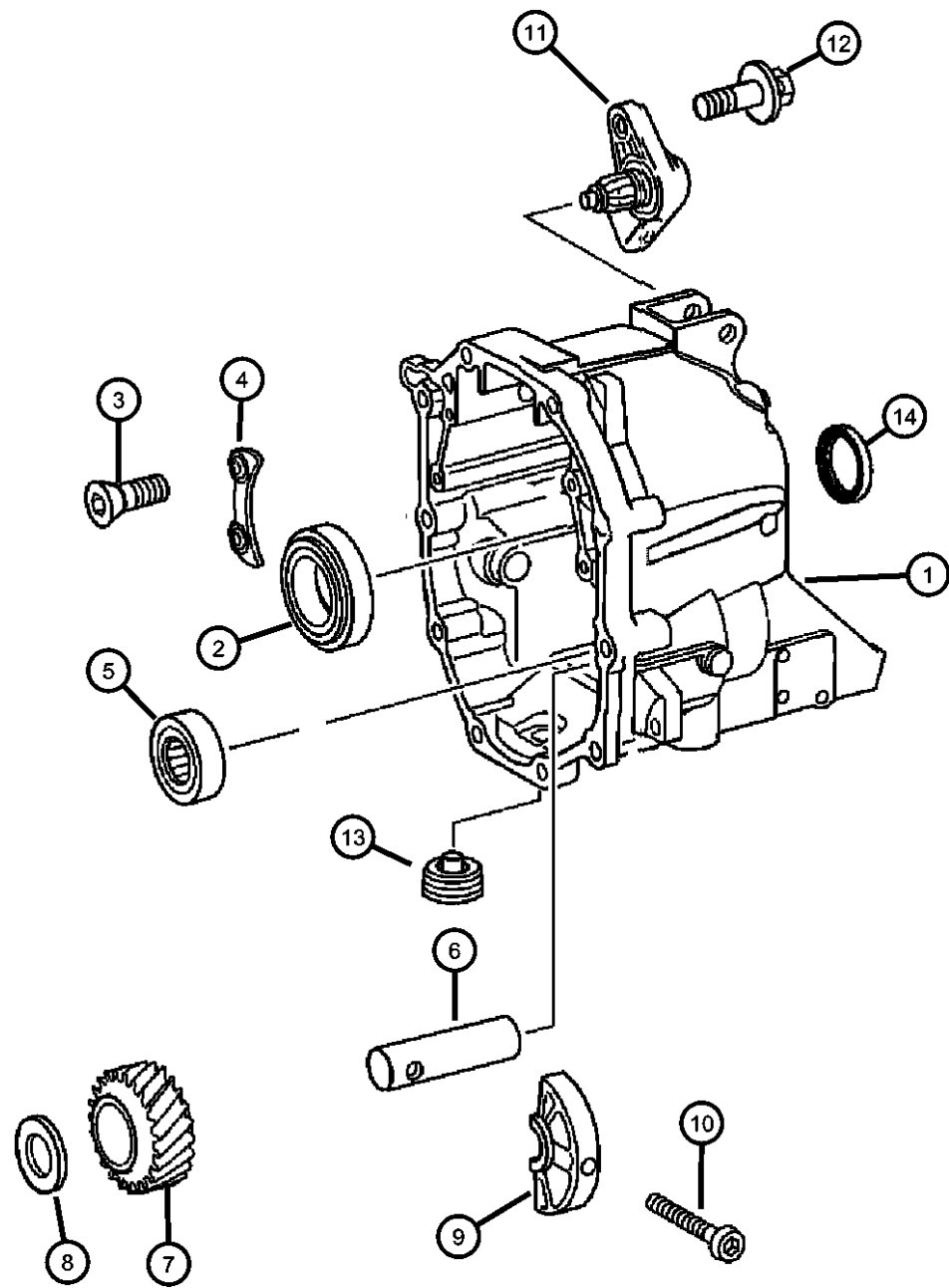
BODY  
74 = SPORT UTILITY 4-DR

ENGINE      TRANSMISSION  
EKG = 3.7L V6 Engine      DG6 = 4-Spd. Automatic 42RLE  
ENR = 2.8L 4 Cyl Turbo Diesel      Transmission  
Engine      DGV = 4-Spd. Automatic VLP  
ENJ = 2.5L 4 Cyl 16V Turbo      Transmission  
Diesel Engine      DGQ = 5-Spd Automatic 5-45RFE  
ED1 = 2.4L 4 Cyl DOHC 16v      Transmission  
SMPI Engine      DEH = 6-Speed Manual NSG370  
Transmission  
DDD = 5-Speed HD Manual  
Transmission  
DDK = 5-Speed HD Manual  
Transmission

AR = use ase required - = Non illustrated part

2006 KJ

Rear Case & Related Parts  
Figure NSG370-220



ITEM	PART NUMBER	QTY	LINE	SERIES	BODY	ENGINE	TRANS	TRIM	DESCRIPTION
		1	J, U			EN0	DEH		
		1	J, U			EK0	DEH		
8	05159168AA	1	J, U			EN0	DEH		WASHER, Thrust
		1	J, U			EK0	DEH		
		1	J, U			ED0	DEH		
9	05101037AA	1	T			EK0	DEH		BEARING
		1	J, U			EN0	DEH		
		1	J, U			EK0	DEH		
10	05096957AA	1	T			EK0	DEH		SCREW
		1	J, U			EN0	DEH		
		1	J, U			EK0	DEH		
11	05099770AA	1	T			EK0	DEH		SWITCH, Back Up Lamp
		1	J, U			EN0	DEH		
		1	J, U			EK0	DEH		
12	06104006AA	1	J, U			EK0	DEH		BOLT
		1	T			ED0	DEH		
		1	J, U			ED0	DEH		
13	05175203AA	1	T			EK0	DEH		PLUG, Oil Drain
		1	J, U			EN0	DEH		
		1	J, U			EK0	DEH		
14	05159175AA	1	J, U			EK0	DEH		SEAL
		1	T			EK0	DEH		
		1	J, U			EN0	DEH		

LIBERTY (KJ)

SERIES LINE  
H = HIGHLINE T = JEEP - 2WD  
M = MEDIUM J = JEEP - 4WD  
P = PREMIUM U = JEEP - 4WD (RHD)

BODY  
74 = SPORT UTILITY 4-DR

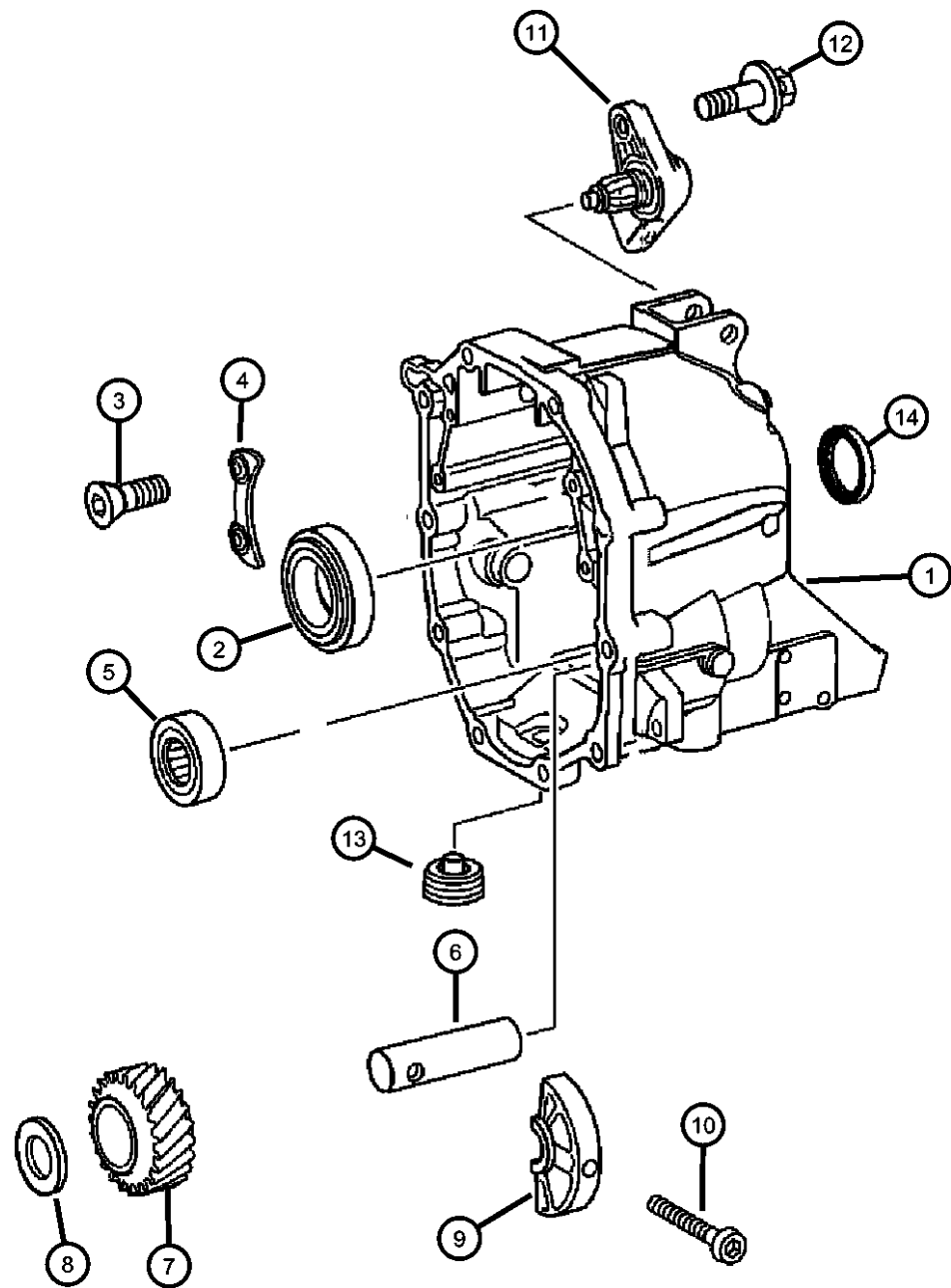
ENGINE TRANSMISSION  
EKG = 3.7L V6 Engine DG6 = 4-Spd. Automatic 42RLE  
ENR = 2.8L 4 Cyl Turbo Diesel Transmission  
Engine DGV = 4-Spd. Automatic VLP  
ENJ = 2.5L 4 Cyl 16V Turbo Transmission  
Diesel Engine DGQ = 5-Spd Automatic 5-45RFE  
ED1 = 2.4L 4 Cyl DOHC 16v Transmission  
SMPI Engine DEH = 6-Speed Manual NSG370  
Transmission  
DDD = 5-Speed HD Manual  
Transmission  
DDK = 5-Speed HD Manual  
Transmission

AR = use ase required - = Non illustrated part

2006 KJ

Rear Case & Related Parts  
Figure NSG370-220

ITEM	PART NUMBER	QTY	LINE	SERIES	BODY	ENGINE	TRANS	TRIM	DESCRIPTION
-15	05159172AA	1	T			EK0	DEH		FLANGE, Drive Shaft
		1	J, U			EK0	DEH		
-16	06104237AA	1	T			EK0	DEH		BOLT Flange To Output Shaft
		1	J, U			EK0	DEH		Flange To Output Shaft
-17	05161073AA	1	J, U			EK0	DEH		WASHER
	05161073AB	1	T			EK0	DEH		



LIBERTY (KJ)

SERIES      LINE  
H = HIGHLINE    T = JEEP - 2WD  
M = MEDIUM     J = JEEP - 4WD  
P = PREMIUM    U = JEEP - 4WD (RHD)

BODY  
74 = SPORT UTILITY 4-DR

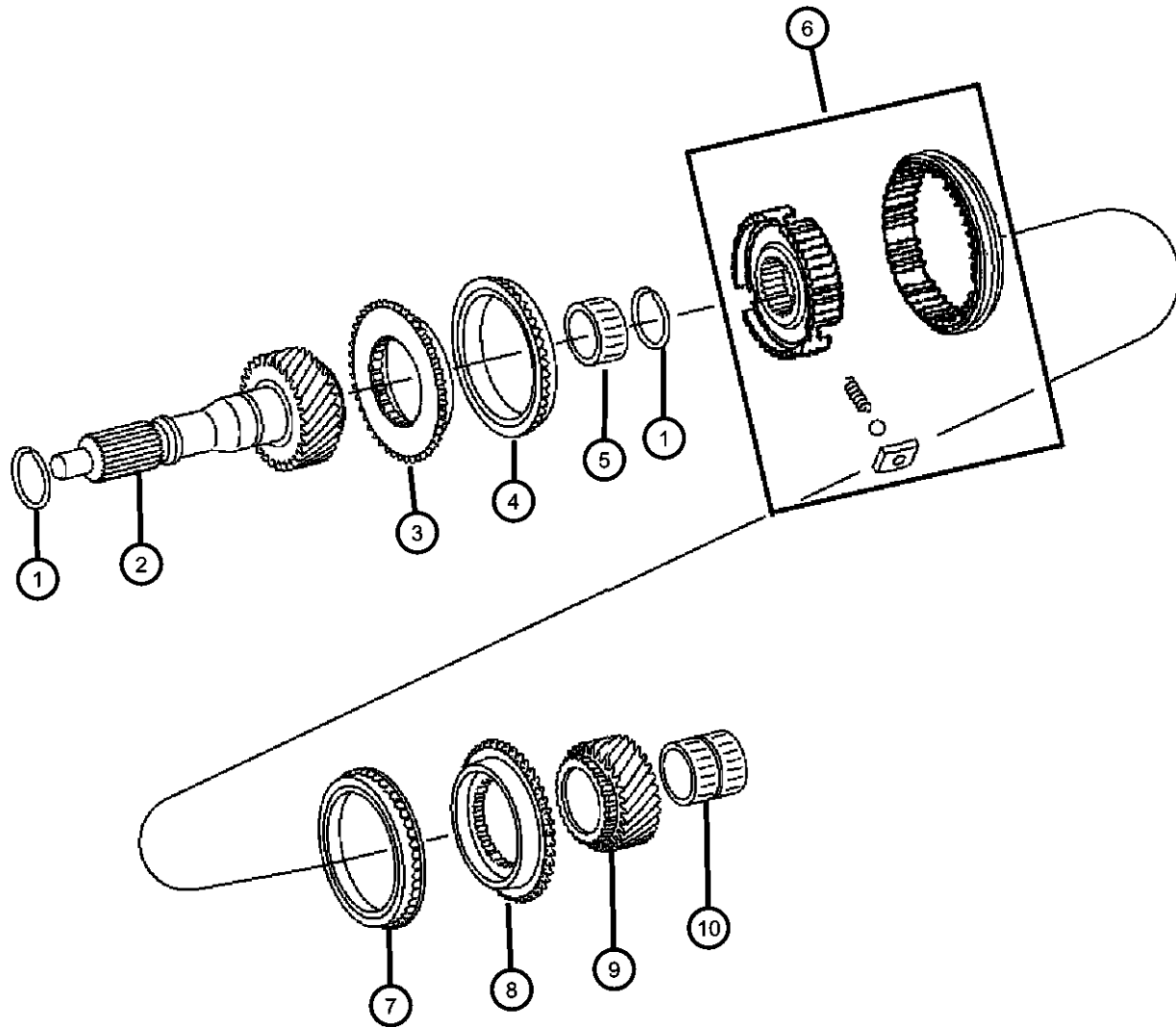
ENGINE      TRANSMISSION  
EKG = 3.7L V6 Engine      DG6 = 4-Spd. Automatic 42RLE  
ENR = 2.8L 4 Cyl Turbo Diesel      Transmission  
Engine      DGV = 4-Spd. Automatic VLP  
ENJ = 2.5L 4 Cyl 16V Turbo      Transmission  
Diesel Engine      DGQ = 5-Spd Automatic 5-45RFE  
ED1 = 2.4L 4 Cyl DOHC 16v      Transmission  
SMPI Engine      DEH = 6-Speed Manual NSG370  
Transmission  
DDD = 5-Speed HD Manual  
Transmission  
DDK = 5-Speed HD Manual  
Transmission

AR = use ase required - = Non illustrated part

**Input Shaft  
Figure NSG370-410**

ITEM	PART NUMBER	QTY	LINE	SERIES	BODY	ENGINE	TRANS	TRIM	DESCRIPTION
------	-------------	-----	------	--------	------	--------	-------	------	-------------

NOTE:  
Sales Codes:  
[DEH]=6 Speed Manual Transmission - [NSG370]  
[EK0]=All 3.7L V-6 Engines  
[EN0]=All 4/5 Cylinder Turbo Diesel Engines



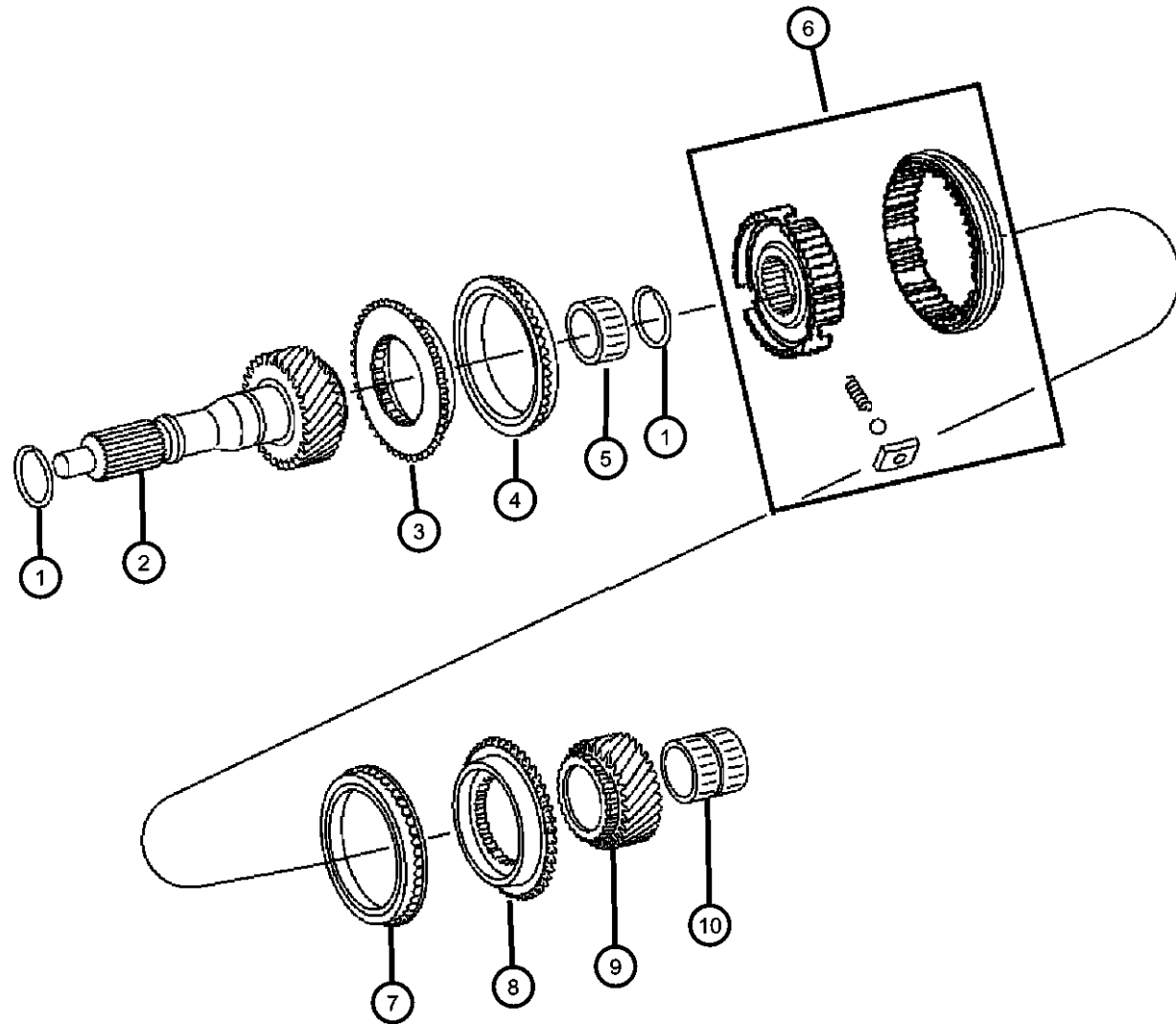
1									RING, Snap
	05099215AA	1	J, U			EN0	DEH		[1.70MM]
		1	J, U			EK0	DEH		[1.70MM]
		1	J, U			ED0	DEH		[1.70MM]
	05099216AA	1	J, U			EN0	DEH		[1.75MM]
		1	J, U			EK0	DEH		[1.75MM]
	05099217AA	1	J, U			EN0	DEH		[1.80MM]
		1	J, U			EK0	DEH		[1.80MM]
		1	J, U			ED0	DEH		[1.80MM]
	05099218AA	1	J, U			EN0	DEH		[1.85MM]
		1	J, U			EK0	DEH		[1.85MM]
		1	J, U			ED0	DEH		[1.85MM]
	05099219AA	1	J, U			EN0	DEH		[1.90MM]
		1	J, U			EK0	DEH		[1.90MM]
		1	J, U			ED0	DEH		[1.90MM]
	05099220AA	1	J, U			EN0	DEH		[1.95MM]
		1	J, U			EK0	DEH		[1.95MM]
		1	J, U			ED0	DEH		[1.95MM]
	05099221AA	1	J, U			ED0	DEH		[2.00MM]
	05099222AA	1	J, U			EN0	DEH		[2.05MM]
		1	J, U			EK0	DEH		[2.05MM]
		1	J, U			ED0	DEH		[2.05MM]
		1	J, U			EN0	DEH		[2.00MM]
		1	J, U			EK0	DEH		[2.00MM]

2 SHAFT, Input

<b>LIBERTY (KJ)</b>				
SERIES	LINE	BODY	ENGINE	TRANSMISSION
H = HIGHLINE	T = JEEP - 2WD	74 = SPORT UTILITY 4-DR	EKG = 3.7L V6 Engine	DG6 = 4-Spd. Automatic 42RLE
M = MEDIUM	J = JEEP - 4WD		ENR = 2.8L 4 Cyl Turbo Diesel Engine	Transmission
P = PREMIUM	U = JEEP - 4WD (RHD)		ENJ = 2.5L 4 Cyl 16V Turbo Diesel Engine	DGV = 4-Spd. Automatic VLP
			ED1 = 2.4L 4 Cyl DOHC 16v SMPI Engine	Transmission
				DGQ = 5-Spd Automatic 5-45RFE
				Transmission
				DEH = 6-Speed Manual NSG370
				Transmission
				DDD = 5-Speed HD Manual
				Transmission
				DDK = 5-Speed HD Manual
				Transmission

AR = use ase required - = Non illustrated part

**Input Shaft  
Figure NSG370-410**



ITEM	PART NUMBER	QTY	LINE	SERIES	BODY	ENGINE	TRANS	TRIM	DESCRIPTION
	05159171AA	1	T			EK0	DEH		
		1	J, U			EN0	DEH		
		1	J, U			EK0	DEH		
3									STOP RING, Synchronizer
	05099265AA	1	J, U			EN0	DEH		
		2	J, U			EK0	DEH		
		1	T			EK0	DEH		
4									RING, RING-SYNCHRONIZER
	05098736AA	1	T			EK0	DEH		
		1	J, U			EK0	DEH		
		1	J, U			EN0	DEH		
5									BEARING, Needle
	05096457AA	1	T			EK0	DEH		
		1	J, U			EN0	DEH		
		1	J, U			EK0	DEH		
6									SYNCHRONIZER, Fifth and Sixth
	05099206AA	1	T			EK0	DEH		
		1	J, U			EN0	DEH		
		1	J, U			EK0	DEH		
7									RING, RING-SYNCHRONIZER
	05098736AA	1	T			EK0	DEH		
		1	J, U			EK0	DEH		
		1	J, U			EN0	DEH		
8									STOP RING, Synchronizer
	05159165AA	1	T			EK0	DEH		
		1	J, U			EN0	DEH		
		1	J, U			EK0	DEH		
9									GEAR, Sixth
	05099794AA	1	T			EK0	DEH		
		1	J, U			EN0	DEH		

**LIBERTY (KJ)**

SERIES      LINE  
H = HIGHLINE    T = JEEP - 2WD  
M = MEDIUM     J = JEEP - 4WD  
P = PREMIUM    U = JEEP - 4WD (RHD)

BODY  
74 = SPORT UTILITY 4-DR

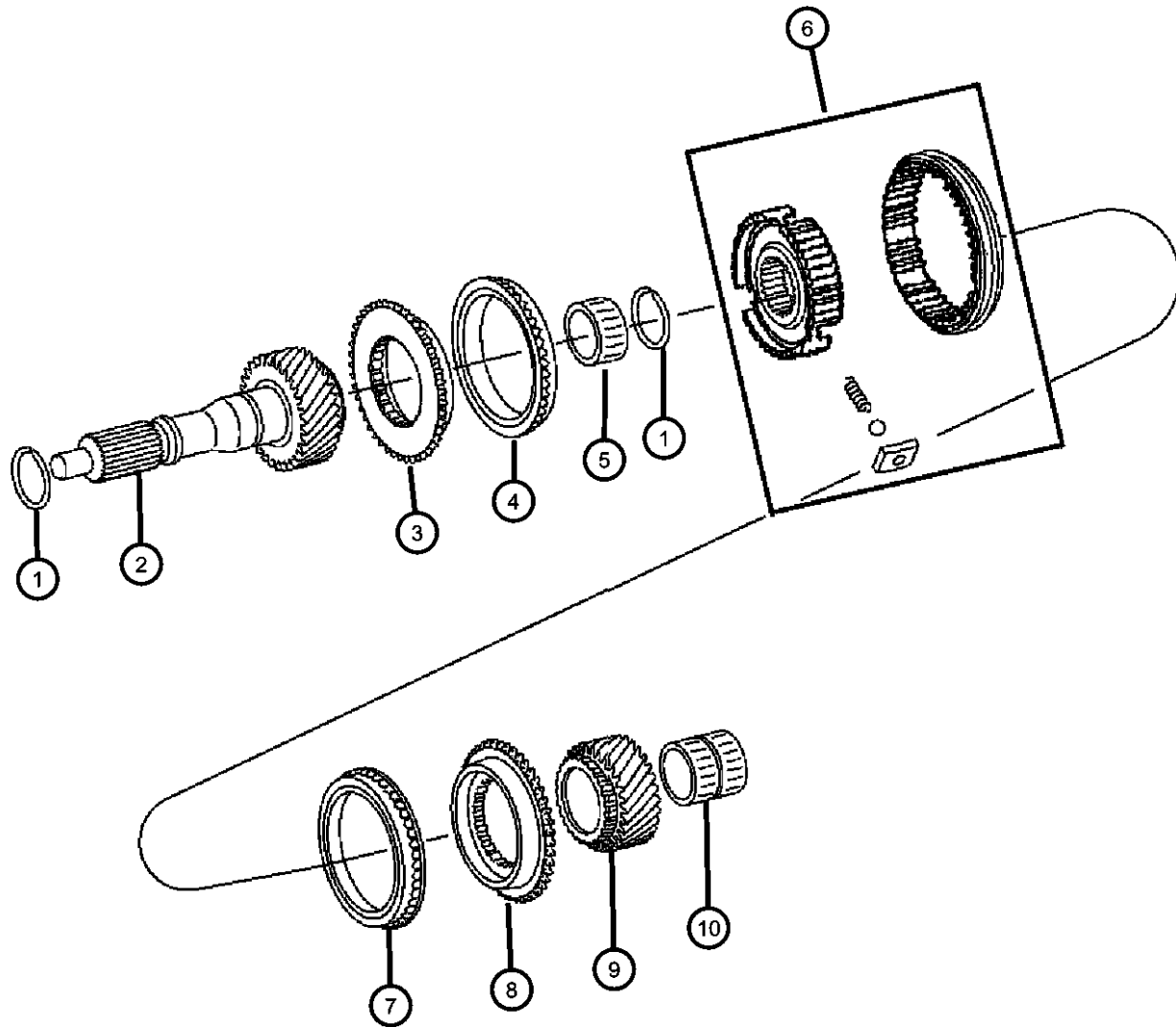
ENGINE  
EKG = 3.7L V6 Engine  
ENR = 2.8L 4 Cyl Turbo Diesel Engine  
ENJ = 2.5L 4 Cyl 16V Turbo Diesel Engine  
ED1 = 2.4L 4 Cyl DOHC 16v SMPI Engine

TRANSMISSION  
DG6 = 4-Spd. Automatic 42RLE Transmission  
DGV = 4-Spd. Automatic VLP Transmission  
DGQ = 5-Spd Automatic 5-45RFE Transmission  
DEH = 6-Speed Manual NSG370 Transmission  
DDD = 5-Speed HD Manual Transmission  
DDK = 5-Speed HD Manual Transmission

AR = use ase required - = Non illustrated part

**Input Shaft  
Figure NSG370-410**

ITEM	PART NUMBER	QTY	LINE	SERIES	BODY	ENGINE	TRANS	TRIM	DESCRIPTION
		1	J, U			EK0	DEH		
10	05096456AA	1	T			EK0	DEH		BEARING, Needle
		1	J, U			EN0	DEH		
		1	J, U			EK0	DEH		



**LIBERTY (KJ)**

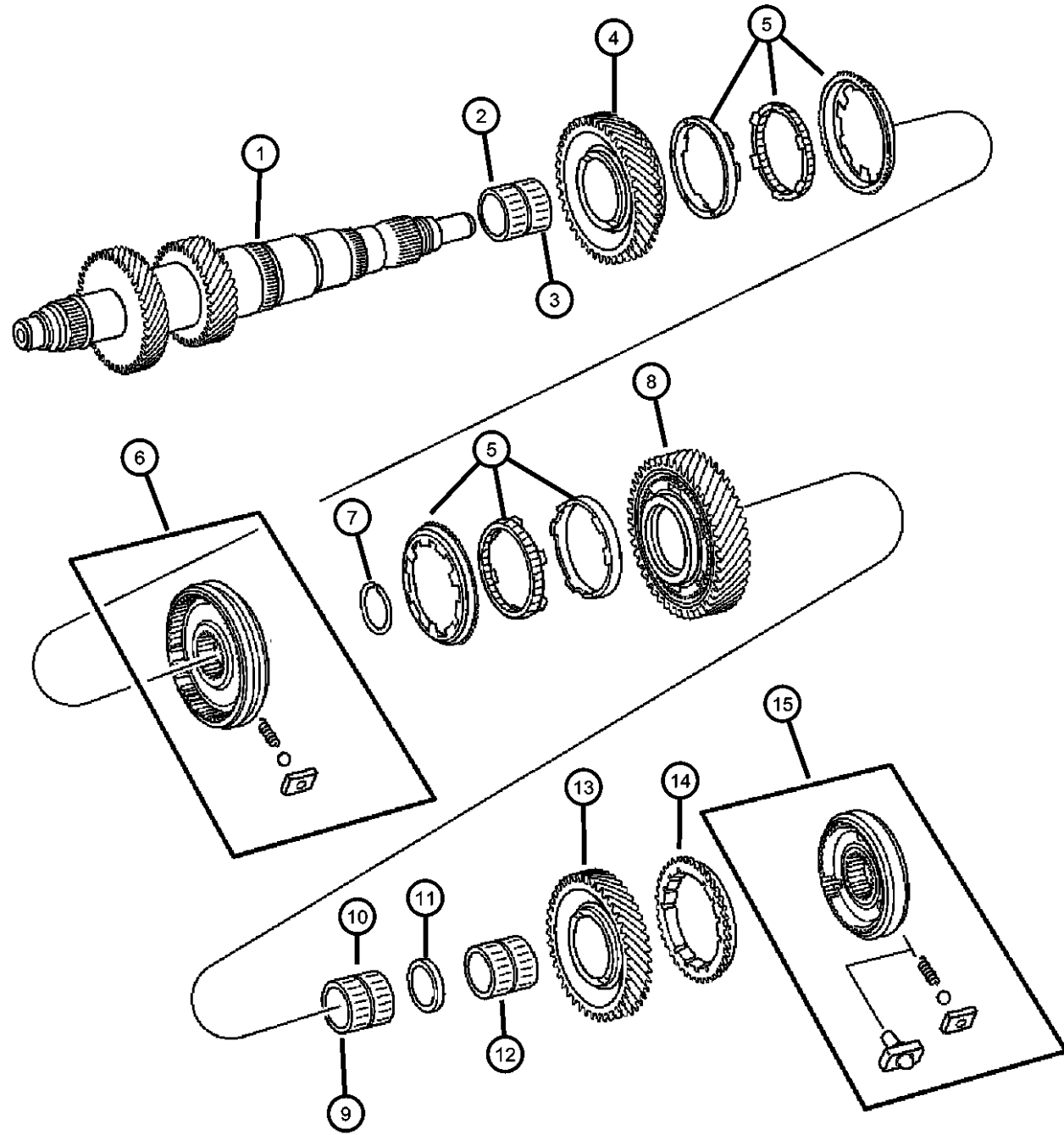
SERIES      LINE  
H = HIGHLINE    T = JEEP - 2WD  
M = MEDIUM     J = JEEP - 4WD  
P = PREMIUM    U = JEEP - 4WD (RHD)

BODY  
74 = SPORT UTILITY 4-DR

ENGINE      TRANSMISSION  
EKG = 3.7L V6 Engine      DG6 = 4-Spd. Automatic 42RLE  
ENR = 2.8L 4 Cyl Turbo Diesel Engine      DGV = 4-Spd. Automatic VLP  
ENJ = 2.5L 4 Cyl 16V Turbo Diesel Engine      DGQ = 5-Spd Automatic 5-45RFE  
ED1 = 2.4L 4 Cyl DOHC 16v SMPI Engine      DEH = 6-Speed Manual NSG370  
Transmission  
DDD = 5-Speed HD Manual Transmission  
DDK = 5-Speed HD Manual Transmission

AR = use ase required - = Non illustrated part

**Main Shaft  
Figure NSG370-420**



ITEM	PART NUMBER	QTY	LINE	SERIES	BODY	ENGINE	TRANS	TRIM	DESCRIPTION
------	-------------	-----	------	--------	------	--------	-------	------	-------------

NOTE:  
Sales Codes:  
[DEH]=6 Speed Manual Transmission - [NSG370]  
[ED0]=All 2.4L In-Line 4 Cylinder Engines  
[EK0]=All 3.7L V-6 Engines  
[EN0]=All 4/5 Cylinder Turbo Diesel Engines

1	05159163AA	1	J, U			EN0	DEH		MAINSHAFT, Transmission
		1	J, U			EK0	DEH		
		1	J, U			ED0	DEH		
	05159164AA	1	T			ED0	DEH		
		1	T			EK0	DEH		
2	05096453AA	1	T			EK0	DEH		BEARING
		1	J, U			EN0	DEH		
		1	J, U			EK0	DEH		
		1	T			ED0	DEH		
		1	J, U			ED0	DEH		
3	05096453AA	1	T			EK0	DEH		BEARING
		1	J, U			EN0	DEH		
		1	J, U			EK0	DEH		
		1	T			ED0	DEH		
		1	U, J			ED0	DEH		
4	05101448AA	1	T			EK0	DEH		GEAR, Second
		1	J, U			EN0	DEH		
		1	J, U			EK0	DEH		
		1	T			ED0	DEH		
		1	J, U			ED0	DEH		
5	05099259AA	1	T			EK0	DEH		SYNCHRONIZER, Second Gear

**LIBERTY (KJ)**

SERIES      LINE  
H = HIGHLINE    T = JEEP - 2WD  
M = MEDIUM     J = JEEP - 4WD  
P = PREMIUM    U = JEEP - 4WD (RHD)

BODY  
74 = SPORT UTILITY 4-DR

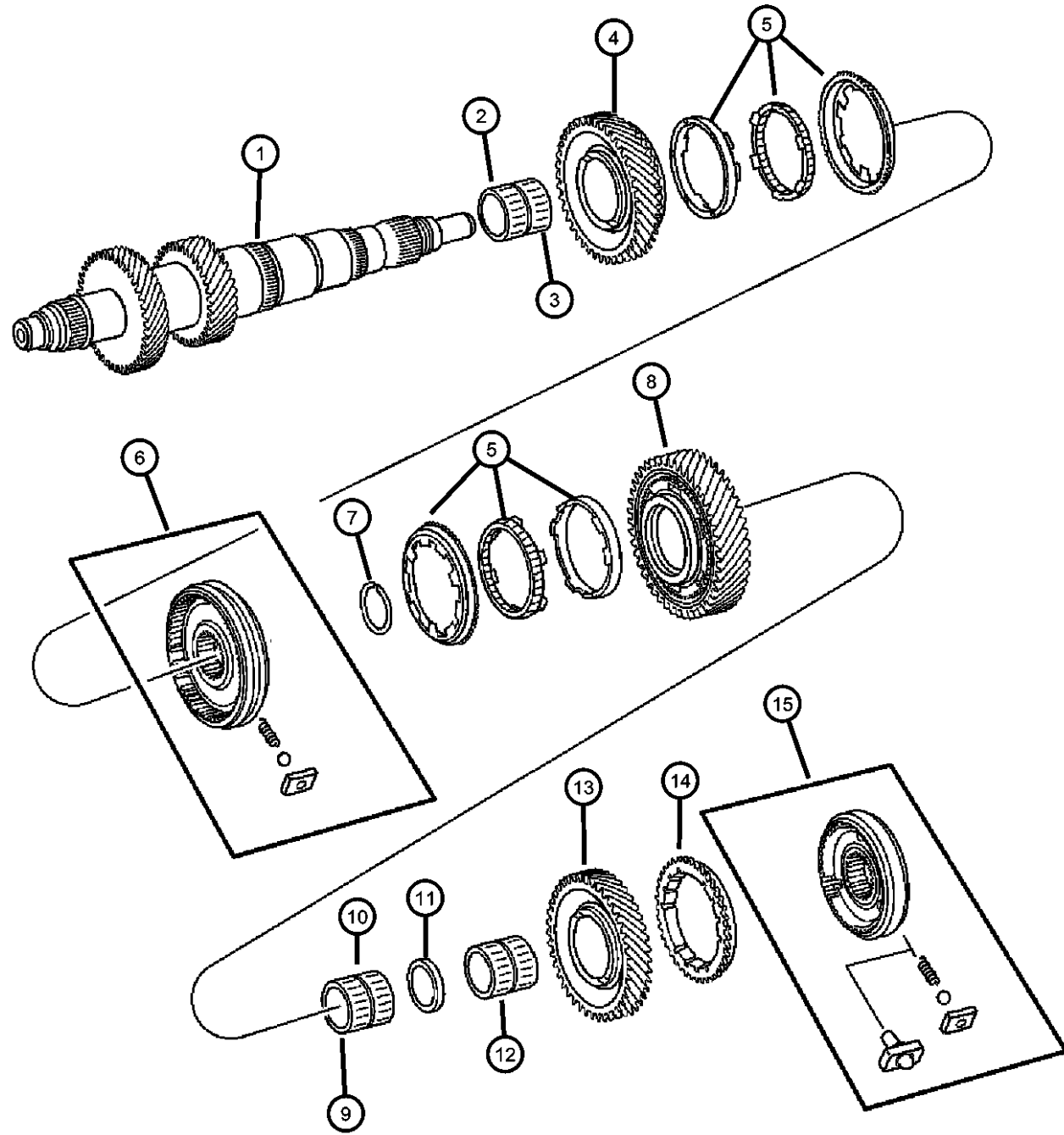
ENGINE  
EKG = 3.7L V6 Engine  
ENR = 2.8L 4 Cyl Turbo Diesel Engine  
ENJ = 2.5L 4 Cyl 16V Turbo Diesel Engine  
ED1 = 2.4L 4 Cyl DOHC 16v SMPI Engine

TRANSMISSION  
DG6 = 4-Spd. Automatic 42RLE Transmission  
DGV = 4-Spd. Automatic VLP Transmission  
DGQ = 5-Spd Automatic 5-45RFE Transmission  
DEH = 6-Speed Manual NSG370 Transmission  
DDD = 5-Speed HD Manual Transmission  
DDK = 5-Speed HD Manual Transmission

AR = use ase required - = Non illustrated part

2006 KJ

**Main Shaft  
Figure NSG370-420**



ITEM	PART NUMBER	QTY	LINE	SERIES	BODY	ENGINE	TRANS	TRIM	DESCRIPTION
		1	J, U			EN0	DEH		
		1	J, U			EK0	DEH		
		1	T			ED0	DEH		
		1	J, U			ED0	DEH		
6									SYNCHRONIZER, First and Second
	05137639AA	1	T			EK0	DEH		
		1	J, U			EN0	DEH		
		1	J, U			EK0	DEH		
		1	T			ED0	DEH		
		1	J, U			ED0	DEH		
7		1							SNAP RING, (NOT SERVICED)
8									GEAR, First
	05101449AA	1	T			EK0	DEH		
		1	J, U			EN0	DEH		
		1	J, U			EK0	DEH		
		1	T			ED0	DEH		
		1	J, U			ED0	DEH		
9									BEARING, Needle
	05096452AA	1	T			EK0	DEH		
		1	J, U			EN0	DEH		
		1	J, U			EK0	DEH		
		1	T			ED0	DEH		
		1	J, U			ED0	DEH		
10									BEARING, Needle
	05096452AA	1	T			EK0	DEH		
		1	J, U			EN0	DEH		
		1	J, U			EK0	DEH		
		1	T			ED0	DEH		
		1	J, U			ED0	DEH		

**LIBERTY (KJ)**  
 SERIES                      LINE  
 H = HIGHLINE            T = JEEP - 2WD  
 M = MEDIUM             J = JEEP - 4WD  
 P = PREMIUM             U = JEEP - 4WD (RHD)

**BODY**  
 74 = SPORT UTILITY 4-DR

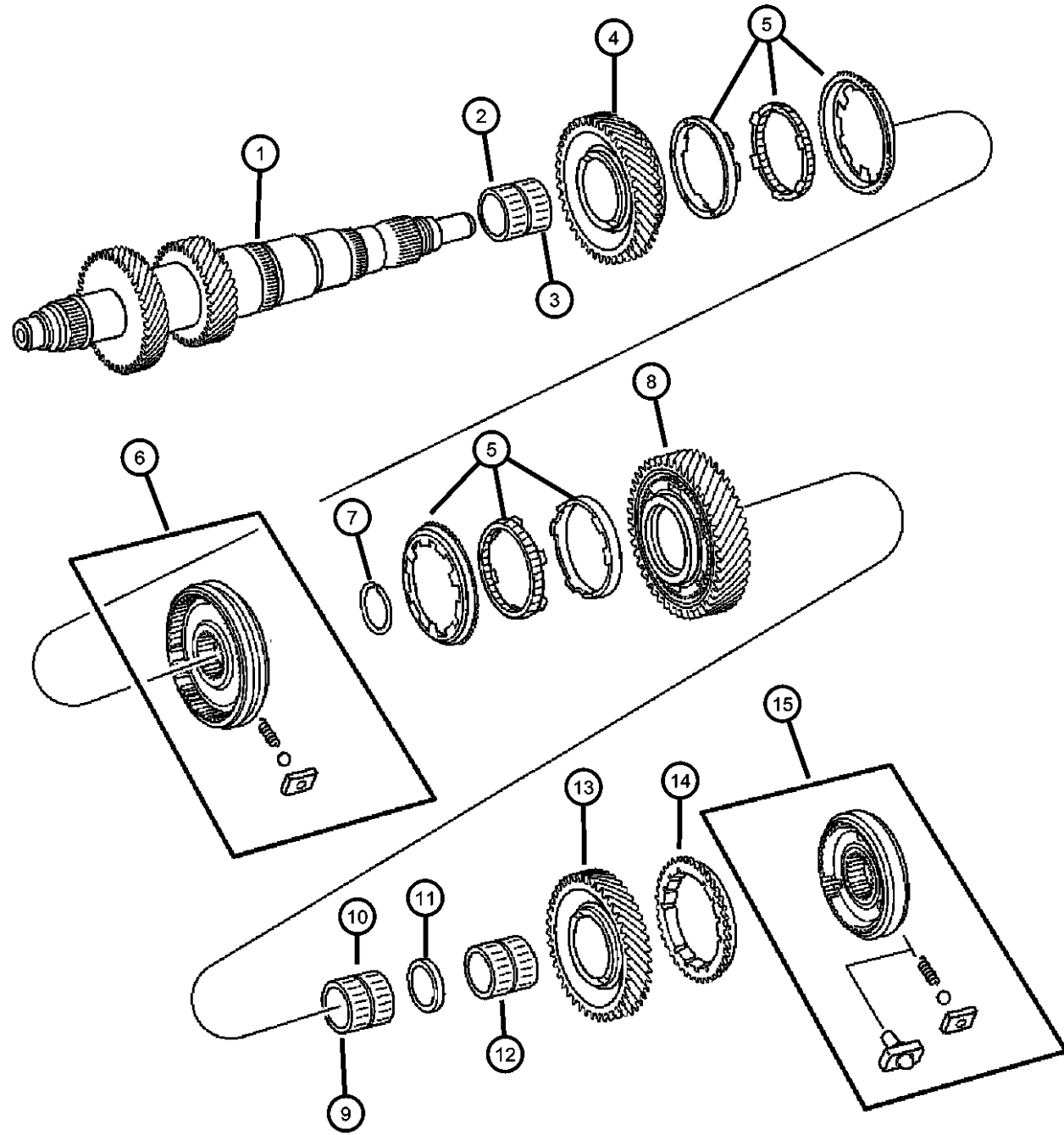
**ENGINE**  
 EKG = 3.7L V6 Engine  
 ENR = 2.8L 4 Cyl Turbo Diesel Engine  
 ENJ = 2.5L 4 Cyl 16V Turbo Diesel Engine  
 ED1 = 2.4L 4 Cyl DOHC 16v SMPI Engine

**TRANSMISSION**  
 DG6 = 4-Spd. Automatic 42RLE Transmission  
 DGV = 4-Spd. Automatic VLP Transmission  
 DGQ = 5-Spd Automatic 5-45RFE Transmission  
 DEH = 6-Speed Manual NSG370 Transmission  
 DDD = 5-Speed HD Manual Transmission  
 DDK = 5-Speed HD Manual Transmission

AR = use ase required - = Non illustrated part



**Main Shaft  
Figure NSG370-420**



ITEM	PART NUMBER	QTY	LINE	SERIES	BODY	ENGINE	TRANS	TRIM	DESCRIPTION
11	05098081AA	1	T			EK0	DEH		WASHER, Thrust
		1	T			ED0	DEH		
	05159168AA	1	J, U			EN0	DEH		
		1	J, U			EK0	DEH		
		1	J, U			ED0	DEH		
12	05096359AA	1	T			EK0	DEH		BEARING, Needle
		1	J, U			EN0	DEH		
		1	J, U			EK0	DEH		
		1	T			ED0	DEH		
		1	J, U			ED0	DEH		
13	05134496AA	1	J, U			EN0	DEH		GEAR, Reverse Idler
		1	T			ED0	DEH		
		1	J, U			ED0	DEH		
		1	J, U			EK0	DEH		
		1	T			EK0	DEH		
14	05134500AA	1	J, U			EK0	DEH		RING, RING-SYNCHRONIZER
		1	T			EK0	DEH		
		1	J, U			EN0	DEH		
		1	T			ED0	DEH		
		1	J, U			ED0	DEH		
15	05134498AA	1	T			EK0	DEH		SYNCHRONIZER, Reverse
		1	J, U			EN0	DEH		
		1	J, U			EK0	DEH		
		1	T			ED0	DEH		
		1	J, U			ED0	DEH		

**LIBERTY (KJ)**

**SERIES**

H = HIGHLINE

M = MEDIUM

P = PREMIUM

**LINE**

T = JEEP - 2WD

J = JEEP - 4WD

U = JEEP - 4WD (RHD)

**BODY**

74 = SPORT UTILITY 4-DR

**ENGINE**

EKG = 3.7L V6 Engine

ENR = 2.8L 4 Cyl Turbo Diesel Engine

ENJ = 2.5L 4 Cyl 16V Turbo Diesel Engine

ED1 = 2.4L 4 Cyl DOHC 16v SMPI Engine

**TRANSMISSION**

DG6 = 4-Spd. Automatic 42RLE

Transmission

DGV = 4-Spd. Automatic VLP

Transmission

DGQ = 5-Spd Automatic 5-45RFE

Transmission

DEH = 6-Speed Manual NSG370

Transmission

DDD = 5-Speed HD Manual

Transmission

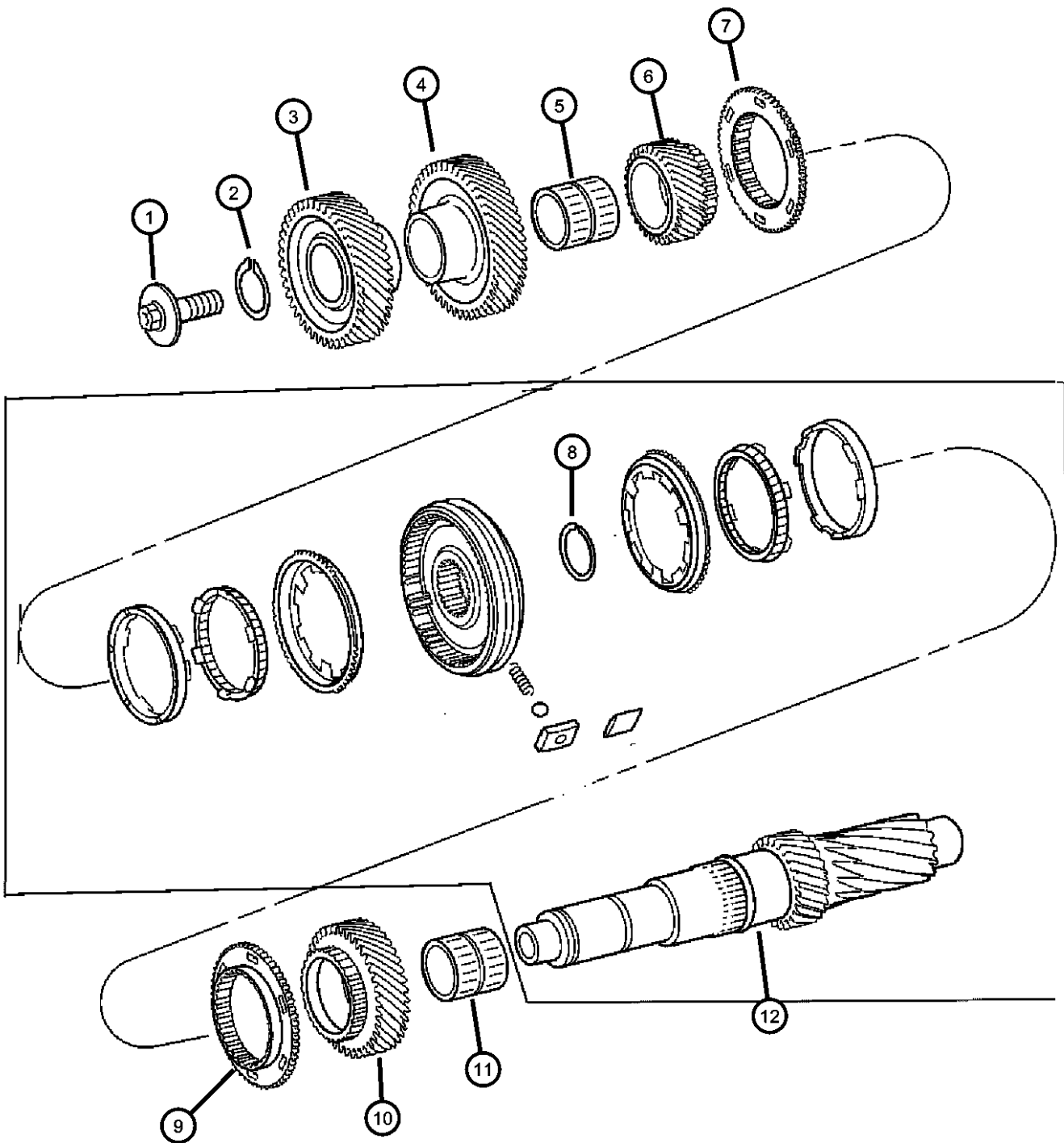
DDK = 5-Speed HD Manual

Transmission

AR = use ase required - = Non illustrated part

2006 KJ

**Countershaft  
Figure NSG370-430**



ITEM	PART NUMBER	QTY	LINE	SERIES	BODY	ENGINE	TRANS	TRIM	DESCRIPTION
1	05098084AA	1	T			EK0	DEH		SCREW
		1	J, U			EN0	DEH		
		1	J, U			EK0	DEH		
2	05099268AA	1	T			EK0	DEH		SNAP RING
		1	J, U			EN0	DEH		
		1	J, U			EK0	DEH		
3	05096911AA	1	T			EK0	DEH		GEAR, Countershaft
		1	J, U			EN0	DEH		
		1	J, U			EK0	DEH		
4	05099795AA	1	T			EK0	DEH		GEAR, Sixth
		1	J, U			EN0	DEH		
		1	J, U			EK0	DEH		
5	05096454AA	1	T			EK0	DEH		BEARING, Needle
		1	J, U			EN0	DEH		
		1	J, U			EK0	DEH		
6	05098348AA	1	T			EK0	DEH		GEAR, Third
		1	J, U			EN0	DEH		
		1	J, U			EK0	DEH		
7	05159165AA	1	T			EK0	DEH		STOP RING, Synchronizer

**LIBERTY (KJ)**

SERIES      LINE  
H = HIGHLINE    T = JEEP - 2WD  
M = MEDIUM      J = JEEP - 4WD  
P = PREMIUM      U = JEEP - 4WD (RHD)

BODY  
74 = SPORT UTILITY 4-DR

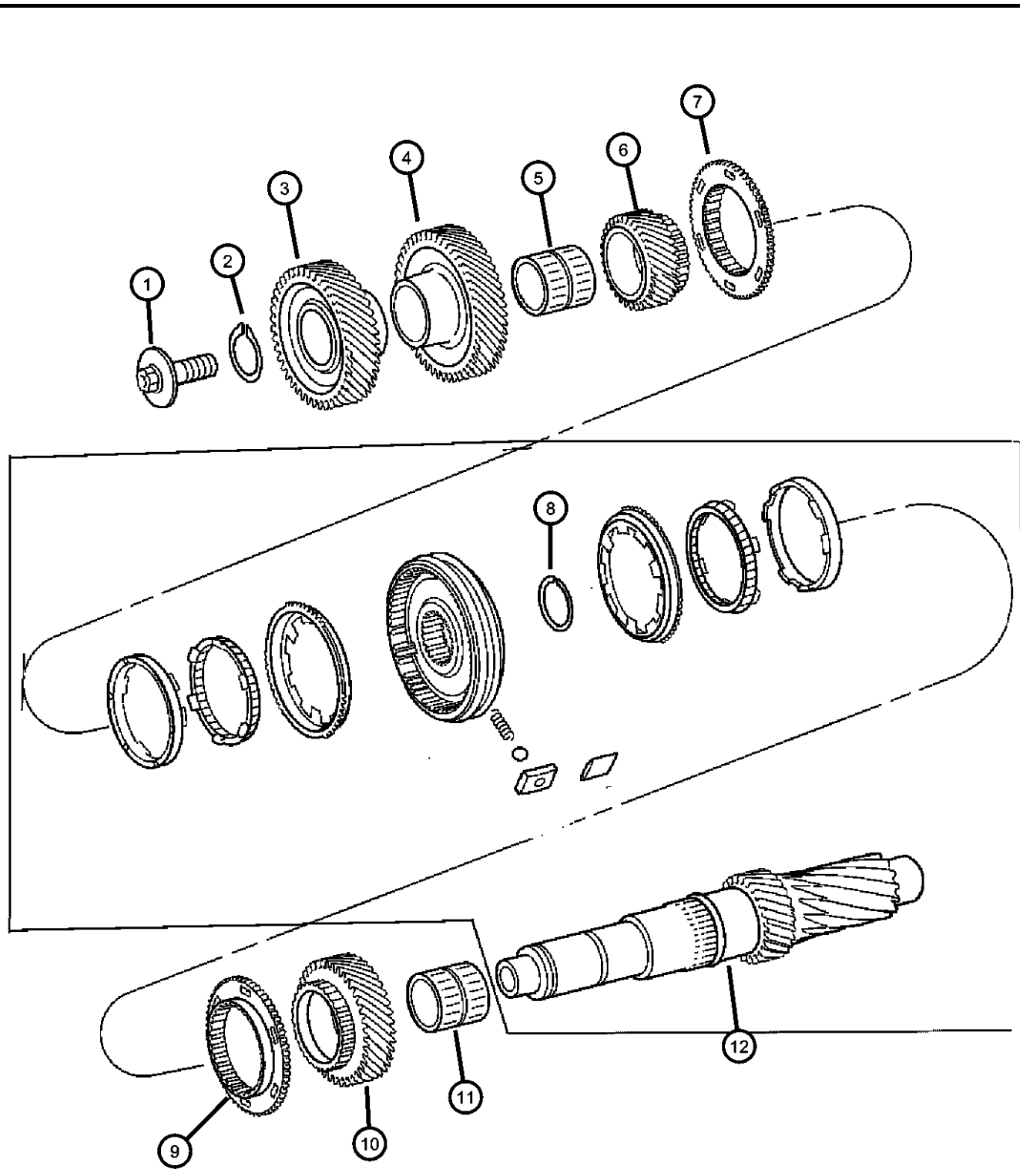
ENGINE  
EKG = 3.7L V6 Engine  
ENR = 2.8L 4 Cyl Turbo Diesel Engine  
ENJ = 2.5L 4 Cyl 16V Turbo Diesel Engine  
ED1 = 2.4L 4 Cyl DOHC 16v SMPI Engine

TRANSMISSION  
DG6 = 4-Spd. Automatic 42RLE Transmission  
DGV = 4-Spd. Automatic VLP Transmission  
DGQ = 5-Spd Automatic 5-45RFE Transmission  
DEH = 6-Speed Manual NSG370 Transmission  
DDD = 5-Speed HD Manual Transmission  
DDK = 5-Speed HD Manual Transmission

AR = use ase required - = Non illustrated part

2006 KJ

**Countershaft  
Figure NSG370-430**



ITEM	PART NUMBER	QTY	LINE	SERIES	BODY	ENGINE	TRANS	TRIM	DESCRIPTION
		1	J, U			EN0	DEH		
		1	J, U			EK0	DEH		
8		1							SNAP RING, (NOT SERVICED)
9									STOP RING, Synchronizer
	05159165AA	1	T			EK0	DEH		
		1	J, U			EN0	DEH		
		1	J, U			EK0	DEH		
10									GEAR, Fourth
	05098800AA	1	T			EK0	DEH		
		1	J, U			EN0	DEH		
		1	J, U			EK0	DEH		
11									BEARING, Needle
	05096455AA	1	T			EK0	DEH		
		1	J, U			EN0	DEH		
		1	J, U			EK0	DEH		
12									COUNTERSHAFT, Includes 3/4 Synchronizer
	05159162AA	1	T			EK0	DEH		
		1	J, U			EN0	DEH		
		1	J, U			EK0	DEH		
-13									SLINGER, Oil
	05159167AA	1	T			EK0	DEH		
		1	J, U			EN0	DEH		
		1	J, U			EK0	DEH		

**LIBERTY (KJ)**

SERIES      LINE  
H = HIGHLINE    T = JEEP - 2WD  
M = MEDIUM      J = JEEP - 4WD  
P = PREMIUM      U = JEEP - 4WD (RHD)

BODY  
74 = SPORT UTILITY 4-DR

ENGINE  
EKG = 3.7L V6 Engine  
ENR = 2.8L 4 Cyl Turbo Diesel Engine  
ENJ = 2.5L 4 Cyl 16V Turbo Diesel Engine  
ED1 = 2.4L 4 Cyl DOHC 16v SMPI Engine

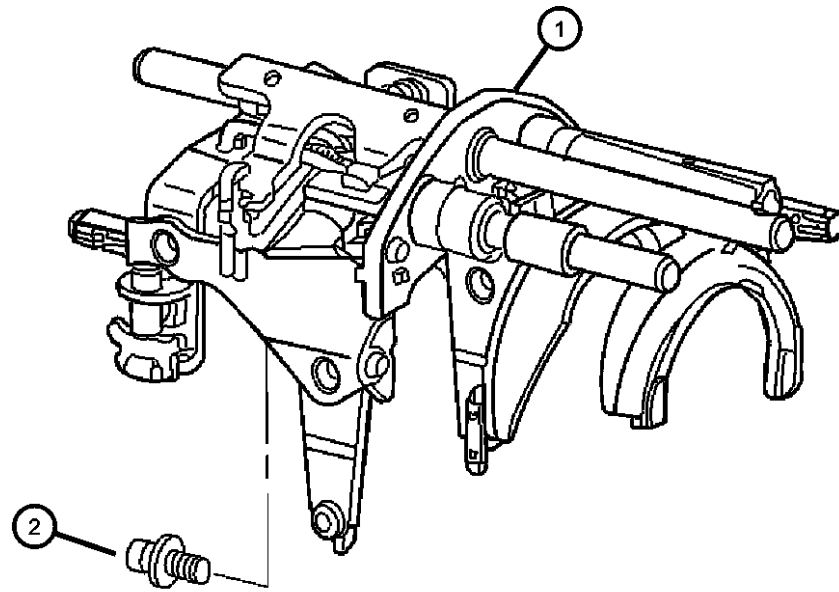
TRANSMISSION  
DG6 = 4-Spd. Automatic 42RLE Transmission  
DGV = 4-Spd. Automatic VLP Transmission  
DGQ = 5-Spd Automatic 5-45RFE Transmission  
DEH = 6-Speed Manual NSG370 Transmission  
DDD = 5-Speed HD Manual Transmission  
DDK = 5-Speed HD Manual Transmission

AR = use ase required    - = Non illustrated part

Fork & Rail  
Figure NSG370-910

ITEM	PART NUMBER	QTY	LINE	SERIES	BODY	ENGINE	TRANS	TRIM	DESCRIPTION
------	-------------	-----	------	--------	------	--------	-------	------	-------------

NOTE: Individual Parts For The Fork Assembly Are Not Serviced  
Sales Codes:  
[DEH]=6 Speed Manual Transmission - [NSG370]  
[EK0]=All 3.7L V-6 Engines  
[EN0]=All 4/5 Cylinder Turbo Diesel Engines



1									FORK AND RAIL ASSY, Manual Transmission
	05161076AA	1	J, U			EK0	DEH		
		1	T			EK0	DEH		
		1	J, U			EN0	DEH		
2									SCREW
	05098084AA	1	T			EK0	DEH		
		1	J, U			EN0	DEH		
		1	J, U			EK0	DEH		

LIBERTY (KJ)

SERIES      LINE  
H = HIGHLINE    T = JEEP - 2WD  
M = MEDIUM     J = JEEP - 4WD  
P = PREMIUM    U = JEEP - 4WD (RHD)

BODY  
74 = SPORT UTILITY 4-DR

ENGINE      TRANSMISSION  
EKG = 3.7L V6 Engine      DG6 = 4-Spd. Automatic 42RLE  
ENR = 2.8L 4 Cyl Turbo Diesel Engine      DG6 = 4-Spd. Automatic 42RLE  
ENJ = 2.5L 4 Cyl 16V Turbo Diesel Engine      DG6 = 4-Spd. Automatic VLP  
ED1 = 2.4L 4 Cyl DOHC 16v SMPI Engine      DGQ = 5-Spd Automatic 5-45RFE  
DEH = 6-Speed Manual NSG370 Transmission  
DDD = 5-Speed HD Manual Transmission  
DDK = 5-Speed HD Manual Transmission

AR = use ase required - = Non illustrated part

2006 KJ

**Gearshift Control  
Figure NSG370-1210**

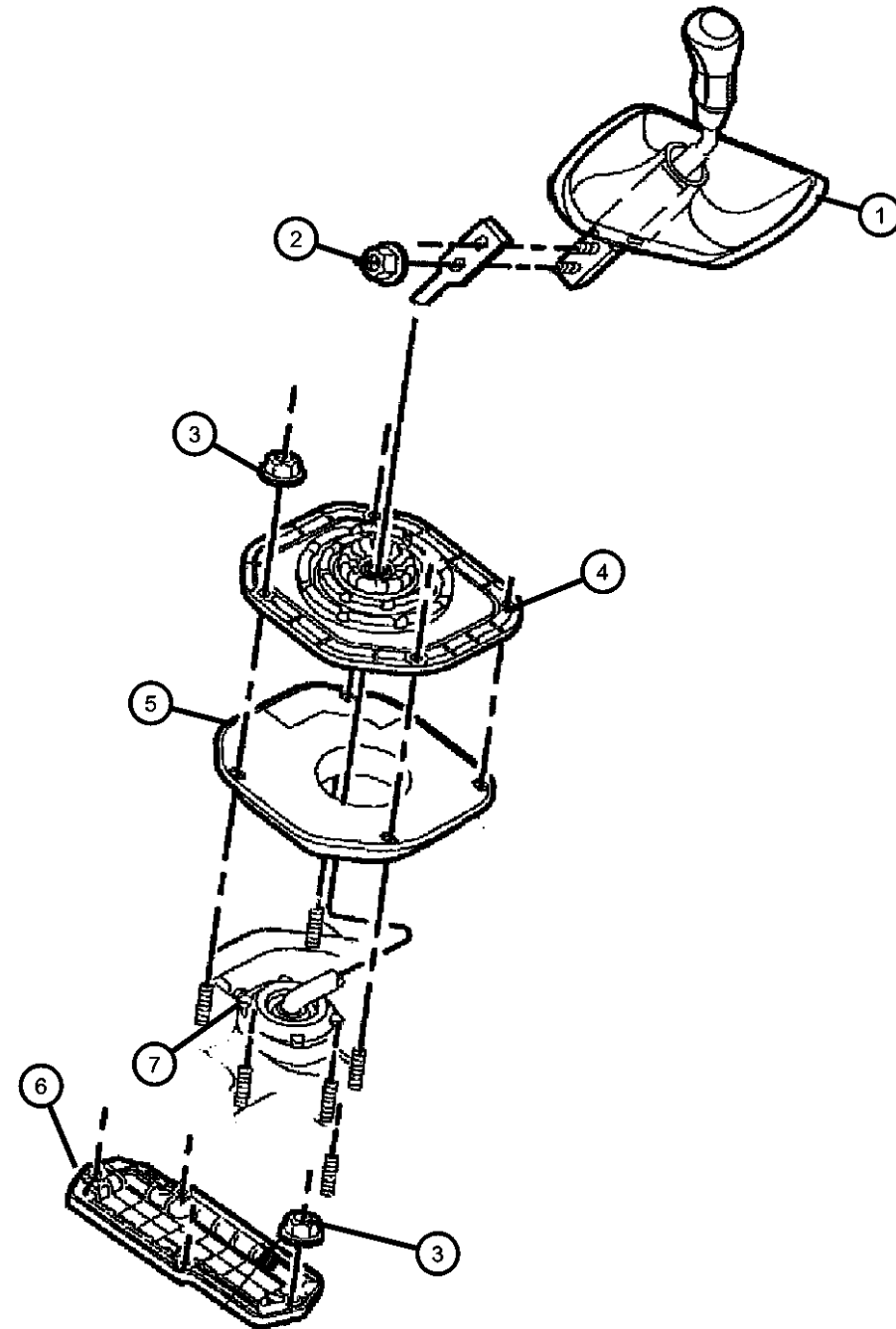
ITEM	PART NUMBER	QTY	LINE	SERIES	BODY	ENGINE	TRANS	TRIM	DESCRIPTION
------	-------------	-----	------	--------	------	--------	-------	------	-------------

NOTE:Sales Codes:

[DEH]= Six Speed Manual Transmission - [NSG370]

[EK0]=All 3.7L V-6 Engines

[EN0]=All 4/5 Cylinder Turbo Diesel Engines



1	52128821AC	1					DBB		SHIFTER, Transmission
2	06506668AA	1					DBB		SCREW, Cap
3	34201358	5					DBB		NUT AND WASHER, Hex Nut-Sealing Washer, M6 x 1.00
4	52128819AC	1				EK0, EN0	DBB		BOOT, Gear Shift Lever
5	05080761AA	1	J, U						SEAL, Gearshift Lever
6	52104321AA	1	T						COVER, Transfer Case Lever Hole
7									SHIFTER, Tower
	05159147AA	1	J, U			EN0	DEH		
	05159148AA	1	T			EK0	DEH		
		1	J, U			EK0	DEH		

**LIBERTY (KJ)**

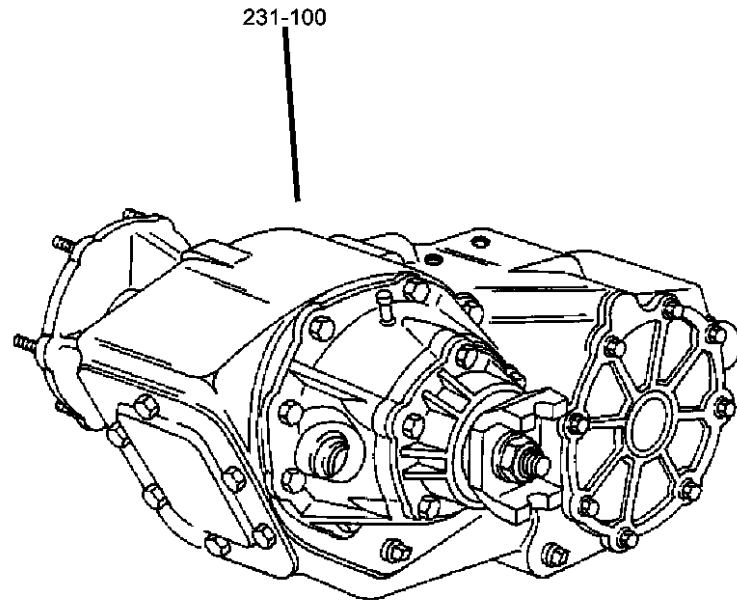
SERIES	LINE	BODY	ENGINE	TRANSMISSION
H = HIGHLINE	T = JEEP - 2WD	74 = SPORT UTILITY 4-DR	EKG = 3.7L V6 Engine	DG6 = 4-Spd. Automatic 42RLE
M = MEDIUM	J = JEEP - 4WD		ENR = 2.8L 4 Cyl Turbo Diesel Engine	Transmission
P = PREMIUM	U = JEEP - 4WD (RHD)		ENJ = 2.5L 4 Cyl 16V Turbo Diesel Engine	DGV = 4-Spd. Automatic VLP
			ED1 = 2.4L 4 Cyl DOHC 16v SMPI Engine	DGQ = 5-Spd Automatic 5-45RFE
				Transmission
				DEH = 6-Speed Manual NSG370
				Transmission
				DDD = 5-Speed HD Manual
				Transmission
				DDK = 5-Speed HD Manual
				Transmission

AR = use ase required - = Non illustrated part

2006 KJ

# Group - 231

## Transfer Case Model 231 [DHN]



### Group - 231 Transfer Case Model 231 [DHN]

Illustration Title

Group-Fig. No.

#### Transfer Case Assembly

Transfer Case Assembly Command Trac NVG 231 [DHN] ..... Fig. 231 - 105

#### Case and Related Parts

Case and Related Parts Command Trac NVG 231 [DHN] ..... Fig. 231 - 205

#### Gear Train

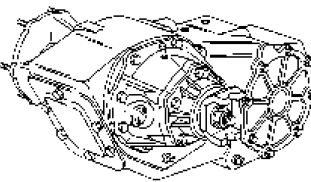


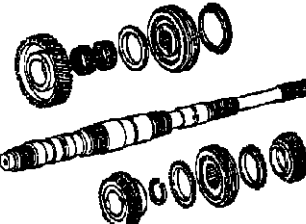
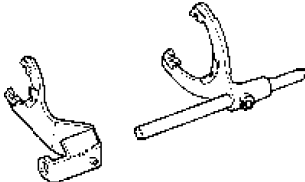
Gear Train Command Trac NVG 231 [DHN] ..... Fig. 231 - 405

#### Fork and Rails

Forks and Rails Command Trac NVG 231 [DHN] ..... Fig. 231 - 905

#### Gearshift Controls

Gearshift Controls Command Trac NVG 231 [DHN] ..... Fig. 231 - 1205

<p><b>231-100</b> Transfer Case Assembly</p> 	<p><b>231-1200</b> Gearshift Controls</p> 	<p><b>231-200</b> Case and Related Parts</p> 	<p><b>231-400</b> Gear Train</p> 
<p><b>231-900</b> Fork and Rails</p> 			

**Transfer Case Assembly Command Trac NVG 231 [DHN]  
Figure 231-105**

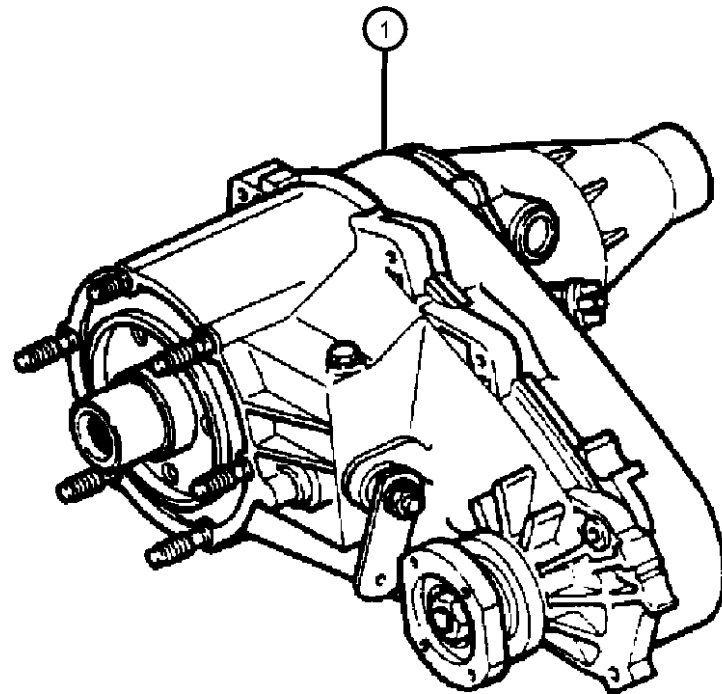
ITEM	PART NUMBER	QTY	LINE	SERIES	BODY	ENGINE	TRANS	TRIM	DESCRIPTION
------	-------------	-----	------	--------	------	--------	-------	------	-------------

**NOTE:**

Refer To All Proper Tag Numbers And Stamping Numbers Before Ordering Transfer Cases And/ Or Transfer Case Parts.

Sales Codes:

- [DBB]=All Manual Transmissions
- [DEH]=6-Speed Manual NSG370 Transmission
- [DGQ]=5-Speed Automatic 5-45RFE Transmission
- [DGV]=4-Speed Automatic VLP Transmission
- [DG0]=All Automatic Transmissions
- [DG6]=4-Speed Automatic 42RLE Transmission
- [DHE]=Command-Trac H.D. Part Time NVG 241 GII Transfer Case
- [DHN]=Command-Trac Part Time NVG 231 Transfer Case
- [DHP]=Selec-Trac Full Time NVG 242 Transfer Case
- [EKG]=3.7L "Magnum" V-6 Engine
- [EK0]=All 3.7L 6-Cylinder Gas Engines
- [ENR]=2.8L 4-Cylinder Turbo Diesel Engine
- [EN0]=All 4/5 Cylinder Diesel Engines
- [NAA]=Federal Emissions
- [NAE]=California Emissions
- [NAS]=50 States Emissions
- [NA1]=Export Emissions
- [XEF]=Transfer Case Skid Plate Shield



1	52099421AH	1	J, U
---	------------	---	------

TRANSFER CASE, NV231

**LIBERTY (KJ)**

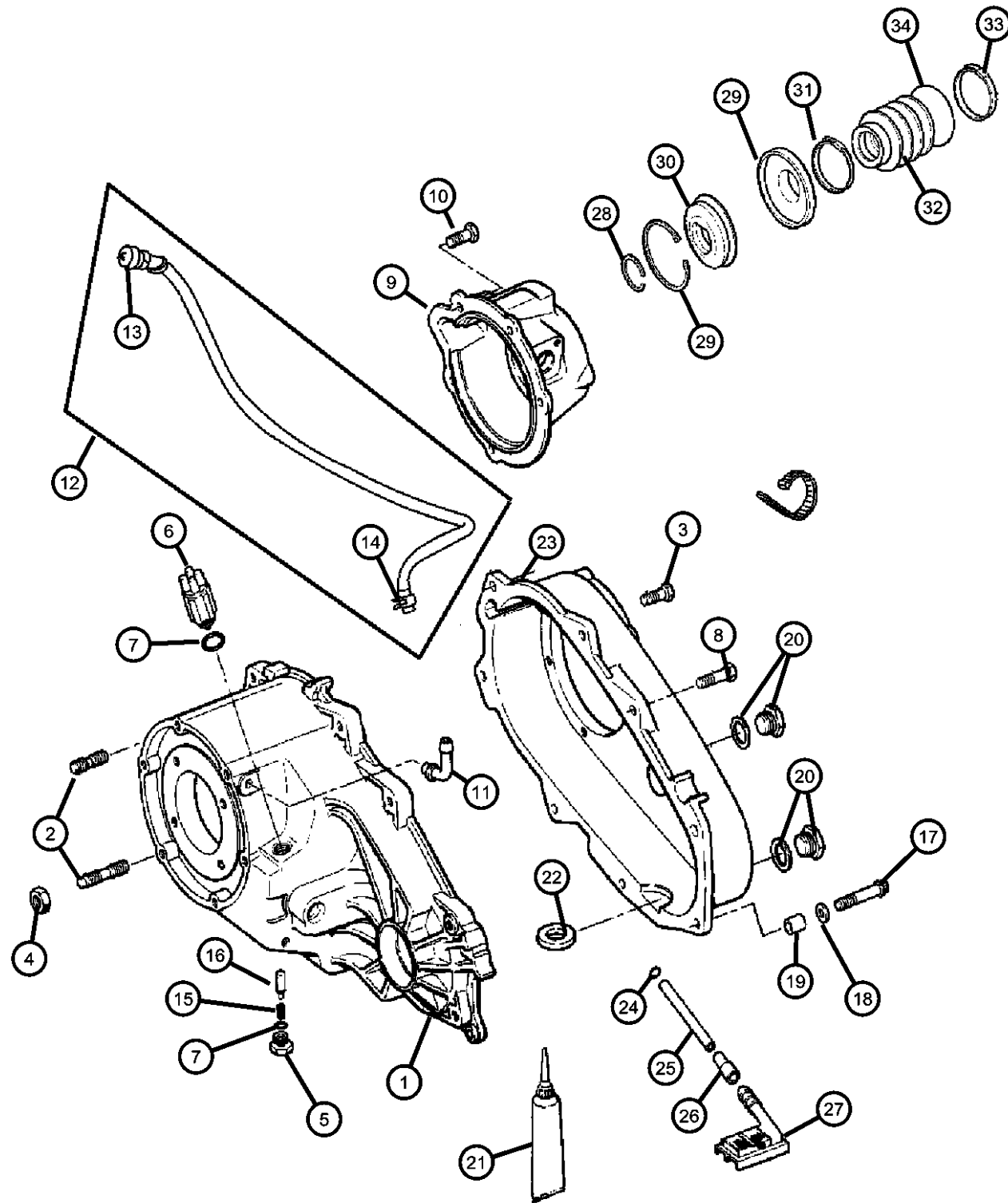
SERIES	LINE
H = HIGHLINE	T = JEEP - 2WD
M = MEDIUM	J = JEEP - 4WD
P = PREMIUM	U = JEEP - 4WD (RHD)

BODY
74 = SPORT UTILITY 4-DR

ENGINE	TRANSMISSION
EKG = 3.7L V6 Engine	DG6 = 4-Spd. Automatic 42RLE
ENR = 2.8L 4 Cyl Turbo Diesel Engine	Transmission
ENJ = 2.5L 4 Cyl 16V Turbo Diesel Engine	DGV = 4-Spd. Automatic VLP
ED1 = 2.4L 4 Cyl DOHC 16v SMPI Engine	Transmission
	DGQ = 5-Spd Automatic 5-45RFE
	Transmission
	DEH = 6-Speed Manual NSG370
	Transmission
	DDD = 5-Speed HD Manual
	Transmission
	DDK = 5-Speed HD Manual
	Transmission

AR = use ase required - = Non illustrated part

**Case and Related Parts Command Trac NVG 231 [DHN]  
Figure 231-205**



ITEM	PART NUMBER	QTY	LINE	SERIES	BODY	ENGINE	TRANS	TRIM	DESCRIPTION
------	-------------	-----	------	--------	------	--------	-------	------	-------------

**NOTE:**

Refer To All Proper Tag Numbers And Stamping Numbers Before Ordering Transfer Cases And/ Or Transfer Case Parts.

Sales Codes:

- [DBB]=All Manual Transmissions
- [DEH]=6-Speed Manual NSG370 Transmission
- [DGQ]=5-Speed Automatic 5-45RFE Transmission
- [DGV]=4-Speed Automatic VLP Transmission
- [DG0]=All Automatic Transmissions
- [DG6]=4-Speed Automatic 42RLE Transmission
- [DHE]=Command-Trac H.D. Part Time NVG 241 GII Transfer Case
- [DHN]=Command-Trac Part Time NVG 231 Transfer Case
- [DHP]=Selec-Trac Full Time NVG 242 Transfer Case
- [EKG]=3.7L "Magnum" V-6 Engine
- [EK0]=All 3.7L 6-Cylinder Gas Engines
- [ENR]=2.8L 4-Cylinder Turbo Diesel Engine
- [EN0]=All 4/5 Cylinder Diesel Engines
- [NAA]=Federal Emissions
- [NAE]=California Emissions
- [NAS]=50 States Emissions
- [NA1]=Export Emissions
- [XEF]=Transfer Case Skid Plate Shield

1	05072322AA	1	J, U						CASE, Transfer Front
2	04167922	6	J, U						STUD, Tranmission Case
3	J8130979	1	J, U						BOLT, Twelve Point Head, M10x1.5x48
4	J4006681	6	J, U						NUT AND CONED WASHER, Hex, .375-24
5	04886473AA	1	J, U						SCREW
6	05083138AA	1	J, U						SWITCH, Transfer Case, 5 Position
7	04338956	1	J, U						SEAL, Vacuum Switch
8	04210617	5	J, U						BOLT, Transfer Case
9	05072325AA	1	J, U						RETAINER, Transfer Case Rear
10	06501371	9	J, U						BOLT, Retainer
11	04796910	1	J, U						VENT, Transfer Case
12	52105882AA	1	J, U						HOSE, Vent
13	04213328	1	J, U						VENT, Cap
14	06502081	1	J, U						CLAMP, Oil Cooler Line
15	05003445AA	1	J, U						SPRING, Poppet Plunger

**LIBERTY (KJ)**

SERIES	LINE
H = HIGHLINE	T = JEEP - 2WD
M = MEDIUM	J = JEEP - 4WD
P = PREMIUM	U = JEEP - 4WD (RHD)

BODY  
74 = SPORT UTILITY 4-DR

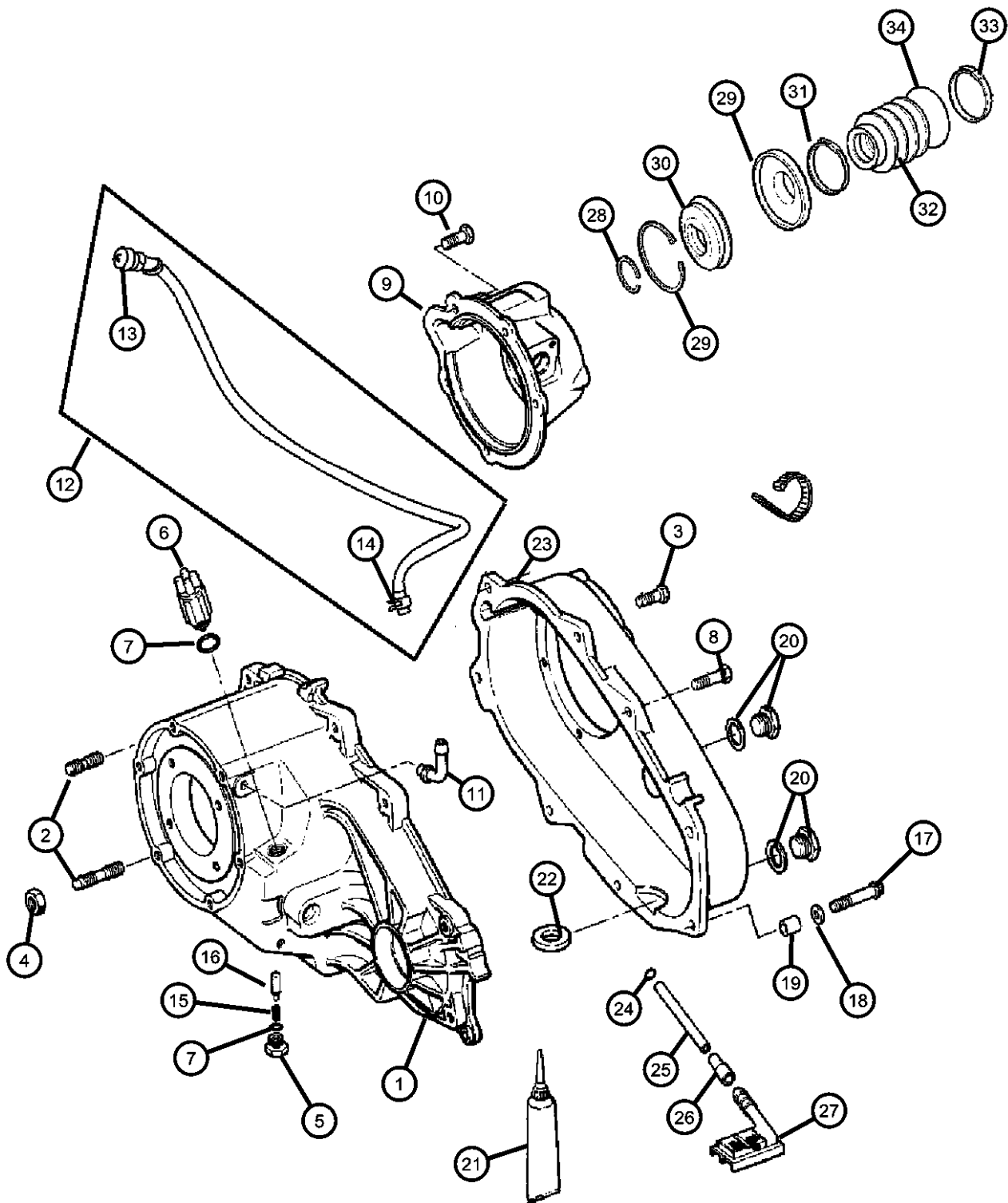
ENGINE	TRANSMISSION
EKG = 3.7L V6 Engine	DG6 = 4-Spd. Automatic 42RLE Transmission
ENR = 2.8L 4 Cyl Turbo Diesel Engine	DGV = 4-Spd. Automatic VLP Transmission
ENJ = 2.5L 4 Cyl 16V Turbo Diesel Engine	DGQ = 5-Spd Automatic 5-45RFE Transmission
ED1 = 2.4L 4 Cyl DOHC 16v SMPI Engine	DEH = 6-Speed Manual NSG370 Transmission
	DDD = 5-Speed HD Manual Transmission
	DDK = 5-Speed HD Manual Transmission

AR = use ase required - = Non illustrated part

2006 KJ



**Case and Related Parts Command Trac NVG 231 [DHN]  
Figure 231-205**



ITEM	PART NUMBER	QTY	LINE	SERIES	BODY	ENGINE	TRANS	TRIM	DESCRIPTION
16	05003444AA	1	J, U						PLUNGER
17	04210614	2	J, U						BOLT, Hex Flange Head
18	04210983	2	J, U						WASHER, Flat
19	04116310	2	J, U						DOWEL, Transfer Case
20	04856641	2	J, U						PLUG, Oil Fill
21	05010884AA	1	J, U						SEALANT, RTV
22	03681601	1	J, U						MAGNET, Transmission
23	04886222AA	1	J, U						CASE, Transfer Rear
24	04338942	1	J, U						SEAL, Oil
25	04338941	1	J, U						TUBE, Oil Pickup
26	04338944	1	J, U						CONNECTOR, Oil Tube Pickup
27	04338943	1	J, U						FILTER, Transfer Case Oil
28	04883597AA	2	J, U						SNAP RING
29	05072306AB	1	J, U						SNAP RING
30	05072307AA	1	J, U						SEAL, Output Shaft
31	05072308AA	1	J, U						SLINGER, Transfer Case Flange
32	05072310AA	1	J, U						CLAMP, Boot
33	05072311AA	1	J, U						CLAMP, Boot
34	05072329AB	1	J, U						BOOT, Output Shaft, None

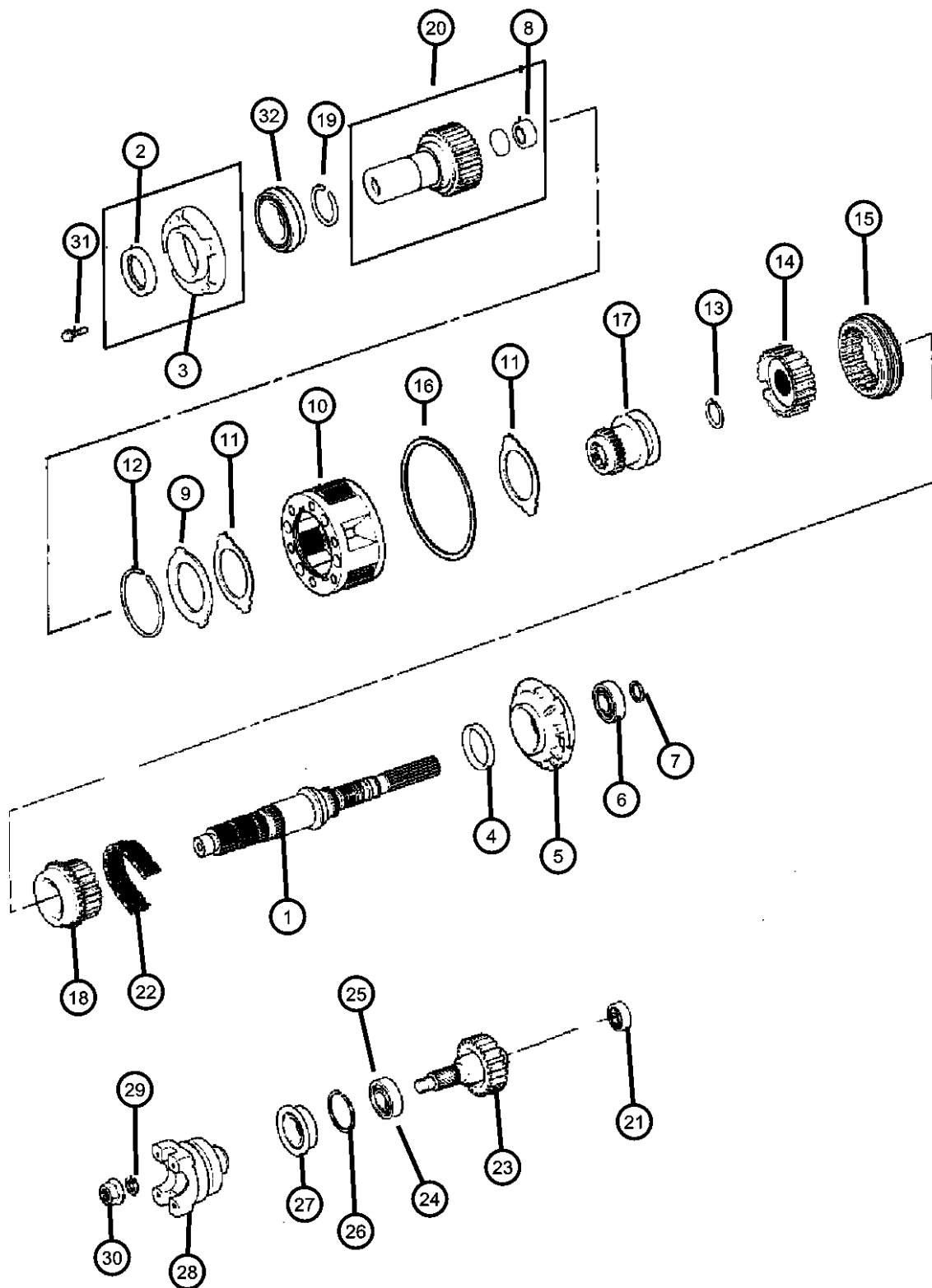
<b>LIBERTY (KJ)</b>				
SERIES	LINE	BODY	ENGINE	TRANSMISSION
H = HIGHLINE	T = JEEP - 2WD	74 = SPORT UTILITY 4-DR	EKG = 3.7L V6 Engine	DG6 = 4-Spd. Automatic 42RLE
M = MEDIUM	J = JEEP - 4WD		ENR = 2.8L 4 Cyl Turbo Diesel Engine	Transmission
P = PREMIUM	U = JEEP - 4WD (RHD)		ENJ = 2.5L 4 Cyl 16V Turbo Diesel Engine	DGV = 4-Spd. Automatic VLP
			ED1 = 2.4L 4 Cyl DOHC 16v SMPI Engine	Transmission
				DGQ = 5-Spd Automatic 5-45RFE
				Transmission
				DEH = 6-Speed Manual NSG370
				Transmission
				DDD = 5-Speed HD Manual
				Transmission
				DDK = 5-Speed HD Manual
				Transmission

AR = use ase required - = Non illustrated part

**Gear Train Command Trac NVG 231 [DHN]**

**Figure 231-405**

ITEM	PART NUMBER	QTY	LINE	SERIES	BODY	ENGINE	TRANS	TRIM	DESCRIPTION
------	-------------	-----	------	--------	------	--------	-------	------	-------------



**NOTE:**

Refer To All Proper Tag Numbers And Stamping Numbers Before Ordering Transfer Cases And/ Or Transfer Case Parts.

**Sales Codes:**

- [DBB]=All Manual Transmissions
- [DEH]=6-Speed Manual NSG370 Transmission
- [DGQ]=5-Speed Automatic 5-45RFE Transmission
- [DGV]=4-Speed Automatic VLP Transmission
- [DG0]=All Automatic Transmissions
- [DG6]=4-Speed Automatic 42RLE Transmission
- [DHE]=Command-Trac H.D. Part Time NVG 241 GII Transfer Case
- [DHN]=Command-Trac Part Time NVG 231 Transfer Case
- [DHP]=Selec-Trac Full Time NVG 242 Transfer Case
- [EKG]=3.7L "Magnum" V-6 Engine
- [EK0]=All 3.7L 6-Cylinder Gas Engines
- [ENR]=2.8L 4-Cylinder Turbo Diesel Engine
- [EN0]=All 4/5 Cylinder Diesel Engines
- [NAA]=Federal Emissions
- [NAE]=California Emissions
- [NAS]=50 States Emissions
- [NA1]=Export Emissions
- [XEF]=Transfer Case Skid Plate Sheild

1	05072345AA	1	J, U						MAINSHAFT, Transfer Case
2	05019020AA	1	J, U						SEAL, Input Gear
3	04338973	1	J, U						EXTENSION, Transfer Case
4	04210603	1	J, U						SEAL, Main Shaft
5	04883596AA	1	J, U						PUMP, Transfer Case Oil
6	04883601AA	1	J, U						BEARING, Output Shaft
7	04883597AA	2	J, U						SNAP RING
8	83503507	1	J, U						BEARING, Input Shaft
9	05019579AA	1	J, U						PLATE
10	04796903AB	1	J, U						PLANETARY, Transfer Case
11	04338908	2	J, U						THRUST WASHER, Planetary Carrier
12	04338910	1	J, U						SNAP RING
13	04338933	1	J, U						SNAP RING
14	05159201AA	1	J, U						HUB, Synchronizer
15	04796909	1	J, U						SLEEVE, Mode Synchronizer

**LIBERTY (KJ)**

SERIES	LINE
H = HIGHLINE	T = JEEP - 2WD
M = MEDIUM	J = JEEP - 4WD
P = PREMIUM	U = JEEP - 4WD (RHD)

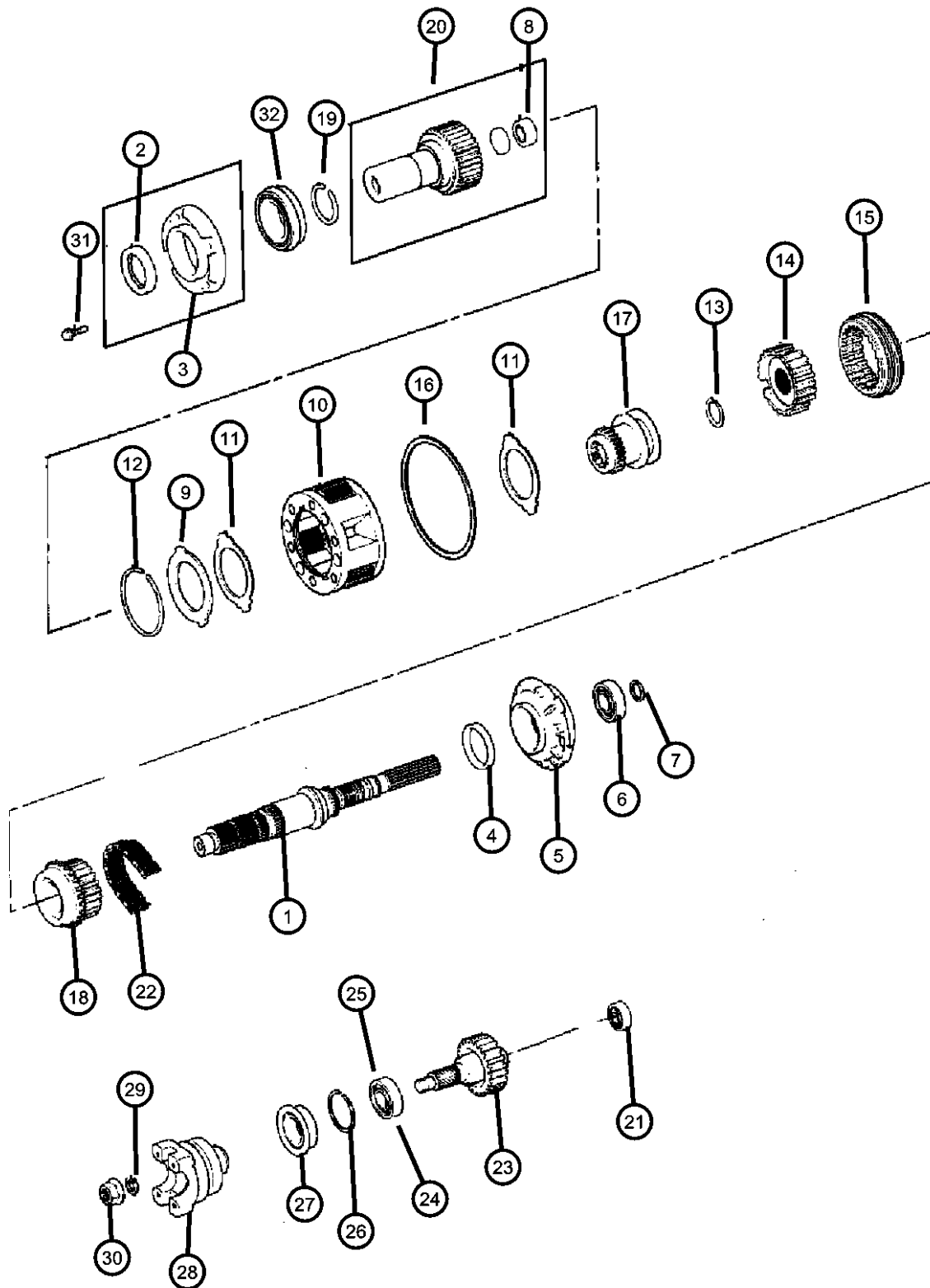
BODY
74 = SPORT UTILITY 4-DR

ENGINE	TRANSMISSION
EKG = 3.7L V6 Engine	DG6 = 4-Spd. Automatic 42RLE Transmission
ENR = 2.8L 4 Cyl Turbo Diesel Engine	DGV = 4-Spd. Automatic VLP Transmission
ENJ = 2.5L 4 Cyl 16V Turbo Diesel Engine	DGQ = 5-Spd Automatic 5-45RFE Transmission
ED1 = 2.4L 4 Cyl DOHC 16v SMPI Engine	DEH = 6-Speed Manual NSG370 Transmission
	DDD = 5-Speed HD Manual Transmission
	DDK = 5-Speed HD Manual Transmission

AR = use ase required - = Non illustrated part

**Gear Train Command Trac NVG 231 [DHN]  
Figure 231-405**

ITEM	PART NUMBER	QTY	LINE	SERIES	BODY	ENGINE	TRANS	TRIM	DESCRIPTION
16	04219065	1	J, U						SNAP RING, Annulus Gear
17	04897955AA	1	J, U						SLEEVE, Range Fork
18	04796908	1	J, U						SPROCKET, Transfer Case
19	03821558	1	J, U						SNAP RING
20	04897953AA	1	J, U						GEAR, Input
21	04269189	1	J, U						BEARING, Output Shaft
22	04338935	1	J, U						CHAIN, Transfer Case
23	05072324AA	1	J, U						OUTPUT SHAFT, Transfer Case
24	04883601AA	1	J, U						BEARING, Output Shaft
25	04338892	1	J, U						BEARING
26	04338894	1	J, U						SNAP RING, Bearing
27	05015847AA	1	J, U						SEAL, Output Shaft
28	05019583AA	1	J, U						FLANGE, Driveshaft Yoke
29	04446487	1	J, U						WASHER, Flat
30	04446488	1	J, U						NUT, Hex Flange
31	06501371	9	J, U						BOLT, Retainer
32	04746155	1	J, U						BEARING, Input Gear



**LIBERTY (KJ)**

SERIES      LINE  
H = HIGHLINE    T = JEEP - 2WD  
M = MEDIUM     J = JEEP - 4WD  
P = PREMIUM    U = JEEP - 4WD (RHD)

BODY  
74 = SPORT UTILITY 4-DR

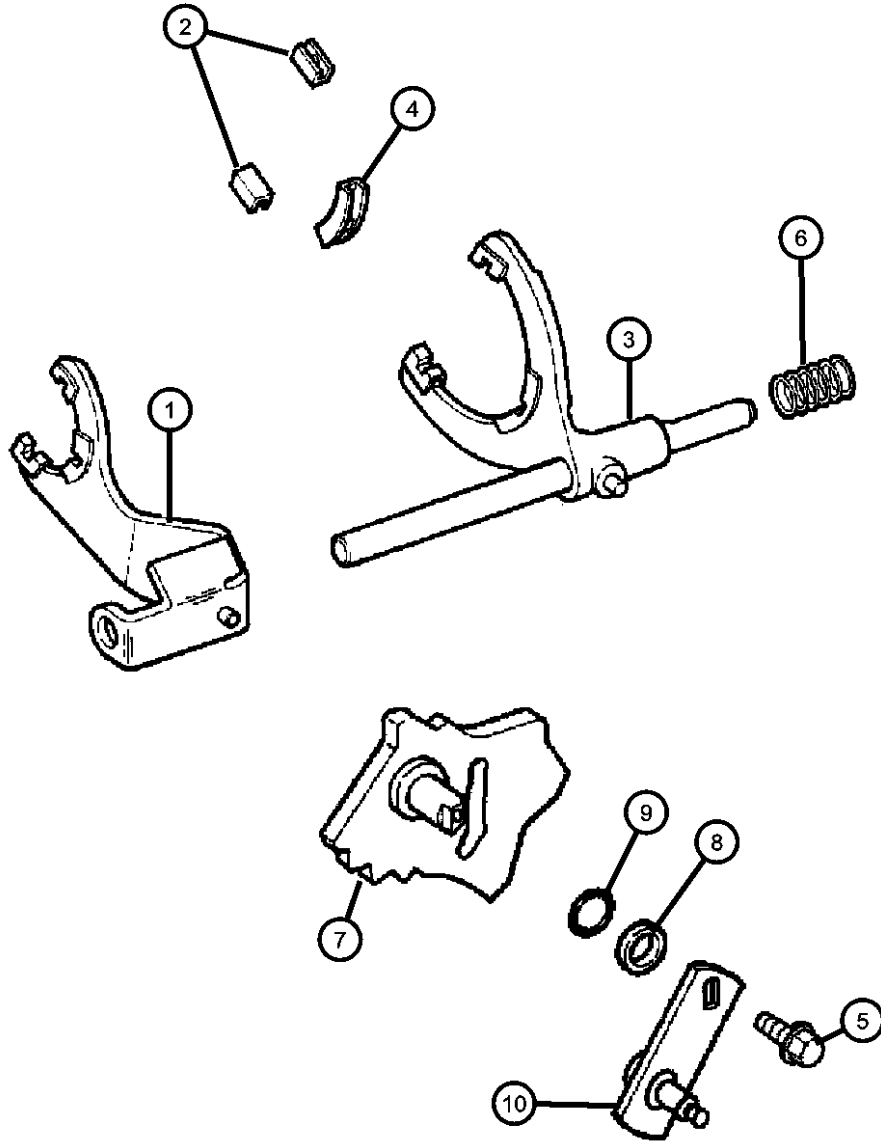
ENGINE      TRANSMISSION  
EKG = 3.7L V6 Engine      DG6 = 4-Spd. Automatic 42RLE  
ENR = 2.8L 4 Cyl Turbo Diesel Engine      Transmission  
ENJ = 2.5L 4 Cyl 16V Turbo Diesel Engine      DGV = 4-Spd. Automatic VLP  
ED1 = 2.4L 4 Cyl DOHC 16v SMPI Engine      Transmission  
DGQ = 5-Spd Automatic 5-45RFE  
DEH = 6-Speed Manual NSG370  
Transmission  
DDD = 5-Speed HD Manual  
Transmission  
DDK = 5-Speed HD Manual  
Transmission

AR = use ase required - = Non illustrated part

2006 KJ

Forks and Rails Command Trac NVG 231 [DHN]  
Figure 231-905

ITEM	PART NUMBER	QTY	LINE	SERIES	BODY	ENGINE	TRANS	TRIM	DESCRIPTION
------	-------------	-----	------	--------	------	--------	-------	------	-------------



NOTE:

Refer To All Proper Tag Numbers And Stamping Numbers Before Ordering Transfer Cases And/ Or Transfer Case Parts.

Sales Codes:

- [DBB]=All Manual Transmissions
- [DEH]=6-Speed Manual NSG370 Transmission
- [DGQ]=5-Speed Automatic 5-45RFE Transmission
- [DGV]=4-Speed Automatic VLP Transmission
- [DG0]=All Automatic Transmissions
- [DG6]=4-Speed Automatic 42RLE Transmission
- [DHE]=Command-Trac H.D. Part Time NVG 241 GII Transfer Case
- [DHN]=Command-Trac Part Time NVG 231 Transfer Case
- [DHP]=Selec-Trac Full Time NVG 242 Transfer Case
- [EKG]=3.7L "Magnum" V-6 Engine
- [EK0]=All 3.7L 6-Cylinder Gas Engines
- [ENR]=2.8L 4-Cylinder Turbo Diesel Engine
- [EN0]=All 4/5 Cylinder Diesel Engines
- [NAA]=Federal Emissions
- [NAE]=California Emissions
- [NAS]=50 States Emissions
- [NA1]=Export Emissions
- [XEF]=Transfer Case Skid Plate Sheild

1	04798136	1	J, U
2	04167969	2	J, U
3	04741237	1	J, U
4	04219073	1	J, U
5	05014048AA	1	J, U
6	04338925	1	J, U
7	05072568AA	1	J, U
8	05003442AA	1	J, U
9	05014046AA	1	J, U
10	05161498AA	1	J, U

FORK, Range  
PAD, Shift Fork  
FORK, Transfer Case Mode Shift  
PAD, Shift Fork  
BOLT, Hex Head  
SPRING, Mode Shift Rail  
SECTOR, Transfer Case  
BEARING, Shift Lever Linkage  
SEAL, Sector Shaft  
LEVER, Selector

LIBERTY (KJ)

SERIES      LINE  
H = HIGHLINE    T = JEEP - 2WD  
M = MEDIUM     J = JEEP - 4WD  
P = PREMIUM    U = JEEP - 4WD (RHD)

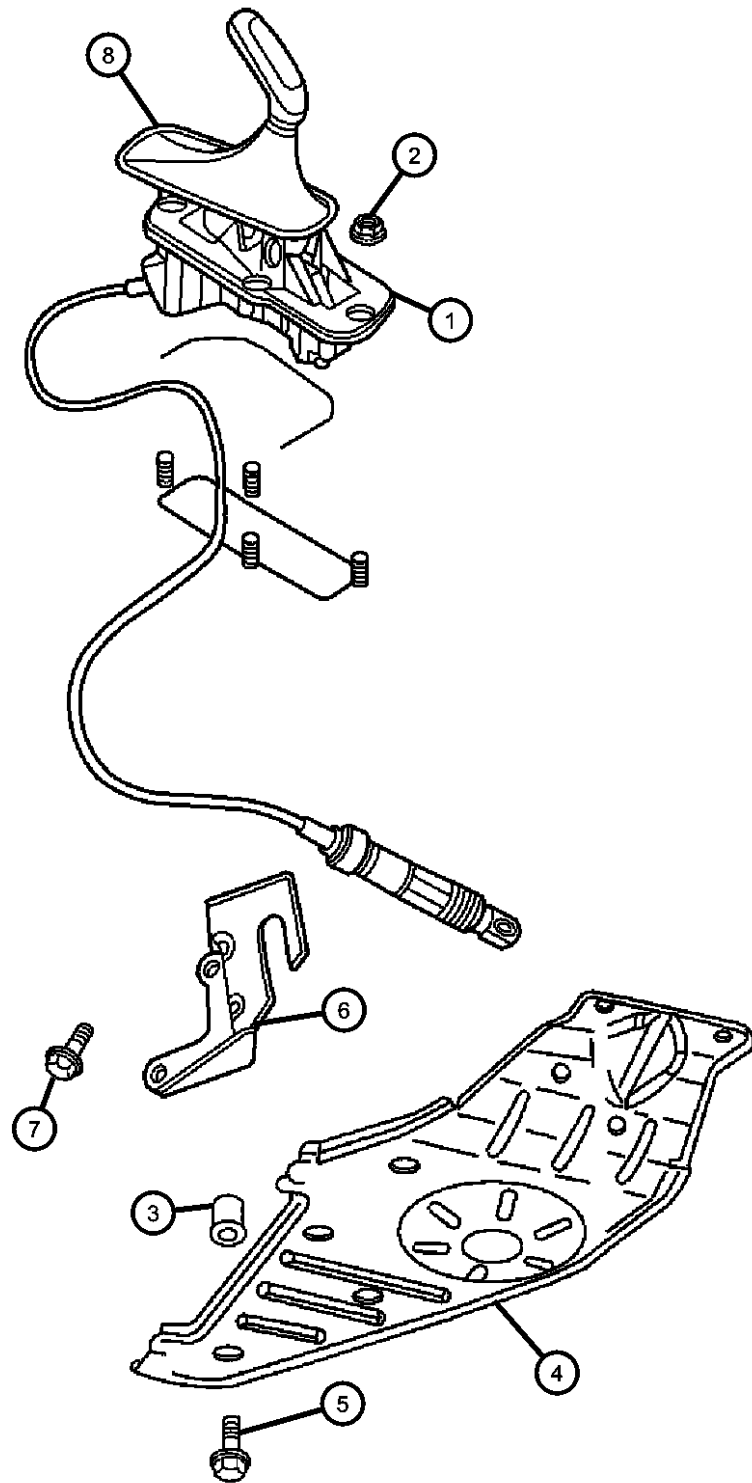
BODY  
74 = SPORT UTILITY 4-DR

ENGINE      TRANSMISSION  
EKG = 3.7L V6 Engine      DG6 = 4-Spd. Automatic 42RLE  
ENR = 2.8L 4 Cyl Turbo Diesel      Transmission  
Engine      DGV = 4-Spd. Automatic VLP  
ENJ = 2.5L 4 Cyl 16V Turbo      Transmission  
Diesel Engine      DGQ = 5-Spd Automatic 5-45RFE  
ED1 = 2.4L 4 Cyl DOHC 16v      Transmission  
SMPI Engine      DEH = 6-Speed Manual NSG370  
Transmission  
DDD = 5-Speed HD Manual  
Transmission  
DDK = 5-Speed HD Manual  
Transmission

AR = use ase required - = Non illustrated part

2006 KJ

**Gearshift Controls Command Trac NVG 231 [DHN]  
Figure 231-1205**



ITEM	PART NUMBER	QTY	LINE	SERIES	BODY	ENGINE	TRANS	TRIM	DESCRIPTION
------	-------------	-----	------	--------	------	--------	-------	------	-------------

**NOTE:**

Refer To All Proper Tag Numbers And Stamping Numbers Before Ordering Transfer Cases And/ Or Transfer Case Parts.

**Sales Codes:**

- [DBB]=All Manual Transmissions
- [DEH]=6-Speed Manual NSG370 Transmission
- [DGQ]=5-Speed Automatic 5-45RFE Transmission
- [DGV]=4-Speed Automatic VLP Transmission
- [DG0]=All Automatic Transmissions
- [DG6]=4-Speed Automatic 42RLE Transmission
- [DHE]=Command-Trac H.D. Part Time NVG 241 GII Transfer Case
- [DHN]=Command-Trac Part Time NVG 231 Transfer Case
- [DHP]=Selec-Trac Full Time NVG 242 Transfer Case
- [EKG]=3.7L "Magnum" V-6 Engine
- [EK0]=All 3.7L 6-Cylinder Gas Engines
- [ENR]=2.8L 4-Cylinder Turbo Diesel Engine
- [EN0]=All 4/5 Cylinder Diesel Engines
- [NAA]=Federal Emissions
- [NAE]=California Emissions
- [NAS]=50 States Emissions
- [NA1]=Export Emissions
- [XEF]=Transfer Case Skid Plate Sheild

1	52128999AE	1	J, U						SHIFTER, Transfer Case
2	34201358	4							NUT AND WASHER, Hex Nut-Sealing Washer, M6 x 1.00 RIVET
3	06506644AA	4	J, U						PLATE, Transfer Case Skid RIVET
4	52129091AA	1	J, U						BRACKET, Shifter
5	06506644AA	4	J, U						SCREW AND WASHER, Hex Head, M10x1.5x28
6	52128956AA	1	J, U			DBB			BOOT, Gearshift
7	06101752	3	J, U			DG0			BUSHING, Transfer case shifter
8	52109709AE	1	J, U						
-9	68001899AA	1	J, U						

**LIBERTY (KJ)**

SERIES	LINE
H = HIGHLINE	T = JEEP - 2WD
M = MEDIUM	J = JEEP - 4WD
P = PREMIUM	U = JEEP - 4WD (RHD)

BODY
74 = SPORT UTILITY 4-DR

ENGINE
EKG = 3.7L V6 Engine
ENR = 2.8L 4 Cyl Turbo Diesel Engine
ENJ = 2.5L 4 Cyl 16V Turbo Diesel Engine
ED1 = 2.4L 4 Cyl DOHC 16v SMPI Engine

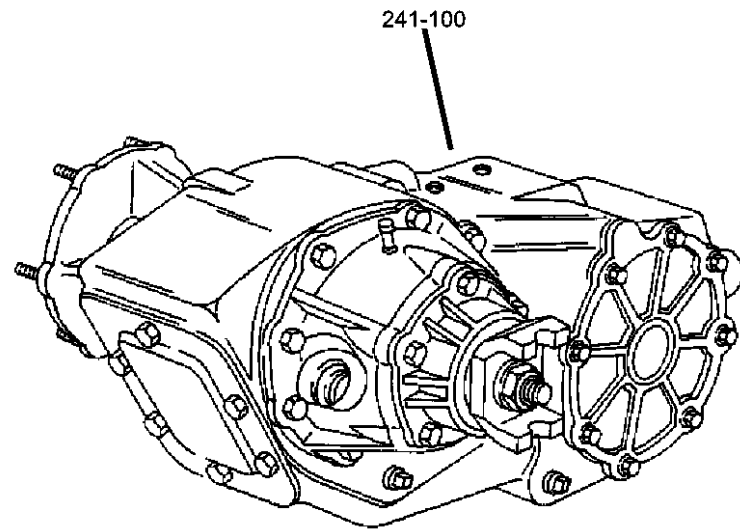
TRANSMISSION
DG6 = 4-Spd. Automatic 42RLE Transmission
DGV = 4-Spd. Automatic VLP Transmission
DGQ = 5-Spd Automatic 5-45RFE Transmission
DEH = 6-Speed Manual NSG370 Transmission
DDD = 5-Speed HD Manual Transmission
DDK = 5-Speed HD Manual Transmission

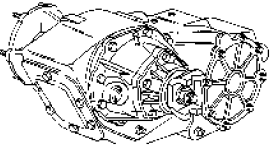


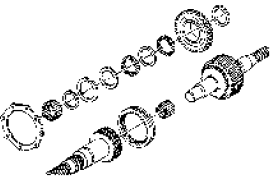
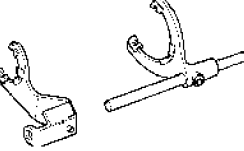
AR = use ase required - = Non illustrated part

2006 KJ

# Group - 241

## Transfer Case Model 241 [DHE]



<p><b>241-100</b> Transfer Case Assembly</p> 	<p><b>241-1200</b> Gearshift Controls</p> 	<p><b>241-200</b> Case and Related Parts</p> 	<p><b>241-400</b> Gear Train</p> 
<p><b>241-900</b> Fork and Rails</p> 			

---

**Group - 241 Transfer Case Model 241 [DHE]**

Illustration Title

Group-Fig. No.

**Transfer Case Assembly**

Transfer Case Assembly And Identification NVG 241 [DHE] Manual Shift On The Fly ..... Fig. 241 - 105

**Case and Related Parts**

Case and Related Parts NVG 241[DHE] Manual Shift On The Fly ..... Fig. 241 - 205

**Gear Train**

Gear Train NVG 241 [DHE] Manual Shift On The Fly ..... Fig. 241 - 405

**Fork and Rails**

Forks And Rails NVG 241 [DHE] Manual Shift On The Fly ..... Fig. 241 - 905

**Gearshift Controls**

Shift Controls NVG 241 [DHE] Manual Shift On The Fly ..... Fig. 241 - 1205

**Transfer Case Assembly And Identification NVG 241 [DHE] Manual Shift On The Fly  
Figure 241-105**

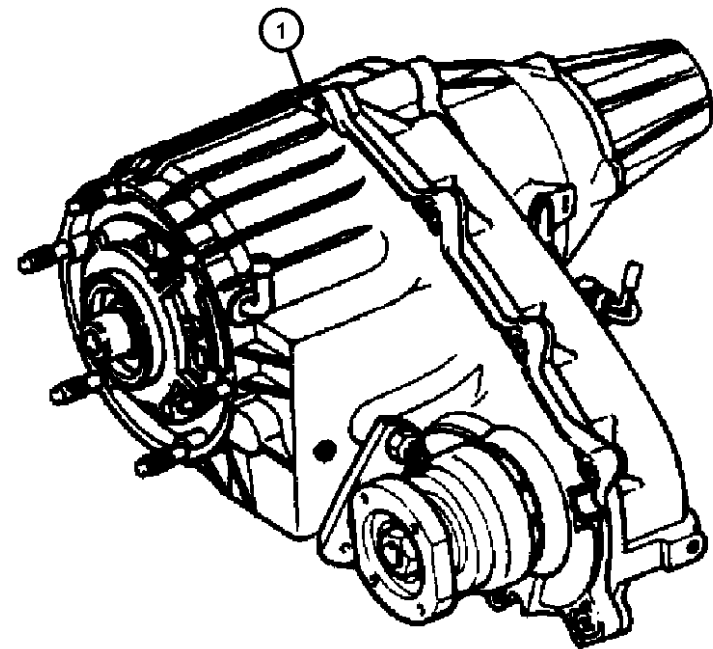
ITEM	PART NUMBER	QTY	LINE	SERIES	BODY	ENGINE	TRANS	TRIM	DESCRIPTION
------	-------------	-----	------	--------	------	--------	-------	------	-------------

**NOTE:**

Refer To All Proper Tag Numbers And Stamping Numbers Before Ordering Transfer Cases And/ Or Transfer Case Parts.

Sales Codes:

- [DBB]=All Manual Transmissions
- [DEH]=6-Speed Manual NSG370 Transmission
- [DGQ]=5-Speed Automatic 5-45RFE Transmission
- [DGV]=4-Speed Automatic VLP Transmission
- [DG0]=All Automatic Transmissions
- [DG6]=4-Speed Automatic 42RLE Transmission
- [DHE]=Command-Trac H.D. Part Time NVG 241 GII Transfer Case
- [DHN]=Command-Trac Part Time NVG 231 Transfer Case
- [DHP]=Selec-Trac Full Time NVG 242 Transfer Case
- [EKG]=3.7L "Magnum" V-6 Engine
- [EK0]=All 3.7L 6-Cylinder Gas Engines
- [ENR]=2.8L 4-Cylinder Turbo Diesel Engine
- [EN0]=All 4/5 Cylinder Diesel Engines
- [NAA]=Federal Emissions
- [NAE]=California Emissions
- [NAS]=50 States Emissions
- [NA1]=Export Emissions
- [XEF]=Transfer Case Skid Plate Sheild



1	52853311AC	1	J, U
---	------------	---	------

TRANSFER CASE, NP241

**LIBERTY (KJ)**

SERIES	LINE	BODY	ENGINE	TRANSMISSION
H = HIGHLINE	T = JEEP - 2WD	74 = SPORT UTILITY 4-DR	EKG = 3.7L V6 Engine	DG6 = 4-Spd. Automatic 42RLE Transmission
M = MEDIUM	J = JEEP - 4WD		ENR = 2.8L 4 Cyl Turbo Diesel Engine	DGV = 4-Spd. Automatic VLP Transmission
P = PREMIUM	U = JEEP - 4WD (RHD)		ENJ = 2.5L 4 Cyl 16V Turbo Diesel Engine	DGQ = 5-Spd Automatic 5-45RFE Transmission
			ED1 = 2.4L 4 Cyl DOHC 16v SMPI Engine	DEH = 6-Speed Manual NSG370 Transmission
				DDD = 5-Speed HD Manual Transmission
				DDK = 5-Speed HD Manual Transmission

AR = use ase required - = Non illustrated part



**Case and Related Parts NVG 241[DHE] Manual Shift On The Fly  
Figure 241-205**

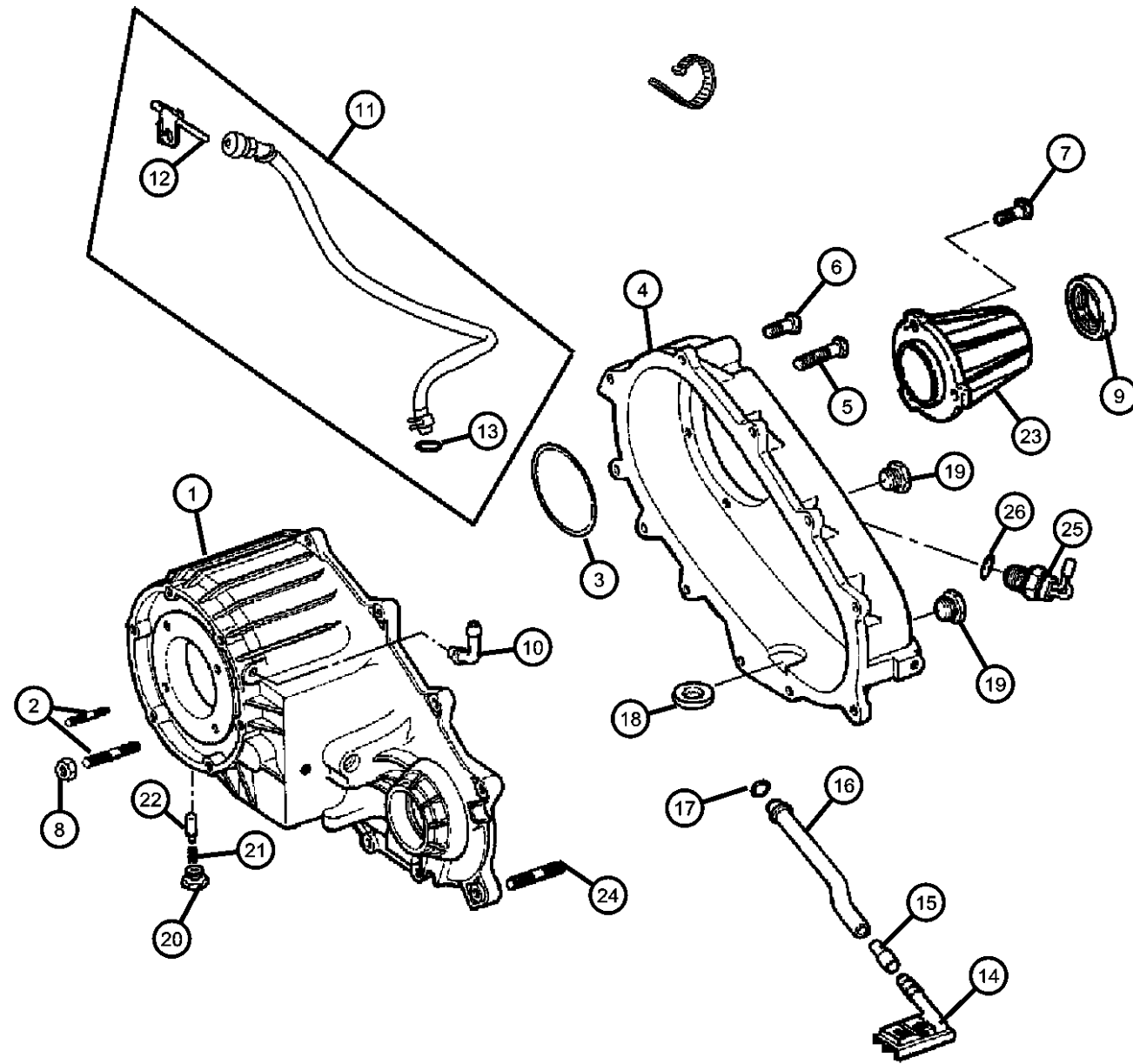
ITEM	PART NUMBER	QTY	LINE	SERIES	BODY	ENGINE	TRANS	TRIM	DESCRIPTION
------	-------------	-----	------	--------	------	--------	-------	------	-------------

**NOTE:**

Refer To All Proper Tag Numbers And Stamping Numbers Before Ordering Transfer Cases And/ Or Transfer Case Parts.

Sales Codes:

- [DBB]=All Manual Transmissions
- [DEH]=6-Speed Manual NSG370 Transmission
- [DGQ]=5-Speed Automatic 5-45RFE Transmission
- [DGV]=4-Speed Automatic VLP Transmission
- [DG0]=All Automatic Transmissions
- [DG6]=4-Speed Automatic 42RLE Transmission
- [DHE]=Command-Trac H.D. Part Time NVG 241 GII Transfer Case
- [DHN]=Command-Trac Part Time NVG 231 Transfer Case
- [DHP]=Selec-Trac Full Time NVG 242 Transfer Case
- [EKG]=3.7L "Magnum" V-6 Engine
- [EK0]=All 3.7L 6-Cylinder Gas Engines
- [ENR]=2.8L 4-Cylinder Turbo Diesel Engine
- [EN0]=All 4/5 Cylinder Diesel Engines
- [NAA]=Federal Emissions
- [NAE]=California Emissions
- [NAS]=50 States Emissions
- [NA1]=Export Emissions
- [XEF]=Transfer Case Skid Plate Sheild



1	05159099AA	1	J, U						CASE, Transfer Front
2	04167922	6	J, U						STUD, Tranmission Case
3	04219065	1	J, U						SNAP RING, Annulus Gear
4	05080221AA	1	J, U						CASE, Transfer Case Rear
5	05080859AA	1	J, U						BOLT, Hex Flange Head
6	06101526	17	J, U						BOLT, Transfer Case, [M8X1.25X35.00]
7	05101858AA	6	J, U						BOLT, Retainer
8	J4006681	6	J, U						NUT AND CONED WASHER, Hex, .375-24
9	05019026AA	1	J, U						SEAL, Output Shaft
10	04796910	1	J, U						VENT, Transfer Case
11	52105882AA	1	J, U						HOSE, Vent
12	04213328	1	J, U						VENT, Cap
13	06502081	1	J, U						CLAMP, Oil Cooler Line
14	05012326AA	1	J, U						FILTER, Transfer Case Oil
15	05012327AA	1	J, U						CONNECTOR, Oil Tube Pickup

**LIBERTY (KJ)**

SERIES      LINE  
 H = HIGHLINE    T = JEEP - 2WD  
 M = MEDIUM      J = JEEP - 4WD  
 P = PREMIUM      U = JEEP - 4WD (RHD)

BODY  
 74 = SPORT UTILITY 4-DR

ENGINE  
 EKG = 3.7L V6 Engine  
 ENR = 2.8L 4 Cyl Turbo Diesel Engine  
 ENJ = 2.5L 4 Cyl 16V Turbo Diesel Engine  
 ED1 = 2.4L 4 Cyl DOHC 16v SMPI Engine

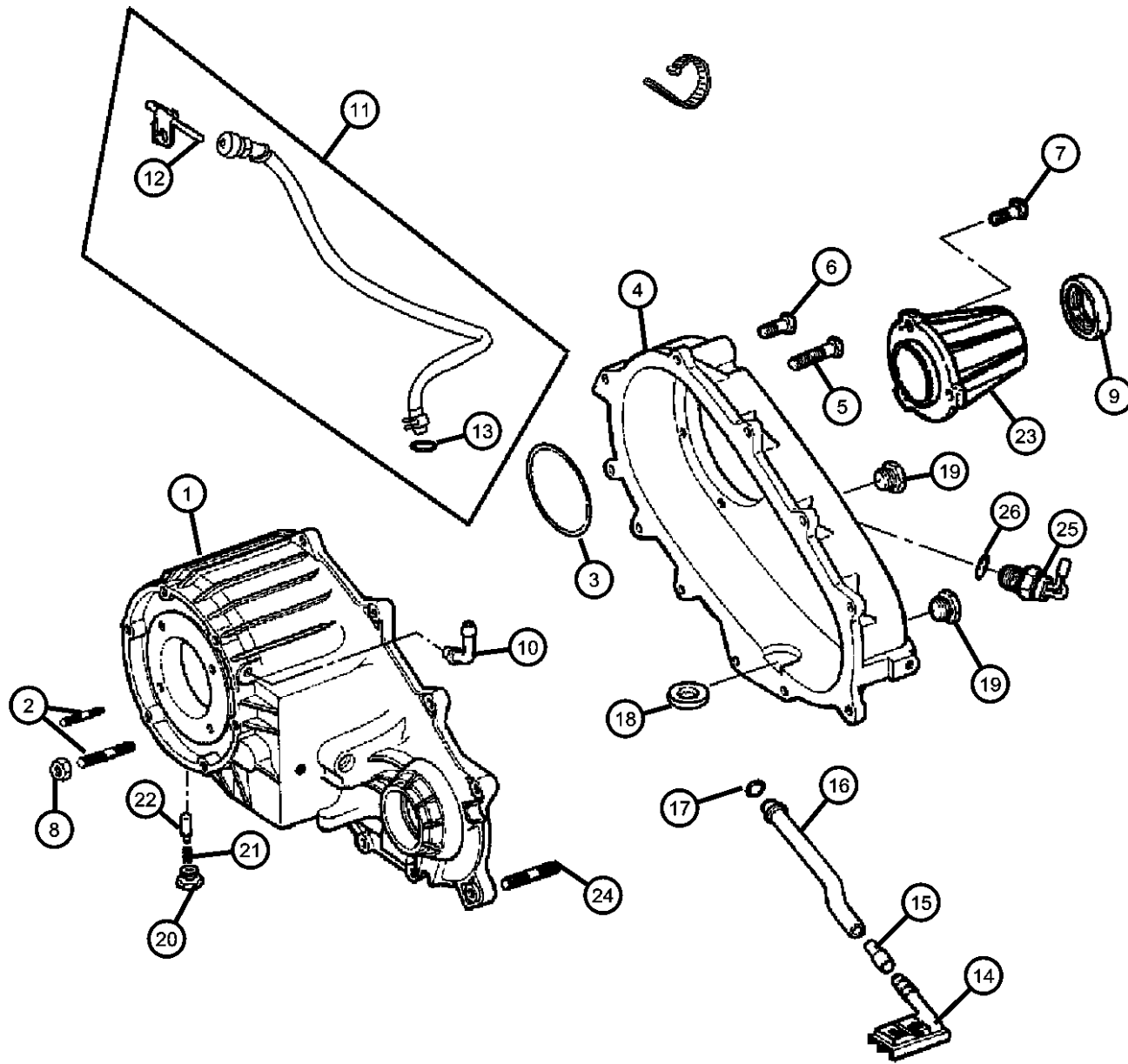
TRANSMISSION  
 DG6 = 4-Spd. Automatic 42RLE Transmission  
 DGV = 4-Spd. Automatic VLP Transmission  
 DGQ = 5-Spd Automatic 5-45RFE Transmission  
 DEH = 6-Speed Manual NSG370 Transmission  
 DDD = 5-Speed HD Manual Transmission  
 DDK = 5-Speed HD Manual Transmission

AR = use ase required    - = Non illustrated part

2006 KJ

**Case and Related Parts NVG 241[DHE] Manual Shift On The Fly  
Figure 241-205**

ITEM	PART NUMBER	QTY	LINE	SERIES	BODY	ENGINE	TRANS	TRIM	DESCRIPTION
16	05080223AA	1	J, U						TUBE, Oil Pickup
17	05013016AB	1	J, U						SEAL, Transfer Case
18	05080218AA	1	J, U						MAGNET
19	04856641	2	J, U						PLUG, Oil Fill
20	04886473AA	1	J, U						SCREW
21	04638497	1	J, U						SPRING, Shift Detent
22	53008217	1	J, U						PLUNGER
23	05080386AA	1	J, U						EXTENSION, Transfer Case
24	05222757	2	J, U						DOWEL
25	05083138AA	1	J, U						SWITCH, Transfer Case, 5 Position
26	04338956	1	J, U						SEAL, Vacuum Switch
-27	05010884AA	1	J, U						SEALANT, RTV



**LIBERTY (KJ)**

SERIES      LINE  
H = HIGHLINE    T = JEEP - 2WD  
M = MEDIUM     J = JEEP - 4WD  
P = PREMIUM    U = JEEP - 4WD (RHD)

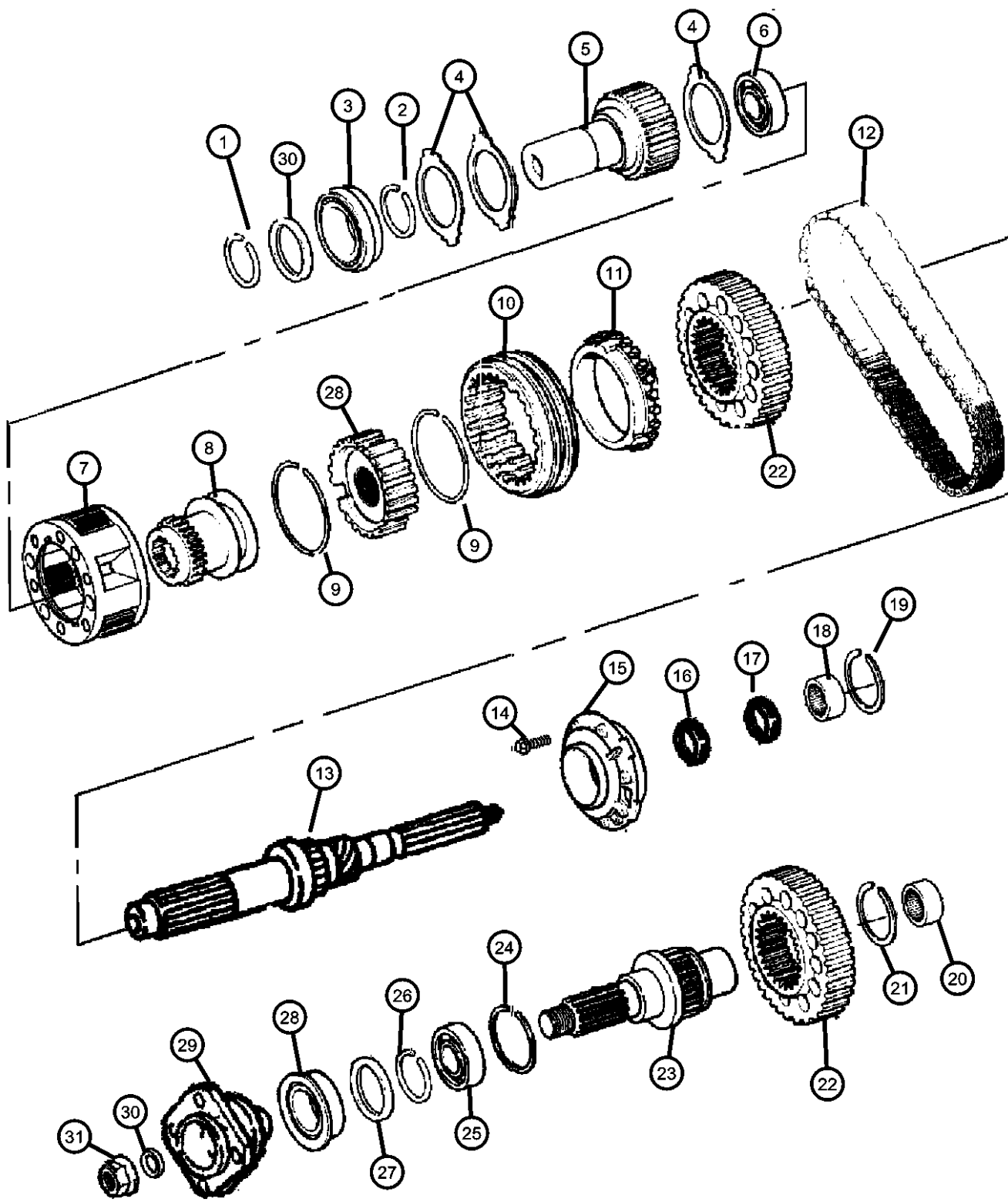
BODY  
74 = SPORT UTILITY 4-DR

ENGINE      TRANSMISSION  
EKG = 3.7L V6 Engine      DG6 = 4-Spd. Automatic 42RLE  
ENR = 2.8L 4 Cyl Turbo Diesel      Transmission  
Engine      DGV = 4-Spd. Automatic VLP  
ENJ = 2.5L 4 Cyl 16V Turbo      Transmission  
Diesel Engine      DGQ = 5-Spd Automatic 5-45RFE  
ED1 = 2.4L 4 Cyl DOHC 16v      Transmission  
SMPI Engine      DEH = 6-Speed Manual NSG370  
Transmission  
DDD = 5-Speed HD Manual  
Transmission  
DDK = 5-Speed HD Manual  
Transmission

AR = use ase required    - = Non illustrated part

2006 KJ

**Gear Train NVG 241 [DHE] Manual Shift On The Fly  
Figure 241-405**



ITEM	PART NUMBER	QTY	LINE	SERIES	BODY	ENGINE	TRANS	TRIM	DESCRIPTION
------	-------------	-----	------	--------	------	--------	-------	------	-------------

NOTE:  
Refer To All Proper Tag Numbers And Stamping Numbers Before Ordering Transfer Cases And/ Or Transfer Case Parts.  
Sales Codes:

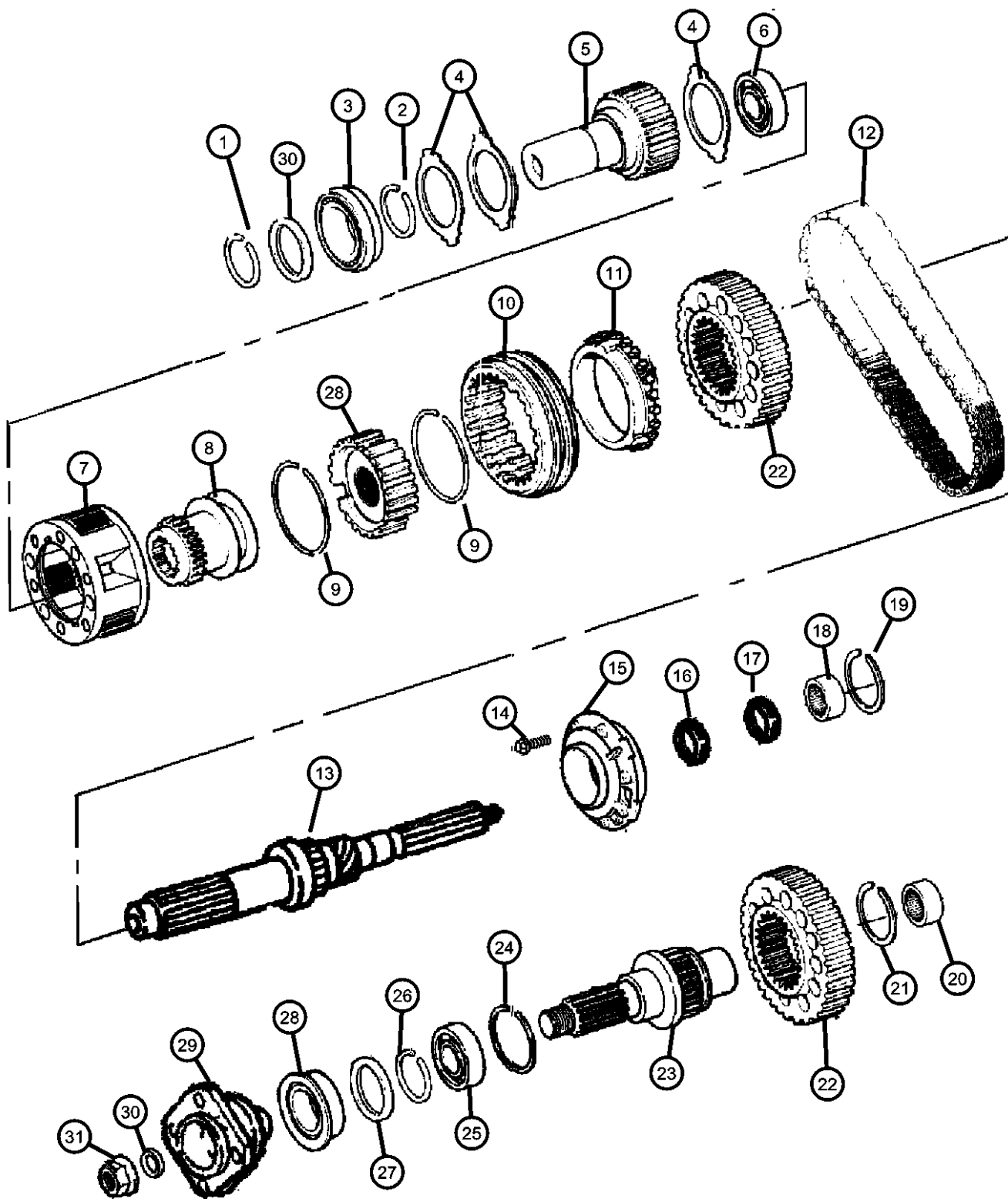
- [DBB]=All Manual Transmissions
- [DEH]=6-Speed Manual NSG370 Transmission
- [DGQ]=5-Speed Automatic 5-45RFE Transmission
- [DGV]=4-Speed Automatic VLP Transmission
- [DG0]=All Automatic Transmissions
- [DG6]=4-Speed Automatic 42RLE Transmission
- [DHE]=Command-Trac H.D. Part Time NVG 241 GII Transfer Case
- [DHN]=Command-Trac Part Time NVG 231 Transfer Case
- [DHP]=Selec-Trac Full Time NVG 242 Transfer Case
- [EKG]=3.7L "Magnum" V-6 Engine
- [EK0]=All 3.7L 6-Cylinder Gas Engines
- [ENR]=2.8L 4-Cylinder Turbo Diesel Engine
- [EN0]=All 4/5 Cylinder Diesel Engines
- [NAA]=Federal Emissions
- [NAE]=California Emissions
- [NAS]=50 States Emissions
- [NA1]=Export Emissions
- [XEF]=Transfer Case Skid Plate Sheild

1	05072460AA	1	J, U						SNAP RING
2	05072459AA	1	J, U						SNAP RING
3	05072458AA	1	J, U						BEARING, Input Gear
4	04338908	2	J, U						THRUST WASHER, Planetary Carrier
5	05072464AA	1	J, U						GEAR, Input
6	05080499AA	1	J, U						BEARING, Input Gear
7	04796903AB	1	J, U						PLANETARY, Transfer Case
8	05086104AA	1	J, U						SLEEVE, Shift Range
9	05080503AA	1	J, U						SNAP RING, Clutch Gear
10	05080207AA	1	J, U						SLEEVE, Mode Synchronizer
11	05080504AA	1	J, U						HUB, Synchronizer
12	05012322AB	1	J, U						CHAIN, Transfer Case
13	05080180AA	1	J, U						MAINSHAFT, Transfer Case
14	05101858AA	6	J, U						BOLT, Retainer
15	05101878AA	1	J, U						HOUSING, Pump

LIBERTY (KJ)		BODY	ENGINE	TRANSMISSION
SERIES	LINE	74 = SPORT UTILITY 4-DR	EKG = 3.7L V6 Engine	DG6 = 4-Spd. Automatic 42RLE Transmission
H = HIGHLINE	T = JEEP - 2WD		ENR = 2.8L 4 Cyl Turbo Diesel Engine	DGV = 4-Spd. Automatic VLP Transmission
M = MEDIUM	J = JEEP - 4WD		ENJ = 2.5L 4 Cyl 16V Turbo Diesel Engine	DGQ = 5-Spd Automatic 5-45RFE Transmission
P = PREMIUM	U = JEEP - 4WD (RHD)		ED1 = 2.4L 4 Cyl DOHC 16v SMPI Engine	DEH = 6-Speed Manual NSG370 Transmission
				DDD = 5-Speed HD Manual Transmission
				DDK = 5-Speed HD Manual Transmission

AR = use ase required - = Non illustrated part

**Gear Train NVG 241 [DHE] Manual Shift On The Fly  
Figure 241-405**



ITEM	PART NUMBER	QTY	LINE	SERIES	BODY	ENGINE	TRANS	TRIM	DESCRIPTION
16	05101879AA	1	J, U						ROTOR, Inner
17	05101880AA	1	J, U						ROTOR, Outer
18	04897981AA	1	J, U						BEARING, Output Shaft
19	06025755	1	J, U						SNAP RING, 1.28 ID
20	04269189	1	J, U						BEARING, Output Shaft
21	05080503AA	1	J, U						SNAP RING, Clutch Gear
22	05159110AA	1	J, U						SPROCKET, Transfer Case
23	05093602AA	1	J, U						OUTPUT SHAFT, Transfer Case
24	0089331A	1	J, U						SNAP RING
25	04897981AA	1	J, U						BEARING, Output Shaft, Front Output
26	05072459AA	1	J, U						SNAP RING
27	04798125	1	J, U						SEAL, Output Shaft
28	05093605AA	1	J, U						SLEEVE, Wear
29	05103223AA	1	J, U						FLANGE, Driveshaft Yoke
30	04210973	1	J, U						WASHER, Transfer Case Yoke
31	04167924	1	J, U						NUT, Transfer Case Yoke

**LIBERTY (KJ)**  
 SERIES                      LINE  
 H = HIGHLINE            T = JEEP - 2WD  
 M = MEDIUM             J = JEEP - 4WD  
 P = PREMIUM             U = JEEP - 4WD (RHD)

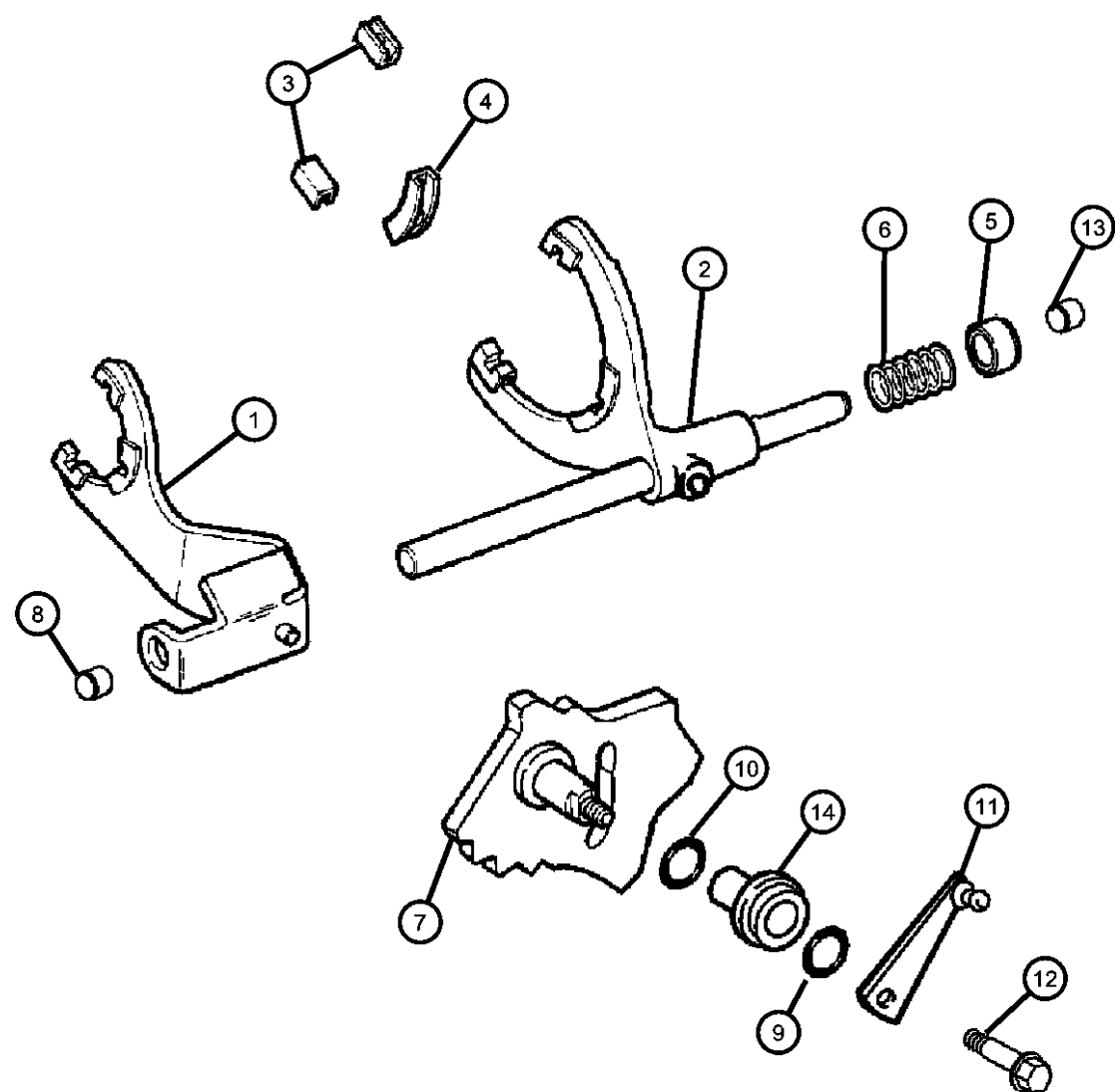
**BODY**  
 74 = SPORT UTILITY 4-DR

**ENGINE**  
 EKG = 3.7L V6 Engine  
 ENR = 2.8L 4 Cyl Turbo Diesel Engine  
 ENJ = 2.5L 4 Cyl 16V Turbo Diesel Engine  
 ED1 = 2.4L 4 Cyl DOHC 16v SMPI Engine

**TRANSMISSION**  
 DG6 = 4-Spd. Automatic 42RLE Transmission  
 DGV = 4-Spd. Automatic VLP Transmission  
 DGQ = 5-Spd Automatic 5-45RFE Transmission  
 DEH = 6-Speed Manual NSG370 Transmission  
 DDD = 5-Speed HD Manual Transmission  
 DDK = 5-Speed HD Manual Transmission

AR = use ase required - = Non illustrated part

Forks And Rails NVG 241 [DHE] Manual Shift On The Fly  
Figure 241-905



ITEM	PART NUMBER	QTY	LINE	SERIES	BODY	ENGINE	TRANS	TRIM	DESCRIPTION
1	04798136	1	J, U						FORK, Range
2	05080158AA	1	J, U						FORK, Transfer Case Mode Shift
3	04167969	2	J, U						PAD, Shift Fork
4	04219073	1	J, U						PAD, Shift Fork
5	83503515	1	J, U						CUP, Shift Fork Spring
6	00013816	1	J, U						SPRING, Mode Fork
7	05159105AA	1	J, U						SECTOR, Transfer Case
8	04338945	1	J, U						BUSHING, Shift Rail
9	05014046AA	1	J, U						SEAL, Sector Shaft
10	05080761AA	1	J, U						SEAL, Gearshift Lever
11	05159109AA	1	J, U						LEVER, Transfer Case
12	05014048AA	1	J, U						BOLT, Hex Head
13	04338945	1	J, U						BUSHING, Shift Rail
14	05080760AA	1	J, U						SUPPORT, Gearshift Lever

LIBERTY (KJ)

SERIES      LINE  
H = HIGHLINE    T = JEEP - 2WD  
M = MEDIUM     J = JEEP - 4WD  
P = PREMIUM    U = JEEP - 4WD (RHD)

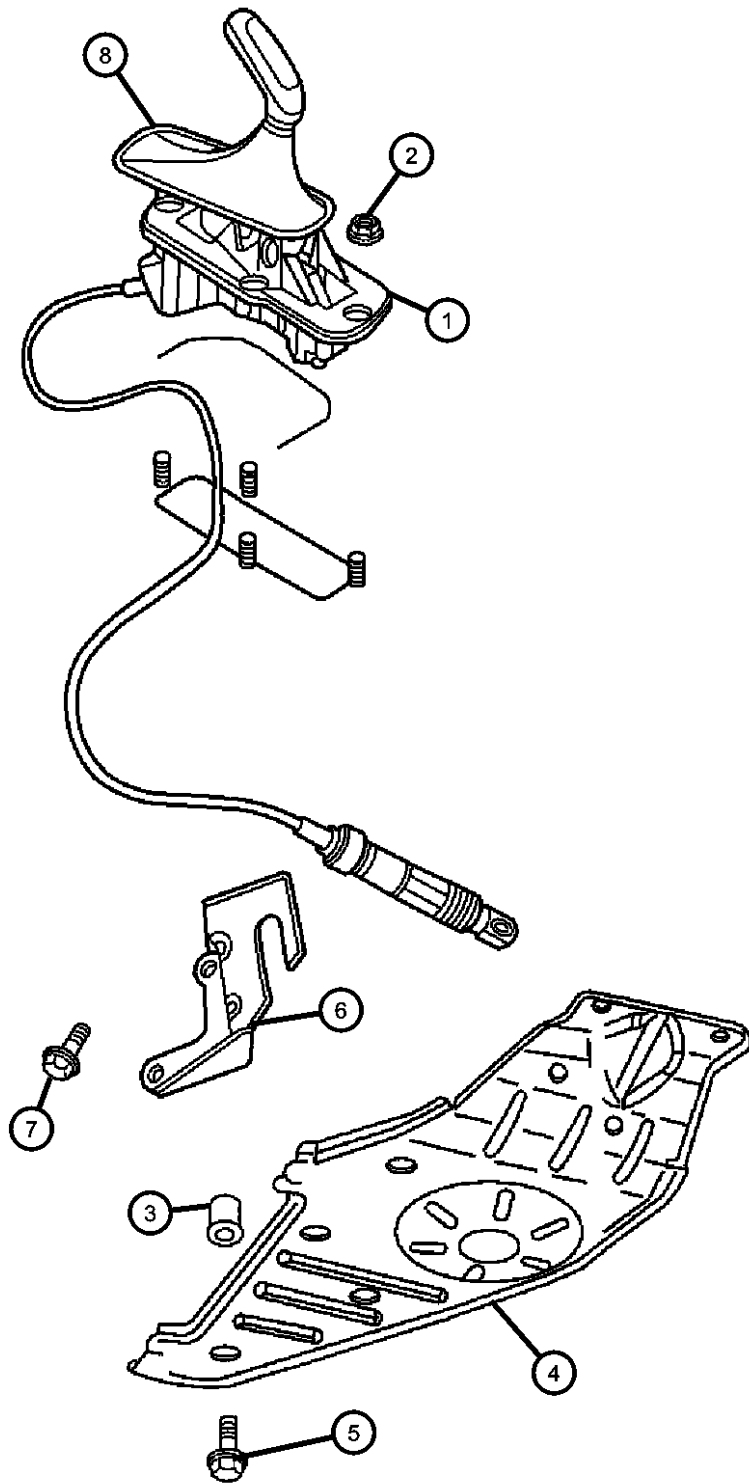
BODY  
74 = SPORT UTILITY 4-DR

ENGINE      TRANSMISSION  
EKG = 3.7L V6 Engine      DG6 = 4-Spd. Automatic 42RLE  
ENR = 2.8L 4 Cyl Turbo Diesel Engine      DGV = 4-Spd. Automatic VLP  
ENJ = 2.5L 4 Cyl 16V Turbo Diesel Engine      DGQ = 5-Spd Automatic 5-45RFE  
ED1 = 2.4L 4 Cyl DOHC 16v SMPI Engine      DEH = 6-Speed Manual NSG370  
Transmission  
DDD = 5-Speed HD Manual Transmission  
DDK = 5-Speed HD Manual Transmission

AR = use ase required - = Non illustrated part

2006 KJ

**Shift Controls NVG 241 [DHE] Manual Shift On The Fly  
Figure 241-1205**



ITEM	PART NUMBER	QTY	LINE	SERIES	BODY	ENGINE	TRANS	TRIM	DESCRIPTION
------	-------------	-----	------	--------	------	--------	-------	------	-------------

**NOTE:**

Refer To All Proper Tag Numbers And Stamping Numbers Before Ordering Transfer Cases And/ Or Transfer Case Parts.

Sales Codes:

- [DBB]=All Manual Transmissions
- [DEH]=6-Speed Manual NSG370 Transmission
- [DGQ]=5-Speed Automatic 5-45RFE Transmission
- [DGV]=4-Speed Automatic VLP Transmission
- [DG0]=All Automatic Transmissions
- [DG6]=4-Speed Automatic 42RLE Transmission
- [DHE]=Command-Trac H.D. Part Time NVG 241 GII Transfer Case
- [DHN]=Command-Trac Part Time NVG 231 Transfer Case
- [DHP]=Selec-Trac Full Time NVG 242 Transfer Case
- [EKG]=3.7L "Magnum" V-6 Engine
- [EK0]=All 3.7L 6-Cylinder Gas Engines
- [ENR]=2.8L 4-Cylinder Turbo Diesel Engine
- [EN0]=All 4/5 Cylinder Diesel Engines
- [NAA]=Federal Emissions
- [NAE]=California Emissions
- [NAS]=50 States Emissions
- [NA1]=Export Emissions
- [XEF]=Transfer Case Skid Plate Sheild

1	52128999AG	1	J, U						SHIFTER, Transfer Case
2	34201358	4							NUT AND WASHER, Hex Nut-Sealing Washer, M6 x 1.00, Transfer Case Cover To Floor Pan, Mounting
3	06506644AA	4	J, U						RIVET, [M10X1.50X17.7], Transfer Case Skid Plate, Mounting
4	52129091AA	1	J, U						PLATE, Transfer Case Skid
5	06506027AA	4	J, U						SCREW, Hex Head, [M10X1.50X40.00], Transfer Case Skid Plate To Body, Mounting
6									BRACKET, Shifter
	52128954AB	1	J, U				DG6, DGV		
	52128955AB	1	J, U				DGQ		
	52128956AB	1	J, U				DBB		
7	06101752	3	J, U				DG0		SCREW AND WASHER, Hex Head, M10x1.5x28, Transfer Case Bracket, Mounting
8	52109709AE	1	J, U						BOOT, Gearshift

**LIBERTY (KJ)**

SERIES	LINE
H = HIGHLINE	T = JEEP - 2WD
M = MEDIUM	J = JEEP - 4WD
P = PREMIUM	U = JEEP - 4WD (RHD)

BODY
74 = SPORT UTILITY 4-DR

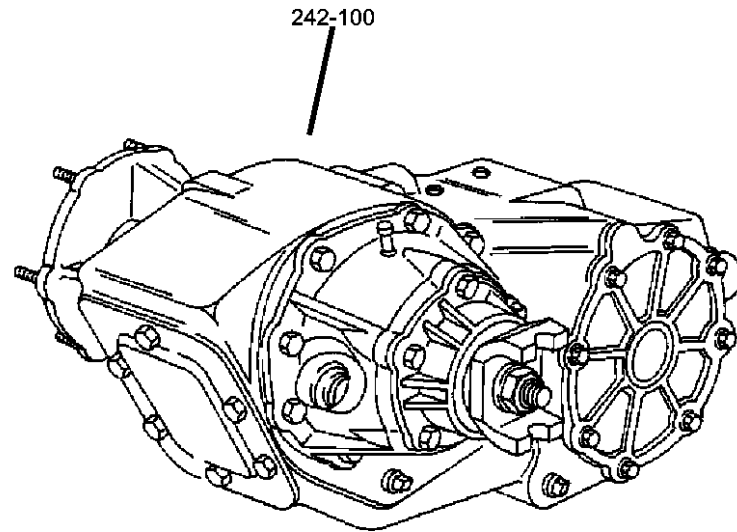
ENGINE	TRANSMISSION
EKG = 3.7L V6 Engine	DG6 = 4-Spd. Automatic 42RLE Transmission
ENR = 2.8L 4 Cyl Turbo Diesel Engine	DGV = 4-Spd. Automatic VLP Transmission
ENJ = 2.5L 4 Cyl 16V Turbo Diesel Engine	DGQ = 5-Spd Automatic 5-45RFE Transmission
ED1 = 2.4L 4 Cyl DOHC 16v SMPI Engine	DEH = 6-Speed Manual NSG370 Transmission
	DDD = 5-Speed HD Manual Transmission
	DDK = 5-Speed HD Manual Transmission

AR = use ase required - = Non illustrated part

2006 KJ

# Group - 242

## Transfer Case Model 242 [DHP]



### Group - 242 Transfer Case Model 242 [DHP]

Illustration Title

Group-Fig. No.

#### Transfer Case Assembly

Transfer Case NVG 242 [DHP] ..... Fig. 242 - 105

#### Case and Related Parts

Case and Related Parts Select Trac NVG 242 [DHP]..... Fig. 242 - 205

#### Gear Train

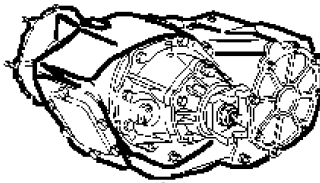


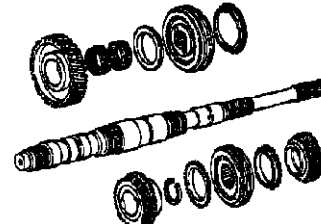
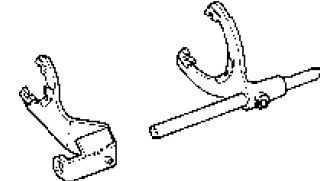
Gear Train Select Trac NVG 242 [DHP]..... Fig. 242 - 405

#### Fork and Rails

Forks and Rails Select Trac NVG 242 [DHP] ..... Fig. 242 - 905

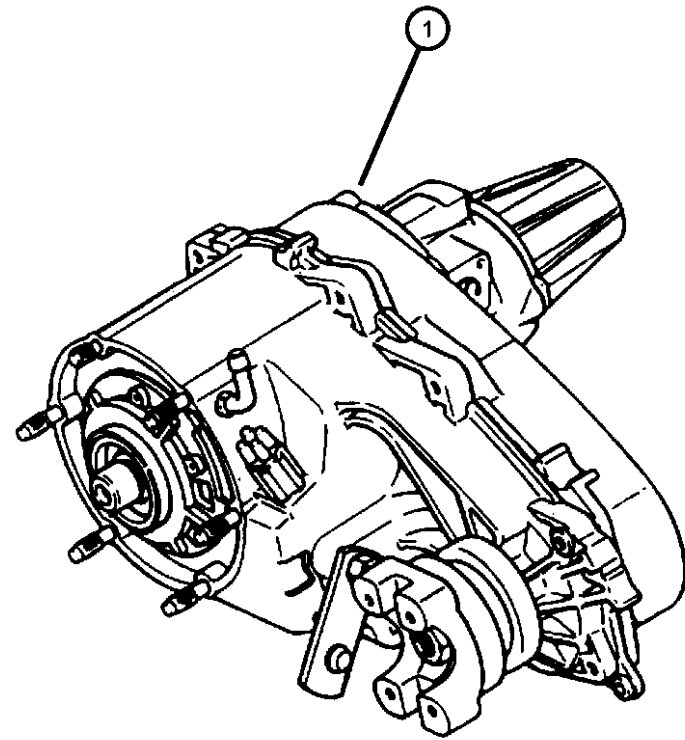
#### Gearshift Controls

Gearshift Controls NVG 242 [DHP] ..... Fig. 242 - 1205

<p><b>242-100</b> Transfer Case Assembly</p> 	<p><b>242-1200</b> Gearshift Controls</p> 	<p><b>242-200</b> Case and Related Parts</p> 	<p><b>242-400</b> Gear Train</p> 
<p><b>242-900</b> Fork and Rails</p> 			

**Transfer Case NVG 242 [DHP]  
Figure 242-105**

ITEM	PART NUMBER	QTY	LINE	SERIES	BODY	ENGINE	TRANS	TRIM	DESCRIPTION
------	-------------	-----	------	--------	------	--------	-------	------	-------------



**NOTE:**

Refer To All Proper Tag Numbers And Stamping Numbers Before Ordering Transfer Cases And/ Or Transfer Case Parts.

Sales Codes:

- [DBB]=All Manual Transmissions
- [DEH]=6-Speed Manual NSG370 Transmission
- [DGQ]=5-Speed Automatic 5-45RFE Transmission
- [DGV]=4-Speed Automatic VLP Transmission
- [DG0]=All Automatic Transmissions
- [DG6]=4-Speed Automatic 42RLE Transmission
- [DHE]=Command-Trac H.D. Part Time NVG 241 GII Transfer Case
- [DHN]=Command-Trac Part Time NVG 231 Transfer Case
- [DHP]=Selec-Trac Full Time NVG 242 Transfer Case
- [EKG]=3.7L "Magnum" V-6 Engine
- [EK0]=All 3.7L 6-Cylinder Gas Engines
- [ENR]=2.8L 4-Cylinder Turbo Diesel Engine
- [EN0]=All 4/5 Cylinder Diesel Engines
- [NAA]=Federal Emissions
- [NAE]=California Emissions
- [NAS]=50 States Emissions
- [NA1]=Export Emissions
- [XEF]=Transfer Case Skid Plate Shield

1	52853123AD	1	J, U
---	------------	---	------

TRANSFER CASE, NP242

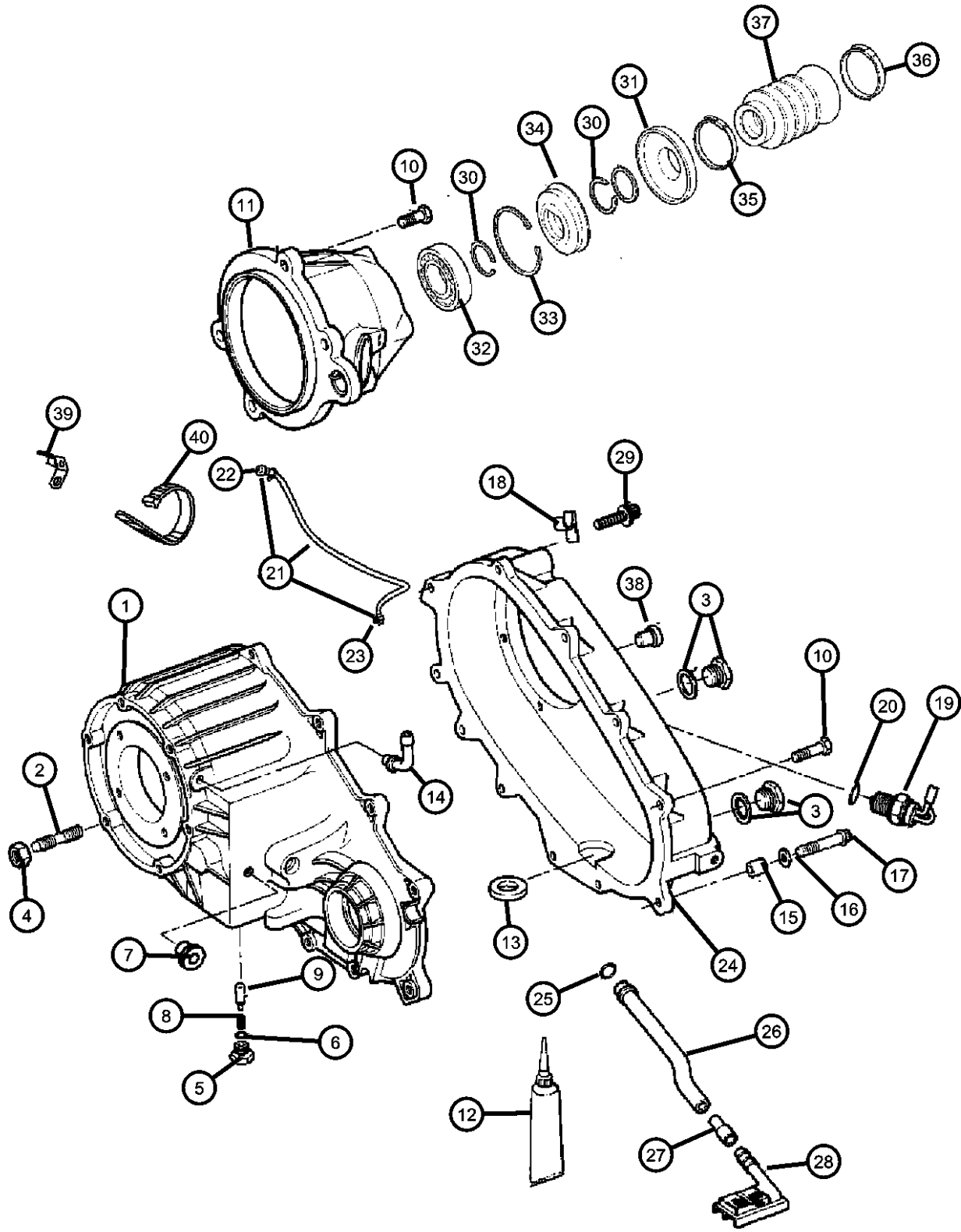
**LIBERTY (KJ)**

SERIES	LINE	BODY	ENGINE	TRANSMISSION
H = HIGHLINE	T = JEEP - 2WD	74 = SPORT UTILITY 4-DR	EKG = 3.7L V6 Engine	DG6 = 4-Spd. Automatic 42RLE
M = MEDIUM	J = JEEP - 4WD		ENR = 2.8L 4 Cyl Turbo Diesel Engine	Transmission
P = PREMIUM	U = JEEP - 4WD (RHD)		ENJ = 2.5L 4 Cyl 16V Turbo Diesel Engine	DGV = 4-Spd. Automatic VLP
			ED1 = 2.4L 4 Cyl DOHC 16v SMPI Engine	Transmission
				DGQ = 5-Spd Automatic 5-45RFE
				Transmission
				DEH = 6-Speed Manual NSG370
				Transmission
				DDD = 5-Speed HD Manual
				Transmission
				DDK = 5-Speed HD Manual
				Transmission

AR = use ase required - = Non illustrated part



**Case and Related Parts Select Trac NVG 242 [DHP]  
Figure 242-205**



ITEM	PART NUMBER	QTY	LINE	SERIES	BODY	ENGINE	TRANS	TRIM	DESCRIPTION
------	-------------	-----	------	--------	------	--------	-------	------	-------------

**NOTE:**

Refer To All Proper Tag Numbers And Stamping Numbers Before Ordering Transfer Cases And/ Or Transfer Case Parts.

**Sales Codes:**

- [DBB]=All Manual Transmissions
- [DEH]=6-Speed Manual NSG370 Transmission
- [DGQ]=5-Speed Automatic 5-45RFE Transmission
- [DGV]=4-Speed Automatic VLP Transmission
- [DG0]=All Automatic Transmissions
- [DG6]=4-Speed Automatic 42RLE Transmission
- [DHE]=Command-Trac H.D. Part Time NVG 241 GII Transfer Case
- [DHN]=Command-Trac Part Time NVG 231 Transfer Case
- [DHP]=Selec-Trac Full Time NVG 242 Transfer Case
- [EKG]=3.7L "Magnum" V-6 Engine
- [EK0]=All 3.7L 6-Cylinder Gas Engines
- [ENR]=2.8L 4-Cylinder Turbo Diesel Engine
- [EN0]=All 4/5 Cylinder Diesel Engines
- [NAA]=Federal Emissions
- [NAE]=California Emissions
- [NAS]=50 States Emissions
- [NA1]=Export Emissions
- [XEF]=Transfer Case Skid Plate Sheild

1	05072315AA	1	J, U						CASE, Transfer Front
2	04167922	6	J, U						STUD, Tranmission Case
3	04856641	2	J, U						PLUG, Oil Fill
4	J4006681	6	J, U						NUT AND CONED WASHER, Hex, .375-24
5	04886473AA	1	J, U						SCREW
6	04338956	1	J, U						SEAL, Vacuum Switch
7									PLUG
	00015105	1	J, U						
	04880129AA	2	U			EN0			
8	05003445AA	1	J, U						SPRING, Poppet Plunger
9	05003444AA	1	J, U						PLUNGER
10	04210617	8	J, U						BOLT, Transfer Case
11	05072305AA	1	J, U						RETAINER, Transfer Case Rear
12	05010884AA	1	J, U						SEALANT, RTV
13	03681601	1	J, U						MAGNET, Transmission

**LIBERTY (KJ)**

SERIES	LINE
H = HIGHLINE	T = JEEP - 2WD
M = MEDIUM	J = JEEP - 4WD
P = PREMIUM	U = JEEP - 4WD (RHD)

BODY
74 = SPORT UTILITY 4-DR

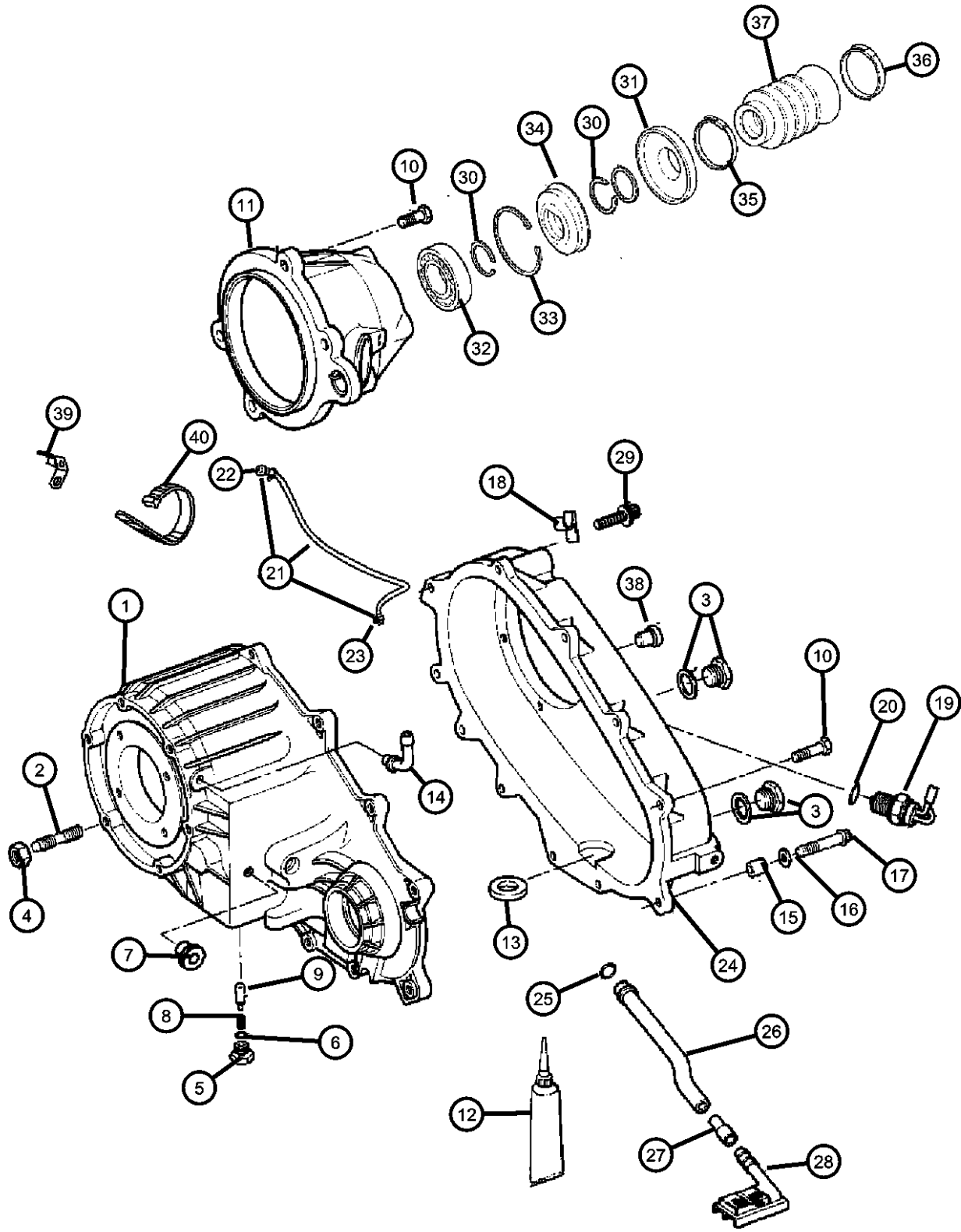
ENGINE
EKG = 3.7L V6 Engine
ENR = 2.8L 4 Cyl Turbo Diesel Engine
ENJ = 2.5L 4 Cyl 16V Turbo Diesel Engine
ED1 = 2.4L 4 Cyl DOHC 16v SMPI Engine

TRANSMISSION
DG6 = 4-Spd. Automatic 42RLE Transmission
DGV = 4-Spd. Automatic VLP Transmission
DGQ = 5-Spd Automatic 5-45RFE Transmission
DEH = 6-Speed Manual NSG370 Transmission
DDD = 5-Speed HD Manual Transmission
DDK = 5-Speed HD Manual Transmission

AR = use ase required - = Non illustrated part

2006 KJ

Case and Related Parts Select Trac NVG 242 [DHP]  
Figure 242-205



ITEM	PART NUMBER	QTY	LINE	SERIES	BODY	ENGINE	TRANS	TRIM	DESCRIPTION
14	04796910	1	J, U						VENT, Transfer Case
15	04116310	2	J, U						DOWEL, Transfer Case
16	04210983	2	J, U						WASHER, Flat
17	04210614	1	J, U						BOLT, Hex Flange Head
18	04210614	1							CLIP, (NOT REQUIRED)
19	05083138AA	1	J, U						SWITCH, Transfer Case, 5 Position
20	04338956	1	J, U						SEAL, Vacuum Switch
21	52105882AA	1	J, U						HOSE, Vent
22	04213328	1	J, U						VENT, Cap
23	06502081	1	J, U						CLAMP, Oil Cooler Line
24	05013858AA	1	J, U						CASE, Transfer Rear
25	04338942	1	J, U						SEAL, Oil
26	05003455AA	1	J, U						TUBE, Oil Pickup
27	04338944	1	J, U						CONNECTOR, Oil Tube Pickup
28	04338943	1	J, U						FILTER, Transfer Case Oil
29	J8130979	1	J, U						BOLT, Twelve Point Head, M10x1.5x48
30	04883597AA	2	J, U						SNAP RING
31	05072308AA	1	J, U						SLINGER, Transfer Case Flange
32	02466224	1	J, U						BEARING, Output Shaft
33	05072306AB	1	J, U						SNAP RING
34	05072307AA	1	J, U						SEAL, Output Shaft
35	05072310AA	1	J, U						CLAMP, Boot
36	05072311AA	1	J, U						CLAMP, Boot
37	05072329AB	1	J, U						BOOT, Output Shaft, None
38	04638953	1	J, U						DOWEL
39	56041823AB	1	J, U			ENO	DBB		BRACKET, Oxygen Sensor
40	05073039AA	1	J, U						STRAP, Tie

LIBERTY (KJ)

SERIES	LINE
H = HIGHLINE	T = JEEP - 2WD
M = MEDIUM	J = JEEP - 4WD
P = PREMIUM	U = JEEP - 4WD (RHD)

BODY
74 = SPORT UTILITY 4-DR

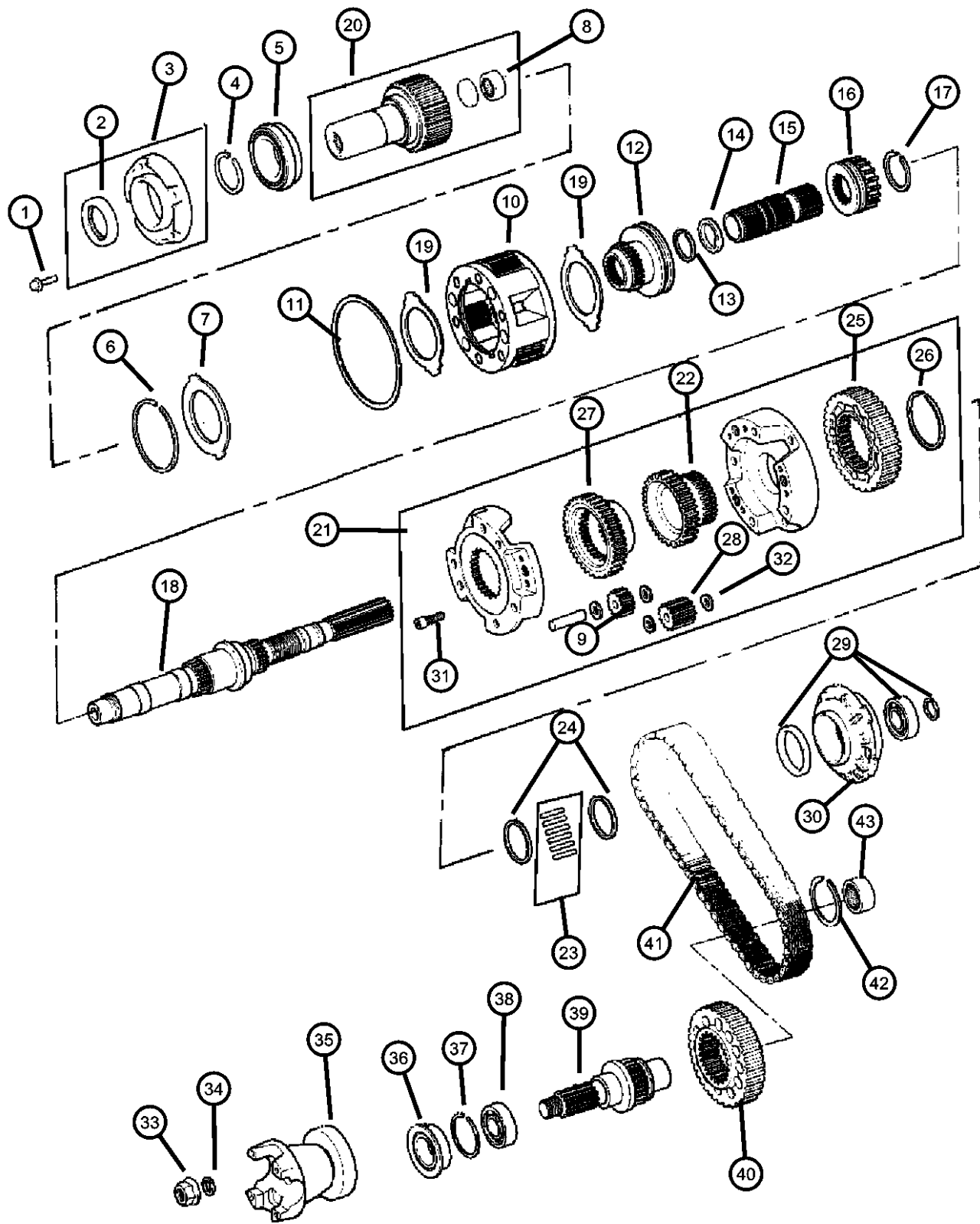
ENGINE
EKG = 3.7L V6 Engine
ENR = 2.8L 4 Cyl Turbo Diesel Engine
ENJ = 2.5L 4 Cyl 16V Turbo Diesel Engine
ED1 = 2.4L 4 Cyl DOHC 16v SMPI Engine

TRANSMISSION
DG6 = 4-Spd. Automatic 42RLE Transmission
DGV = 4-Spd. Automatic VLP Transmission
DGQ = 5-Spd Automatic 5-45RFE Transmission
DEH = 6-Speed Manual NSG370 Transmission
DDD = 5-Speed HD Manual Transmission
DDK = 5-Speed HD Manual Transmission

AR = use ase required - = Non illustrated part

2006 KJ

**Gear Train Select Trac NVG 242 [DHP]  
Figure 242-405**



ITEM	PART NUMBER	QTY	LINE	SERIES	BODY	ENGINE	TRANS	TRIM	DESCRIPTION
------	-------------	-----	------	--------	------	--------	-------	------	-------------

**NOTE:**

Refer To All Proper Tag Numbers And Stamping Numbers Before Ordering Transfer Cases And/ Or Transfer Case Parts.

**Sales Codes:**

- [DBB]=All Manual Transmissions
- [DEH]=6-Speed Manual NSG370 Transmission
- [DGQ]=5-Speed Automatic 5-45RFE Transmission
- [DGV]=4-Speed Automatic VLP Transmission
- [DG0]=All Automatic Transmissions
- [DG6]=4-Speed Automatic 42RLE Transmission
- [DHE]=Command-Trac H.D. Part Time NVG 241 GII Transfer Case
- [DHN]=Command-Trac Part Time NVG 231 Transfer Case
- [DHP]=Selec-Trac Full Time NVG 242 Transfer Case
- [EKG]=3.7L "Magnum" V-6 Engine
- [EK0]=All 3.7L 6-Cylinder Gas Engines
- [ENR]=2.8L 4-Cylinder Turbo Diesel Engine
- [EN0]=All 4/5 Cylinder Diesel Engines
- [NAA]=Federal Emissions
- [NAE]=California Emissions
- [NAS]=50 States Emissions
- [NA1]=Export Emissions
- [XEF]=Transfer Case Skid Plate Sheild

1	06501371	4	J, U						BOLT, Retainer, M10X1.50X30.00
2	05019020AB	1	J, U						SEAL, Input Gear
3	04338973	1	J, U						EXTENSION, Transfer Case
4	03821558	1	J, U						SNAP RING
5	04746155	1	J, U						BEARING, Input Gear
6	04338910	1	J, U						SNAP RING
7	05019579AA	1	J, U						PLATE
8	83503507	1	J, U						BEARING, Input Shaft
9	83504170	1	J, U						GEAR, Planetary
10	04796903AB	1	J, U						PLANETARY, Transfer Case
11	04219065	1	J, U						SNAP RING, Annulus Gear
12	05003746AA	1	J, U						SLEEVE, Shift Range
13	83503540	1	J, U						SNAP RING
14	83503539	1	J, U						WASHER, Intermediate Sleeve
15	04798277	1	J, U						SHAFT, Intermediate

**LIBERTY (KJ)**

SERIES	LINE
H = HIGHLINE	T = JEEP - 2WD
M = MEDIUM	J = JEEP - 4WD
P = PREMIUM	U = JEEP - 4WD (RHD)

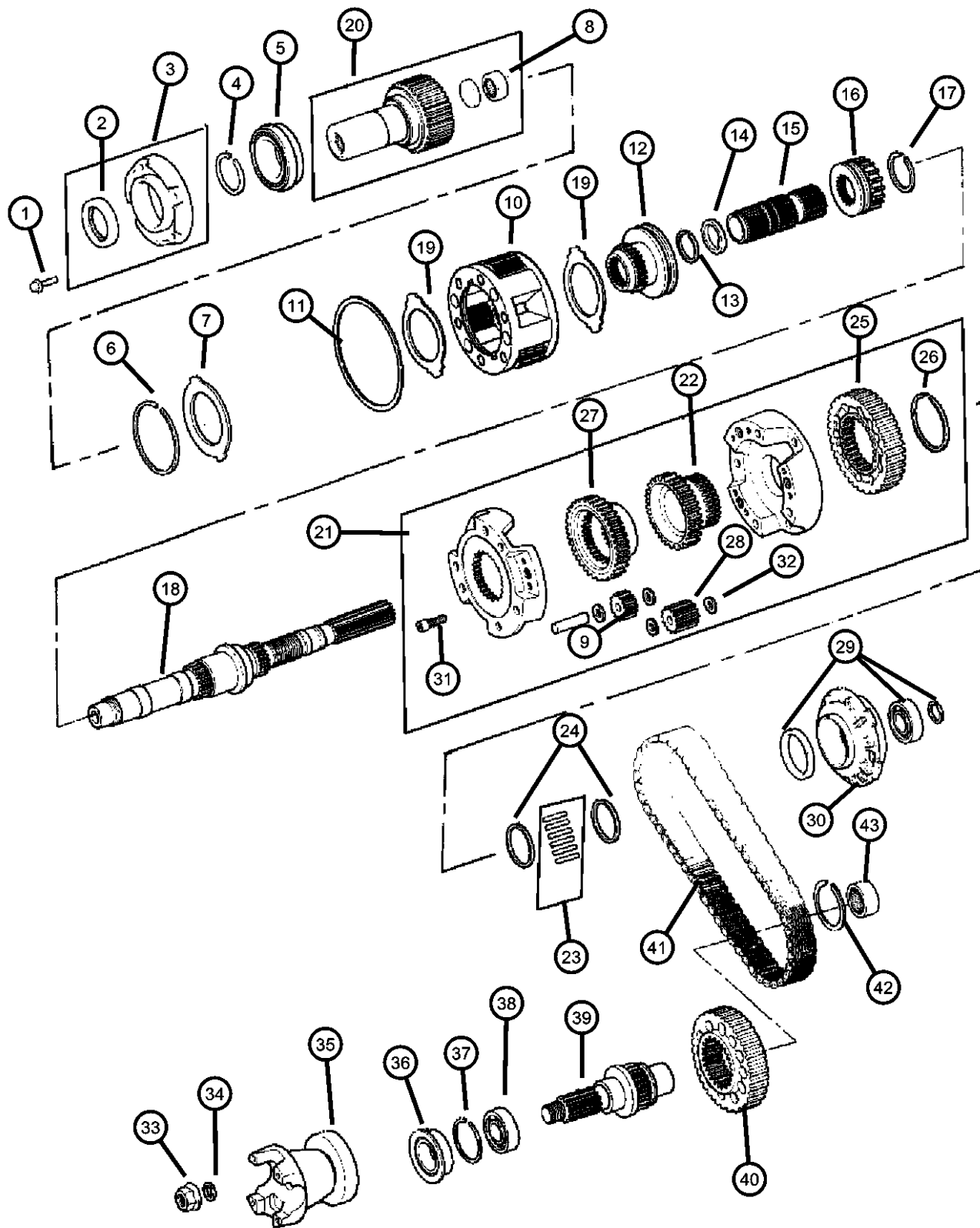
BODY
74 = SPORT UTILITY 4-DR

ENGINE	TRANSMISSION
EKG = 3.7L V6 Engine	DG6 = 4-Spd. Automatic 42RLE Transmission
ENR = 2.8L 4 Cyl Turbo Diesel Engine	DGV = 4-Spd. Automatic VLP Transmission
ENJ = 2.5L 4 Cyl 16V Turbo Diesel Engine	DGQ = 5-Spd Automatic 5-45RFE Transmission
ED1 = 2.4L 4 Cyl DOHC 16v SMPI Engine	DEH = 6-Speed Manual NSG370 Transmission
	DDD = 5-Speed HD Manual Transmission
	DDK = 5-Speed HD Manual Transmission

AR = use ase required - = Non illustrated part

2006 KJ

**Gear Train Select Trac NVG 242 [DHP]  
Figure 242-405**



ITEM	PART NUMBER	QTY	LINE	SERIES	BODY	ENGINE	TRANS	TRIM	DESCRIPTION
16	83503542	1	J, U						SLEEVE, Mode Synchronizer
17	83503537	1	J, U						SNAP RING
18	05072299AA	1	J, U						MAINSHAFT, Transfer Case
19	04338908	2	J, U						THRUST WASHER, Planetary Carrier
20	05003446AA	1	J, U						GEAR, Input
21	05072300AA	1	J, U						DIFFERENTIAL, Transfer Case
22	05072301AA	1	J, U						SPROCKET, Transfer Case
23	05066996AA	1	J, U						NEEDLE BEARING, Roller Cage, None
24	04338908	2	J, U						THRUST WASHER, Planetary Carrier
25	83503536	1	J, U						SPROCKET, Differential
26	83503532	1	J, U						SNAP RING
27	05003450AA	1	J, U						GEAR, Differential Drive
28	83504169	3	J, U						GEAR, Planetary
29	83504169	3							SEAL, Main Shaft, (NOT REQUIRED)
30	04883596AA	1	J, U						PUMP, Transfer Case Oil
31	04886473AA	1	J, U						SCREW
32	83504168	12	J, U						WASHER, Differential Gear
33	04167924	1	J, U						NUT, Transfer Case Yoke
34	04210973	1	J, U						WASHER, Transfer Case Yoke
35	05103223AA	1	J, U						FLANGE, Driveshaft Yoke
36	04798125	1	J, U						SEAL, Output Shaft
37	0089331A	1	J, U						SNAP RING
38	04269189	1	J, U						BEARING, Output Shaft
39	05012336AA	1	J, U						OUTPUT SHAFT, Transfer Case
40	05072302AA	1	J, U						SPROCKET, Transfer Case
41	05012322AB	1	J, U						CHAIN, Transfer Case
42	04167991	1	J, U						SNAP RING, Bearing
43	04883601AA	1	J, U						BEARING, Output Shaft

**LIBERTY (KJ)**

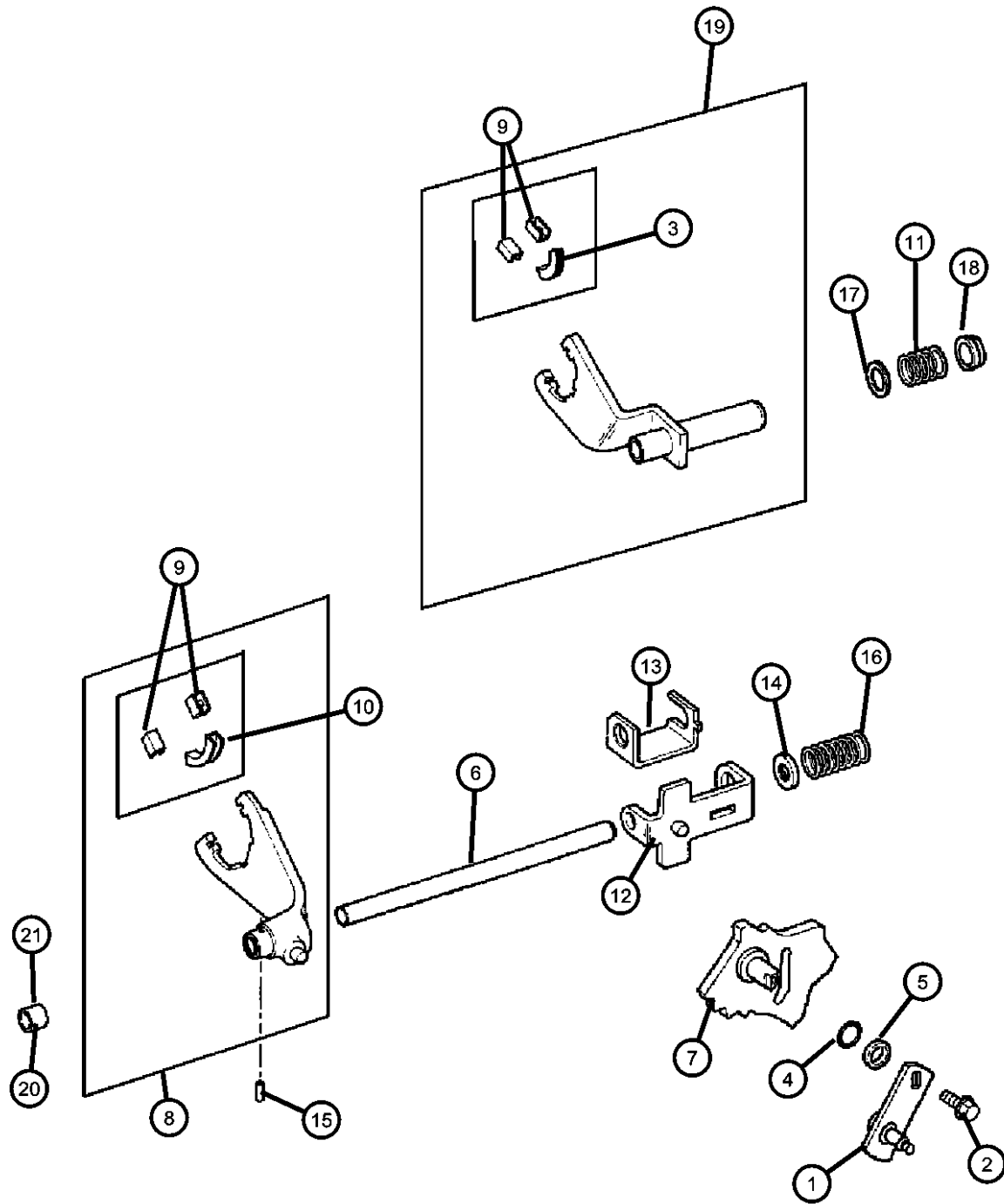
SERIES      LINE  
H = HIGHLINE    T = JEEP - 2WD  
M = MEDIUM      J = JEEP - 4WD  
P = PREMIUM      U = JEEP - 4WD (RHD)

BODY  
74 = SPORT UTILITY 4-DR

ENGINE      TRANSMISSION  
EKG = 3.7L V6 Engine      DG6 = 4-Spd. Automatic 42RLE  
ENR = 2.8L 4 Cyl Turbo Diesel Engine      Transmission  
ENJ = 2.5L 4 Cyl 16V Turbo Diesel Engine      DGV = 4-Spd. Automatic VLP  
ED1 = 2.4L 4 Cyl DOHC 16V SMPI Engine      Transmission  
DGQ = 5-Spd Automatic 5-45RFE  
DEH = 6-Speed Manual NSG370  
Transmission  
DDD = 5-Speed HD Manual  
Transmission  
DDK = 5-Speed HD Manual  
Transmission

AR = use ase required - = Non illustrated part

Forks and Rails Select Trac NVG 242 [DHP]  
Figure 242-905



NOTE:

Refer To All Proper Tag Numbers And Stamping Numbers Before Ordering Transfer Cases And/ Or Transfer Case Parts.

Sales Codes:

- [DBB]=All Manual Transmissions
- [DEH]=6-Speed Manual NSG370 Transmission
- [DGQ]=5-Speed Automatic 5-45RFE Transmission
- [DGV]=4-Speed Automatic VLP Transmission
- [DG0]=All Automatic Transmissions
- [DG6]=4-Speed Automatic 42RLE Transmission
- [DHE]=Command-Trac H.D. Part Time NVG 241 GII Transfer Case
- [DHN]=Command-Trac Part Time NVG 231 Transfer Case
- [DHP]=Selec-Trac Full Time NVG 242 Transfer Case
- [EKG]=3.7L "Magnum" V-6 Engine
- [EK0]=All 3.7L 6-Cylinder Gas Engines
- [ENR]=2.8L 4-Cylinder Turbo Diesel Engine
- [EN0]=All 4/5 Cylinder Diesel Engines
- [NAA]=Federal Emissions
- [NAE]=California Emissions
- [NAS]=50 States Emissions
- [NA1]=Export Emissions
- [XEF]=Transfer Case Skid Plate Sheild

ITEM	PART NUMBER	QTY	LINE	SERIES	BODY	ENGINE	TRANS	TRIM	DESCRIPTION
1	05159093AA	1	J, U						LEVER, Transfer Case
2	05014048AA	1	J, U						BOLT, Hex Head
3	04338376	1	J, U						PAD, Shift Fork
4	05014046AA	1	J, U						SEAL, Sector Shaft
5	05003442AA	1	J, U						BEARING, Shift Lever Linkage
6	83504469	1	J, U						RAIL, Transfer Case
7	05072569AA	1	J, U						SECTOR, Transfer Case
8	05003459AA	1	J, U						FORK, Range
9	04167969	2	J, U						PAD, Shift Fork
10	04167970	1	J, U						PAD, Shift Fork
11	83503513	1	J, U						SPRING, Mode Shift Fork
12	83503510	1	J, U						BRACKET, Shift Mode
13	83503511	1	J, U						BRACKET, Shift Mode
14	83503515	1	J, U						CUP, Shift Fork Spring
15	01664355	1	J, U						PIN, Shift Fork

LIBERTY (KJ)

SERIES	LINE
H = HIGHLINE	T = JEEP - 2WD
M = MEDIUM	J = JEEP - 4WD
P = PREMIUM	U = JEEP - 4WD (RHD)

BODY
74 = SPORT UTILITY 4-DR

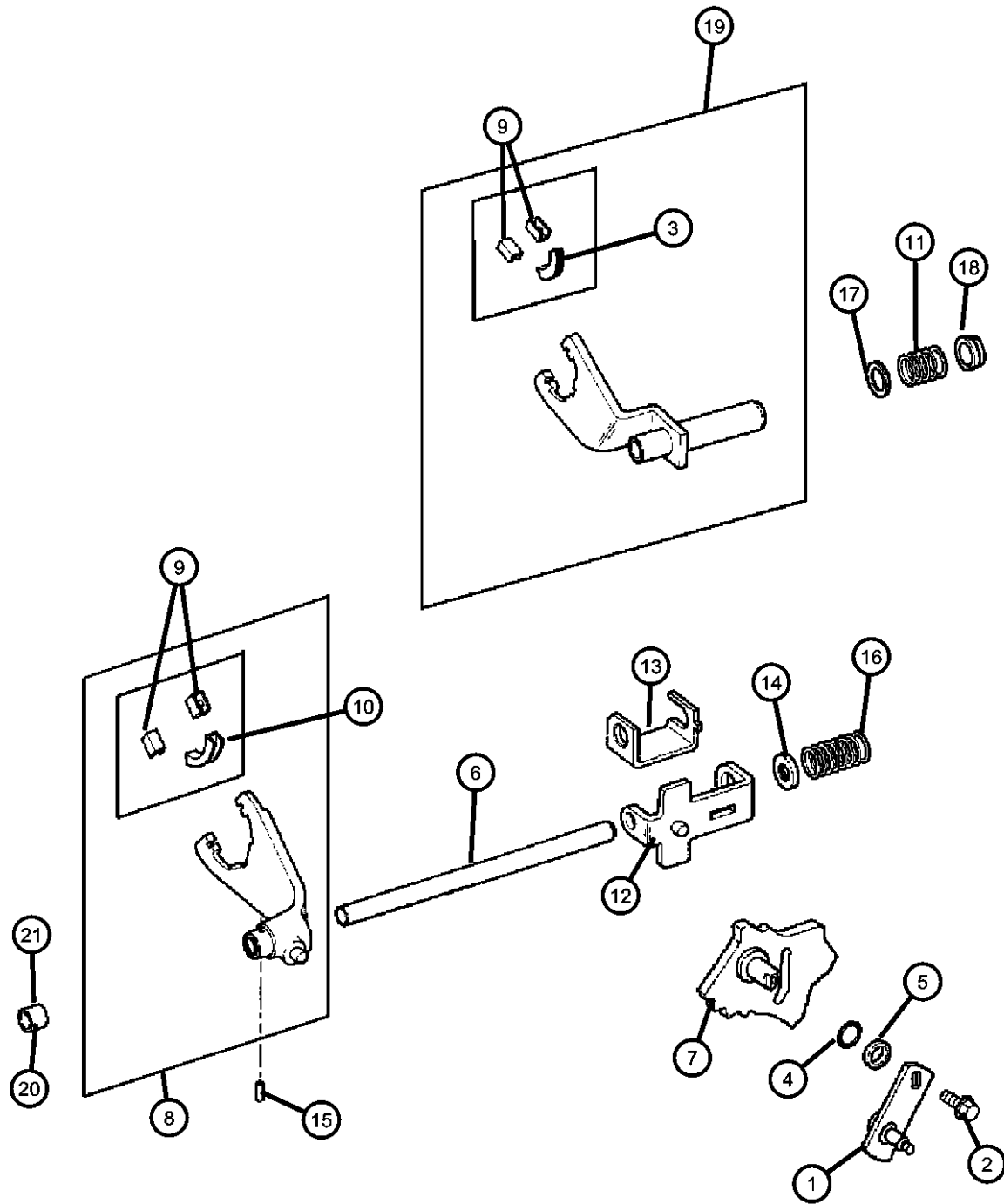
ENGINE	TRANSMISSION
EKG = 3.7L V6 Engine	DG6 = 4-Spd. Automatic 42RLE Transmission
ENR = 2.8L 4 Cyl Turbo Diesel Engine	DGV = 4-Spd. Automatic VLP Transmission
ENJ = 2.5L 4 Cyl 16V Turbo Diesel Engine	DGQ = 5-Spd Automatic 5-45RFE Transmission
ED1 = 2.4L 4 Cyl DOHC 16v SMPI Engine	DEH = 6-Speed Manual NSG370 Transmission
	DDD = 5-Speed HD Manual Transmission
	DDK = 5-Speed HD Manual Transmission

AR = use ase required - = Non illustrated part

2006 KJ

Forks and Rails Select Trac NVG 242 [DHP]  
Figure 242-905

ITEM	PART NUMBER	QTY	LINE	SERIES	BODY	ENGINE	TRANS	TRIM	DESCRIPTION
16	83503516	1	J, U						SPRING, Mode Shift Fork
17	83503512	1	J, U						WASHER, Flat
18	83503514	1	J, U						BUSHING, Shift Rail
19	04638950AB	1	J, U						FORK, Transfer Case Mode Shift
20	04338945	1	J, U						BUSHING, Shift Rail
21	04338945	1	J, U						BUSHING, Shift Rail



LIBERTY (KJ)

SERIES      LINE  
H = HIGHLINE    T = JEEP - 2WD  
M = MEDIUM     J = JEEP - 4WD  
P = PREMIUM    U = JEEP - 4WD (RHD)

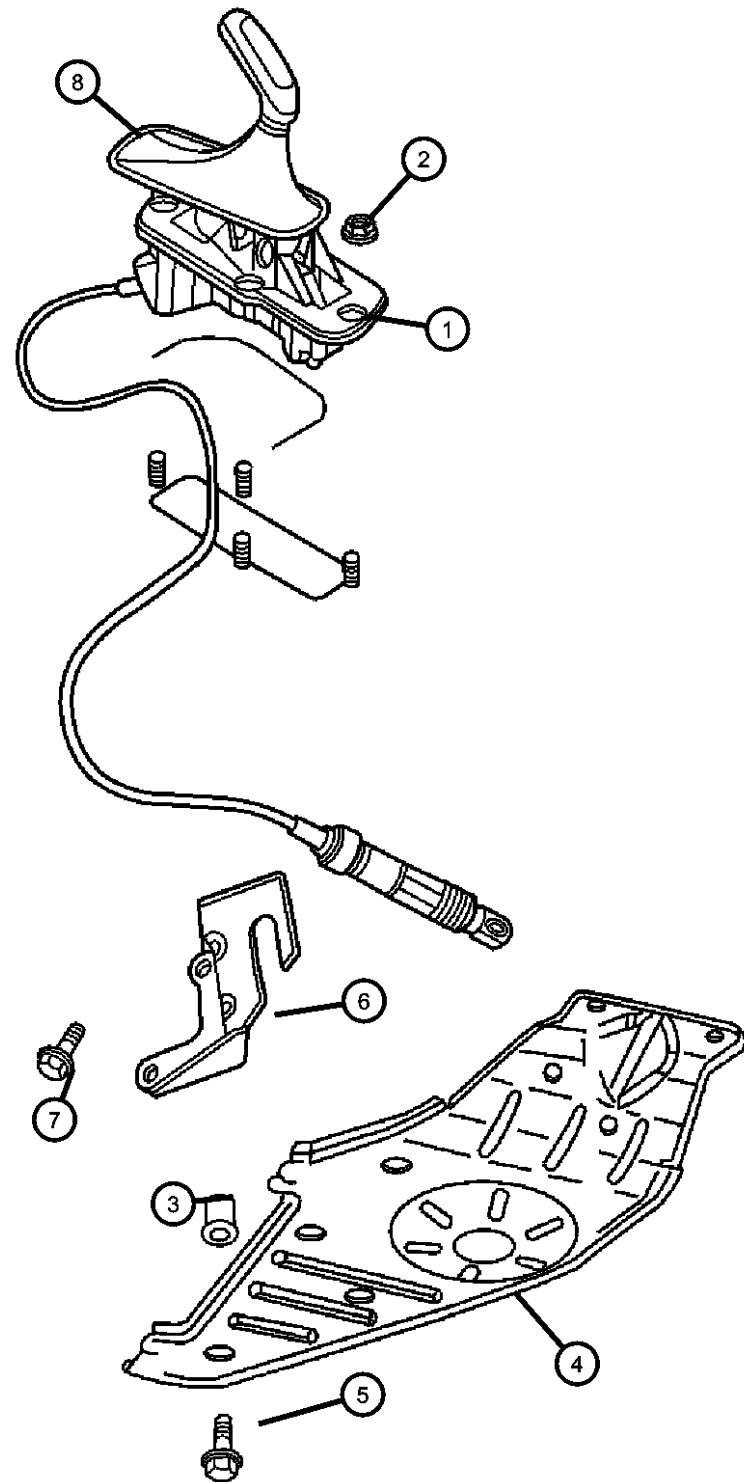
BODY  
74 = SPORT UTILITY 4-DR

ENGINE      TRANSMISSION  
EKG = 3.7L V6 Engine      DG6 = 4-Spd. Automatic 42RLE  
ENR = 2.8L 4 Cyl Turbo Diesel      Transmission  
Engine      DGV = 4-Spd. Automatic VLP  
ENJ = 2.5L 4 Cyl 16V Turbo      Transmission  
Diesel Engine      DGQ = 5-Spd Automatic 5-45RFE  
ED1 = 2.4L 4 Cyl DOHC 16v      Transmission  
SMPI Engine      DEH = 6-Speed Manual NSG370  
Transmission  
DDD = 5-Speed HD Manual  
Transmission  
DDK = 5-Speed HD Manual  
Transmission

AR = use ase required - = Non illustrated part

2006 KJ

**Gearshift Controls NVG 242 [DHP]  
Figure 242-1205**



ITEM	PART NUMBER	QTY	LINE	SERIES	BODY	ENGINE	TRANS	TRIM	DESCRIPTION
------	-------------	-----	------	--------	------	--------	-------	------	-------------

**NOTE:**

Refer To All Proper Tag Numbers And Stamping Numbers Before Ordering Transfer Cases And/ Or Transfer Case Parts.

**Sales Codes:**

- [DBB]=All Manual Transmissions
- [DEH]=6-Speed Manual NSG370 Transmission
- [DGQ]=5-Speed Automatic 5-45RFE Transmission
- [DGV]=4-Speed Automatic VLP Transmission
- [DG0]=All Automatic Transmissions
- [DG6]=4-Speed Automatic 42RLE Transmission
- [DHE]=Command-Trac H.D. Part Time NVG 241 GII Transfer Case
- [DHN]=Command-Trac Part Time NVG 231 Transfer Case
- [DHP]=Selec-Trac Full Time NVG 242 Transfer Case
- [EKG]=3.7L "Magnum" V-6 Engine
- [EK0]=All 3.7L 6-Cylinder Gas Engines
- [ENR]=2.8L 4-Cylinder Turbo Diesel Engine
- [EN0]=All 4/5 Cylinder Diesel Engines
- [NAA]=Federal Emissions
- [NAE]=California Emissions
- [NAS]=50 States Emissions
- [NA1]=Export Emissions
- [XEF]=Transfer Case Skid Plate Sheild

1	52129243AF	1	J, U						SHIFTER, Transfer Case
2	34201358	4							NUT AND WASHER, Hex Nut-Sealing Washer, M6 x 1.00, M6X1.00, Transfer Case Cover To Floor Pan, Mounting
3	06506644AA	4	J, U						RIVET, M10X1.50X17.7, Transfer Case Skid Plate, Mounting
4	52129091AA	1	J, U						PLATE, Transfer Case Skid
5	06506027AA	4	J, U						SCREW, Hex Head, M10X1.50X40.00, Transfer Case Skid Plate To Body, Mounting
6	52128954AB	1	J, U				DG6, DGV		BRACKET, Shifter
	52128955AB	1	J, U				DGQ		
	52128956AB	1	J, U				DBB		
7	06101752	3	J, U				DG0		SCREW AND WASHER, Hex Head, M10x1.5x28, Transfer Case, Mounting
8	52109709AE	1	J, U						BOOT, Gearshift

**LIBERTY (KJ)**

SERIES	LINE
H = HIGHLINE	T = JEEP - 2WD
M = MEDIUM	J = JEEP - 4WD
P = PREMIUM	U = JEEP - 4WD (RHD)

BODY
74 = SPORT UTILITY 4-DR

ENGINE	TRANSMISSION
EKG = 3.7L V6 Engine	DG6 = 4-Spd. Automatic 42RLE Transmission
ENR = 2.8L 4 Cyl Turbo Diesel Engine	DGV = 4-Spd. Automatic VLP Transmission
ENJ = 2.5L 4 Cyl 16V Turbo Diesel Engine	DGQ = 5-Spd Automatic 5-45RFE Transmission
ED1 = 2.4L 4 Cyl DOHC 16v SMPI Engine	DEH = 6-Speed Manual NSG370 Transmission
	DDD = 5-Speed HD Manual Transmission
	DDK = 5-Speed HD Manual Transmission

AR = use ase required - = Non illustrated part

2006 KJ

# Group - 22

## Wheels, Covers and Jacks

### Group - 22 Wheels, Covers and Jacks

Illustration Title

Group-Fig. No.

#### Wheels and Hardware

Wheels and Hardware ..... Fig. 22 - 110  
 Spare Tire Bracket ..... Fig. 22 - 120

#### Wheel Covers and Center Caps

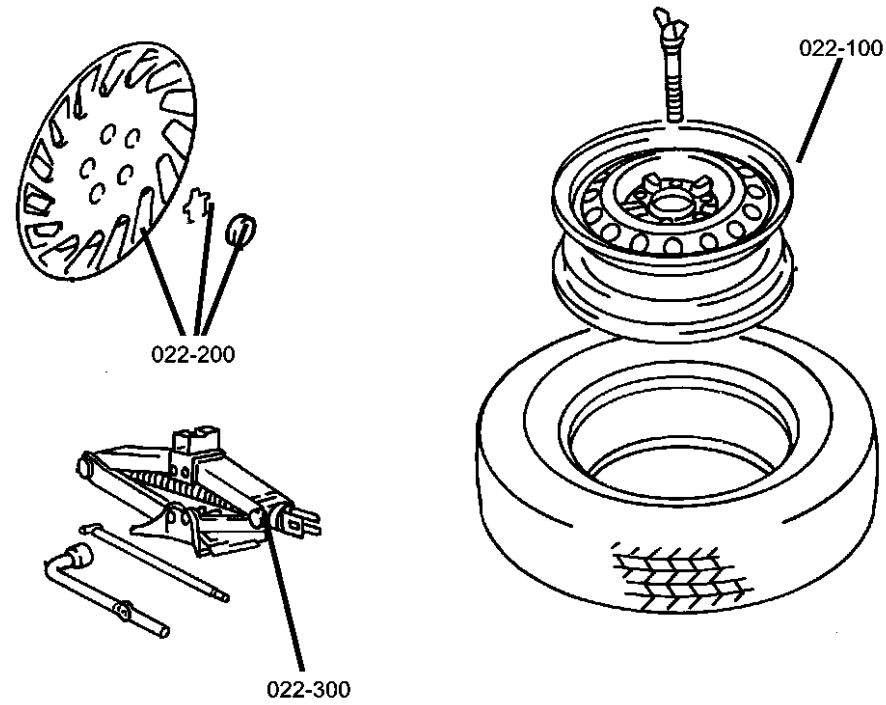
Wheel Caps ..... Fig. 22 - 210


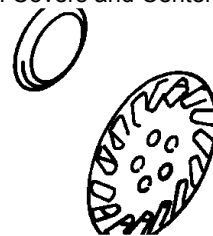
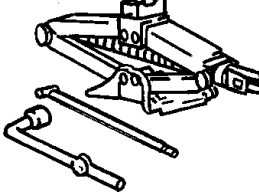
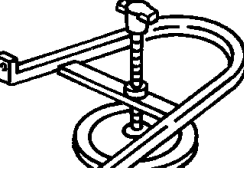
#### Jack Stowage

Jack and Hardware ..... Fig. 22 - 310

#### Spare Tire Stowage

Spare Wheel ..... Fig. 22 - 410  
 Spare Wheel, Export ..... Fig. 22 - 420

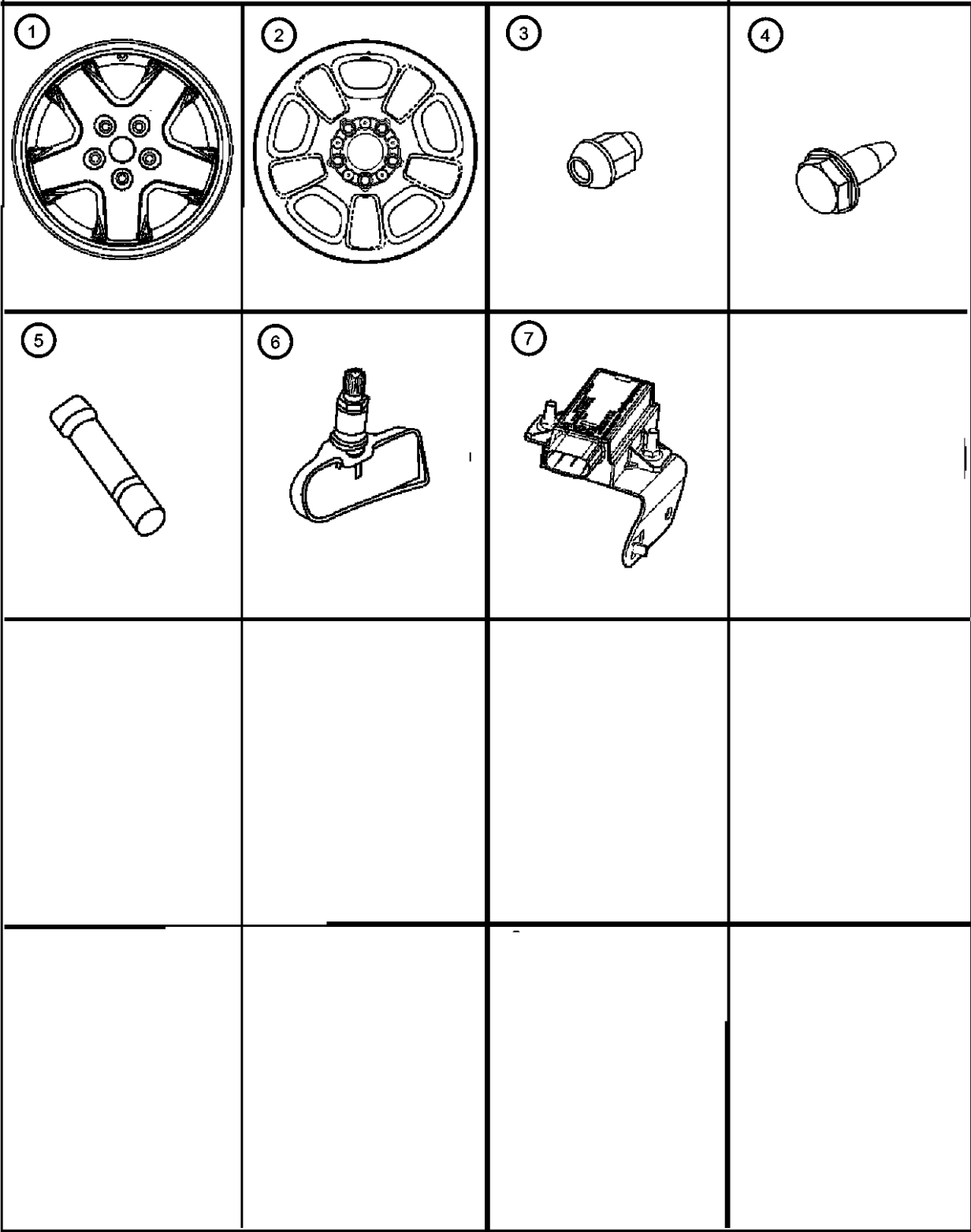


<p><b>022-100</b> Wheels and Hardware</p> 	<p><b>022-200</b> Wheel Covers and Center Caps</p> 	<p><b>022-300</b> Jack Stowage</p> 	<p><b>022-400</b> Spare Tire Stowage</p> 
---	--	---	--



Wheels and Hardware

Figure 22-110



ITEM	PART NUMBER	QTY	LINE	SERIES	BODY	ENGINE	TRANS	TRIM	DESCRIPTION
------	-------------	-----	------	--------	------	--------	-------	------	-------------

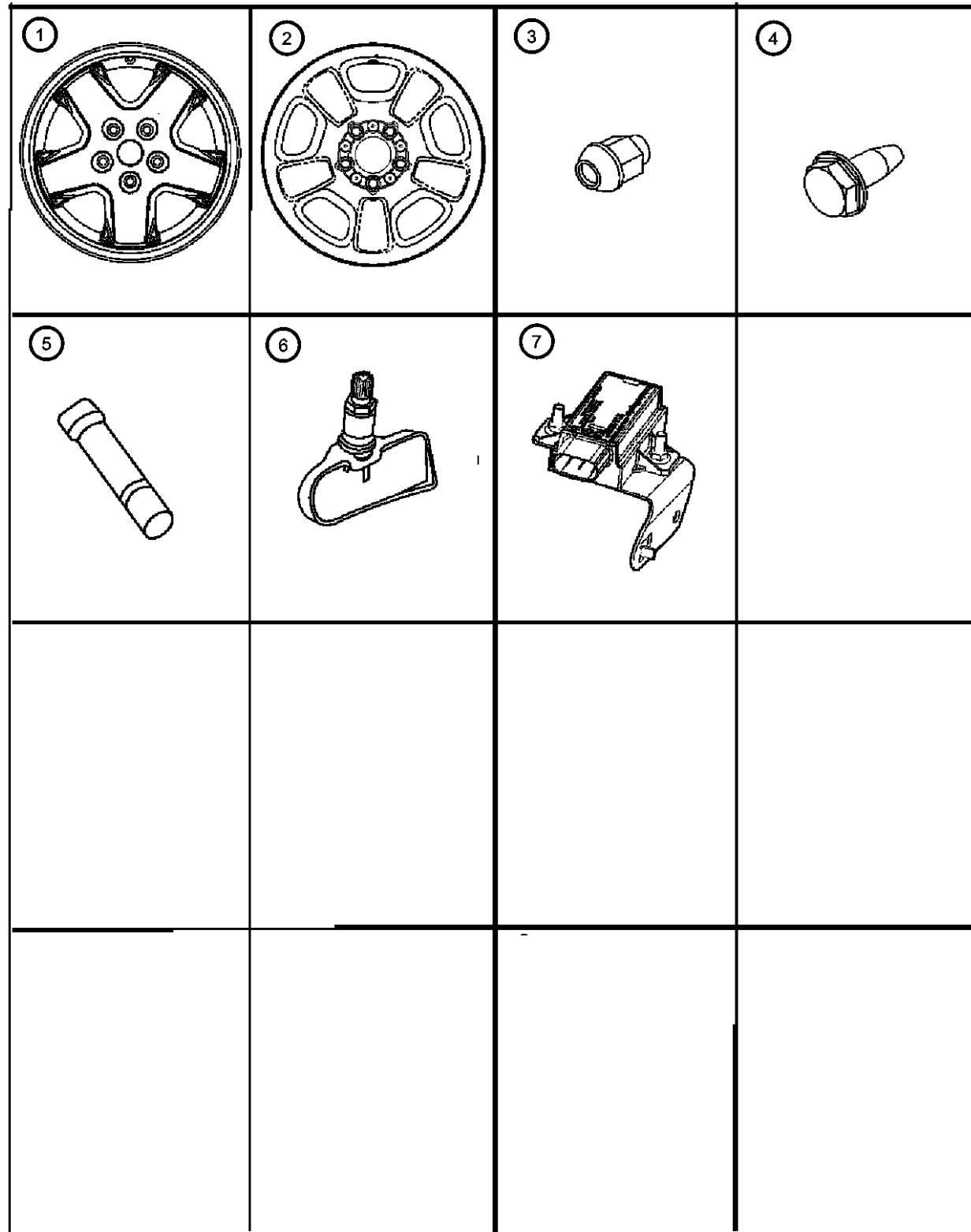
NOTES: Sales Codes:  
 [LAB] = Tire Pressure Monitoring Warning  
 [WDU] = 16x7.0 Aluminum Wheel  
 [WGQ] = 17x7.5 Aluminum Wheel  
 [WGX] = 17x8.0 Aluminum Chrome Clad Wheel  
 [XGM] = Tire Pressure Monitoring Display

1									WHEEL, Aluminum
	1BX27PAKAB	4							[WDR]
	52109979AB	4							[WGX]
	5GL67ZDRAG	4							[WDS]
	5HW90PAKAB	4							[WGQ]
		1							[WKB,WGQ]
	5JX82CDMAA	4							[WDU]
		1							[WK8,WDU]
2	5GL65S4AAD	4							WHEEL, Steel, [WLC]
3	06036310AA	20							NUT, Wheel, .50x20
4	06506476AA	12							SCREW, Hex Flange Head, M4.8x1.59x11.00, Cap to Wheel [WLC]
5	02073355	5							STEM, Wheel Valve
6	56053030AB	4							SENSOR, Tire Pressure, Valve stem, [XGM=LAB]
7	56044713AB	1							TRIGGER, Tire Pressure, [XGM]
-8									SENSOR PACKAGE, Tire Pressure, See Sensors Group 008
	68001696AA	1	J, T, U		74				Contains: Sensor & Nut
	68001698AA	1	J, T, U		74				Contains: Sensor,1-Grey Cap,1-Black Cap,1-Valve Stem
-9									HARDWARE KIT, Mounting
	68001743AA	1	J, T, U		74				Contains: 1-S120120001 Nut TPM Retaining,1-S122990001 Washer,Seal ,1-S122140001 Cap,Valve Stem,Black,Euro,1-S120121001,Cap,Valve Stem,Grey,Domestic,1-S122988001,Seal,TPM to Wheel 1-S122914 Valve Core

LIBERTY (KJ)		BODY	ENGINE	TRANSMISSION
SERIES	LINE	74 = SPORT UTILITY 4-DR	EKG = 3.7L V6 Engine	DG6 = 4-Spd. Automatic 42RLE
H = HIGHLINE	T = JEEP - 2WD		ENR = 2.8L 4 Cyl Turbo Diesel Engine	Transmission
M = MEDIUM	J = JEEP - 4WD		ENJ = 2.5L 4 Cyl 16V Turbo Diesel Engine	DGV = 4-Spd. Automatic VLP
P = PREMIUM	U = JEEP - 4WD (RHD)		ED1 = 2.4L 4 Cyl DOHC 16V SMPI Engine	Transmission
				DGQ = 5-Spd Automatic 5-45RFE
				Transmission
				DEH = 6-Speed Manual NSG370
				Transmission
				DDD = 5-Speed HD Manual
				Transmission
				DDK = 5-Speed HD Manual
				Transmission

AR = use ase required - = Non illustrated part

**Wheels and Hardware**  
**Figure 22-110**



ITEM	PART NUMBER	QTY	LINE	SERIES	BODY	ENGINE	TRANS	TRIM	DESCRIPTION
	68001744AA	1	J, T, U		74				Contains: 1-S122914001,Valve Core,TPM,1-S120121001,Cap,Valve Stem,Grey,Domes-tic,1-S122140001,Cap,Valve Stem,Black,Euro
-10	68024258AA	1	J, T, U		74				CAP KIT, Valve Stem, Grey, Contains: Cap,Valve Stem,Grey,Qty.5
-11	68024257AA	1	J, T, U		74				CAP KIT, Valve Stem, Black, BUX, Contains: Cap,Valve Stem,Black,Qty.5

**LIBERTY (KJ)**

SERIES      LINE  
H = HIGHLINE    T = JEEP - 2WD  
M = MEDIUM     J = JEEP - 4WD  
P = PREMIUM    U = JEEP - 4WD (RHD)

BODY  
74 = SPORT UTILITY 4-DR

ENGINE      TRANSMISSION  
EKG = 3.7L V6 Engine    DG6 = 4-Spd. Automatic 42RLE  
ENR = 2.8L 4 Cyl Turbo Diesel Engine    DGV = 4-Spd. Automatic VLP  
ENJ = 2.5L 4 Cyl 16V Turbo Diesel Engine    DGQ = 5-Spd Automatic 5-45RFE  
ED1 = 2.4L 4 Cyl DOHC 16v SMPI Engine    DEH = 6-Speed Manual NSG370  
Transmission  
DDD = 5-Speed HD Manual Transmission  
DDK = 5-Speed HD Manual Transmission

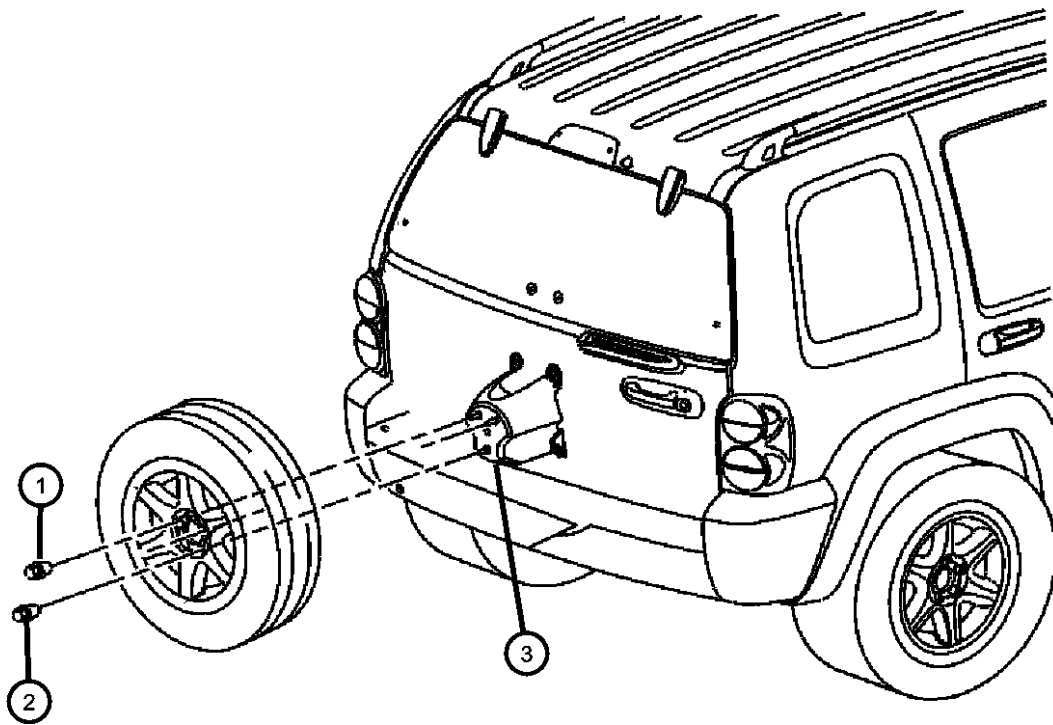
AR = use ase required - = Non illustrated part

**Spare Tire Bracket  
Figure 22-120**

ITEM	PART NUMBER	QTY	LINE	SERIES	BODY	ENGINE	TRANS	TRIM	DESCRIPTION
------	-------------	-----	------	--------	------	--------	-------	------	-------------

NOTES: Sales Codes:  
[TBR] = Outside Tire Carrier  
[XJC] = Locking Lug Nuts

1	06036310AA	20							NUT, Wheel, .50x20
2	52088515	1							NUT, Lock, .50-20
3	55155933AC	1							BRACKET, Spare Tire



**LIBERTY (KJ)**

SERIES	LINE
H = HIGHLINE	T = JEEP - 2WD
M = MEDIUM	J = JEEP - 4WD
P = PREMIUM	U = JEEP - 4WD (RHD)

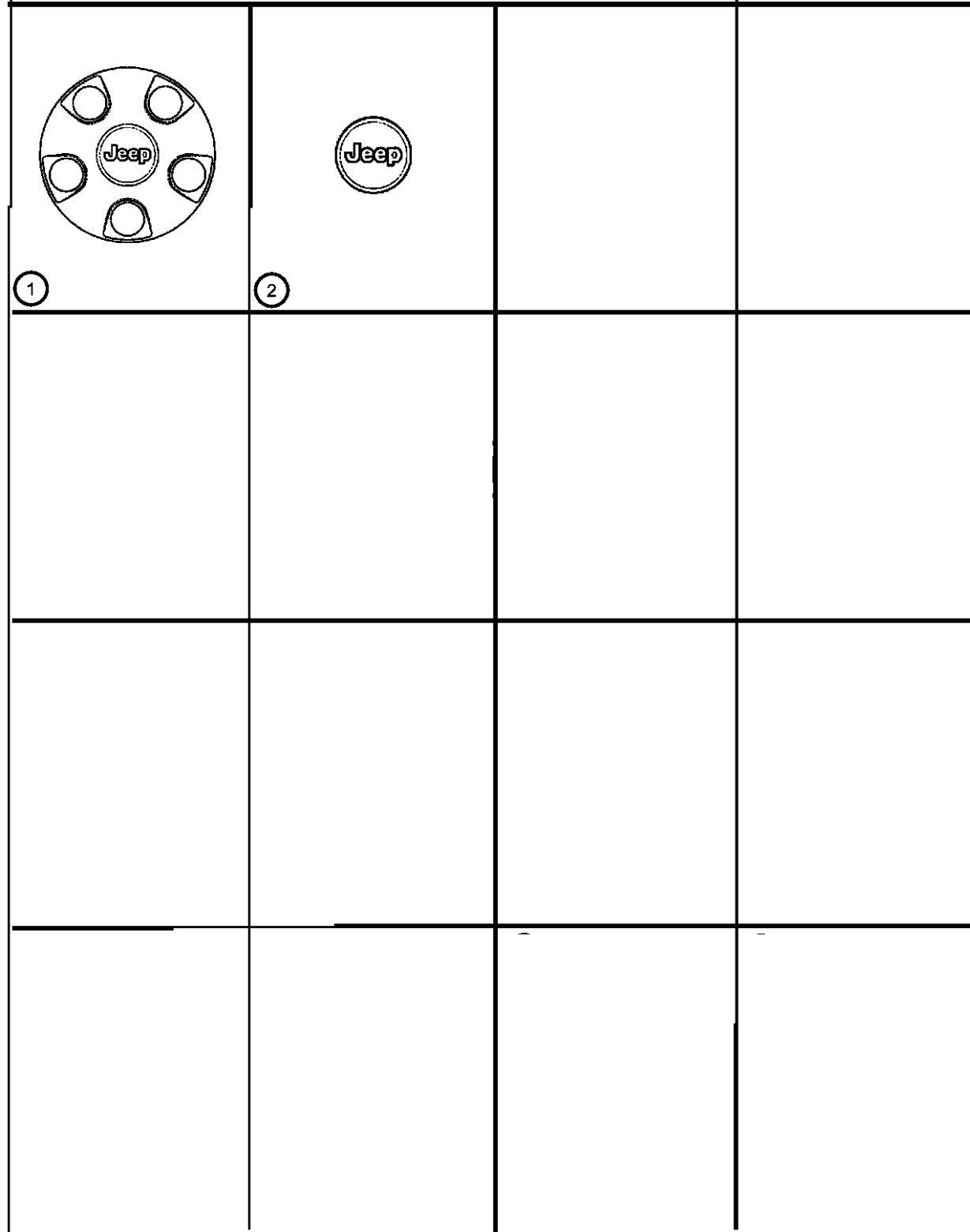
BODY  
74 = SPORT UTILITY 4-DR

ENGINE	TRANSMISSION
EKG = 3.7L V6 Engine	DG6 = 4-Spd. Automatic 42RLE
ENR = 2.8L 4 Cyl Turbo Diesel Engine	Transmission
ENJ = 2.5L 4 Cyl 16V Turbo Diesel Engine	DGV = 4-Spd. Automatic VLP
ED1 = 2.4L 4 Cyl DOHC 16v SMPI Engine	Transmission
	DGQ = 5-Spd Automatic 5-45RFE
	Transmission
	DEH = 6-Speed Manual NSG370
	Transmission
	DDD = 5-Speed HD Manual
	Transmission
	DDK = 5-Speed HD Manual
	Transmission

AR = use ase required - = Non illustrated part

2006 KJ

**Wheel Caps  
Figure 22-210**



ITEM	PART NUMBER	QTY	LINE	SERIES	BODY	ENGINE	TRANS	TRIM	DESCRIPTION
------	-------------	-----	------	--------	------	--------	-------	------	-------------

Note; Sales Codes  
 [WGR]= 17x7.5 Cast Aluminum  
 [WGQ]= 17x7.5 Aluminum  
 [WGX] = 17X7.0 Aluminum Chrome Clad

1	52090401AA	4							CAP, Wheel Center [WGX]
	5HT59CD- MAA	4							[WDU]
2	52059522AA	4							CAP, Wheel Center, [WGQ]

**LIBERTY (KJ)**

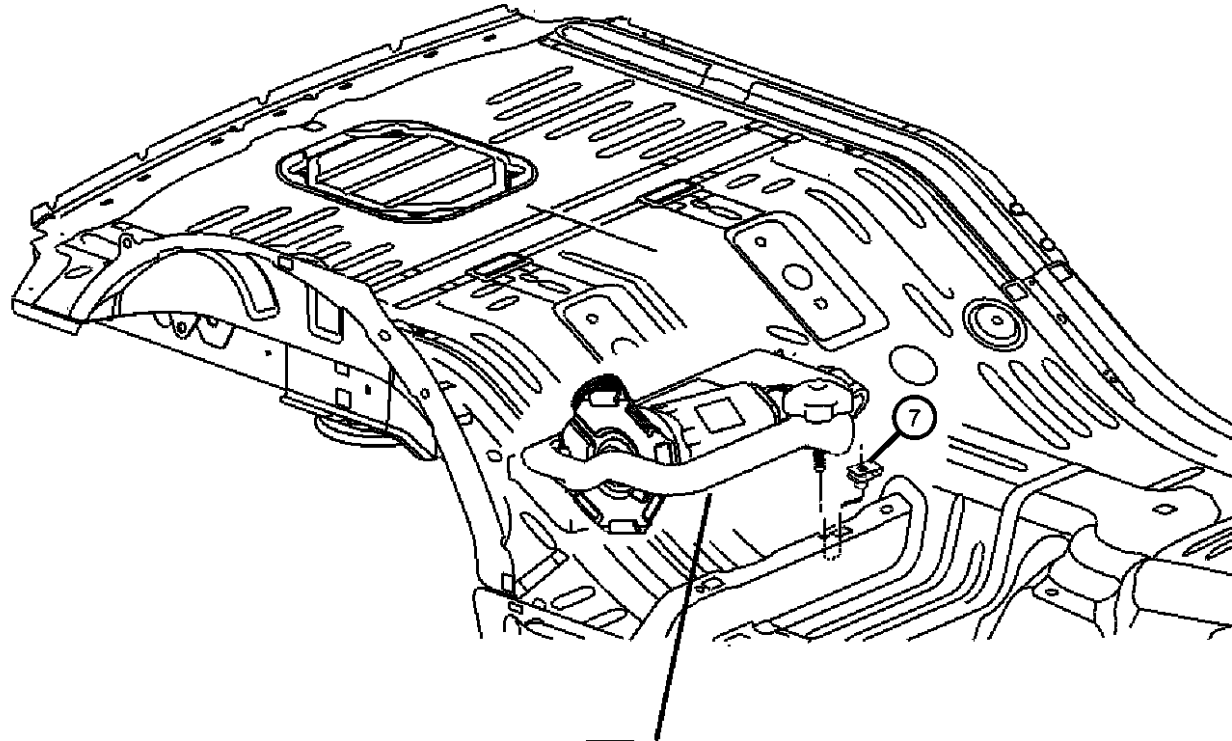
SERIES LINE  
 H = HIGHLINE T = JEEP - 2WD  
 M = MEDIUM J = JEEP - 4WD  
 P = PREMIUM U = JEEP - 4WD (RHD)

BODY  
 74 = SPORT UTILITY 4-DR

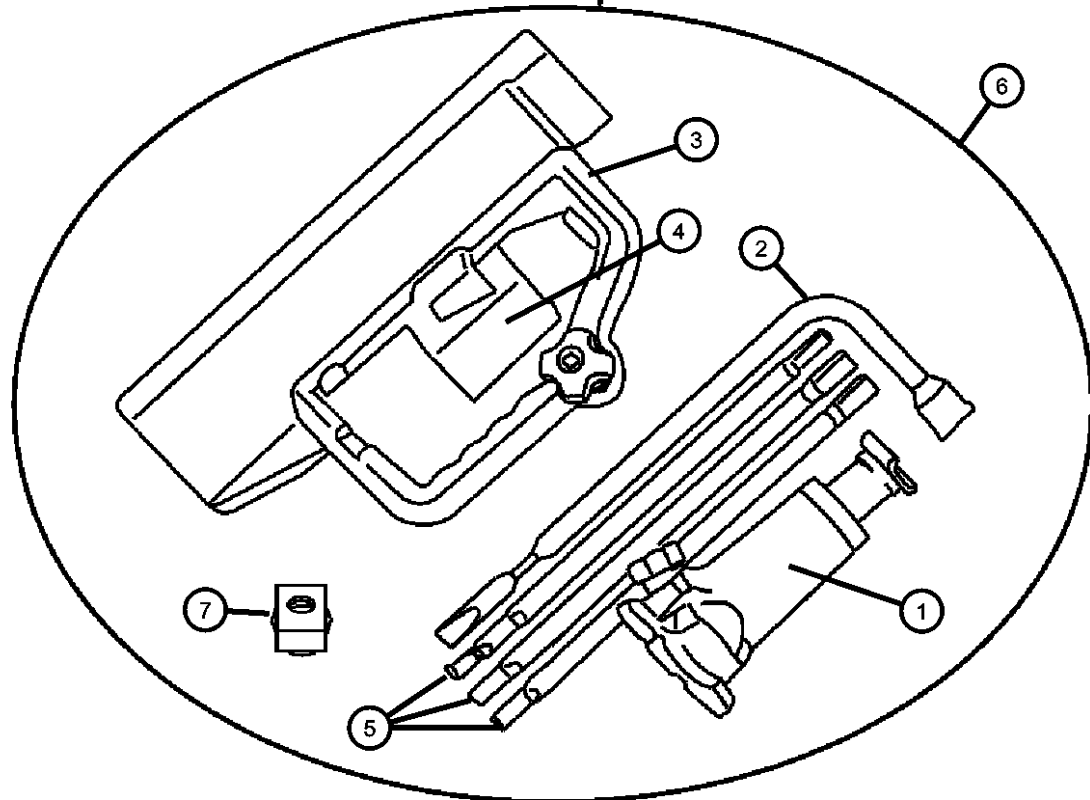
ENGINE TRANSMISSION  
 EKG = 3.7L V6 Engine DG6 = 4-Spd. Automatic 42RLE  
 ENR = 2.8L 4 Cyl Turbo Diesel Transmission  
 Engine DGV = 4-Spd. Automatic VLP  
 ENJ = 2.5L 4 Cyl 16V Turbo Transmission  
 Diesel Engine DGQ = 5-Spd Automatic 5-45RFE  
 ED1 = 2.4L 4 Cyl DOHC 16v Transmission  
 SMPI Engine DEH = 6-Speed Manual NSG370  
 Transmission  
 DDD = 5-Speed HD Manual  
 Transmission  
 DDK = 5-Speed HD Manual  
 Transmission

AR = use ase required - = Non illustrated part

Jack and Hardware  
Figure 22-310



ITEM	PART NUMBER	QTY	LINE	SERIES	BODY	ENGINE	TRANS	TRIM	DESCRIPTION
1	55366972AA	1							JACK
2	52059478AA	1							WRENCH, Wheel Lug Nut
3	52129757AB	1							BRACKET AND LOCATOR, Jack Stowage
4	52110391AB	1							LABEL, Jack Caution
5	52021681AB	1							EXTENSION, Jack Handle
6	52129395AA	1							TOOL KIT, Jack
7	06101283	1							U-NUT, M8x1.25, Jack & Tool Assy. to Body
-8	06035073	4							RIVET, Blind, .190x.670, Fire Extinguisher Holdown
-9	55352852AA	1							TOOL SET



LIBERTY (KJ)

SERIES  
H = HIGHLINE  
M = MEDIUM  
P = PREMIUM

LINE  
T = JEEP - 2WD  
J = JEEP - 4WD  
U = JEEP - 4WD (RHD)

BODY  
74 = SPORT UTILITY 4-DR

ENGINE  
EKG = 3.7L V6 Engine  
ENR = 2.8L 4 Cyl Turbo Diesel Engine  
ENJ = 2.5L 4 Cyl 16V Turbo Diesel Engine  
ED1 = 2.4L 4 Cyl DOHC 16v SMPI Engine

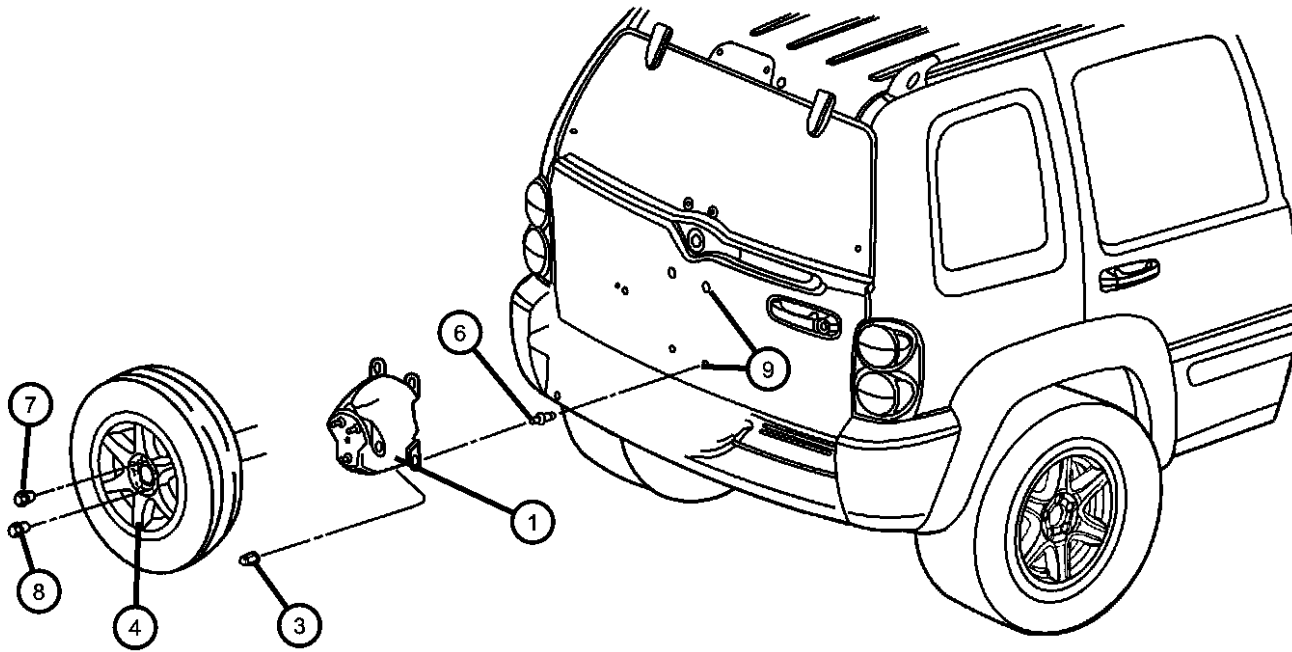
TRANSMISSION  
DG6 = 4-Spd. Automatic 42RLE Transmission  
DGV = 4-Spd. Automatic VLP Transmission  
DGQ = 5-Spd Automatic 5-45RFE Transmission  
DEH = 6-Speed Manual NSG370 Transmission  
DDD = 5-Speed HD Manual Transmission  
DDK = 5-Speed HD Manual Transmission

AR = use ase required - = Non illustrated part

2006 KJ

Spare Wheel  
Figure 22-410

ITEM	PART NUMBER	QTY	LINE	SERIES	BODY	ENGINE	TRANS	TRIM	DESCRIPTION
1	55155933AC	1							BRACKET, Spare Tire
-2	55360585AA	2							GASKET, Spare Tire Bracket
3	06507799AA	4							NUT, Wheel
4	06507799AA	4							WHEEL, Spare, See Wheel ILL#110, (NOT SERVICED)
-5									COVER, Spare Tire
	5JG141X7AC	1							[CSA]
	5JG711X7AA	1							[CSB]
6	06507623AA	AR							STUD
7	06036310AA	3							NUT, Wheel, .50x20
8	52088515	1							NUT, Lock, .50-20
9	55360618AA	2							BRACKET, Spare Tire



LIBERTY (KJ)

SERIES      LINE  
H = HIGHLINE    T = JEEP - 2WD  
M = MEDIUM     J = JEEP - 4WD  
P = PREMIUM    U = JEEP - 4WD (RHD)

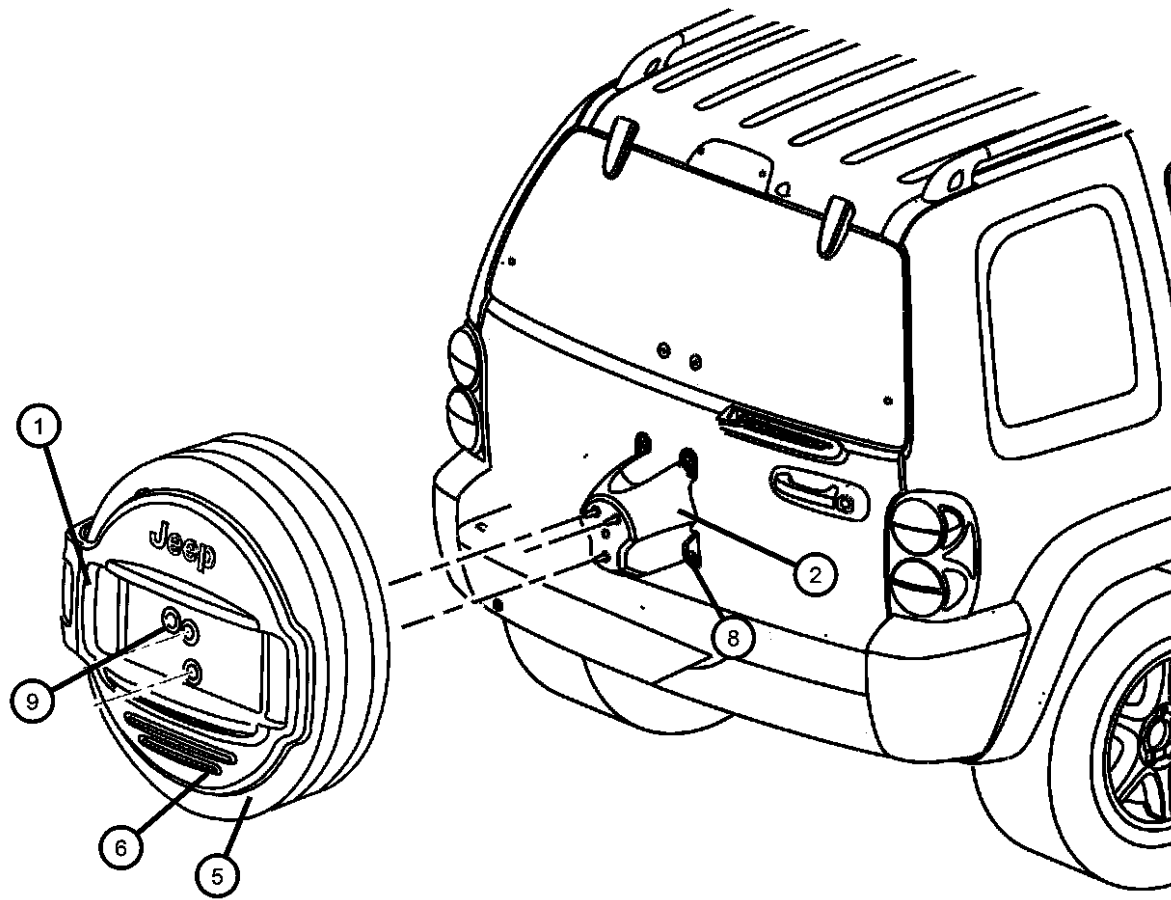
BODY  
74 = SPORT UTILITY 4-DR

ENGINE      TRANSMISSION  
EKG = 3.7L V6 Engine      DG6 = 4-Spd. Automatic 42RLE  
ENR = 2.8L 4 Cyl Turbo Diesel Engine      DGV = 4-Spd. Automatic VLP  
ENJ = 2.5L 4 Cyl 16V Turbo Diesel Engine      DGQ = 5-Spd Automatic 5-45RFE  
ED1 = 2.4L 4 Cyl DOHC 16v SMPI Engine      DEH = 6-Speed Manual NSG370  
Transmission  
DDD = 5-Speed HD Manual Transmission  
DDK = 5-Speed HD Manual Transmission

AR = use ase required - = Non illustrated part

Spare Wheel, Export  
Figure 22-420

ITEM	PART NUMBER	QTY	LINE	SERIES	BODY	ENGINE	TRANS	TRIM	DESCRIPTION
1									BRACKET, License Plate
	5HF06RXFAK	1	J, U	H, P					
		1	J, U	M					
2	55155933AC	1							BRACKET, Spare Tire
-3	06036303AA	2	J, U						NUT, .50-20
-4	06036310AA	2							NUT, Wheel, .50x20
5	06036310AA	2							WHEEL, Spare, See Wheel ILL#110, (NOT SERVICED)
6									COVER, Spare Tire
	5JG141X7AC	1							[CSA]
	5JG711X7AA	1							[CSB]
-7	06035201	1	J, U						RIVET, License Plate Module
8	06507799AA	4							NUT, Wheel
9	06506429AA	2	J, U						SCREW, M8x1.25x21



LIBERTY (KJ)

SERIES LINE  
H = HIGHLINE T = JEEP - 2WD  
M = MEDIUM J = JEEP - 4WD  
P = PREMIUM U = JEEP - 4WD (RHD)

BODY  
74 = SPORT UTILITY 4-DR

ENGINE TRANSMISSION  
EKG = 3.7L V6 Engine DG6 = 4-Spd. Automatic 42RLE  
ENR = 2.8L 4 Cyl Turbo Diesel Transmission  
Engine DGV = 4-Spd. Automatic VLP  
ENJ = 2.5L 4 Cyl 16V Turbo Transmission  
Diesel Engine DGQ = 5-Spd Automatic 5-45RFE  
ED1 = 2.4L 4 Cyl DOHC 16v Transmission  
SMPI Engine DEH = 6-Speed Manual NSG370  
Transmission  
DDD = 5-Speed HD Manual  
Transmission  
DDK = 5-Speed HD Manual  
Transmission

AR = use ase required - = Non illustrated part

2006 KJ

# Group - 23D

## Wiper/Lock Cylinder and Keys

### Group - 23D Wiper/Lock Cylinder and Keys

Illustration Title

Group-Fig. No.

#### Lock Cylinders and Keys

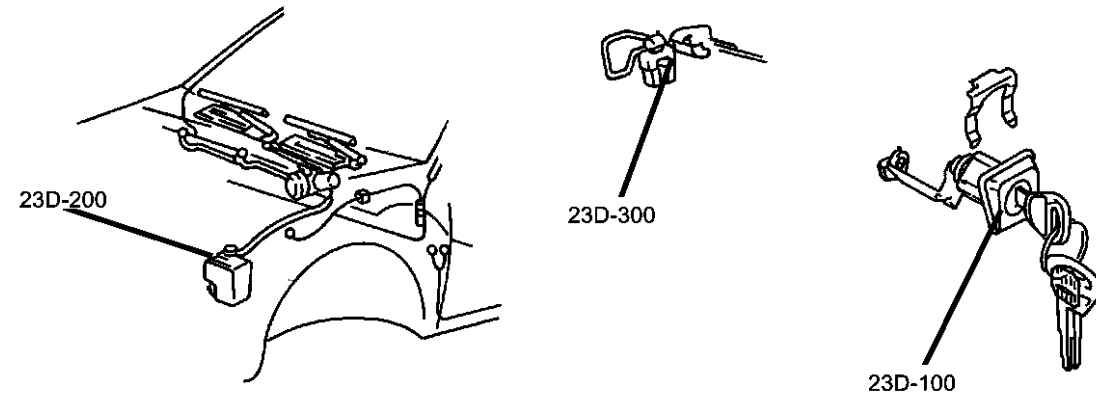
Lock Cylinder and Keys..... Fig. 23D - 111

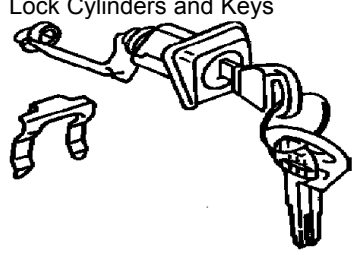
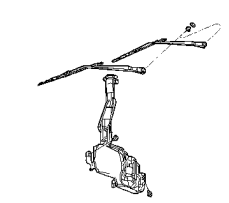

#### Windshield Wiper and Washer Systems

Windshield Wiper and Washer ..... Fig. 23D - 210

#### Rear Wiper and Washer System

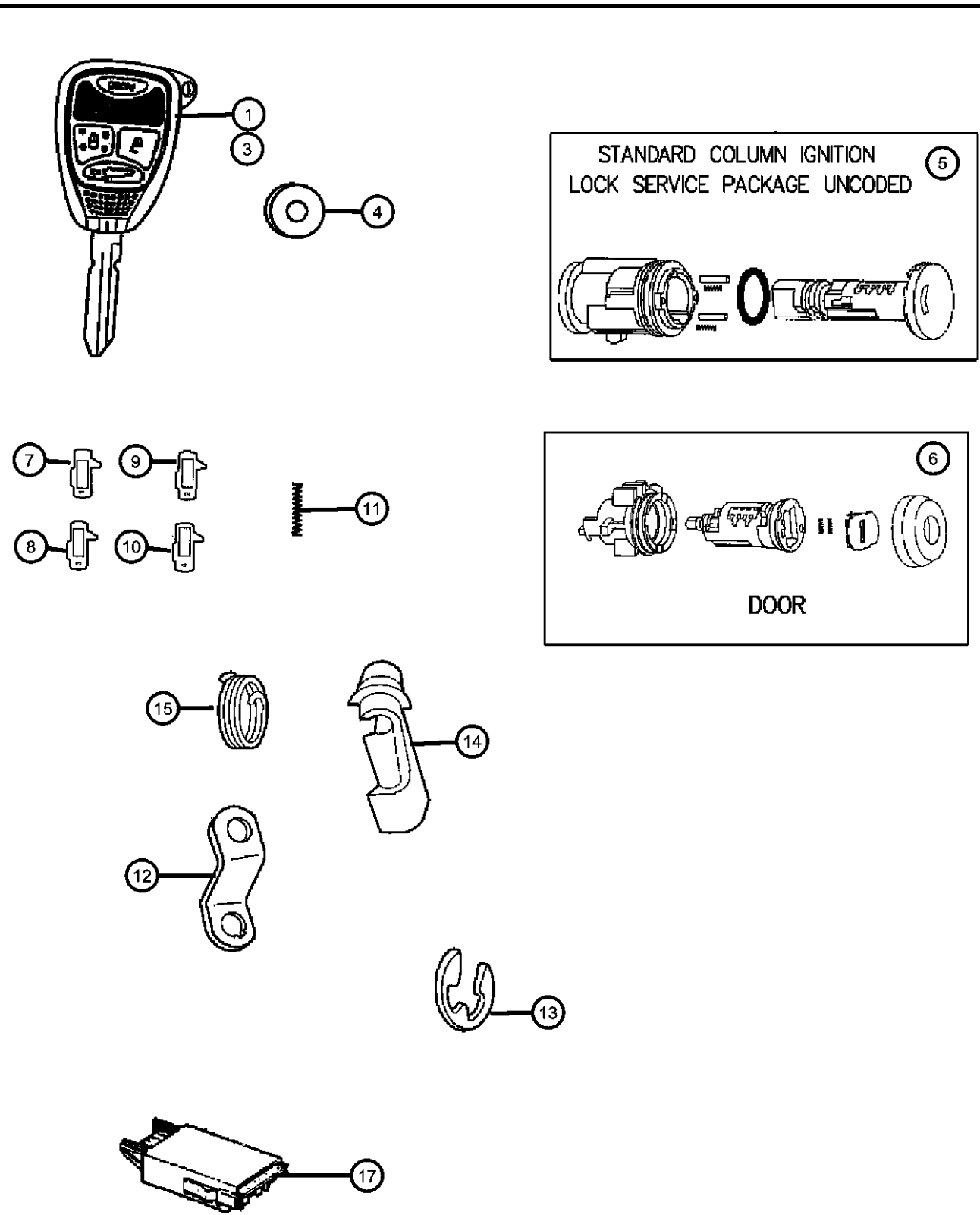
Rear Wiper and Washer ..... Fig. 23D - 310



<p><b>23D-100</b> Lock Cylinders and Keys</p> 	<p><b>23D-200</b> Windshield Wiper and Washer Systems</p> 	<p><b>23D-300</b> Rear Wiper and Washer System</p> 	
--	---	---	--



**Lock Cylinder and Keys  
Figure 23D-111**



ITEM	PART NUMBER	QTY	LINE	SERIES	BODY	ENGINE	TRANS	TRIM	DESCRIPTION
------	-------------	-----	------	--------	------	--------	-------	------	-------------

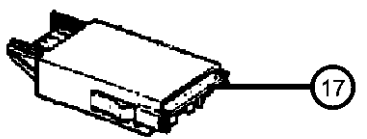
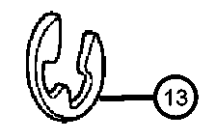
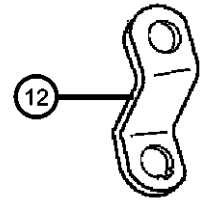
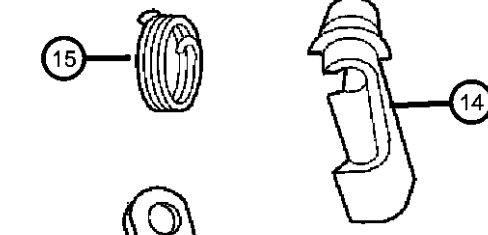
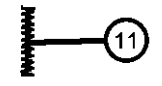
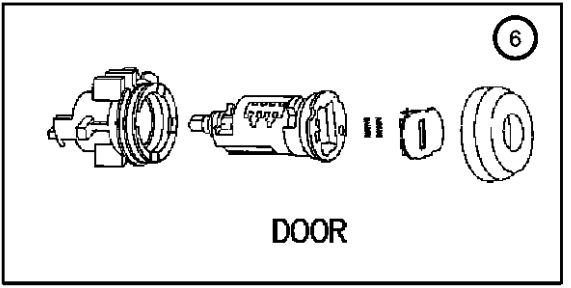
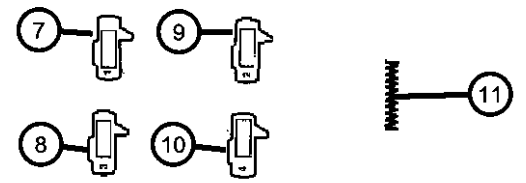
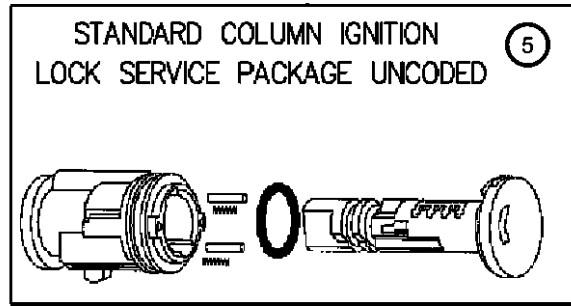
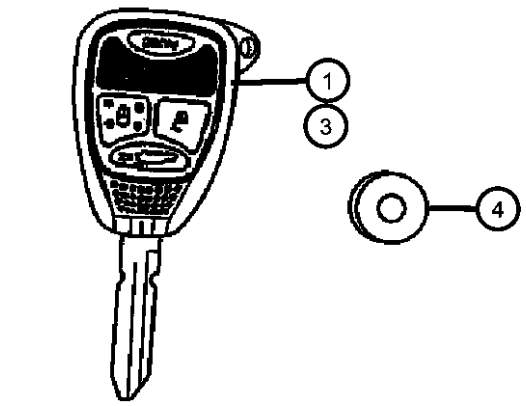
NOTES:  
Item #1- Key contains the Transmitter with buttons for keyless entry and alarm.

1									KEY, BLANK WITH TRANSMITTER
	05139289AA	1	J, U						Jeep Logo 3 Buttons [Japan]
	05139290AA	1	J, U						JEEP LOGO, 4 BUTTO
	05189230AA	1	J, T		74				[GXM]
	05189231AA	1	J, U						Jeep Logo 3 Buttons
-2	06507946AA	1							SCREW
3									KEY, Blank
	05143553AA	1	J, U						
		1	J, T						
4									BATTERY, Transmitter
	05066241AA	1	J, U						
		1	J, T						
5									CYLINDER, Ignition Lock
	05139207AA	1	J, U						
		1	J, T						
6									CYLINDER, Door Lock
	05072294AA	1	J, U						
		1	J, T						
7									TUMBLER, Door and Deck Number 1, Wide
	04778117AB	1	J, U						
		1	J, T						
8									TUMBLER, Door and Deck Number 2, Wide
	04778118AB	1	J, U						
		1	J, T						
9									TUMBLER, Door and Deck Number 3, Wide
	04778119AB	1	J, U						
		1	J, T						

<b>LIBERTY (KJ)</b>				
SERIES	LINE	BODY	ENGINE	TRANSMISSION
H = HIGHLINE	T = JEEP - 2WD	74 = SPORT UTILITY 4-DR	EKG = 3.7L V6 Engine	DG6 = 4-Spd. Automatic 42RLE
M = MEDIUM	J = JEEP - 4WD		ENR = 2.8L 4 Cyl Turbo Diesel Engine	Transmission
P = PREMIUM	U = JEEP - 4WD (RHD)		ENJ = 2.5L 4 Cyl 16V Turbo Diesel Engine	DGV = 4-Spd. Automatic VLP
			ED1 = 2.4L 4 Cyl DOHC 16v SMPI Engine	Transmission
				DGQ = 5-Spd Automatic 5-45RFE
				Transmission
				DEH = 6-Speed Manual NSG370
				Transmission
				DDD = 5-Speed HD Manual
				Transmission
				DDK = 5-Speed HD Manual
				Transmission

AR = use ase required - = Non illustrated part

## Lock Cylinder and Keys Figure 23D-111



ITEM	PART NUMBER	QTY	LINE	SERIES	BODY	ENGINE	TRANS	TRIM	DESCRIPTION
10									TUMBLER, Door and Deck Number 4, Wide
	04778120AB	1	J, U						
		1	J, T						
11									SPRING, Door and Deck Tumbler
	04778121	1	J, U						
		1	J, T						
12									LEVER, Door Lock Cylinder
	55136554AA	1	J, U						
		1	J, T						
13									RETAINER, Lock Rod
	05071063AA	1	J, U						Right
		1	J, T						Right
	05071155AA	1	J, U						Left
14	05071155AA	1							CLIP, Retainer, (NOT SERVICED),
15	05071155AA	1							SPRING, Lock Cylinder Return, (NOT SERVICED)
-16									BRACKET, Door Inside
	05072945AA	1	J, U						Front Door
		1	J, T						Front Door
	55360659AA	1	J, U						Swing Gate
		1	J, T						Swing Gate
17	05026118AB	1							CONTROL MODULE, Receiver

**LIBERTY (KJ)**

SERIES      LINE  
H = HIGHLINE      T = JEEP - 2WD  
M = MEDIUM        J = JEEP - 4WD  
P = PREMIUM        U = JEEP - 4WD (RHD)

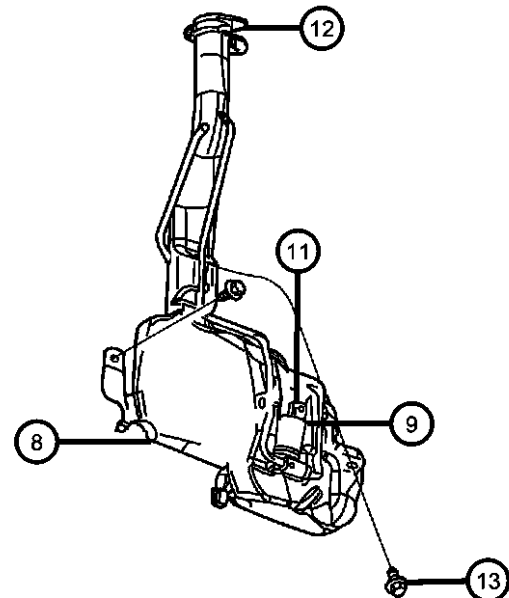
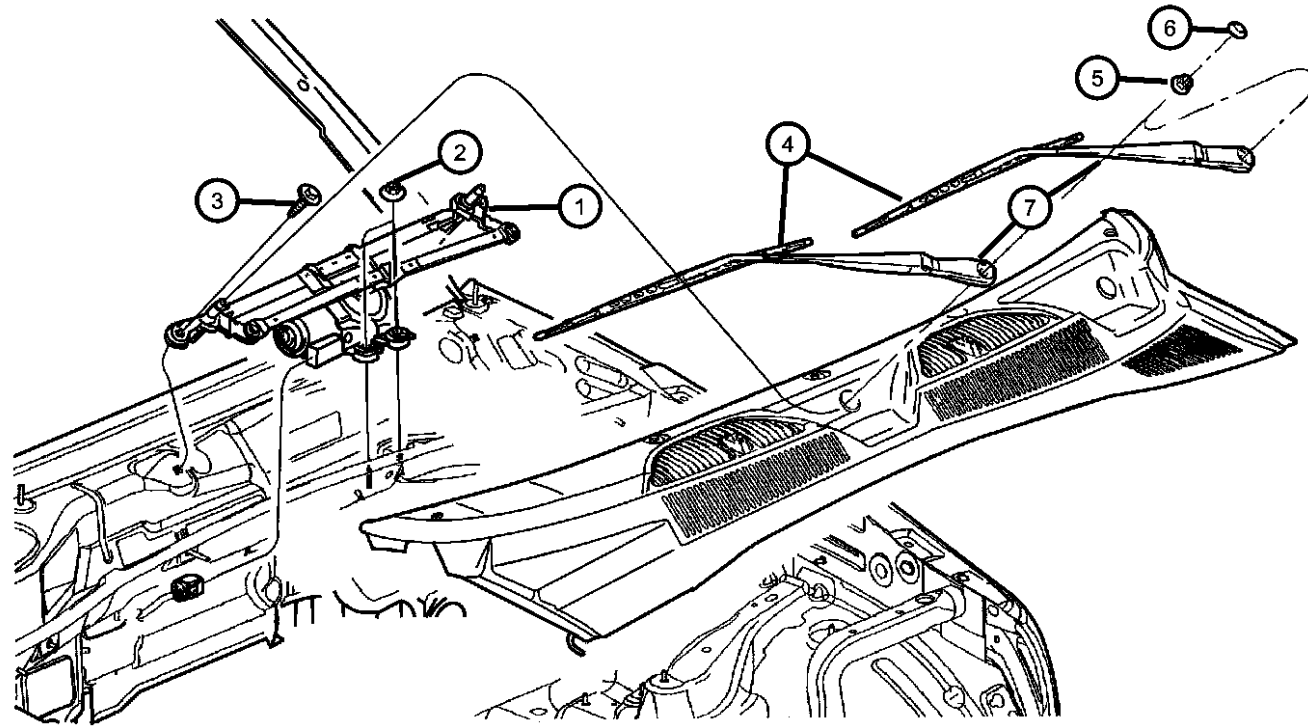
BODY  
74 = SPORT UTILITY 4-DR

ENGINE  
EKG = 3.7L V6 Engine  
ENR = 2.8L 4 Cyl Turbo Diesel Engine  
ENJ = 2.5L 4 Cyl 16V Turbo Diesel Engine  
ED1 = 2.4L 4 Cyl DOHC 16v SMPI Engine

TRANSMISSION  
DG6 = 4-Spd. Automatic 42RLE Transmission  
DGV = 4-Spd. Automatic VLP Transmission  
DGQ = 5-Spd Automatic 5-45RFE Transmission  
DEH = 6-Speed Manual NSG370 Transmission  
DDD = 5-Speed HD Manual Transmission  
DDK = 5-Speed HD Manual Transmission

AR = use ase required - = Non illustrated part

**Windshield Wiper and Washer  
Figure 23D-210**



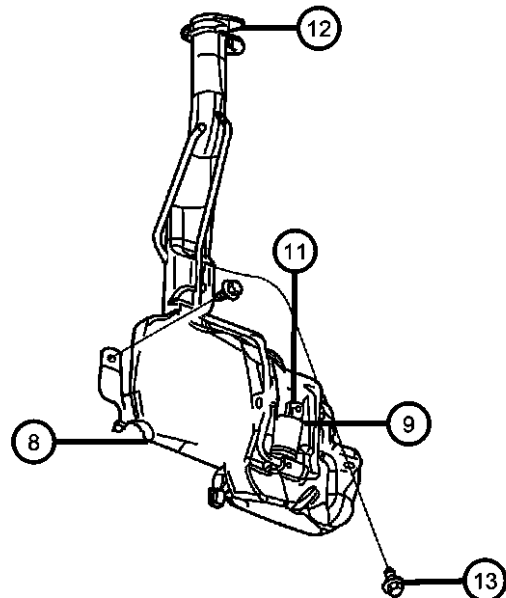
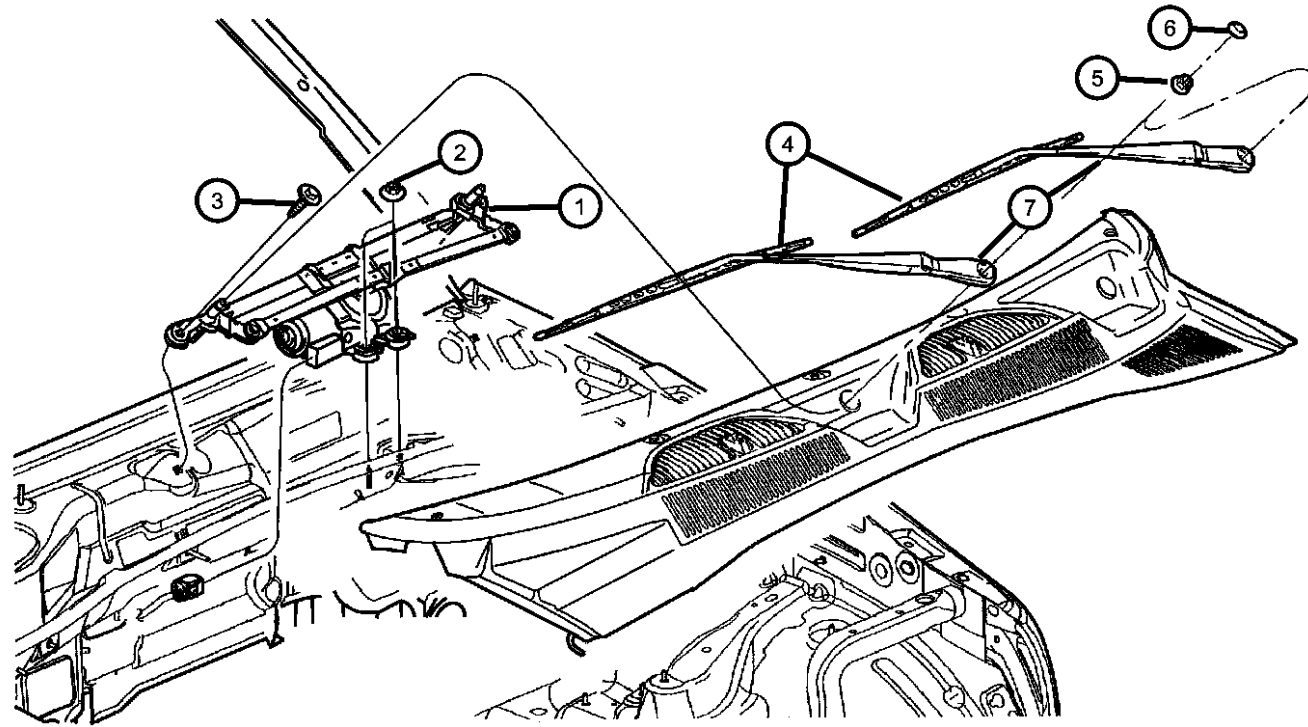
ITEM	PART NUMBER	QTY	LINE	SERIES	BODY	ENGINE	TRANS	TRIM	DESCRIPTION
1									MODULE, Wiper
	55155894AE	1	U						
	55155895AE	1	J, T						
2	34201358	2							NUT AND WASHER, Hex Nut-Sealing Washer, M6 x 1.00, M6x1.00
3	34201358	2							SCREW, Hex Flange Head, M6x1.00x35.00, (NOT SERVICED)
4									BLADE, Wiper
	68001330AA	1	J, T						EXPORT USE
	05066973AA	1	U						Left
5	06503335	2							NUT, Hex, M10X1.25
6	55155765AA	2							CAP, Wiper Arm Nut
7									ARM, Wiper
	05066969AA	1	U						Left
	05066970AA	1	J, T						Up To 1-21-05, Right
	05066968AA	1	J						Europe, Left
	05066971AA	1	U						Right
	05175406AA	1	J, T						After 1-21-05, Right
	05175407AA	1	J, T						Left
8	05161320AC	1							RESERVOIR, Washer
9	05179153AA	1							PUMP, Windshield Washer, Dual Outlet
-10	05152030AA	1							GROMMET, Windshield Washer Pump
11	05161400AA	1							SENSOR, Washer Fluid Level
12	05161321AA	1							CAP, Washer Reservoir
13	06034716	2							SCREW AND WASHER, Hex Flange Head, .25-14x.875
-14	HWV00532AB	AR							HOSE 1FT, Windshield Washer, 5/32"
-15									NOZZLE, Washer, Windshield
	55155854AB	2	U						
		2	J, T						

<b>LIBERTY (KJ)</b>				
SERIES	LINE	BODY	ENGINE	TRANSMISSION
H = HIGHLINE	T = JEEP - 2WD	74 = SPORT UTILITY 4-DR	EKG = 3.7L V6 Engine	DG6 = 4-Spd. Automatic 42RLE
M = MEDIUM	J = JEEP - 4WD		ENR = 2.8L 4 Cyl Turbo Diesel Engine	Transmission
P = PREMIUM	U = JEEP - 4WD (RHD)		ENJ = 2.5L 4 Cyl 16V Turbo Diesel Engine	DGV = 4-Spd. Automatic VLP
			ED1 = 2.4L 4 Cyl DOHC 16v SMPI Engine	Transmission
				DGQ = 5-Spd Automatic 5-45RFE
				Transmission
				DEH = 6-Speed Manual NSG370
				Transmission
				DDD = 5-Speed HD Manual
				Transmission
				DDK = 5-Speed HD Manual
				Transmission

AR = use ase required - = Non illustrated part

**Windshield Wiper and Washer  
Figure 23D-210**

ITEM	PART NUMBER	QTY	LINE	SERIES	BODY	ENGINE	TRANS	TRIM	DESCRIPTION
-16	55155892AC	1	U						HOSE, Washer Reservoir
		1	J, T						
-17	04778097	2							GROMMET, WIPER FRAME
-18	06036456AA	1							RIVET, Wiper Cap to Core Support
-19	05161326AA	1							GROMMET, Washer Level Sensor



**LIBERTY (KJ)**

SERIES	LINE
H = HIGHLINE	T = JEEP - 2WD
M = MEDIUM	J = JEEP - 4WD
P = PREMIUM	U = JEEP - 4WD (RHD)

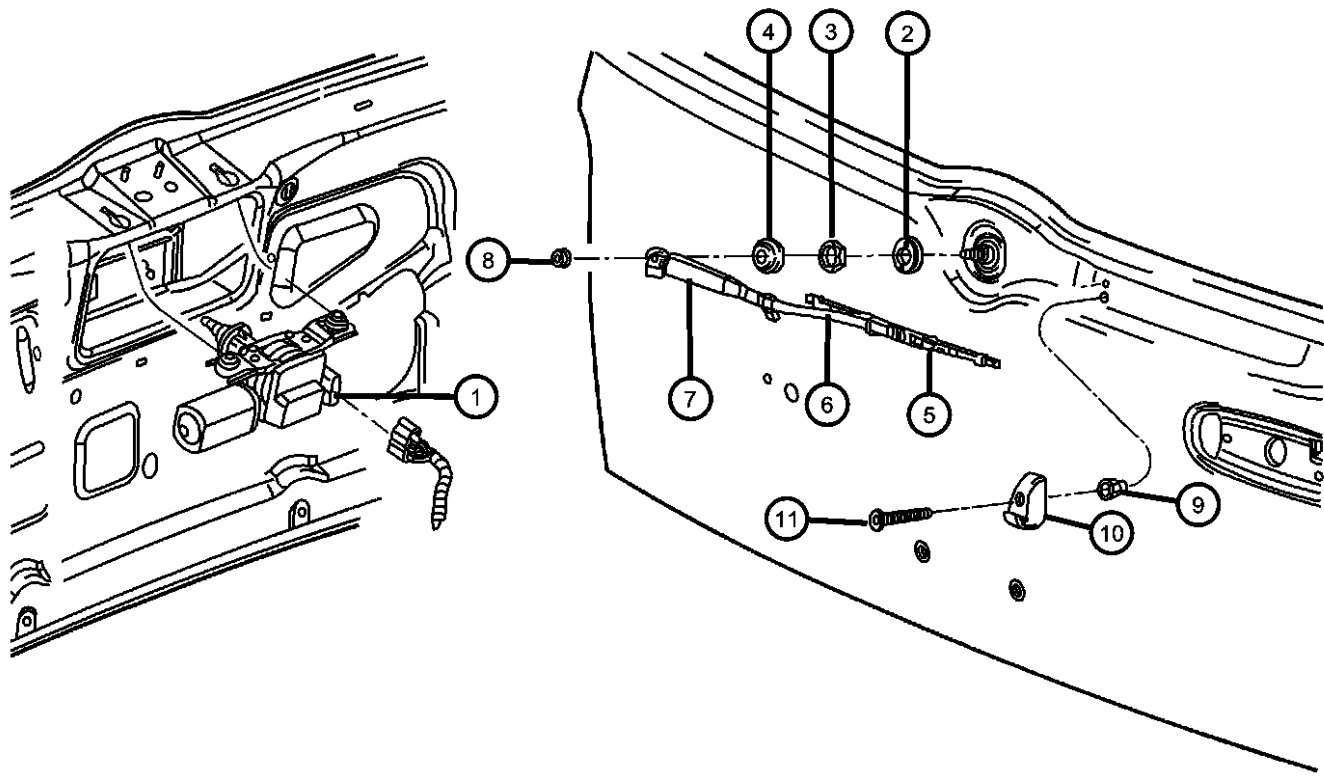
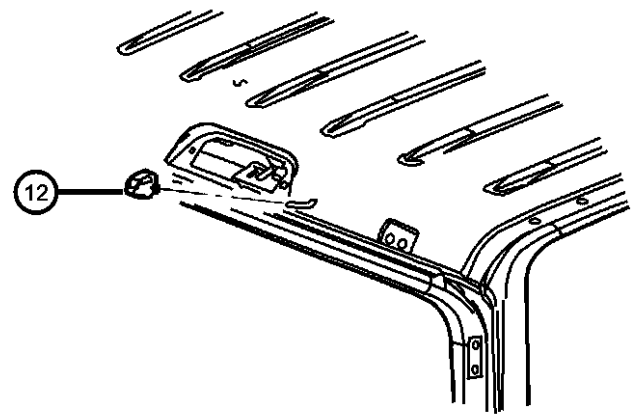
BODY
74 = SPORT UTILITY 4-DR

ENGINE	TRANSMISSION
EKG = 3.7L V6 Engine	DG6 = 4-Spd. Automatic 42RLE
ENR = 2.8L 4 Cyl Turbo Diesel Engine	Transmission
ENJ = 2.5L 4 Cyl 16V Turbo Diesel Engine	DGV = 4-Spd. Automatic VLP
ED1 = 2.4L 4 Cyl DOHC 16v SMPI Engine	Transmission
	DGQ = 5-Spd Automatic 5-45RFE
	Transmission
	DEH = 6-Speed Manual NSG370
	Transmission
	DDD = 5-Speed HD Manual
	Transmission
	DDK = 5-Speed HD Manual
	Transmission

AR = use ase required - = Non illustrated part

Rear Wiper and Washer  
Figure 23D-310

ITEM	PART NUMBER	QTY	LINE	SERIES	BODY	ENGINE	TRANS	TRIM	DESCRIPTION
1	55155884AB	1							MOTOR, Wiper
2	55155887AB	1							BEZEL, Wiper Motor
3	06507801AA	1							NUT, Hex, M20x1.00
4	55076650	1							COVER, Rear Wiper Motor
5	05066964AB	1							BLADE, Wiper
	WBRW0011AB								Mopar V-Line Alternative Part
6	05066965AA	1							ARM, Liftgate Wiper
7	06500165	1							NUT, Wiper Arm
8	06503245	1							RIVET
9	55155886AA	1							RAMP, Wiper Park
10	06505062AA	1							SCREW, Pilot Point
11	55156158AE	1							NOZZLE, Washer, Windshield
-12	HWV00532AB	AR							HOSE 1FT, Windshield Washer, 5/32"
-13	55156260AA	1							CLIP, Hose



LIBERTY (KJ)

SERIES      LINE  
H = HIGHLINE    T = JEEP - 2WD  
M = MEDIUM      J = JEEP - 4WD  
P = PREMIUM      U = JEEP - 4WD (RHD)

BODY  
74 = SPORT UTILITY 4-DR

ENGINE      TRANSMISSION  
EKG = 3.7L V6 Engine      DG6 = 4-Spd. Automatic 42RLE  
ENR = 2.8L 4 Cyl Turbo Diesel Engine      DGV = 4-Spd. Automatic VLP  
ENJ = 2.5L 4 Cyl 16V Turbo Diesel Engine      DGQ = 5-Spd Automatic 5-45RFE  
ED1 = 2.4L 4 Cyl DOHC 16v SMPI Engine      DEH = 6-Speed Manual NSG370  
Transmission  
DDD = 5-Speed HD Manual Transmission  
DDK = 5-Speed HD Manual Transmission

AR = use ase required    - = Non illustrated part

# Group - 24

## Air Conditioning & Heater

### Group - 24 Air Conditioning & Heater

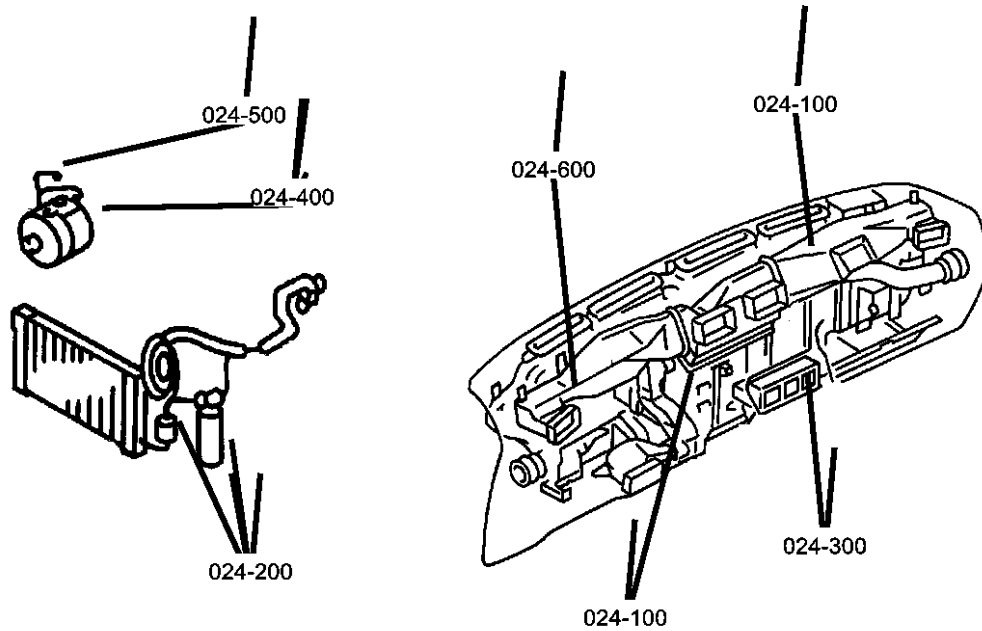


Illustration Title

Group-Fig. No.

#### Air Conditioner and Heater Units

HEVAC Unit.....Fig. 24 - 110

#### Air Conditioner and Heater Plumbing

Plumbing, Heater 3.7L Engine, LHD.....Fig. 24 - 230  
 Plumbing, Heater 3.7L RHD.....Fig. 24 - 240  
 Plumbing, Heater 2.8L Diesel Engine, LHD.....Fig. 24 - 250  
 Plumbing, Heater 2.8L Diesel Engine RHD.....Fig. 24 - 260  
 Plumbing, Air Conditioning 3.7L Engine, LHD.....Fig. 24 - 285  
 Plumbing, Air Conditioning 3.7L Engine RHD.....Fig. 24 - 288  
 Plumbing, Air Conditioning 2.8L Diesel Engine, LHD.....Fig. 24 - 290  
 Plumbing, Air Conditioning 2.8L Diesel Engine, RHD.....Fig. 24 - 295

#### Air Conditioner and Heater Controls

Control, Heater and Air Conditioning.....Fig. 24 - 310

#### Air Conditioning Compressor

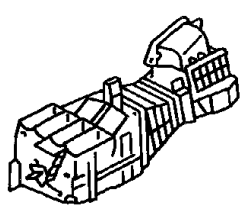
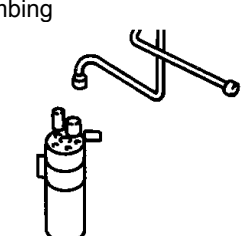
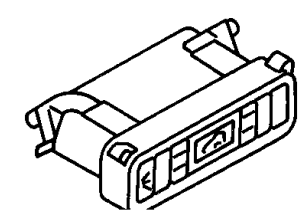
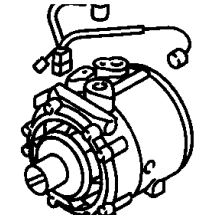
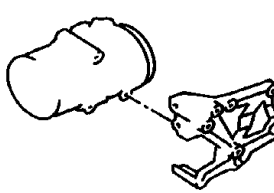
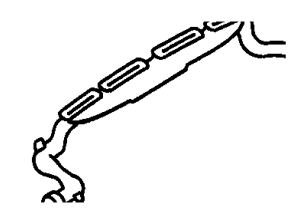
Compressor, 3.7L Engine.....Fig. 24 - 410  
 Compressor, 2.8L Diesel Engine.....Fig. 24 - 430

#### Air Conditioning Compressor Mounting

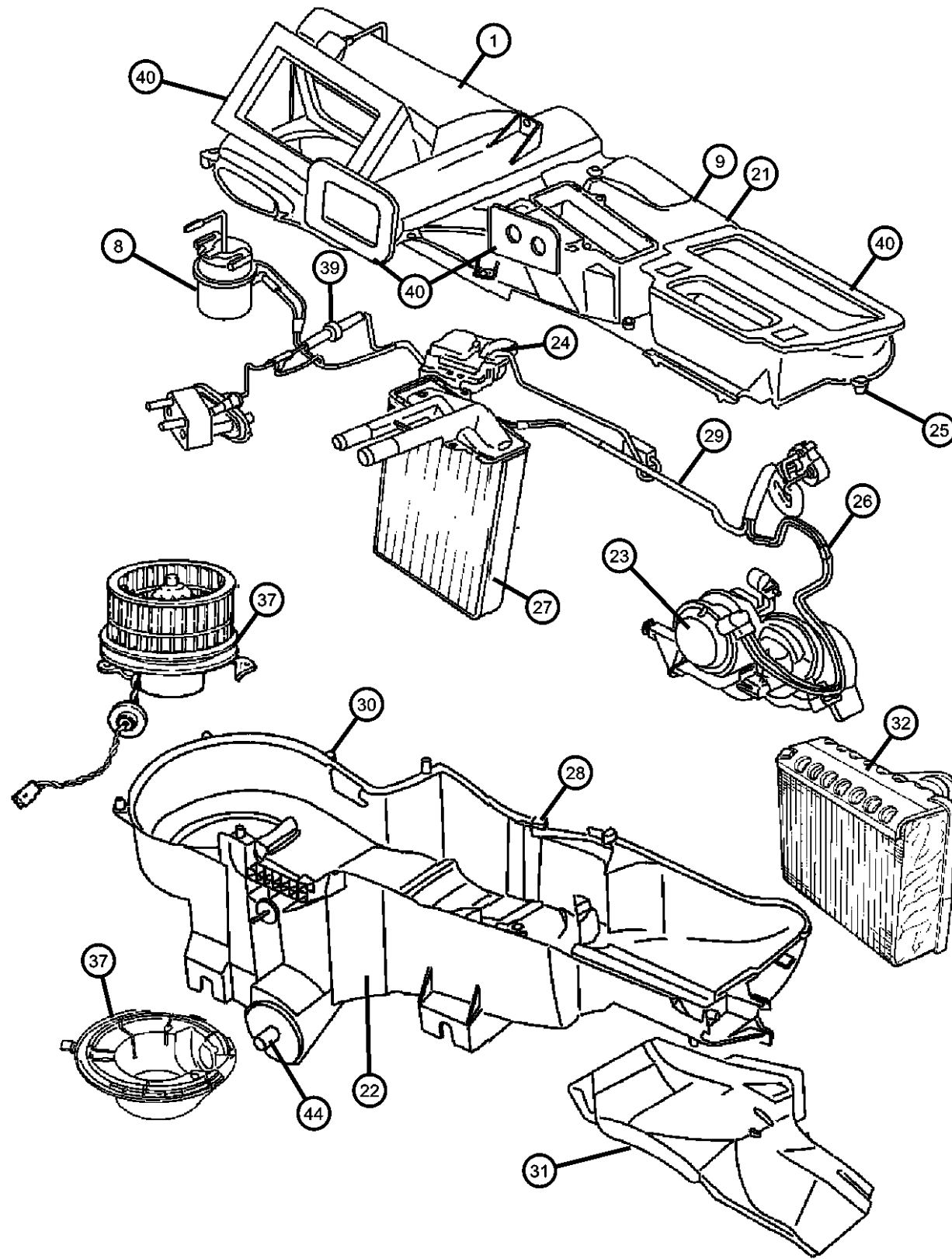
Compressor Mounting, 3.7L Engine.....Fig. 24 - 510  
 Compressor Mounting, 2.8L Diesel Engine.....Fig. 24 - 530

#### Air Ducts and Outlets

Air Distribution Ducts.....Fig. 24 - 610

<p><b>024-100</b> Air Conditioner and Heater Units</p> 	<p><b>024-200</b> Air Conditioner and Heater Plumbing</p> 	<p><b>024-300</b> Air Conditioner and Heater Controls</p> 	<p><b>024-400</b> Air Conditioning Compressor</p> 
<p><b>024-500</b> Air Conditioning Compressor Mounting</p> 	<p><b>024-600</b> Air Ducts and Outlets</p> 		

HEVAC Unit  
Figure 24-110



ITEM	PART NUMBER	QTY	LINE	SERIES	BODY	ENGINE	TRANS	TRIM	DESCRIPTION
1	05066496AA	1	J, T						HOUSING, Air Inlet Includes items 2-6
	05066507AA	1	U						
-2	06502726	2							NUT, Air Inlet Attachment
-3	06502726	2							HOUSING, Air Inlet, (NOT SERVICED)
-4	06502726	2							DOOR, Air Inlet, (NOT SERVICED)
-5	06502726	2							CAM, Recirculating Door, (NOT SERVICED)
-6	06502726	2							LEVER, A/C Recirculation Door, (NOT SERVICED)
-7	06502726	2							SEAL, Air Inlet, (NOT SERVICED)
8	05066510AA	1	J, T						ACTUATOR, A/C and Heater Recirculation, Vacuum
	05066511AA	1	U						Recirculation [RHD], Vacuum
9	05189336AA	1	J, T						HOUSING KIT, A/C and Heater, Includes items 9-19
-10	05189336AA	1							HOUSING, A/C Upper, (NOT SERVICED)
-11	05189336AA	1							DOOR, Panel, (NOT SERVICED)
-12	05189336AA	1							LEVER, Panel Door, (NOT SERVICED)
-13	05189336AA	1							SEAL, Evaporator, Tubes To Dash, (NOT SERVICED)
-14	05189336AA	1							SEAL, Defroster To Panel, (NOT SERVICED)
-15	05189336AA	1							HOUSING, A/C Lower, (NOT SERVICED)
-16	05189336AA	1							STUD, A/C and Heater Housing Mtg., (NOT SERVICED)
-17	05189336AA	1							WASHER, A/C Unit Mounting Stud, (NOT SERVICED)
-18	05189336AA	1							DOOR, Blend Air, (NOT SERVICED)
-19	05189336AA	1							DOOR, A/C and Heater Mode, (NOT SERVICED)
-20	05189336AA	1							LINK, Blend Door, (NOT SERVICED)

LIBERTY (KJ)

SERIES	LINE
H = HIGHLINE	T = JEEP - 2WD
M = MEDIUM	J = JEEP - 4WD
P = PREMIUM	U = JEEP - 4WD (RHD)

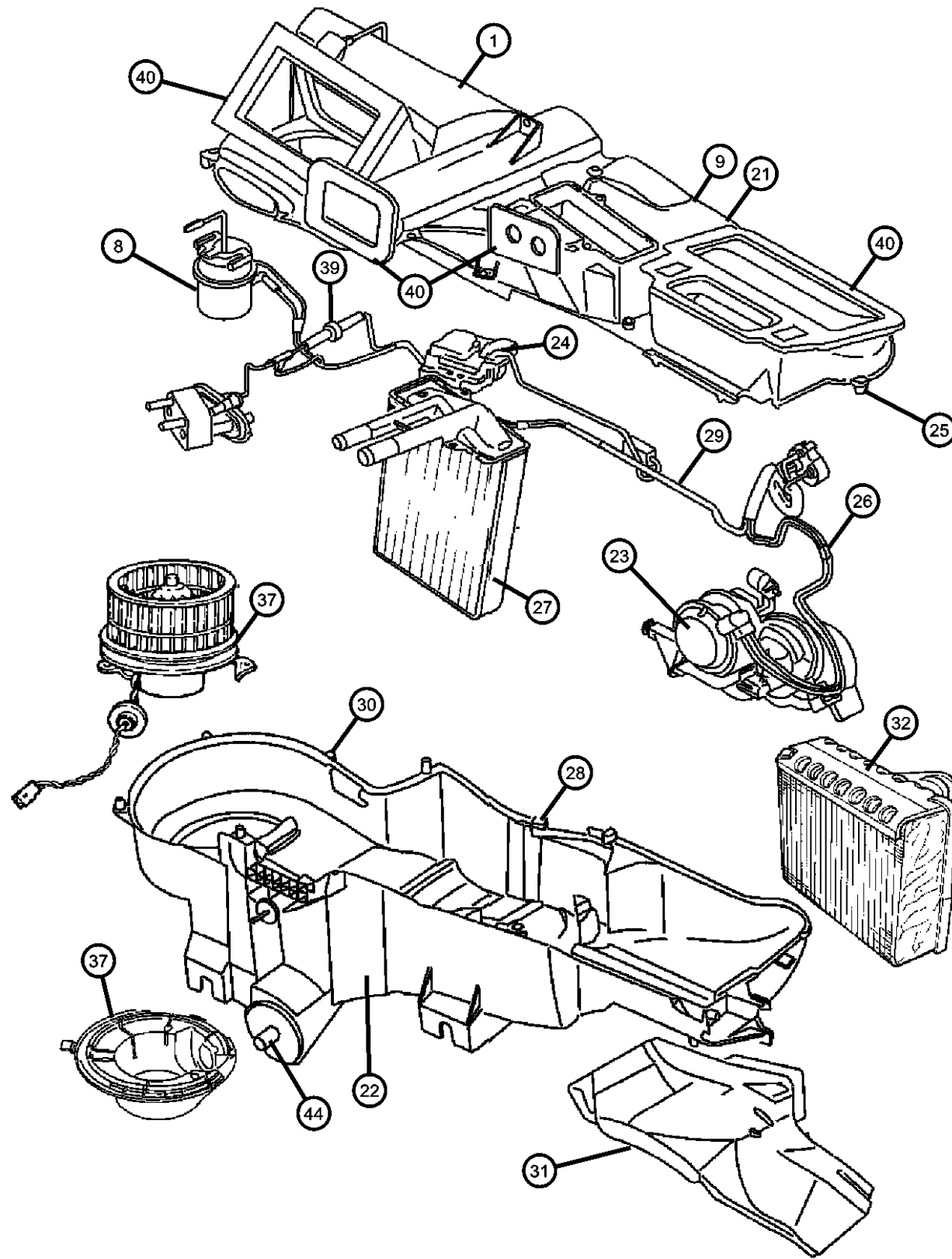
BODY  
74 = SPORT UTILITY 4-DR

ENGINE	TRANSMISSION
EKG = 3.7L V6 Engine	DG6 = 4-Spd. Automatic 42RLE
ENR = 2.8L 4 Cyl Turbo Diesel Engine	Transmission
ENJ = 2.5L 4 Cyl 16V Turbo Diesel Engine	DGV = 4-Spd. Automatic VLP
ED1 = 2.4L 4 Cyl DOHC 16v SMPI Engine	Transmission
	DGQ = 5-Spd Automatic 5-45RFE
	Transmission
	DEH = 6-Speed Manual NSG370
	Transmission
	DDD = 5-Speed HD Manual
	Transmission
	DDK = 5-Speed HD Manual
	Transmission

AR = use ase required - = Non illustrated part

2006 KJ

HEVAC Unit  
Figure 24-110



ITEM	PART NUMBER	QTY	LINE	SERIES	BODY	ENGINE	TRANS	TRIM	DESCRIPTION
21	05174386AA	1	U						HOUSING, A/C Upper, Includes: Panel Door, Panel Door Lever, and Nut
22	05066532AB	1	J, T						HOUSING, A/C Lower
	05174389AA	1	U						Includes: Blend Door, Floor/Defrost Door, Blend Door Link, Nut, Washer, Stud
23	05066518AA	1	J, T						ACTUATOR, A/C and Heater, Floor and Defrost Door, Vacuum
24	05174382AA	1	J, T						ACTUATOR, A/C and Heater
	05174387AA	1	U						Blend Door, Electric Motor
25	04734227	1	J, T						Blend Door [RHD], Electric Motor
26	05166196AA	1	J, T						SCREW, Hex Head, M4.8-1.59x19
27	05066555AB	1	J, T						HARNES, Jumper
28	04644388	4	J, T						CORE, Heater
29	05066531AA	1	J, T						CLIP, A/C Heater Housing
30	06506035AA	8							VACUUM HARNES, Heater and A/C
31	05066535AA	1	J, T						NUT, U, M6x1
	05066536AA	1	U						DUCT, Floor
	05189335AA	1	J, T						Left
	05189335AA	1	J, T						Right
32	05189335AA	1	J, T						EVAPORATOR KIT, Air Conditioning, Includes items 31-34
-33	05189335AA	1							LINER, Evaporator, (NOT SERVICED)
-34	05189335AA	1							EVAPORATOR, Air Conditioning, (NOT SERVICED)
-35	05189335AA	1							ISOLATOR, Evaporator Tube, (NOT SERVICED)
-36	05189335AA	1							SEAL, Evaporator Tube, (NOT SERVICED)
37	05139720AA	1	J, T						MOTOR, Blower with Wheel

LIBERTY (KJ)

SERIES      LINE  
H = HIGHLINE    T = JEEP - 2WD  
M = MEDIUM    J = JEEP - 4WD  
P = PREMIUM    U = JEEP - 4WD (RHD)

BODY  
74 = SPORT UTILITY 4-DR

ENGINE  
EKG = 3.7L V6 Engine  
ENR = 2.8L 4 Cyl Turbo Diesel Engine  
ENJ = 2.5L 4 Cyl 16V Turbo Diesel Engine  
ED1 = 2.4L 4 Cyl DOHC 16v SMPI Engine

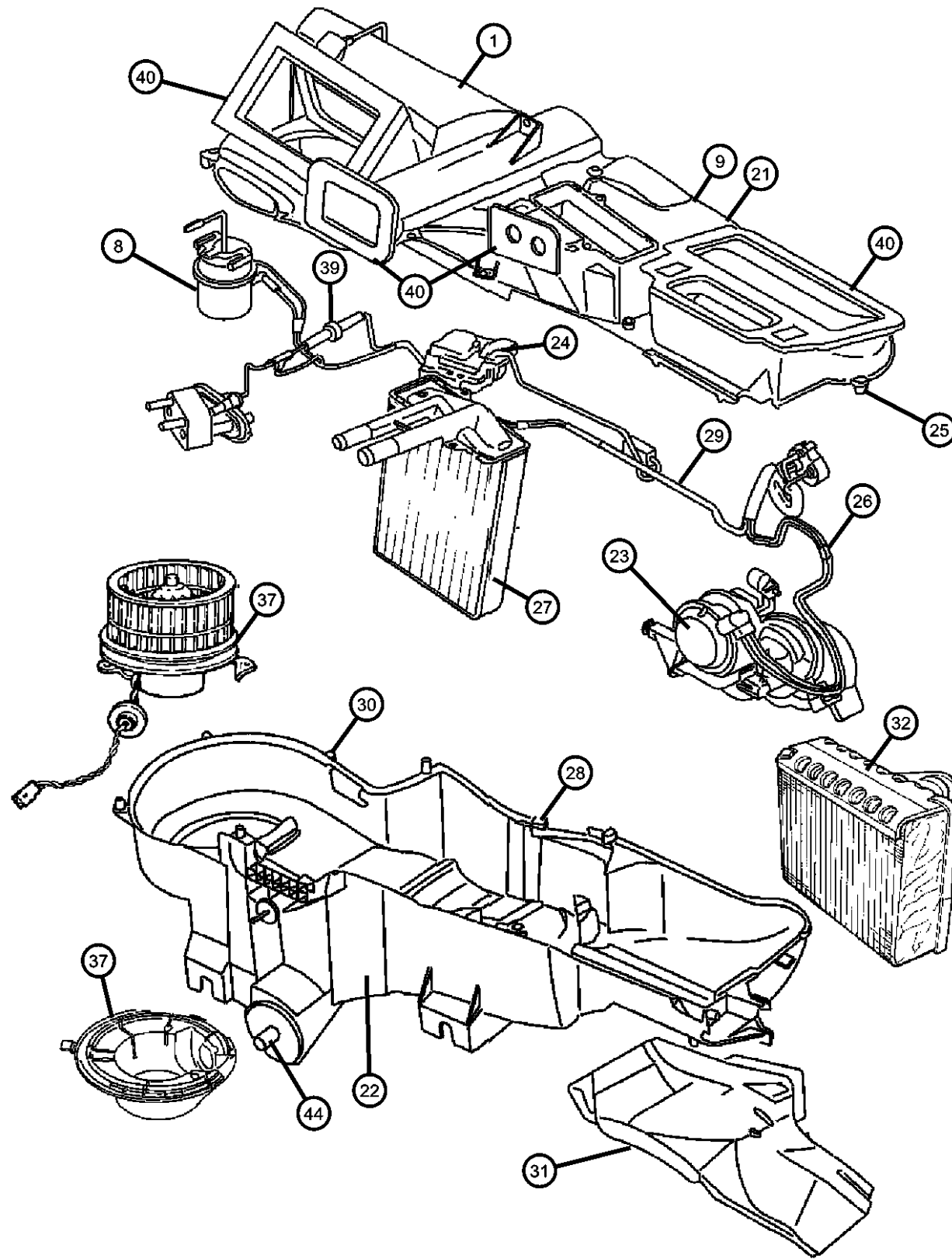
TRANSMISSION  
DG6 = 4-Spd. Automatic 42RLE Transmission  
DGV = 4-Spd. Automatic VLP Transmission  
DGQ = 5-Spd Automatic 5-45RFE Transmission  
DEH = 6-Speed Manual NSG370 Transmission  
DDD = 5-Speed HD Manual Transmission  
DDK = 5-Speed HD Manual Transmission

AR = use ase required - = Non illustrated part

2006 KJ



HEVAC Unit  
Figure 24-110



ITEM	PART NUMBER	QTY	LINE	SERIES	BODY	ENGINE	TRANS	TRIM	DESCRIPTION
	05139721AA	1	U						[RHD]
-38	05139719AA	1	J, T						RESISTOR, A/C Heater
39	04549209	1	J, T						VALVE PACKAGE, Check
		1	U						
40	05071491AA	1	J, T						SEAL KIT, A/C And Heater Unit Includes panel defrost, drain tube, heater tube and evaporator tube seals
	05072576AA	1	U						Includes panel defrost, drain tube, heater tube and evaporator tube seals
-41									HOSE AND VALVE, Vacuum
	55038432AD	1	J, T						Air Conditioning
	55038433AE	1	U						Air Conditioning
-42	06507856AA	1				EK0			SCREW AND WASHER
-43	06101826	4							SCREW, M6x1x20, A/C Unit Mounting
44	55037651AB	1							TUBE, Evaporator Housing

LIBERTY (KJ)

SERIES	LINE
H = HIGHLINE	T = JEEP - 2WD
M = MEDIUM	J = JEEP - 4WD
P = PREMIUM	U = JEEP - 4WD (RHD)

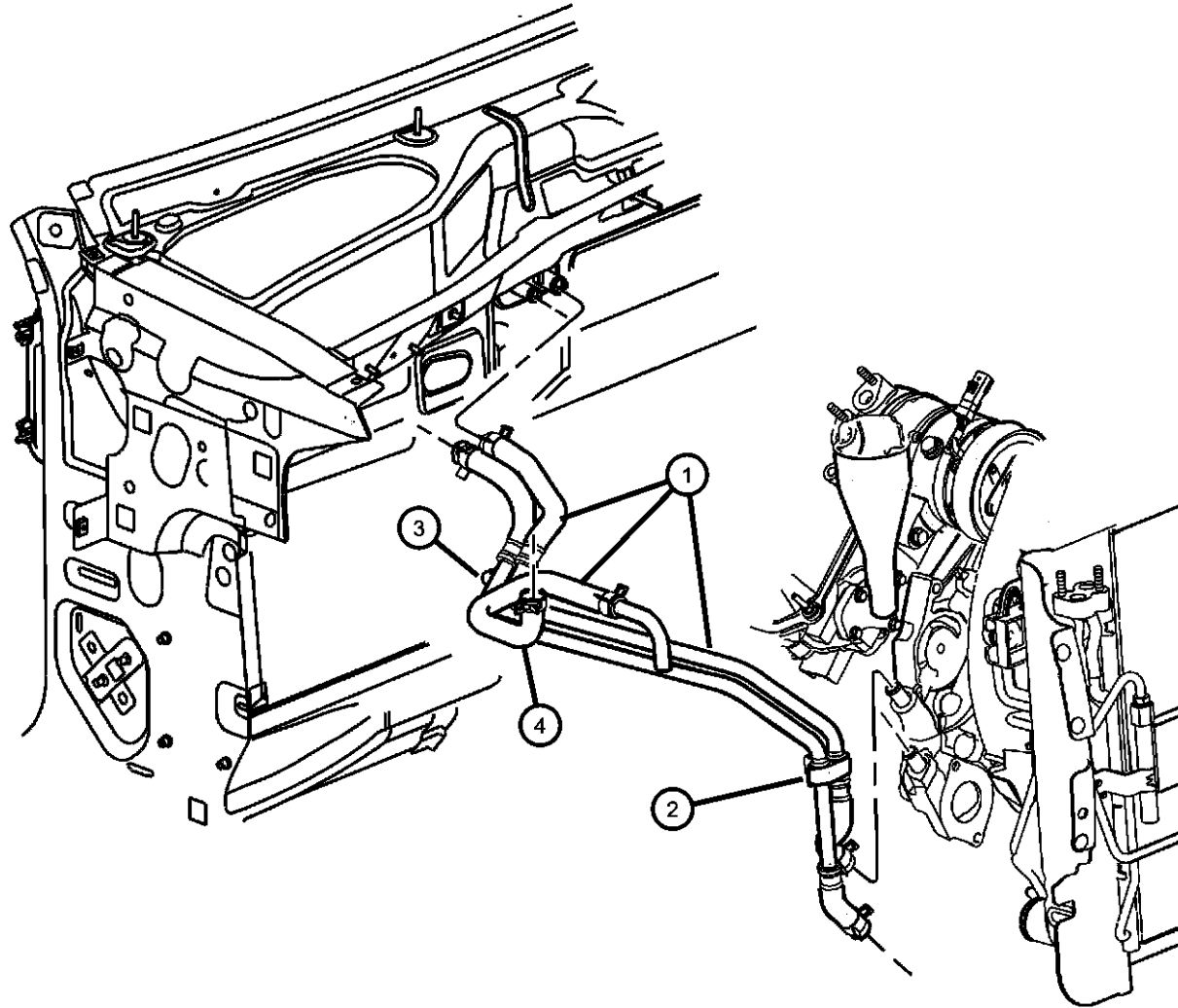
BODY
74 = SPORT UTILITY 4-DR

ENGINE	TRANSMISSION
EKG = 3.7L V6 Engine	DG6 = 4-Spd. Automatic 42RLE
ENR = 2.8L 4 Cyl Turbo Diesel	Transmission
Engine	DGV = 4-Spd. Automatic VLP
ENJ = 2.5L 4 Cyl 16V Turbo	Transmission
Diesel Engine	DGQ = 5-Spd Automatic 5-45RFE
ED1 = 2.4L 4 Cyl DOHC 16v	Transmission
SMPI Engine	DEH = 6-Speed Manual NSG370
	Transmission
	DDD = 5-Speed HD Manual
	Transmission
	DDK = 5-Speed HD Manual
	Transmission

AR = use ase required - = Non illustrated part

Plumbing, Heater 3.7L Engine, LHD  
Figure 24-230

ITEM	PART NUMBER	QTY	LINE	SERIES	BODY	ENGINE	TRANS	TRIM	DESCRIPTION
Sales Codes: [EK0]=All 3.7L V-6 Engines									
1	55038331AG	1	J, T			EK0			HOSE, Heater Supply, Includes item 4
2	05072449AA	1	J, T			EK0			BRACKET
3	05072450AB	1	J, T			EK0			BRACKET
4	05072448AA	1	J, T			EK0			HOSE, Hot Bottle



LIBERTY (KJ)

SERIES      LINE  
H = HIGHLINE    T = JEEP - 2WD  
M = MEDIUM     J = JEEP - 4WD  
P = PREMIUM    U = JEEP - 4WD (RHD)

BODY  
74 = SPORT UTILITY 4-DR

ENGINE  
EKG = 3.7L V6 Engine  
ENR = 2.8L 4 Cyl Turbo Diesel Engine  
ENJ = 2.5L 4 Cyl 16V Turbo Diesel Engine  
ED1 = 2.4L 4 Cyl DOHC 16v SMPI Engine

TRANSMISSION  
DG6 = 4-Spd. Automatic 42RLE Transmission  
DGV = 4-Spd. Automatic VLP Transmission  
DGQ = 5-Spd Automatic 5-45RFE Transmission  
DEH = 6-Speed Manual NSG370 Transmission  
DDD = 5-Speed HD Manual Transmission  
DDK = 5-Speed HD Manual Transmission

AR = use ase required - = Non illustrated part

2006 KJ

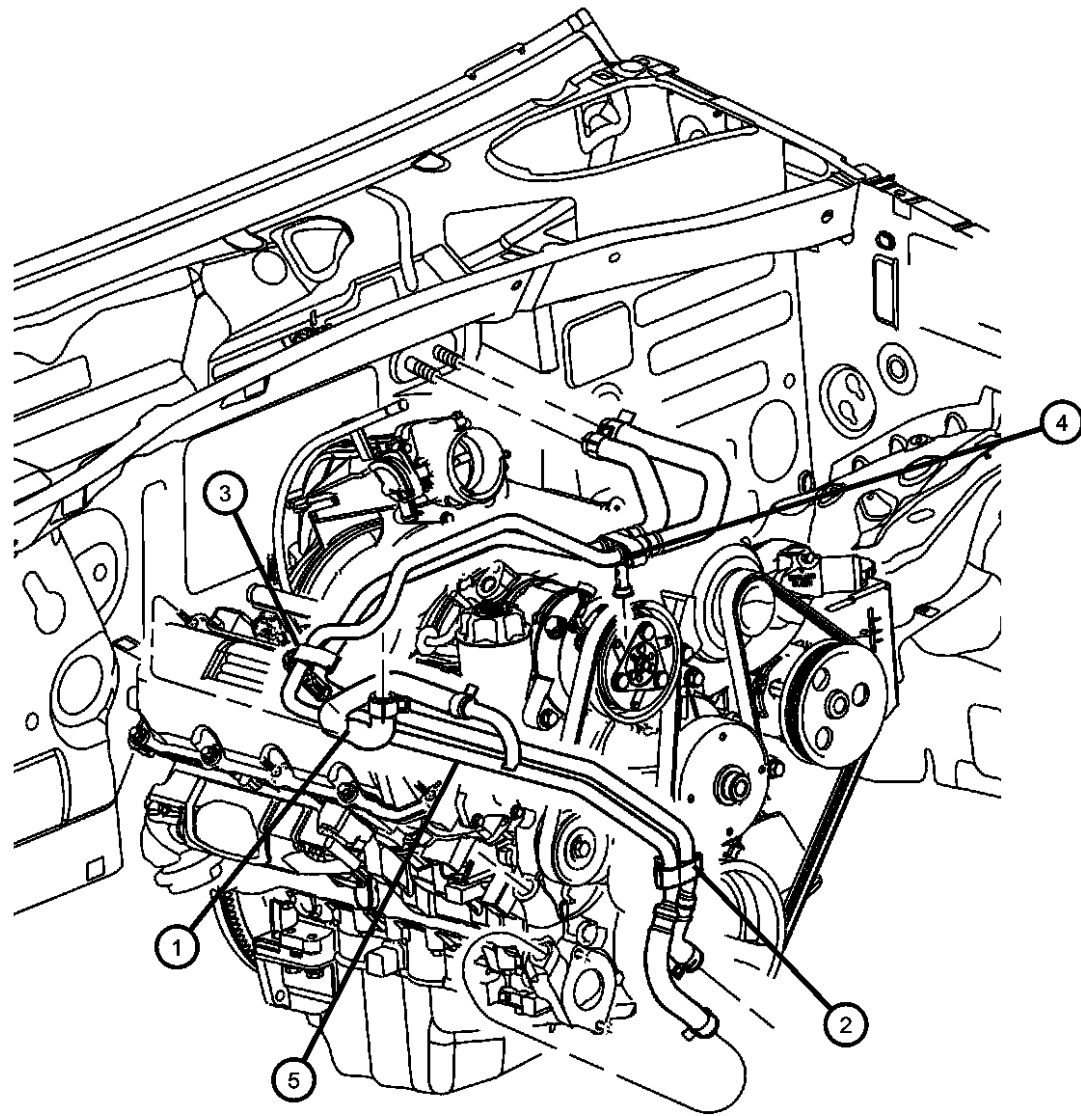
**Plumbing, Heater 3.7L RHD**  
**Figure 24-240**

ITEM	PART NUMBER	QTY	LINE	SERIES	BODY	ENGINE	TRANS	TRIM	DESCRIPTION
------	-------------	-----	------	--------	------	--------	-------	------	-------------

Note: Sales Codes

[EK0]= All 3.7L, 6 Cylinder Gas Engines

1	05072448AA	1	J, T			EK0			HOSE, Hot Bottle
2	05072449AA	1	J, T			EK0			BRACKET, Oil Fill
3	05072450AB	1	J, T			EK0			BRACKET, Valve Cover
4	04754806	1	U						BRACKET, Intake Manifold
5	55038334AG	1	U			EK0			HOSE, Heater Supply



**LIBERTY (KJ)**

SERIES	LINE
H = HIGHLINE	T = JEEP - 2WD
M = MEDIUM	J = JEEP - 4WD
P = PREMIUM	U = JEEP - 4WD (RHD)

BODY  
74 = SPORT UTILITY 4-DR

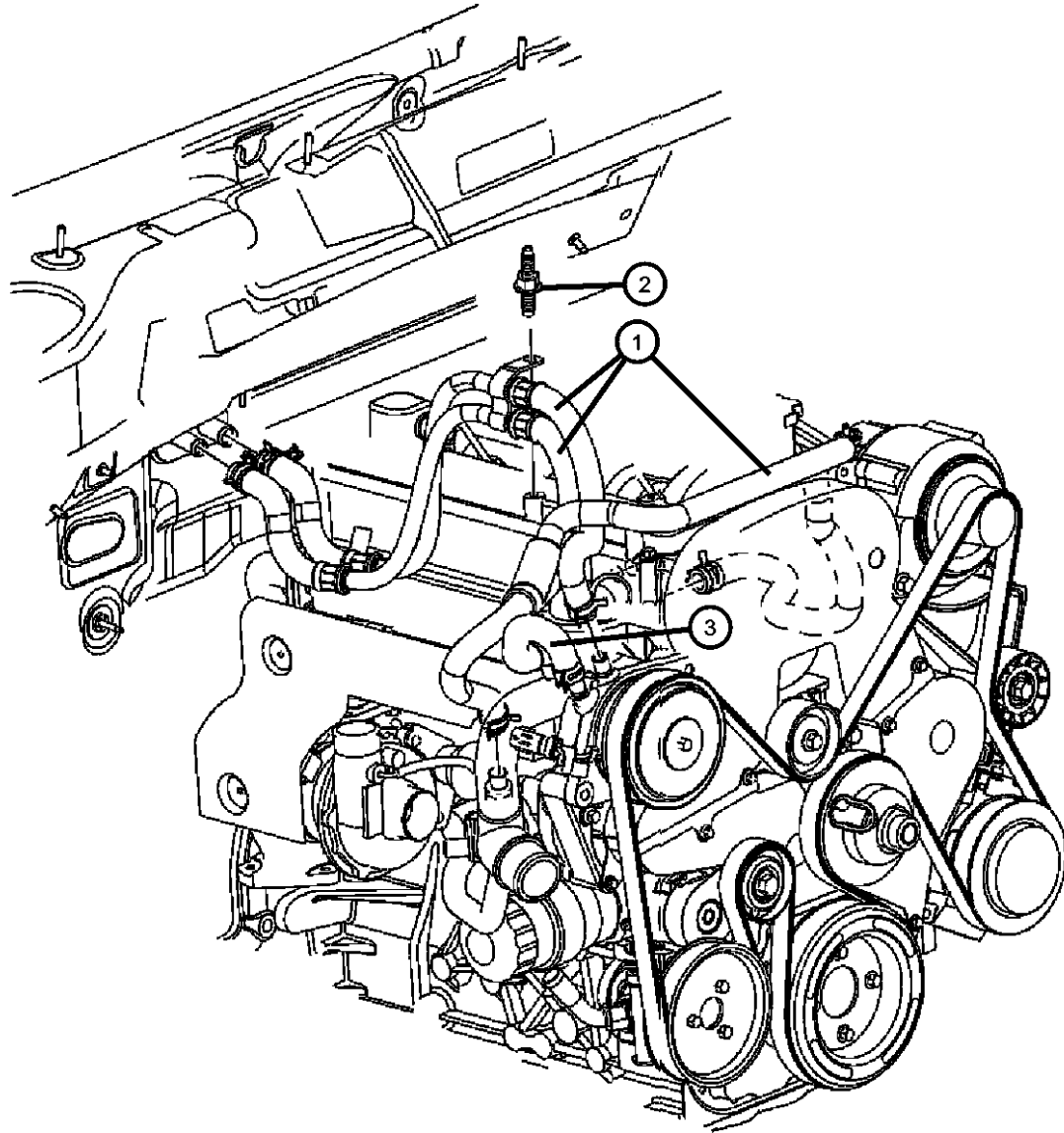
ENGINE	TRANSMISSION
EKG = 3.7L V6 Engine	DG6 = 4-Spd. Automatic 42RLE
ENR = 2.8L 4 Cyl Turbo Diesel Engine	Transmission
ENJ = 2.5L 4 Cyl 16V Turbo Diesel Engine	DGV = 4-Spd. Automatic VLP
ED1 = 2.4L 4 Cyl DOHC 16v SMPI Engine	Transmission
	DGQ = 5-Spd Automatic 5-45RFE
	Transmission
	DEH = 6-Speed Manual NSG370
	Transmission
	DDD = 5-Speed HD Manual
	Transmission
	DDK = 5-Speed HD Manual
	Transmission

AR = use ase required - = Non illustrated part

2006 KJ

**Plumbing, Heater 2.8L Diesel Engine, LHD**  
**Figure 24-250**

ITEM	PART NUMBER	QTY	LINE	SERIES	BODY	ENGINE	TRANS	TRIM	DESCRIPTION
1	55037738AD	1	J, T			EN0			HOSE, Heater Supply
2	06501474	1	J, U						BOLT, Hex Head, M8x1.25x16
3	05142787AA	1				EN0			HOSE



**LIBERTY (KJ)**

SERIES      LINE  
H = HIGHLINE    T = JEEP - 2WD  
M = MEDIUM     J = JEEP - 4WD  
P = PREMIUM    U = JEEP - 4WD (RHD)

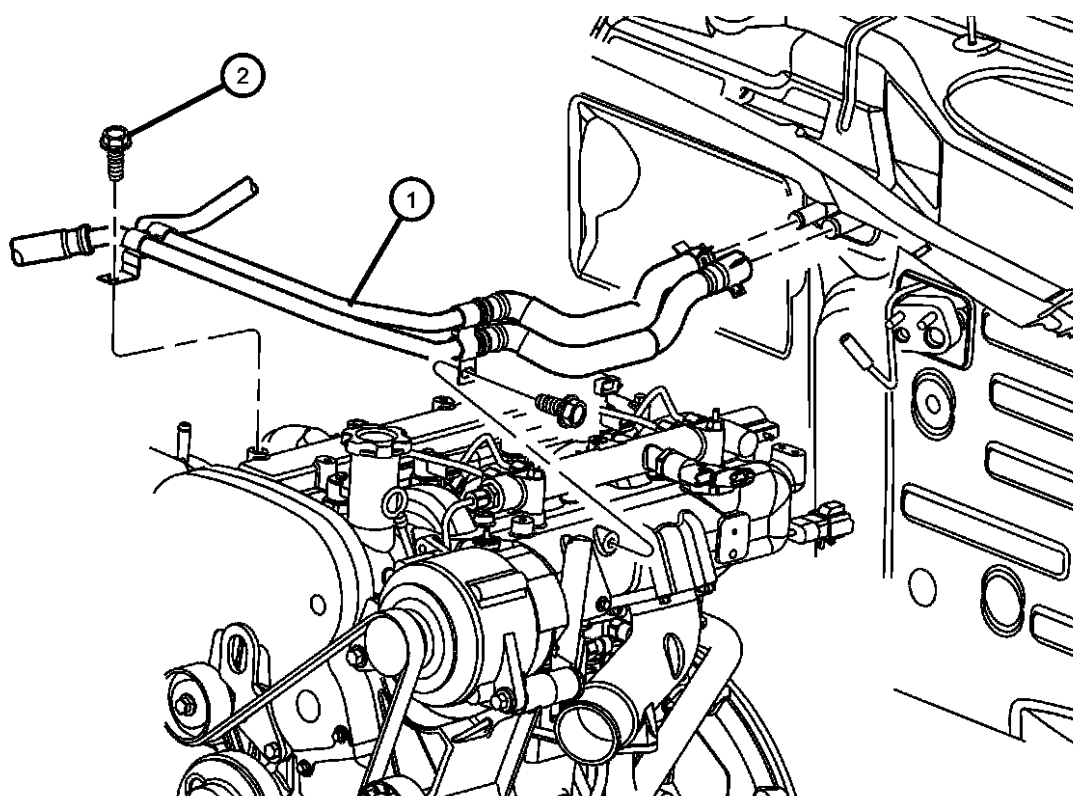
BODY  
74 = SPORT UTILITY 4-DR

ENGINE      TRANSMISSION  
EKG = 3.7L V6 Engine      DG6 = 4-Spd. Automatic 42RLE  
ENR = 2.8L 4 Cyl Turbo Diesel Engine      DGV = 4-Spd. Automatic VLP  
ENJ = 2.5L 4 Cyl 16V Turbo Diesel Engine      DGQ = 5-Spd Automatic 5-45RFE  
ED1 = 2.4L 4 Cyl DOHC 16v SMPI Engine      DEH = 6-Speed Manual NSG370  
Transmission  
DDD = 5-Speed HD Manual Transmission  
DDK = 5-Speed HD Manual Transmission

AR = use ase required - = Non illustrated part

**Plumbing, Heater 2.8L Diesel Engine RHD**  
**Figure 24-260**

ITEM	PART NUMBER	QTY	LINE	SERIES	BODY	ENGINE	TRANS	TRIM	DESCRIPTION
1	55037739AC	1	U			EN0			HOSE, Heater Supply
2	06501474	1	J, U						BOLT, Hex Head, M8x1.25x16



**LIBERTY (KJ)**

SERIES      LINE  
H = HIGHLINE    T = JEEP - 2WD  
M = MEDIUM     J = JEEP - 4WD  
P = PREMIUM    U = JEEP - 4WD (RHD)

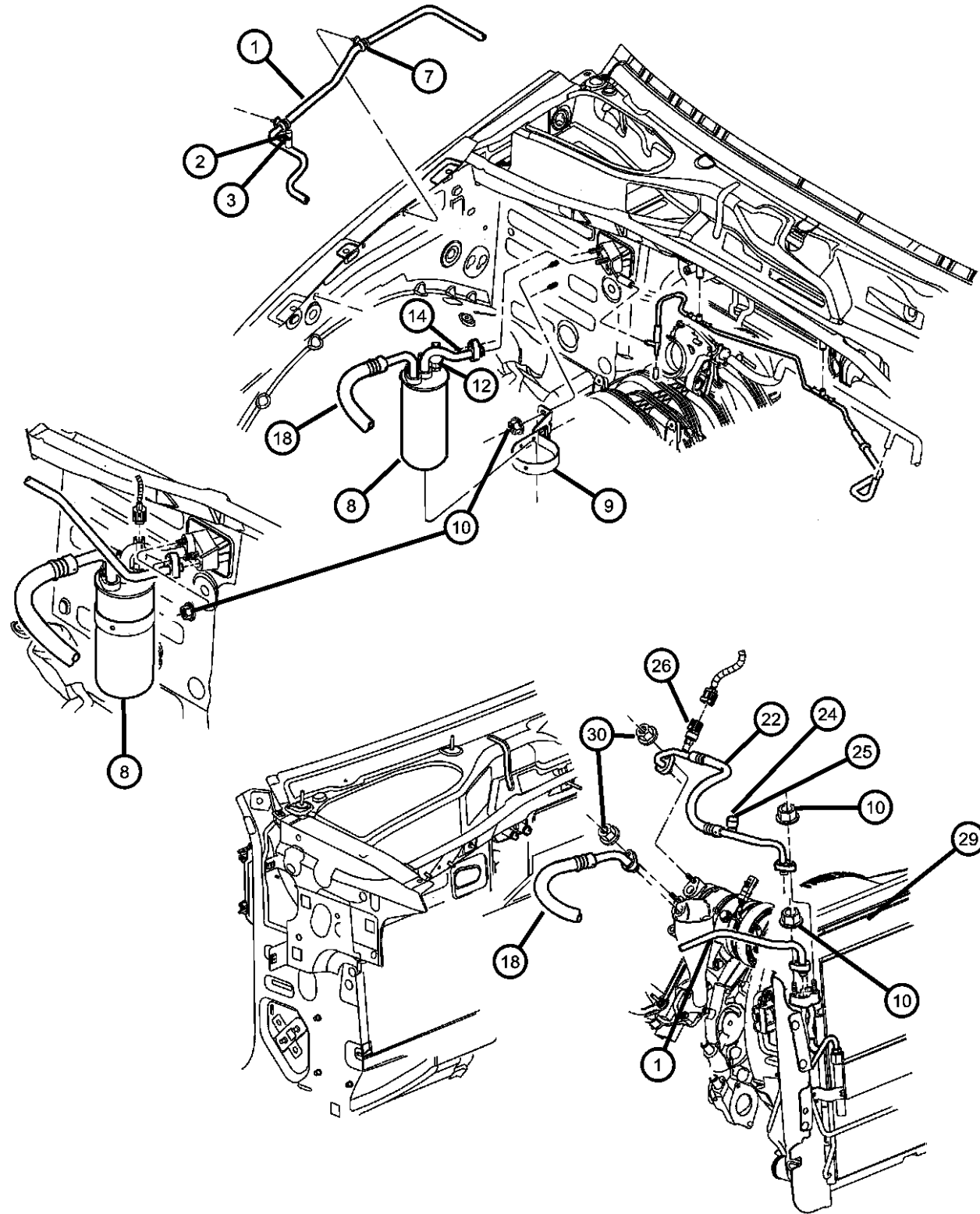
BODY  
74 = SPORT UTILITY 4-DR

ENGINE      TRANSMISSION  
EKG = 3.7L V6 Engine      DG6 = 4-Spd. Automatic 42RLE  
ENR = 2.8L 4 Cyl Turbo Diesel      Transmission  
Engine      DGV = 4-Spd. Automatic VLP  
ENJ = 2.5L 4 Cyl 16V Turbo      Transmission  
Diesel Engine      DGQ = 5-Spd Automatic 5-45RFE  
ED1 = 2.4L 4 Cyl DOHC 16v      Transmission  
SMPI Engine      DEH = 6-Speed Manual NSG370  
Transmission  
DDD = 5-Speed HD Manual  
Transmission  
DDK = 5-Speed HD Manual  
Transmission

AR = use ase required    - = Non illustrated part

2006 KJ

**Plumbing,Air Conditioning 3.7L Engine, LHD**  
**Figure 24-285**

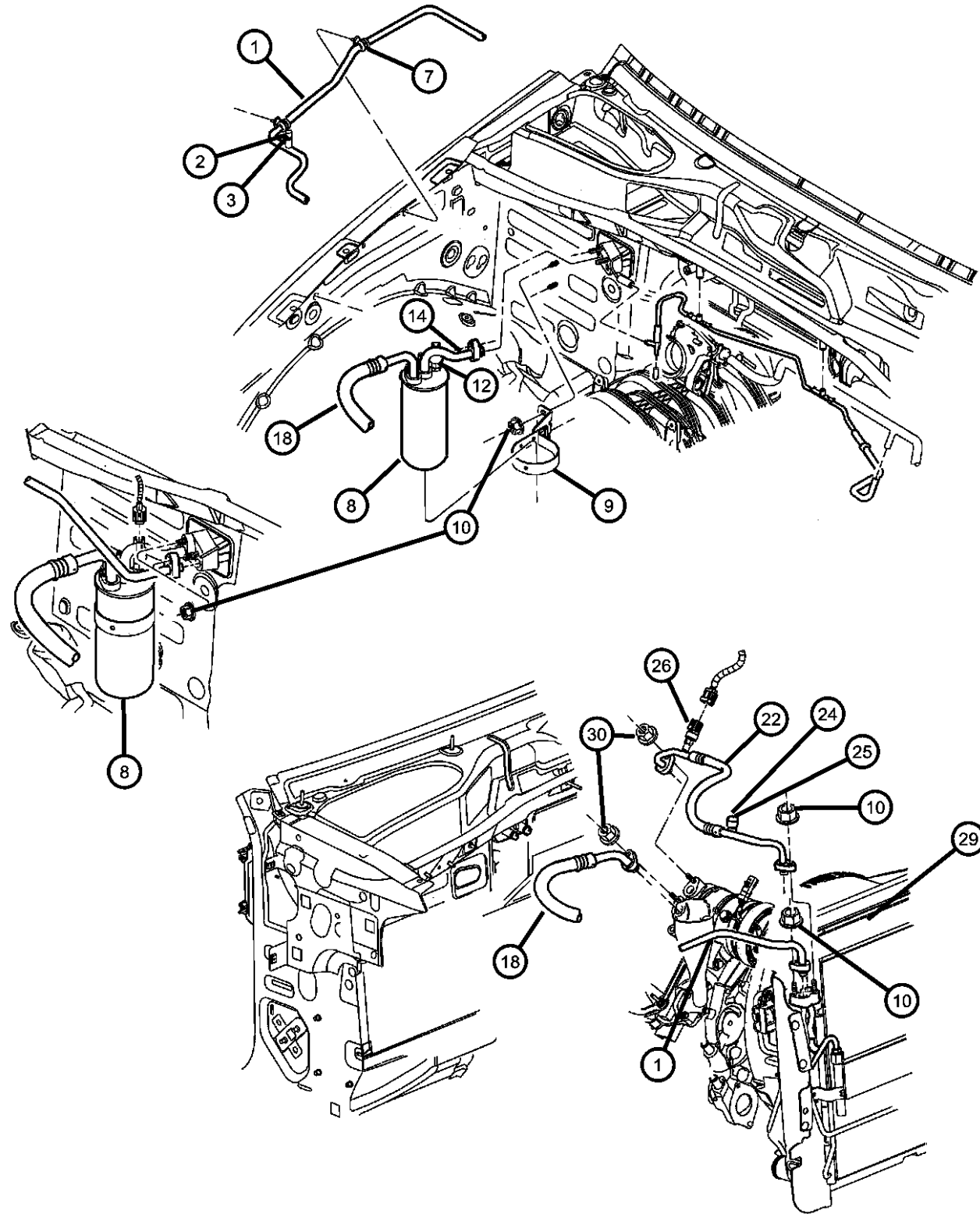


ITEM	PART NUMBER	QTY	LINE	SERIES	BODY	ENGINE	TRANS	TRIM	DESCRIPTION
Note; Sales Codes [EK0]= All 3.7L, 6 Cylinder Gas Engines									
1	55037809AG	1	J, T			EK0			LINE, A/C Liquid
2	05101791AA	1	J, T			EK0			VALVE, Charging
3	04882335	1	J, T			EK0			CAP, A/C Check Valve
-4	05183657AA	1	T, J			EK0			O RING KIT, Quick Connect
-5	05174115AA	1	J, T			EK0			SEAL, A/C Line
-6	05139487AA	1	J, T			EK0			O RING, A/C Line
7	56021384	2							CLIP
8	05189452AA	1	J, T			EK0			ACCUMULATOR, Suction Line
9	55037764AC	1	J, T						BRACKET, Accumulator
10	06506152AA	2	J, T						NUT AND CONED WASHER, Hex, M8x1.25
-11	05264638	1	J, T			EK0			VALVE, Charging
12	05170126AA	1	J, T			EK0			SWITCH, A/C Cycling
-13	05012348AA	1	J, T			EK0			O RING, A/C Suction Line
14	05189744AA	1	J, T			EK0			LINE, A/C Suction
-15	05139486AA	1	J, T			EK0			O RING, A/C Line, At Accumulator
-16	05072140AA	1	J, T			EK0			SEAL, A/C Line, At Accumulator
-17	05183716AA	1	J, T			EK0			O RING KIT, Quick Connect, At Evaporator
18	05189745AA	1	J, T			EK0			LINE, A/C Suction
-19	05066498AA	1	J, T			EK0			GASKET & O RING KIT, A/C Line, At Compressor
-20	05139486AA	1	J, T			EK0			O RING, A/C Line, At Accumulator
-21	05072140AA	1	J, T			EK0			SEAL, A/C Line, At Accumulator
22	55037843AB	1				EK0			LINE, A/C Discharge
-23	05139487AA	2				EK0			O RING, A/C Line
24	05264638	1	J, T			EK0			VALVE, Charging
25	05264642	1				EK0			CAP, A/C Check Valve
26	05174039AB	1				EK0			VALVE, A/C pressure Transducer, Discharge Line
-27	05183358AA	1				EK0			O RING, A/C Line

<b>LIBERTY (KJ)</b>				
SERIES	LINE	BODY	ENGINE	TRANSMISSION
H = HIGHLINE	T = JEEP - 2WD	74 = SPORT UTILITY 4-DR	EKG = 3.7L V6 Engine	DG6 = 4-Spd. Automatic 42RLE
M = MEDIUM	J = JEEP - 4WD		ENR = 2.8L 4 Cyl Turbo Diesel Engine	Transmission
P = PREMIUM	U = JEEP - 4WD (RHD)		ENJ = 2.5L 4 Cyl 16V Turbo Diesel Engine	DGV = 4-Spd. Automatic VLP
			ED1 = 2.4L 4 Cyl DOHC 16v SMPI Engine	Transmission
				DGQ = 5-Spd Automatic 5-45RFE
				Transmission
				DEH = 6-Speed Manual NSG370
				Transmission
				DDD = 5-Speed HD Manual
				Transmission
				DDK = 5-Speed HD Manual
				Transmission

AR = use ase required - = Non illustrated part

**Plumbing,Air Conditioning 3.7L Engine, LHD**  
**Figure 24-285**

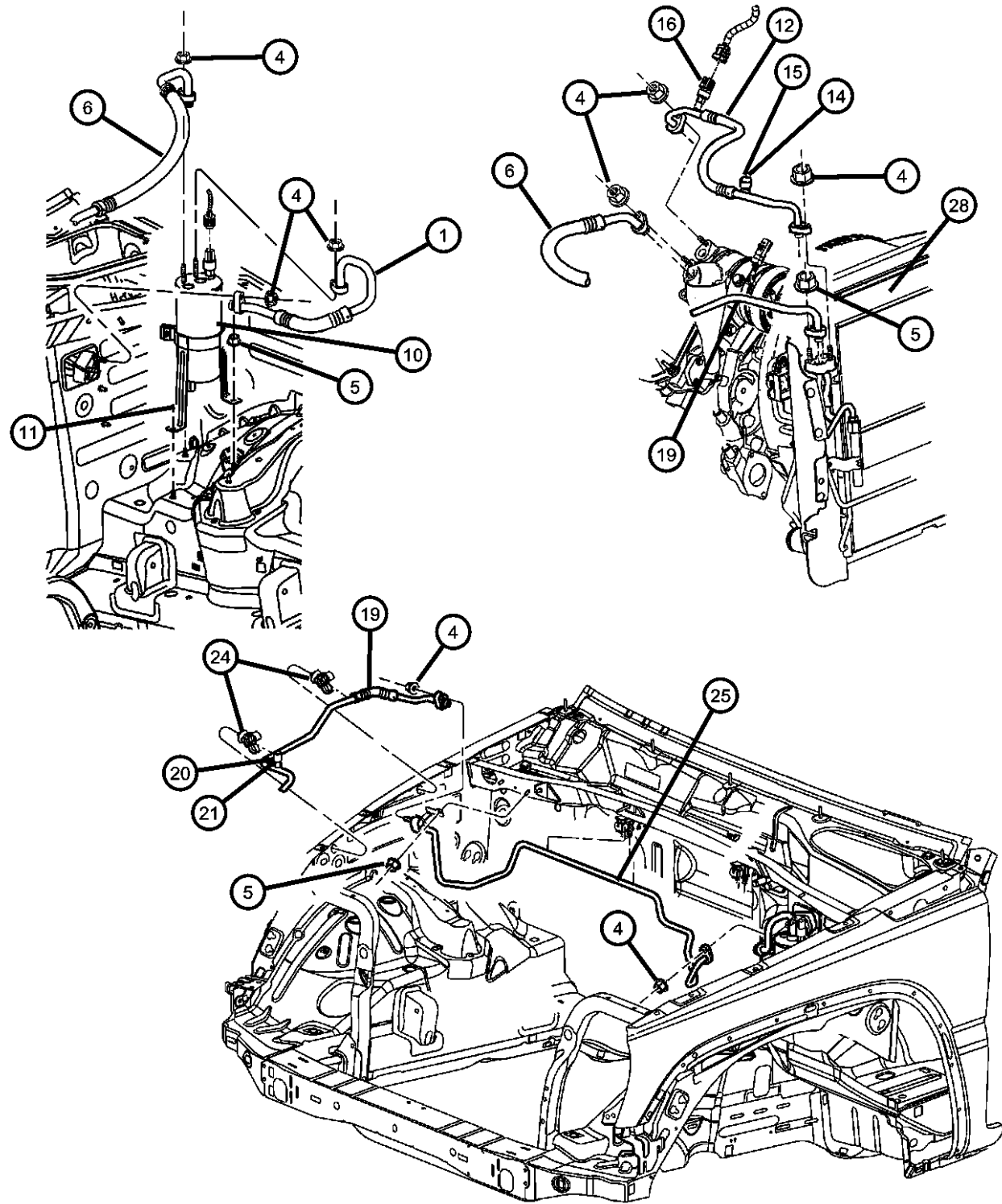


ITEM	PART NUMBER	QTY	LINE	SERIES	BODY	ENGINE	TRANS	TRIM	DESCRIPTION
-28	05174115AA	2				EK0			SEAL, A/C Line
29	05183560AA	1				EK0			CONDENSER, Air Conditioning
30	06101809	2				EK0			NUT AND WASHER, Hex, M8x1.25, Line to Compressor
-31									CLIP, A/C Quick Disconnect
	04596153	1	J, T						Suction Line
	04596152	1	J, T						Liquid Line

<b>LIBERTY (KJ)</b>				
SERIES	LINE	BODY	ENGINE	TRANSMISSION
H = HIGHLINE	T = JEEP - 2WD	74 = SPORT UTILITY 4-DR	EKG = 3.7L V6 Engine	DG6 = 4-Spd. Automatic 42RLE
M = MEDIUM	J = JEEP - 4WD		ENR = 2.8L 4 Cyl Turbo Diesel Engine	Transmission
P = PREMIUM	U = JEEP - 4WD (RHD)		ENJ = 2.5L 4 Cyl 16V Turbo Diesel Engine	DGV = 4-Spd. Automatic VLP
			ED1 = 2.4L 4 Cyl DOHC 16v SMPI Engine	Transmission
				DGQ = 5-Spd Automatic 5-45RFE
				Transmission
				DEH = 6-Speed Manual NSG370
				Transmission
				DDD = 5-Speed HD Manual
				Transmission
				DDK = 5-Speed HD Manual
				Transmission

AR = use ase required - = Non illustrated part

**Plumbing, Air Conditioning 3.7L Engine RHD**  
**Figure 24-288**



ITEM	PART NUMBER	QTY	LINE	SERIES	BODY	ENGINE	TRANS	TRIM	DESCRIPTION
Sales Codes									
[EK0]= All 3.7L, 6 Cylinder Gas Engines									
1	55037595AD	1	U						LINE, A/C Suction
-2	05072140AA	1	U			EK0			SEAL, A/C LineSuction Line
-3	05139486AA	2	U			EK0			O RING, A/C LineSuction Line
4	06506152AA	1	U						NUT AND CONED WASHER, Hex, M8x1.25
5	06101447	1	U						NUT AND WASHER, M6x1.00
6	55037845AA	1	U			EK0			LINE, A/C Suction
-7	05139486AA	2	U			EK0			O RING, A/C Line
-8	05183715AA	1	U			EK0			GASKET, A/C Line
-9	05072140AA	1	U			EK0			SEAL, A/C Line
10									ACCUMULATOR, Air Conditioning
	05072139AA	1	U						Without Switch and Bracket
	55037471AE	1	U						Includes: Switch and Bracket
11	55037764AC	1	J, T						BRACKET, Accumulator
12	55037843AB	1				EK0			LINE, A/C Discharge
-13	05139487AA	2	U			EK0			O RING, A/C Line
14	05264638	2				EK0			VALVE, Charging
15	05264642	1				EK0			CAP, A/C Check Valve
16	05174039AB	1				EK0			VALVE, A/C pressure Transducer
-17	05183358AA	1				EK0			O RING, A/C Line
-18	05174115AA	2	U			EK0			SEAL, A/C Line
19	55037810AE	1	U			EK0			LINE, A/C Liquid
20	04882335	1	U			EK0			CAP, A/C Check Valve
21	05101791AA	1	U			EK0			VALVE, Charging
-22	05139487AA	2	U			EK0			O RING, A/C Line
-23	05174115AA	2	U			EK0			SEAL, A/C Line
24	56021384	2							CLIP
25	55037811AD	1	U						LINE, A/C Liquid
-26	05139487AA	2	U			EK0			O RING, A/C Line

**LIBERTY (KJ)**

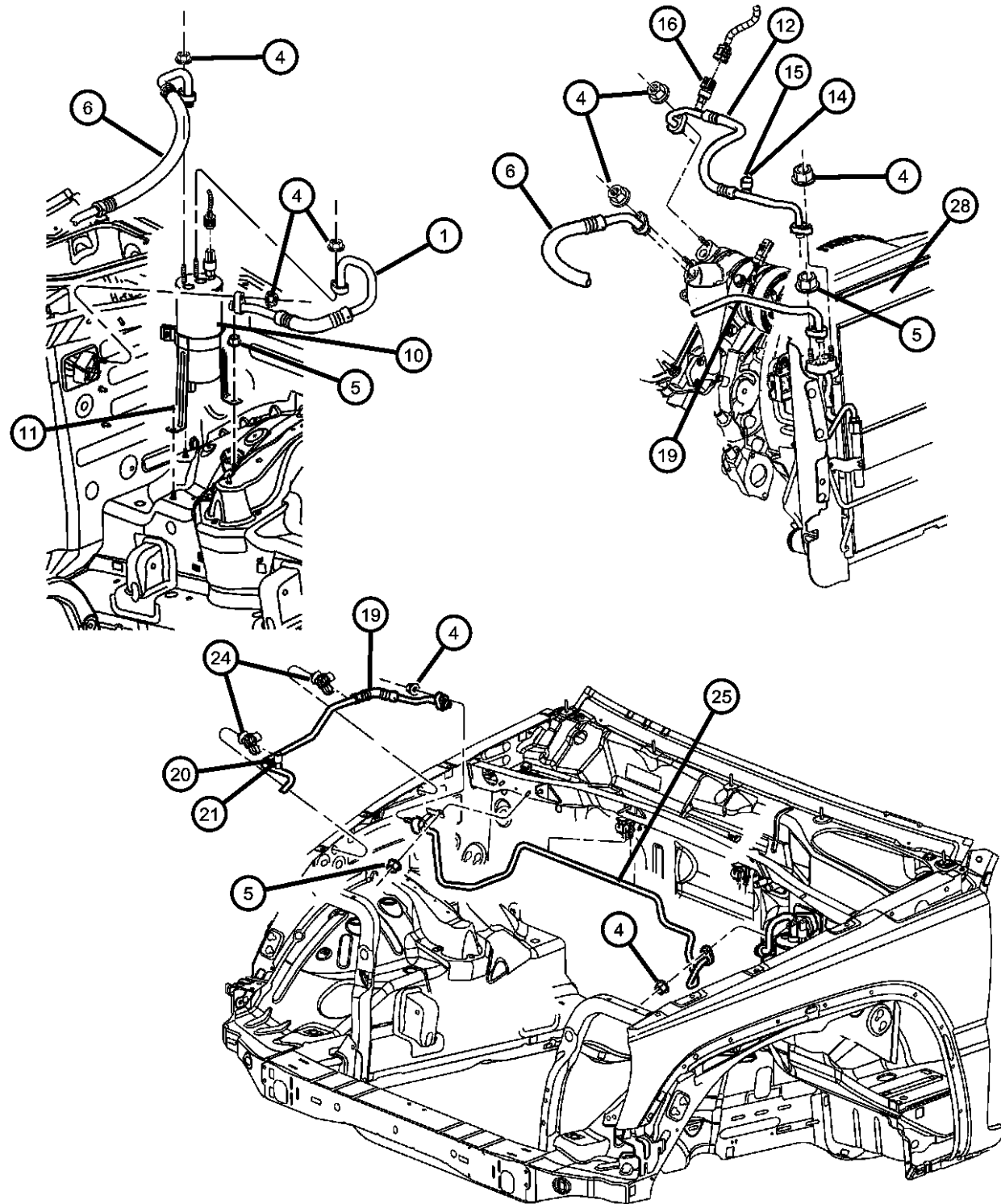
SERIES	LINE	BODY	ENGINE	TRANSMISSION
H = HIGHLINE	T = JEEP - 2WD	74 = SPORT UTILITY 4-DR	EKG = 3.7L V6 Engine	DG6 = 4-Spd. Automatic 42RLE
M = MEDIUM	J = JEEP - 4WD		ENR = 2.8L 4 Cyl Turbo Diesel Engine	Transmission
P = PREMIUM	U = JEEP - 4WD (RHD)		ENJ = 2.5L 4 Cyl 16V Turbo Diesel Engine	DGV = 4-Spd. Automatic VLP
			ED1 = 2.4L 4 Cyl DOHC 16v SMPI Engine	Transmission
				DGQ = 5-Spd Automatic 5-45RFE
				Transmission
				DEH = 6-Speed Manual NSG370
				Transmission
				DDD = 5-Speed HD Manual
				Transmission
				DDK = 5-Speed HD Manual
				Transmission

AR = use ase required - = Non illustrated part



Plumbing, Air Conditioning 3.7L Engine RHD  
Figure 24-288

ITEM	PART NUMBER	QTY	LINE	SERIES	BODY	ENGINE	TRANS	TRIM	DESCRIPTION
------	-------------	-----	------	--------	------	--------	-------	------	-------------



-27	05103428AA	2	U						GASKET, A/C Line
28	05183560AA	1				EK0			CONDENSER, Air Conditioning

LIBERTY (KJ)

SERIES

H = HIGHLINE  
M = MEDIUM  
P = PREMIUM

LINE

T = JEEP - 2WD  
J = JEEP - 4WD  
U = JEEP - 4WD (RHD)

BODY

74 = SPORT UTILITY 4-DR

ENGINE

EKG = 3.7L V6 Engine  
ENR = 2.8L 4 Cyl Turbo Diesel Engine  
ENJ = 2.5L 4 Cyl 16V Turbo Diesel Engine  
ED1 = 2.4L 4 Cyl DOHC 16v SMPI Engine

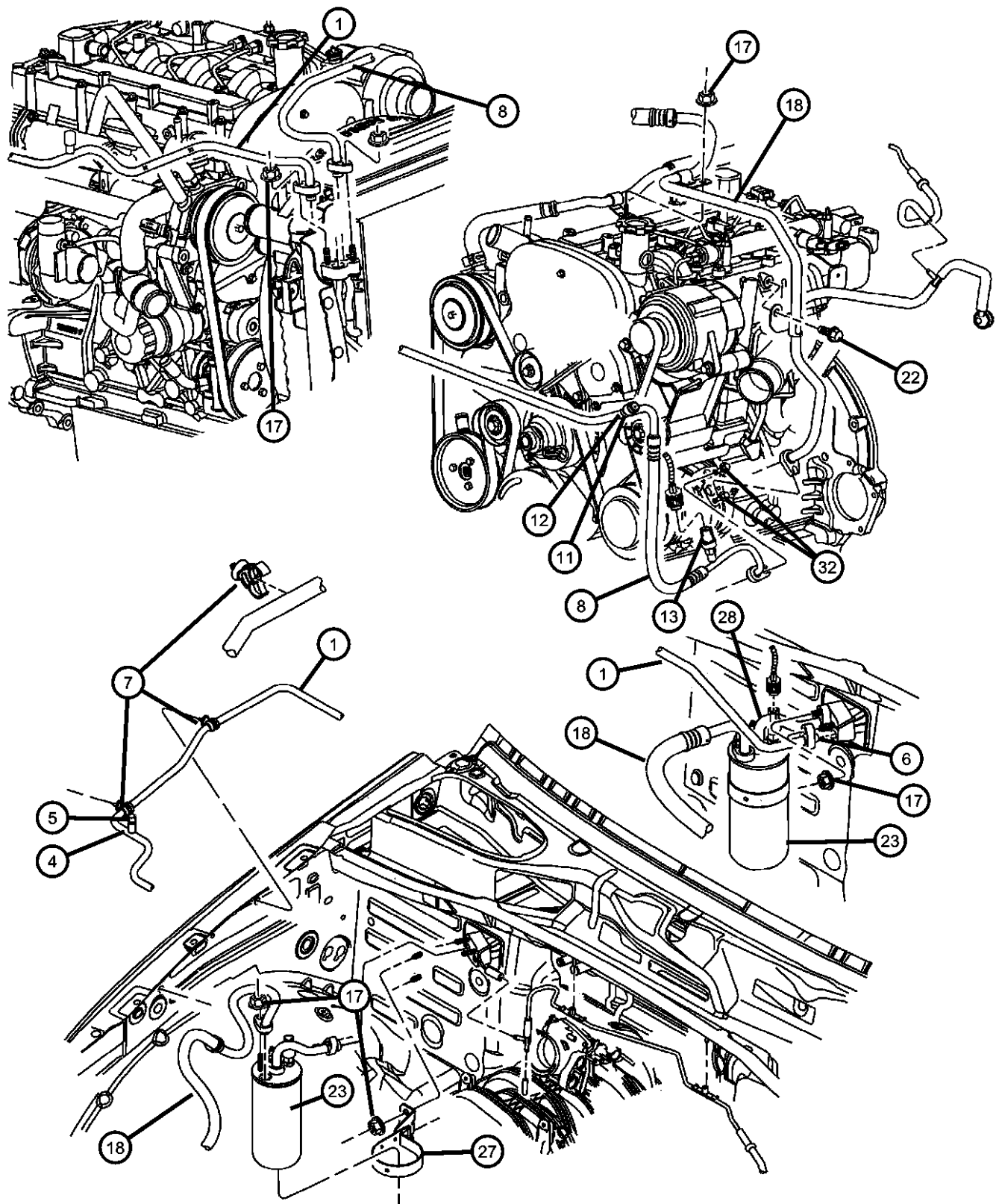
TRANSMISSION

DG6 = 4-Spd. Automatic 42RLE Transmission  
DGV = 4-Spd. Automatic VLP Transmission  
DGQ = 5-Spd Automatic 5-45RFE Transmission  
DEH = 6-Speed Manual NSG370 Transmission  
DDD = 5-Speed HD Manual Transmission  
DDK = 5-Speed HD Manual Transmission

AR = use ase required - = Non illustrated part

2006 KJ

Plumbing, Air Conditioning 2.8L Diesel Engine, LHD  
Figure 24-290

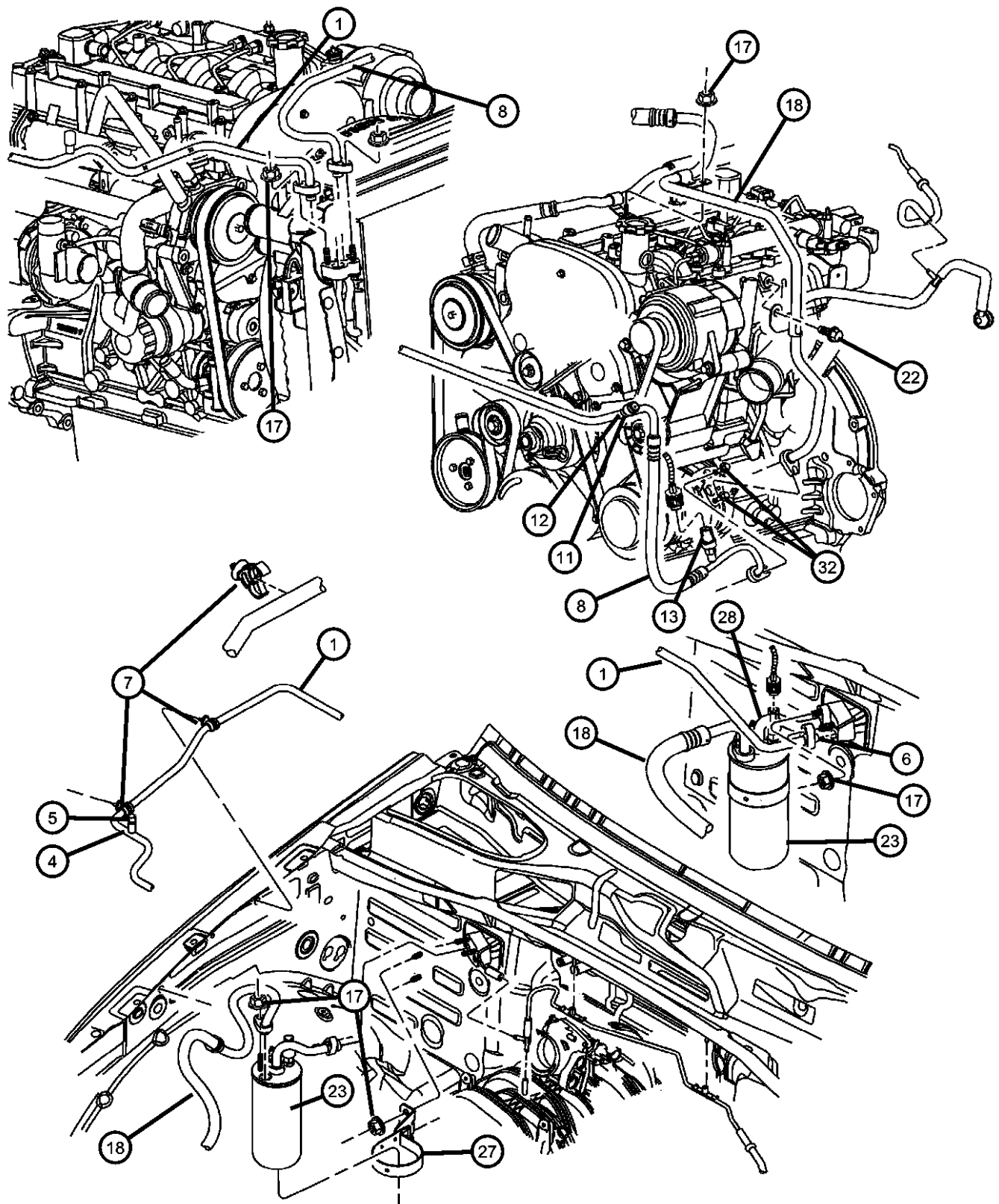


ITEM	PART NUMBER	QTY	LINE	SERIES	BODY	ENGINE	TRANS	TRIM	DESCRIPTION
1	55037817AF	1	J, T			ENO			LINE, A/C Liquid
-2	05174115AA	1	J, T			ENO			SEAL, A/C Line, Liquid Line to Condenser
-3	05139487AA	1	J, T			ENO			O RING, A/C Line, Liquid Line to Condenser
4	05101791AA	1	J, T			ENO			VALVE, Charging
5	04882335	1	J, T			ENO			CAP, A/C Check Valve
6	05183657AA	1	J, T			ENO			O RING KIT, Quick Connect, Liquid Line to Evaporator
7	56021384	1				ENO			CLIP Liquid Line Attaching
8	55037818AC	1				ENO			LINE, A/C Discharge
-9	05139487AA	1	J, T			ENO			O RING, A/C Line, 1/2 inch - Red, Discharge Line to Condenser
-10	05174115AA	1	J, T			ENO			SEAL, A/C Line, Discharge Line to Condenser
11	04723029	1				ENO			VALVE, Check
12	05264642	1				ENO			CAP, A/C Check Valve
13	05174039AB	1				ENO			VALVE, A/C pressure Transducer
-14	05183358AA	1				ENO			O RING, A/C Line Valve
-15	05139487AA	1	J, T			ENO			O RING, A/C Line, Discharge Line to Compressor
-16	05174115AA	1	J, T			ENO			SEAL, A/C Line, Discharge Line to Compressor
17	06506152AA	2	J, T						NUT AND CONED WASHER, Hex, M8x1.25
18	55037737AD	1	J, T			ENO			LINE, A/C Suction
-19	05139486AA	1	J, T			ENO			O RING, A/C Line, 5/8 inch - Red, Suction Line to Compressor
-20	05072140AA	1	J, T			ENO			SEAL, A/C Line, Suction Line to Accumulator
-21	05139486AA	1	J, T			ENO			O RING, A/C Line, Suction Line to Accumulator
22	06501474	1	J, U		74				BOLT, Hex Head, M8x1.25x16
23	05189452AA	1	J, T			ENO			ACCUMULATOR, Suction Line, Includes Valve and Switch
-24	05264638	1	J, T			ENO			VALVE, Charging
-25	05170126AA	1	J, T			ENO			SWITCH, A/C Cycling

<b>LIBERTY (KJ)</b>		<b>BODY</b>		<b>ENGINE</b>		<b>TRANSMISSION</b>	
SERIES	LINE	74 = SPORT UTILITY 4-DR	EKG = 3.7L V6 Engine	DG6 = 4-Spd. Automatic 42RLE			
H = HIGHLINE	T = JEEP - 2WD		ENR = 2.8L 4 Cyl Turbo Diesel Engine	DGV = 4-Spd. Automatic VLP			
M = MEDIUM	J = JEEP - 4WD		ENJ = 2.5L 4 Cyl 16V Turbo Diesel Engine	DGQ = 5-Spd Automatic 5-45RFE			
P = PREMIUM	U = JEEP - 4WD (RHD)		ED1 = 2.4L 4 Cyl DOHC 16v SMPI Engine	DEH = 6-Speed Manual NSG370			
				DDD = 5-Speed HD Manual			
				DDK = 5-Speed HD Manual			
				Transmission			

AR = use ase required - = Non illustrated part

**Plumbing, Air Conditioning 2.8L Diesel Engine, LHD**  
**Figure 24-290**



ITEM	PART NUMBER	QTY	LINE	SERIES	BODY	ENGINE	TRANS	TRIM	DESCRIPTION
-26	05012348AA	1	J, T			EN0			O RING, A/C Suction Line, Cycling Switch
27	55037764AC	1	J, T						BRACKET, Accumulator
28	05189744AA	1	J, T			EN0			LINE, A/C Suction
-29	05139486AA	1	J, T			EN0			O RING, A/C Line, Suction Line to Accumulator
-30	05072140AA	1	J, T			EN0			SEAL, A/C Line, Suction Line to Accumulator
-31	05183716AA	1	J, T			EN0			O RING KIT, Quick Connect, Suction Line to Evaporator
32	06508373AA	2				EN0			BOLT, Hex Flange Head, M6x1.00x22.00Line Mounting
-33	05183560AA	1				EN0			CONDENSER, Air Conditioning
-34	05183561AA	1				EN0			CONDENSER, Condenser and TOC

**LIBERTY (KJ)**  
 SERIES                      LINE  
 H = HIGHLINE              T = JEEP - 2WD  
 M = MEDIUM                J = JEEP - 4WD  
 P = PREMIUM                U = JEEP - 4WD (RHD)

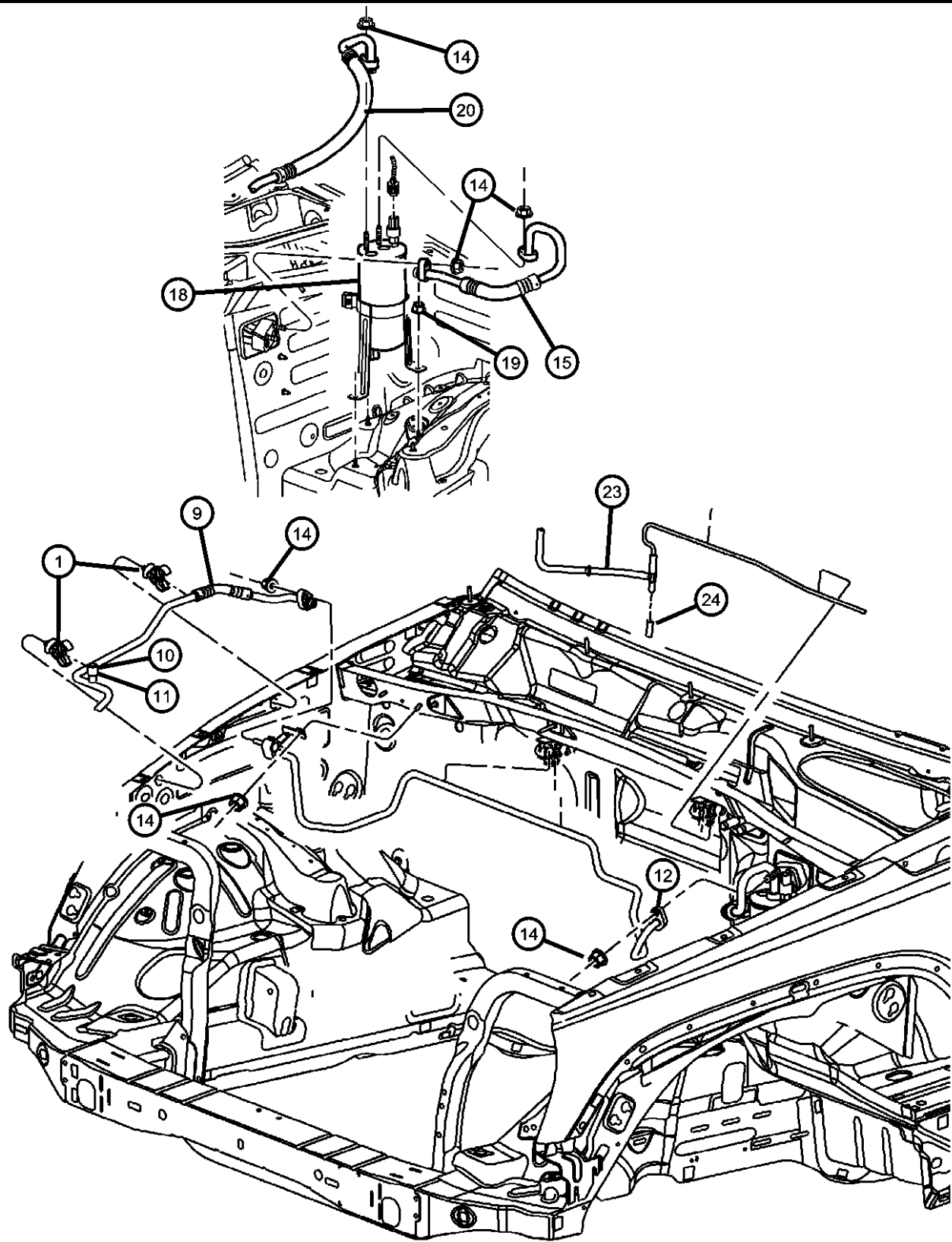
**BODY**  
 74 = SPORT UTILITY 4-DR

**ENGINE**  
 EKG = 3.7L V6 Engine  
 ENR = 2.8L 4 Cyl Turbo Diesel Engine  
 ENJ = 2.5L 4 Cyl 16V Turbo Diesel Engine  
 ED1 = 2.4L 4 Cyl DOHC 16v SMPI Engine

**TRANSMISSION**  
 DG6 = 4-Spd. Automatic 42RLE Transmission  
 DGV = 4-Spd. Automatic VLP Transmission  
 DGQ = 5-Spd Automatic 5-45RFE Transmission  
 DEH = 6-Speed Manual NSG370 Transmission  
 DDD = 5-Speed HD Manual Transmission  
 DDK = 5-Speed HD Manual Transmission

AR = use ase required - = Non illustrated part

**Plumbing, Air Conditioning 2.8L Diesel Engine, RHD**  
**Figure 24-295**



ITEM	PART NUMBER	QTY	LINE	SERIES	BODY	ENGINE	TRANS	TRIM	DESCRIPTION
1	56021384	2							CLIP Liquid Line Attaching
-2	55037818AC	1				EN0			LINE, A/C Discharge, Compressor to Condenser
-3	04723029	1				EN0			VALVE, Check
-4	05264642	1				EN0			CAP, A/C Check Valve
-5	05174039AB	1				EN0			VALVE, A/C pressure Transducer
-6	05183358AA	1				EN0			O RING, A/C Line Valve
-7	05139487AA	2	U			EN0			O RING, A/C Line, Compressor or Condenser End
-8	05174115AA	2	U			EN0			SEAL, A/C Line, Compressor or Condenser End
9	55037835AC	1	U			EN0			LINE, A/C Liquid
10	04882335	1	U			EN0			CAP, A/C Check Valve
11	05101791AA	1	U			EN0			VALVE, Charging
12	05139487AA	2	U			EN0			O RING, A/C Line
-13	05174115AA	2	U			EN0			SEAL, A/C Line
14	06506152AA	3				EN0			NUT AND CONED WASHER, Hex, M8x1.25
15	55037595AD	1	U						LINE, A/C Suction
-16	05072140AA	1	J, T			EN0			SEAL, A/C Line
-17	05139486AA	1	J, T			EN0			O RING, A/C Line
18	55037471AD	1	U						ACCUMULATOR, Air Conditioning
19	06101447	1	U						NUT AND WASHER, M6x1.00
20	55037806AC	1	U			EN0			LINE, A/C Suction
-21	05072140AA	1	J, T			EN0			SEAL, A/C Line
-22	05139486AA	1	J, T			EN0			O RING, A/C Line
23	55038433AE	1	U						HOSE AND VALVE, Vacuum
24	03580172	1							CAP, Vacuum
-25	05183560AA	1				EN0			CONDENSER, Air Conditioning

**LIBERTY (KJ)**

SERIES      LINE  
H = HIGHLINE    T = JEEP - 2WD  
M = MEDIUM     J = JEEP - 4WD  
P = PREMIUM    U = JEEP - 4WD (RHD)

BODY  
74 = SPORT UTILITY 4-DR

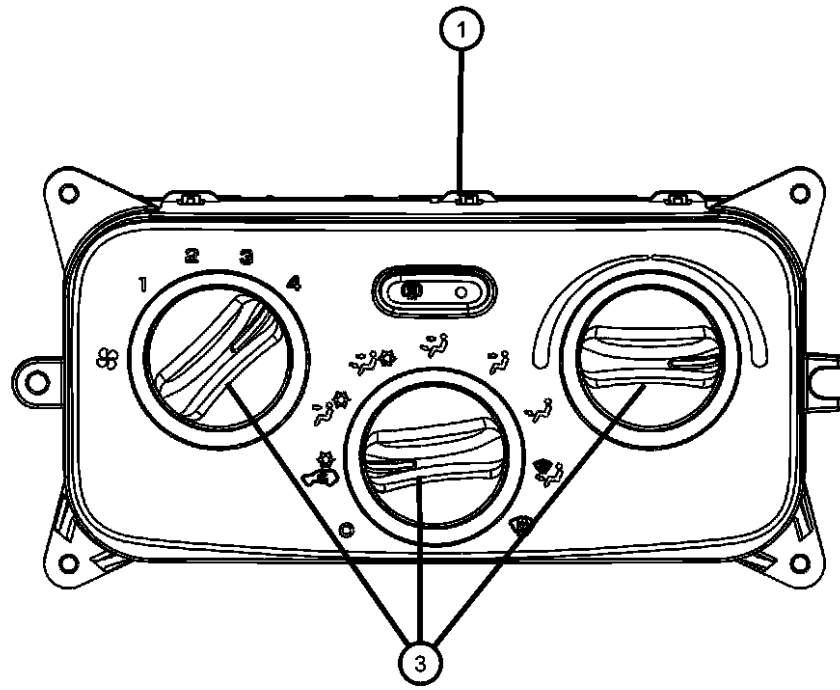
ENGINE  
EKG = 3.7L V6 Engine  
ENR = 2.8L 4 Cyl Turbo Diesel Engine  
ENJ = 2.5L 4 Cyl 16V Turbo Diesel Engine  
ED1 = 2.4L 4 Cyl DOHC 16v SMPI Engine

TRANSMISSION  
DG6 = 4-Spd. Automatic 42RLE Transmission  
DGV = 4-Spd. Automatic VLP Transmission  
DGQ = 5-Spd Automatic 5-45RFE Transmission  
DEH = 6-Speed Manual NSG370 Transmission  
DDD = 5-Speed HD Manual Transmission  
DDK = 5-Speed HD Manual Transmission

AR = use ase required - = Non illustrated part

**Control, Heater and Air Conditioning  
Figure 24-310**

ITEM	PART NUMBER	QTY	LINE	SERIES	BODY	ENGINE	TRANS	TRIM	DESCRIPTION
1	55037533AG	1							CONTROL, A/C And Heater, with Air Conditioning
-2	55037531AD	1							CONTROL, Heater, without Air Conditioning
3	05069169AA	1							KNOB, A/C And Heater Control - Rotary
-4	05069170AA	1							BULB, Heater and A/C Control



**LIBERTY (KJ)**

SERIES	LINE
H = HIGHLINE	T = JEEP - 2WD
M = MEDIUM	J = JEEP - 4WD
P = PREMIUM	U = JEEP - 4WD (RHD)

BODY  
74 = SPORT UTILITY 4-DR

ENGINE	TRANSMISSION
EKG = 3.7L V6 Engine	DG6 = 4-Spd. Automatic 42RLE
ENR = 2.8L 4 Cyl Turbo Diesel Engine	DGV = 4-Spd. Automatic VLP
ENJ = 2.5L 4 Cyl 16V Turbo Diesel Engine	DGQ = 5-Spd Automatic 5-45RFE
ED1 = 2.4L 4 Cyl DOHC 16v SMPI Engine	DEH = 6-Speed Manual NSG370
	DDD = 5-Speed HD Manual
	DDK = 5-Speed HD Manual

AR = use ase required - = Non illustrated part

2006 KJ

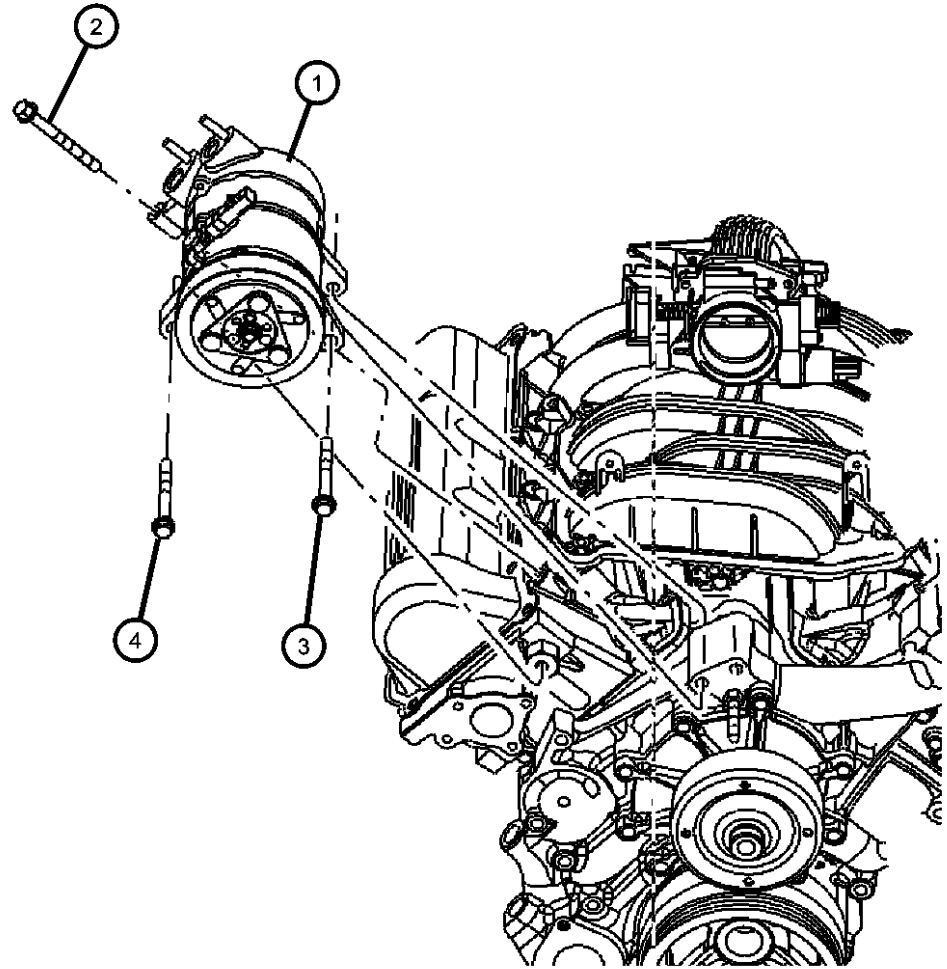
**Compressor, 3.7L Engine  
Figure 24-410**

ITEM	PART NUMBER	QTY	LINE	SERIES	BODY	ENGINE	TRANS	TRIM	DESCRIPTION
------	-------------	-----	------	--------	------	--------	-------	------	-------------

Sales Code:  
[EK0] = All 3.7L Engines

[EK0]= All 3.7L, 6 Cylinder Gas Engines

1	55111400AA	1				EK0			COMPRESSOR, Air Conditioning
2	06505482AA	1				EK0			SCREW AND WASHER, Hex Head, M8x1.25x50
3	06504344	1				EK0			SCREW AND WASHER, Hex Head
4	06505487AA	1				EK0			SCREW AND WASHER, M10x1.5x45



**LIBERTY (KJ)**

SERIES	LINE
H = HIGHLINE	T = JEEP - 2WD
M = MEDIUM	J = JEEP - 4WD
P = PREMIUM	U = JEEP - 4WD (RHD)

BODY  
74 = SPORT UTILITY 4-DR

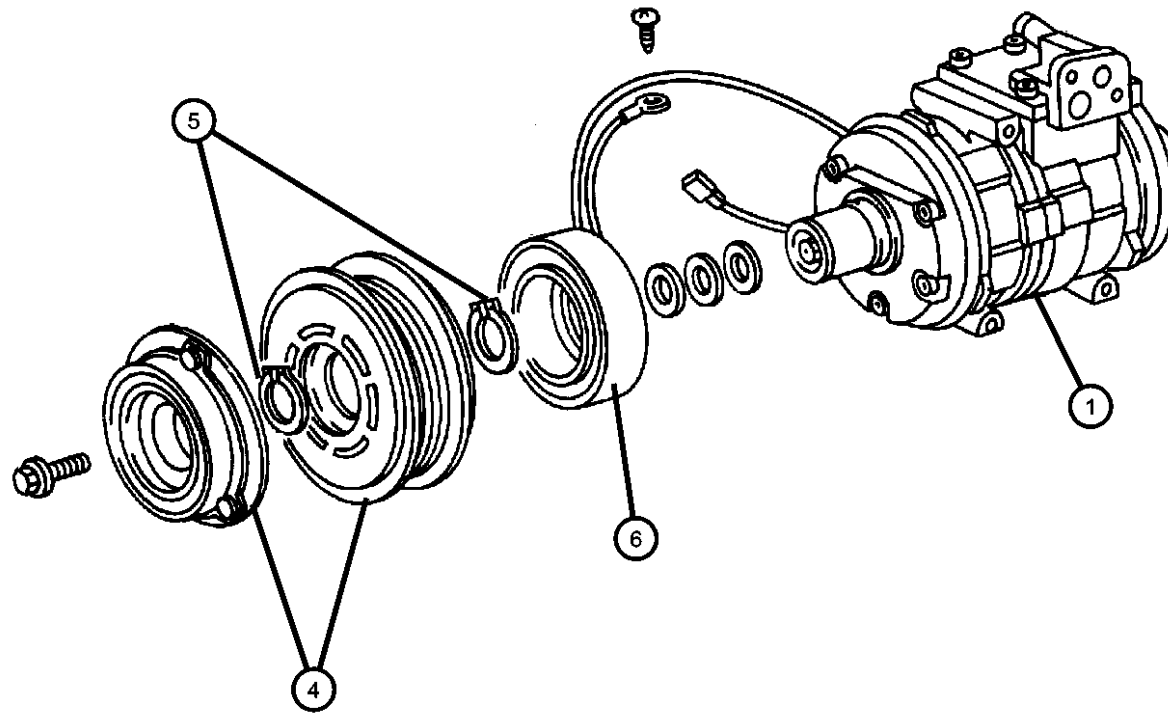
ENGINE	TRANSMISSION
EKG = 3.7L V6 Engine	DG6 = 4-Spd. Automatic 42RLE
ENR = 2.8L 4 Cyl Turbo Diesel Engine	Transmission
ENJ = 2.5L 4 Cyl 16V Turbo Diesel Engine	DGV = 4-Spd. Automatic VLP
ED1 = 2.4L 4 Cyl DOHC 16v SMPI Engine	Transmission
	DGQ = 5-Spd Automatic 5-45RFE
	Transmission
	DEH = 6-Speed Manual NSG370
	Transmission
	DDD = 5-Speed HD Manual
	Transmission
	DDK = 5-Speed HD Manual
	Transmission

AR = use ase required - = Non illustrated part

2006 KJ

**Compressor, 2.8L Diesel Engine  
Figure 24-430**

ITEM	PART NUMBER	QTY	LINE	SERIES	BODY	ENGINE	TRANS	TRIM	DESCRIPTION
1	55037467AC	1				EN0			COMPRESSOR, Air Conditioning, With Clutch
-2	06508373AA	2				EN0			BOLT, Hex Flange Head, M6x1.00x22.00, Line to Compressor
-3	05066228AA	1				EN0			CLUTCH OVERHAUL KIT, A/C Compressor
4	05072864AA	1				EN0			PULLEY, A/C Compressor
5	05264454	1				EN0			SNAP RING KIT, A/C Clutch
6	05003681AA	1				EN0			COIL, Air Conditioning Clutch
-7	82300102	1				EN0			LUBRICANT, A/C Compressor



**LIBERTY (KJ)**

SERIES      LINE  
H = HIGHLINE    T = JEEP - 2WD  
M = MEDIUM     J = JEEP - 4WD  
P = PREMIUM     U = JEEP - 4WD (RHD)

BODY  
74 = SPORT UTILITY 4-DR

ENGINE      TRANSMISSION  
EKG = 3.7L V6 Engine      DG6 = 4-Spd. Automatic 42RLE  
ENR = 2.8L 4 Cyl Turbo Diesel Engine      DGV = 4-Spd. Automatic VLP  
ENJ = 2.5L 4 Cyl 16V Turbo Diesel Engine      DGQ = 5-Spd Automatic 5-45RFE  
ED1 = 2.4L 4 Cyl DOHC 16v SMPI Engine      DEH = 6-Speed Manual NSG370  
Transmission  
DDD = 5-Speed HD Manual Transmission  
DDK = 5-Speed HD Manual Transmission

AR = use ase required - = Non illustrated part

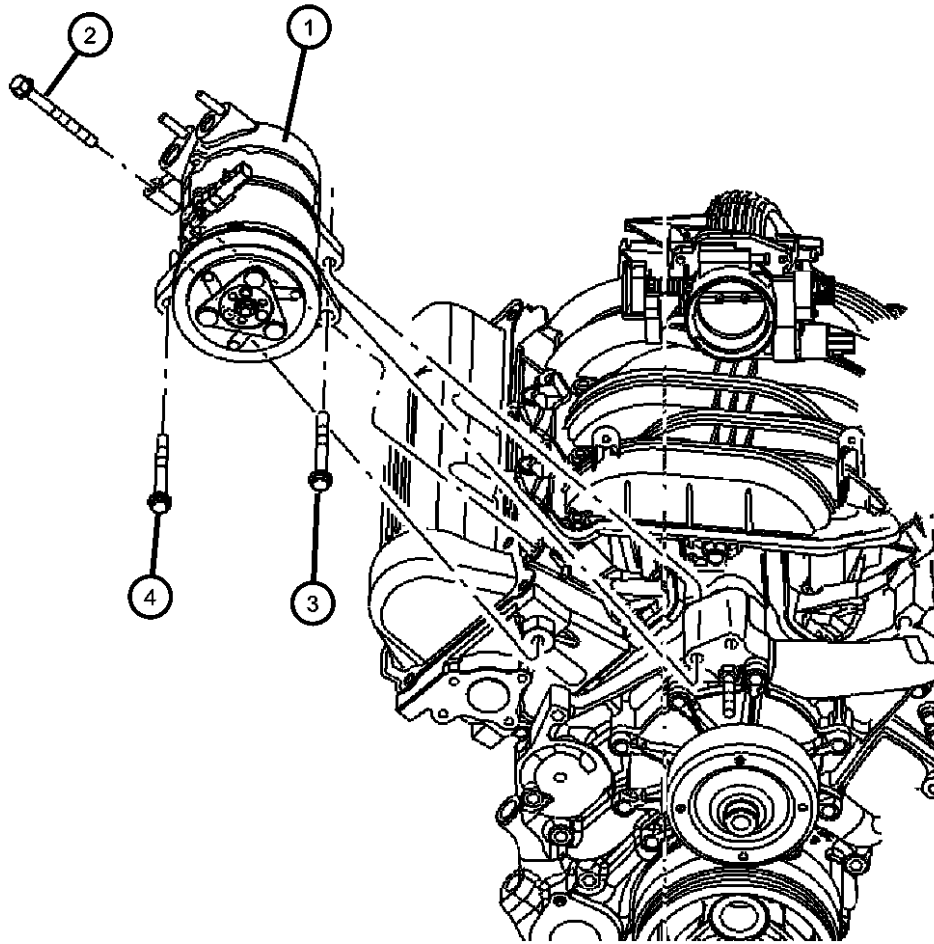
2006 KJ

**Compressor Mounting, 3.7L Engine  
Figure 24-510**

ITEM	PART NUMBER	QTY	LINE	SERIES	BODY	ENGINE	TRANS	TRIM	DESCRIPTION
------	-------------	-----	------	--------	------	--------	-------	------	-------------

Sales Code:  
[EK0] = All 3.7L, 6 Cylinder Gas Engines

1	55111400AA	1				EK0			COMPRESSOR, Air Conditioning
2	06505482AA	1				EK0			SCREW AND WASHER, Hex Head, M8x1.25x50
3	06504344	1				EK0			SCREW AND WASHER, Hex Head
4	06505487AA	1				EK0			SCREW AND WASHER, M10x1.5x45



**LIBERTY (KJ)**

SERIES	LINE
H = HIGHLINE	T = JEEP - 2WD
M = MEDIUM	J = JEEP - 4WD
P = PREMIUM	U = JEEP - 4WD (RHD)

BODY
74 = SPORT UTILITY 4-DR

ENGINE	TRANSMISSION
EKG = 3.7L V6 Engine	DG6 = 4-Spd. Automatic 42RLE
ENR = 2.8L 4 Cyl Turbo Diesel Engine	Transmission
ENJ = 2.5L 4 Cyl 16V Turbo Diesel Engine	DGV = 4-Spd. Automatic VLP
ED1 = 2.4L 4 Cyl DOHC 16v SMPI Engine	Transmission
	DGQ = 5-Spd Automatic 5-45RFE
	Transmission
	DEH = 6-Speed Manual NSG370
	Transmission
	DDD = 5-Speed HD Manual
	Transmission
	DDK = 5-Speed HD Manual
	Transmission

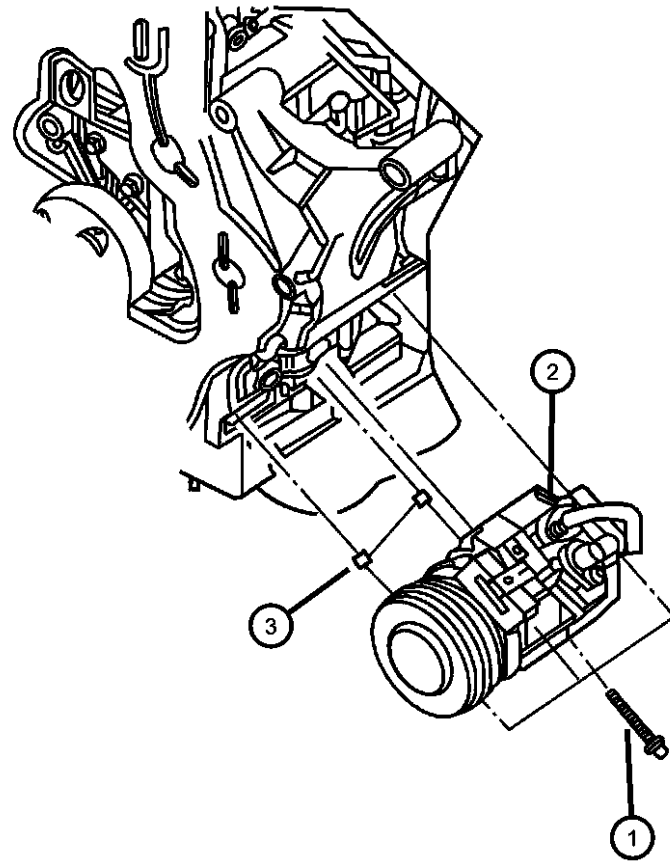
AR = use ase required - = Non illustrated part

2006 KJ



**Compressor Mounting, 2.8L Diesel Engine  
Figure 24-530**

ITEM	PART NUMBER	QTY	LINE	SERIES	BODY	ENGINE	TRANS	TRIM	DESCRIPTION
1	04897253AB	4				EN0			BOLT, Hex Flange Head, M10x35
2	05093940AA	1				EN0			COMPRESSOR, Air Conditioning Without Clutch
	55037467AC	1				EN0			With Clutch
3	05066930AA	1				EN0			PIN



**LIBERTY (KJ)**

SERIES	LINE
H = HIGHLINE	T = JEEP - 2WD
M = MEDIUM	J = JEEP - 4WD
P = PREMIUM	U = JEEP - 4WD (RHD)

BODY  
74 = SPORT UTILITY 4-DR

ENGINE	TRANSMISSION
EKG = 3.7L V6 Engine	DG6 = 4-Spd. Automatic 42RLE
ENR = 2.8L 4 Cyl Turbo Diesel Engine	Transmission
ENJ = 2.5L 4 Cyl 16V Turbo Diesel Engine	DGV = 4-Spd. Automatic VLP
ED1 = 2.4L 4 Cyl DOHC 16v SMPI Engine	DGQ = 5-Spd Automatic 5-45RFE
	Transmission
	DEH = 6-Speed Manual NSG370
	Transmission
	DDD = 5-Speed HD Manual
	Transmission
	DDK = 5-Speed HD Manual
	Transmission

AR = use ase required - = Non illustrated part

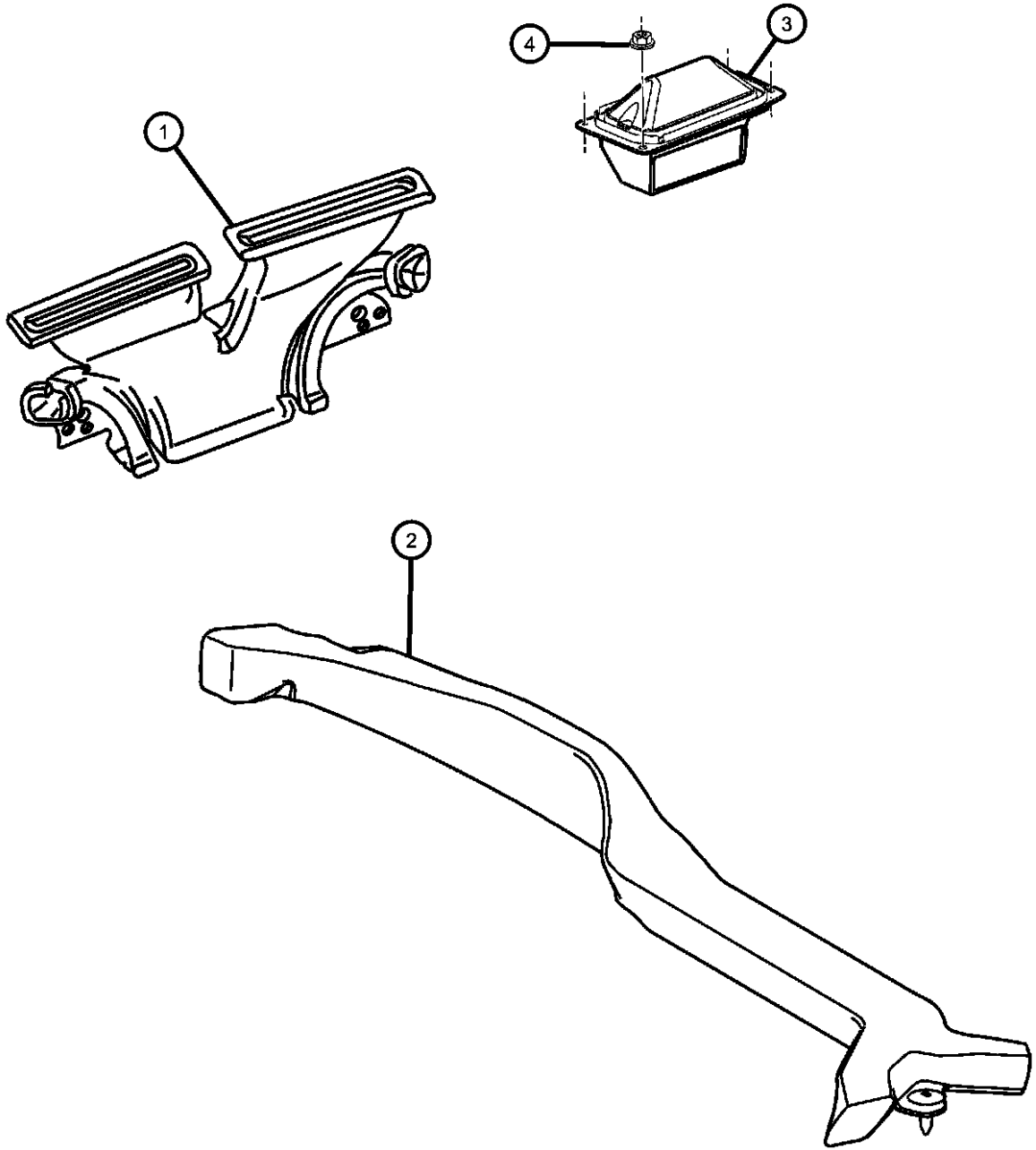
**Air Distribution Ducts**

**Figure 24-610**

ITEM	PART NUMBER	QTY	LINE	SERIES	BODY	ENGINE	TRANS	TRIM	DESCRIPTION
------	-------------	-----	------	--------	------	--------	-------	------	-------------

Sales Codes:  
 [DBB] = All Manual Transmissions  
 [DG0] = All Automatic Transmissions

1	55037535AB	1	U						DUCT, Defroster
	55037448AB	1	J, T						
2	55037480AB	1							DUCT, Rear Floor Heat
	55037562AB	1							[DG0]
									[DBB]
3	55037522AA	1	J, T						BAFFLE, Air Inlet
	55037523AA	1	U						
4	55037523AA	1							NUT, (NOT SERVICED)



<b>LIBERTY (KJ)</b>				
SERIES	LINE	BODY	ENGINE	TRANSMISSION
H = HIGHLINE	T = JEEP - 2WD	74 = SPORT UTILITY 4-DR	EKG = 3.7L V6 Engine	DG6 = 4-Spd. Automatic 42RLE
M = MEDIUM	J = JEEP - 4WD		ENR = 2.8L 4 Cyl Turbo Diesel Engine	Transmission
P = PREMIUM	U = JEEP - 4WD (RHD)		ENJ = 2.5L 4 Cyl 16V Turbo Diesel Engine	DGV = 4-Spd. Automatic VLP
			ED1 = 2.4L 4 Cyl DOHC 16v SMPI Engine	Transmission
				DGQ = 5-Spd Automatic 5-45RFE
				Transmission
				DEH = 6-Speed Manual NSG370
				Transmission
				DDD = 5-Speed HD Manual
				Transmission
				DDK = 5-Speed HD Manual
				Transmission

AR = use ase required - = Non illustrated part

# Group - 25

## Emission Systems

### Group - 25 Emission Systems

Illustration Title

Group-Fig. No.

#### EGR System

EGR System 2.8L [EN0] .....Fig. 25 - 210

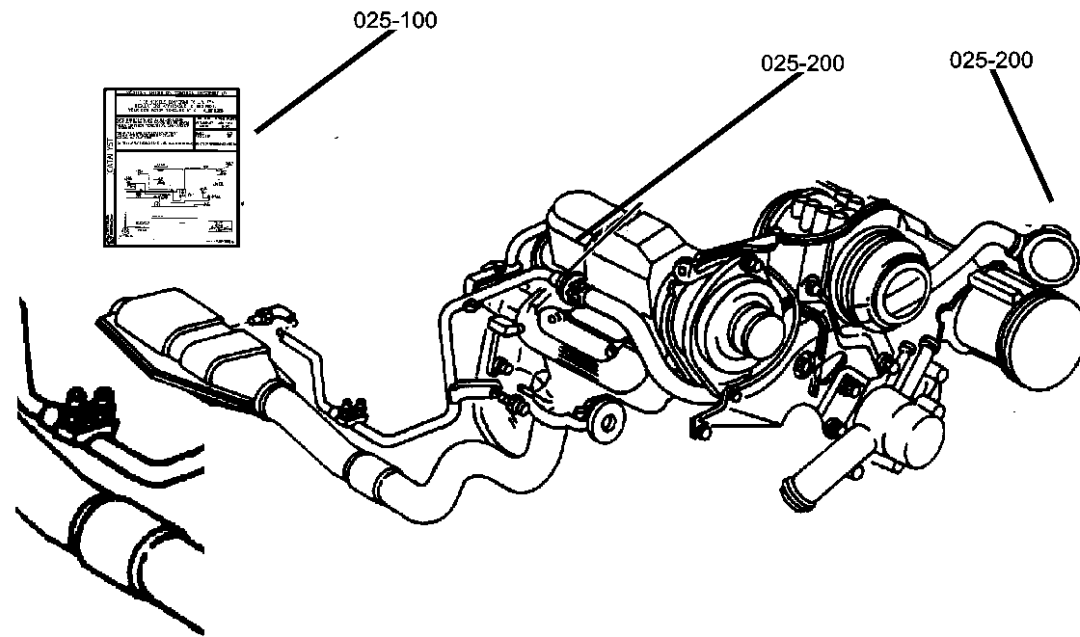
#### Vacuum Canister

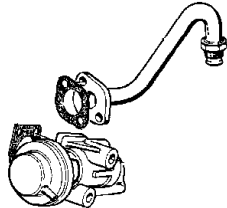

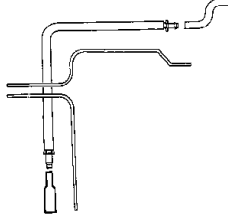
Vapor Canister.....Fig. 25 - 310

#### Emission Harness

Emission Vacuum Harness 3.7L [EK0] .....Fig. 25 - 420

Leak Detection Pump 3.7L [EK0] .....Fig. 25 - 430

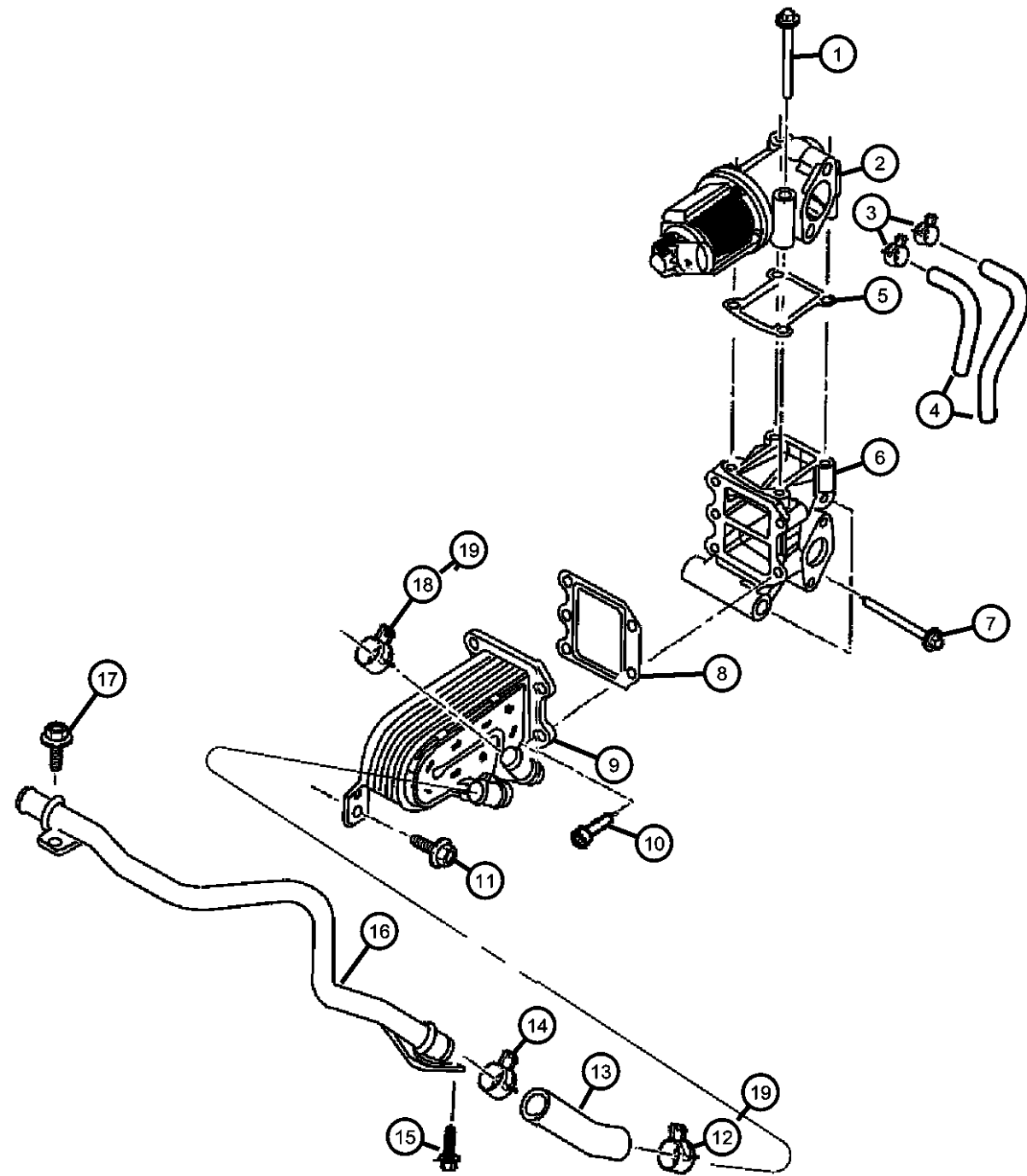


<p><b>025-200</b> EGR System</p> 	<p><b>025-300</b> Vacuum Canister</p> 	<p><b>025-400</b> Emission Harness</p> 	
--	---	---	--

**EGR System 2.8L [EN0]  
Figure 25-210**

ITEM	PART NUMBER	QTY	LINE	SERIES	BODY	ENGINE	TRANS	TRIM	DESCRIPTION
------	-------------	-----	------	--------	------	--------	-------	------	-------------

Note; Sales Codes  
[DBB]= All Manual Transmissions  
[EN0]= All 4/5 Cylinder Turbo Diesels



1									BOLT
	05142804AA	4				EN0	DG0		
		4				EN0	DBB		
2									VALVE, EGR
	05166555AB	1				EN0	DG0		Export
		1				EN0	DBB		
		1				EN0	DG0		
3	05003552AB	1				EN0	DG0		CLAMP, Oil Separator Hose
4									HOSE
	05170053AA	1				EN0	DG0		INLET WATER HOSE TO EGR
	05170054AA	1				EN0	DG0		WATER RETURN FROM EGR VALVE
5									GASKET, EGR Valve
	05142815AA	1				EN0	DBB		
		1	J, T, U		74	EN0	DG0		
6									EGR KIT, Valve And Cooler
	05142812AB	1				EN0	DG0		Canada, US
		1				EN0	DBB		Canada, US
7									BOLT
	05003945AA	3				EN0	DG0		
		3				EN0	DBB		
8									GASKET, EGR Cooler
	05142617AA	1				EN0	DG0		
		1				EN0	DBB		
9									COOLER, EGR
	05170789AA	1				EN0	DBB		
		1				EN0	DG0		
10									SCREW

**LIBERTY (KJ)**

SERIES      LINE  
H = HIGHLINE    T = JEEP - 2WD  
M = MEDIUM     J = JEEP - 4WD  
P = PREMIUM    U = JEEP - 4WD (RHD)

BODY  
74 = SPORT UTILITY 4-DR

ENGINE  
EKG = 3.7L V6 Engine  
ENR = 2.8L 4 Cyl Turbo Diesel Engine  
ENJ = 2.5L 4 Cyl 16V Turbo Diesel Engine  
ED1 = 2.4L 4 Cyl DOHC 16v SMPI Engine

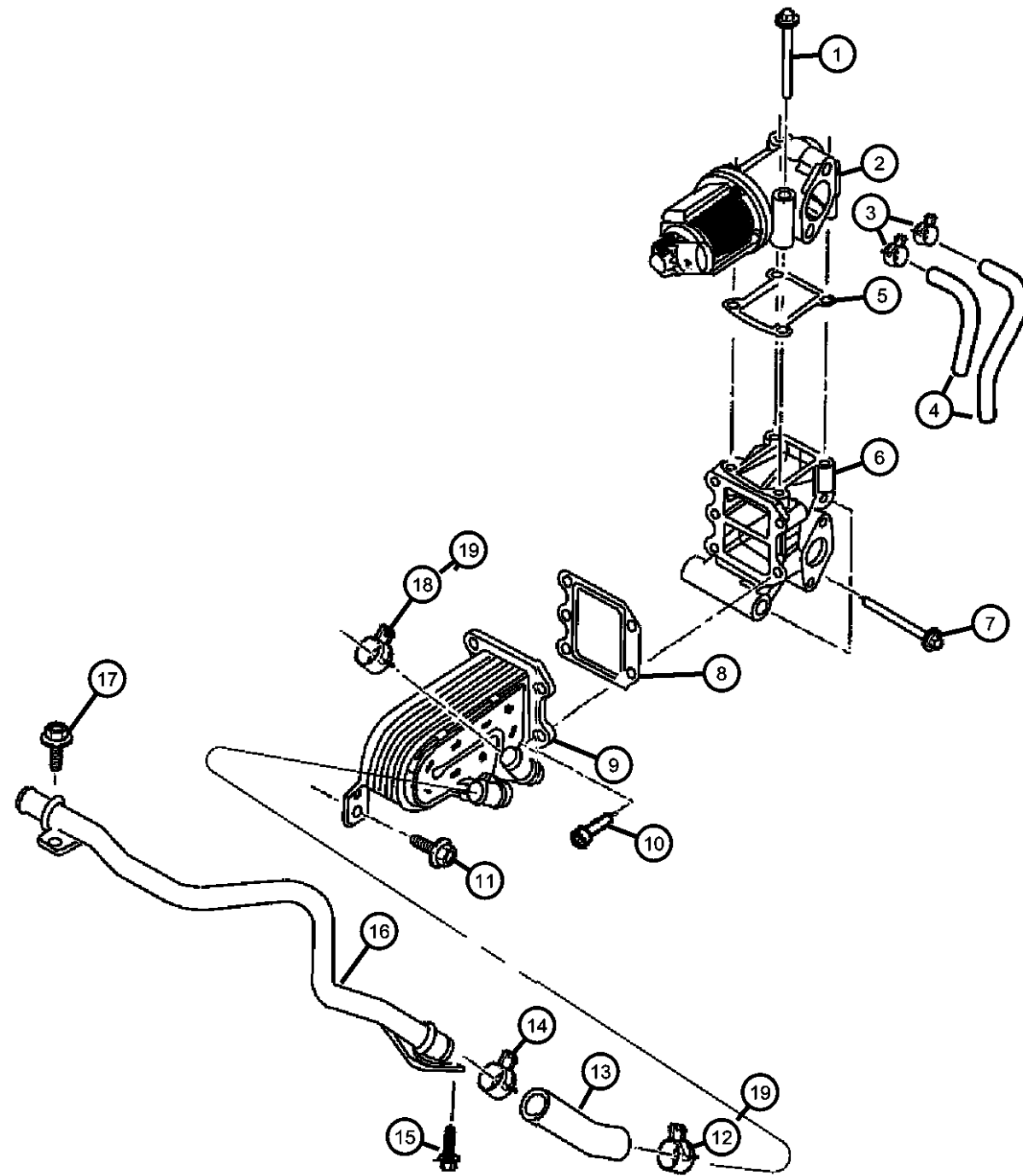
TRANSMISSION  
DG6 = 4-Spd. Automatic 42RLE Transmission  
DGV = 4-Spd. Automatic VLP Transmission  
DGQ = 5-Spd Automatic 5-45RFE Transmission  
DEH = 6-Speed Manual NSG370 Transmission  
DDD = 5-Speed HD Manual Transmission  
DDK = 5-Speed HD Manual Transmission

AR = use ase required - = Non illustrated part

2006 KJ

**EGR System 2.8L [EN0]  
Figure 25-210**

ITEM	PART NUMBER	QTY	LINE	SERIES	BODY	ENGINE	TRANS	TRIM	DESCRIPTION
	04720658	1				EN0	DG0		
		1				EN0	DBB		
11									SCREW
	05003557AA	2				EN0	DG0		
		2				EN0	DBB		
12	05003552AB	1				EN0	DG0		CLAMP, Oil Seperator Hose
13	05159961AA	1				EN0	DBB		PIPE
14									CLAMP, Heater Hose
	04883924AA	4				EN0	DG0		
		4				EN0	DBB		
15									BOLT
	04864748AB	1				EN0	DBB		
		1				EN0	DG0		
16									PIPE, Water Return
	05142584AB	1	J, T, U		74	EN0	DG0		
		1	J, T, U		74	EN0	DBB		
17									BOLT
	04864748AB	1				EN0	DG0		
		1				EN0	DBB		
18	05003552AB	1				EN0	DG0		CLAMP, Oil Seperator Hose
19	04883924AA	4				EN0	DBB		CLAMP, Heater Hose



**LIBERTY (KJ)**

SERIES      LINE  
H = HIGHLINE    T = JEEP - 2WD  
M = MEDIUM     J = JEEP - 4WD  
P = PREMIUM     U = JEEP - 4WD (RHD)

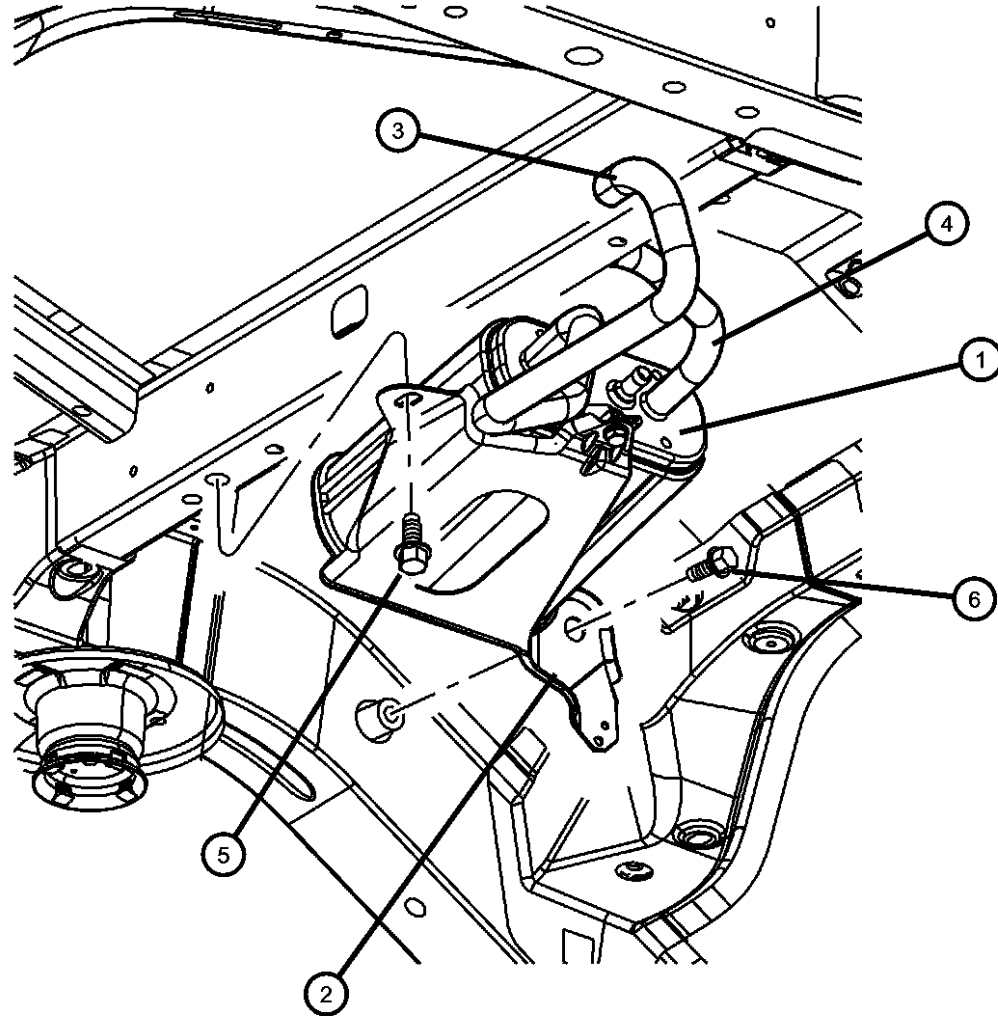
BODY  
74 = SPORT UTILITY 4-DR

ENGINE      TRANSMISSION  
EKG = 3.7L V6 Engine      DG6 = 4-Spd. Automatic 42RLE  
ENR = 2.8L 4 Cyl Turbo Diesel Engine      DG7 = 4-Spd. Automatic VLP  
ENJ = 2.5L 4 Cyl 16V Turbo Diesel Engine      DGQ = 5-Spd Automatic 5-45RFE  
ED1 = 2.4L 4 Cyl DOHC 16v SMPI Engine      DEH = 6-Speed Manual NSG370  
Transmission  
DDD = 5-Speed HD Manual Transmission  
DDK = 5-Speed HD Manual Transmission

AR = use ase required    - = Non illustrated part

Vapor Canister  
Figure 25-310

ITEM	PART NUMBER	QTY	LINE	SERIES	BODY	ENGINE	TRANS	TRIM	DESCRIPTION
1	04891562AA	1				EK0			CANISTER, Vapor
2	52128677AC	1				EK0			BRACKET, Vapor Canister
3	52128661AA	1				EK0			HOSE, Canister to NVLD
4	52128679AB	1				EK0			HOSE, Canister to Vent Valve
5	06101452	1				EK0			SCREW AND WASHER, Hex Head, M8x1.25x20
6	06508267AA	2				EK0			BOLT
-7	06101467	1				EK0			NUT, Hex Flange, M8x1.25



LIBERTY (KJ)

SERIES      LINE  
H = HIGHLINE    T = JEEP - 2WD  
M = MEDIUM     J = JEEP - 4WD  
P = PREMIUM    U = JEEP - 4WD (RHD)

BODY  
74 = SPORT UTILITY 4-DR

ENGINE      TRANSMISSION  
EKG = 3.7L V6 Engine      DG6 = 4-Spd. Automatic 42RLE  
ENR = 2.8L 4 Cyl Turbo Diesel Engine      DG6 = 4-Spd. Automatic 42RLE  
ENJ = 2.5L 4 Cyl 16V Turbo Diesel Engine      DGQ = 5-Spd Automatic 5-45RFE  
ED1 = 2.4L 4 Cyl DOHC 16v SMPI Engine      DEH = 6-Speed Manual NSG370  
Transmission  
DDD = 5-Speed HD Manual Transmission  
DDK = 5-Speed HD Manual Transmission

AR = use ase required - = Non illustrated part

2006 KJ

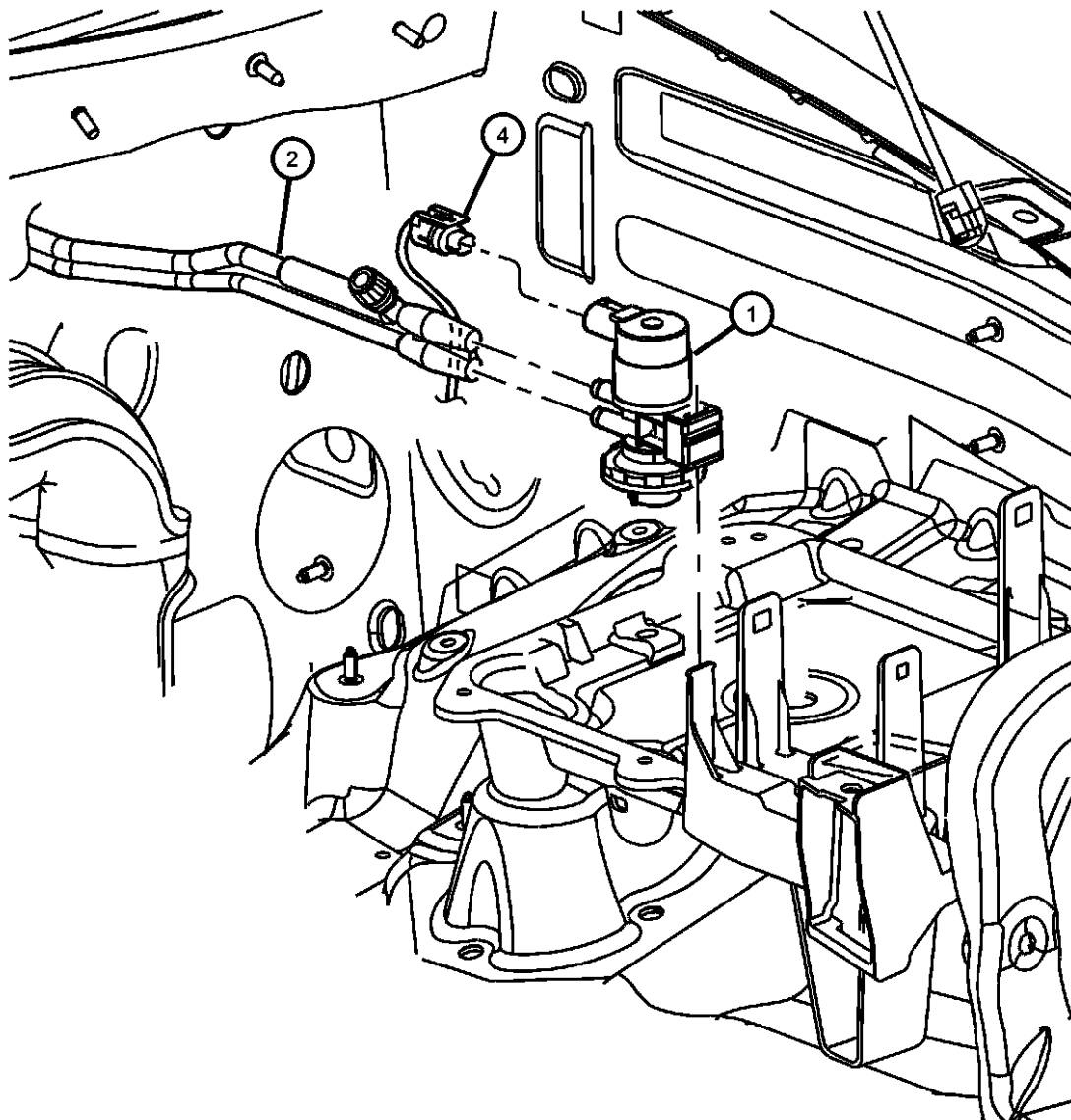
### Emission Vacuum Harness 3.7L [EK0]

#### Figure 25-420

ITEM	PART NUMBER	QTY	LINE	SERIES	BODY	ENGINE	TRANS	TRIM	DESCRIPTION
------	-------------	-----	------	--------	------	--------	-------	------	-------------

Note; Sales Codes  
 [EK0]= All 3.7L 6 Cylinder Gas Engines

1	52090419AA	1				EK0			SOLENOID, Proportional Purge
2	52128696AC	1				EK0			HARNESS, Vapor Purge
-3									TUBE, Vacuum, From Vapor Harness To Throttle Body
	52128663AB	1				EK0			
	52128666AB	1				ED0			
4	52128666AB	1							CONNECTOR, See Headlamp To Dash Wiring , Group 8, (NOT SERVICED)
-5	03580172	1							CAP, Vacuum



**LIBERTY (KJ)**

SERIES	LINE
H = HIGHLINE	T = JEEP - 2WD
M = MEDIUM	J = JEEP - 4WD
P = PREMIUM	U = JEEP - 4WD (RHD)

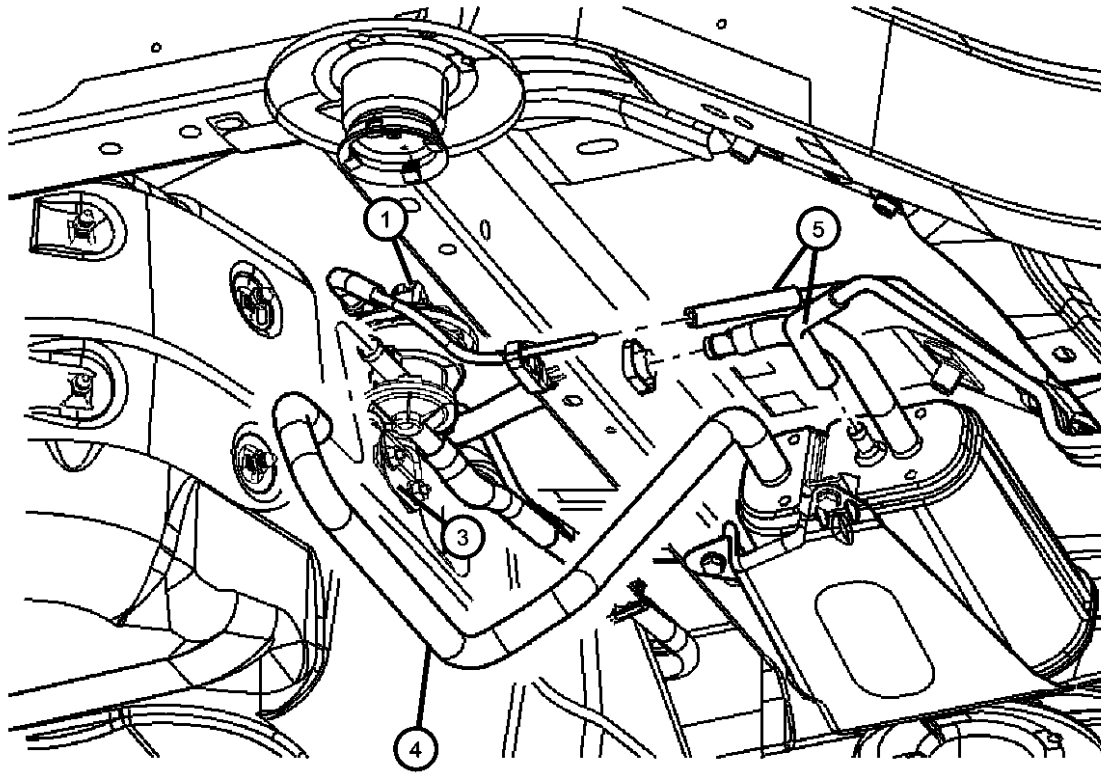
BODY
74 = SPORT UTILITY 4-DR

ENGINE	TRANSMISSION
EKG = 3.7L V6 Engine	DG6 = 4-Spd. Automatic 42RLE
ENR = 2.8L 4 Cyl Turbo Diesel Engine	Transmission
ENJ = 2.5L 4 Cyl 16V Turbo Diesel Engine	DGV = 4-Spd. Automatic VLP
ED1 = 2.4L 4 Cyl DOHC 16v SMPI Engine	Transmission
	DGQ = 5-Spd Automatic 5-45RFE
	Transmission
	DEH = 6-Speed Manual NSG370
	Transmission
	DDD = 5-Speed HD Manual
	Transmission
	DDK = 5-Speed HD Manual
	Transmission

AR = use ase required - = Non illustrated part

**Leak Detection Pump 3.7L [EK0]  
Figure 25-430**

ITEM	PART NUMBER	QTY	LINE	SERIES	BODY	ENGINE	TRANS	TRIM	DESCRIPTION
Note; Sales Code [EK0]= All 3.7L 6 Cylinder Gas Engines									
1	04891525AB	1				EK0			DETECTOR, Natural Vacuum Leak Detection
-2	05085164AA	1				EK0			FILTER, Leak Detection Pump
3	52128629AC	1				EK0			BRACKET, Natural Vacuum Leak Detection
4	52128661AA	1				EK0			HOSE, Canister to NVLD
5	52128661AA	1							BUNDLE, Fuel Line, Service in group 14, (NOT SERVICED)
-6	52128679AB	1				EK0			HOSE, Canister to Vent Valve
-7	52128663AB	1				EK0			TUBE, Vacuum
-8	52128631AC	1				EK0			TUBE, Vapor, FRESH AIR
-9	04891562AA	1				EK0			CANISTER, Vapor



<b>LIBERTY (KJ)</b>				
SERIES	LINE	BODY	ENGINE	TRANSMISSION
H = HIGHLINE	T = JEEP - 2WD	74 = SPORT UTILITY 4-DR	EKG = 3.7L V6 Engine	DG6 = 4-Spd. Automatic 42RLE
M = MEDIUM	J = JEEP - 4WD		ENR = 2.8L 4 Cyl Turbo Diesel Engine	Transmission
P = PREMIUM	U = JEEP - 4WD (RHD)		ENJ = 2.5L 4 Cyl 16V Turbo Diesel Engine	DGV = 4-Spd. Automatic VLP
			ED1 = 2.4L 4 Cyl DOHC 16v SMPI Engine	Transmission
				DGQ = 5-Spd Automatic 5-45RFE
				Transmission
				DEH = 6-Speed Manual NSG370
				Transmission
				DDD = 5-Speed HD Manual
				Transmission
				DDK = 5-Speed HD Manual
				Transmission

AR = use ase required - = Non illustrated part



# Group - DKJ

## Doors and Related Parts

### Group - DKJ Doors and Related Parts

Illustration Title

Group-Fig. No.

#### Front Door

Door, Front, Shell and Hinges .....	Fig. DKJ - 110
Door, Front, Glass and Regulator .....	Fig. DKJ - 120
Door, Front, Lock and Controls .....	Fig. DKJ - 130

#### Rear Door

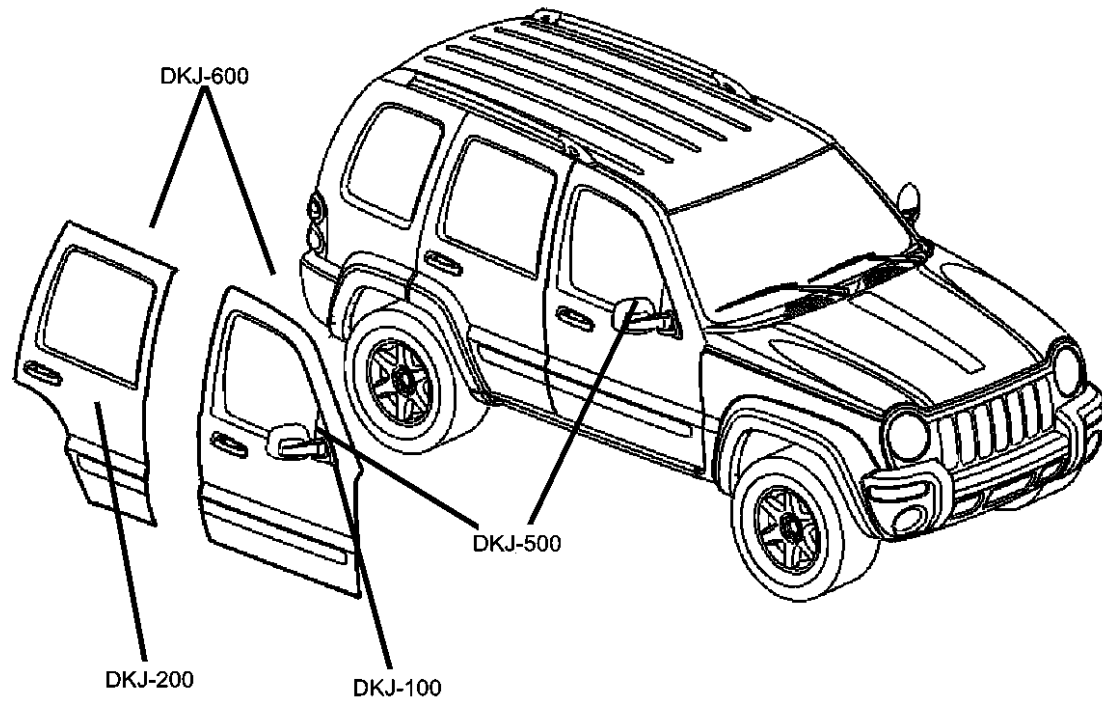
Door, Rear, Shell and Hinges .....	Fig. DKJ - 210
Door, Rear, Glass and Regulator .....	Fig. DKJ - 220
Door, Rear, Lock and Controls .....	Fig. DKJ - 230

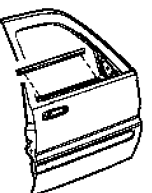
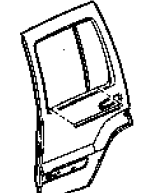

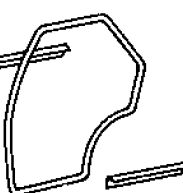
#### Exterior Mirror

Mirrors, Exterior .....	Fig. DKJ - 510
-------------------------	----------------

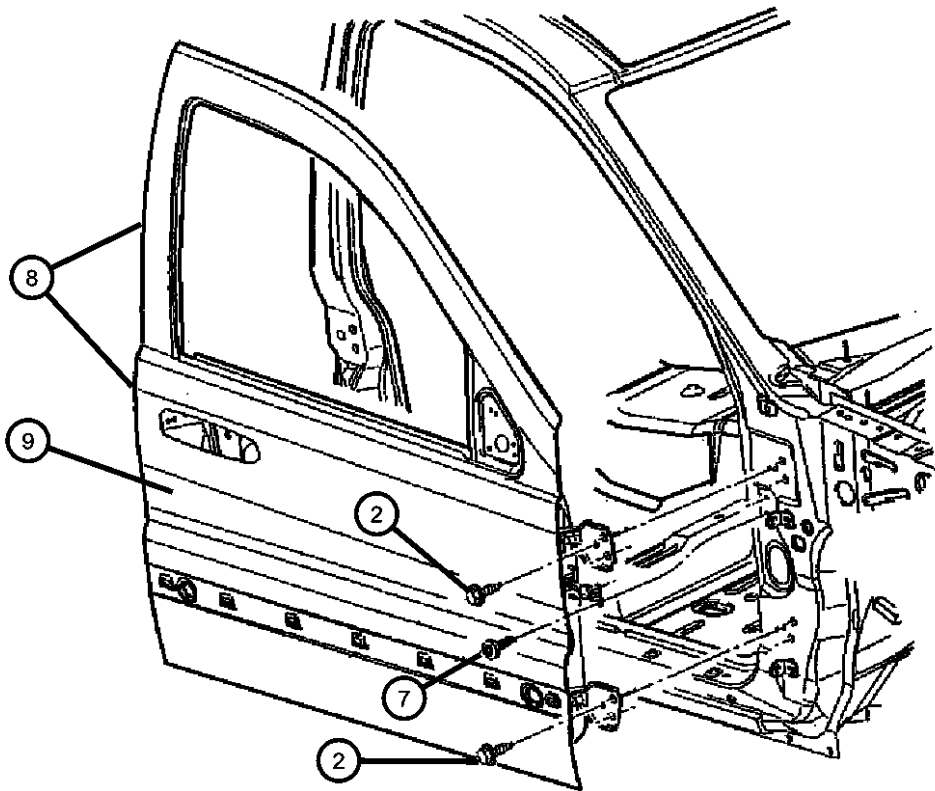
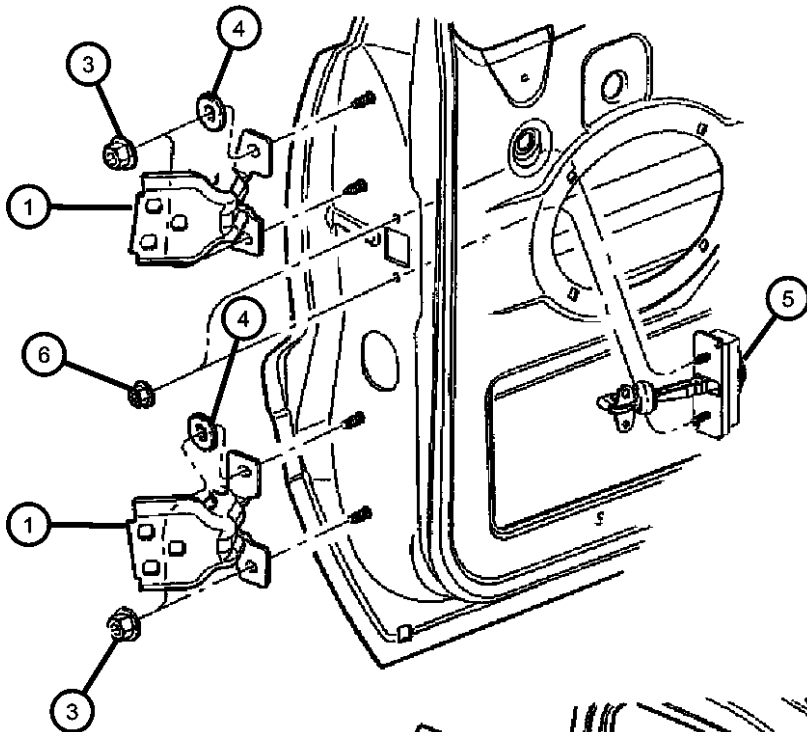
#### Weatherstrips and Seals

Door, Front .....	Fig. DKJ - 610
Door, Rear .....	Fig. DKJ - 620



<p><b>DKJ-100</b> Front Door</p> 	<p><b>DKJ-200</b> Rear Door</p> 	<p><b>DKJ-500</b> Exterior Mirror</p> 	<p><b>DKJ-600</b> Weatherstrips and Seals</p> 
--	---	--	---

Door, Front, Shell and Hinges  
Figure DKJ-110



ITEM	PART NUMBER	QTY	LINE	SERIES	BODY	ENGINE	TRANS	TRIM	DESCRIPTION
Sale Codes: [GXM]= Keyless Entry									
1	55177026AC	4							HINGE, Door
2	06507342AA	8							SCREW, M8x1.25x30
3	06507342AA	8							NUT AND WASHER, Hex, M8x1.25, (NOT SERVICED)
4	06507342AA	8							WASHER, Flat, (NOT SERVICED)
5	55177028AC	2							CHECK, Front DoorRight & Left
6	05096978AA	2	J, T						NUT, Hex, M6
7	05096978AA	2							SCREW AND WASHER, Hex Head, M6x1x20, (NOT SERVICED)
8									DOOR, Front
	55176890AH	1							Right
	55176891AH	1							Left
9									PANEL, Front Door Outer Repair
	55176882AD	1							Right
	55176883AD	1							Left
-10									BRACKET, Door Inside
	05072943AA	1	J, U						Export, Right
	55360636AA	1	J, T						[GXM], Right
	05072945AA	1	J, U						Left

LIBERTY (KJ)

SERIES      LINE  
H = HIGHLINE    T = JEEP - 2WD  
M = MEDIUM     J = JEEP - 4WD  
P = PREMIUM    U = JEEP - 4WD (RHD)

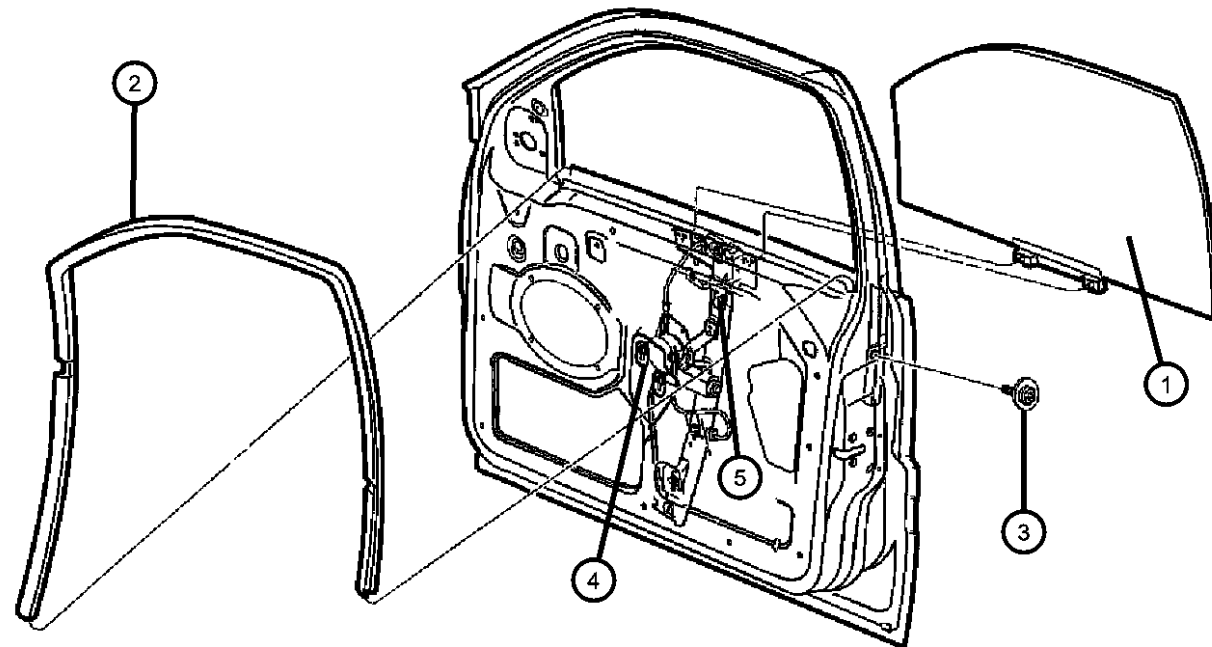
BODY  
74 = SPORT UTILITY 4-DR

ENGINE      TRANSMISSION  
EKG = 3.7L V6 Engine      DG6 = 4-Spd. Automatic 42RLE  
ENR = 2.8L 4 Cyl Turbo Diesel Engine      DGV = 4-Spd. Automatic VLP  
ENJ = 2.5L 4 Cyl 16V Turbo Diesel Engine      DGQ = 5-Spd Automatic 5-45RFE  
ED1 = 2.4L 4 Cyl DOHC 16v SMPI Engine      DEH = 6-Speed Manual NSG370  
Transmission  
DDD = 5-Speed HD Manual Transmission  
DDK = 5-Speed HD Manual Transmission

AR = use ase required - = Non illustrated part

2006 KJ

**Door, Front, Glass and Regulator  
Figure DKJ-120**



ITEM	PART NUMBER	QTY	LINE	SERIES	BODY	ENGINE	TRANS	TRIM	DESCRIPTION
1									GLASS, Front Door
	55360374AH	1							Up to 2/25/06. With Liftplate, Right
	DD09984GTY								Collision Replacement Glass
	55360375AH	1							Up to 2/25/06. With Liftplate, Left
	DD09985GTY								Collision Replacement Glass
	55360998AA	1							After 2/25/06, Without Liftplate, Right
	DD11118GTN								Collision Replacement Glass
	55360999AA	1							After 2/25/06, Without Liftplate, Left
	DD11119GTN								Collision Replacement Glass
2									WEATHERSTRIP, Glass Channel Run
	55360958AA	1							Right
	55360959AA	1							Left
3	55360959AA	1							SCREW, M6X1.00X15.5, (NOT SERVICED)
4									REGULATOR, Front Door Window
	04589265AA	1							Used After 2/25/06, Without Liftplate, Left
	04589268AA	1							Used After 2/25/06, Without Liftplate, Right
	55360030AM	1							Used Up to 2/25/2006, Right
	55360031AM	1							Used Up to 2/25/2006, Left
5	06504029	7							BOLT, Hex Flange Head, M6x1.0x20, Regulator to Door

**LIBERTY (KJ)**

SERIES      LINE  
H = HIGHLINE    T = JEEP - 2WD  
M = MEDIUM     J = JEEP - 4WD  
P = PREMIUM     U = JEEP - 4WD (RHD)

BODY  
74 = SPORT UTILITY 4-DR

ENGINE      TRANSMISSION  
EKG = 3.7L V6 Engine      DG6 = 4-Spd. Automatic 42RLE  
ENR = 2.8L 4 Cyl Turbo Diesel Engine      DGV = 4-Spd. Automatic VLP  
ENJ = 2.5L 4 Cyl 16V Turbo Diesel Engine      DGQ = 5-Spd Automatic 5-45RFE  
ED1 = 2.4L 4 Cyl DOHC 16v SMPI Engine      DEH = 6-Speed Manual NSG370  
DDD = 5-Speed HD Manual Transmission  
DDK = 5-Speed HD Manual Transmission

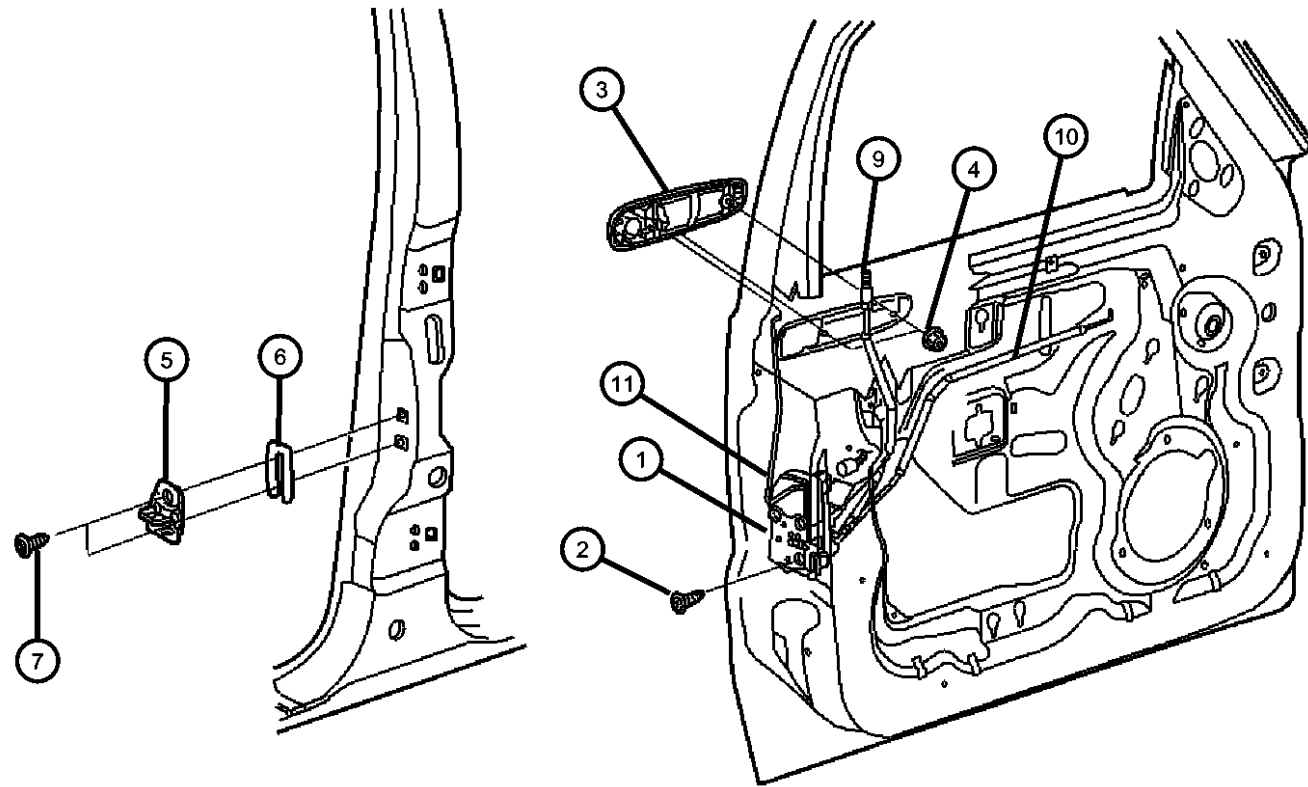
AR = use ase required - = Non illustrated part

2006 KJ

**Door, Front, Lock and Controls  
Figure DKJ-130**

ITEM	PART NUMBER	QTY	LINE	SERIES	BODY	ENGINE	TRANS	TRIM	DESCRIPTION
------	-------------	-----	------	--------	------	--------	-------	------	-------------

Sales Codes  
[GXB]= Remote Keyless Entry



1									LATCH, Front Door
	55177042AL	1							Without [GXM], Right
	55360611AE	1							With [GXM], Right
	55360956AC	1							Left
2	06033876	6							SCREW, Tapping, M6.3x1.8x38.1
3									HANDLE, Front Door Exterior
	55360332AF	1							Without [GXM], Right
	55360333AF	1							, Left
	55360614AB	1							With [GXM], Right
4	06503226	2							NUT, Hex Flange, M5x.8
5	04780607AA	2							STRIKER, DoorRight & Left
6	55075483	AR							SPACER, Door Latch Striker
7	06506749AA	4							SCREW, 6 Lobed
-8	04658677	2							CLIP, Latch Link
9									ROD, Latch To Knob
	55360534AC	1							Chrome, Right
	55360534AE	1		J, T, U			74		Black, Right
	55360535AC	1							Chrome, Left
	55360535AE	1		J, T, U			74		Black, Left
10	05072350AA	1							ROD, Inside Handle to Latch
11	05072352AA	1							LINK, Exterior Door Handle

**LIBERTY (KJ)**

SERIES      LINE  
H = HIGHLINE    T = JEEP - 2WD  
M = MEDIUM     J = JEEP - 4WD  
P = PREMIUM     U = JEEP - 4WD (RHD)

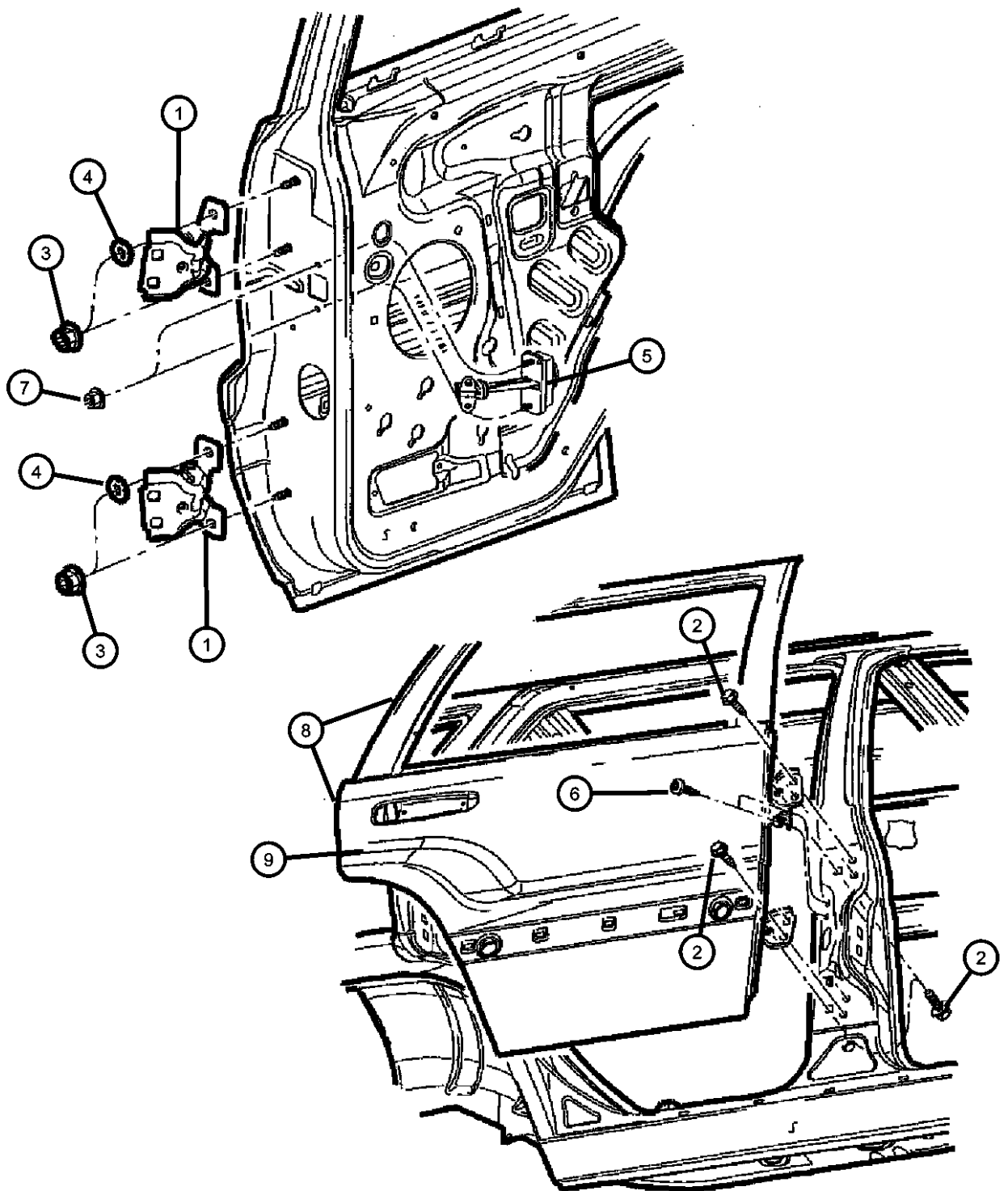
BODY  
74 = SPORT UTILITY 4-DR

ENGINE      TRANSMISSION  
EKG = 3.7L V6 Engine      DG6 = 4-Spd. Automatic 42RLE  
ENR = 2.8L 4 Cyl Turbo Diesel Engine      DGV = 4-Spd. Automatic VLP  
ENJ = 2.5L 4 Cyl 16V Turbo Diesel Engine      DGQ = 5-Spd Automatic 5-45RFE  
ED1 = 2.4L 4 Cyl DOHC 16v SMPI Engine      DEH = 6-Speed Manual NSG370  
Transmission  
DDD = 5-Speed HD Manual Transmission  
DDK = 5-Speed HD Manual Transmission

AR = use ase required    - = Non illustrated part

2006 KJ

Door, Rear, Shell and Hinges  
Figure DKJ-210

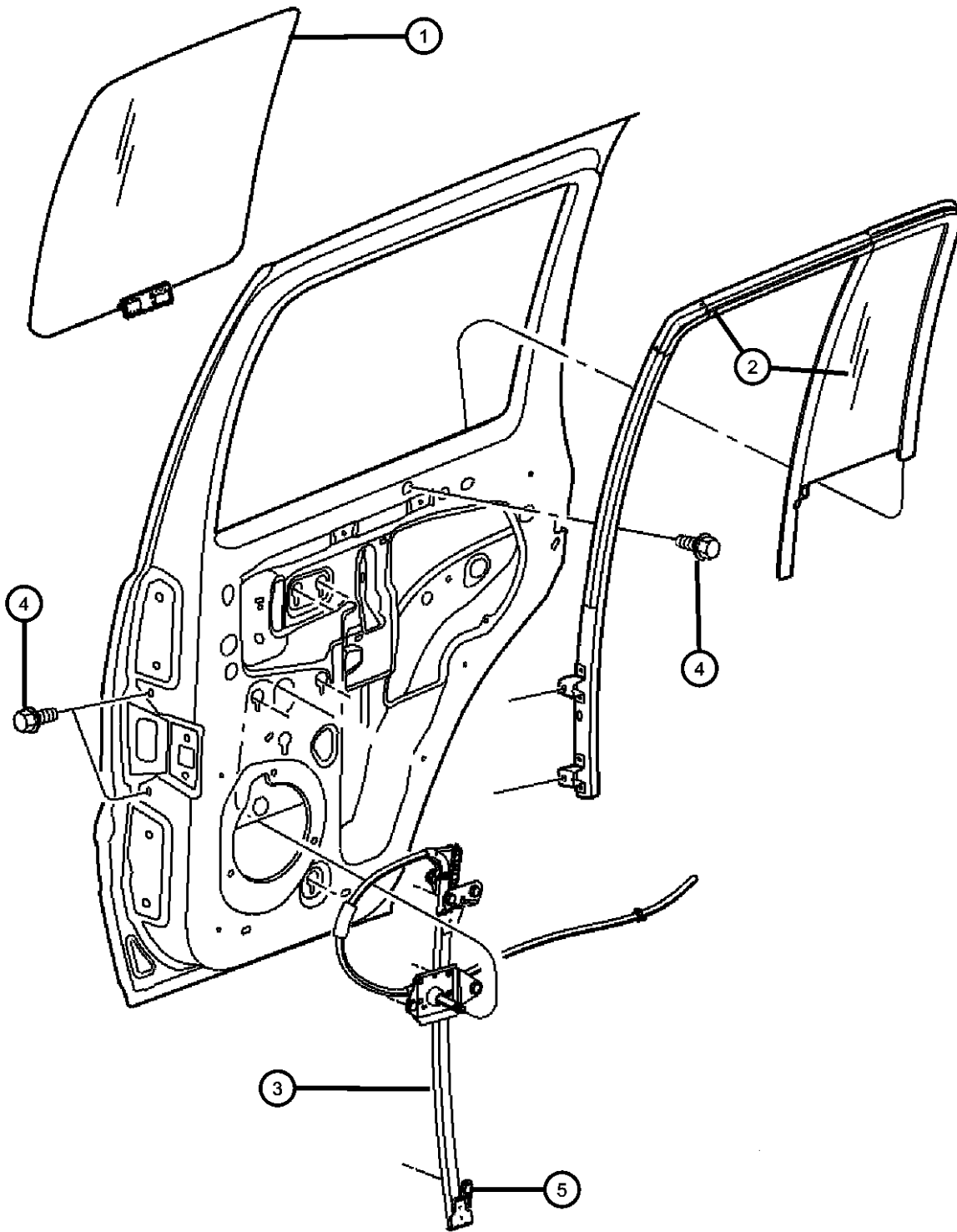


ITEM	PART NUMBER	QTY	LINE	SERIES	BODY	ENGINE	TRANS	TRIM	DESCRIPTION
1	55177030AE	4							HINGE, DoorRight & Left
2	06507342AA	8							SCREW, M8x1.25x30
3	06507342AA	8							NUT AND WASHER, Hex, M8x1.25, (NOT SERVICED)
4	06507342AA	8							WASHER, Flat, (NOT SERVICED)
5	55177036AC	2							CHECK, Rear DoorRight & Left
6	55177036AC	2							SCREW AND WASHER, Hex Head, M6x1x20, (NOT SERVICED)
7	05096978AA	4							NUT, Hex, M6
8									DOOR, Rear
	55176906AI	1							Right
	55176907AI	1							Left
9									PANEL, Rear Door
	55176908AD	1							Right
	55176909AD	1							Left

<b>LIBERTY (KJ)</b>				
SERIES	LINE	BODY	ENGINE	TRANSMISSION
H = HIGHLINE	T = JEEP - 2WD	74 = SPORT UTILITY 4-DR	EKG = 3.7L V6 Engine	DG6 = 4-Spd. Automatic 42RLE
M = MEDIUM	J = JEEP - 4WD		ENR = 2.8L 4 Cyl Turbo Diesel Engine	Transmission
P = PREMIUM	U = JEEP - 4WD (RHD)		ENJ = 2.5L 4 Cyl 16V Turbo Diesel Engine	DGV = 4-Spd. Automatic VLP
			ED1 = 2.4L 4 Cyl DOHC 16v SMPI Engine	Transmission
				DGQ = 5-Spd Automatic 5-45RFE
				Transmission
				DEH = 6-Speed Manual NSG370
				Transmission
				DDD = 5-Speed HD Manual
				Transmission
				DDK = 5-Speed HD Manual
				Transmission

AR = use ase required - = Non illustrated part

**Door, Rear, Glass and Regulator  
Figure DKJ-220**



ITEM	PART NUMBER	QTY	LINE	SERIES	BODY	ENGINE	TRANS	TRIM	DESCRIPTION
------	-------------	-----	------	--------	------	--------	-------	------	-------------

Sales Codes:  
 [GEG] = Glass - Deep Tint Sunscreen  
 [GEJ] = Glass - Tinted

1									GLASS, Rear Door, Roll Up
	55360995AA	1							Tinted [GEJ], After 3/15/06, Without Liftplate, Left Collision Replacement Glass
	DD11121GTN								
	55360996AA	1							Privacy [GEG], After 3/15/06, Without Liftplate, Right Collision Replacement Glass
	DD11122YPN								
	55360376AG	1							Tinted [GEJ], Up to 3/15/06, With Liftplate, Right Collision Replacement Glass
	DD09986GTY								
	55360377AG	1							Tinted [GEJ], Up to 3/15/06, With Liftplate, Left Collision Replacement Glass
	DD09987GTY								
	55360378AH	1							Privacy [GEG], Up to 3/15/06, With Liftplate, Right Collision Replacement Glass
	DD10725YPY								
	55360379AH	1							Privacy [GEG], Up to 3/15/06, With Liftplate, Left Collision Replacement Glass
	DD10726YPY								
	55360994AA	1							Tinted [GEJ], After 3/15/06, Without Liftplate, Right Collision Replacement Glass
	DD11120GTN								
	55360997AA	1							Privacy [GEG], After 3/15/06, Without Liftplate, Left Collision Replacement Glass
	DD11123YPN								
2									GLASS, Rear Door, Fixed, With Weatherstrip
	55360963AA	1							[GEJ], Left
	55360960AA	1							[GEG], Right
	55360961AA	1							[GEG], Left
	55360962AA	1							[GEJ], Right
3									REGULATOR, Rear Door Window
	04589266AA	1	J, T, U		74				After 1/18/2006, Right

**LIBERTY (KJ)**

SERIES	LINE
H = HIGHLINE	T = JEEP - 2WD
M = MEDIUM	J = JEEP - 4WD
P = PREMIUM	U = JEEP - 4WD (RHD)

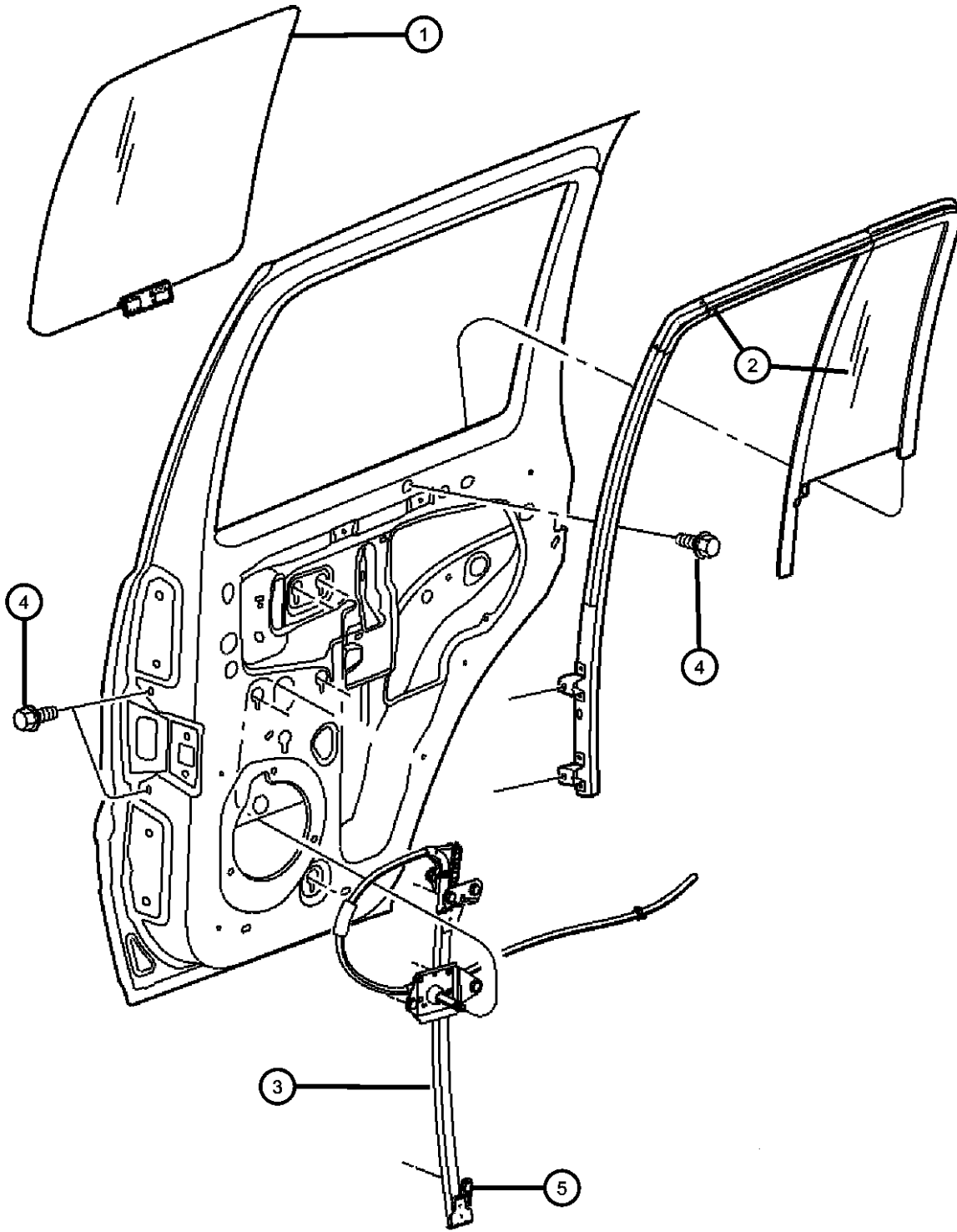
BODY  
74 = SPORT UTILITY 4-DR

ENGINE	TRANSMISSION
EKG = 3.7L V6 Engine	DG6 = 4-Spd. Automatic 42RLE
ENR = 2.8L 4 Cyl Turbo Diesel Engine	Transmission
ENJ = 2.5L 4 Cyl 16V Turbo Diesel Engine	DGV = 4-Spd. Automatic VLP
ED1 = 2.4L 4 Cyl DOHC 16v SMPI Engine	Transmission
	DGQ = 5-Spd Automatic 5-45RFE
	Transmission
	DEH = 6-Speed Manual NSG370
	Transmission
	DDD = 5-Speed HD Manual
	Transmission
	DDK = 5-Speed HD Manual
	Transmission

AR = use ase required - = Non illustrated part

2006 KJ

**Door, Rear, Glass and Regulator  
Figure DKJ-220**



ITEM	PART NUMBER	QTY	LINE	SERIES	BODY	ENGINE	TRANS	TRIM	DESCRIPTION
	04589267AA	1	J, T, U		74				After 1/18/2006, Left
	55360034AJ	1	J, T, U		74				Up to 1/18/2006, Right
	55360035AJ	1	J, T, U		74				Up to 1/18/2006, Left
4	55360035AJ	1							SCREW, M6X1.00X15.5, (NOT SERVICED),
5	06504029	6							BOLT, Hex Flange Head, M6x1.0x20

**LIBERTY (KJ)**

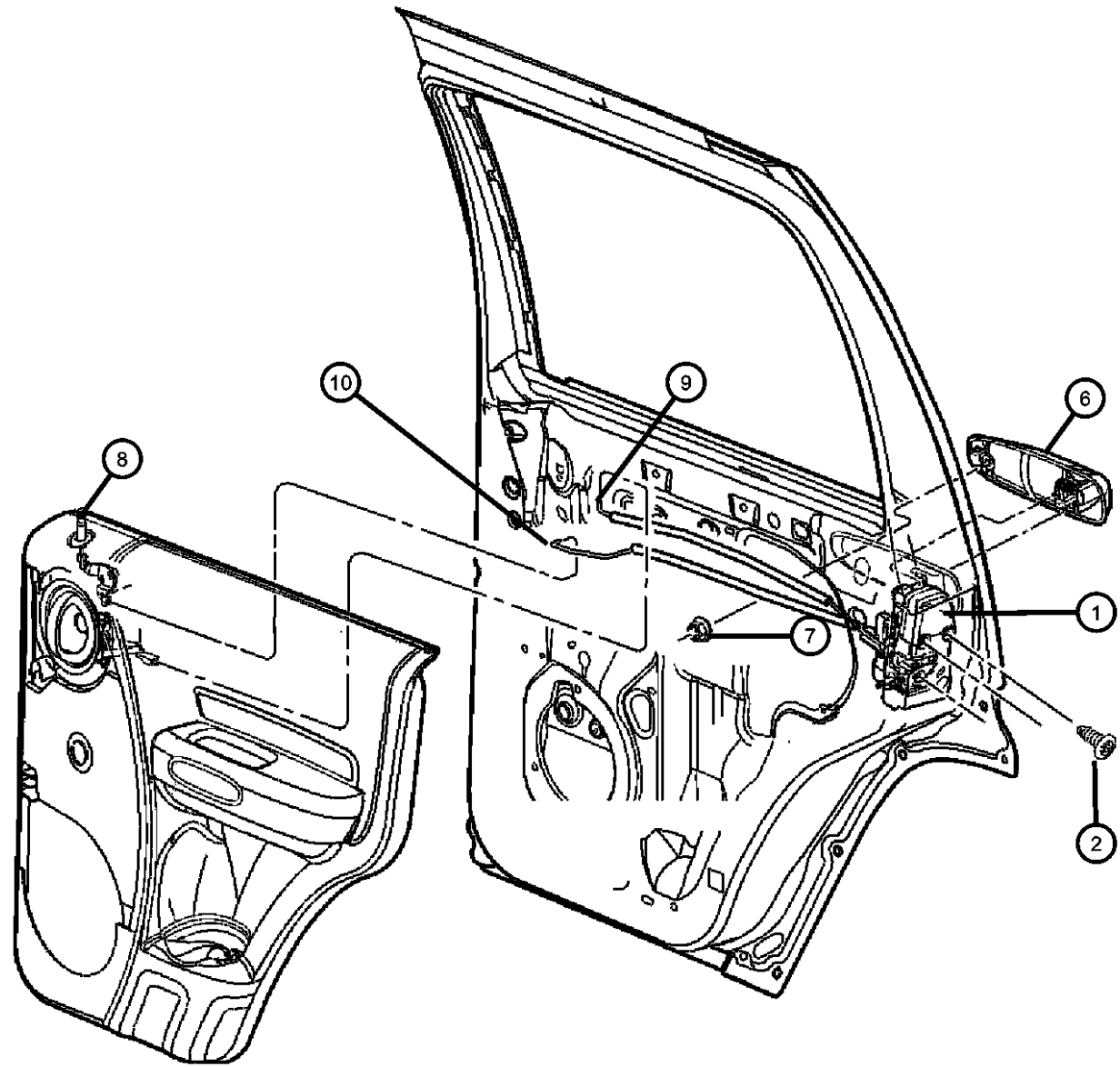
SERIES      LINE  
H = HIGHLINE    T = JEEP - 2WD  
M = MEDIUM     J = JEEP - 4WD  
P = PREMIUM    U = JEEP - 4WD (RHD)

BODY  
74 = SPORT UTILITY 4-DR

ENGINE      TRANSMISSION  
EKG = 3.7L V6 Engine      DG6 = 4-Spd. Automatic 42RLE  
ENR = 2.8L 4 Cyl Turbo Diesel      Transmission  
Engine      DGV = 4-Spd. Automatic VLP  
ENJ = 2.5L 4 Cyl 16V Turbo      Transmission  
Diesel Engine      DGQ = 5-Spd Automatic 5-45RFE  
ED1 = 2.4L 4 Cyl DOHC 16v      Transmission  
SMPI Engine      DEH = 6-Speed Manual NSG370  
Transmission  
DDD = 5-Speed HD Manual  
Transmission  
DDK = 5-Speed HD Manual  
Transmission

AR = use ase required - = Non illustrated part

**Door, Rear, Lock and Controls**  
**Figure DKJ-230**



ITEM	PART NUMBER	QTY	LINE	SERIES	BODY	ENGINE	TRANS	TRIM	DESCRIPTION
1									LATCH, Rear Door
	55177044AI	1							Right
	55177045AI	1							Left
2	06033876	6							SCREW, Tapping, M6.3x1.8x38.1
-3	04780607AA	2							STRIKER, DoorRight & Left
-4	55075483	AR							SPACER, Door Latch Striker
-5	06506749AA	4							SCREW, 6 Lobed, Used with Striker
6									HANDLE, Exterior Door
	55360334AF	1							Right
	55360335AF	1							Left
7	06503226	2							NUT, Hex Flange, M5x.8
8									KNOB, Door Lock
	55360465AB	1							Used up to 7/11/05, Left
	55360464AB	1							Used up to 7/11/05, Right
	55360464AD	1							Used After 7/11/05, Right
	55360465AD	1							Used After 7/11/05, Left
9									ROD, Inside Handle to Latch
	05072356AA	1							Right
	05072357AA	1							Left
10									ROD, Inside Lock to Latch
	05072360AB	1							Right
	05072361AB	1							Left
-11									LINK, Exterior Door Handle
	05072358AB	1							Right
	05072359AB	1							Left

**LIBERTY (KJ)**

SERIES      LINE  
H = HIGHLINE    T = JEEP - 2WD  
M = MEDIUM      J = JEEP - 4WD  
P = PREMIUM      U = JEEP - 4WD (RHD)

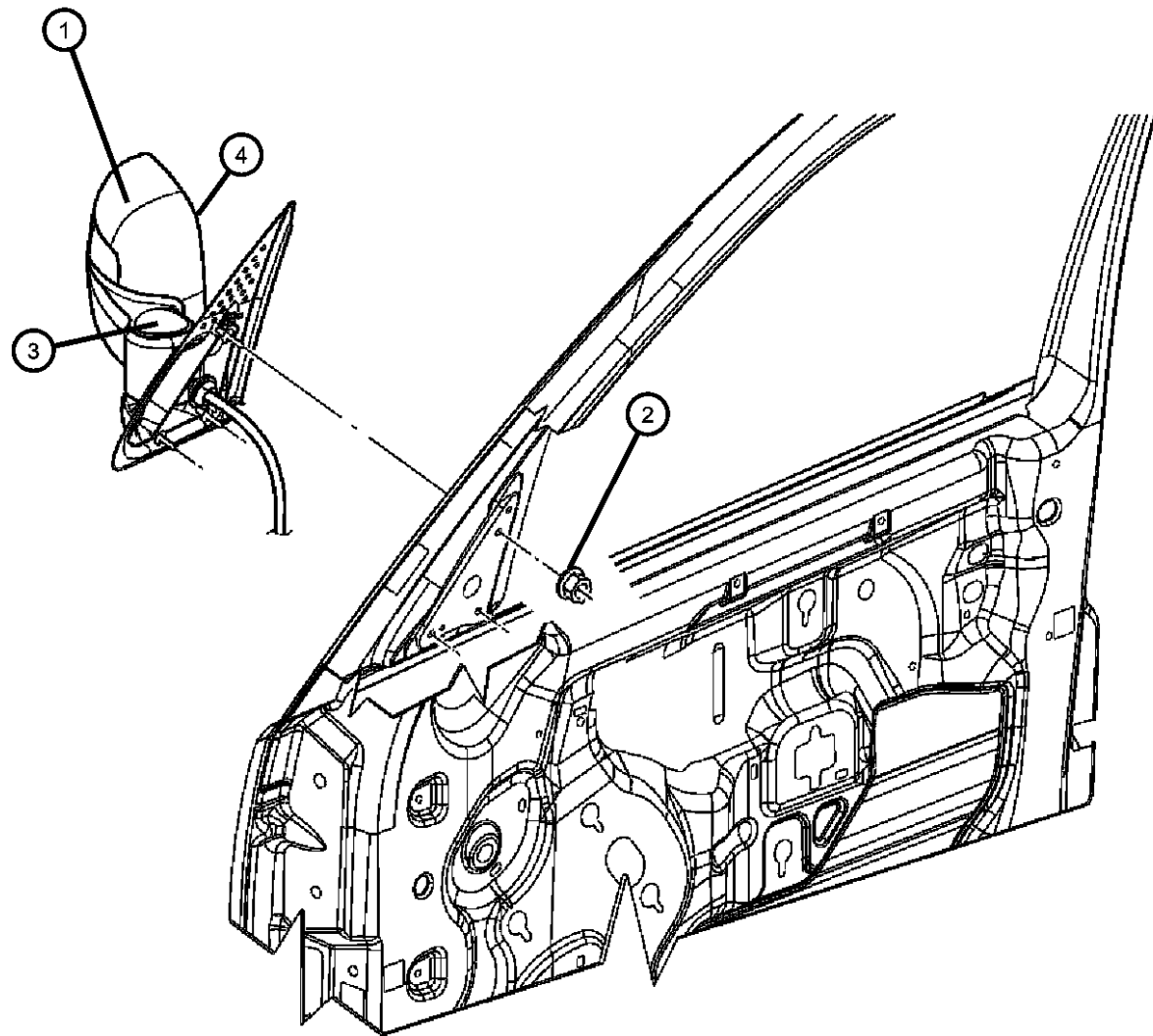
BODY  
74 = SPORT UTILITY 4-DR

ENGINE      TRANSMISSION  
EKG = 3.7L V6 Engine      DG6 = 4-Spd. Automatic 42RLE  
ENR = 2.8L 4 Cyl Turbo Diesel Engine      DG7 = 4-Spd. Automatic 42RLE  
ENJ = 2.5L 4 Cyl 16V Turbo Diesel Engine      DG8 = 4-Spd. Automatic VLP  
ED1 = 2.4L 4 Cyl DOHC 16v SMPI Engine      DG9 = 5-Spd Automatic 5-45RFE  
DEH = 6-Speed Manual NSG370 Transmission  
DDD = 5-Speed HD Manual Transmission  
DDK = 5-Speed HD Manual Transmission

AR = use ase required    - = Non illustrated part



Mirrors, Exterior  
Figure DKJ-510



ITEM	PART NUMBER	QTY	LINE	SERIES	BODY	ENGINE	TRANS	TRIM	DESCRIPTION
Sales Codes: [GT9] = Mirrors - Power Fold-Away [GTB] = Mirrors - Power Heated With Arabic Lettering [GTJ] = Mirrors - Power Heated Fold-Away [GTP] = Mirrors - Manual - Fold Away [GTS] = Mirrors - Power Heated									
1									MIRROR, Outside Rearview
	55155836AF	1	J, T						[GTP], Right
	55155837AF	1	J, T						[GTP], Left
	55155839AH	1	J, T		74				[GTB], Right
	55155840AG	1	J, T						[GT9], Right
	55155841AG	1	J, T						[GT9], Left
	55155842AG	1							[GTS], Right
	55155843AG	1	J, T						[GTS] Or [GTB], Left
	55155846AG	1	U		74				[GTJ], Right
	55155847AF	1	U						[GTJ], Left
2	06504047	6							NUT AND WASHER, Hex, M5x.80
3									COVER, Mirror Flag
	05086298AA	1							Right
	05086299AA	1	J, T						Left
		1	U		74				Left
4									GLASS, Mirror Replacement
	05083982AA	1	J, T						[GTP], Right
	05083983AA	1	J, T						[GTP], Left
	05134236AA	1							[GTS], Right
	05134237AA	1	J, T						[GTS] Or [GTB], Left
	05134238AA	1	J, T						[GT9], Right
	05134239AA	1	J, T						[GT9], Left
	05134240AA	1	U		74				[GTJ], Right
	05134241AA	1	U		74				[GTJ], Left
	05134242AA	1	J, T						[GTB], Right

LIBERTY (KJ)

SERIES      LINE  
H = HIGHLINE    T = JEEP - 2WD  
M = MEDIUM      J = JEEP - 4WD  
P = PREMIUM      U = JEEP - 4WD (RHD)

BODY  
74 = SPORT UTILITY 4-DR

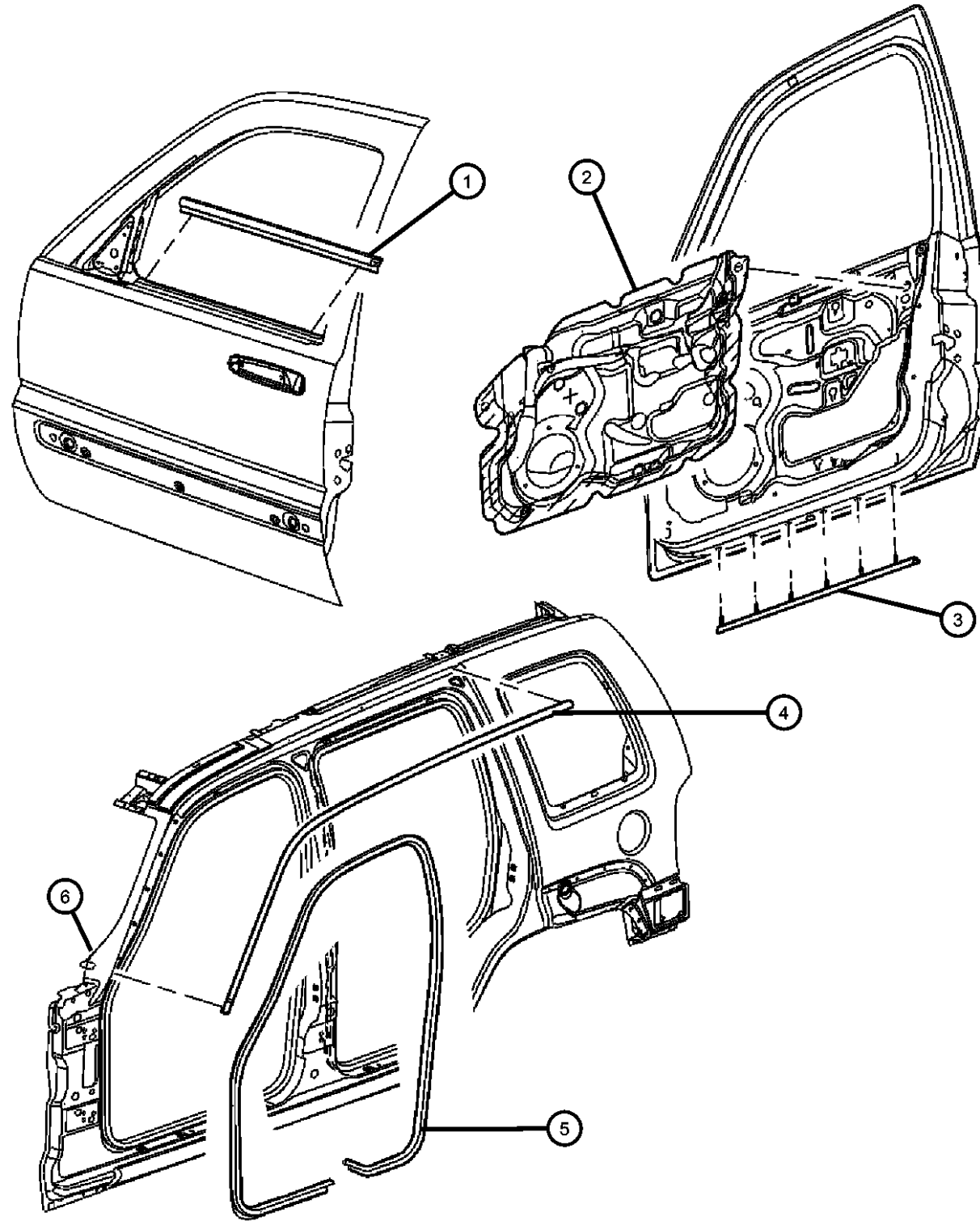
ENGINE  
EKG = 3.7L V6 Engine  
ENR = 2.8L 4 Cyl Turbo Diesel Engine  
ENJ = 2.5L 4 Cyl 16V Turbo Diesel Engine  
ED1 = 2.4L 4 Cyl DOHC 16v SMPI Engine

TRANSMISSION  
DG6 = 4-Spd. Automatic 42RLE Transmission  
DGV = 4-Spd. Automatic VLP Transmission  
DGQ = 5-Spd Automatic 5-45RFE Transmission  
DEH = 6-Speed Manual NSG370 Transmission  
DDD = 5-Speed HD Manual Transmission  
DDK = 5-Speed HD Manual Transmission

AR = use ase required - = Non illustrated part

2006 KJ

Door, Front  
Figure DKJ-610



ITEM	PART NUMBER	QTY	LINE	SERIES	BODY	ENGINE	TRANS	TRIM	DESCRIPTION
1	55360642AB	1							WEATHERSTRIP, Door Belt Right
	55360643AB	1							Left
2	55235892AH	1							WATERDAM, Front Door Right
	55235893AH	1							Left
3	55360663AA	2							SEAL, Rocker
4	55235918AJ	1							SEAL, Door Right
	55235919AJ	1							Left
5	55360965AA	2							WEATHERSEAL, Full Door To Body
6	55360542AD	1							SEAL, A-Pillar Blocker, Body Mounted Right
	55360543AD	1							Left
-7	55360256AC	2							SEAL, A-Pillar, Door Mounted

LIBERTY (KJ)

SERIES      LINE  
H = HIGHLINE    T = JEEP - 2WD  
M = MEDIUM     J = JEEP - 4WD  
P = PREMIUM    U = JEEP - 4WD (RHD)

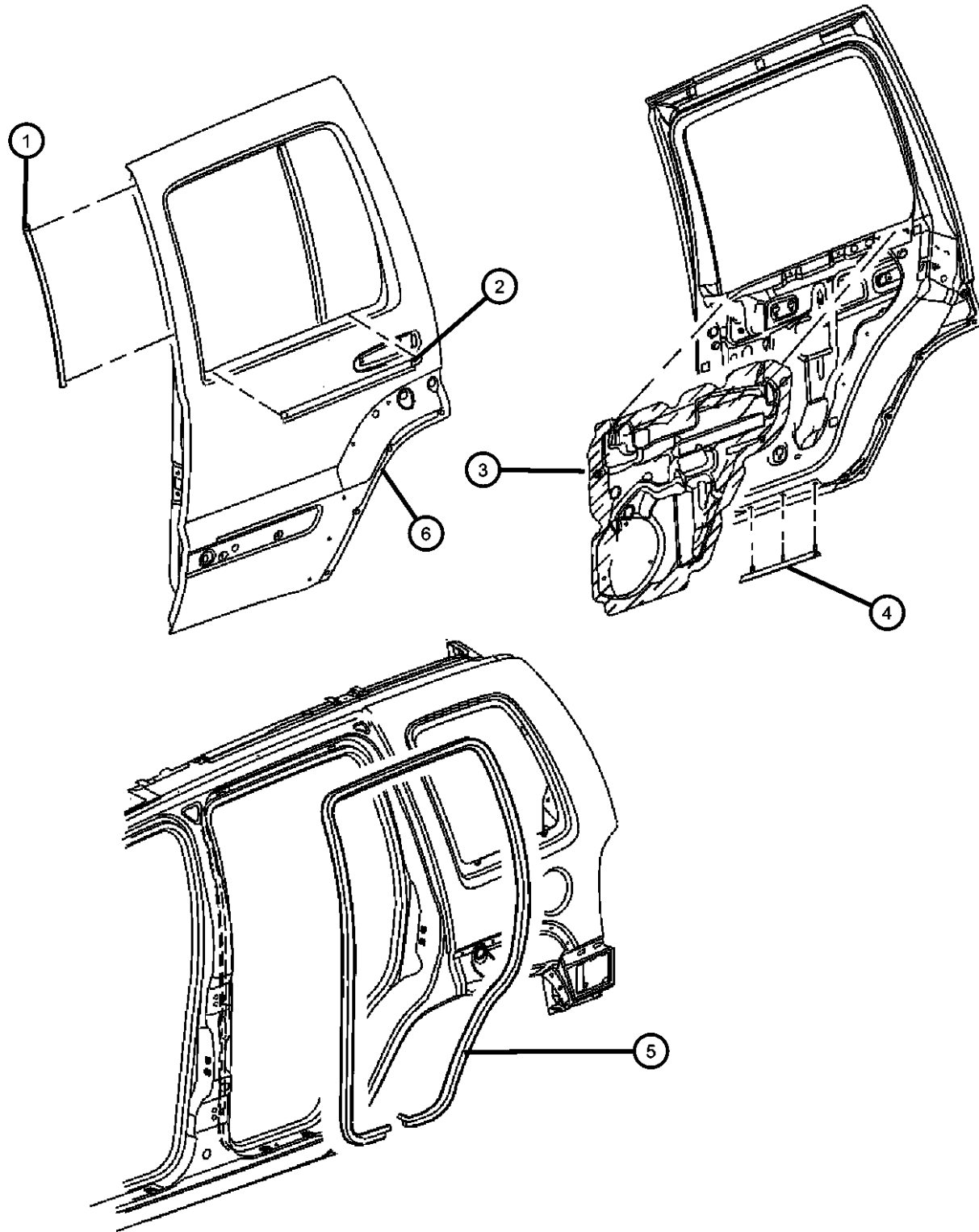
BODY  
74 = SPORT UTILITY 4-DR

ENGINE      TRANSMISSION  
EKG = 3.7L V6 Engine      DG6 = 4-Spd. Automatic 42RLE  
ENR = 2.8L 4 Cyl Turbo Diesel      Transmission  
Engine      DGV = 4-Spd. Automatic VLP  
ENJ = 2.5L 4 Cyl 16V Turbo      Transmission  
Diesel Engine      DGQ = 5-Spd Automatic 5-45RFE  
ED1 = 2.4L 4 Cyl DOHC 16v      Transmission  
SMPI Engine      DEH = 6-Speed Manual NSG370  
Transmission  
DDD = 5-Speed HD Manual  
Transmission  
DDK = 5-Speed HD Manual  
Transmission

AR = use ase required - = Non illustrated part

2006 KJ

Door, Rear  
Figure DKJ-620



ITEM	PART NUMBER	QTY	LINE	SERIES	BODY	ENGINE	TRANS	TRIM	DESCRIPTION
1	55360780AA	2							WEATHERSTRIP, B Pillar Secondary
2	55360644AD	1							WEATHERSTRIP, Belt Right
	55360645AD	1							Left
3	55235894AJ	1							WATERDAM, Rear Door Right
	55235895AJ	1							Left
4	55360664AA	2							SEAL, Rocker
5	55360964AA	2							WEATHERSEAL, Full Door To Body
6	55360254AA	1							SEAL, Moulding, Right Or Left

LIBERTY (KJ)

SERIES      LINE  
H = HIGHLINE    T = JEEP - 2WD  
M = MEDIUM     J = JEEP - 4WD  
P = PREMIUM    U = JEEP - 4WD (RHD)

BODY  
74 = SPORT UTILITY 4-DR

ENGINE      TRANSMISSION  
EKG = 3.7L V6 Engine      DG6 = 4-Spd. Automatic 42RLE  
ENR = 2.8L 4 Cyl Turbo Diesel      Transmission  
Engine      DGV = 4-Spd. Automatic VLP  
ENJ = 2.5L 4 Cyl 16V Turbo      Transmission  
Diesel Engine      DGQ = 5-Spd Automatic 5-45RFE  
ED1 = 2.4L 4 Cyl DOHC 16v      Transmission  
SMPI Engine      DEH = 6-Speed Manual NSG370  
Transmission  
DDD = 5-Speed HD Manual  
Transmission  
DDK = 5-Speed HD Manual  
Transmission

AR = use ase required - = Non illustrated part

2006 KJ

# Group - EKJ

## Exterior Ornamentation

### Group - EKJ Exterior Ornamentation

Group-Fig. No.

Illustration Title

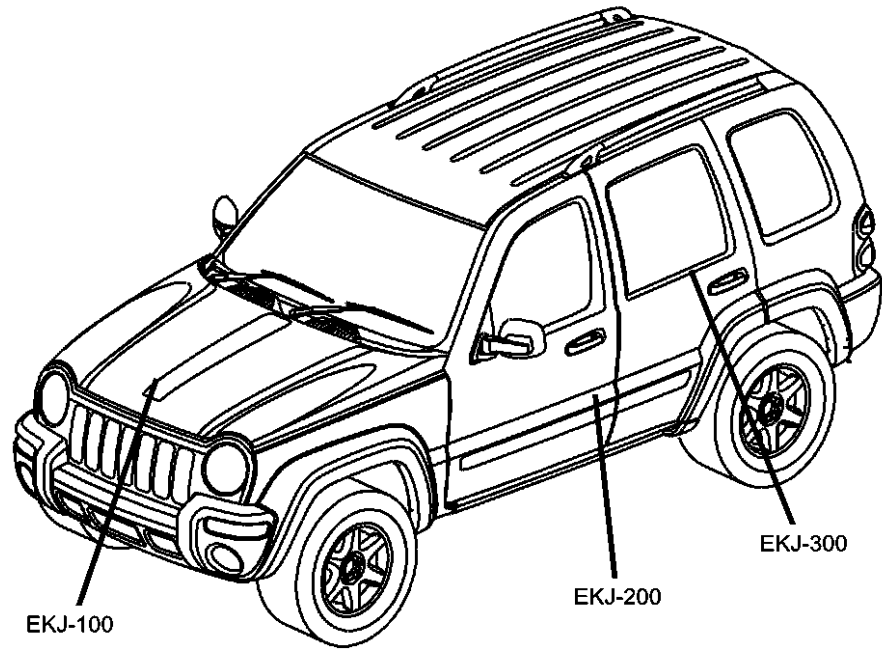
#### Nameplates

Nameplates ..... Fig. EKJ - 110

#### Moldings and Ornamentation

Molding and Fender Flares ..... Fig. EKJ - 210

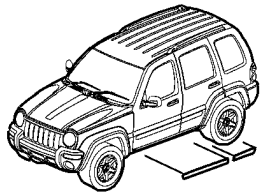
Side Rails, Tubular [MRK] ..... Fig. EKJ - 220



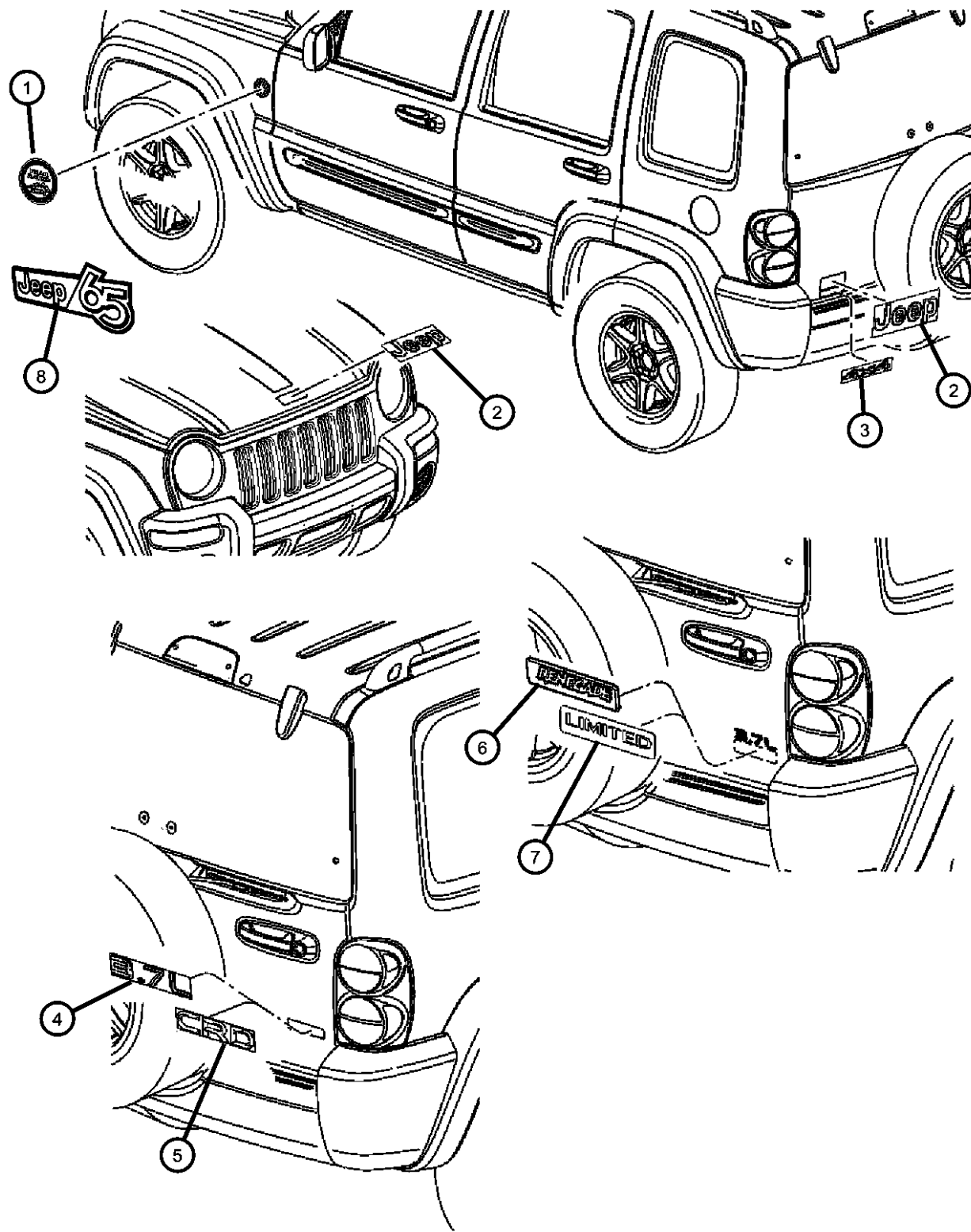
**EKJ-100**  
Nameplates



**EKJ-200**  
Moldings and Ornamentation



Nameplates  
Figure EKJ-110



ITEM	PART NUMBER	QTY	LINE	SERIES	BODY	ENGINE	TRANS	TRIM	DESCRIPTION
1	55157318AB	1							MEDALLION, Trail Rated
2	55157088AB	1							NAMEPLATE, Jeep
3	55157091AB	1							NAMEPLATE, 4X4
4	55157096AB	1							NAMEPLATE, 3.7L
5	55157095AB	1							NAMEPLATE, CRD
6	55157097AB	2							NAMEPLATE, Renegade
7	55157090AB	1							NAMEPLATE, Limited
8	55373001AA	2	J, T, U		74				NAMEPLATE, Anniversary Edition 65

LIBERTY (KJ)

SERIES

H = HIGHLINE  
M = MEDIUM  
P = PREMIUM

LINE

T = JEEP - 2WD  
J = JEEP - 4WD  
U = JEEP - 4WD (RHD)

BODY

74 = SPORT UTILITY 4-DR

ENGINE

EKG = 3.7L V6 Engine  
ENR = 2.8L 4 Cyl Turbo Diesel Engine  
ENJ = 2.5L 4 Cyl 16V Turbo Diesel Engine  
ED1 = 2.4L 4 Cyl DOHC 16v SMPI Engine

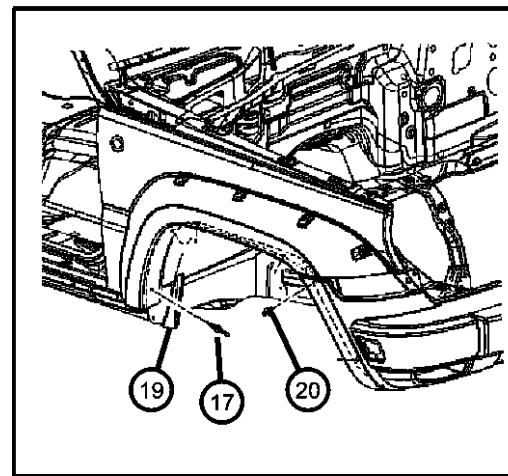
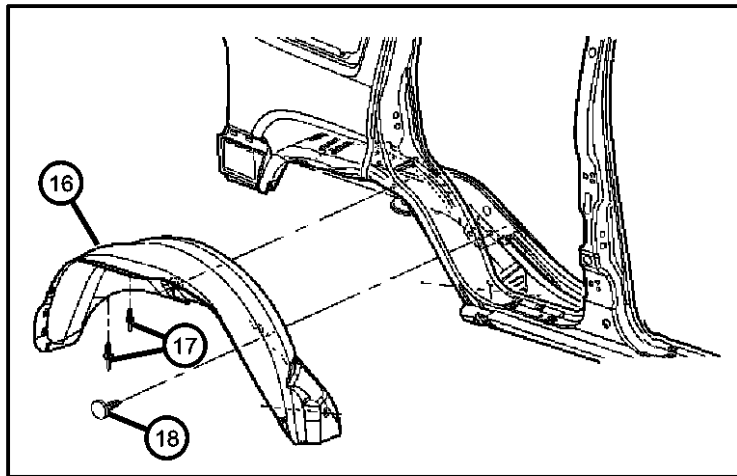
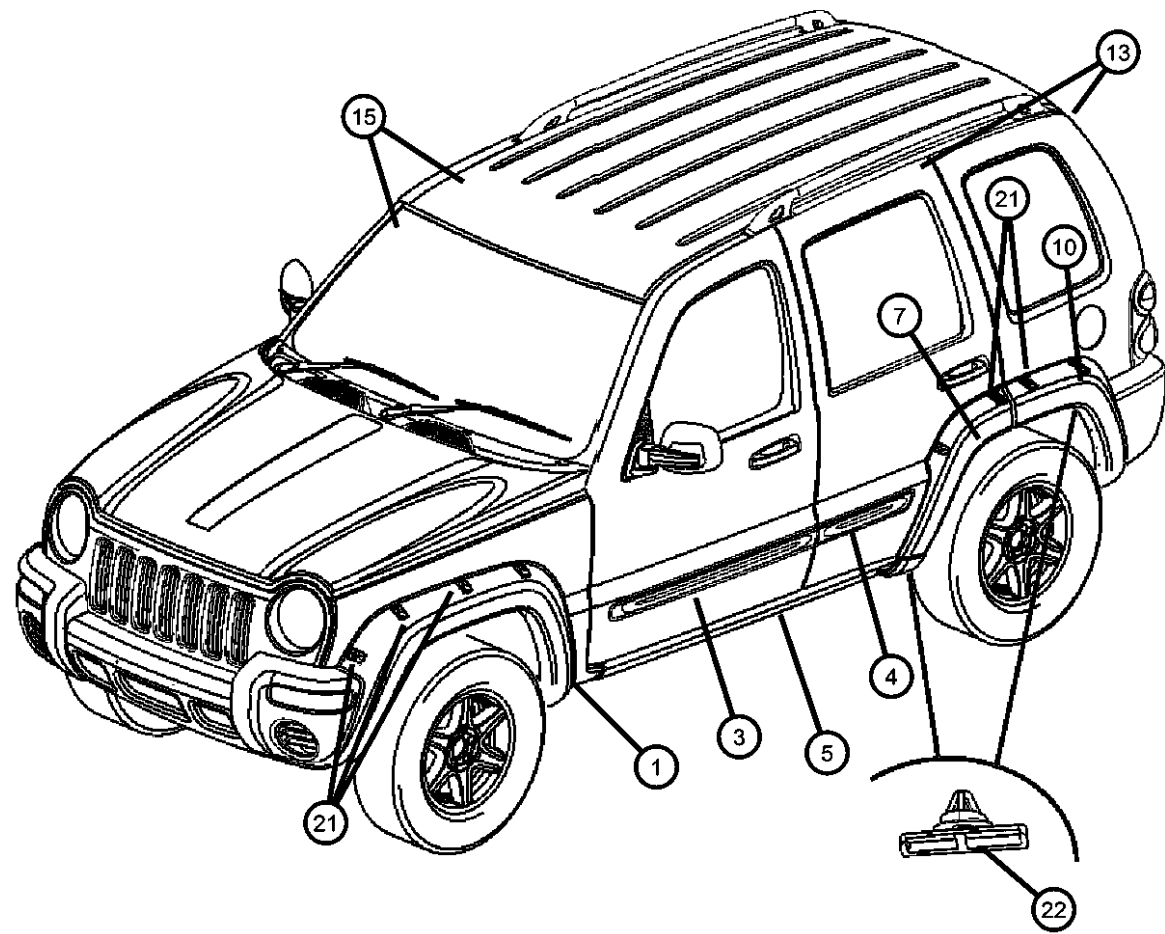
TRANSMISSION

DG6 = 4-Spd. Automatic 42RLE Transmission  
DGV = 4-Spd. Automatic VLP Transmission  
DGQ = 5-Spd Automatic 5-45RFE Transmission  
DEH = 6-Speed Manual NSG370 Transmission  
DDD = 5-Speed HD Manual Transmission  
DDK = 5-Speed HD Manual Transmission

AR = use ase required - = Non illustrated part

2006 KJ

Molding and Fender Flares  
Figure EKJ-210



ITEM	PART NUMBER	QTY	LINE	SERIES	BODY	ENGINE	TRANS	TRIM	DESCRIPTION
1									APPLIQUE, Fender Wheel Opening
	5JH42TZZAE	1	J, T, U		74				Paint as Required, Right
	5JH43TZZAE	1	J, T, U		74				Paint as Required, Left
	5JH47CJMAE	1							[K3E], Left
	5JR68CD7AG	1							[K8P], Right
	5JH46BDLAE	1							[K3L], Right
	5JH46CD7AE	1							[K3P], Right
	5JH46CJMAE	1							[K3E], Right
	5JH47BDLAE	1							[K3L], Left
	5JH47CD7AE	1							[K3P], Left
	5JR68CJMAG	1							[K8E], Right
	5JR69CD7AG	1							[K8P], Left
	5JR69CJMAG	1							[K8E], Left
-2	55157055AA	10							CLIP, Applique, Arrow Head
3									MOLDING, Front Door
	55156945AA	1	J, U	P					Cherokee-Chrome, Lower Left
	55156944AA	1	J, U	P					Cherokee-Chrome, Lower Right
	5JR87BDLAA	1							[K1L] -Liberty, Lower Left
	55156946AA	1	J, T	P					Liberty-Chrome, Lower Right
	55156947AA	1	J, T	P					Liberty-Chrome, Lower Left
	5JR86BDLAA	1							[K1L] -Liberty, Lower Right
	5JR86CD7AA	1							[K1P] -Liberty, Lower Right
	5JR86CJMAA	1							[K1E] -Liberty, Lower Right
	5JR87CD7AA	1							[K1P] -Liberty, Lower Left
	5JR87CJMAA	1							[K1E] -Liberty, Lower Left
	5JT06BDLAA	1							[K1L] -Cherokee, Lower Right
	5JT06CD7AA	1							[K1P] -Cherokee, Lower Right
	5JT06CJMAA	1							[K1E] -Cherokee, Lower Right
	5JT07BDLAA	1							[K1L] -Cherokee, Lower Left
	5JT07CD7AA	1							[K1P] -Cherokee, Lower Left

LIBERTY (KJ)

SERIES LINE  
 H = HIGHLINE T = JEEP - 2WD  
 M = MEDIUM J = JEEP - 4WD  
 P = PREMIUM U = JEEP - 4WD (RHD)

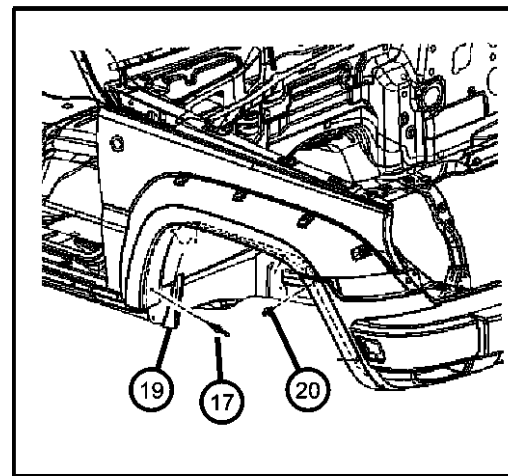
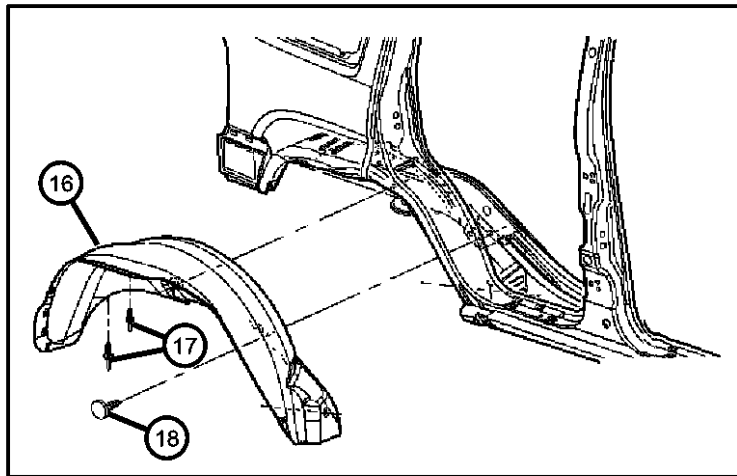
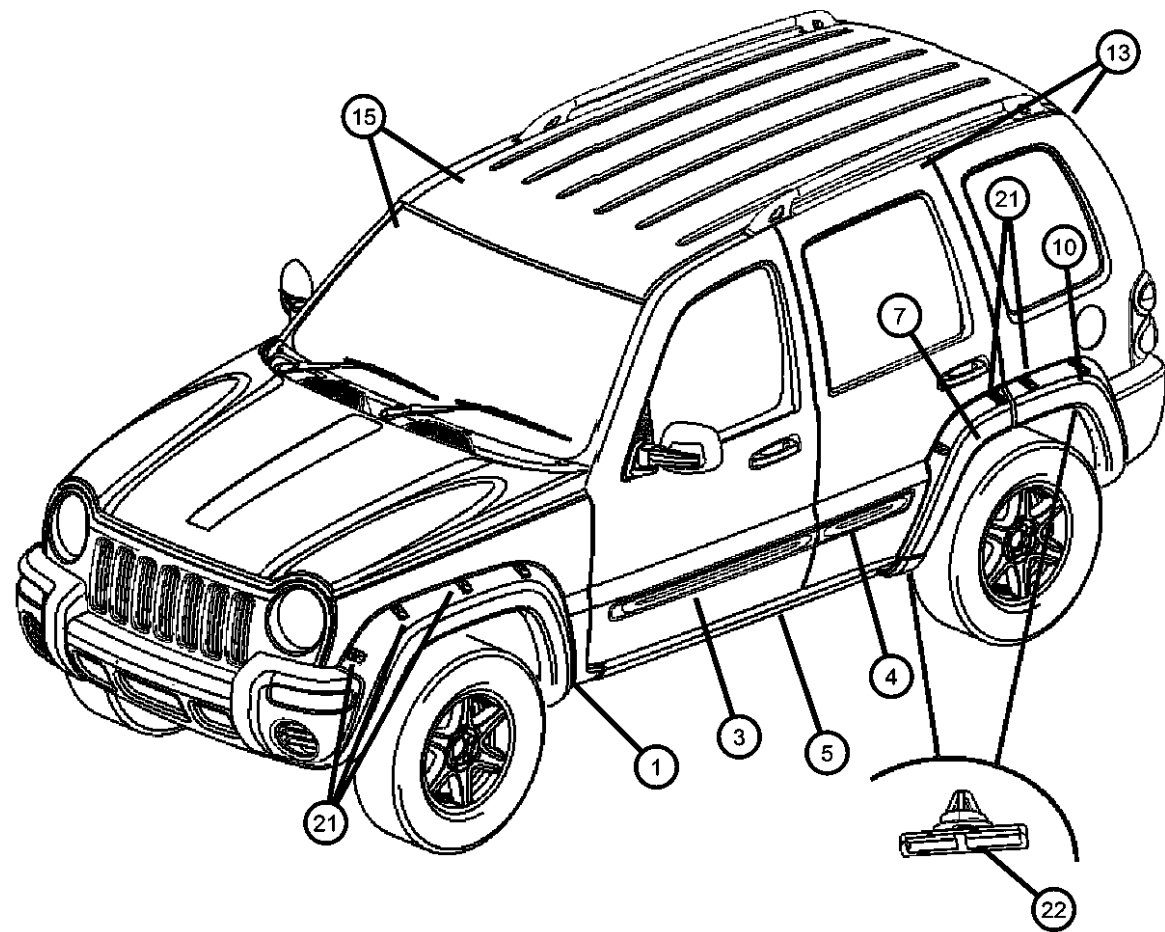
BODY  
 74 = SPORT UTILITY 4-DR

ENGINE TRANSMISSION  
 EKG = 3.7L V6 Engine DG6 = 4-Spd. Automatic 42RLE  
 ENR = 2.8L 4 Cyl Turbo Diesel Transmission  
 Engine DGV = 4-Spd. Automatic VLP  
 ENJ = 2.5L 4 Cyl 16V Turbo Transmission  
 Diesel Engine DGQ = 5-Spd Automatic 5-45RFE  
 ED1 = 2.4L 4 Cyl DOHC 16v Transmission  
 SMPI Engine DEH = 6-Speed Manual NSG370  
 Transmission  
 DDD = 5-Speed HD Manual  
 Transmission  
 DDK = 5-Speed HD Manual  
 Transmission

AR = use ase required - = Non illustrated part

2006 KJ

Molding and Fender Flares  
Figure EKJ-210



ITEM	PART NUMBER	QTY	LINE	SERIES	BODY	ENGINE	TRANS	TRIM	DESCRIPTION
4	5JT07CJMAA	1							[K1E] -Cherokee, Lower Left MOLDING, Rear Door
	55156948AA	1		P					Chrome, Lower Right
	55156949AA	1		P					Chrome, Lower Left
	5JR88BDLAA	1		H, M					[K1L], Right
	5JR88CD7AA	1		H, M					[K1P], Right
	5JR88CJMAA	1		H, M					[K1E], Right
	5JR89BDLAA	1		H, M					[K1L], Left
	5JR89CD7AA	1		H, M					[K1P], Left
	5JR89CJMAA	1		H, M					[K1E], Left
5									MOLDING, Side Sill
	5JH90XXXAF	1							Front, Right
	5JH91XXXAG	1							Front, Left
	5JH94XXXAE	1							Rear, Right
	5JH95XXXAF	1							Rear, Left
-6									PUSH PIN
	55157069AB	2							To Bodyside Upper
	55157070AC	3							To Bodyside Lower
7									APPLIQUE, Rear Door
	5JH56TZZAG	1							[K5D], Right
		1							[K5G], Right
		1							[K5K], Right
		1							[K5M], Right
		1							[K5S], Right
		1							[K5T], Right
		1							[K5W], Right
		1							[K5X], Right
		1							[K5C], Right
	5JH57TZZAG	1							[K5X], Left
		1							[K5W], Left

LIBERTY (KJ)

SERIES LINE BODY  
H = HIGHLINE T = JEEP - 2WD 74 = SPORT UTILITY 4-DR  
M = MEDIUM J = JEEP - 4WD  
P = PREMIUM U = JEEP - 4WD (RHD)

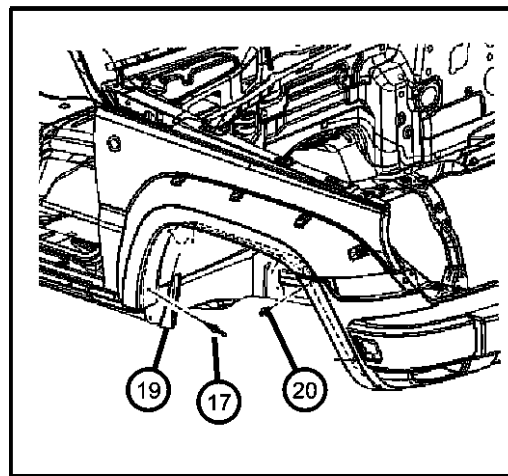
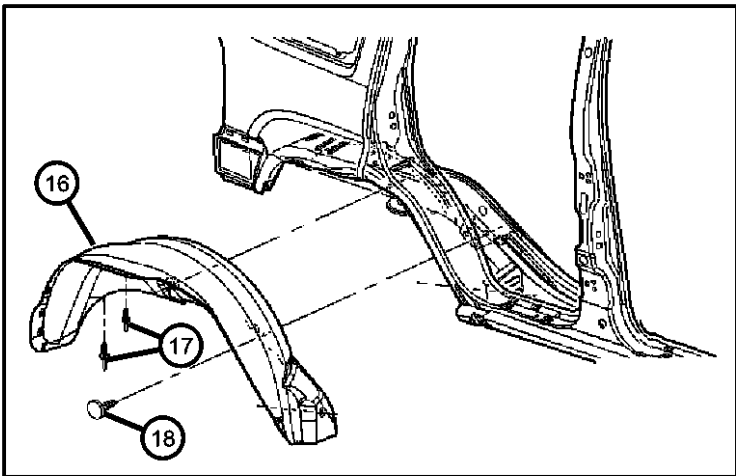
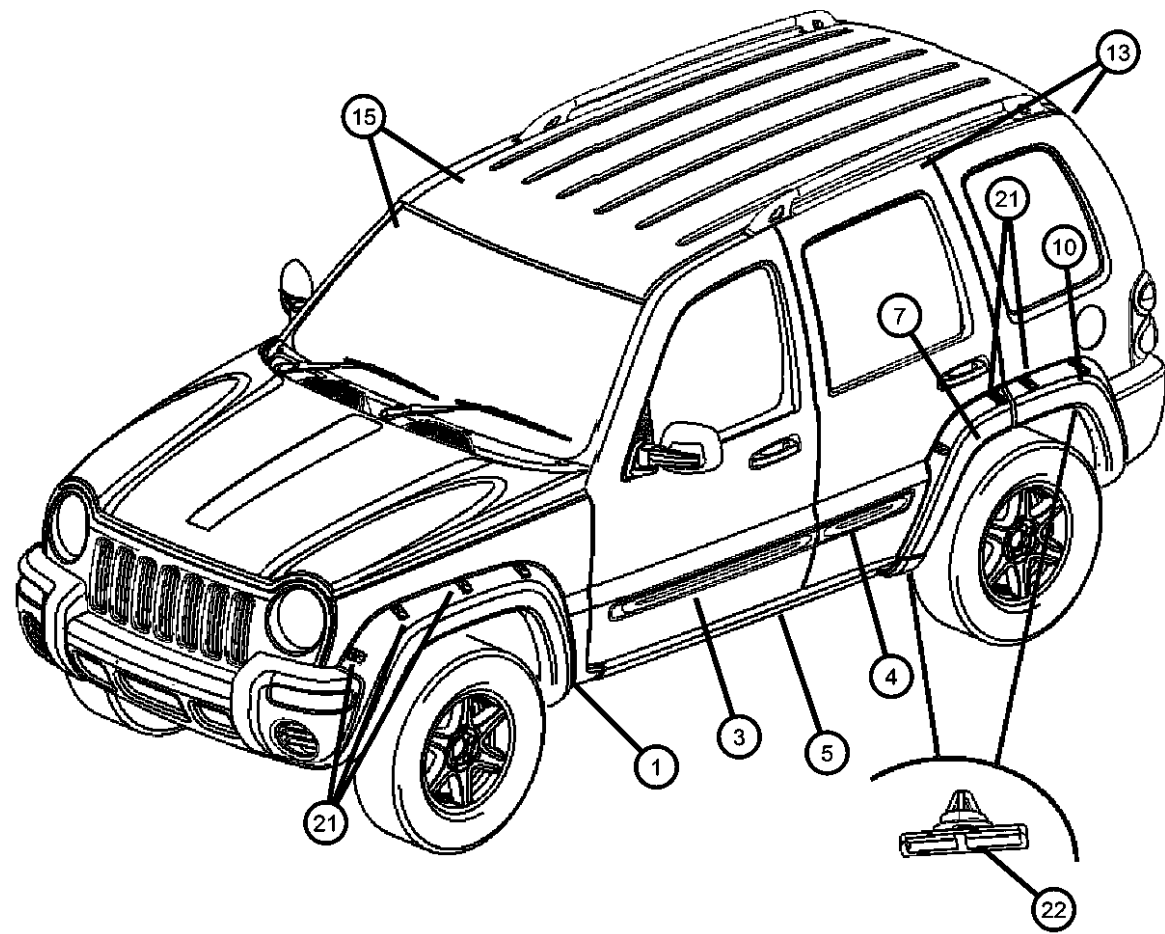
BODY  
74 = SPORT UTILITY 4-DR

ENGINE TRANSMISSION  
EKG = 3.7L V6 Engine DG6 = 4-Spd. Automatic 42RLE  
ENR = 2.8L 4 Cyl Turbo Diesel Engine Transmission  
ENJ = 2.5L 4 Cyl 16V Turbo Diesel Engine DGV = 4-Spd. Automatic VLP  
Transmission  
ED1 = 2.4L 4 Cyl DOHC 16v Diesel Engine DGQ = 5-Spd Automatic 5-45RFE  
Transmission  
SMPI Engine DEH = 6-Speed Manual NSG370  
Transmission  
DDD = 5-Speed HD Manual Transmission  
DDK = 5-Speed HD Manual Transmission

AR = use ase required - = Non illustrated part

2006 KJ

Molding and Fender Flares  
Figure EKJ-210



ITEM	PART NUMBER	QTY	LINE	SERIES	BODY	ENGINE	TRANS	TRIM	DESCRIPTION
		1							[K5T], Left
		1							[K5S], Left
		1							[K5M], Left
		1							[K5K], Left
		1							[K5G], Left
		1							[K5D], Left
		1							[K5C], Left
	5JH84BDLAG	1							[K3L], Right
	5JH85BDLAG	1							[K3L], Left
	5JR72CD7AH	1							[K8P], Right
	5JR72CJMAH	1							[K8E], Right
	5JR73CJMAH	1							[K8E], Left
	5JR73CD7AH	1							[K8P], Left
-8									CLIP, Applique, Arrow Head
	55157055AA	5							Flare to Rear Door
		5							Rear Door Flare to Rear Door
-9	55360254AA	1							SEAL, Moulding, Rear Door Flare
10									APPLIQUE, Rear Wheel Opening
	5JH68TZZAD	1		J, T, U	74				Paint as Required, Right
	5JH69TZZAD	1		J, T, U	74				Paint as Required, Left
	5JH72BDLAD	1							[K3L], Right
	5JH72CD7AD	1							[K3P], Right
	5JH72CJMAD	1		J, T, U	74				[K3E], Right
	5JH73BDLAD	1							[K3L], Left
	5JH73CD7AD	1							[K3P], Left
	5JH73CJMAD	1		J, T, U	74				[K3E], Left
	5JR70CD7AF	1							[K8P], Right
	5JR70CJMAF	1							[K8E], Right
	5JR71CD7AF	1							[K8P], Left
	5JR71CJMAF	1							[K8E], Left

**LIBERTY (KJ)**  
**SERIES**  
H = HIGHLINE  
M = MEDIUM  
P = PREMIUM

**LINE**  
T = JEEP - 2WD  
J = JEEP - 4WD  
U = JEEP - 4WD (RHD)

**BODY**  
74 = SPORT UTILITY 4-DR

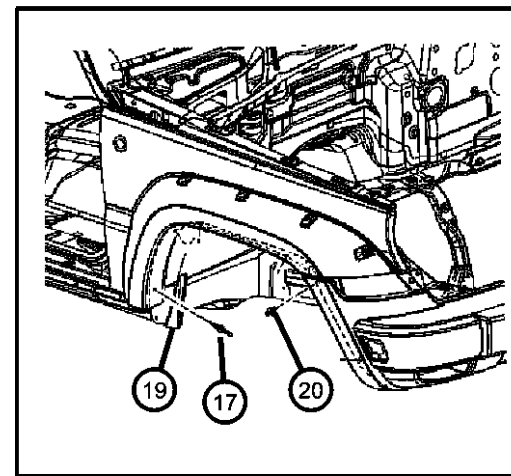
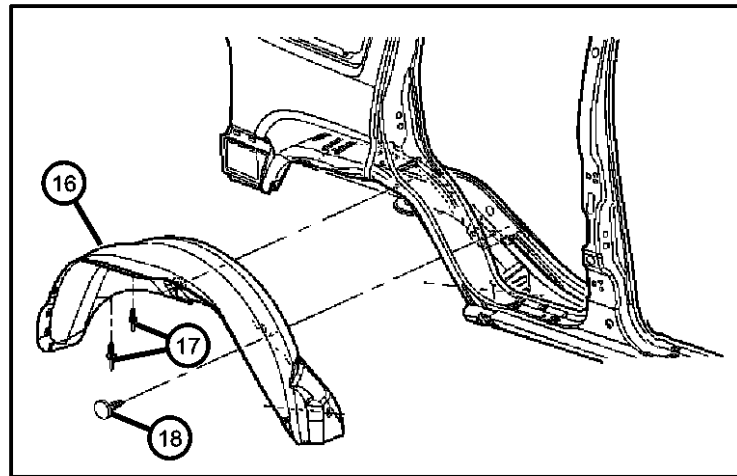
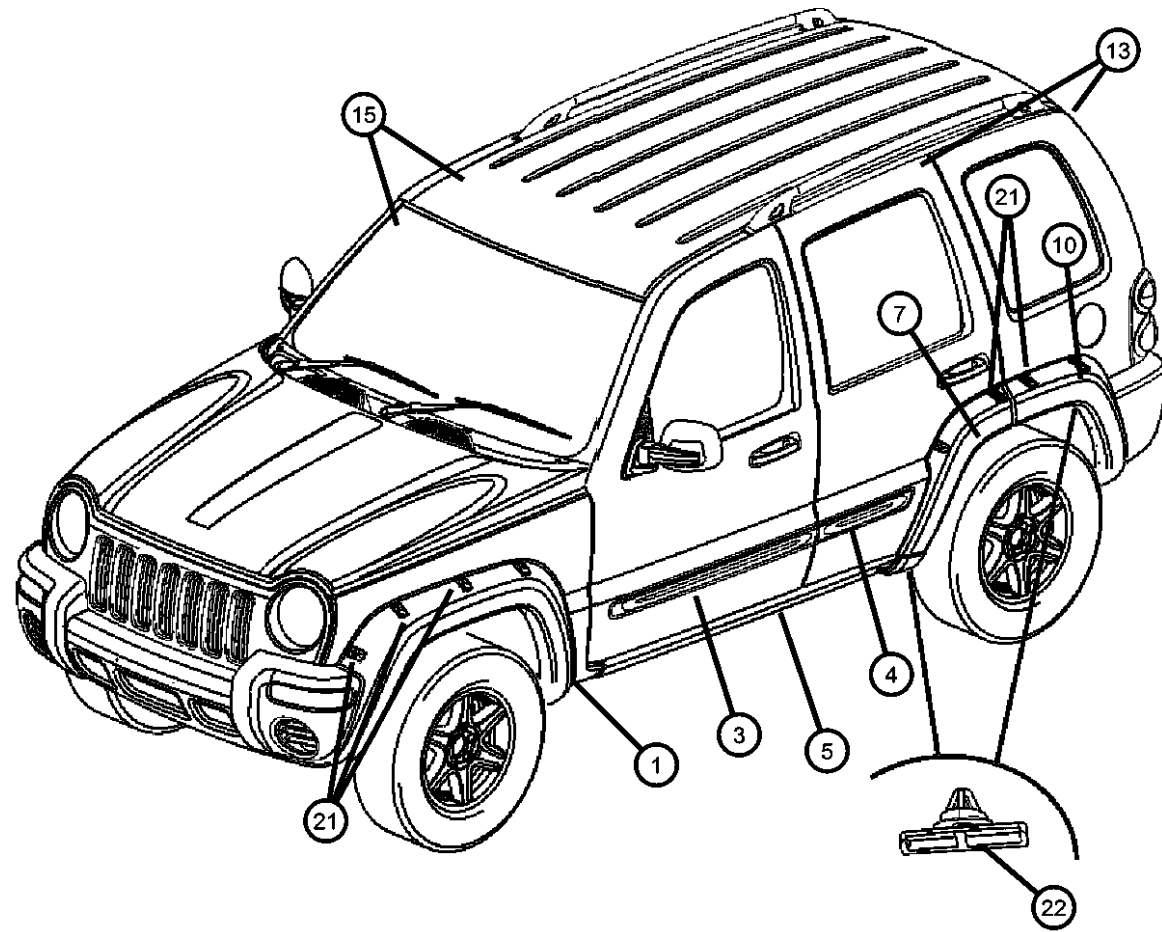
**ENGINE**  
EKG = 3.7L V6 Engine  
ENR = 2.8L 4 Cyl Turbo Diesel Engine  
ENJ = 2.5L 4 Cyl 16V Turbo Diesel Engine  
ED1 = 2.4L 4 Cyl DOHC 16v SMPI Engine

**TRANSMISSION**  
DG6 = 4-Spd. Automatic 42RLE Transmission  
DGV = 4-Spd. Automatic VLP Transmission  
DGQ = 5-Spd Automatic 5-45RFE Transmission  
DEH = 6-Speed Manual NSG370 Transmission  
DDD = 5-Speed HD Manual Transmission  
DDK = 5-Speed HD Manual Transmission

AR = use ase required - = Non illustrated part



Molding and Fender Flares  
Figure EKJ-210



ITEM	PART NUMBER	QTY	LINE	SERIES	BODY	ENGINE	TRANS	TRIM	DESCRIPTION
-11	55156429AA	2							RETAINER, Applique, Rear Flare to Rear Fascia
-12									CLIP, Applique, Arrow Head
	55157055AA	5							Flare to Quarter
		5							Rear Flare to Bodyside
13									MOLDING, Roof
	55360174AC	1							With Rack, Right
	55360175AC	1							With Rack, Left
	55360176AE	1							Without Rack, Right
	55360177AE	1							Without Rack, Left
-14	00153732	4							SCREW, .164-15x.500, Roof Molding
15									MOLDING, A-PILLAR
	55360688AC	1							Windshield-Right
	55360689AC	1							Windshield-Left
16									LINER, Fender Side
	55360146AD	1							Right
	55360147AD	1							Left
17									RIVET
	06506007AA	8							Flare to Body Side, Rear
		8							Flare to Fascia, Front
		2							Flare to Fascia, Rear
18									PIN, Push
	06036155AA	8							Front
		6							Rear
19									LINER, Front Fender
	55156790AD	1							Right
	55156791AD	1							Left
20	06503598	4							PIN, Push, M8x21, Liner to Fascia
21	05140834AB	2	J, T, U		74				ORNAMENT, Wheel Flare, Package of 5
22	55157055AA	10							CLIP, Applique, Arrow Head

LIBERTY (KJ)

SERIES      LINE  
H = HIGHLINE    T = JEEP - 2WD  
M = MEDIUM     J = JEEP - 4WD  
P = PREMIUM     U = JEEP - 4WD (RHD)

BODY  
74 = SPORT UTILITY 4-DR

ENGINE  
EKG = 3.7L V6 Engine  
ENR = 2.8L 4 Cyl Turbo Diesel Engine  
ENJ = 2.5L 4 Cyl 16V Turbo Diesel Engine  
ED1 = 2.4L 4 Cyl DOHC 16v SMPI Engine

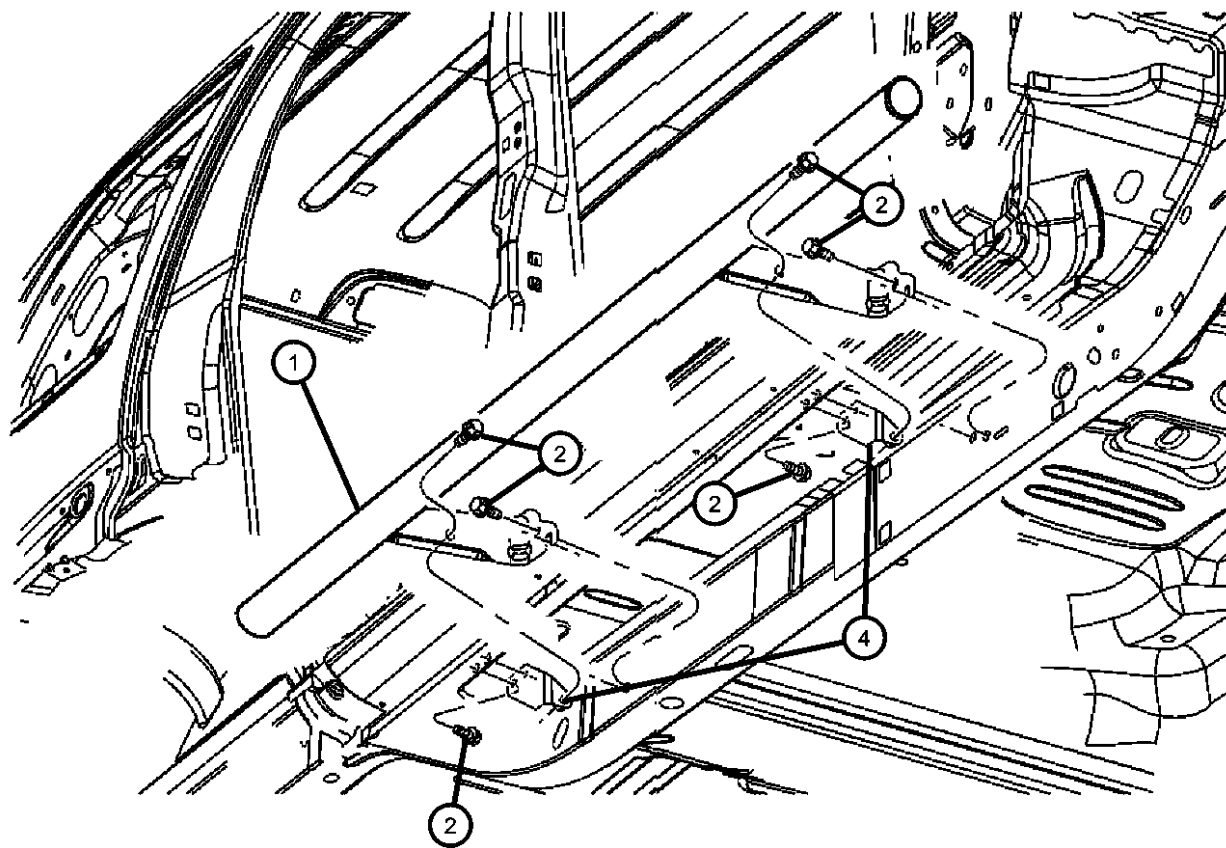
TRANSMISSION  
DG6 = 4-Spd. Automatic 42RLE Transmission  
DGV = 4-Spd. Automatic VLP Transmission  
DGQ = 5-Spd Automatic 5-45RFE Transmission  
DEH = 6-Speed Manual NSG370 Transmission  
DDD = 5-Speed HD Manual Transmission  
DDK = 5-Speed HD Manual Transmission

AR = use ase required - = Non illustrated part

2006 KJ

**Side Rails, Tubular [MRK]  
Figure EKJ-220**

ITEM	PART NUMBER	QTY	LINE	SERIES	BODY	ENGINE	TRANS	TRIM	DESCRIPTION
1	5KF74BS2AB	1							RAIL, Rocker Panel [K9A], Right
	5KF75BS2AB	1							[K9A], Left
2	06100592	8							SCREW, M8x1.25x30
-3	06507091AA	8							RIVNUT, Installation, M8x1.25x17.78, Rail Bracket to Frame
4									BRACKET, Side Rail
	55360704AA	2							Right
	55360705AA	2							Left



**LIBERTY (KJ)**

SERIES      LINE  
H = HIGHLINE    T = JEEP - 2WD  
M = MEDIUM     J = JEEP - 4WD  
P = PREMIUM    U = JEEP - 4WD (RHD)

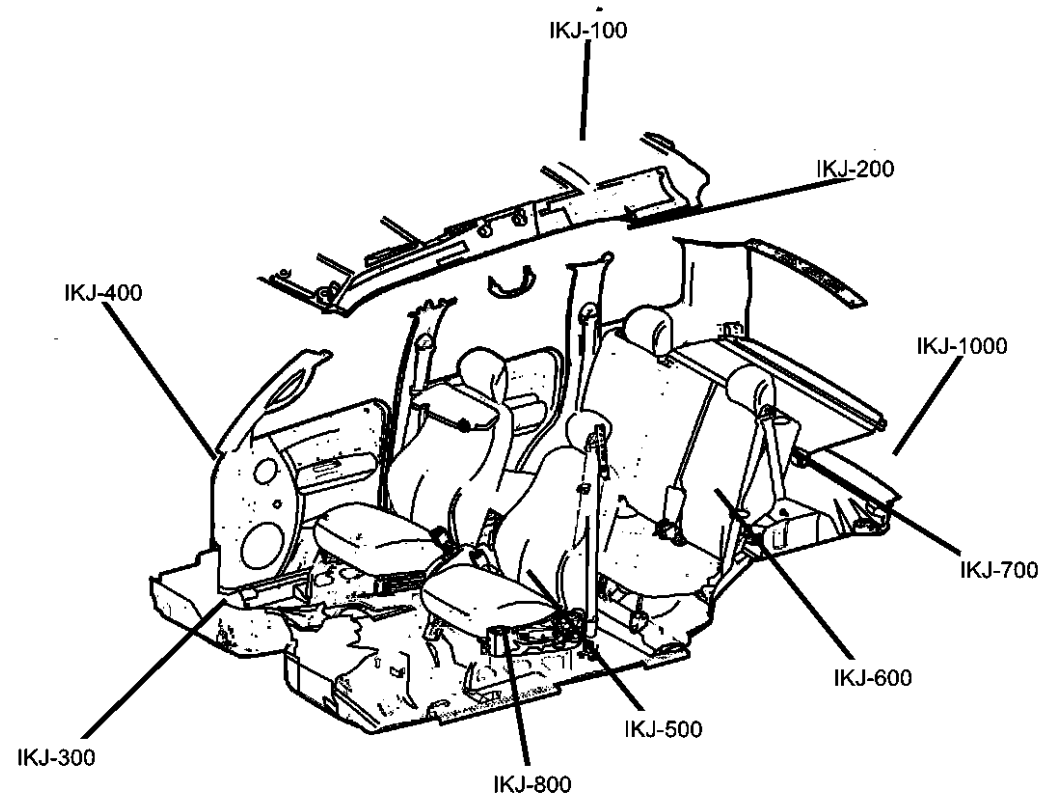
BODY  
74 = SPORT UTILITY 4-DR

ENGINE      TRANSMISSION  
EKG = 3.7L V6 Engine      DG6 = 4-Spd. Automatic 42RLE  
ENR = 2.8L 4 Cyl Turbo Diesel Engine      DGV = 4-Spd. Automatic VLP  
ENJ = 2.5L 4 Cyl 16V Turbo Diesel Engine      DGQ = 5-Spd Automatic 5-45RFE  
ED1 = 2.4L 4 Cyl DOHC 16v SMPI Engine      DEH = 6-Speed Manual NSG370  
Transmission  
DDD = 5-Speed HD Manual Transmission  
DDK = 5-Speed HD Manual Transmission

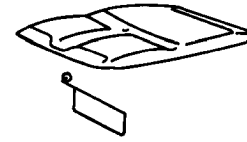
AR = use ase required    - = Non illustrated part

# Group - IKJ

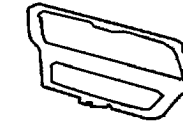
## Interior Trim



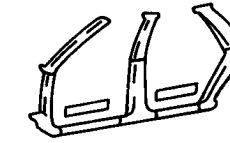
**IKJ-100**  
Headliner and Visor



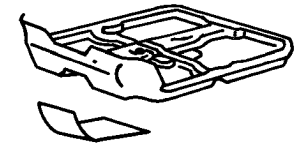
**IKJ-1000**  
Lift Gate Trim



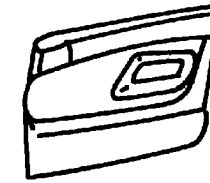
**IKJ-200**  
Moldings, Scuff Plates



**IKJ-300**  
Carpet



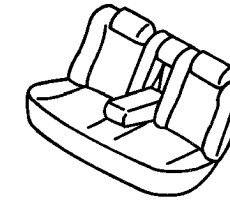
**IKJ-400**  
Door Trim Panels



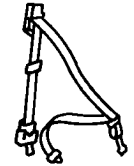
**IKJ-500**  
Front Seats and Attaching Parts



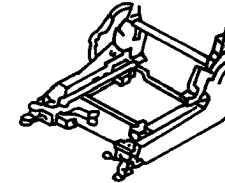
**IKJ-600**  
Rear Seats and Attaching Parts



**IKJ-700**  
Seat Belts-Front and Rear



**IKJ-800**  
Adjusters, Covers, Shields, and Risers



---

## Group - IKJ Interior Trim

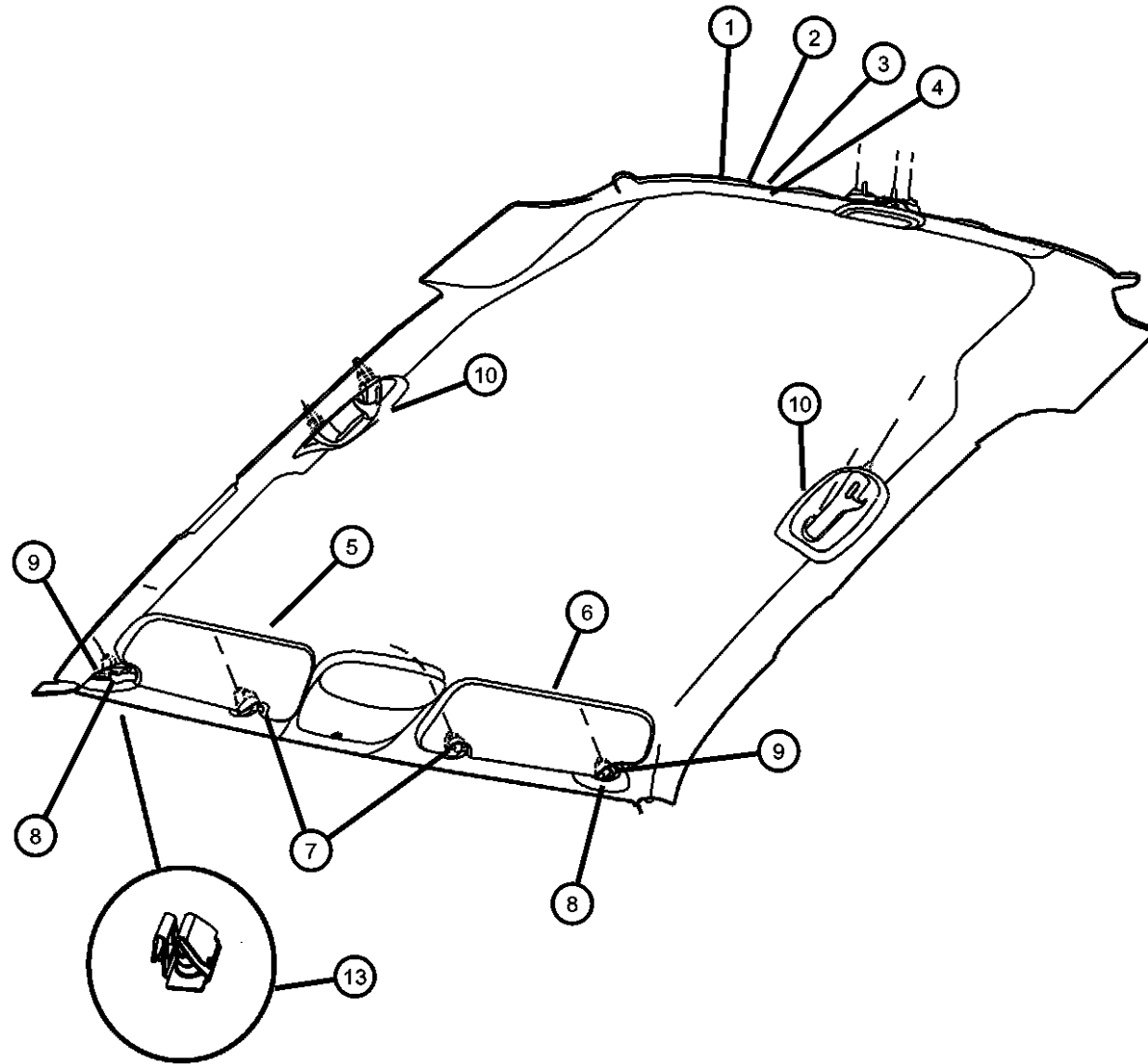
Illustration Title	Group-Fig. No.
<b>Headliner and Visor</b>	
Headliner and Visors.....	Fig. IKJ - 110
<b>Moldings, Scuff Plates</b>	
Panels, Interior Trim, Front.....	Fig. IKJ - 210
Panels, Interior Trim, Rear.....	Fig. IKJ - 220
<b>Carpet</b>	
Carpets and Mats.....	Fig. IKJ - 310
Cargo Organizer.....	Fig. IKJ - 320
<b>Door Trim Panels</b>	
Trim Panel, Front Door.....	Fig. IKJ - 410
Trim Panel, Rear Door.....	Fig. IKJ - 420
<b>Front Seats and Attaching Parts</b>	
Front Seat, Leather, Low Back, Trim Code [DL].....	Fig. IKJ - 510
Front Seat, Cloth, High Back, Trim Code [N5].....	Fig. IKJ - 520
Front Seat, Cloth, High Back, Trim Code [B5].....	Fig. IKJ - 530
Front Seat, Cloth, High Back, Trim Code [A5].....	Fig. IKJ - 540
Front Seat, Cloth, Low Back, Trim Code [B7].....	Fig. IKJ - 550
Front Seat, Cloth, Low Back, Trim Code [J7].....	Fig. IKJ - 560
Front Seat, Cloth, Low Back, Trim Code [L7].....	Fig. IKJ - 570
Front Seat, Cloth, Low Back, Trim Code [Y5].....	Fig. IKJ - 580
<b>Rear Seats and Attaching Parts</b>	
Rear Seat, Trim Code [DL].....	Fig. IKJ - 610
Rear Seat, Trim Code [N5].....	Fig. IKJ - 620
Rear Seat, Trim Code [B5].....	Fig. IKJ - 630
Rear Seat, Trim Code [B7].....	Fig. IKJ - 640
Rear Seat, Trim Code [J7].....	Fig. IKJ - 650
Rear Seat, Trim Code [L7].....	Fig. IKJ - 660
Rear Seat, Trim Code [Y5].....	Fig. IKJ - 670
Rear Seat, Trim Code [A5].....	Fig. IKJ - 680
<b>Seat Belts-Front and Rear</b>	
Seat Belts, Front.....	Fig. IKJ - 710
Seat Belts, Rear.....	Fig. IKJ - 720
<b>Adjusters, Covers, Shields, and Risers</b>	
Recliners, Adjusters, Risers.....	Fig. IKJ - 810
<b>Lift Gate Trim</b>	
Swing Gate Trim Panel.....	Fig. IKJ - 1010

**Headliner and Visors**  
**Figure IKJ-110**

ITEM	PART NUMBER	QTY	LINE	SERIES	BODY	ENGINE	TRANS	TRIM	DESCRIPTION
------	-------------	-----	------	--------	------	--------	-------	------	-------------

Sales Codes:

- [AHM] = Convenience Group 1
- [CGS] = Side Air Bags
- [CUD] = Console, Mini Overhead
- [GNA] = Prismatic
- [GNK] = Electrochromic
- [GWA] = Power Sunroof
- [LSC] = Security Alarm
- [RSP] = Hands Free Communication



1									HEADLINER, With Sunroof [GWA]
	1AZ75BD1AA	1	J, T					*00	Up To 8-31-05 Without [CUD] Overhead Console, and [CGS] Side Air Bags
	1AZ76BD1AA	1	J, U					*00	Up To 8-31-05 With [CUD] Overhead Console Only
	1AZ77BD1AA	1	J, T					*00	Up To 8-31-05 With [CUD] Overhead Console, [GKN] Auto Dim Mirror and [RSP] Hands Free Communication
	1AZ82BD1AA	1	J, T					*00	Up To 8-31-05 Without [CUD] Overhead Console, and with [CGS] Side Air Bags
	1AZ84BD1AA	1	J, T					*00	Up To 8-31-05 With [CUD] Overhead Console, [CGS] Side Air Bags, [GKN] Auto Dim Mirror, and [RSP] Hands Free Communication
	1AZ86BD1AA	1	J, T					*00	Up To 8-31-05 With [CUD] Overhead Console, [GKN] Auto Dim Mirror, Without [CGS] Side Air Bags
	1AZ88BD1AA	1	J, T					*00	Up To 8-31-05 With [CUD] Overhead Console, [GKN] Auto Dim Mirror, and [CGS] Side Air Bags
	1AZ83BD1AA	1	J, U					*00	Up To 8-31-05 With [CUD] Overhead Console, [CGS] Side Air Bags, Without [GKN] Auto Dim Mirror
	1ED43BD1AA	1	J, T					*00	After 8-31-05 Without [CUD] Overhead Console, and with [CGS] Side Air Bags

**LIBERTY (KJ)**

- |              |                      |
|--------------|----------------------|
| SERIES       | LINE                 |
| H = HIGHLINE | T = JEEP - 2WD       |
| M = MEDIUM   | J = JEEP - 4WD       |
| P = PREMIUM  | U = JEEP - 4WD (RHD) |

- BODY**  
74 = SPORT UTILITY 4-DR

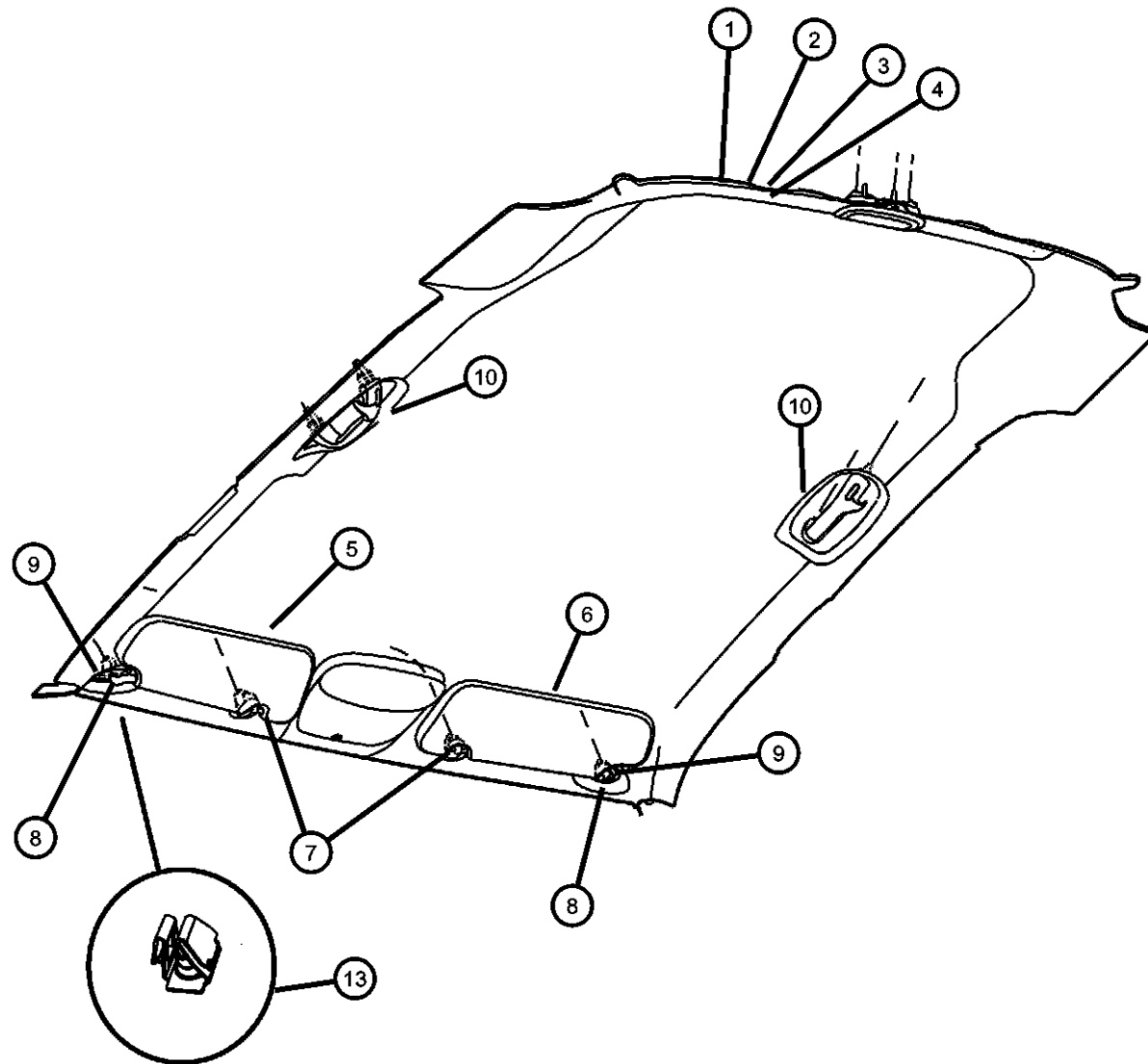
- ENGINE**  
EKG = 3.7L V6 Engine  
ENR = 2.8L 4 Cyl Turbo Diesel Engine  
ENJ = 2.5L 4 Cyl 16V Turbo Diesel Engine  
ED1 = 2.4L 4 Cyl DOHC 16v SMPI Engine

- TRANSMISSION**  
DG6 = 4-Spd. Automatic 42RLE Transmission  
DGV = 4-Spd. Automatic VLP Transmission  
DGQ = 5-Spd Automatic 5-45RFE Transmission  
DEH = 6-Speed Manual NSG370 Transmission  
DDD = 5-Speed HD Manual Transmission  
DDK = 5-Speed HD Manual Transmission

AR = use ase required - = Non illustrated part

2006 KJ

**Headliner and Visors  
Figure IKJ-110**

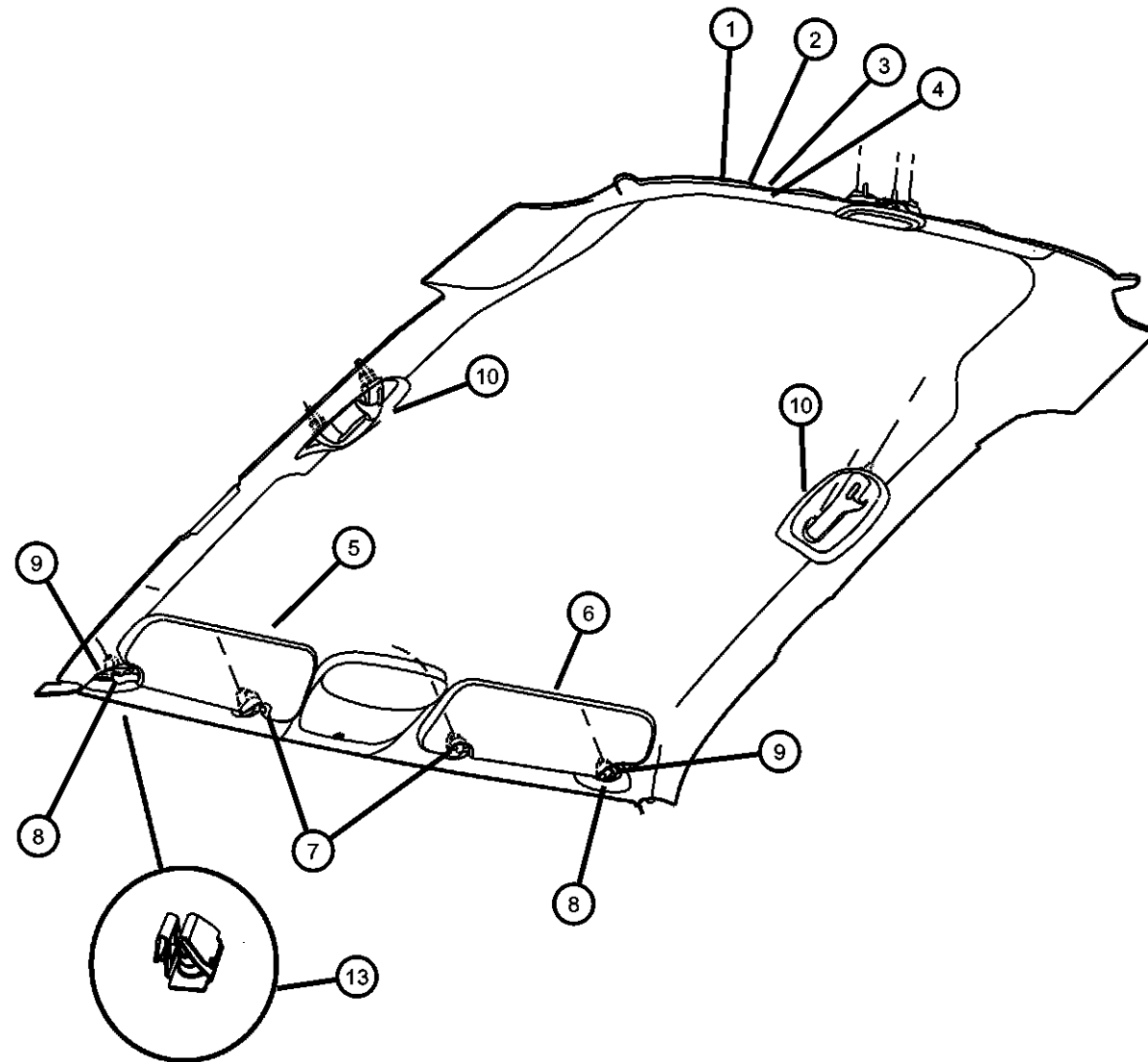


ITEM	PART NUMBER	QTY	LINE	SERIES	BODY	ENGINE	TRANS	TRIM	DESCRIPTION
	1ED45BD1AA	1	J, T					*O0	After 8-31-05 With [CUD] Overhead Console,[CGS] Side Air Bags,[GKN] Auto Dim Mirror, and [RSP] Hands Free Communication
	1ET47BD1AA	1	J, T					*O0	After 8-31-05 Without [CUD] Overhead Console,and [CGS] Side Air Bags
	1ET52BD1AA	1	J, T					*O0	After 8-31-05 With [CUD] Overhead Console, [GKN] Auto Dim Mirror and [RSP] Hands Free Communication
	1ET61BD1AA	1	J, T					*O0	After 8-31-05 With [CUD] Overhead Console, [CGS] Side Air Bags, Without [GKN] Auto Dim Mirror
	1ET64BD1AA	1	J, T					*O0	After 8-31-05 With [CUD] Overhead Console Only
	1ET79BD1AA	1	J, T					*O0	After 8-31-05 With[CUD] Overhead Console,[GKN] Auto Dim Mirror, Without [CGS] Side Air Bags
	1ET82BD1AA	1	J, T					*O0	After 8-31-05 With [CUD] Overhead Console, [GKN] Auto Dim Mirror,and [CGS] Side Air Bags
2									HEADLINER, Without Sunroof [GWA]
	1AZ72BD1AA	1	J, T					*O0	Up To 8-31-05 With [AHM] Convenience Group 1, Without [CGS] Side Airbags,and [CUD] Overhead Console
	1AZ73BD1AA	1	J, T					*O0	Up To 8-31-05 With [AHM] Convenience Group 1, and [CUD] Overhead Console
	1AZ74BD1AA	1	J, T					*O0	Up to 8-31-05 With [AHM] Convenience Group 1, and [CUD] Overhead Console,[GNK] Auto Dim Mirror,[RSP] U-Connect Hands Free Communication,Without [CGS] Side Air Bags.

<b>LIBERTY (KJ)</b>				
SERIES	LINE	BODY	ENGINE	TRANSMISSION
H = HIGHLINE	T = JEEP - 2WD	74 = SPORT UTILITY 4-DR	EKG = 3.7L V6 Engine	DG6 = 4-Spd. Automatic 42RLE Transmission
M = MEDIUM	J = JEEP - 4WD		ENR = 2.8L 4 Cyl Turbo Diesel Engine	DGV = 4-Spd. Automatic VLP Transmission
P = PREMIUM	U = JEEP - 4WD (RHD)		ENJ = 2.5L 4 Cyl 16V Turbo Diesel Engine	DGQ = 5-Spd Automatic 5-45RFE Transmission
			ED1 = 2.4L 4 Cyl DOHC 16v SMPI Engine	DEH = 6-Speed Manual NSG370 Transmission
				DDD = 5-Speed HD Manual Transmission
				DDK = 5-Speed HD Manual Transmission

AR = use ase required - = Non illustrated part

**Headliner and Visors  
Figure IKJ-110**

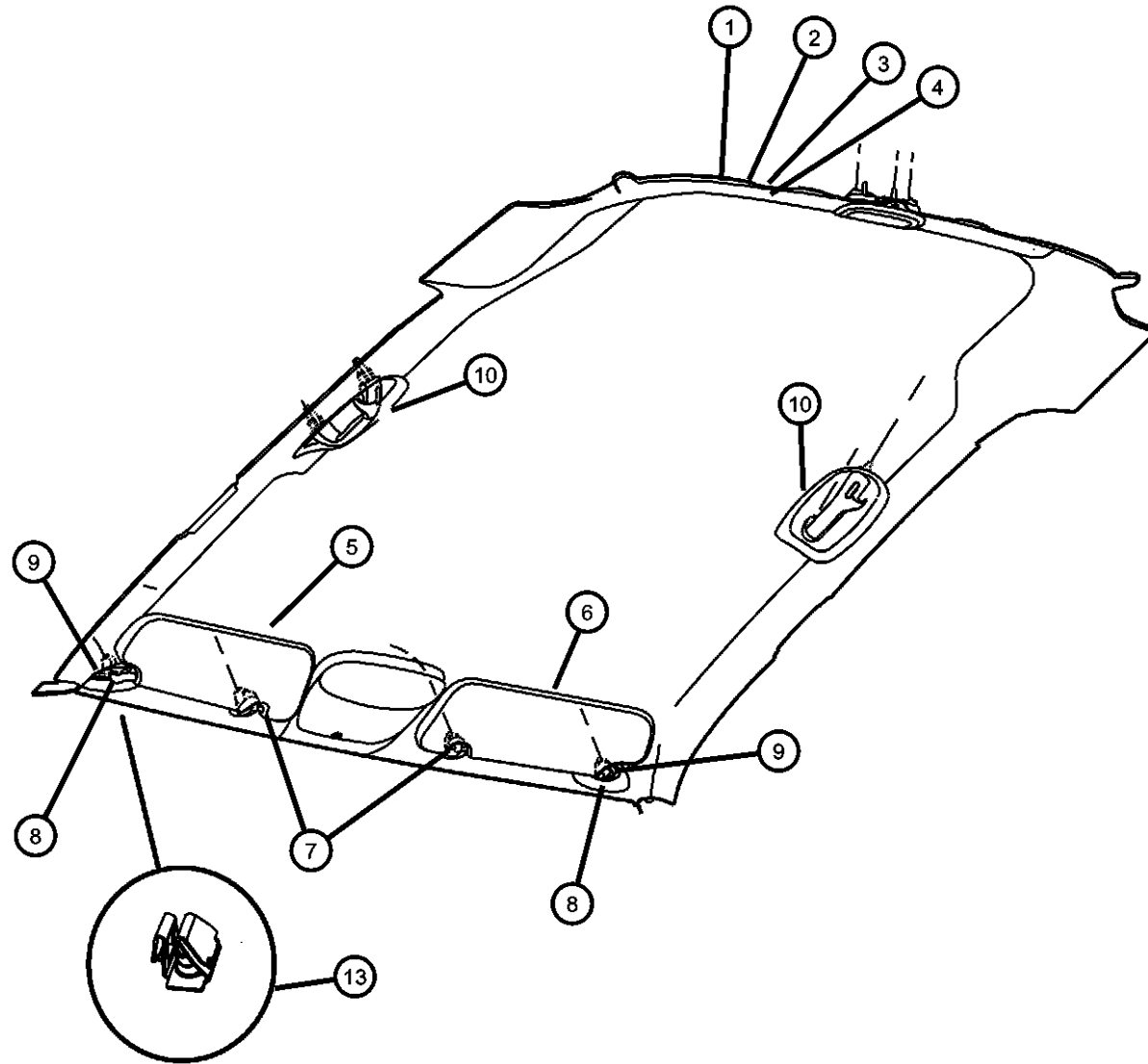


ITEM	PART NUMBER	QTY	LINE	SERIES	BODY	ENGINE	TRANS	TRIM	DESCRIPTION
	1AZ85BD1AA	1	J, T					*O0	Up To 8-31-05 With [AHM] Convenience Group 1, [CUD] Overhead Console, [GKN] Auto Dim Mirror, Without [CGS] Side Air Bags
	1AZ78BD1AA	1	J, T					*O0	Without [AHM] Convenience Group 1, [CUD] Overhead Console, With [CGS] Side Air Bags
	1AZ79BD1AA	1	J, T					*O0	Up To 8-31-05 With [AHM] Convenience Group 1, With [CGS] Side Air Bags, Without [CUD] Overhead Console
	1AZ80BD1AA	1	J, T					*O0	Up To 8-31-05 With [AHM] Convenience Group 1, With [CGS] Side Air Bags, With [CUD] Overhead Console
	1AZ81BD1AA	1	J, T					*O0	Up To 8-31-05 With [AHM] Convenience Group 1, With [CGS] Side Air Bags, With [CUD] Overhead Console, With [GNK] Auto Dim Mirror
	1AZ87BD1AA	1	J, T					*O0	Up To 8-31-05 With [AHM] Convenience Group 1, [CUD] Overhead Console, [GKN] Auto Dim Mirror, and [CGS] Side Air Bags
	1ED42BD1AA	1	J, T					*O0	After 8-31-05 With [AHM] Convenience Group 1, With [CGS] Side Air Bags, Without [CUD] Overhead Console
	1ED44BD1AA	1	J, T					*O0	After 8-31-05 With [AHM] Convenience Group 1, With [CGS] Side Air Bags, With [CUD] Overhead Console, With [GNK] Auto Dim Mirror
	1ET46BD1AA	1	J, T					*O0	After 8-31-05 Without [CUD] Overhead Console, and [CGS] Side Air Bags

<b>LIBERTY (KJ)</b>				
SERIES	LINE	BODY	ENGINE	TRANSMISSION
H = HIGHLINE	T = JEEP - 2WD	74 = SPORT UTILITY 4-DR	EKG = 3.7L V6 Engine	DG6 = 4-Spd. Automatic 42RLE
M = MEDIUM	J = JEEP - 4WD		ENR = 2.8L 4 Cyl Turbo Diesel Engine	Transmission
P = PREMIUM	U = JEEP - 4WD (RHD)		ENJ = 2.5L 4 Cyl 16V Turbo Diesel Engine	DGV = 4-Spd. Automatic VLP
			ED1 = 2.4L 4 Cyl DOHC 16v SMPI Engine	Transmission
				DGQ = 5-Spd Automatic 5-45RFE
				Transmission
				DEH = 6-Speed Manual NSG370
				Transmission
				DDD = 5-Speed HD Manual
				Transmission
				DDK = 5-Speed HD Manual
				Transmission

AR = use ase required - = Non illustrated part

**Headliner and Visors  
Figure IKJ-110**



ITEM	PART NUMBER	QTY	LINE	SERIES	BODY	ENGINE	TRANS	TRIM	DESCRIPTION
	1ET51BD1AA	1	J, T					*O0	After 8-31-05 With [AHM] Convenience Group 1, and [CUD] Overhead Console,[GNK] Auto Dim Mirror,[RSP] U-Connect Hands Free Communication,Without [CGS] Side Air Bags.
	1ET54BD1AA	1	J, T					*O0	After 8-31-05 With [AHM] Convenience Group 1, and [CUD] Overhead Console
	1ET55BD1AA	1	J, T					*O0	After 8-31-05 With [AHM] Convenience Group 1, With [CGS] Side Air Bags, With [CUD] Overhead Console
	1ET78BD1AA	1	J, T					*O0	After 8-31-05 With [AHM] Convenience Group 1, [CUD] Overhead Console, [GKN] Auto Dim Mirror, Without [CGS] Side Air Bags
	1ET81BD1AA	1	J, T					*O0	After 8-31-05 With [AHM] Convenience Group 1, [CUD] Overhead Console, [GKN] Auto Dim Mirror,and [CGS] Side Air Bags
3	1AZ93BD1AA	1	J, U					*O0	HEADLINER, Export, With Sunroof [GWA] Up To 8-31-05 With [CGS] Side Air Bags, [CUS] Overhead Console and [GKN] Auto Dim Mirror
	1AZ98BD1AA	1	J, U					*O0	Up To 8-31-05 With [CGS] Side Air Bags,[CUD] Overhead Console, [LSC] Security Alarm,and [GNK] Auto Dim Mirror
	1AZ99BD1AA	1	J, U					*O0	Up To 8-31-05 With [CGS] Side Air Bags,[CUD] Overhead Console, [LSC] Security Alarm. Without [GNK] Auto Dim Mirror

**LIBERTY (KJ)**

SERIES      LINE  
H = HIGHLINE    T = JEEP - 2WD  
M = MEDIUM     J = JEEP - 4WD  
P = PREMIUM    U = JEEP - 4WD (RHD)

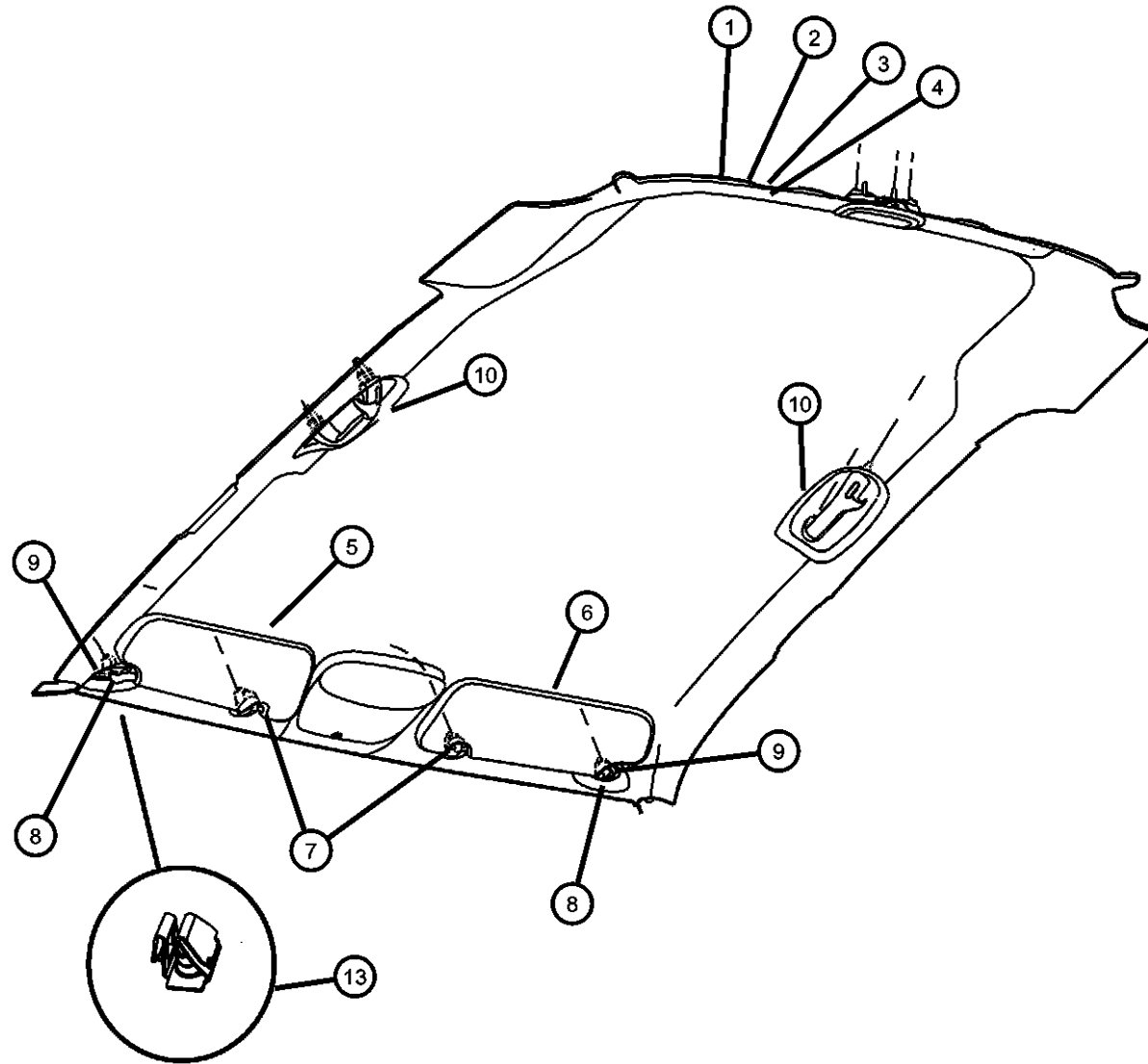
BODY  
74 = SPORT UTILITY 4-DR

ENGINE      TRANSMISSION  
EKG = 3.7L V6 Engine      DG6 = 4-Spd. Automatic 42RLE  
ENR = 2.8L 4 Cyl Turbo Diesel Engine      DGV = 4-Spd. Automatic VLP  
ENJ = 2.5L 4 Cyl 16V Turbo Diesel Engine      DGQ = 5-Spd Automatic 5-45RFE  
ED1 = 2.4L 4 Cyl DOHC 16v SMPI Engine      DEH = 6-Speed Manual NSG370  
Transmission  
DDD = 5-Speed HD Manual Transmission  
DDK = 5-Speed HD Manual Transmission

AR = use ase required - = Non illustrated part



**Headliner and Visors  
Figure IKJ-110**

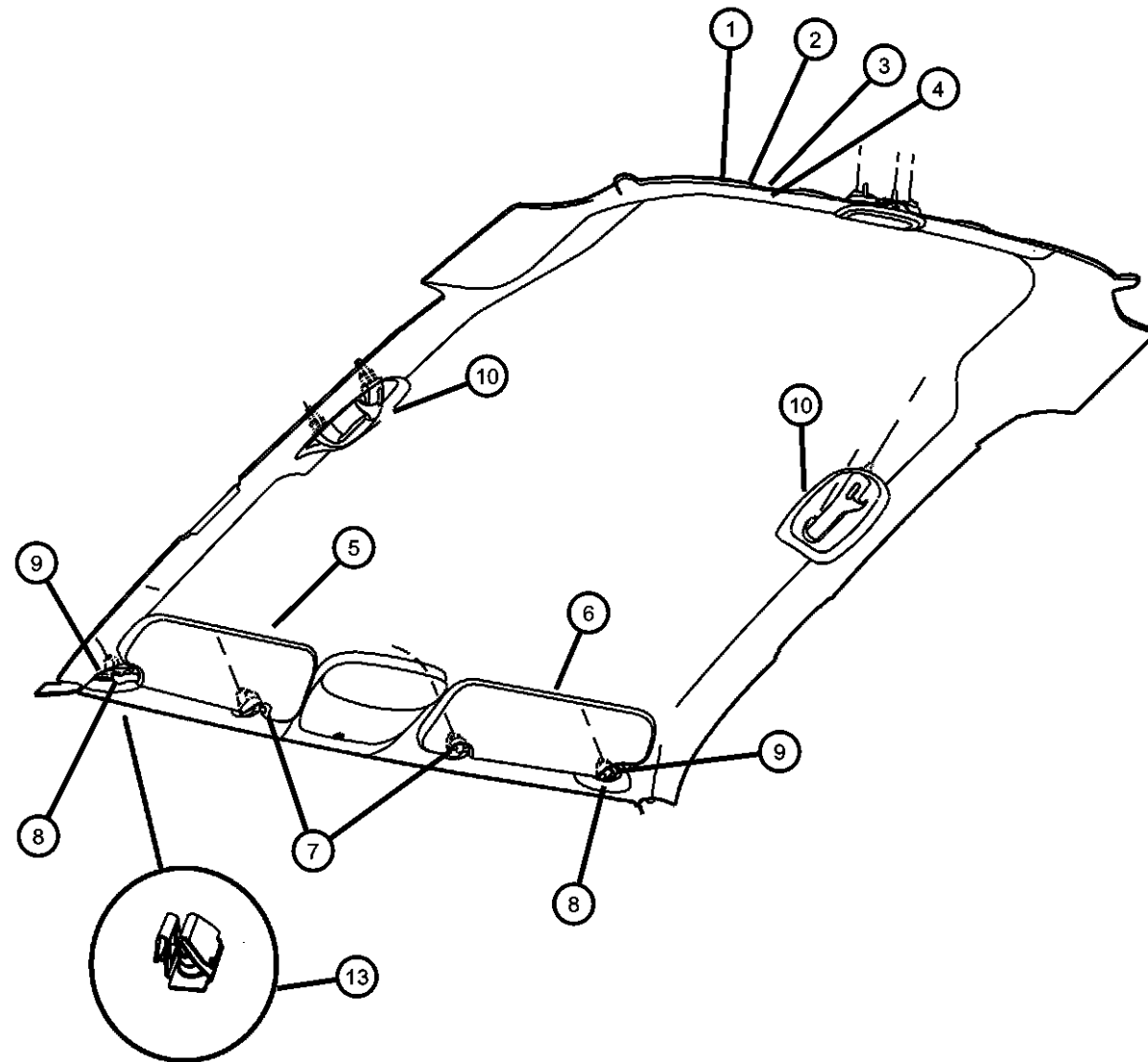


ITEM	PART NUMBER	QTY	LINE	SERIES	BODY	ENGINE	TRANS	TRIM	DESCRIPTION
	1BA02BD1AA	1	J, U					*O0	Up To 8-31-05 With [CUD] Overhead Console. [GNK] Auto Dim Mirror and [LSC] Security Alarm
	1AZ90BD1AA	1	J, U					*O0	Up To 8-31-05 With [CGS] Side Air Bags, Without [CUD] Overhead Console
	1ET33BD1AA	1	J, U					*O0	After 8-31-05 With [CGS] Side Air Bags, Without [CUD] Overhead Console
	1ET35BD1AA	1	J, U					*O0	After 8-31-05 With [CGS] Side Air Bags, [CUS] Overhead Console and [GKN] Auto Dim Mirror
	1ET39BD1AA	1	J, U					*O0	After 8-31-05 With [CUD] Overhead Console. [GNK] Auto Dim Mirror and [LSC] Security Alarm
	1ET45BD1AA	1	J, U					*O0	After 8-31-05 With [CUD] Overhead Console, [GNK] Auto Dim Mirror, Without [LSC] Security Alarm
	1BA03BD1AA	1	J, U					*O0	Up To 8-31-05 With [CUD] Overhead Console, [LSC] Security Alarm, Without [GKN] Auto Dim Mirror
	1BA05BD1AA	1	J, U					*O0	Up To 8-31-05 Without [CGS] Side Air Bags, and [CUD] Overhead Console
	1BA07BD1AA	1	J, U					*O0	Up To 8-31-05 With [CUD] Overhead Console, [GNK] Auto Dim Mirror, Without [LSC] Security Alarm
	1ED46BD1AA	1	J, U					*O0	After 8-31-05 With [CGS] Side Air Bags, [CUD] Overhead Console, [LSC] Security Alarm, and [GNK] Auto Dim Mirror
	1ET61BD1AA	1	J, U		74			*O0	After 8-31-05 With [CUD] Overhead Console, [CGS] Supplemental Air Bags, Without [RSP] UConnect Hands Free, [GNK] Auto Dim Rearview Mirror, [LSC] Premium Security Alarm

<b>LIBERTY (KJ)</b>				
SERIES	LINE	BODY	ENGINE	TRANSMISSION
H = HIGHLINE	T = JEEP - 2WD	74 = SPORT UTILITY 4-DR	EKG = 3.7L V6 Engine	DG6 = 4-Spd. Automatic 42RLE Transmission
M = MEDIUM	J = JEEP - 4WD		ENR = 2.8L 4 Cyl Turbo Diesel Engine	DGV = 4-Spd. Automatic VLP Transmission
P = PREMIUM	U = JEEP - 4WD (RHD)		ENJ = 2.5L 4 Cyl 16V Turbo Diesel Engine	DGQ = 5-Spd Automatic 5-45RFE Transmission
			ED1 = 2.4L 4 Cyl DOHC 16v SMPI Engine	DEH = 6-Speed Manual NSG370 Transmission
				DDD = 5-Speed HD Manual Transmission
				DDK = 5-Speed HD Manual Transmission

AR = use ase required - = Non illustrated part

**Headliner and Visors  
Figure IKJ-110**

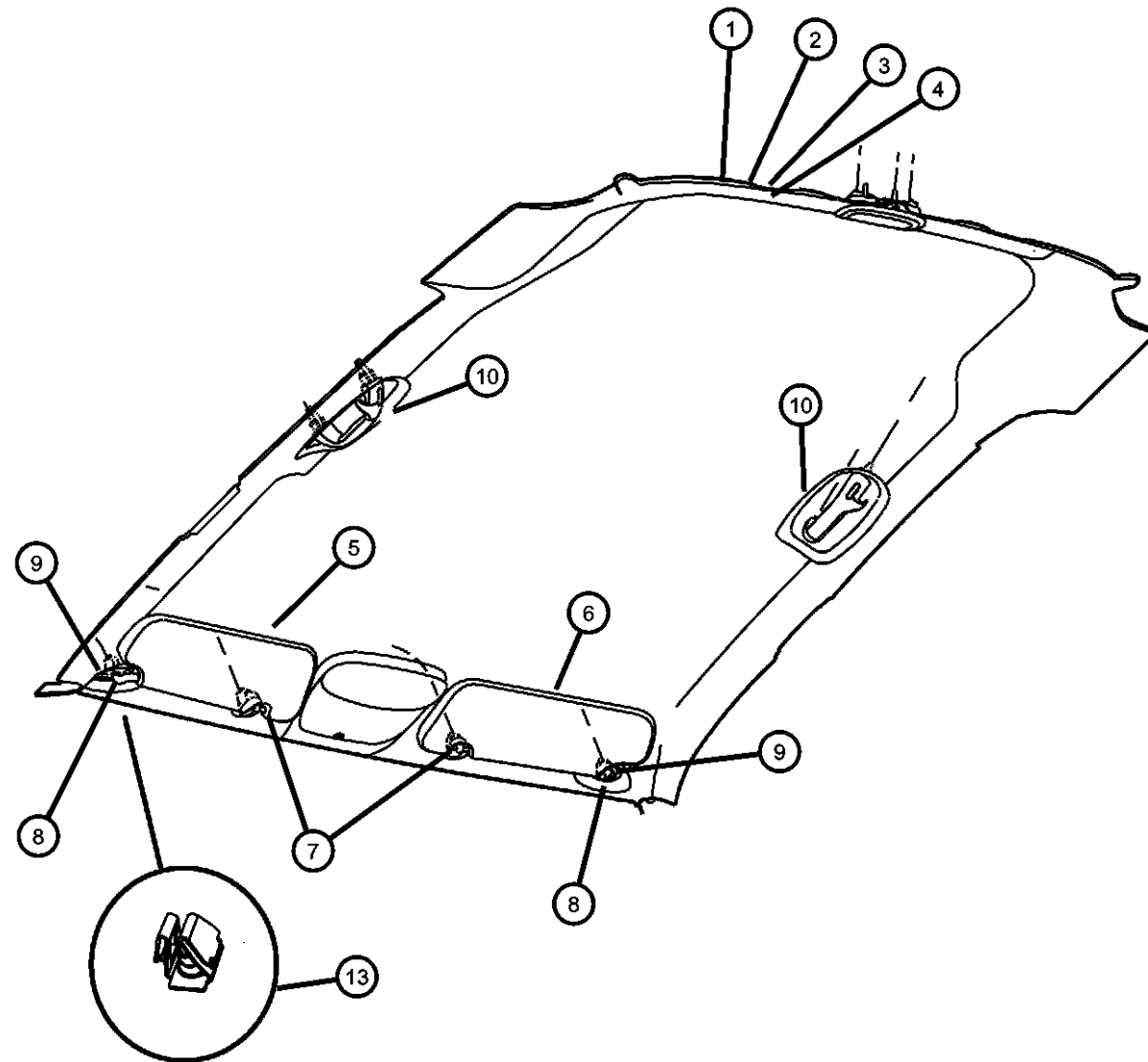


ITEM	PART NUMBER	QTY	LINE	SERIES	BODY	ENGINE	TRANS	TRIM	DESCRIPTION
	1ET66BD1AA	1	J, U					*O0	After 8-31-05 With [CGS] Side Air Bags,[CUD] Overhead Console, [LSC] Security Alarm. Without [GNK] Auto Dim Mirror
	1ET73BD1AA	1	J, U					*O0	After 8-31-05 With [CUD] Overhead Console, [LSC] Security Alarm,Without [GKN] Auto Dim Mirror
	1ET83BD1AA	1	J, U					*O0	After 8-31-05 Without [CGS] Side Air Bags, and [CUD] Overhead Console
4									HEADLINER, Export, Without Sunroof [GWA]
	1AZ89BD1AA	1	J, U					*O0	Up To 8-31-05 With [CGS] Side Airbags, Without [CUD] Overhead Console
	1AZ92BD1AA	1	J, U					*O0	Up To 8-31-05 With [CGS] Side Air Bags, [CUD] Overhead Console, [GNK] Auto Dim Mirror,Without [LSC] Security Alarm
	1AZ96BD1AA	1	J, U					*O0	Up To 8-31-05 With [CUD] Overhead Console, [LSC] Security Alarm,[CGS] Side Air Bags, Without [GNK]Auto Dim Mirror
	1BA00BD1AA	1	J, U					*O0	Up To 8-31-05 With [CUD] Overhead Console, [GNK] Auto Dim Mirror, [LSC] Security Alarm, Without [CGS] Side Air Bags
	1BA01BD1AA	1	J, U					*O0	Up To 8-31-05 With [CUD] Overhead Console, [LSC] Security Alarm,Without [GKN] Auto Dim Mirror
	1BA04BD1AA	1	J, U					*O0	Up To 8-31-05 Without [CGS] Side Air Bags, and [CUD] Overhead Console
	1BA06BD1AA	1	J, U					*O0	Up To 8-31-05 With [CUD] Overhead Console, [GNK] auto Dim Mirror, Without [LSC] Security Alarm and [CGS] Side Air Bags

<b>LIBERTY (KJ)</b>				
SERIES	LINE	BODY	ENGINE	TRANSMISSION
H = HIGHLINE	T = JEEP - 2WD	74 = SPORT UTILITY 4-DR	EKG = 3.7L V6 Engine	DG6 = 4-Spd. Automatic 42RLE
M = MEDIUM	J = JEEP - 4WD		ENR = 2.8L 4 Cyl Turbo Diesel Engine	Transmission
P = PREMIUM	U = JEEP - 4WD (RHD)		ENJ = 2.5L 4 Cyl 16V Turbo Diesel Engine	DGV = 4-Spd. Automatic VLP
			ED1 = 2.4L 4 Cyl DOHC 16v SMPI Engine	Transmission
				DGQ = 5-Spd Automatic 5-45RFE
				Transmission
				DEH = 6-Speed Manual NSG370
				Transmission
				DDD = 5-Speed HD Manual
				Transmission
				DDK = 5-Speed HD Manual
				Transmission

AR = use ase required - = Non illustrated part

**Headliner and Visors  
Figure IKJ-110**



ITEM	PART NUMBER	QTY	LINE	SERIES	BODY	ENGINE	TRANS	TRIM	DESCRIPTION
	1ES58BD1AA	1	J, U					*00	After 8-31-05 With [CGS] Side Air Bags, {CUD} Overhead Console, [GNK} Auto Dim Mirror and [LSC] Security Alarm
	1AZ94BD1AA	1	J, U					*00	Up To 8-31-05 With [CGS] Side Air Bags, {CUD} Overhead Console, [GNK} Auto Dim Mirror and [LSC] Security Alarm
	1ET02BD1AA	1	J, U					*00	After 8-31-05 With [CGS] Side Airbags, Without [CUD] Overhead Console
	1ET34BD1AA	1	J, U					*00	After 8-31-05 With [CGS] Side Air Bags, [CUD] Overhead Console, [GNK} Auto Dim Mirror,Without [LSC] Security Alarm
	1ET42BD1AA	1	J, U					*00	After 8-31-05 With [CUD] Overhead Console, [GNK} Auto Dim Mirror, {LSC} Security Alarm, Without [CGS] Side Air Bags
	1ET43BD1AA	1	J, U					*00	After 8-31-05 Without [CGS] Side Air Bags, and [CUD] Overhead Console
	1ET44BD1AA	1	J, U					*00	After 8-31-05 With [CUD] Overhead Console, [GNK} auto Dim Mirror, Without [LSC] Security Alarm and [CGS] Side Air Bags
	1ET55BD1AA	1	J, T					*00	After 8-31-05 With [CUD] Overhead Console, [CGS] Supplemental Air Bags, Without [RSP] UConnect Hands Free, [GNK} Auto Dim Rearview Mirror, [LSC] Premium Security Alarm
	1ET67BD1AA	1	J, U					*00	After 8-31-05 With [CUD] Overhead Console, [LSC] Security Alarm,[CGS] Side Air Bags, Without [GNK}Auto Dim Mirror
	1ET74BD1AA	1	J, U					*00	After 8-31-05 With [CUD] Overhead Console, [LSC] Security Alarm,Without [GKN] Auto Dim Mirror

**LIBERTY (KJ)**

SERIES      LINE  
H = HIGHLINE    T = JEEP - 2WD  
M = MEDIUM     J = JEEP - 4WD  
P = PREMIUM    U = JEEP - 4WD (RHD)

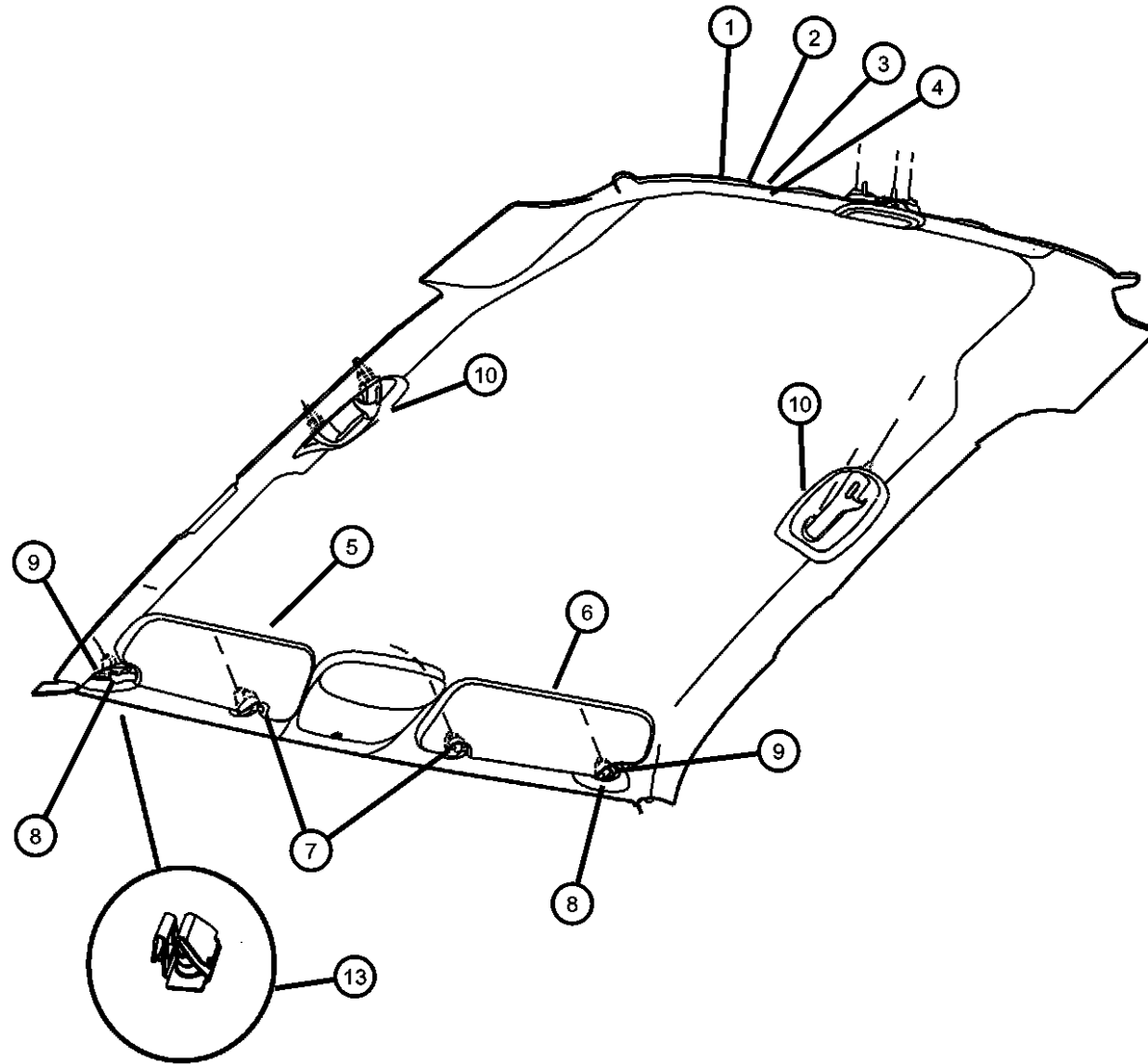
BODY  
74 = SPORT UTILITY 4-DR

ENGINE  
EKG = 3.7L V6 Engine  
ENR = 2.8L 4 Cyl Turbo Diesel Engine  
ENJ = 2.5L 4 Cyl 16V Turbo Diesel Engine  
ED1 = 2.4L 4 Cyl DOHC 16v SMPI Engine

TRANSMISSION  
DG6 = 4-Spd. Automatic 42RLE Transmission  
DGV = 4-Spd. Automatic VLP Transmission  
DGQ = 5-Spd Automatic 5-45RFE Transmission  
DEH = 6-Speed Manual NSG370 Transmission  
DDD = 5-Speed HD Manual Transmission  
DDK = 5-Speed HD Manual Transmission

AR = use ase required    - = Non illustrated part

**Headliner and Visors  
Figure IKJ-110**



ITEM	PART NUMBER	QTY	LINE	SERIES	BODY	ENGINE	TRANS	TRIM	DESCRIPTION
5	5KF88BD1AB	1	J, T					*O0	VISOR, Right Non-Illuminated
	5KF90BD1AC	1	J, T					*O0	Illuminated
6	5KF89BD1AB	1	J, T					*O0	VISOR, Left Non-Illuminated
	5KF91BD1AC	1	J, T					*O0	Illuminated
7	1AR26BD1AA	2	J, U					*O0	SUPPORT, Visor
		2	J, T					*O0	
8	05140534AA	2	J, U					*O0	SPACER, Visor
		2	J, T					*O0	
9	06034912	4	J, T					*O0	SCREW, Pan Head, .19-16x.75
10	0UY68BD1AA	1	J, T					*O0	HANDLE, Roof Grab Right
		1	J, U					*O0	Right
	0UY69BD1AA	1	J, U					*O0	Left
		1	J, T					*O0	Left
-11	05108000AA	2	J						LABEL, Air Bag Warning, CANADA ONLY
-12	55352825AA	1	J						LABEL, Warning, CANADA ONLY
13	06036480AA	4							NUT, Push, .164-18, Visor Attaching

**LIBERTY (KJ)**

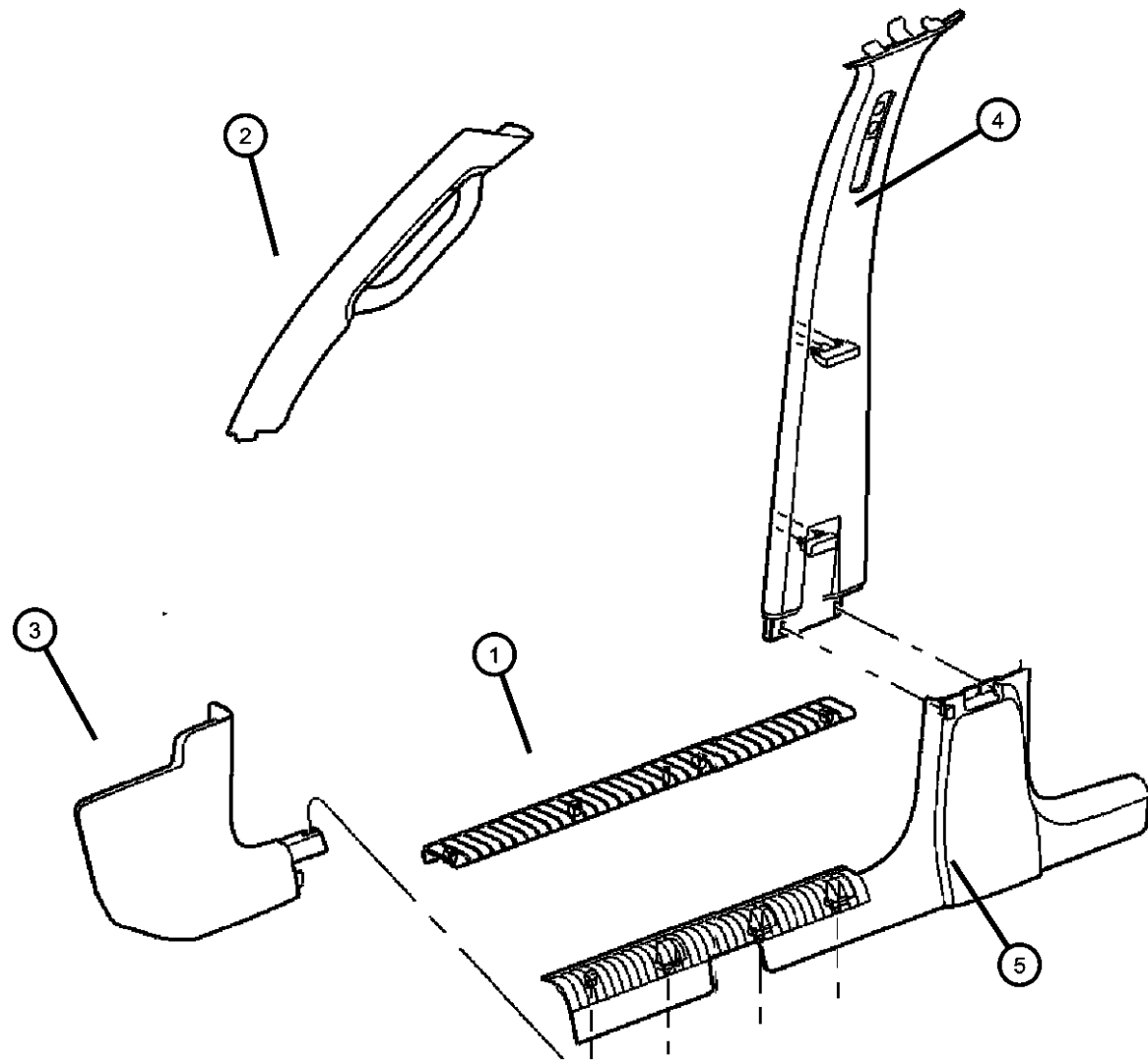
SERIES      LINE  
H = HIGHLINE    T = JEEP - 2WD  
M = MEDIUM     J = JEEP - 4WD  
P = PREMIUM    U = JEEP - 4WD (RHD)

BODY  
74 = SPORT UTILITY 4-DR

ENGINE      TRANSMISSION  
EKG = 3.7L V6 Engine      DG6 = 4-Spd. Automatic 42RLE  
ENR = 2.8L 4 Cyl Turbo Diesel Engine      DGV = 4-Spd. Automatic VLP  
ENJ = 2.5L 4 Cyl 16V Turbo Diesel Engine      DGQ = 5-Spd Automatic 5-45RFE  
ED1 = 2.4L 4 Cyl DOHC 16v SMPI Engine      DEH = 6-Speed Manual NSG370  
Transmission  
DDD = 5-Speed HD Manual Transmission  
DDK = 5-Speed HD Manual Transmission

AR = use ase required    - = Non illustrated part

**Panels, Interior Trim, Front  
Figure IKJ-210**



ITEM	PART NUMBER	QTY	LINE	SERIES	BODY	ENGINE	TRANS	TRIM	DESCRIPTION
1	55352778AC	1							PLATE, Scuff Right Front
	55352779AE	1							Left Front
2									PANEL, A Pillar Trim
	5GM92BD1AI	1						*O0	Right
	5GM93BD1AI	1						*O0	Left
3									PANEL, Cowl Side Trim
	5GE62BD5AJ	1						*O0	[DB, D5], Right
	5GE62ZJ3AJ	1						*O0	[J1, J3], Right
	5GE67BD5AK	1						*O0	[DB, D5], Left
	5GE67ZJ3AK	1						*O0	[J1, J3], Left
4									COVER, B Pillar Trim Panel
	5GE60BD5AM	1						*O0	[DB, D5], Right
	5GE61BD5AM	1						*O0	[DB, D5], Left
	5GE61ZJ3AM	1						*O0	[J1, J3], Left
	5GE60ZJ3AM	1						*O0	[J1, J3], Right
5									PANEL, Side Sill
	5GG22ZJ3AL	1						*O0	[J1, J3], Right
	5GG23BD5AM	1						*O0	[DB, D5], Left
	5GG22BD5AL	1						*O0	[DB, D5], Right
	5GG23ZJ3AM	1						*O0	[J1, J3], Left
-6	05140693AA	2						*O0	CLIP, A Pillar Trim Panel Attaching Clip
-7	05175099AA	1						*O0	CLIP, Trim Panel, A Pillar Trim Panel Attaching Clip
-8	06505852AA	1	J, T, U		74			*O0	CLIP, Trim Panel, A Pillar Trim Panel Attaching Clip

**LIBERTY (KJ)**

SERIES      LINE  
H = HIGHLINE    T = JEEP - 2WD  
M = MEDIUM      J = JEEP - 4WD  
P = PREMIUM      U = JEEP - 4WD (RHD)

BODY  
74 = SPORT UTILITY 4-DR

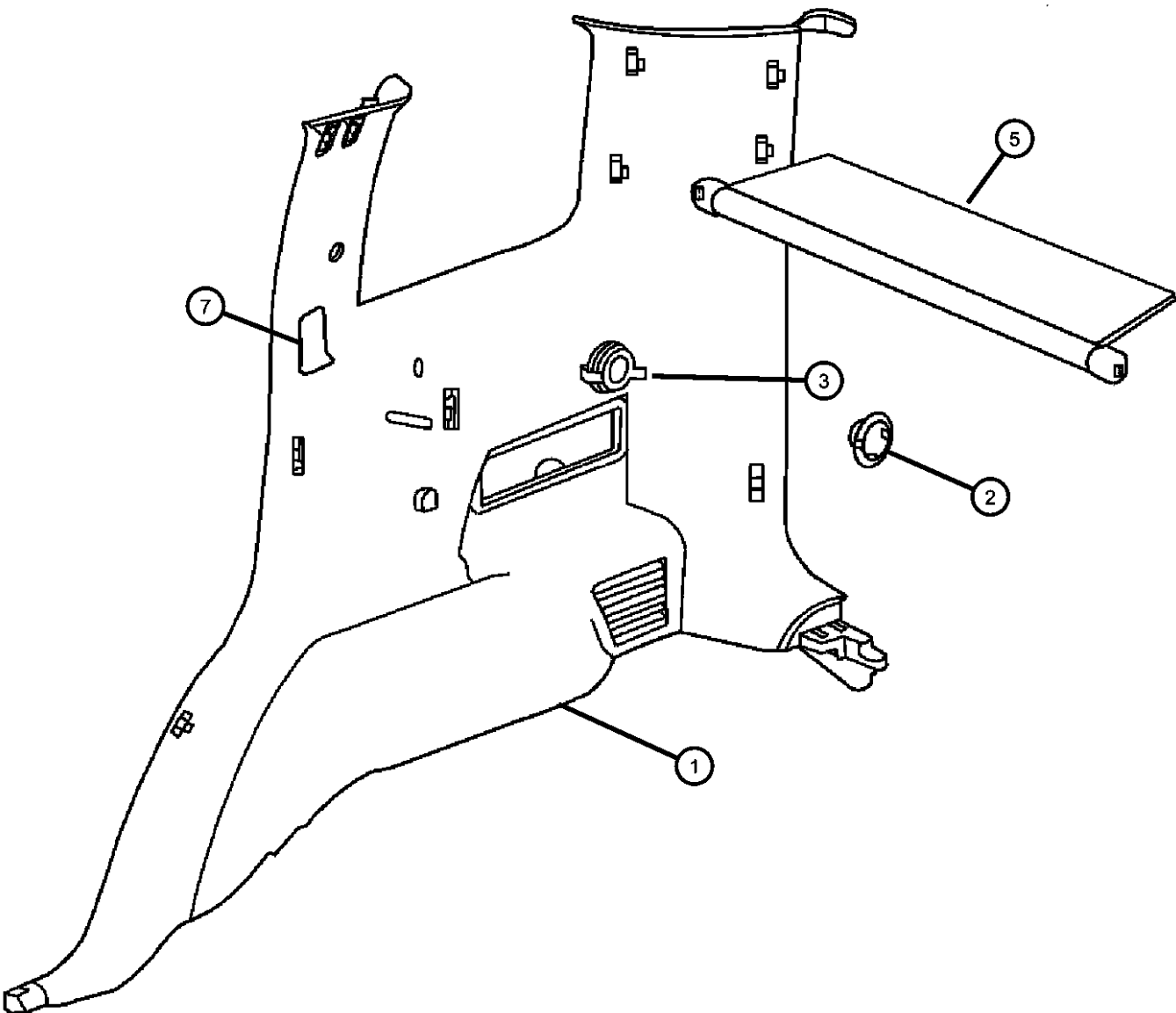
ENGINE      TRANSMISSION  
EKG = 3.7L V6 Engine      DG6 = 4-Spd. Automatic 42RLE  
ENR = 2.8L 4 Cyl Turbo Diesel      Transmission  
Engine      DGV = 4-Spd. Automatic VLP  
ENJ = 2.5L 4 Cyl 16V Turbo      Transmission  
Diesel Engine      DGQ = 5-Spd Automatic 5-45RFE  
ED1 = 2.4L 4 Cyl DOHC 16v      Transmission  
SMPI Engine      DEH = 6-Speed Manual NSG370  
Transmission  
DDD = 5-Speed HD Manual  
Transmission  
DDK = 5-Speed HD Manual  
Transmission

AR = use ase required - = Non illustrated part

2006 KJ

**Panels, Interior Trim, Rear  
Figure IKJ-220**

ITEM	PART NUMBER	QTY	LINE	SERIES	BODY	ENGINE	TRANS	TRIM	DESCRIPTION
1									PANEL, Quarter Trim
	5HG52BD5AQ	1						*O0	[DB, D5], Right
	5HG55BD5AQ	1						*O0	[DB, D5], With CD Changer Opening, Right
	5HG52ZJ3AQ	1						*O0	[J1, J3], Right
	5HG55ZJ3AQ	1						*O0	[J1, J3], With CD Changer Opening, Right
	5HG56ZJ3AQ	1						*O0	[J1, J3], With Trim Panel Net, Right
	5HG56BD5AQ	1						*O0	[DB, D5], With Trim Panel Net, Right
	5HG57ZJ3AR	1						*O0	[J1, J3], Left
	5HG57BD5AR	1						*O0	[DB, D5], Left
2									PLUG, Quarter Trim Panel
	5HH32BD5AA	1						*O0	[DB, D5]
	5HH32ZJ3AA	1						*O0	[J1, J3]
3	04793554AB	1						*O0	POWER OUTLET
-4	04685668AA	1						*O0	MOUNT, Power Outlet
5									COVER, Cargo Compartment
	5JM75BD5AA	1						*O0	[DB, D5]
	5JM75ZJ3AA	1						*O0	[J1, J3]
-6									BEZEL, Interior trim, Surrounds [CD] Changer
	0WL87BD5AA	1						*O0	[DB, D5]
	0WL87ZJ3AA	1						*O0	[J1, J3]
7									COVER, C Pillar
	0WR16BD5AA	1						*O0	[DB, D5], Right
	0WR16ZJ3AA	1						*O0	[J1, J3], Right
	0WR17BD5AA	1						*O0	[DB, D5], Left
	0WR17ZJ3AA	1						*O0	[J1, J3], Left



**LIBERTY (KJ)**

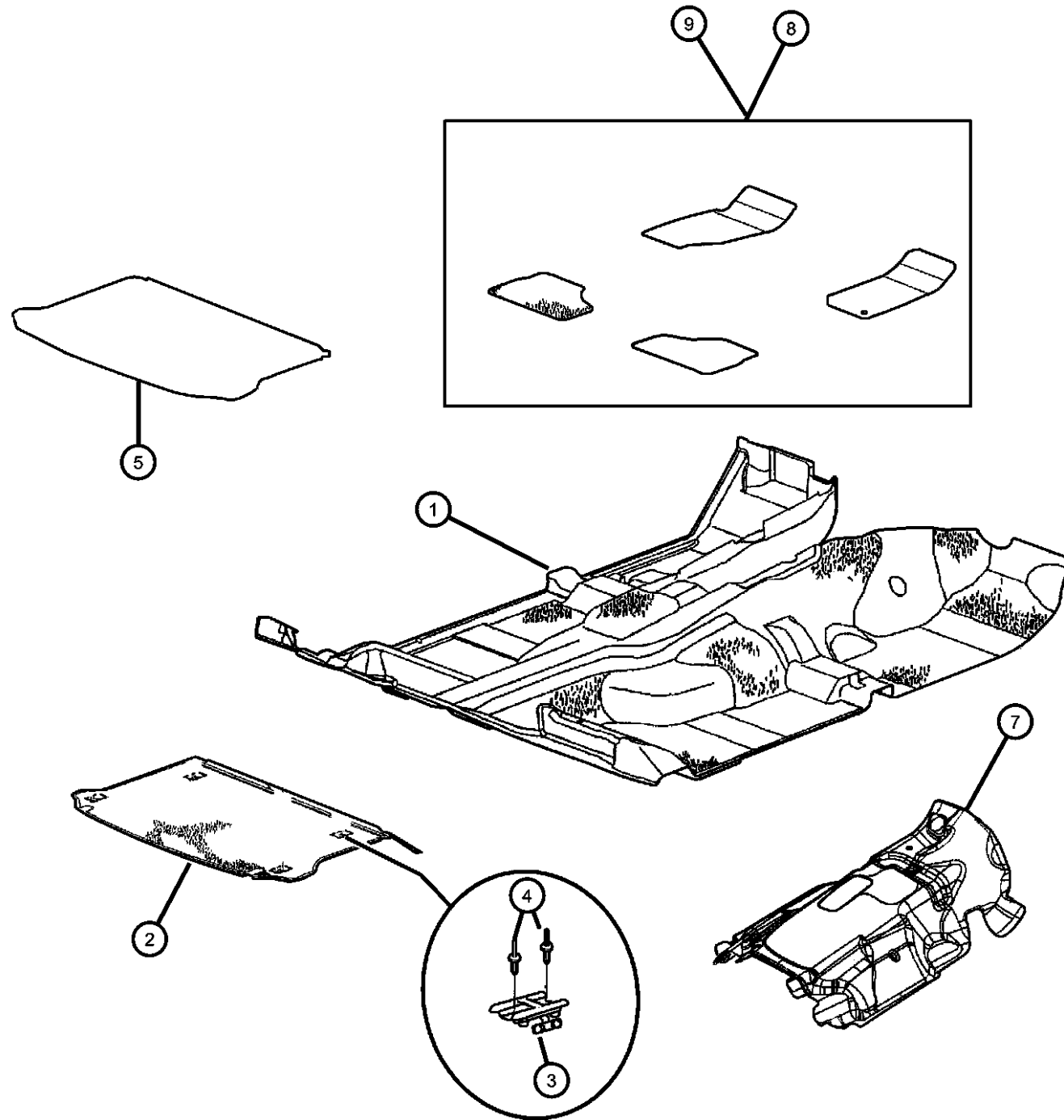
SERIES      LINE  
H = HIGHLINE    T = JEEP - 2WD  
M = MEDIUM     J = JEEP - 4WD  
P = PREMIUM    U = JEEP - 4WD (RHD)

BODY  
74 = SPORT UTILITY 4-DR

ENGINE      TRANSMISSION  
EKG = 3.7L V6 Engine      DG6 = 4-Spd. Automatic 42RLE  
ENR = 2.8L 4 Cyl Turbo Diesel Engine      DG7 = 4-Spd. Automatic VLP  
ENJ = 2.5L 4 Cyl 16V Turbo Diesel Engine      DGQ = 5-Spd Automatic 5-45RFE  
ED1 = 2.4L 4 Cyl DOHC 16v SMPI Engine      DEH = 6-Speed Manual NSG370  
Transmission  
DDD = 5-Speed HD Manual Transmission  
DDK = 5-Speed HD Manual Transmission

AR = use ase required    - = Non illustrated part

**Carpets and Mats  
Figure IKJ-310**



ITEM	PART NUMBER	QTY	LINE	SERIES	BODY	ENGINE	TRANS	TRIM	DESCRIPTION
1									CARPET, Front Floor
	5GF86XD-HAK	1	U					*00	[DB,D5]
	5GF86ZJ8AK	1	U					*00	[J1,J3]
	5JH18ZJ8AF	1	J, T					*00	[J1,J3]
	5KL20XDHAD	1	J, T					*00	[DB, D5], With Turbo Diesel
	5JH18XDHAF	1	J, T					*00	[DB,D5]
	5KL20ZJ8AD	1	J, T					*00	[J1, J3], With Turbo Diesel
	5KL21ZJ8AC	1	U					*00	[J1, J3], With Turbo Diesel
	5KL21XDHAC	1	U					*00	[DB, D5], With Turbo Diesel
2									CARPET, Cargo Floor, Includes Cargo Tie Down Hooks
	5GF79ZJ8AG	1						*00	[J1, J3]
	5GF79XD-HAG	1						*00	[DB, D5]
3	05086138AA	1						*00	LOOP, Cargo Tie Down
4	06036484AA	8							RIVET, Blind Bulb, Open
5	82206761	1							MAT KIT, Bed - Interior, One piece mat folds at rear seat and flexes with seats when layed flat or in up position.
-6									CLIP, Floor Mat Retention
	05086365AA	1	U					*00	
		1	J, T					*00	
7	55352864AC	1							PAD, Tunnel
8									MAT KIT, Floor, Carpeted
	1EL931DHAA	1	J, T		74			*00	[D5], With [MGT] 65th Anniversary Edition
	1EL931J8AA	1	J, T		74			*00	[J3], With [MGT] 65th Anniversary Edition
	5JQ61XDHAA	1	J, T					*00	[DB, D5]
	5JQ61ZJ8AA	1	J, T					*00	[J1, J3]
	5JQ96XDHAA	1	U					*00	[DB, D5]
	5JQ96ZJ8AA	1	U					*00	[J1, J3]

**LIBERTY (KJ)**

SERIES      LINE  
H = HIGHLINE    T = JEEP - 2WD  
M = MEDIUM     J = JEEP - 4WD  
P = PREMIUM    U = JEEP - 4WD (RHD)

BODY  
74 = SPORT UTILITY 4-DR

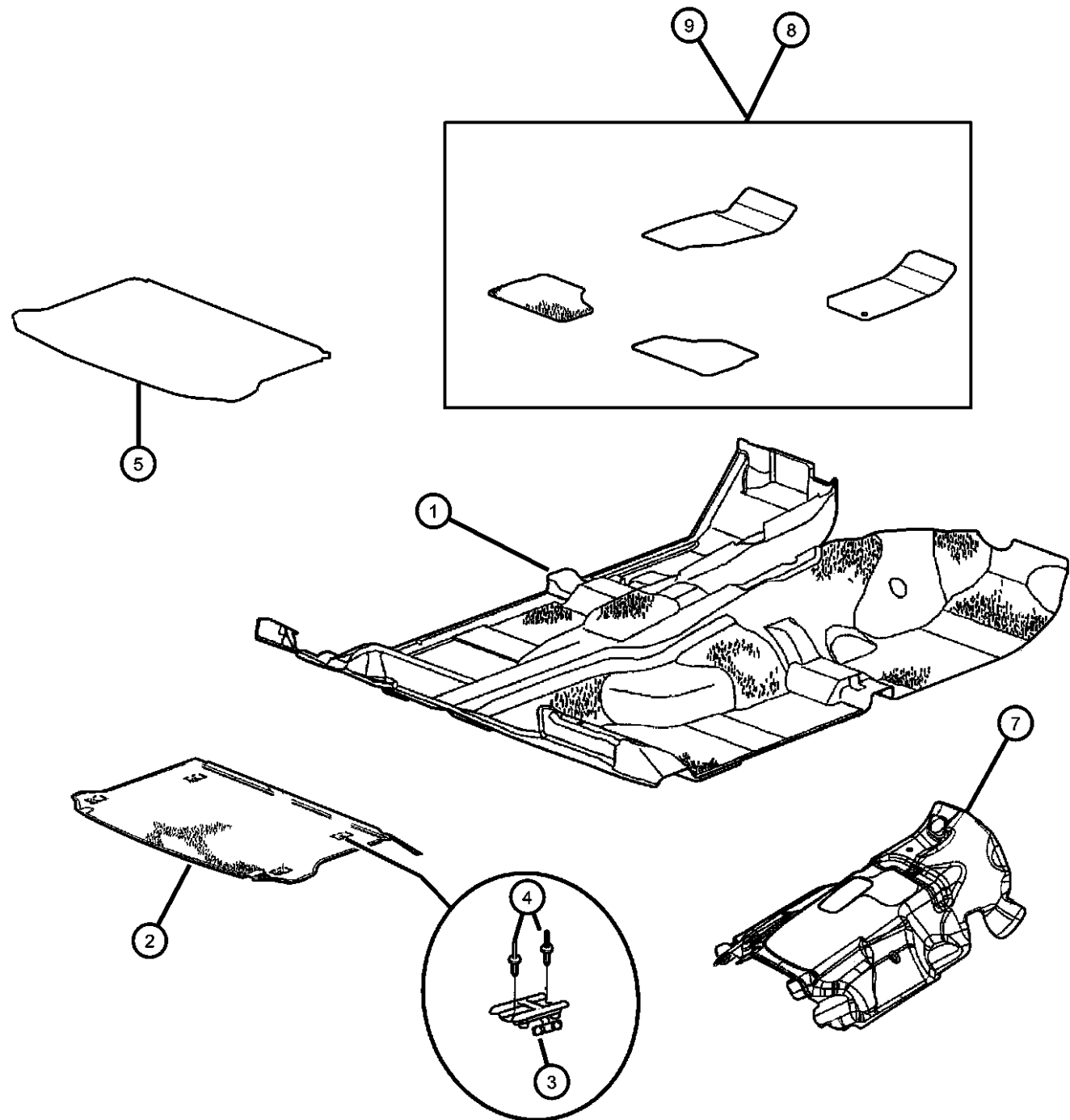
ENGINE  
EKG = 3.7L V6 Engine  
ENR = 2.8L 4 Cyl Turbo Diesel Engine  
ENJ = 2.5L 4 Cyl 16V Turbo Diesel Engine  
ED1 = 2.4L 4 Cyl DOHC 16v SMPI Engine

TRANSMISSION  
DG6 = 4-Spd. Automatic 42RLE Transmission  
DGV = 4-Spd. Automatic VLP Transmission  
DGJ = 5-Spd Automatic 5-45RFE Transmission  
DEH = 6-Speed Manual NSG370 Transmission  
DDD = 5-Speed HD Manual Transmission  
DDK = 5-Speed HD Manual Transmission

AR = use ase required    - = Non illustrated part

**Carpets and Mats  
Figure IKJ-310**

ITEM	PART NUMBER	QTY	LINE	SERIES	BODY	ENGINE	TRANS	TRIM	DESCRIPTION
------	-------------	-----	------	--------	------	--------	-------	------	-------------



9									MAT KIT, Floor - Complete
	82209244	1	J, T						Slush, Slate
	82209245	1	J, T						Slush, Dark Khaki

**LIBERTY (KJ)**

SERIES      LINE  
H = HIGHLINE    T = JEEP - 2WD  
M = MEDIUM     J = JEEP - 4WD  
P = PREMIUM    U = JEEP - 4WD (RHD)

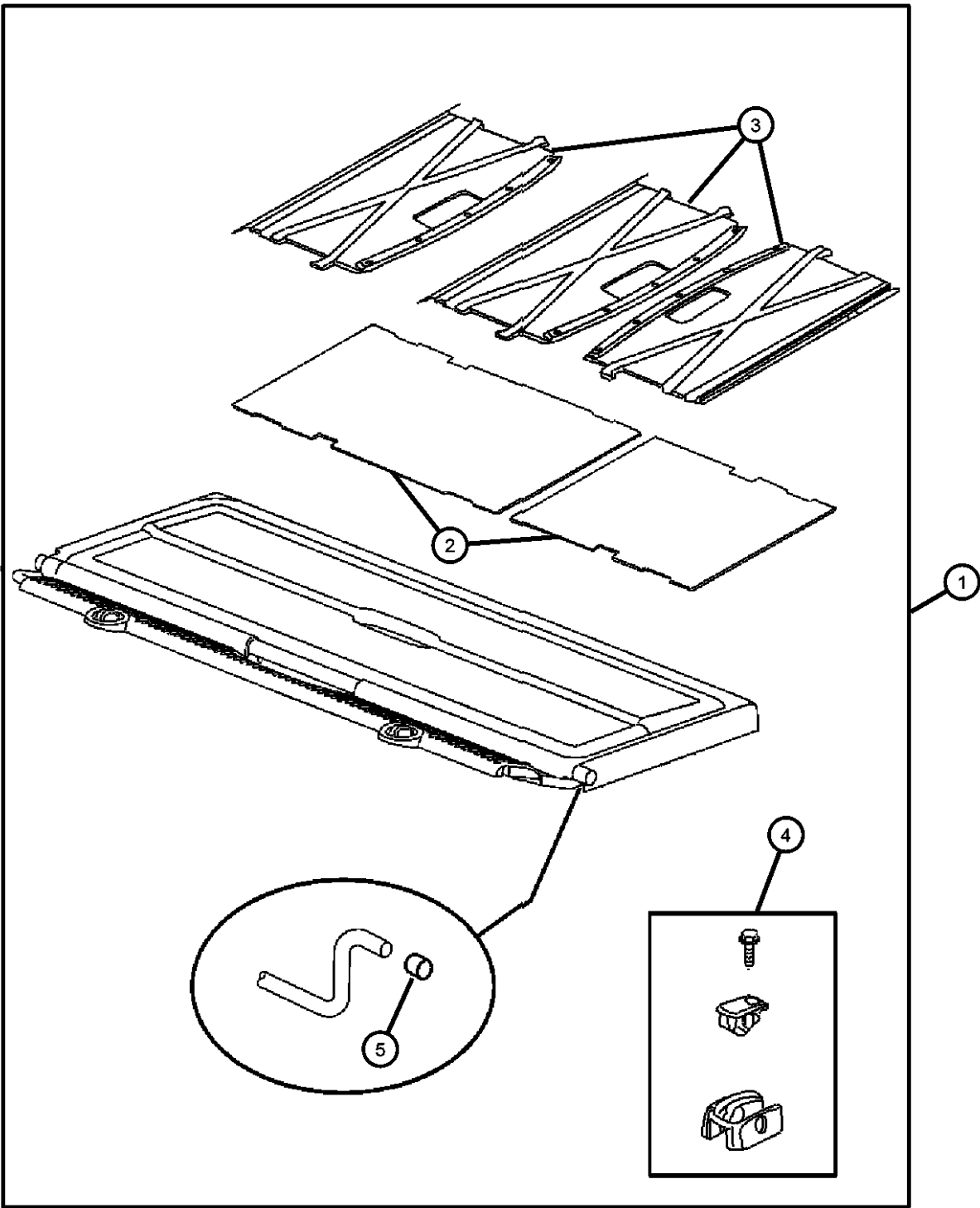
BODY  
74 = SPORT UTILITY 4-DR

ENGINE      TRANSMISSION  
EKG = 3.7L V6 Engine      DG6 = 4-Spd. Automatic 42RLE  
ENR = 2.8L 4 Cyl Turbo Diesel      Transmission  
Engine      DGV = 4-Spd. Automatic VLP  
ENJ = 2.5L 4 Cyl 16V Turbo      Transmission  
Diesel Engine      DGQ = 5-Spd Automatic 5-45RFE  
ED1 = 2.4L 4 Cyl DOHC 16v      Transmission  
SMPI Engine      DEH = 6-Speed Manual NSG370  
Transmission  
DDD = 5-Speed HD Manual  
Transmission  
DDK = 5-Speed HD Manual  
Transmission

AR = use ase required - = Non illustrated part



**Cargo Organizer**  
**Figure IKJ-320**



ITEM	PART NUMBER	QTY	LINE	SERIES	BODY	ENGINE	TRANS	TRIM	DESCRIPTION
1	5JK491D5AF	1						*O0	ORGANIZER, CARGO [DB, D5]
	5JK491J3AF	1						*O0	[J1, J3]
2	05114524AA	1						*O0	MAT, Storage Tray
3	0ZF431D5AA	1						*O0	PARTITION, Cargo, Includes Anti-Rattle Tape [DB,D5]
	0ZF431J3AA	1						*O0	[J1,J3]
4	05114585AA	1						*O0	MOUNT KIT
5	05114584AA	1						*O0	CAP, Rubber

**LIBERTY (KJ)**

SERIES LINE  
H = HIGHLINE T = JEEP - 2WD  
M = MEDIUM J = JEEP - 4WD  
P = PREMIUM U = JEEP - 4WD (RHD)

BODY  
74 = SPORT UTILITY 4-DR

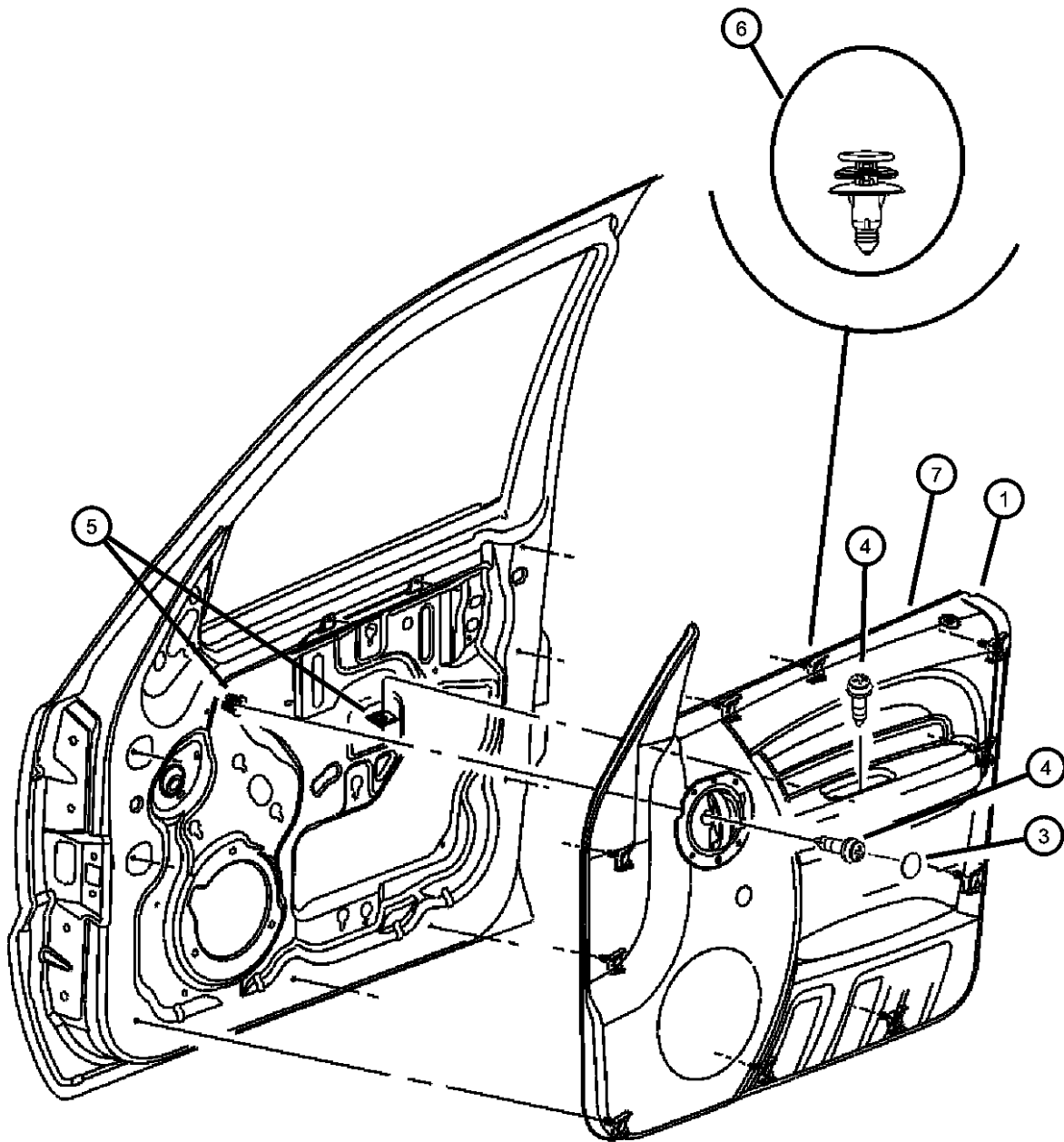
ENGINE TRANSMISSION  
EKG = 3.7L V6 Engine DG6 = 4-Spd. Automatic 42RLE  
ENR = 2.8L 4 Cyl Turbo Diesel Transmission  
Engine DGV = 4-Spd. Automatic VLP  
ENJ = 2.5L 4 Cyl 16V Turbo Transmission  
Diesel Engine DGQ = 5-Spd Automatic 5-45RFE  
ED1 = 2.4L 4 Cyl DOHC 16v Transmission  
SMPI Engine DEH = 6-Speed Manual NSG370  
Transmission  
DDD = 5-Speed HD Manual  
Transmission  
DDK = 5-Speed HD Manual  
Transmission

AR = use ase required - = Non illustrated part

2006 KJ

**Trim Panel, Front Door  
Figure IKJ-410**

ITEM	PART NUMBER	QTY	LINE	SERIES	BODY	ENGINE	TRANS	TRIM	DESCRIPTION
------	-------------	-----	------	--------	------	--------	-------	------	-------------



Sales Codes:

- [CBF] = Premium Cloth Bolster, Bright Door Handle
- [CTC] = Leather
- [CTL] = Base, Cloth Bolster, Color Keyed Door Handle
- [CTM] = Deluxe

1

0YB42BD5AB	1	J, T						*00	PANEL, Front Door Trim, Includes Door Handle and Clips [D5],With Sales Code [CTL], Right
0YB42ZJ3AB	1	J, T						*00	[J3],With Sales Code [CTL], Right
0YB43BD5AB	1	J, T						*00	[D5],With Sales Code [CTL], Left
0YC06BD5AB	1	U						*00	[D5],With Sales Code [CTL],Right Hand Drive, Right
0YC06ZJ3AB	1	U						*00	[J3],With Sales Code [CTL],Right Hand Drive, Right
0YB43ZJ3AB	1	J, T						*00	[J3],With Sales Code [CTL], Left
0YC07ZJ3AB	1	U						*00	[J3],With Sales Code [CTL],Right Hand Drive, Left
1AE101D1AB	1	J, T						*00	[J1],With Sales Code [CBF or CTC], Right
0YC07BD5AB	1	U						*00	[D5],With Sales Code [CTL],Right Hand Drive, Left
1AE101DBAB	1	J, T						*00	[DB],With Sales Code [CBF or CTC], Right
1AE101D5AB	1	J, T						*00	[D5],With Sales Code [CBF or CTC], Right
1AE111D5AB	1	J, T						*00	[D5],With Sales Code [CBF or CTC], Left
1AE101J3AB	1	J, T						*00	[J3],With Sales Code [CBF or CTC], Right
1AE111D1AB	1	J, T						*00	[J1],With Sales Code [CBF or CTC], Left
1AE111DBAB	1	J, T						*00	[DB],With Sales Code [CBF or CTC], Left
1AE111J3AB	1	J, T						*00	[J3],With Sales Code [CBF or CTC], Left
1AE121D1AB	1	U						*00	[J1],With Sales Code [CBF or CTC],Right Hand Drive, Right
1AE121D5AB	1	U						*00	[D5],With Sales Code [CBF or CTC],Right Hand Drive, Right

**LIBERTY (KJ)**

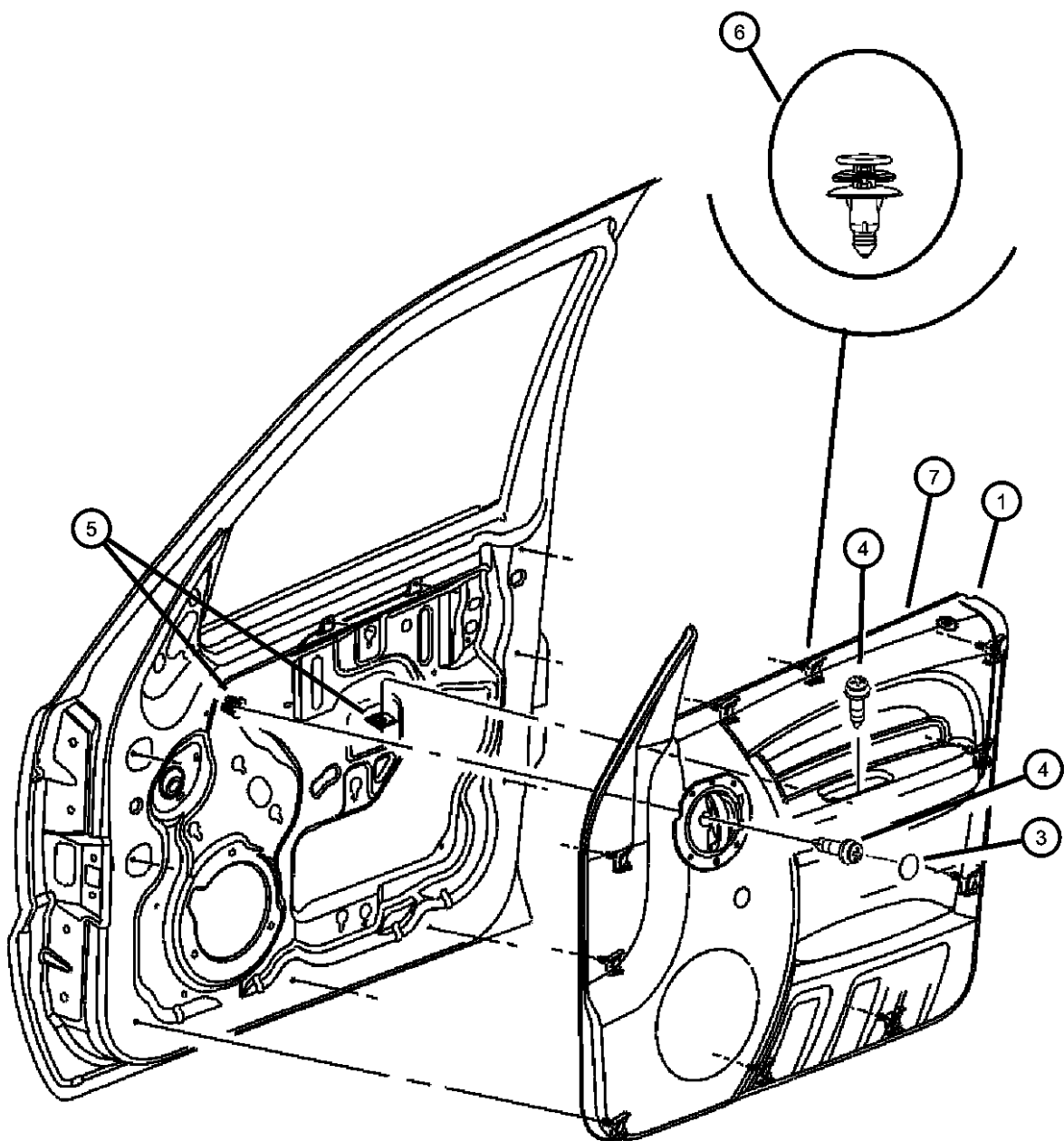
SERIES	LINE	BODY
H = HIGHLINE	T = JEEP - 2WD	74 = SPORT UTILITY 4-DR
M = MEDIUM	J = JEEP - 4WD	
P = PREMIUM	U = JEEP - 4WD (RHD)	

ENGINE	TRANSMISSION
EKG = 3.7L V6 Engine	DG6 = 4-Spd. Automatic 42RLE
ENR = 2.8L 4 Cyl Turbo Diesel Engine	Transmission
ENJ = 2.5L 4 Cyl 16V Turbo Diesel Engine	DGV = 4-Spd. Automatic VLP
ED1 = 2.4L 4 Cyl DOHC 16V SMPI Engine	Transmission
	DGQ = 5-Spd Automatic 5-45RFE
	Transmission
	DEH = 6-Speed Manual NSG370
	Transmission
	DDD = 5-Speed HD Manual
	Transmission
	DDK = 5-Speed HD Manual
	Transmission

AR = use ase required - = Non illustrated part

2006 KJ

Trim Panel, Front Door  
Figure IKJ-410



ITEM	PART NUMBER	QTY	LINE	SERIES	BODY	ENGINE	TRANS	TRIM	DESCRIPTION
	1AE121DBAB	1	U					*00	[DB],With Sales Code [CBF or CTC],Right Hand Drive, Right
	1AE121J3AB	1	U					*00	[J3],With Sales Code [CBF or CTC],Right Hand Drive, Right
	1AE131D1AB	1	U					*00	[J1],With Sales Code [CBF or CTC],Righr Hand Drive, Left
	1AE131D5AB	1	U					*00	[D5],With Sales Code [CBF or CTC],Right Hand Drive, Left
	1AE131DBAB	1	U					*00	[DB],With Sales Code [CBF or CTC],Right Hand Drive, Left
	1BA56BD5AB	1	J, T					*00	[D5],With Sales Code [CTL],With Turbo Diesel, Right
	1BA56ZJ3AB	1	J, T					*00	[J3],With Sales Code [CTL],With Turbo Diesel, Right
	1BA57BD5AB	1	J, T					*00	[D5],With Sales Code [CTL],With Turbo Diesel, Left
	1AE131J3AB	1	U					*00	[J3],With Sales Code [CBF or CTC],Right Hand Drive, Left
	1BA57ZJ3AB	1	J, T					*00	[J3],With Sales Code [CTL],With Turbo Diesel, Left
	1BA581D1AB	1	J, T					*00	[J1],With Sales Code [CBF or CTC],With Turbo Diesel, Right
	1BA581D5AB	1	J, T					*00	[D5],With Sales Code [CBF or CTC],With Turbo Diesel, Right
	1BA581J3AB	1	J, T					*00	[J3],With Sales Code [CBF or CTC],With Turbo Diesel, Right
	1BA591D1AB	1	J, T					*00	[J1],With Sales Code [CBF or CTC],With Turbo Diesel, Left
	1BA591D5AB	1	J, T					*00	[D5],With Sales Code [CBF or CTC],With Turbo Diesel, Left
	1BA581DBAB	1	J, T					*00	[DB],With Sales Code [CBF or CTC],With Turbo Diesel, Right
	1BA591DBAB	1	J, T					*00	[DB],With Sales Code [CBF or CTC],With Turbo Diesel, Left
	1BA591J3AB	1	J, T					*00	[J3],With Sales Code [CBF or CTC],With Turbo Diesel, Left
	1BU081D1AB	1	J, T					*00	[J1], With Sales Code [CTM], Right
	1BU081J3AB	1	J, T					*00	[J3], With Sales Code [CTM], Right
	1BU091D1AB	1	J, T					*00	[J1], With Sales Code [CTM], Left

LIBERTY (KJ)

SERIES            LINE  
H = HIGHLINE    T = JEEP - 2WD  
M = MEDIUM     J = JEEP - 4WD  
P = PREMIUM     U = JEEP - 4WD (RHD)

BODY  
74 = SPORT UTILITY 4-DR

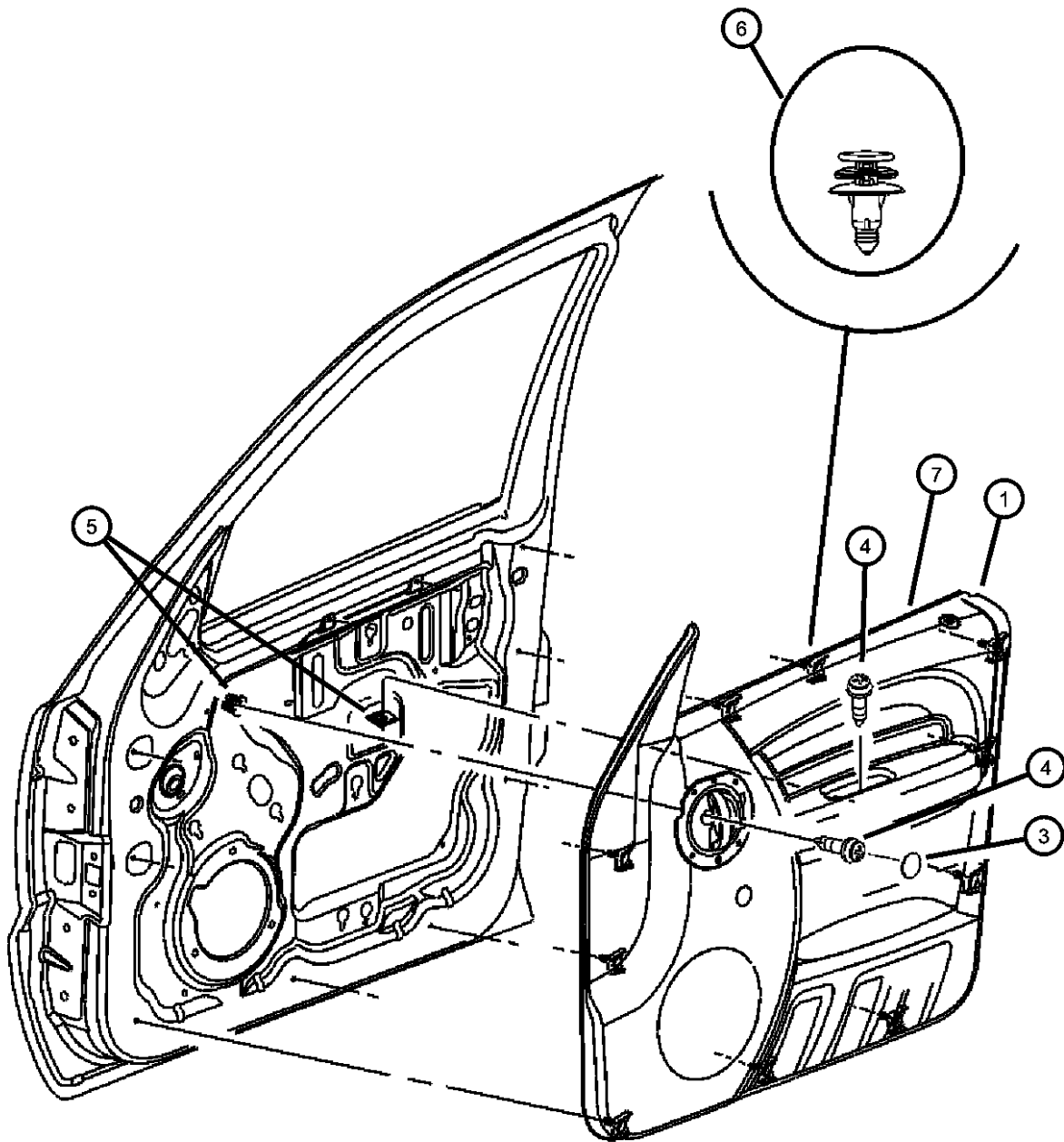
ENGINE  
EKG = 3.7L V6 Engine  
ENR = 2.8L 4 Cyl Turbo Diesel Engine  
ENJ = 2.5L 4 Cyl 16V Turbo Diesel Engine  
ED1 = 2.4L 4 Cyl DOHC 16v SMPI Engine

TRANSMISSION  
DG6 = 4-Spd. Automatic 42RLE Transmission  
DGV = 4-Spd. Automatic VLP Transmission  
DGQ = 5-Spd Automatic 5-45RFE Transmission  
DEH = 6-Speed Manual NSG370 Transmission  
DDD = 5-Speed HD Manual Transmission  
DDK = 5-Speed HD Manual Transmission

AR = use ase required - = Non illustrated part

2006 KJ

**Trim Panel, Front Door  
Figure IKJ-410**



ITEM	PART NUMBER	QTY	LINE	SERIES	BODY	ENGINE	TRANS	TRIM	DESCRIPTION
	1BU091D5AB	1	J, T					*O0	[D5], With Sales Code [CTM], Left
	1BU081D5AB	1	J, T					*O0	[D5], With Sales Code [CTM], Right
	1BU081DBAB	1	J, T					*O0	[DB], With Sales Code [CTM], Right
	1BU091J3AB	1	J, T					*O0	[J3], With Sales Code [CTM], Left
	1BU101D1AB	1	J, T					*O0	[J1], With Sales Code [CTM], With Turbo Diesel, Right
	1BU091DBAB	1	J, T					*O0	[DB], With Sales Code [CTM], Left
	1BU101J3AB	1	J, T					*O0	[J3], With Sales Code [CTM], With Turbo Diesel, Right
	1BU101D5AB	1	J, T					*O0	[D5], With Sales Code [CTM], With Turbo Diesel, Right
	1BU101DBAB	1	J, T					*O0	[DB], With Sales Code [CTM], With Turbo Diesel, Right
	1BU111DBAB	1	J, T					*O0	[DB], With Sales Code [CTM], With Turbo Diesel, Left
	1BU111D1AB	1	J, T					*O0	[J1], With Sales Code [CTM], With Turbo Diesel, Left
	1BU111D5AB	1	J, T					*O0	[D5], With Sales Code [CTM], With Turbo Diesel, Left
	1BU111J3AB	1	J, T					*O0	[J3], With Sales Code [CTM], With Turbo Diesel, Left
	1BU121D1AB	1	U					*O0	[J1], With Sales Code [CTM], Right Hand Drive, Right
	1BU121D5AB	1	U					*O0	[D5], With Sales Code [CTM], Right Hand Drive, Right
	1BU121DBAB	1	U					*O0	[DB], With Sales Code [CTM], Right Hand Drive, Right
	1BU121J3AB	1	U					*O0	[J3], With Sales Code [CTM], Right Hand Drive, Right
	1BU131D1AB	1	U					*O0	[J1], With Sales Code [CTM], Right Hand Drive, Left
	1BU131D5AB	1	U					*O0	[D5], With Sales Code [CTM], Right Hand Drive, Left
	1BU131DBAB	1	U					*O0	[DB], With Sales Code [CTM], Right Hand Drive, Left
	1BU131J3AB	1	U					*O0	[J3], With Sales Code [CTM], Right Hand Drive, Left

**LIBERTY (KJ)**

SERIES	LINE
H = HIGHLINE	T = JEEP - 2WD
M = MEDIUM	J = JEEP - 4WD
P = PREMIUM	U = JEEP - 4WD (RHD)

BODY  
74 = SPORT UTILITY 4-DR

ENGINE  
EKG = 3.7L V6 Engine  
ENR = 2.8L 4 Cyl Turbo Diesel Engine  
ENJ = 2.5L 4 Cyl 16V Turbo Diesel Engine  
ED1 = 2.4L 4 Cyl DOHC 16v SMPI Engine

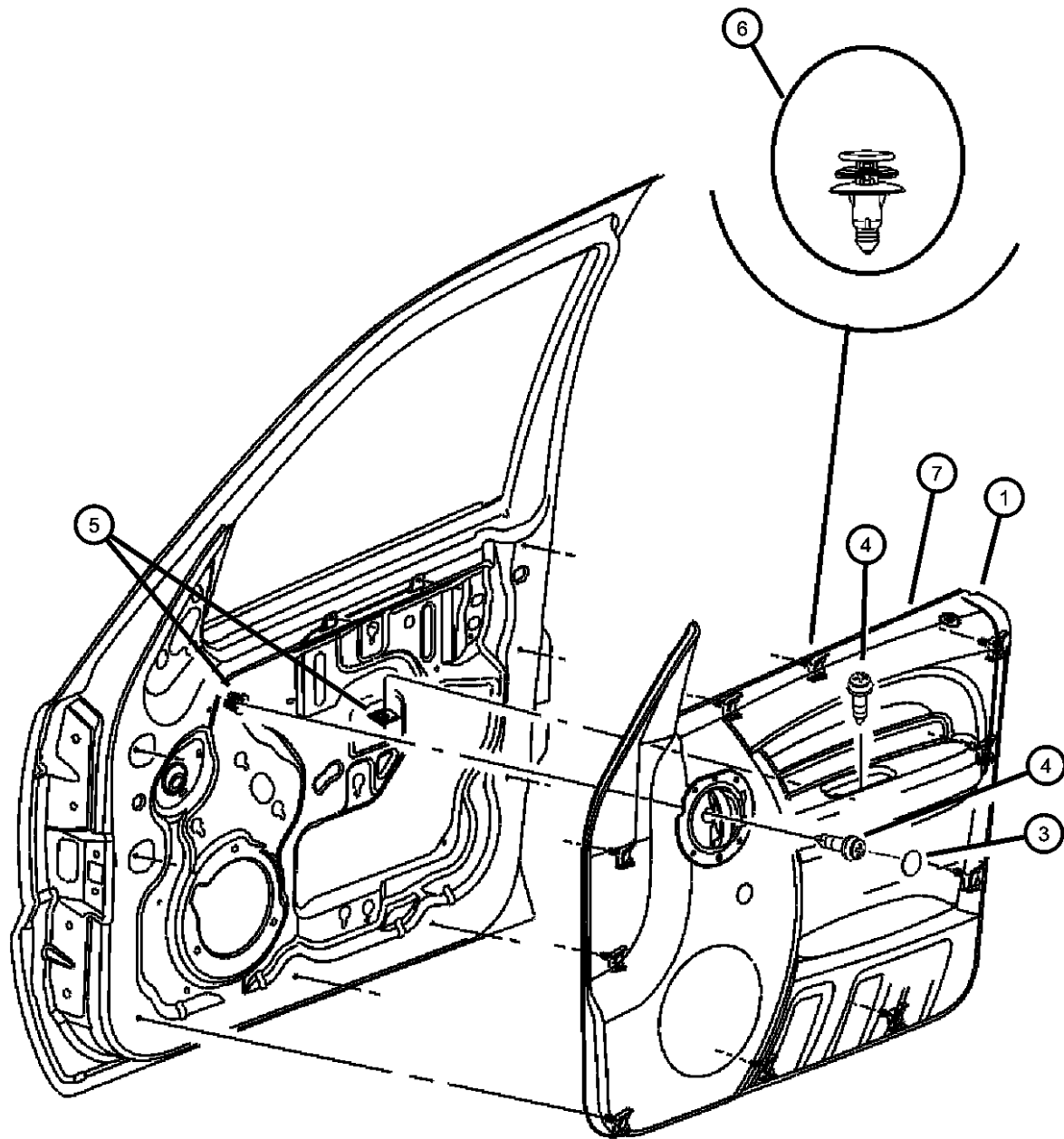
TRANSMISSION  
DG6 = 4-Spd. Automatic 42RLE Transmission  
DGV = 4-Spd. Automatic VLP Transmission  
DGQ = 5-Spd Automatic 5-45RFE Transmission  
DEH = 6-Speed Manual NSG370 Transmission  
DDD = 5-Speed HD Manual Transmission  
DDK = 5-Speed HD Manual Transmission

AR = use ase required - = Non illustrated part

2006 KJ

Trim Panel, Front Door  
Figure IKJ-410

ITEM	PART NUMBER	QTY	LINE	SERIES	BODY	ENGINE	TRANS	TRIM	DESCRIPTION
-2	04658677	2						*O0	CLIP, Latch Link
3									PLUG, Door Trim Panel
	5GY30BD5AA	2						*O0	[DB, D5]
	5GY30ZJ3AA	2						*O0	[J1, J3]
4	5GY30ZJ3AA	2							SCREW, .164-18x1.00, (NOT SERVICED),
5	06504993AA	2							NUT
6	55116997AB	9						*O0	RETAINER, Trim Panel, Grommet and Pin
7	55235878AC	1	J, T					*O0	WEATHERSTRIP, Door Belt Moulding



LIBERTY (KJ)

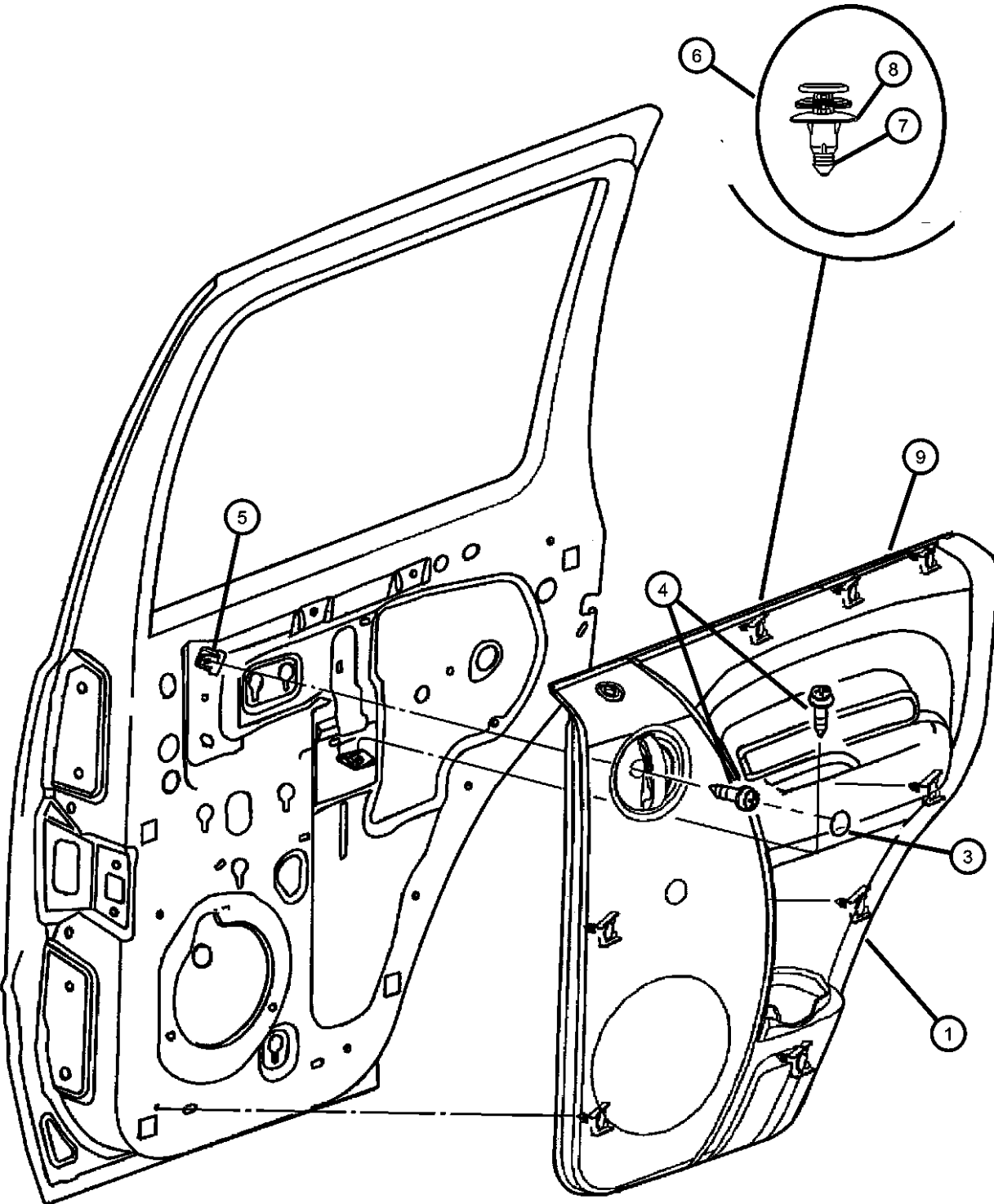
SERIES      LINE  
H = HIGHLINE    T = JEEP - 2WD  
M = MEDIUM     J = JEEP - 4WD  
P = PREMIUM    U = JEEP - 4WD (RHD)

BODY  
74 = SPORT UTILITY 4-DR

ENGINE      TRANSMISSION  
EKG = 3.7L V6 Engine      DG6 = 4-Spd. Automatic 42RLE  
ENR = 2.8L 4 Cyl Turbo Diesel Engine      DG7 = 4-Spd. Automatic VLP  
ENJ = 2.5L 4 Cyl 16V Turbo Diesel Engine      DGQ = 5-Spd Automatic 5-45RFE  
ED1 = 2.4L 4 Cyl DOHC 16v SMPI Engine      DEH = 6-Speed Manual NSG370  
Transmission  
DDD = 5-Speed HD Manual Transmission  
DDK = 5-Speed HD Manual Transmission

AR = use ase required - = Non illustrated part

**Trim Panel, Rear Door  
Figure IKJ-420**



ITEM	PART NUMBER	QTY	LINE	SERIES	BODY	ENGINE	TRANS	TRIM	DESCRIPTION
------	-------------	-----	------	--------	------	--------	-------	------	-------------

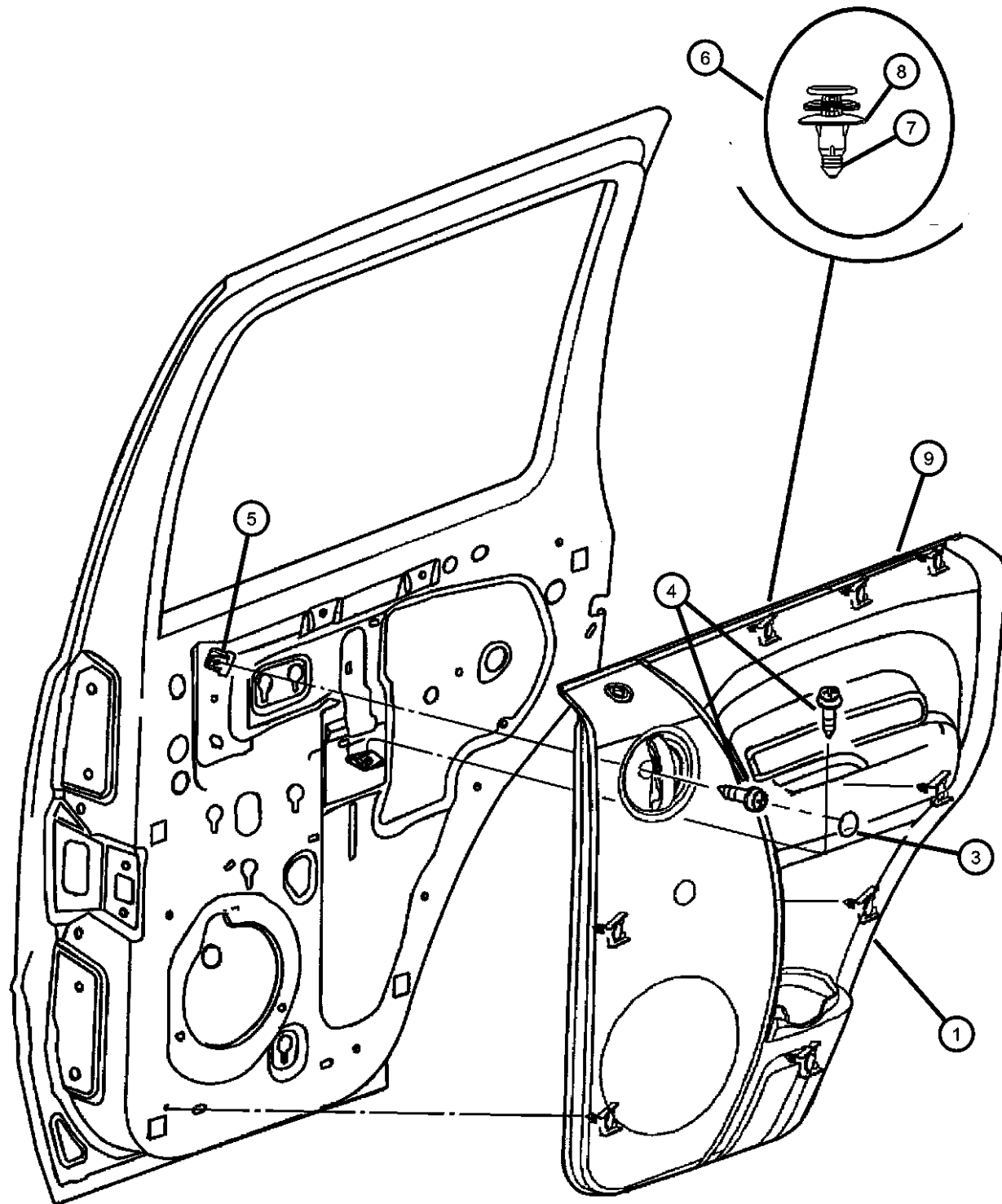
Sales Codes:  
 [CBF] = Premium Vinyl Bolster, Bright Door Handle  
 [CTC] = Leather  
 [CTL] = Base, Vinyl Bolster, Color Keyed Door Handle  
 [CTM] = Deluxe

1									PANEL, Rear Door Trim, Includes Door Handle
	5GF18BD5AU	1						*O0	[D5], With Sales Code [CTL], Right
	5GF18ZJ3AU	1						*O0	[J3], With Sales Code [CTL], Right
	5GF19BD5AU	1						*O0	[D5], With Sales Code [CTL], Left
	5GF19ZJ3AU	1						*O0	[J3], With Sales Code [CTL], Left
	5GF201D1AW	1						*O0	[J1], With Sales Codes [CBF], [CTC], [CTM], Right
	5GF201D5AW	1						*O0	[DB, D5], With Sales Codes [CBF], [CTC], [CTM], Right
	5GF201J3AW	1						*O0	[J3], With Sales Codes [CBF], [CTC], [CTM], Right
	5GF211D1AW	1						*O0	[J1], With Sales Codes [CBF], [CTC], [CTM], Left
	5GF211D5AW	1						*O0	[DB, D5], With Sales Codes [CBF], [CTC], [CTM], Left
	5GF211J3AW	1						*O0	[J3], With Sales Codes [CBF], [CTC], [CTM], Left
-2	04658677	2						*O0	CLIP, Latch Link, Also serviced with the Door Panel PLUG, Door Trim Panel
3									
	5GY30BD5AA	2						*O0	[DB, D5]
	5GY30ZJ3AA	2						*O0	[J1, J3]
4	5GY30ZJ3AA	2							SCREW, .164-18x1.00, (NOT SERVICED), NUT
5	06504993AA	2							
6	55116997AB	9						*O0	RETAINER, Trim Panel, Grommet and Pin
7	05023174AA	9						*O0	PIN, Push, Also serviced with 5023713AA
8	05023175AA	9						*O0	GROMMET, Also serviced with 5023713AA

LIBERTY (KJ)		BODY	ENGINE	TRANSMISSION
SERIES	LINE			
H = HIGHLINE	T = JEEP - 2WD	74 = SPORT UTILITY 4-DR	EKG = 3.7L V6 Engine	DG6 = 4-Spd. Automatic 42RLE
M = MEDIUM	J = JEEP - 4WD		ENR = 2.8L 4 Cyl Turbo Diesel Engine	Transmission
P = PREMIUM	U = JEEP - 4WD (RHD)		ENJ = 2.5L 4 Cyl 16V Turbo Diesel Engine	DGV = 4-Spd. Automatic VLP
			ED1 = 2.4L 4 Cyl DOHC 16v SMPI Engine	Transmission
				DGQ = 5-Spd Automatic 5-45RFE
				Transmission
				DEH = 6-Speed Manual NSG370
				Transmission
				DDD = 5-Speed HD Manual
				Transmission
				DDK = 5-Speed HD Manual
				Transmission

AR = use ase required - = Non illustrated part

Trim Panel, Rear Door  
Figure IKJ-420

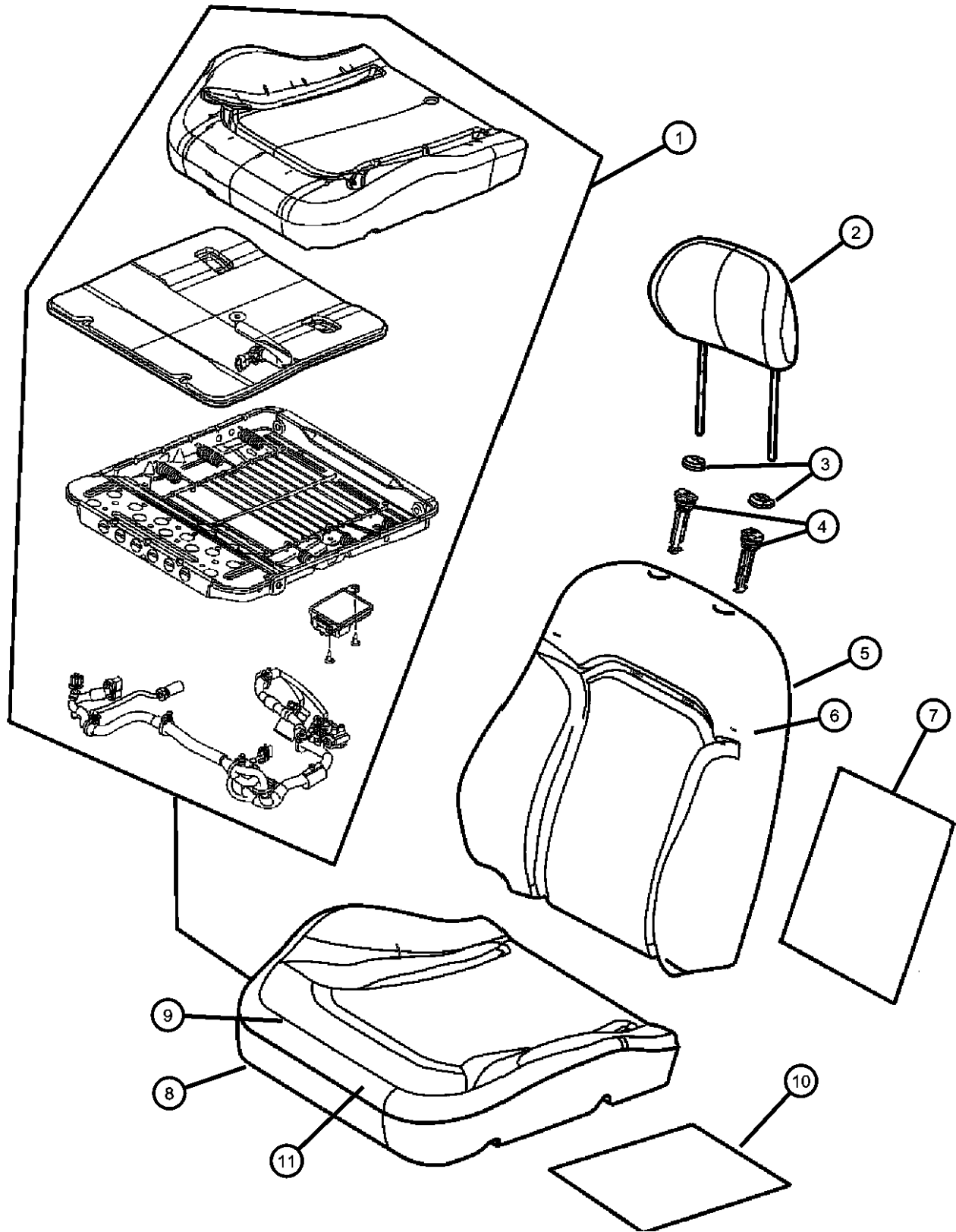


ITEM	PART NUMBER	QTY	LINE	SERIES	BODY	ENGINE	TRANS	TRIM	DESCRIPTION
9									WEATHERSTRIP, Door Belt Moulding
	55235886AC	1						*00	Right
	55235887AC	1						*00	Left

<b>LIBERTY (KJ)</b>				
SERIES	LINE	BODY	ENGINE	TRANSMISSION
H = HIGHLINE	T = JEEP - 2WD	74 = SPORT UTILITY 4-DR	EKG = 3.7L V6 Engine	DG6 = 4-Spd. Automatic 42RLE
M = MEDIUM	J = JEEP - 4WD		ENR = 2.8L 4 Cyl Turbo Diesel Engine	Transmission
P = PREMIUM	U = JEEP - 4WD (RHD)		ENJ = 2.5L 4 Cyl 16V Turbo Diesel Engine	DGV = 4-Spd. Automatic VLP
			ED1 = 2.4L 4 Cyl DOHC 16v SMPI Engine	Transmission
				DGQ = 5-Spd Automatic 5-45RFE
				Transmission
				DEH = 6-Speed Manual NSG370
				Transmission
				DDD = 5-Speed HD Manual
				Transmission
				DDK = 5-Speed HD Manual
				Transmission

AR = use ase required - = Non illustrated part

**Front Seat, Leather, Low Back, Trim Code [DL]  
Figure IKJ-510**



ITEM	PART NUMBER	QTY	LINE	SERIES	BODY	ENGINE	TRANS	TRIM	DESCRIPTION
------	-------------	-----	------	--------	------	--------	-------	------	-------------

Note; For United States/Canada vehicles only, if right side Cushion Foam is needed order Bladder Repair Kit. Do not attempt to replace the right side

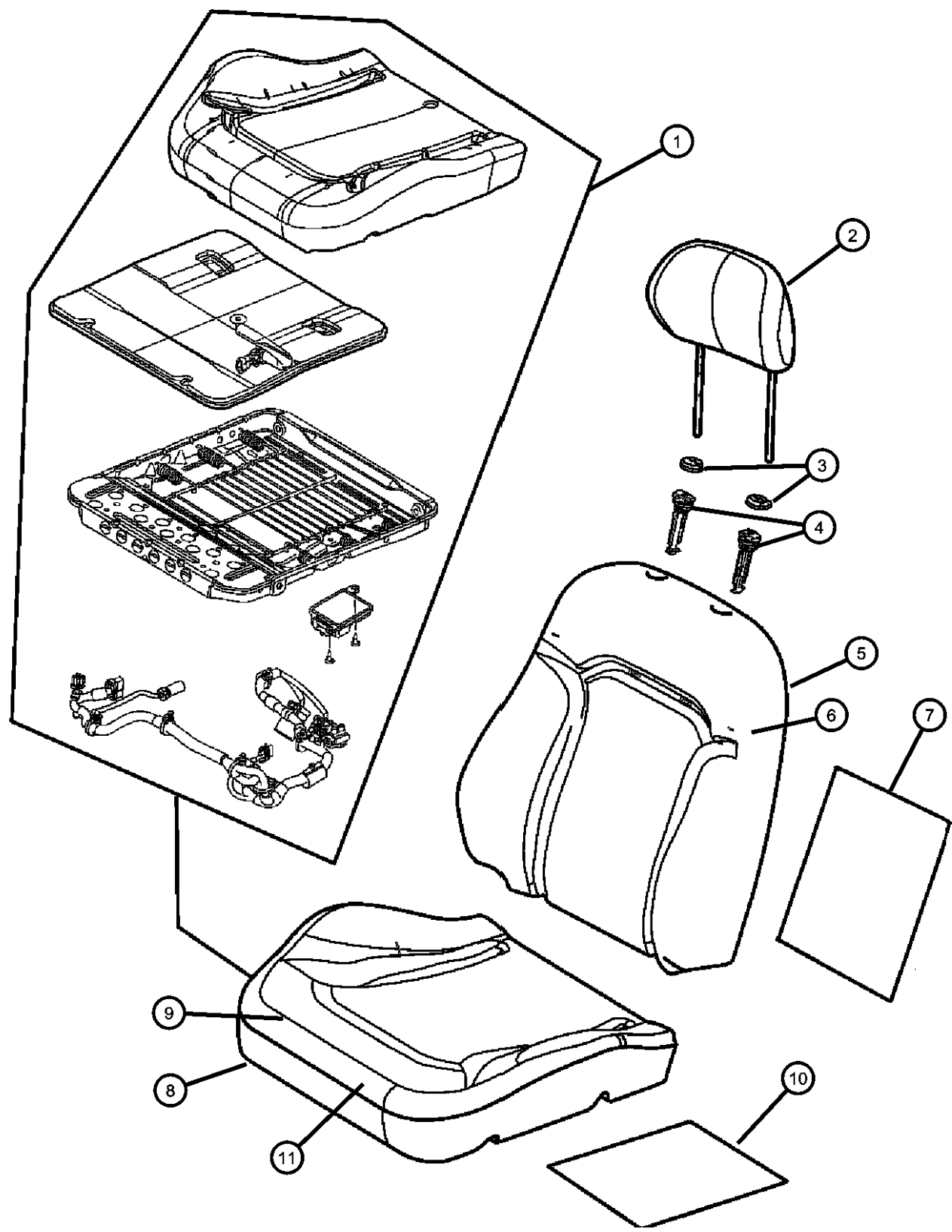
1									BLADDER REPAIR KIT, Occupant Classification System, See Note, Right Side Only
	05189816AA	1	J, T		74			*DL	With Non-Heated Seat, Right Side Only
	05189815AA	1	J, T		74			*DL	With Heated Seat, Right Side Only
2									HEADREST, Front
	1BB651D1AA	2	J, T					*DL	[J1]
		2	J, U					*DL	[J1]
	1BB651DBAA	2	J, T					*DL	[DB]
		2	J, U					*DL	[DB]
3									CAP, Headrest Adjuster
	0WA491D1AA	1	J, T					*DL	[J1], With Button
		1	J, U					*DL	[J1], With Button, Export
	0WA491DBAA	1	J, T					*DL	[DB]. With Button
		1	J, U					*DL	[DB]. With Button, Export
	0WA501D1AA	1	J, T					*DL	[J1], Without Button
		1	J, U					*DL	[J1], Without Button, Export
	0WA501DBAA	1	J, T					*DL	[DB], Without Button
		1	J, U					*DL	[DB], Without Button, Export
4									SLEEVE, Headrest
	05066563AA	2	J, T					*DL	
		2	J, U					*DL	
5									BACK, Front Seat
	1BB541D1AA	1	J, T					*DL	[J1], Non-Heated, Right
		1	J, U					*DL	[J1], Non-Heated, Right
	1BB541DBAA	1	J, T					*DL	[DB]. Non-Heated, Right
		1	J, U					*DL	[DB]. Non-Heated, Right
	1BB551D1AA	1	J, T					*DL	[J1], Non-Heated, Left
		1	J, U					*DL	[J1], Non-Heated, Left

<b>LIBERTY (KJ)</b>				
SERIES	LINE	BODY	ENGINE	TRANSMISSION
H = HIGHLINE	T = JEEP - 2WD	74 = SPORT UTILITY 4-DR	EKG = 3.7L V6 Engine	DG6 = 4-Spd. Automatic 42RLE
M = MEDIUM	J = JEEP - 4WD		ENR = 2.8L 4 Cyl Turbo Diesel Engine	Transmission
P = PREMIUM	U = JEEP - 4WD (RHD)		ENJ = 2.5L 4 Cyl 16V Turbo Diesel Engine	DGV = 4-Spd. Automatic VLP
			ED1 = 2.4L 4 Cyl DOHC 16v SMPI Engine	Transmission
				DGQ = 5-Spd Automatic 5-45RFE
				Transmission
				DEH = 6-Speed Manual NSG370
				Transmission
				DDD = 5-Speed HD Manual
				Transmission
				DDK = 5-Speed HD Manual
				Transmission

AR = use ase required - = Non illustrated part



**Front Seat, Leather, Low Back, Trim Code [DL]  
Figure IKJ-510**



ITEM	PART NUMBER	QTY	LINE	SERIES	BODY	ENGINE	TRANS	TRIM	DESCRIPTION
	1BB551DBAA	1	J, T					*DL	[DB]. Non-Heated, Left
		1	J, U					*DL	[DB]. Non-Heated, Left
	1BB561D1AA	1	J, T					*DL	[J1], Heated, Right
		1	J, U					*DL	[J1], Heated, Right
	1BB561DBAA	1	J, T					*DL	[DB], Heated, Right
		1	J, U					*DL	[DB], Heated, Right
	1BB571D1AA	1	J, T					*DL	[J1], Heated, Left
		1	J, U					*DL	[J1], Heated, Left
	1BB571DBAA	1	J, T					*DL	[DB], Heated, Left
		1	J, U					*DL	[DB], Heated, Left
6									COVER, Front Seat Back
	1BB521D1AA	1	J, T					*DL	[J1], Right
		1	J, U					*DL	[J1], Right
	1BB521DBAA	1	J, T					*DL	[BD], Right
		1	J, U					*DL	[BD], Right
	1BB531D1AA	1	J, T					*DL	[J1], Left
		1	J, U					*DL	[J1], Left
	1BB531DBAA	1	J, T					*DL	[BD], Left
		1	J, U					*DL	[BD], Left
7									PAD, Heater, Back
	05142762AA	1	J, T					*DL	Back
		1	J, U					*DL	Back
8									FRAME, Front Seat Cushion
	05126322AA	1	J, U					*DL	Export Only. See Note, Right
	05126323AA	1	J, T					*DL	, Left
		1	J, U					*DL	Left
9									COVER, Front Seat Cushion
	1BB501D1AA	1	J, U					*DL	[J1], Right
		1	J, T					*DL	[J1], Right
	1BB501DBAA	1	J, T					*DL	[DB], Right

**LIBERTY (KJ)**  
 SERIES                      LINE  
 H = HIGHLINE              T = JEEP - 2WD  
 M = MEDIUM                J = JEEP - 4WD  
 P = PREMIUM                U = JEEP - 4WD (RHD)

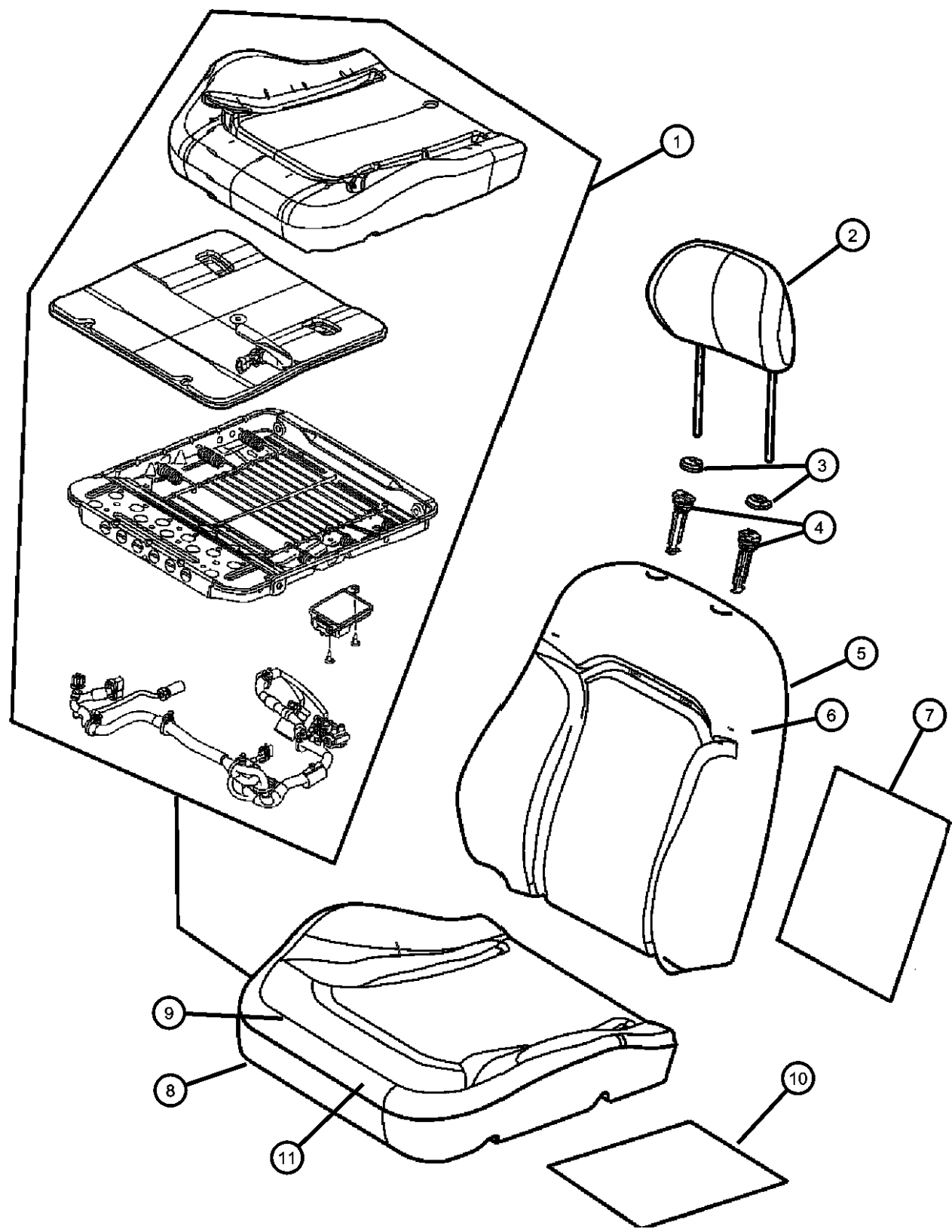
**BODY**  
 74 = SPORT UTILITY 4-DR

**ENGINE**  
 EKG = 3.7L V6 Engine  
 ENR = 2.8L 4 Cyl Turbo Diesel Engine  
 ENJ = 2.5L 4 Cyl 16V Turbo Diesel Engine  
 ED1 = 2.4L 4 Cyl DOHC 16v SMPI Engine

**TRANSMISSION**  
 DG6 = 4-Spd. Automatic 42RLE Transmission  
 DGV = 4-Spd. Automatic VLP Transmission  
 DGQ = 5-Spd Automatic 5-45RFE Transmission  
 DEH = 6-Speed Manual NSG370 Transmission  
 DDD = 5-Speed HD Manual Transmission  
 DDK = 5-Speed HD Manual Transmission

AR = use ase required - = Non illustrated part

Front Seat, Leather, Low Back, Trim Code [DL]  
Figure IKJ-510

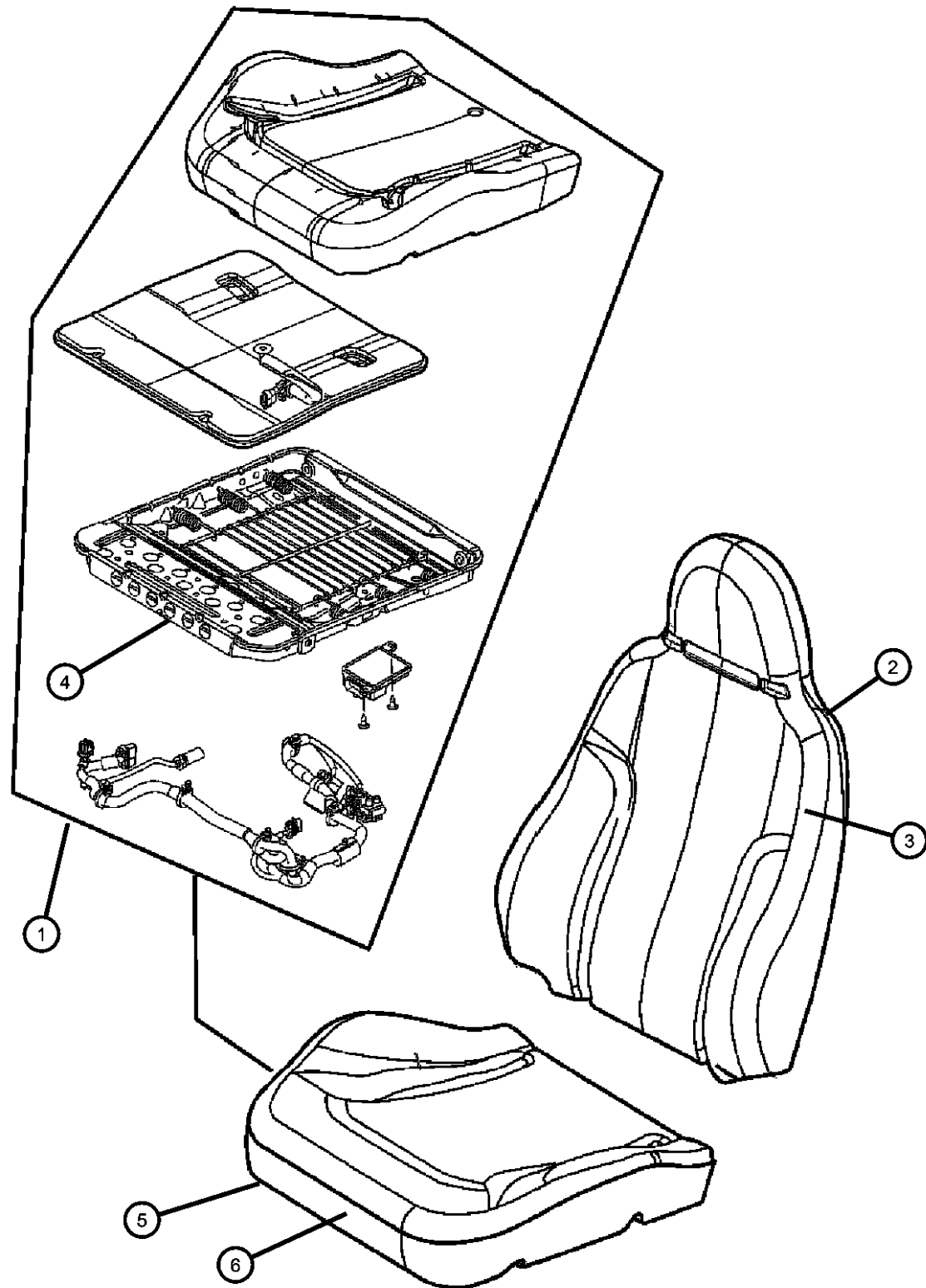


ITEM	PART NUMBER	QTY	LINE	SERIES	BODY	ENGINE	TRANS	TRIM	DESCRIPTION
		1	J, U					*DL	[DB], Right
	1BB511D1AA	1	J, T					*DL	[J1], Left
		1	J, U					*DL	[J1], Left
	1BB511DBAA	1	J, T					*DL	[DB], Left
		1	J, U					*DL	[DB], Left
10									PAD, Heater, Cushion
	05142763AA	2	J, U					*DL	
		2	J, T					*DL	
11									FOAM, Seat Cushion
	05142748AA	1	J, T					*DL	Left Side Domestic, See Note For Right Side Domestic
		1	J, U					*DL	Left Side Export
	05191262AA	1	J, U					*DL	Right Side Export
		1	J, T					*DL	Right Side Domestic
-12	05191973AA	1	J, T					*DL	WIRE KIT, Trimming

<b>LIBERTY (KJ)</b>				
SERIES	LINE	BODY	ENGINE	TRANSMISSION
H = HIGHLINE	T = JEEP - 2WD	74 = SPORT UTILITY 4-DR	EKG = 3.7L V6 Engine	DG6 = 4-Spd. Automatic 42RLE
M = MEDIUM	J = JEEP - 4WD		ENR = 2.8L 4 Cyl Turbo Diesel Engine	Transmission
P = PREMIUM	U = JEEP - 4WD (RHD)		ENJ = 2.5L 4 Cyl 16V Turbo Diesel Engine	DGV = 4-Spd. Automatic VLP
			ED1 = 2.4L 4 Cyl DOHC 16v SMPI Engine	Transmission
				DGQ = 5-Spd Automatic 5-45RFE
				Transmission
				DEH = 6-Speed Manual NSG370
				Transmission
				DDD = 5-Speed HD Manual
				Transmission
				DDK = 5-Speed HD Manual
				Transmission

AR = use ase required - = Non illustrated part

**Front Seat, Cloth, High Back, Trim Code [N5]  
Figure IKJ-520**



ITEM	PART NUMBER	QTY	LINE	SERIES	BODY	ENGINE	TRANS	TRIM	DESCRIPTION
------	-------------	-----	------	--------	------	--------	-------	------	-------------

Note: For United States/Canada vehicles only, if right side Cushion Foam is needed order Bladder Repair Kit. Do not attempt to replace the right side

1	05189817AA	1	J, T		74			*N5	BLADDER REPAIR KIT, Occupant Classification System, See Note, Right Side Only
2									BACK, Front Seat
	1BC721D5AA	1	J, T					*N5	[D5], Right
	1BC721J3AA	1	J, T					*N5	[J3], Right
	1BC731D5AA	1	J, T					*N5	[D5], Left
	1BC731J3AA	1	J, T					*N5	[J3], Left
3									COVER, Front Seat Back
	1BC701D5AA	1	J, T					*N5	[D5], Right & Left
	1BC701J3AA	1	J, T					*N5	[J3], Right & Left
4									FRAME, Front Seat Cushion
	05126323AA	1	J, T					*N5	Left
	05126322AA	1	J, T					*N5	Export Only. See Note, Right
5									COVER, Front Seat Cushion
	1BC711D5AA	2	J, T					*N5	[D5], Right & Left
	1BC711J3AA	2	J, T					*N5	[J3], Right & Left
6	05142748AA	2	J, T					*N5	FOAM, Seat Cushion, Left Side Domestic, See Note For Right Side Domestic
-7	05191973AA	1	J, T					*N5	WIRE KIT, Trimming

**LIBERTY (KJ)**

SERIES      LINE  
H = HIGHLINE      T = JEEP - 2WD  
M = MEDIUM      J = JEEP - 4WD  
P = PREMIUM      U = JEEP - 4WD (RHD)

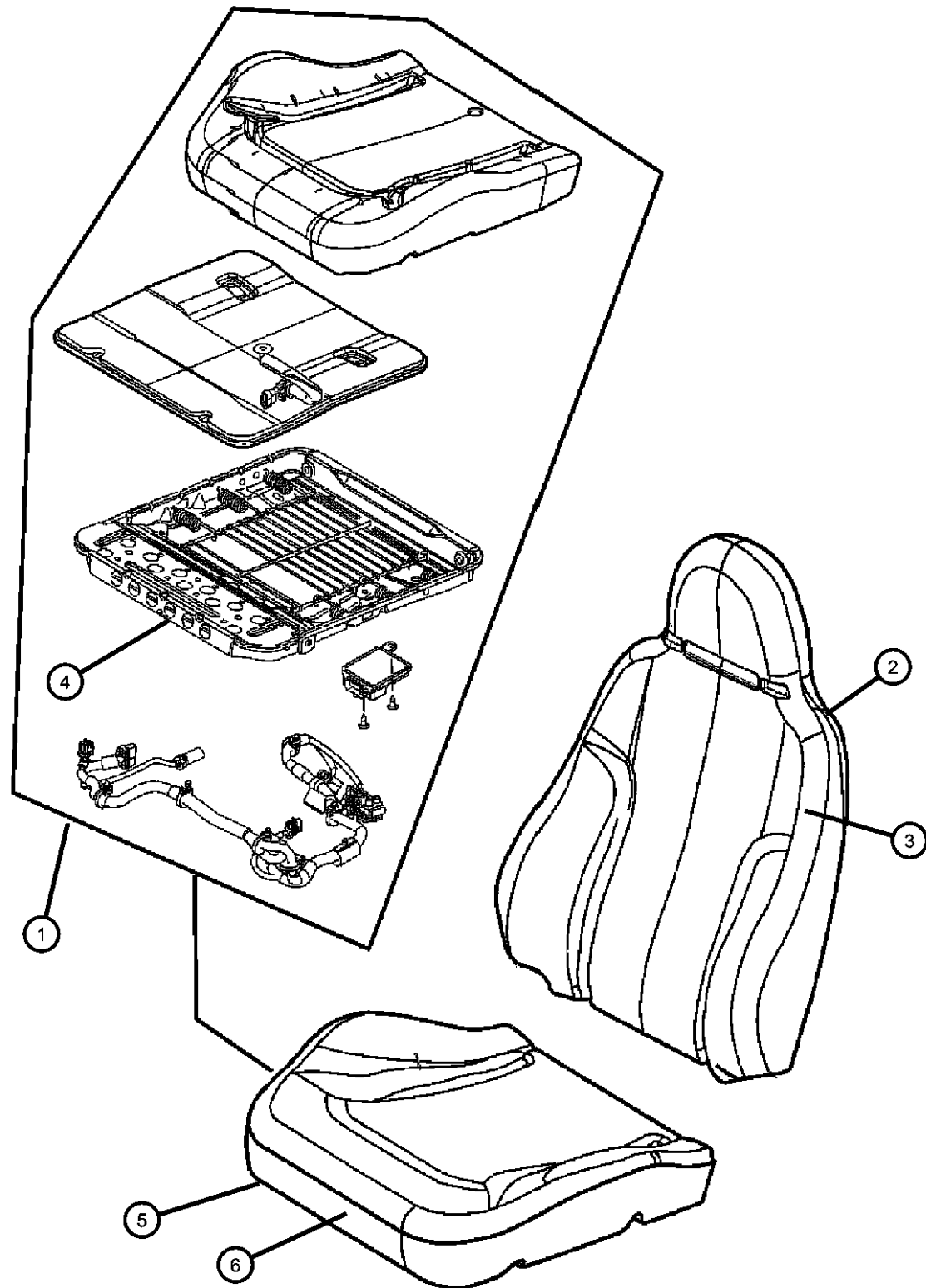
BODY  
74 = SPORT UTILITY 4-DR

ENGINE      TRANSMISSION  
EKG = 3.7L V6 Engine      DG6 = 4-Spd. Automatic 42RLE  
ENR = 2.8L 4 Cyl Turbo Diesel      Transmission  
Engine      DGV = 4-Spd. Automatic VLP  
ENJ = 2.5L 4 Cyl 16V Turbo      Transmission  
Diesel Engine      DGQ = 5-Spd Automatic 5-45RFE  
ED1 = 2.4L 4 Cyl DOHC 16v      Transmission  
SMPI Engine      DEH = 6-Speed Manual NSG370  
Transmission  
DDD = 5-Speed HD Manual  
Transmission  
DDK = 5-Speed HD Manual  
Transmission

AR = use ase required - = Non illustrated part

2006 KJ

**Front Seat, Cloth, High Back, Trim Code [B5]  
Figure IKJ-530**



ITEM	PART NUMBER	QTY	LINE	SERIES	BODY	ENGINE	TRANS	TRIM	DESCRIPTION
Note: For United States/Canada vehicles only, if right side Cushion Foam is needed order Bladder Repair Kit. Do not attempt to replace the right side									
1	05189817AA	1	J, T		74			*B5	BLADDER REPAIR KIT, Occupant Classification System, See Note, Right Side Only
2									BACK, Front Seat
	1BD061D5AA	1	J, T					*B5	[D5], Right
	1BD061J3AA	1	J, T					*B5	[J3], Right
	1BD071D5AA	1	J, T					*B5	[D5], Left
	1BD071J3AA	1	J, T					*B5	[J3], Left
3									COVER, Front Seat Back
	1BD041D5AA	1	J, T					*B5	[D5], Right
	1BD041J3AA	1	J, T					*B5	[J3], Right
	1BD051D5AA	1	J, T					*B5	[D5], Left
	1BD051J3AA	1	J, T					*B5	[J3], Left
4									FRAME, Front Seat Cushion
	05126322AA	1	J, T					*B5	Export Only. See Note, Right
	05126323AA	1	J, T					*B5	, Left
5									COVER, Front Seat Cushion
	1BC911D5AA	2	J, T					*B5	[D5]
	1BC911J3AA	2	J, T					*B5	[J3]
6									FOAM, Seat Cushion
	05142748AA	1	J, T					*B5	Left Side Export
	05191262AA	1	J, T					*B5	Left Side Domestic, See Note For Right Side Domestic
		1	J, U		74			*B7	Right Side Export
-7	05191973AA	1	J, T					*B5	WIRE KIT, Trimming

**LIBERTY (KJ)**

SERIES      LINE  
H = HIGHLINE    T = JEEP - 2WD  
M = MEDIUM     J = JEEP - 4WD  
P = PREMIUM    U = JEEP - 4WD (RHD)

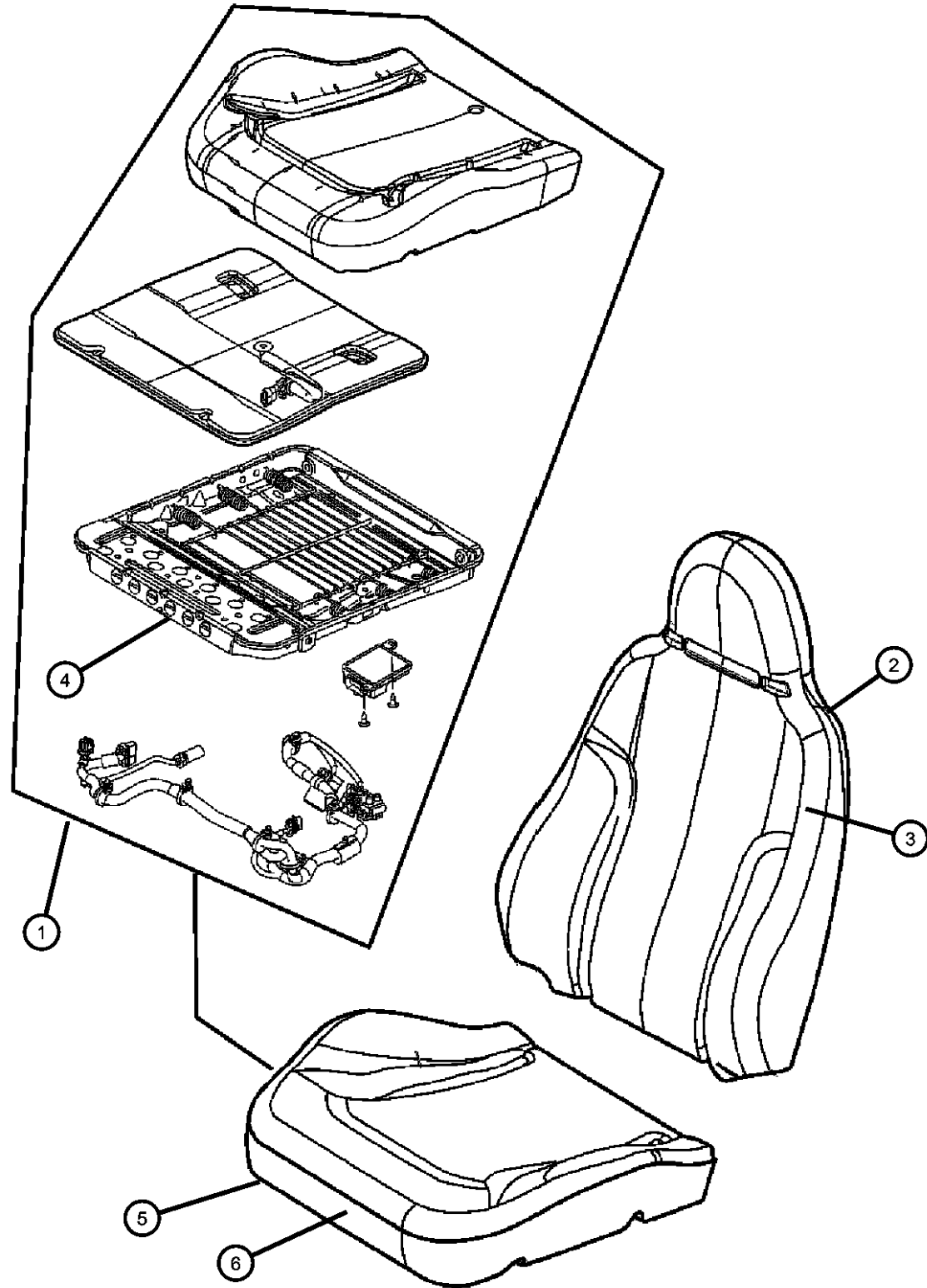
BODY  
74 = SPORT UTILITY 4-DR

ENGINE      TRANSMISSION  
EKG = 3.7L V6 Engine      DG6 = 4-Spd. Automatic 42RLE  
ENR = 2.8L 4 Cyl Turbo Diesel      Transmission  
Engine      DGV = 4-Spd. Automatic VLP  
ENJ = 2.5L 4 Cyl 16V Turbo      Transmission  
Diesel Engine      DGQ = 5-Spd Automatic 5-45RFE  
ED1 = 2.4L 4 Cyl DOHC 16v      Transmission  
SMPI Engine      DEH = 6-Speed Manual NSG370  
Transmission  
DDD = 5-Speed HD Manual  
Transmission  
DDK = 5-Speed HD Manual  
Transmission

AR = use ase required - = Non illustrated part

2006 KJ

**Front Seat, Cloth, High Back, Trim Code [A5]  
Figure IKJ-540**



ITEM	PART NUMBER	QTY	LINE	SERIES	BODY	ENGINE	TRANS	TRIM	DESCRIPTION
------	-------------	-----	------	--------	------	--------	-------	------	-------------

Note: For United States/Canada vehicles only, if right side Cushion Foam is needed order Bladder Repair Kit. Do not attempt to replace the right side

1	05189817AA	1	J, T		74			*A5	BLADDER REPAIR KIT, Occupant Classification System, See Note, Right Side Only
2									BACK, Front Seat
	1FC461D5AA	1	J, T		74			*A5	[D5], Right
	1FC461J3AA	1	J, T		74			*A5	[J3], Right
	1FC471D5AA	1	J, T		74			*A5	[D5], Left
	1FC471J3AA	1	J, T		74			*A5	[J3], Left
3									COVER, Front Seat Back
	1FC431D5AA	1	J, T		74			*A5	[D5], Right & Left
	1FC431J3AA	1	J, T		74			*A5	[J3], Right & Left
4									FRAME, Front Seat Cushion
	05126323AA	1	J, T		74			*A5	Left
	05126322AA	1	T, J		74			*A5	Export Only. See Note, Right
5									COVER, Front Seat Cushion
	1BC711D5AA	2	J, T		74			*A5	[D5], Right & Left
	1BC711J3AA	2	J, T		74			*A5	[J3], Right & Left
6	05142748AA	1	J, T		74			*A5	FOAM, Seat Cushion Right & Left
-7	05191973AA	2	J, T		74			*A5	WIRE KIT, Trimming

**LIBERTY (KJ)**

**SERIES**

H = HIGHLINE  
M = MEDIUM  
P = PREMIUM

**LINE**

T = JEEP - 2WD  
J = JEEP - 4WD  
U = JEEP - 4WD (RHD)

**BODY**

74 = SPORT UTILITY 4-DR

**ENGINE**

EKG = 3.7L V6 Engine  
ENR = 2.8L 4 Cyl Turbo Diesel Engine  
ENJ = 2.5L 4 Cyl 16V Turbo Diesel Engine  
ED1 = 2.4L 4 Cyl DOHC 16v SMPI Engine

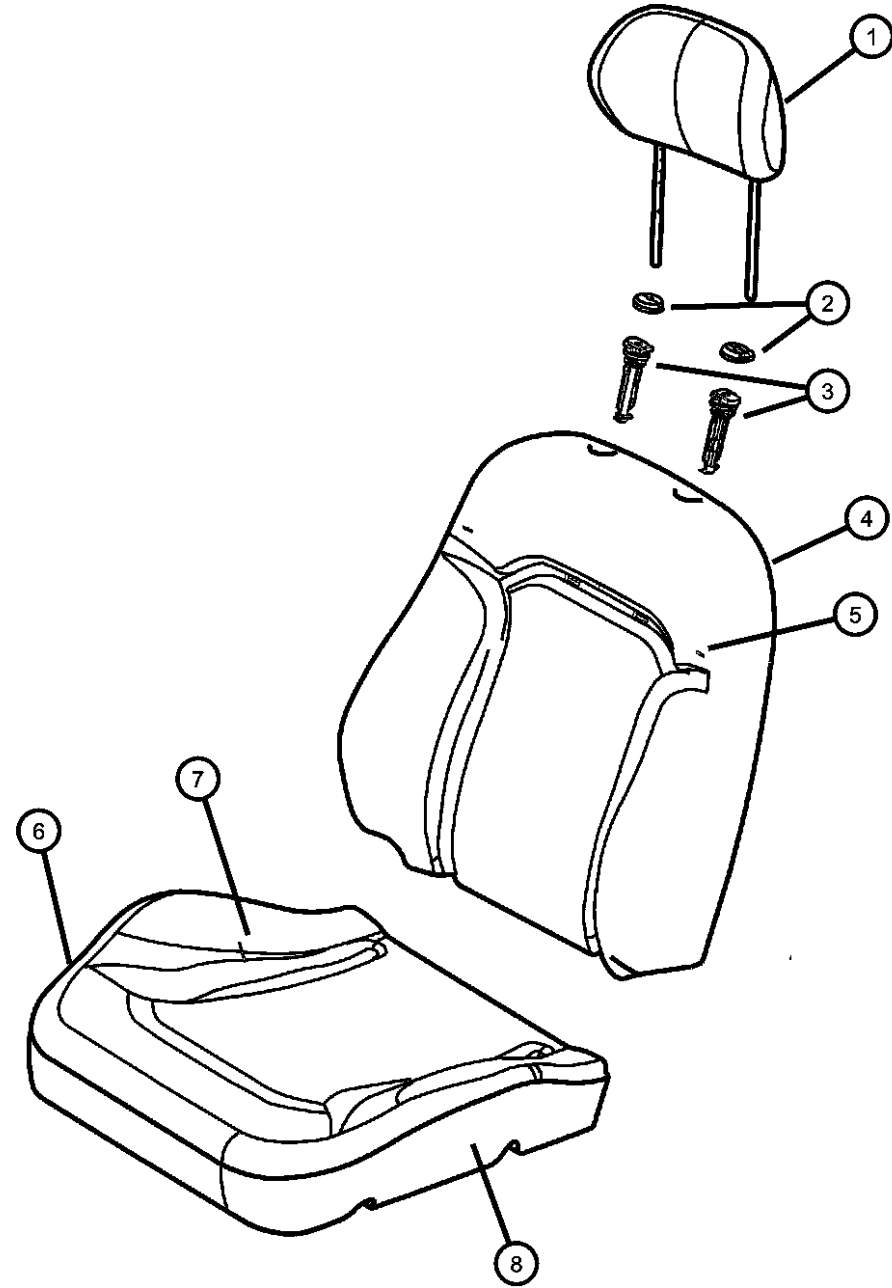
**TRANSMISSION**

DG6 = 4-Spd. Automatic 42RLE Transmission  
DGV = 4-Spd. Automatic VLP Transmission  
DGQ = 5-Spd Automatic 5-45RFE Transmission  
DEH = 6-Speed Manual NSG370 Transmission  
DDD = 5-Speed HD Manual Transmission  
DDK = 5-Speed HD Manual Transmission

AR = use ase required - = Non illustrated part

2006 KJ

Front Seat, Cloth, Low Back, Trim Code [B7]  
Figure IKJ-550



ITEM	PART NUMBER	QTY	LINE	SERIES	BODY	ENGINE	TRANS	TRIM	DESCRIPTION
1	1BC671D5AA	2	J, U					*B7	HEADREST, Front [D5]
	1BC671J3AA	2	J, U					*B7	[J3]
2	0WA491D5AA	1	J, U					*B7	CAP, Headrest Adjuster [D5] With Button
	0WA491J3AA	1	J, U					*B7	[J3] With Button
	0WA501D5AA	1	J, U					*B7	[D5] Without Button
	0WA501J3AA	1	J, U					*B7	[J3] Without Button
3	05066563AA	2	J, U					*B7	SLEEVE, Headrest
4	1BC641D5AA	1	J, U					*B7	BACK, Front Seat [D5], Right
	1BC641J3AA	1	J, U					*B7	[J3], Right
	1BC651D5AA	1	J, U					*B7	[D5], Left
	1BC651J3AA	1	J, U					*B7	[J3], Left
5	1BC661D5AA	1	J, U					*B7	COVER, Front Seat Back [D5], Right & Left
	1BC661J3AA	1	J, U					*B7	[J3], Right & Left
6	05126322AA	1	J, U					*B7	FRAME, Front Seat Cushion Export Only. See Note, Right
	05126323AA	1	J, U					*B7	, Left
7	1BC711D5AA	2	J, U					*B7	COVER, Front Seat Cushion [D5], Right & Left
	1BC711J3AA	2	J, U					*B7	[J3], Right & Left
8	05142748AA	1	J, U					*B7	FOAM, Seat Cushion Left Side Domestic, See Note For Right Side Domestic
		1	J, U		74			*B7	Left Side Export
	05191262AA	1	J, U					*B7	Right Side Export
-9	05191973AA	2	J, U					*B7	WIRE KIT, Trimming

LIBERTY (KJ)

SERIES LINE  
H = HIGHLINE T = JEEP - 2WD  
M = MEDIUM J = JEEP - 4WD  
P = PREMIUM U = JEEP - 4WD (RHD)

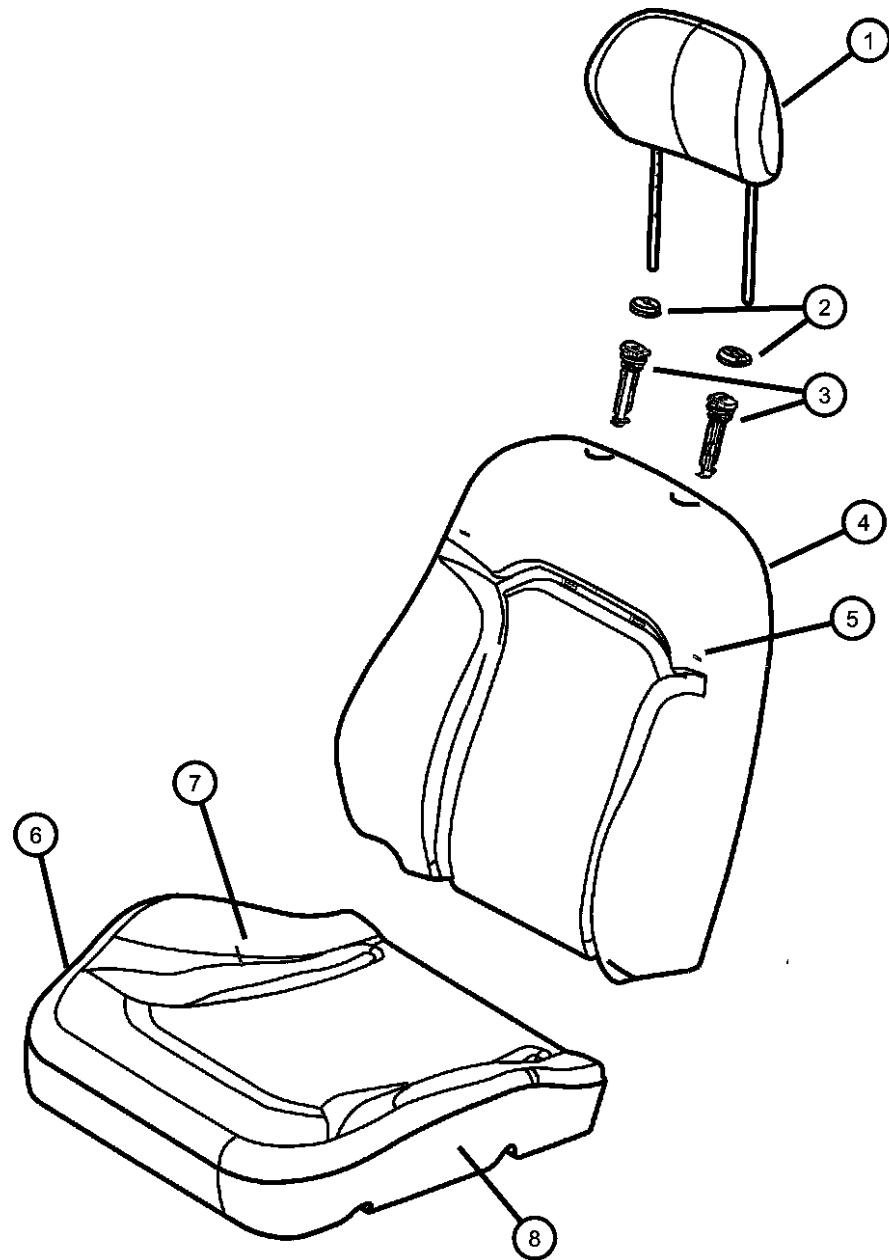
BODY  
74 = SPORT UTILITY 4-DR

ENGINE TRANSMISSION  
EKG = 3.7L V6 Engine DG6 = 4-Spd. Automatic 42RLE  
ENR = 2.8L 4 Cyl Turbo Diesel Transmission  
Engine DGV = 4-Spd. Automatic VLP  
ENJ = 2.5L 4 Cyl 16V Turbo Transmission  
Diesel Engine DGQ = 5-Spd Automatic 5-45RFE  
ED1 = 2.4L 4 Cyl DOHC 16v Transmission  
SMPI Engine DEH = 6-Speed Manual NSG370  
Transmission  
DDD = 5-Speed HD Manual  
Transmission  
DDK = 5-Speed HD Manual  
Transmission

AR = use ase required - = Non illustrated part

2006 KJ

**Front Seat, Cloth, Low Back, Trim Code [J7]  
Figure IKJ-560**



ITEM	PART NUMBER	QTY	LINE	SERIES	BODY	ENGINE	TRANS	TRIM	DESCRIPTION
1	1BD011D5AA	2	J, U					*J7	HEADREST, Front [D5]
	1BD011J3AA	2	J, U					*J7	[J3]
2	0WA491D5AA	1	J, U					*J7	CAP, Headrest Adjuster [D5], With Button
	0WA491J3AA	1	J, U					*J7	[J3], With Button
	0WA501D5AA	1	J, U					*J7	[D5], Without Button
	0WA501J3AA	1	J, U					*J7	[J3], Without Button
3	05066563AA	2	J, U					*J7	SLEEVE, Headrest
4	1BD101D5AA	1	J, U					*J7	BACK, Front Seat [D5], Right
	1BD101J3AA	1	J, U					*J7	[J3], Right
	1BD111D5AA	1	J, U					*J7	[D5], Left
	1BD111J3AA	1	J, U					*J7	[J3], Left
5	1BD081D5AA	1	J, U					*J7	COVER, Front Seat Back [D5], Right
	1BD081J3AA	1	J, U					*J7	[J3], Right
	1BD091D5AA	1	J, U					*J7	[D5], Left
	1BD091J3AA	1	J, U					*J7	[J3], Left
6	05126322AA	1	J, U					*J7	FRAME, Front Seat Cushion Export Only. See Note, Right
	05126323AA	1	J, U					*J7	, Left
7	1BC911D5AA	2	J, U					*J7	COVER, Front Seat Cushion [D5], Right & Left
	1BC911J3AA	2	J, U					*J7	[J3], Right & Left
8	05142748AA	1	J, U					*J7	FOAM, Seat Cushion Left Side Domestic, See Note For Right Side Domestic
		1	J, U					*J7	Left Side Export
	05191262AA	1	J, U					*J7	Right Side Export
-9	05191973AA	2	J, U					*J7	WIRE KIT, Trimming

**LIBERTY (KJ)**

SERIES      LINE  
H = HIGHLINE    T = JEEP - 2WD  
M = MEDIUM     J = JEEP - 4WD  
P = PREMIUM    U = JEEP - 4WD (RHD)

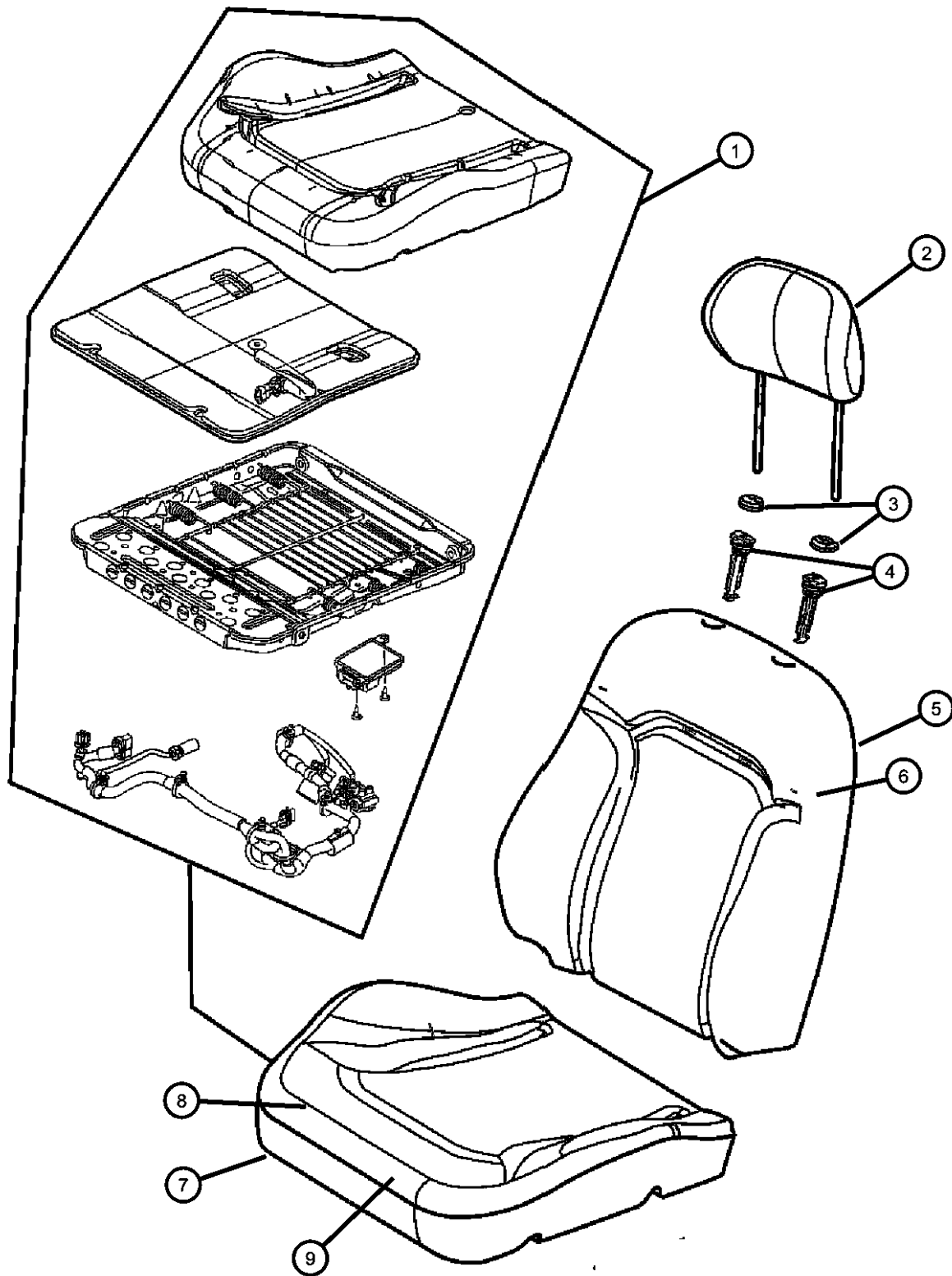
BODY  
74 = SPORT UTILITY 4-DR

ENGINE  
EKG = 3.7L V6 Engine  
ENR = 2.8L 4 Cyl Turbo Diesel Engine  
ENJ = 2.5L 4 Cyl 16V Turbo Diesel Engine  
ED1 = 2.4L 4 Cyl DOHC 16v SMPI Engine

TRANSMISSION  
DG6 = 4-Spd. Automatic 42RLE Transmission  
DGV = 4-Spd. Automatic VLP Transmission  
DGQ = 5-Spd Automatic 5-45RFE Transmission  
DEH = 6-Speed Manual NSG370 Transmission  
DDD = 5-Speed HD Manual Transmission  
DDK = 5-Speed HD Manual Transmission

AR = use ase required    - = Non illustrated part

**Front Seat, Cloth, Low Back, Trim Code [L7]  
Figure IKJ-570**



ITEM	PART NUMBER	QTY	LINE	SERIES	BODY	ENGINE	TRANS	TRIM	DESCRIPTION
------	-------------	-----	------	--------	------	--------	-------	------	-------------

Note: For United States/Canada vehicles only, if right side Cushion Foam is needed order Bladder Repair Kit. Do not attempt to replace the right side

1	05189817AA	1	J, T		74			*L7	BLADDER REPAIR KIT, Occupant Classification System, See Note, Right Side Only
2	1BC841D5AA	2	J, U					*L7	[D5]
			J, T				*L7	[D5]	
			J, T				*L7	[J3]	
			J, U				*L7	[J3]	
3	0WA491D5AA	1	J, T					*L7	CAP, Headrest Adjuster [D5], With Button
			J, T				*L7	[J3], With Button	
			J, T				*L7	[D5], Without Button	
			J, T				*L7	[J3], Without Button	
4	05066563AA	1	J, T					*L7	SLEEVE, Headrest
			J, U				*L7		
5	1BC881D5AA	1	J, T					*L7	BACK, Front Seat [D5], Right
			J, U				*L7	[D5], Right	
			J, T				*L7	[J3], Right	
			J, U				*L7	[J3], Right	
			J, T				*L7	[D5], Left	
			J, U				*L7	[D5], Left	
6	1BC861D5AA	1	J, T					*L7	COVER, Front Seat Back [D5], Right
			J, U				*L7	[D5], Right	
			J, T				*L7	[J3], Right	
6	1BC861J3AA	1	J, T					*L7	[J3], Right
			J, U				*L7	[J3], Right	
			J, U				*L7	[J3], Right	

**LIBERTY (KJ)**

SERIES      LINE  
H = HIGHLINE    T = JEEP - 2WD  
M = MEDIUM     J = JEEP - 4WD  
P = PREMIUM    U = JEEP - 4WD (RHD)

BODY  
74 = SPORT UTILITY 4-DR

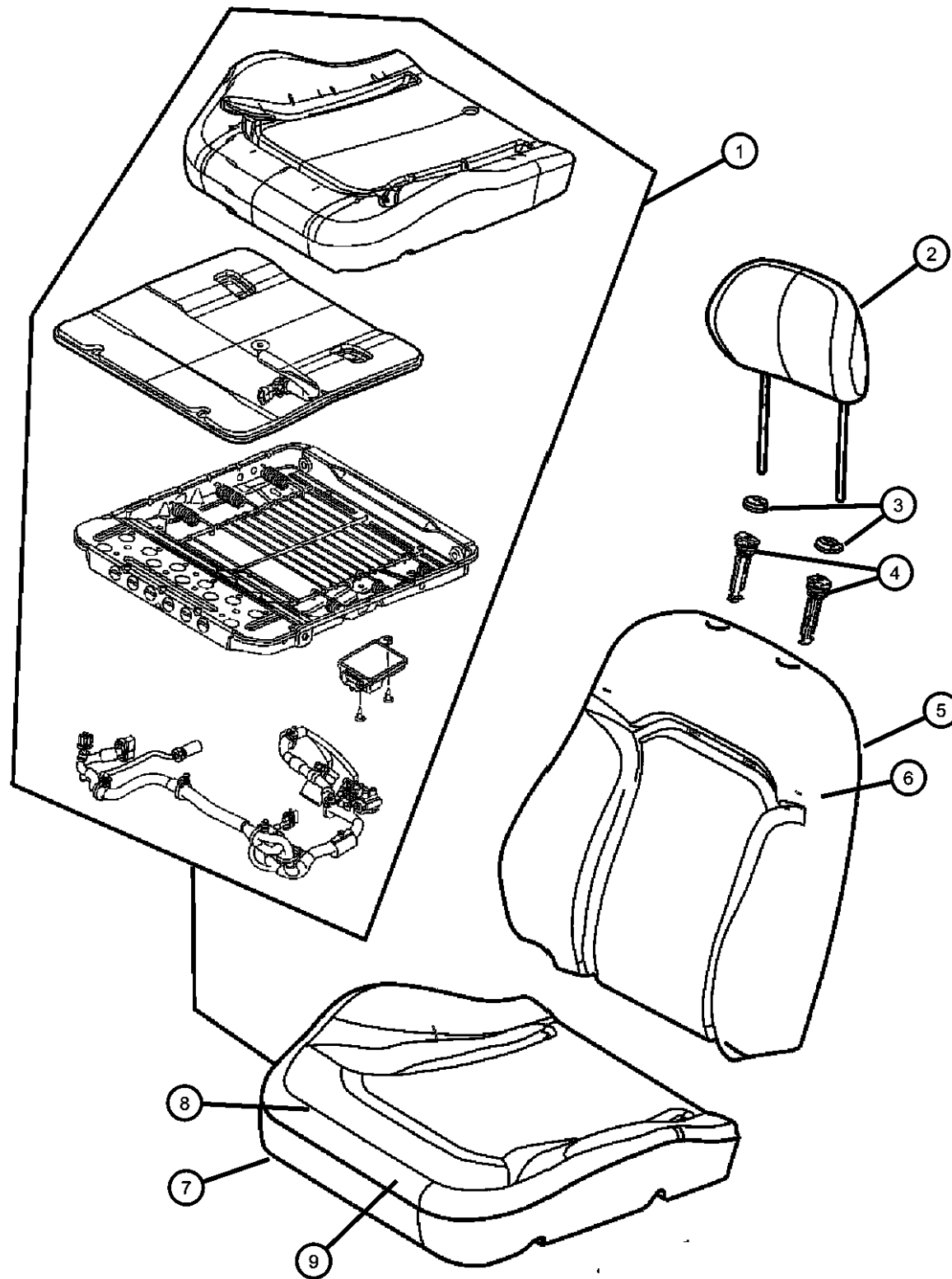
ENGINE      TRANSMISSION  
EKG = 3.7L V6 Engine      DG6 = 4-Spd. Automatic 42RLE  
ENR = 2.8L 4 Cyl Turbo Diesel Engine      DG6 = 4-Spd. Automatic 42RLE  
ENJ = 2.5L 4 Cyl 16V Turbo Diesel Engine      DG6 = 4-Spd. Automatic VLP  
ED1 = 2.4L 4 Cyl DOHC 16v SMPI Engine      DGQ = 5-Spd Automatic 5-45RFE  
DEH = 6-Speed Manual NSG370 Transmission  
DDD = 5-Speed HD Manual Transmission  
DDK = 5-Speed HD Manual Transmission

AR = use ase required - = Non illustrated part

2006 KJ



Front Seat, Cloth, Low Back, Trim Code [L7]  
Figure IKJ-570



ITEM	PART NUMBER	QTY	LINE	SERIES	BODY	ENGINE	TRANS	TRIM	DESCRIPTION
	1BC871D5AA	1	J, T					*L7	[D5], Left
		1	J, U					*L7	[D5], Left
	1BC871J3AA	1	J, T					*L7	[J3], Left
		1	J, U					*L7	[J3], Left
7									FRAME, Front Seat Cushion
	05126322AA	1	J, U					*L7	Export Only. See Note, Right
	05126323AA	1	J, T					*L7	, Left
		1	J, U					*L7	Left
8									COVER, Front Seat Cushion
	1BC901D5AA	2	J, T					*L7	[D5], Right & Left
		2	J, U					*L7	[D5], Right & Left
	1BC901J3AA	2	J, U					*L7	[J3], Right & Left
		2	J, T					*L7	[J3], Right & Left
9									FOAM, Seat Cushion
	05142748AA	1	J, T					*L7	Left Side Domestic, See Note For Right Side Domestic
		1	J, U					*L7	Left Side Export
	05191262AA	1	J, U					*L7	Right Side Export
-10									WIRE KIT, Trimming
	05191973AA	2	J, T					*L7	
		2	U, J					*L7	

LIBERTY (KJ)

SERIES LINE  
H = HIGHLINE T = JEEP - 2WD  
M = MEDIUM J = JEEP - 4WD  
P = PREMIUM U = JEEP - 4WD (RHD)

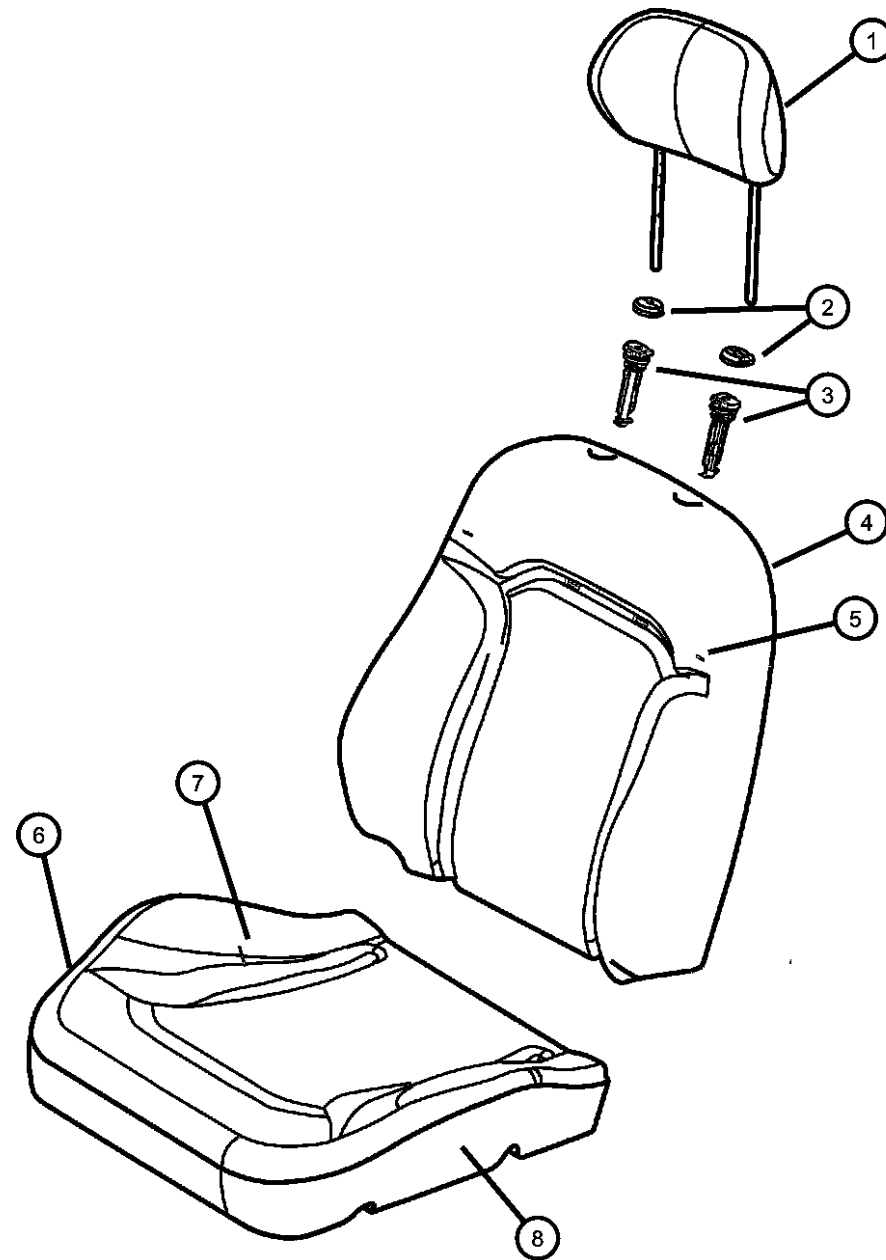
BODY  
74 = SPORT UTILITY 4-DR

ENGINE TRANSMISSION  
EKG = 3.7L V6 Engine DG6 = 4-Spd. Automatic 42RLE  
ENR = 2.8L 4 Cyl Turbo Diesel Transmission  
Engine DGV = 4-Spd. Automatic VLP  
ENJ = 2.5L 4 Cyl 16V Turbo Transmission  
Diesel Engine DGQ = 5-Spd Automatic 5-45RFE  
ED1 = 2.4L 4 Cyl DOHC 16v Transmission  
SMPI Engine DEH = 6-Speed Manual NSG370  
Transmission  
DDD = 5-Speed HD Manual  
Transmission  
DDK = 5-Speed HD Manual  
Transmission

AR = use ase required - = Non illustrated part

2006 KJ

**Front Seat, Cloth, Low Back, Trim Code [Y5]  
Figure IKJ-580**

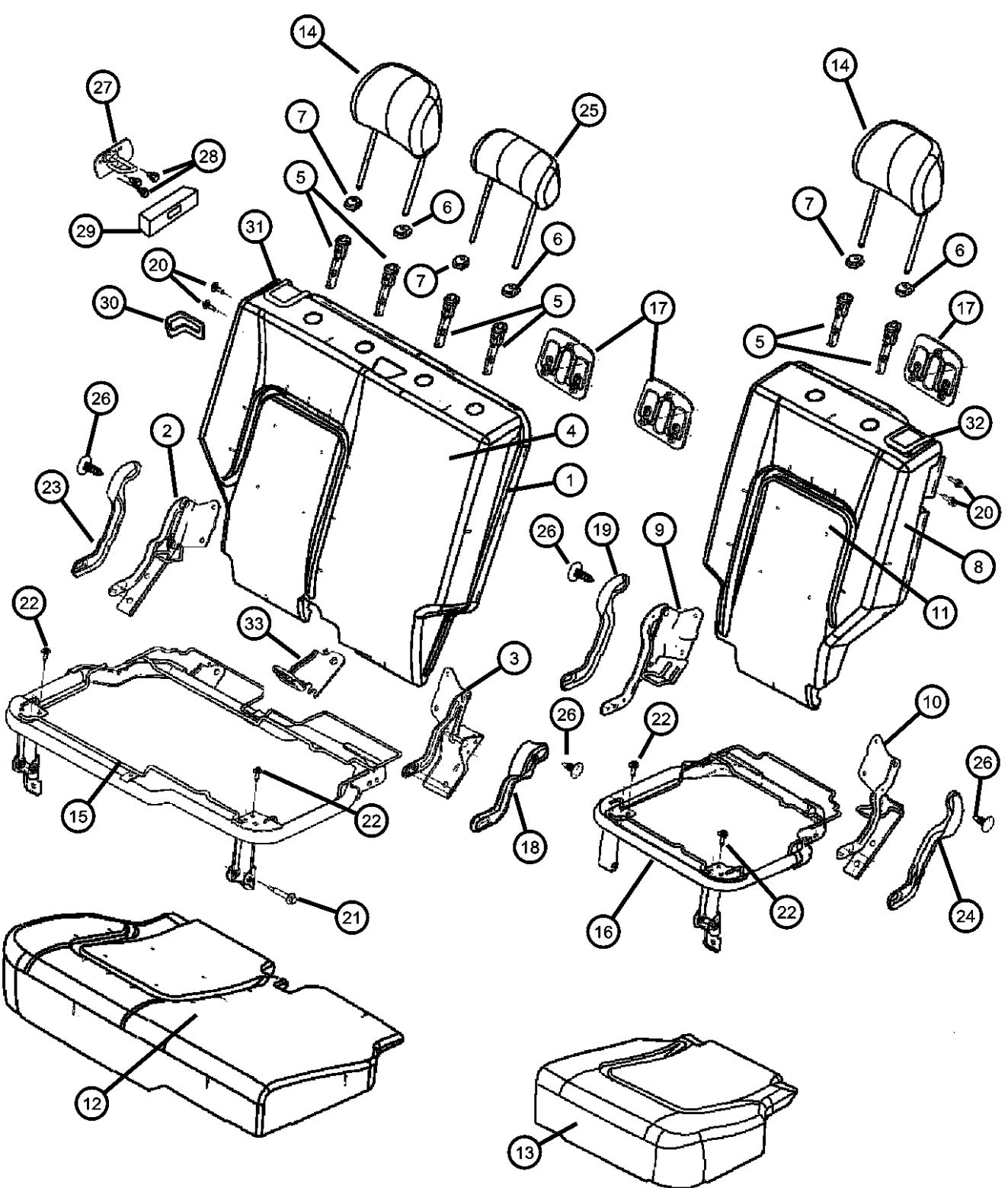


ITEM	PART NUMBER	QTY	LINE	SERIES	BODY	ENGINE	TRANS	TRIM	DESCRIPTION
1	1BC841D5AA	2	J, T, U		74			*Y5	HEADREST, Front [D5]
	1BC841J3AA	2	J, T, U		74			*Y5	[J3]
2	0WA491D5AA	1	J, T, U		74			*Y5	CAP, Headrest Adjuster [D5],With Button
	0WA491J3AA	1	J, T, U		74			*Y5	[J3],With Button
	0WA501D5AA	1	J, T, U		74			*Y5	[D5],Without Button
	0WA501J3AA	1	J, T, U		74			*Y5	[J3],Without Button
3	05066563AA	2	J, T, U		74			*Y5	SLEEVE, Headrest
4	1FC481D5AA	1	J, T, U		74			*Y5	BACK, Front Seat [D5], Right
	1FC481J3AA	1	J, T, U		74			*Y5	[J3], Right
	1FC491D5AA	1	J, T, U		74			*Y5	[D5], Left
	1FC491J3AA	1	J, T, U		74			*Y5	[J3], Left
5	1FC451J3AA	1	J, T, U		74			*Y5	COVER, Front Seat Back [J3], Right & Left
	1FC451D5AA	1	J, T, U		74			*Y5	[D5], Right & Left
6	05126322AA	1	U, J, T		74			*Y5	FRAME, Front Seat Cushion Export Only. See Note, Right
	05126323AA	1	J, T, U		74			*Y5	, Left
7	1BC711D5AA	2	J, T, U		74			*Y5	COVER, Front Seat Cushion [D5]
	1BC711J3AA	2	J, T, U		74			*Y5	[J3]
8	05142748AA	1	J, T		74			*Y5	FOAM, Seat Cushion Left Side Export
		1	J, T, U		74			*Y5	Left Side Domestic, See Note For Right Side Domestic
	05191262AA	1	J, T, U		74			*Y5	Right Side Export
-9	05191973AA	2	J, T, U		74			*Y5	WIRE KIT, Trimming

<b>LIBERTY (KJ)</b>				
SERIES	LINE	BODY	ENGINE	TRANSMISSION
H = HIGHLINE	T = JEEP - 2WD	74 = SPORT UTILITY 4-DR	EKG = 3.7L V6 Engine	DG6 = 4-Spd. Automatic 42RLE
M = MEDIUM	J = JEEP - 4WD		ENR = 2.8L 4 Cyl Turbo Diesel Engine	Transmission
P = PREMIUM	U = JEEP - 4WD (RHD)		ENJ = 2.5L 4 Cyl 16V Turbo Diesel Engine	DGV = 4-Spd. Automatic VLP
			ED1 = 2.4L 4 Cyl DOHC 16v SMPI Engine	Transmission
				DGQ = 5-Spd Automatic 5-45RFE
				Transmission
				DEH = 6-Speed Manual NSG370
				Transmission
				DDD = 5-Speed HD Manual
				Transmission
				DDK = 5-Speed HD Manual
				Transmission

AR = use ase required - = Non illustrated part

Rear Seat, Trim Code [DL]  
Figure IKJ-610

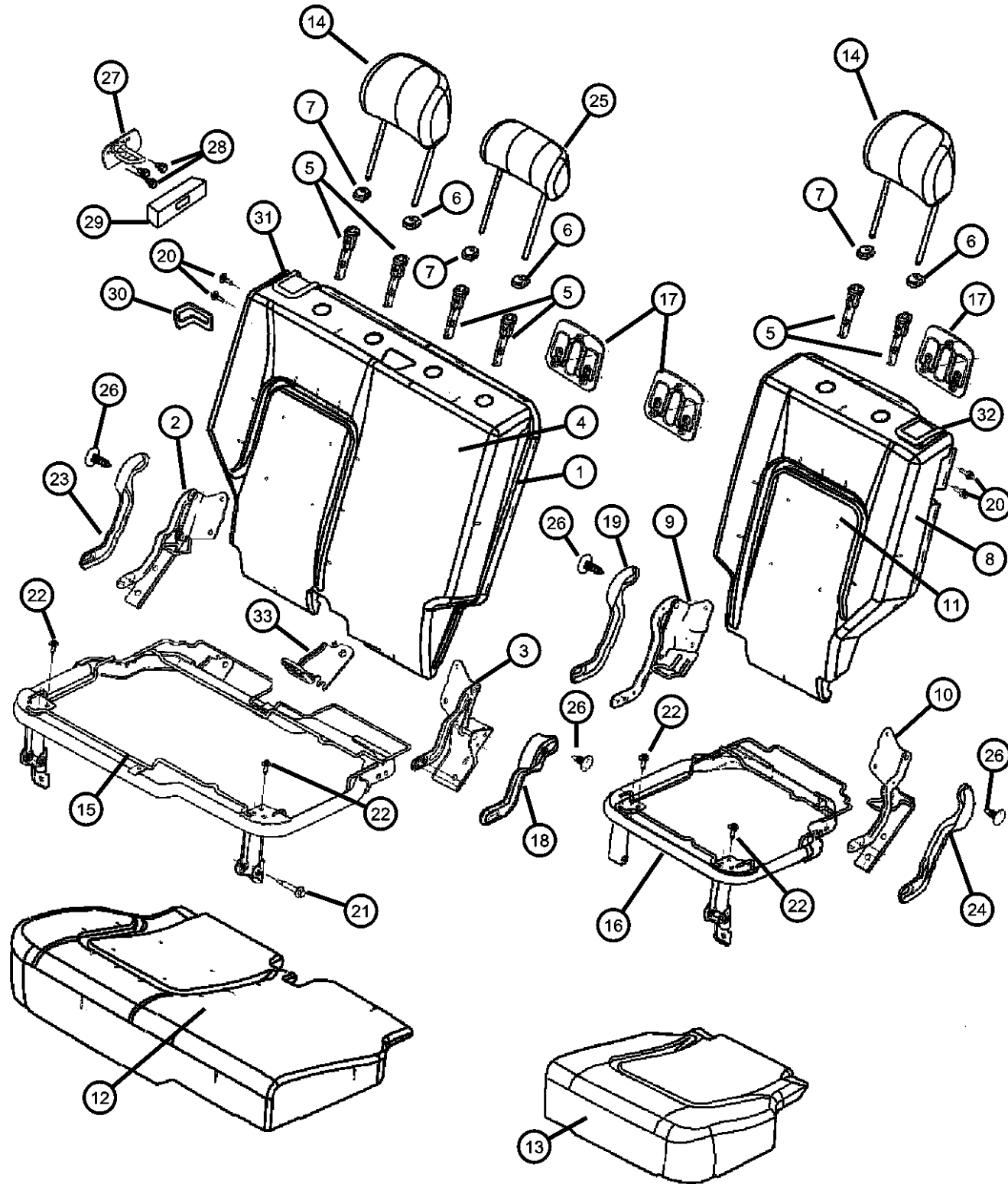


ITEM	PART NUMBER	QTY	LINE	SERIES	BODY	ENGINE	TRANS	TRIM	DESCRIPTION
1	1BB661D1AA	1	J, T					*DL [J1]	SEAT BACK, Rear, 65%
	1BB661DBAA	1	J, T					*DL [DB]	
	1BB681D1AA	1	J, U					*DL [J1]	
	1BB681DBAA	1	J, U					*DL [DB]	
2	05071702AA	1	J, T					*DL	BRACKET AND HINGE, Rear Seat Back, 65%
		1	J, U					*DL	Right Outboard
3	05071703AA	1	J, T					*DL	BRACKET AND HINGE, Rear Seat Back, 65%
		1	J, U					*DL	Right Inboard
4	1BB621D1AA	1	J, T					*DL [J1]	COVER, Rear Seat Back, 65%
	1BB621DBAA	1	J, T					*DL [DB]	
	1BB641D1AA	1	J, U					*DL [J1]	
	1BB641DBAA	1	J, U					*DL [DB]	
5	05066017AA	2	J, T					*DL	SLEEVE, Headrest
		2	J, U					*DL	
6	0WA461D1AA	1	J, T					*DL [J1]	CAP, Headrest Adjuster, With Button
		1	J, U					*DL [J1],Export	
	0WA461DBAA	1	J, T					*DL [DB]	
		1	J, U					*DL [DB],Export	
7	0WA311D1AA	1	J, T					*DL [J1]	CAP, Headrest Adjuster, Without Button
		2	J, U					*DL [J1] Export	
	0WA311DBAA	1	J, T					*DL [DB]	
		1	J, U					*DL [DB] Export	

<b>LIBERTY (KJ)</b>				
SERIES	LINE	BODY	ENGINE	TRANSMISSION
H = HIGHLINE	T = JEEP - 2WD	74 = SPORT UTILITY 4-DR	EKG = 3.7L V6 Engine	DG6 = 4-Spd. Automatic 42RLE
M = MEDIUM	J = JEEP - 4WD		ENR = 2.8L 4 Cyl Turbo Diesel Engine	Transmission
P = PREMIUM	U = JEEP - 4WD (RHD)		ENJ = 2.5L 4 Cyl 16V Turbo Diesel Engine	DGV = 4-Spd. Automatic VLP
			ED1 = 2.4L 4 Cyl DOHC 16v SMPI Engine	Transmission
				DGQ = 5-Spd Automatic 5-45RFE
				Transmission
				DEH = 6-Speed Manual NSG370
				Transmission
				DDD = 5-Speed HD Manual
				Transmission
				DDK = 5-Speed HD Manual
				Transmission

AR = use ase required - = Non illustrated part

Rear Seat, Trim Code [DL]  
Figure IKJ-610



ITEM	PART NUMBER	QTY	LINE	SERIES	BODY	ENGINE	TRANS	TRIM	DESCRIPTION
8	1BB671D1AA	1	J, T					*DL [J1]	SEAT BACK, Rear, 35%
		1	J, U					*DL [J1] Export	
9	1BB671DBAA	1	J, T					*DL [DB]	BRACKET AND HINGE, Rear Seat Back, 35%
		1	J, U					*DL [DB] Export	
10	05071704AA	1	J, T					*DL Left Inboard	
		1	J, U					*DL Left Inboard Export	
11	05071705AA	1	J, T					*DL Left Outboard	BRACKET AND HINGE, Rear Seat Back, 35%
		1	J, U					*DL Left Outboard Export	
12	1BB631D1AA	1	J, T					*DL [J1]	COVER, Rear Seat Back, 35%
		1	J, U					*DL [J1] Export	
13	1BB631DBAA	1	J, T					*DL [DB]	COVER AND PAD, Cushion, 65%
		1	J, U					*DL [DB] Export	
14	1BB601D1AA	1	J, T					*DL [J1]	COVER AND PAD, Cushion, 35%
		1	J, U					*DL [J1] Export	
15	1BB601DBAA	1	J, T					*DL [DB]	COVER AND PAD, Cushion, 35%
		1	J, U					*DL [DB] Export	
16	1BB611D1AA	1	J, T					*DL [J1]	COVER AND PAD, Cushion, 35%
		1	J, U					*DL [J1] Export	
17	1BB611DBAA	1	J, T					*DL [DB]	COVER AND PAD, Cushion, 35%
		1	J, U					*DL [DB] Export	
18	1BB691D1AA	2	J, T					*DL [J1]	HEADREST, Rear
		2	J, U					*DL [J1] Export	

LIBERTY (KJ)

SERIES LINE  
H = HIGHLINE T = JEEP - 2WD  
M = MEDIUM J = JEEP - 4WD  
P = PREMIUM U = JEEP - 4WD (RHD)

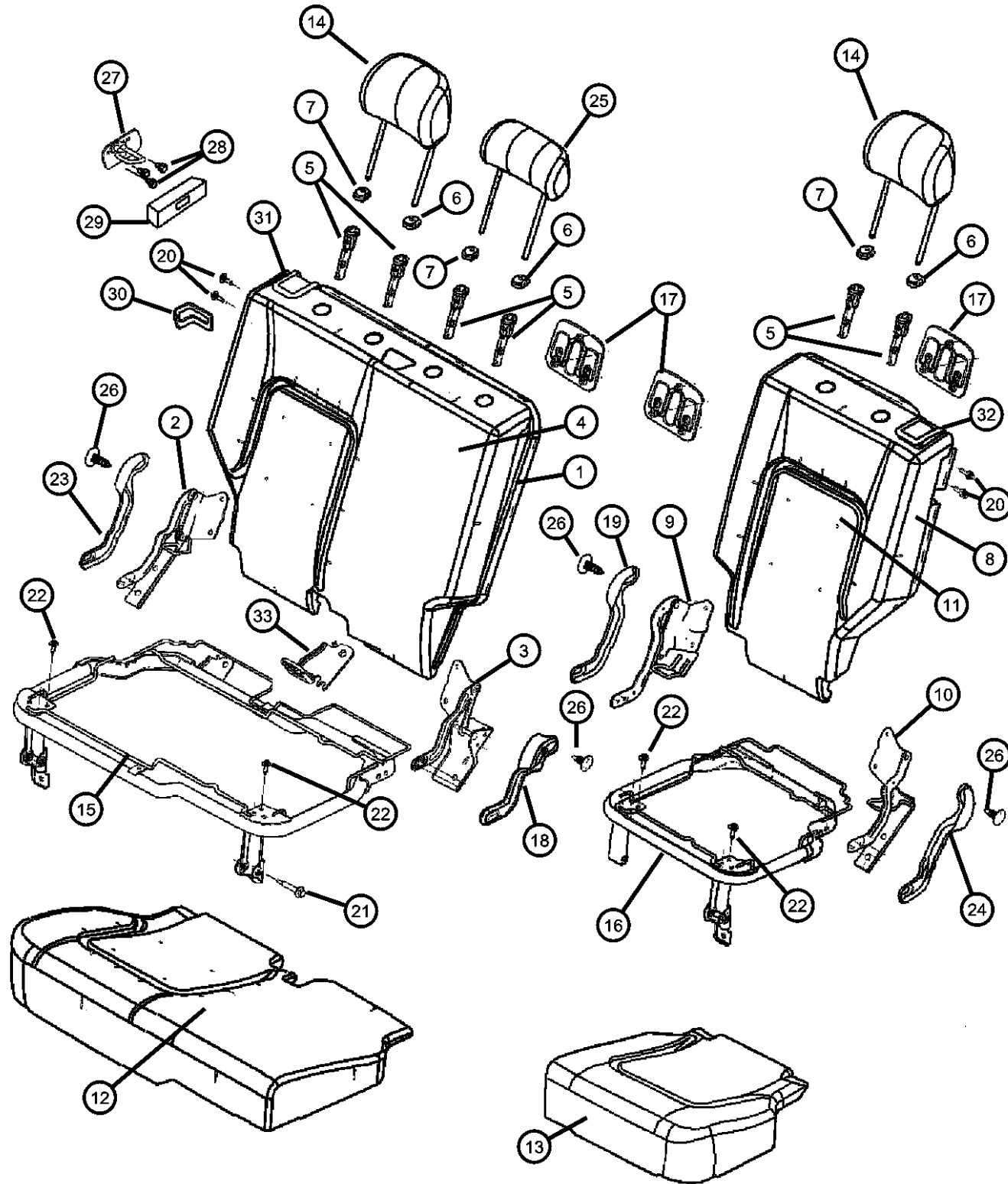
BODY  
74 = SPORT UTILITY 4-DR

ENGINE TRANSMISSION  
EKG = 3.7L V6 Engine DG6 = 4-Spd. Automatic 42RLE  
ENR = 2.8L 4 Cyl Turbo Diesel Transmission  
Engine DGV = 4-Spd. Automatic VLP  
ENJ = 2.5L 4 Cyl 16V Turbo Transmission  
Diesel Engine DGQ = 5-Spd Automatic 5-45RFE  
ED1 = 2.4L 4 Cyl DOHC 16v Transmission  
SMPI Engine DEH = 6-Speed Manual NSG370  
Transmission  
DDD = 5-Speed HD Manual  
Transmission  
DDK = 5-Speed HD Manual  
Transmission

AR = use ase required - = Non illustrated part

2006 KJ

Rear Seat, Trim Code [DL]  
Figure IKJ-610



ITEM	PART NUMBER	QTY	LINE	SERIES	BODY	ENGINE	TRANS	TRIM	DESCRIPTION
	1BB691DBAA	2	J, T					*DL	[DB]
		2	J, U					*DL	[DB] Export
15	05072112AA	1	J, T					*DL	PANEL, Seat Cushion Base, 65%
		1	J, U					*DL	Export
16	05072113AA	1	J, T					*DL	PANEL, Seat Cushion Base, 35%
		1	J, U					*DL	Export
17	0WB44XD-HAA	2	J, T					*DL	BEZEL, TETHER
		1	J, U					*DL	[DB] Export
	0WB44ZJ8AA	2	J, T					*DL	[J1]
		1	J, U					*DL	[J1] Export
18	0UZ451D1AA	1	J, T					*DL	COVER, Hinge
		1	J, U					*DL	[J1] Export
	0UZ451DBAA	1	J, T					*DL	[DB]
		1	J, U					*DL	[DB] Export
19	0UZ461D1AA	1	J, T					*DL	COVER, Hinge
		1	J, U					*DL	[J1] Export
	0UZ461DBAA	1	J, T					*DL	[DB]
		1	J, U					*DL	[DB] Export
20	05072520AA	2	J, T					*DL	BOLT, Pivot
		2	J, U					*DL	Export
21	05072519AA	1	J, T					*DL	BOLT, Seat
		1	J, U					*DL	Export

LIBERTY (KJ)

SERIES LINE  
H = HIGHLINE T = JEEP - 2WD  
M = MEDIUM J = JEEP - 4WD  
P = PREMIUM U = JEEP - 4WD (RHD)

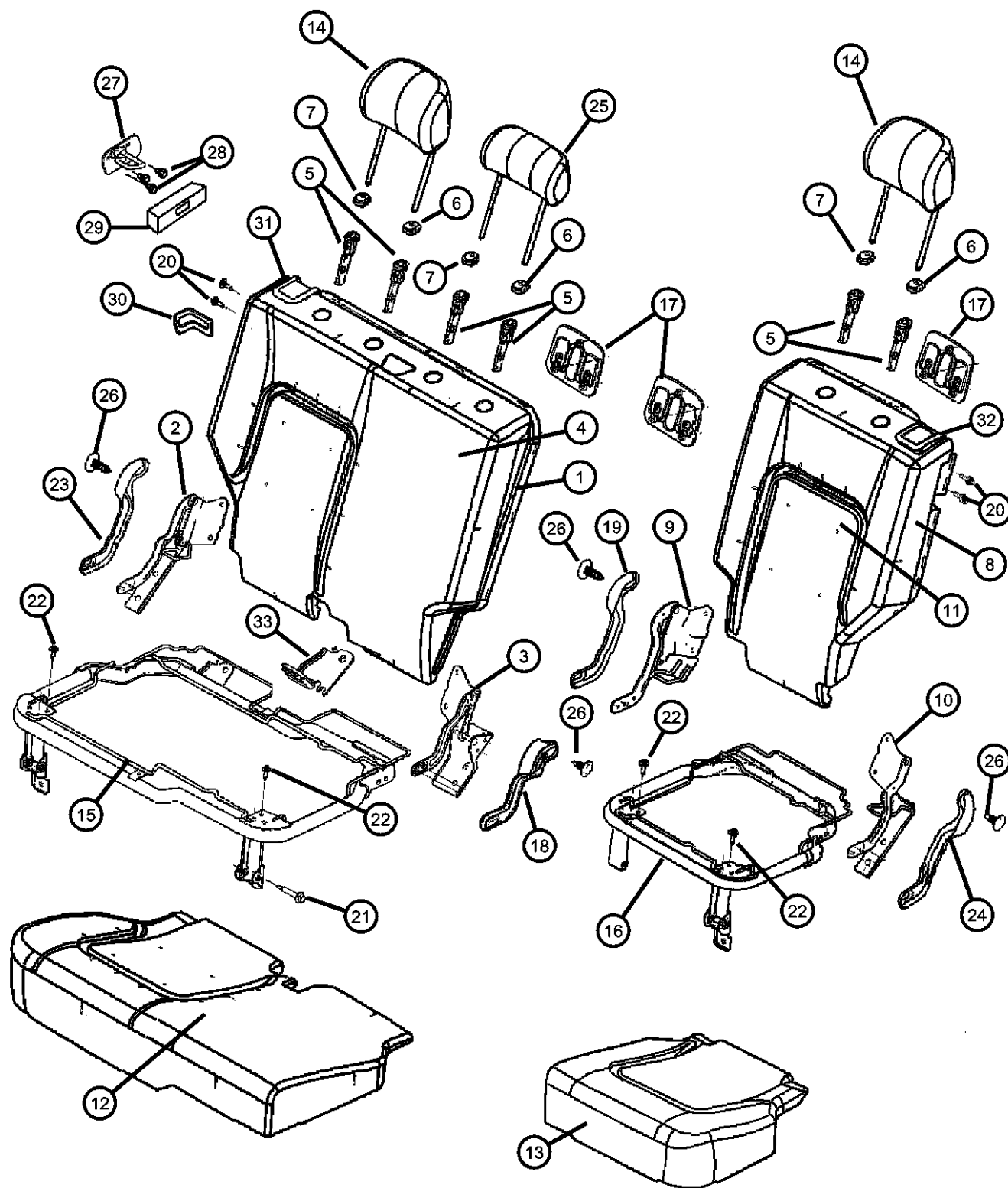
BODY  
74 = SPORT UTILITY 4-DR

ENGINE TRANSMISSION  
EKG = 3.7L V6 Engine DG6 = 4-Spd. Automatic 42RLE  
ENR = 2.8L 4 Cyl Turbo Diesel Transmission  
Engine DGV = 4-Spd. Automatic VLP  
ENJ = 2.5L 4 Cyl 16V Turbo Transmission  
Diesel Engine DGQ = 5-Spd Automatic 5-45RFE  
ED1 = 2.4L 4 Cyl DOHC 16v Transmission  
SMPI Engine DEH = 6-Speed Manual NSG370  
Transmission  
DDD = 5-Speed HD Manual  
Transmission  
DDK = 5-Speed HD Manual  
Transmission

AR = use ase required - = Non illustrated part

2006 KJ

Rear Seat, Trim Code [DL]  
Figure IKJ-610



ITEM	PART NUMBER	QTY	LINE	SERIES	BODY	ENGINE	TRANS	TRIM	DESCRIPTION
22	04761014	8	J, T					*DL	BOLT, Cushion To Adjuster
		8	J, U					*DL	
23	0UZ441D1AA	1	J, T					*DL	COVER, Hinge [J1]
		1	J, U					*DL	[J1] Export
	0UZ441DBAA	1	J, T					*DL	[DB]
		1	J, U					*DL	[DB] Export
24	0UZ471D1AA	1	J, T					*DL	COVER, Hinge [J1]
		1	J, U					*DL	[J1] Export
	0UZ471DBAA	1	J, T					*DL	[DB]
		1	J, U					*DL	[DB] Export
25	1BB701D1AA	1	J, U					*DL	HEADREST, Rear [J1] Export
	1BB701DBAA	1	J, U					*DL	[DB] Export
26	0WA511D1AA	2	J, T					*DL	PIN, Push [J1]
		2	J, U					*DL	[J1] Export
	0WA511DBAA	2	J, T					*DL	[DB]
		2	J, U					*DL	[DB] Export
27	55352816AC	1							STRIKER, Seat Back Latch Right
	55352817AC	1							Left
28	06501648	6							SCREW, Hex Flange Head, M8x1.25x25.00
29	55352839AC	2							BEZEL, Seat Latch
30	0WA92XD-HAA	1	J, T					*DL	BEZEL, Seat Latch [DB]
		1	J, U					*DL	[DB] Export

LIBERTY (KJ)

SERIES LINE  
H = HIGHLINE T = JEEP - 2WD  
M = MEDIUM J = JEEP - 4WD  
P = PREMIUM U = JEEP - 4WD (RHD)

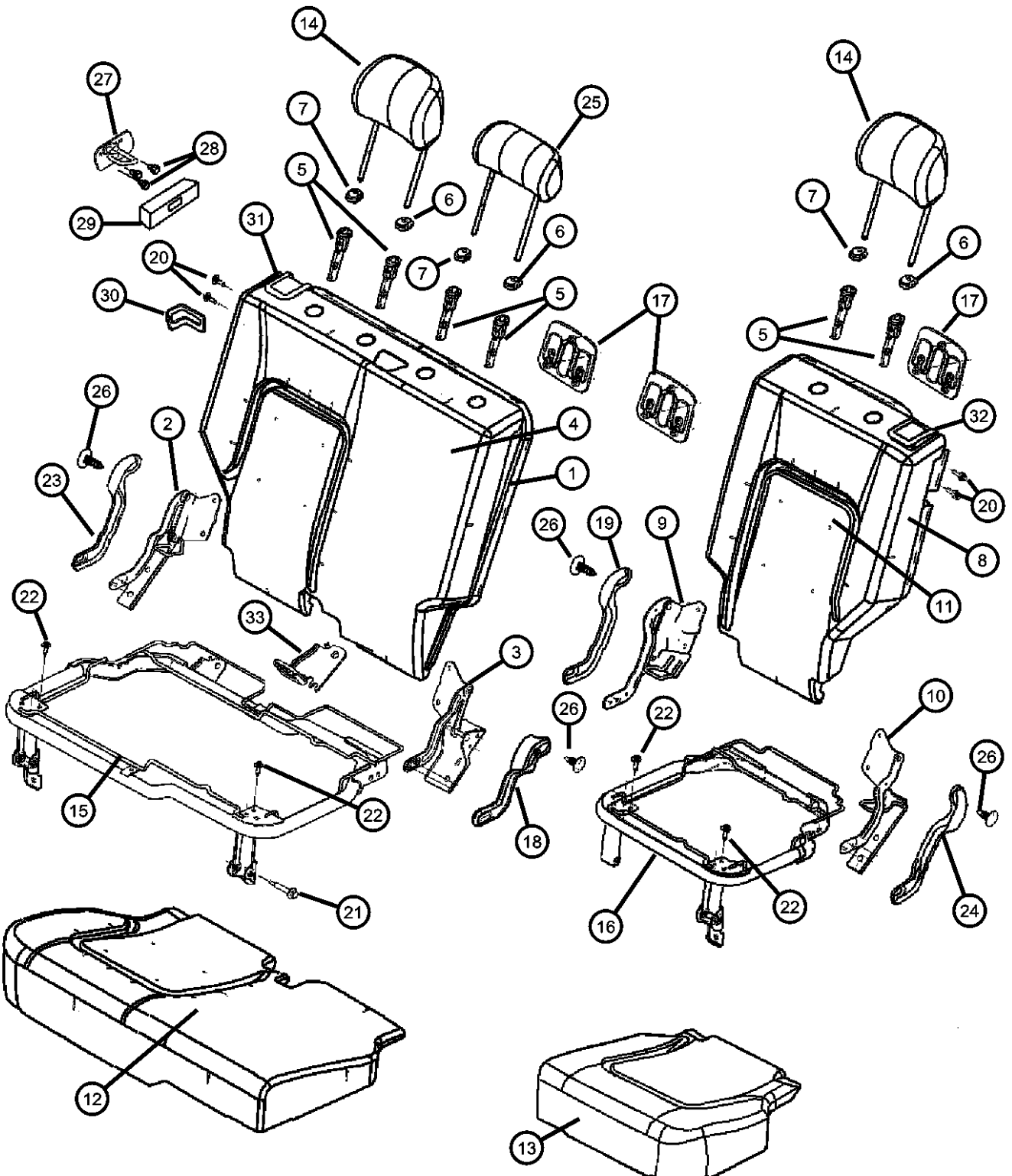
BODY  
74 = SPORT UTILITY 4-DR

ENGINE TRANSMISSION  
EKG = 3.7L V6 Engine DG6 = 4-Spd. Automatic 42RLE  
ENR = 2.8L 4 Cyl Turbo Diesel Transmission  
Engine DGV = 4-Spd. Automatic VLP  
ENJ = 2.5L 4 Cyl 16V Turbo Transmission  
Diesel Engine DGQ = 5-Spd Automatic 5-45RFE  
ED1 = 2.4L 4 Cyl DOHC 16v Transmission  
SMPI Engine DEH = 6-Speed Manual NSG370  
Transmission  
DDD = 5-Speed HD Manual  
Transmission  
DDK = 5-Speed HD Manual  
Transmission

AR = use ase required - = Non illustrated part

2006 KJ

Rear Seat, Trim Code [DL]  
Figure IKJ-610

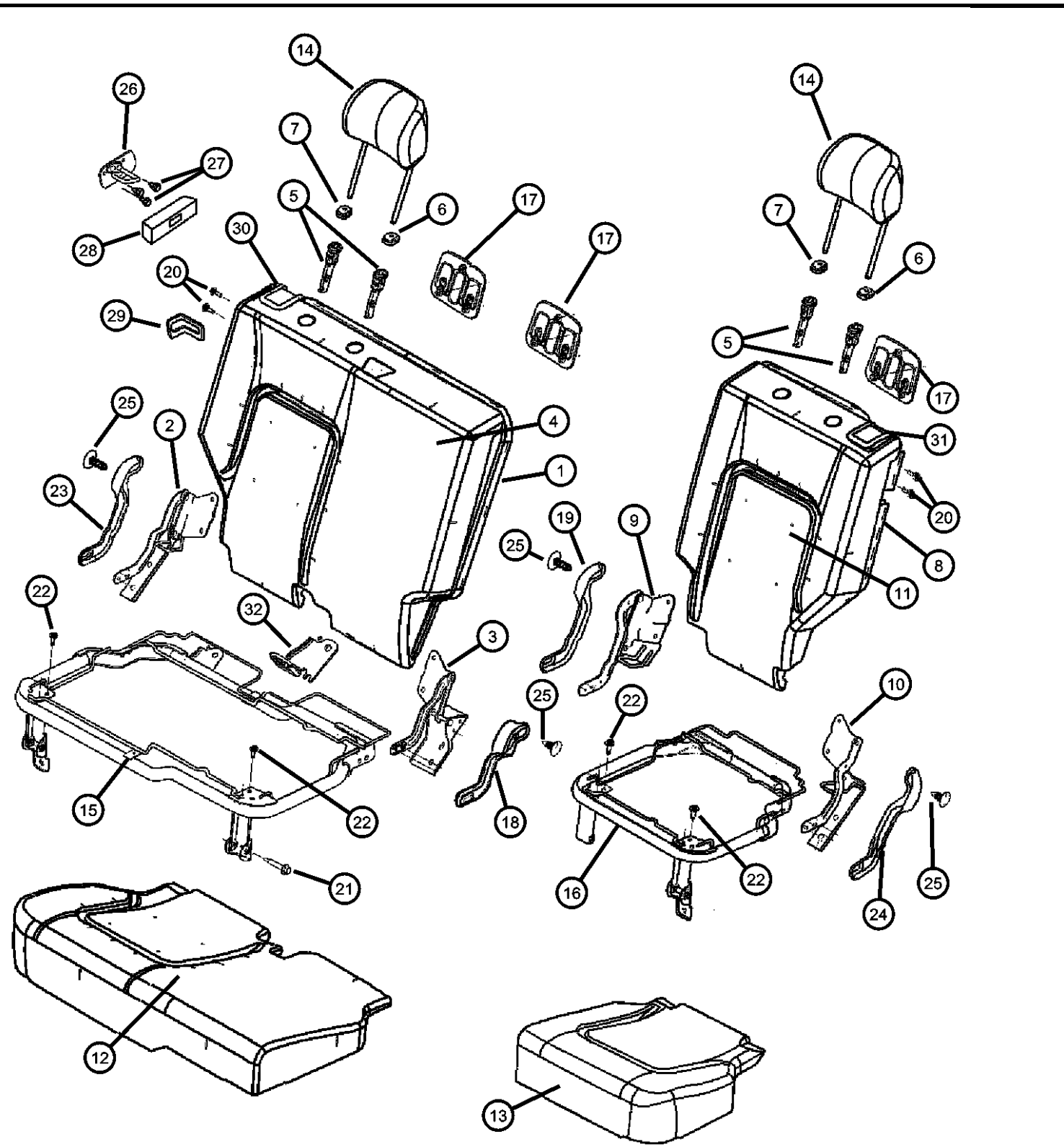


ITEM	PART NUMBER	QTY	LINE	SERIES	BODY	ENGINE	TRANS	TRIM	DESCRIPTION
31	OWA92ZJ8AA	1	J, T					*DL [J1]	
		1	J, U					*DL [J1] Export	
									CONTROL, SEAT RELEASE, With Cable and Latch
	0XF781D1AB	1	J, T					*DL [J1]	
32		1	J, U					*DL [J1] Export	
	0XF781DBAB	1	J, T					*DL [DB]	
		1	J, U					*DL [DB] Export	
									CONTROL, SEAT RELEASE, With Latch
33	0XF791D1AB	1	J, T					*DL [J1]	
		1	J, U					*DL [J1] Export	
	0XF791DBAB	1	J, T					*DL [DB]	
		1	J, U					*DL [DB] Export	
	05134366AA	1	J, T					*DL	BRACKET, Child Tether Anchor
		1	J, U					*DL	Export

LIBERTY (KJ)  
 SERIES H = HIGHLINE M = MEDIUM P = PREMIUM  
 LINE T = JEEP - 2WD J = JEEP - 4WD U = JEEP - 4WD (RHD)  
 BODY 74 = SPORT UTILITY 4-DR  
 ENGINE EKG = 3.7L V6 Engine ENR = 2.8L 4 Cyl Turbo Diesel Engine ENJ = 2.5L 4 Cyl 16V Turbo Diesel Engine ED1 = 2.4L 4 Cyl DOHC 16v SMPI Engine  
 TRANSMISSION DG6 = 4-Spd. Automatic 42RLE Transmission DGV = 4-Spd. Automatic VLP Transmission DGQ = 5-Spd Automatic 5-45RFE Transmission DEH = 6-Speed Manual NSG370 Transmission DDD = 5-Speed HD Manual Transmission DDK = 5-Speed HD Manual Transmission

AR = use ase required - = Non illustrated part

Rear Seat, Trim Code [N5]  
Figure IKJ-620



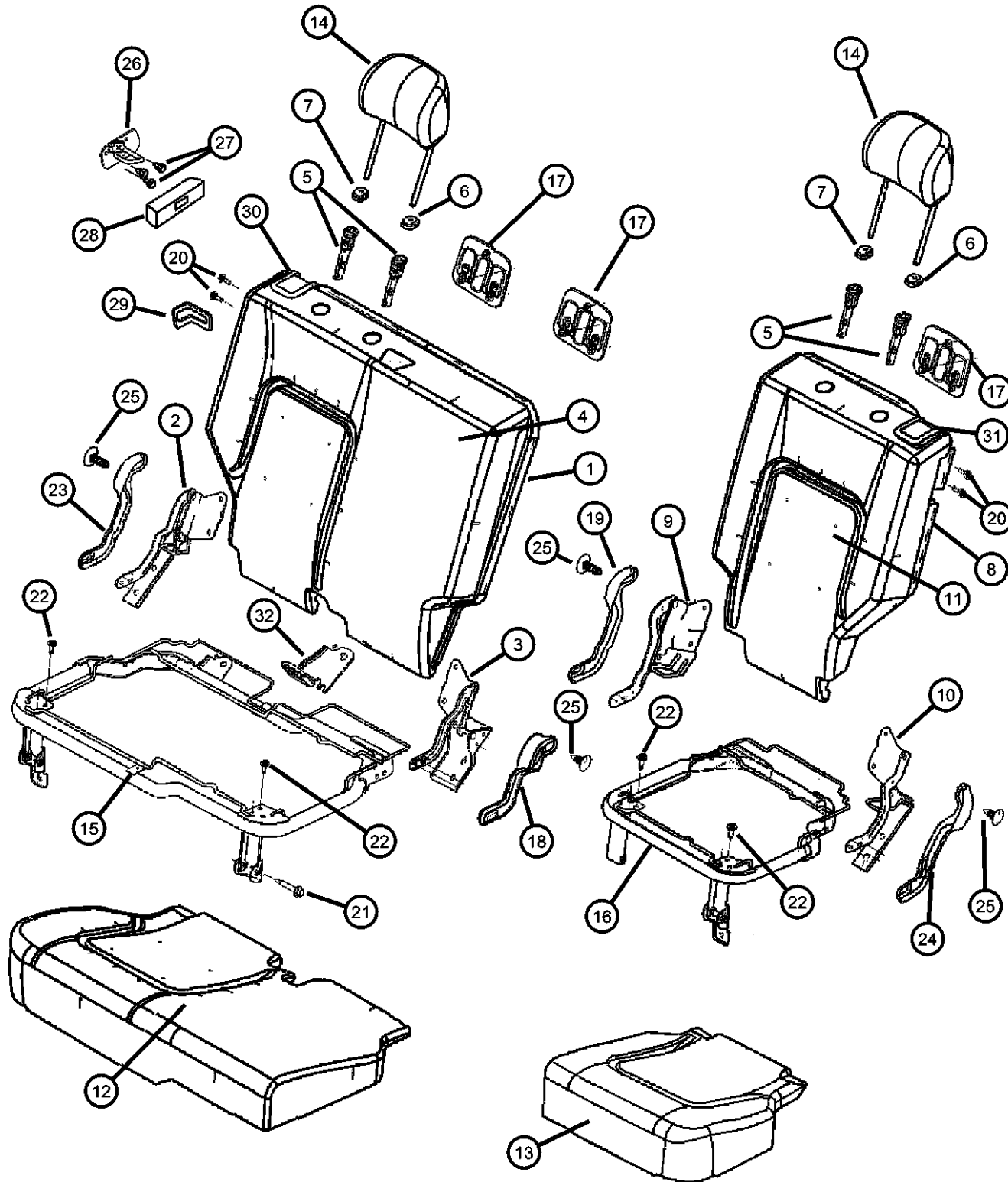
ITEM	PART NUMBER	QTY	LINE	SERIES	BODY	ENGINE	TRANS	TRIM	DESCRIPTION
1	1BC741D5AA	1	J, T					*N5 [D5]	SEAT BACK, Rear, 65%
	1BC741J3AA	1	J, T					*N5 [J3]	
2	05071702AA	1	J, T					*N5	BRACKET AND HINGE, Rear Seat Back, 65%, Right Outboard
3	05071703AA	1	J, T					*N5	BRACKET AND HINGE, Rear Seat Back, 65%, Right Inboard
4	1BC781D5AA	1	J, T					*N5 [D5]	COVER, Rear Seat Back, 65%
	1BC781J3AA	1	J, T					*N5 [J3]	
5	05066017AA	2	J, T					*N5	SLEEVE, Headrest
6	0WA461D5AA	1	J, T					*N5 [D5]	CAP, Headrest Adjuster, With Button
	0WA461J3AA	1	J, T					*N5 [J3]	
7	0WA311D5AA	1	J, T					*N5 [D5]	CAP, Headrest Adjuster, Without Button
	0WA311J3AA	1	J, T					*N5 [J3]	
8	1BC751D5AA	1	J, T					*N5 [D5]	SEAT BACK, Rear, 35%
	1BC751J3AA	1	J, T					*N5 [J3]	
9	05071704AA	1	J, T					*N5	BRACKET AND HINGE, Rear Seat Back, 35%, Left Inboard
10	05071705AA	1	J, T					*N5	BRACKET AND HINGE, Rear Seat Back, 35%, Left Outboard
11	1BC791D5AA	1	J, T					*N5 [D5]	COVER, Rear Seat Back, 35%
	1BC791J3AA	1	J, T					*N5 [J3]	
12	1BC821D5AA	1	J, T					*N5 [D5]	COVER AND PAD, Cushion, 65%
	1BC821J3AA	1	J, T					*N5 [J3]	
13	1BC831D5AA	1	J, T					*N5 [D5]	COVER AND PAD, Cushion, 35%

LIBERTY (KJ)  
 SERIES H = HIGHLINE M = MEDIUM P = PREMIUM  
 LINE T = JEEP - 2WD J = JEEP - 4WD U = JEEP - 4WD (RHD)  
 BODY 74 = SPORT UTILITY 4-DR  
 ENGINE EKG = 3.7L V6 Engine ENR = 2.8L 4 Cyl Turbo Diesel Engine ENJ = 2.5L 4 Cyl 16V Turbo Diesel Engine ED1 = 2.4L 4 Cyl DOHC 16v SMPI Engine  
 TRANSMISSION DG6 = 4-Spd. Automatic 42RLE Transmission DGV = 4-Spd. Automatic VLP Transmission DGQ = 5-Spd Automatic 5-45RFE Transmission DEH = 6-Speed Manual NSG370 Transmission DDD = 5-Speed HD Manual Transmission DDK = 5-Speed HD Manual Transmission

AR = use ase required - = Non illustrated part



Rear Seat, Trim Code [N5]  
Figure IKJ-620



ITEM	PART NUMBER	QTY	LINE	SERIES	BODY	ENGINE	TRANS	TRIM	DESCRIPTION
14	1BC831J3AA	1	J, T					*N5 [J3]	HEADREST, Rear
	1BC681D5AA	2	J, T					*N5 [D5]	
	1BC681J3AA	2	J, T					*N5 [J3]	
15	05072112AA	1	J, T					*N5	PANEL, Seat Cushion Base, 65%
16	05072113AA	1	J, T					*N5	PANEL, Seat Cushion Base, 35%
17									BEZEL, TETHER
	0WB44XD-HAA	2	J, T					*N5 [D5]	
	0WB44ZJ8AA	2	J, T					*N5 [J3]	
18									COVER, Hinge, Right Inboard
	0UZ451D5AA	1	J, T					*N5 [D5]	
	0UZ451J3AA	1	J, T					*N5 [J3]	
19									COVER, Hinge, Left Inboard
	0UZ461D5AA	1	J, T					*N5 [D5]	
	0UZ461J3AA	1	J, T					*N5 [J3]	
20	05072520AA	2	J, T					*N5	BOLT, Pivot
21	05072519AA	1	J, T					*N5	BOLT, Seat
22	04761014	8	J, T					*N5	BOLT, Cushion To Adjuster
23									COVER, Hinge, Right Outboard
	0UZ441D5AA	1	J, T					*N5 [D5]	
	0UZ441J3AA	1	J, T					*N5 [J3]	
24									COVER, Hinge, Left Outboard
	0UZ471D5AA	1	J, T					*N5 [D5]	
	0UZ471J3AA	1	J, T					*N5 [J3]	
25									PIN, Push
	0WA511D5AA	2	J, T					*N5 [D5]	
	0WA511J3AA	2	J, T					*N5 [J3]	
26									STRIKER, Seat Back Latch Right
	55352816AC	1							

LIBERTY (KJ)

SERIES LINE  
H = HIGHLINE T = JEEP - 2WD  
M = MEDIUM J = JEEP - 4WD  
P = PREMIUM U = JEEP - 4WD (RHD)

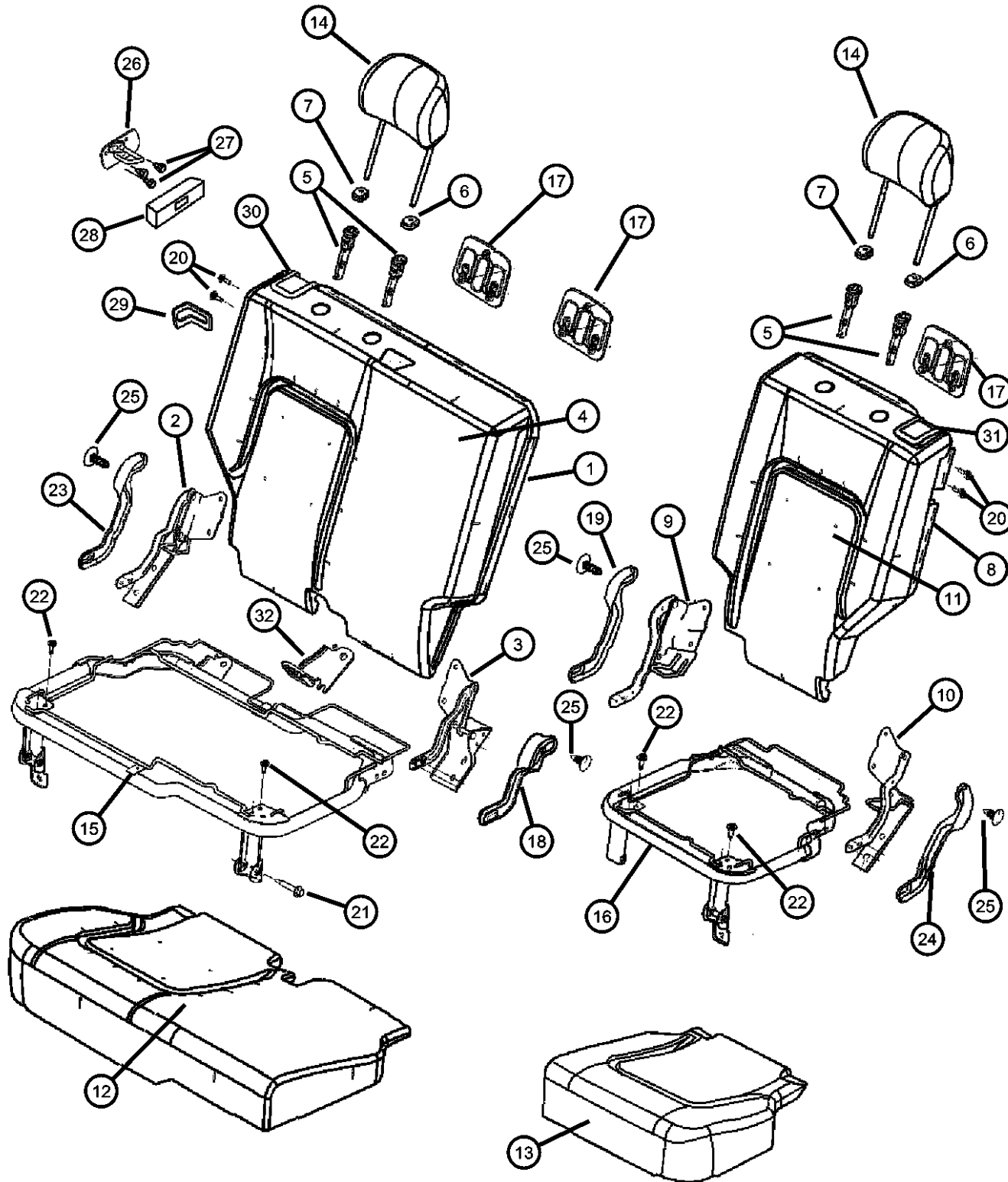
BODY  
74 = SPORT UTILITY 4-DR

ENGINE TRANSMISSION  
EKG = 3.7L V6 Engine DG6 = 4-Spd. Automatic 42RLE  
ENR = 2.8L 4 Cyl Turbo Diesel Transmission  
Engine DGV = 4-Spd. Automatic VLP  
ENJ = 2.5L 4 Cyl 16V Turbo Transmission  
Diesel Engine DGQ = 5-Spd Automatic 5-45RFE  
ED1 = 2.4L 4 Cyl DOHC 16v Transmission  
SMPI Engine DEH = 6-Speed Manual NSG370  
Transmission  
DDD = 5-Speed HD Manual  
Transmission  
DDK = 5-Speed HD Manual  
Transmission

AR = use ase required - = Non illustrated part

2006 KJ

Rear Seat, Trim Code [N5]  
Figure IKJ-620



ITEM	PART NUMBER	QTY	LINE	SERIES	BODY	ENGINE	TRANS	TRIM	DESCRIPTION
	55352817AC	1							Left
27	06501648	6							SCREW, Hex Flange Head, M8x1.25x25.00
28	55352839AC	2							BEZEL, Seat Latch
29									BEZEL, Seat Latch
	0WA92XD-HAA	1	J, T					*N5	[D5]
	0WA92ZJ8AA	1	J, T					*N5	[J3]
30									CONTROL, SEAT RELEASE, With Cable and Latch
	0XF781D5AB	1	J, T					*N5	[D5]
	0XF791J3AB	1	J, T					*N5	[J3]
31									CONTROL, SEAT RELEASE, With Latch
	0XF791D5AB	1	J, T					*N5	[D5]
	0XF791J3AB	1	J, T					*N5	[J3]
32	05134366AA	1	J, T					*N5	BRACKET, Child Tether Anchor

LIBERTY (KJ)

SERIES      LINE  
H = HIGHLINE    T = JEEP - 2WD  
M = MEDIUM     J = JEEP - 4WD  
P = PREMIUM    U = JEEP - 4WD (RHD)

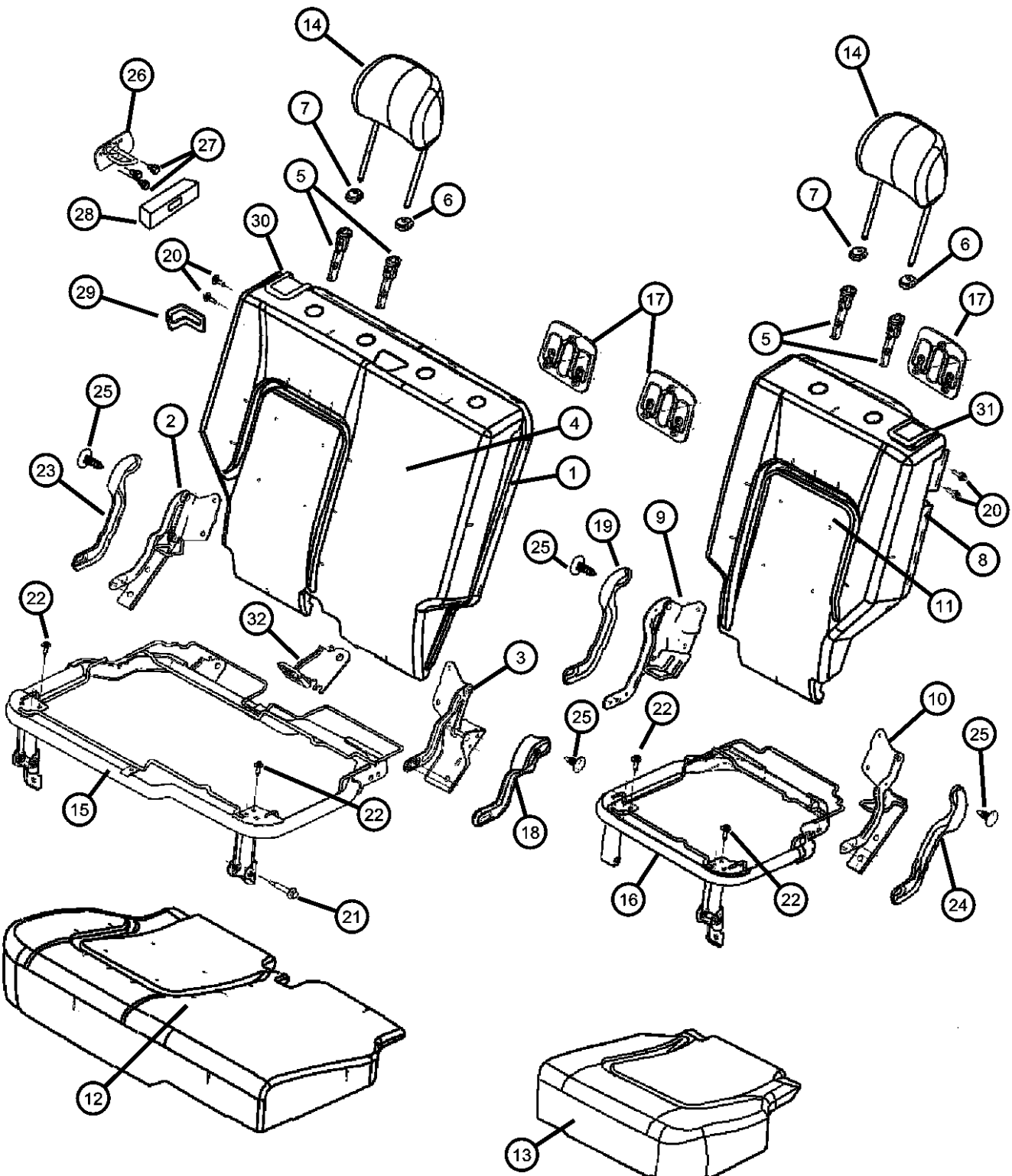
BODY  
74 = SPORT UTILITY 4-DR

ENGINE      TRANSMISSION  
EKG = 3.7L V6 Engine      DG6 = 4-Spd. Automatic 42RLE  
ENR = 2.8L 4 Cyl Turbo Diesel Engine      DGV = 4-Spd. Automatic VLP  
ENJ = 2.5L 4 Cyl 16V Turbo Diesel Engine      DGQ = 5-Spd Automatic 5-45RFE  
ED1 = 2.4L 4 Cyl DOHC 16v SMPI Engine      DEH = 6-Speed Manual NSG370  
Transmission  
DDD = 5-Speed HD Manual Transmission  
DDK = 5-Speed HD Manual Transmission

AR = use ase required - = Non illustrated part

2006 KJ

Rear Seat, Trim Code [B5]  
Figure IKJ-630



ITEM	PART NUMBER	QTY	LINE	SERIES	BODY	ENGINE	TRANS	TRIM	DESCRIPTION
1	1BD161D5AA	1	J, T					*B5 [D5]	SEAT BACK, Rear, 65%
	1BD161J3AA	1	J, T					*B5 [J3]	
2	05071702AA	1	J, T					*B5	BRACKET AND HINGE, Rear Seat Back, 65%, Right Outboard
3	05071703AA	1	J, T					*B5	BRACKET AND HINGE, Rear Seat Back, 65%, Right Inboard
4	1BD141D5AA	1	J, T					*B5 [D5]	COVER, Rear Seat Back, 65%
	1BD141J3AA	1	J, T					*B5 [J3]	
5	05066017AA	2	J, T					*B5	SLEEVE, Headrest
6	0WA461D5AA	1	J, T					*B5 [D5]	CAP, Headrest Adjuster, With Button
	0WA461J3AA	1	J, T					*B5 [J3]	
7	0WA311D5AA	1	J, T					*B5 [D5]	CAP, Headrest Adjuster, Without Button
	0WA311J3AA	1	J, T					*B5 [J3]	
8	1BD171D5AA	1	J, T					*B5 [D5]	SEAT BACK, Rear, 35%
	1BD171J3AA	1	J, T					*B5 [J3]	
9	05071704AA	1	J, T					*B5	BRACKET AND HINGE, Rear Seat Back, 35%
10	05071705AA	1	J, T					*B5	BRACKET AND HINGE, Rear Seat Back, 35%, Left Outboard
11	1BD151D5AA	1	J, T					*B5 [D5]	COVER, Rear Seat Back, 35%
	1BD151J3AA	1	J, T					*B5 [J3]	
12	1BD121D5AA	1	J, T					*B5 [D5]	COVER AND PAD, Cushion, 65%
	1BD121J3AA	1	T, J					*B5 [J3]	
13	1BD131D5AA	1	J, T					*B5 [D5]	COVER AND PAD, Cushion, 35%

LIBERTY (KJ)

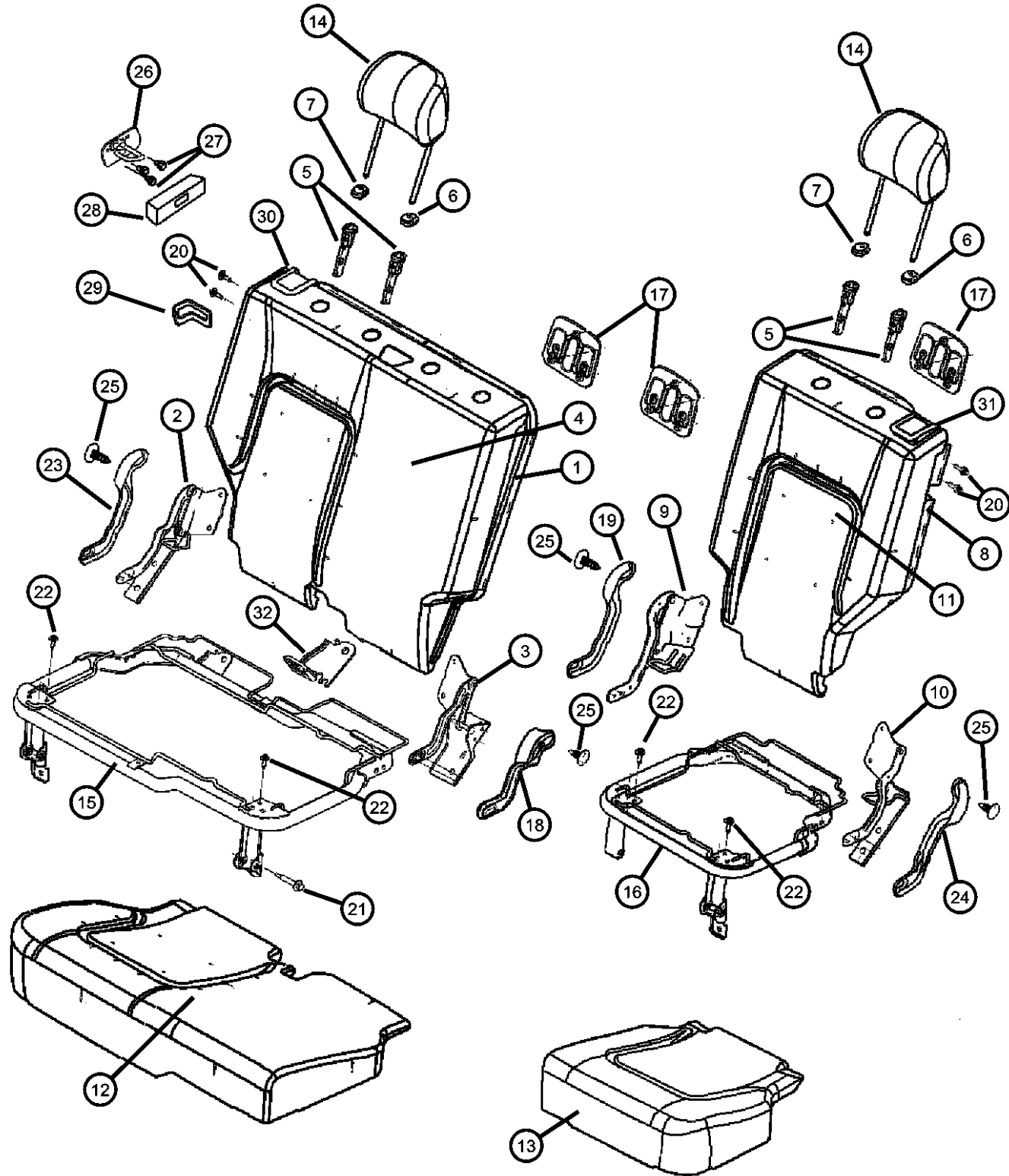
SERIES LINE  
H = HIGHLINE T = JEEP - 2WD  
M = MEDIUM J = JEEP - 4WD  
P = PREMIUM U = JEEP - 4WD (RHD)

BODY  
74 = SPORT UTILITY 4-DR

ENGINE TRANSMISSION  
EKG = 3.7L V6 Engine DG6 = 4-Spd. Automatic 42RLE  
ENR = 2.8L 4 Cyl Turbo Diesel Transmission  
Engine DGV = 4-Spd. Automatic VLP  
ENJ = 2.5L 4 Cyl 16V Turbo Transmission  
Diesel Engine DGQ = 5-Spd Automatic 5-45RFE  
ED1 = 2.4L 4 Cyl DOHC 16v Transmission  
SMPI Engine DEH = 6-Speed Manual NSG370  
Transmission  
DDD = 5-Speed HD Manual  
Transmission  
DDK = 5-Speed HD Manual  
Transmission

AR = use ase required - = Non illustrated part

Rear Seat, Trim Code [B5]  
Figure IKJ-630



ITEM	PART NUMBER	QTY	LINE	SERIES	BODY	ENGINE	TRANS	TRIM	DESCRIPTION
14	1BD131J3AA	1	J, T					*B5 [J3]	HEADREST, Rear
	1BC971D5AA	2	J, T					*B5 [D5]	
	1BC971J3AA	2	J, T					*B5 [J3]	
15	05072112AA	1	J, T					*B5	PANEL, Seat Cushion Base, 65%
16	05072113AA	1	J, T					*B5	PANEL, Seat Cushion Base, 35%
17									BEZEL, TETHER
	0WB44XD-HAA	2	J, T					*B5 [D5]	
	0WB44ZJ8AA	2	J, T					*B5 [J3]	
18									COVER, Hinge, Right Inboard
	0UZ451D5AA	1	J, T					*B5 [D5]	Right Inboard
	0UZ451J3AA	1	J, T					*B5 [J3]	Right Inboard
19									COVER, Hinge, Left Inboard
	0UZ461D5AA	1	J, T					*B5 [D5]	Left Inboard
	0UZ461J3AA	1	J, T					*B5 [J3]	Left Inboard
20	05072520AA	2	J, T					*B5	BOLT, Pivot
21	05072519AA	1	J, T					*B5	BOLT, Seat
22	04761014	8	J, T					*B5	BOLT, Cushion To Adjuster
23									COVER, Hinge, Right Outboard
	0UZ441D5AA	1	J, T					*B5 [D5]	Right Outboard
	0UZ441J3AA	1	J, T					*B5 [J3]	Right Outboard
24									COVER, Hinge, Left Outboard
	0UZ471D5AA	1	J, T					*B5 [D5]	Left Outboard
	0UZ471J3AA	1	J, T					*B5 [J3]	Left Outboard
25									PIN, Push
	0WA511D5AA	2	J, T					*B5 [D5]	
	0WA511J3AA	2	J, T					*B5 [J3]	
26									STRIKER, Seat Back Latch Right
	55352816AC	1							

LIBERTY (KJ)

SERIES LINE  
H = HIGHLINE T = JEEP - 2WD  
M = MEDIUM J = JEEP - 4WD  
P = PREMIUM U = JEEP - 4WD (RHD)

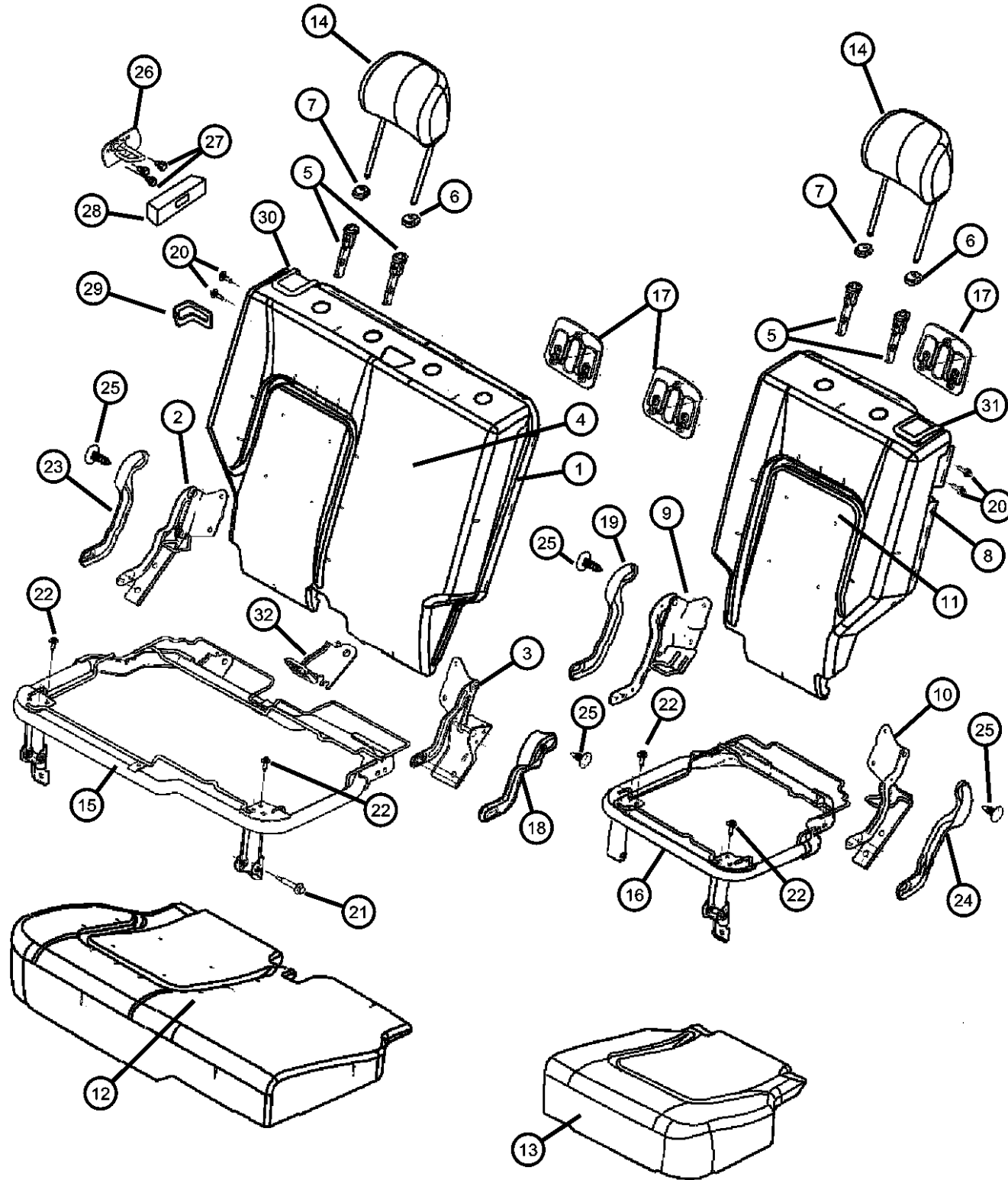
BODY  
74 = SPORT UTILITY 4-DR

ENGINE TRANSMISSION  
EKG = 3.7L V6 Engine DG6 = 4-Spd. Automatic 42RLE  
ENR = 2.8L 4 Cyl Turbo Diesel Transmission  
Engine DGV = 4-Spd. Automatic VLP  
ENJ = 2.5L 4 Cyl 16V Turbo Transmission  
Diesel Engine DGQ = 5-Spd Automatic 5-45RFE  
ED1 = 2.4L 4 Cyl DOHC 16v Transmission  
SMPI Engine DEH = 6-Speed Manual NSG370  
Transmission  
DDD = 5-Speed HD Manual  
Transmission  
DDK = 5-Speed HD Manual  
Transmission

AR = use ase required - = Non illustrated part

2006 KJ

Rear Seat, Trim Code [B5]  
Figure IKJ-630



ITEM	PART NUMBER	QTY	LINE	SERIES	BODY	ENGINE	TRANS	TRIM	DESCRIPTION
	55352817AC	1							Left
27	06501648	6							SCREW, Hex Flange Head, M8x1.25x25.00
28	55352839AC	2							BEZEL, Seat Latch
29									BEZEL, Seat Latch
	0WA92XD-HAA	1	J, T					*B5	[D5]
	0WA92ZJ8AA	1	J, T					*B5	[J3]
30									CONTROL, SEAT RELEASE, With Cable and Latch
	0XF781D5AB	1	J, T					*B5	[D5]
	0XF781J3AB	1	J, T					*B5	[J3]
31									CONTROL, SEAT RELEASE, With Latch
	0XF791D5AB	1	J, T					*B5	[D5]
	0XF791J3AB	1	J, T					*B5	[J3]
32	05134366AA	1	J, T					*N5	BRACKET, Child Tether Anchor

LIBERTY (KJ)

SERIES      LINE  
H = HIGHLINE    T = JEEP - 2WD  
M = MEDIUM     J = JEEP - 4WD  
P = PREMIUM    U = JEEP - 4WD (RHD)

BODY  
74 = SPORT UTILITY 4-DR

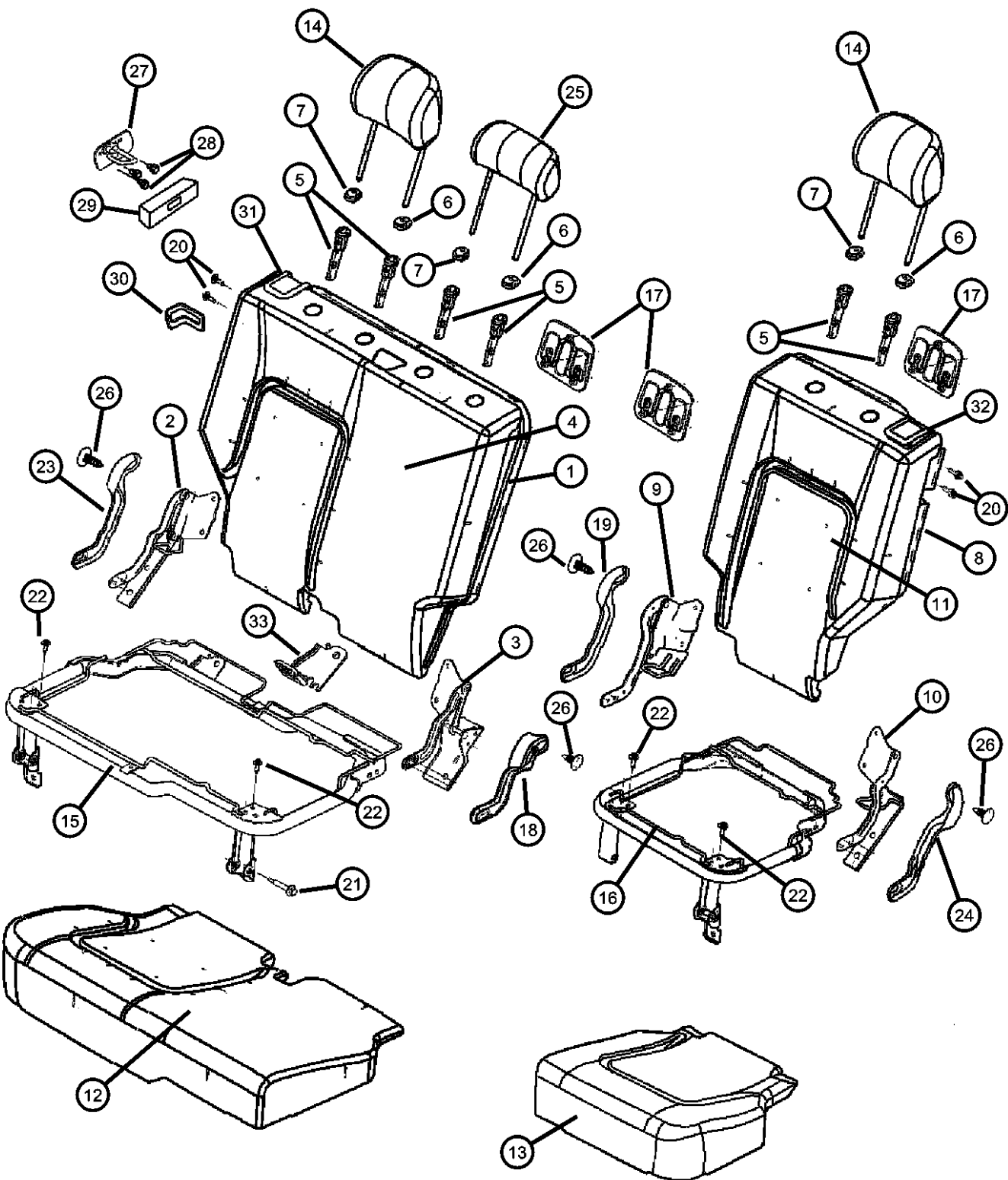
ENGINE      TRANSMISSION  
EKG = 3.7L V6 Engine      DG6 = 4-Spd. Automatic 42RLE  
ENR = 2.8L 4 Cyl Turbo Diesel Engine      DGV = 4-Spd. Automatic VLP  
ENJ = 2.5L 4 Cyl 16V Turbo Diesel Engine      DGQ = 5-Spd Automatic 5-45RFE  
ED1 = 2.4L 4 Cyl DOHC 16v SMPI Engine      DEH = 6-Speed Manual NSG370  
Transmission  
DDD = 5-Speed HD Manual Transmission  
DDK = 5-Speed HD Manual Transmission

AR = use ase required - = Non illustrated part

2006 KJ

Rear Seat, Trim Code [B7]

Figure IKJ-640



ITEM	PART NUMBER	QTY	LINE	SERIES	BODY	ENGINE	TRANS	TRIM	DESCRIPTION
1	1BC761D5AA	1	J, U					*B7 [D5]	SEAT BACK, Rear, 65%
	1BC761J3AA	1	J, U					*B7 [J3]	
2	05071702AA	1	J, U					*B7	BRACKET AND HINGE, Rear Seat Back, 65%, Right Outboard
3	05071703AA	1	J, U					*B7	BRACKET AND HINGE, Rear Seat Back, 65%, Right Inboard
4									COVER, Rear Seat Back, 65%
	1BC801D5AA	1	J, U					*B7 [D5]	
	1BC801J3AA	1	J, U					*B7 [J3]	
5	05066017AA	2	J, U					*B7	SLEEVE, Headrest
6									CAP, Headrest Adjuster, With Button
	0WA461D5AA	1	J, U					*B7 [D5]	
	0WA461J3AA	1	J, U					*B7 [J3]	
7									CAP, Headrest Adjuster, Without Button
	0WA311D5AA	1	J, U					*B7 [D5]	
	0WA311J3AA	1	J, U					*B7 [J3]	
8									SEAT BACK, Rear, 35%
	1BC751D5AA	1	J, U					*B7 [D5]	
	1BC751J3AA	1	J, U					*B7 [J3]	
9	05071704AA	1	J, U					*B7	BRACKET AND HINGE, Rear Seat Back, 35%, Left Inboard
10	05071705AA	1	J, U					*B7	BRACKET AND HINGE, Rear Seat Back, 35%, Left Outboard
11									COVER, Rear Seat Back, 35%
	1BC791D5AA	1	J, U					*B7 [D5]	
	1BC791J3AA	1	J, U					*B7 [J3]	
12									COVER AND PAD, Cushion, 65%
	1BC821D5AA	1	J, U					*B7 [D5]	
	1BC821J3AA	1	J, U					*B7 [J3]	
13									COVER AND PAD, Cushion, 35%
	1BC831D5AA	1	J, U					*B7 [D5]	

LIBERTY (KJ)

SERIES LINE  
 H = HIGHLINE T = JEEP - 2WD  
 M = MEDIUM J = JEEP - 4WD  
 P = PREMIUM U = JEEP - 4WD (RHD)

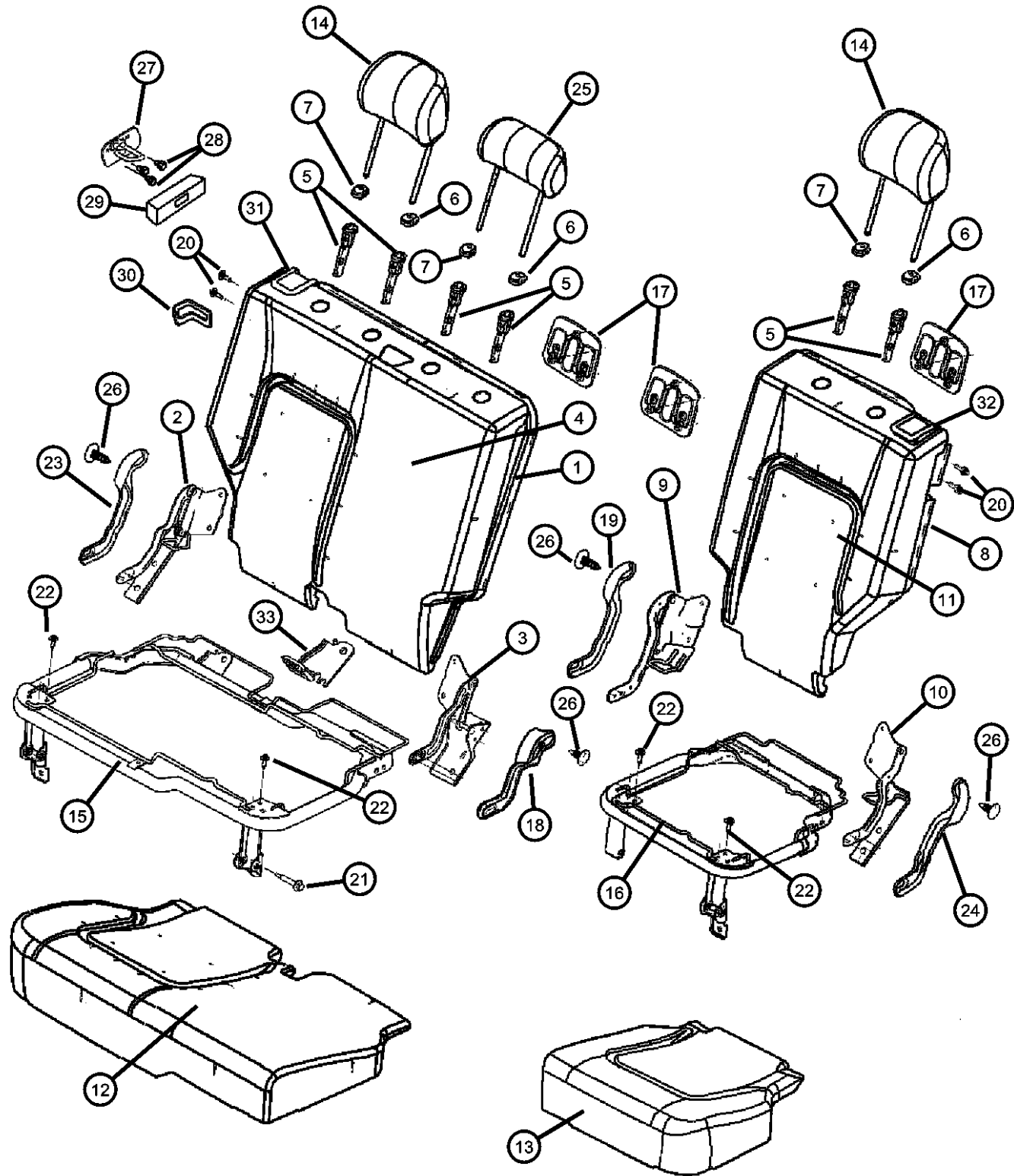
BODY  
 74 = SPORT UTILITY 4-DR

ENGINE TRANSMISSION  
 EKG = 3.7L V6 Engine DG6 = 4-Spd. Automatic 42RLE  
 ENR = 2.8L 4 Cyl Turbo Diesel Transmission  
 Engine DGV = 4-Spd. Automatic VLP  
 ENJ = 2.5L 4 Cyl 16V Turbo Transmission  
 Diesel Engine DGQ = 5-Spd Automatic 5-45RFE  
 ED1 = 2.4L 4 Cyl DOHC 16v Transmission  
 SMPI Engine DEH = 6-Speed Manual NSG370  
 Transmission  
 DDD = 5-Speed HD Manual  
 Transmission  
 DDK = 5-Speed HD Manual  
 Transmission

AR = use ase required - = Non illustrated part

2006 KJ

Rear Seat, Trim Code [B7]  
Figure IKJ-640



ITEM	PART NUMBER	QTY	LINE	SERIES	BODY	ENGINE	TRANS	TRIM	DESCRIPTION
14	1BC831J3AA	1	J, U					*B7 [J3]	HEADREST, Rear
	1BC681D5AA	2	J, U					*B7 [D5]	
	1BC681J3AA	2	J, U					*B7 [J3]	
15	05072112AA	1	J, U					*B7	PANEL, Seat Cushion Base, 65%
16	05072113AA	1	J, U					*B7	PANEL, Seat Cushion Base, 35%
17									BEZEL, TETHER
	0WB44XD-HAA	1	J, U					*B7 [D5]	
	0WB44ZJ8AA	1	J, U					*B7 [J3]	
18									COVER, Hinge
	0UZ451D5AA	1	J, U					*B7 [D5]	Right Inboard
	0UZ451J3AA	1	J, U					*B7 [J3]	Right Inboard
19									COVER, Hinge
	0UZ461D5AA	1	J, U					*B7 [D5]	Left Inboard
	0UZ461J3AA	1	J, U					*B7 [J3]	Left Inboard
20	05072520AA	2	J, U					*B7	BOLT, Pivot
21	05072519AA	1	J, U					*B7	BOLT, Seat
22	04761014	1	J, U					*B7	BOLT, Cushion To Adjuster
23									COVER, Hinge
	0UZ441D5AA	1	J, U					*B7 [D5]	
	0UZ441J3AA	1	J, U					*B7 [J3]	
24									COVER, Hinge
	0UZ471D5AA	1	J, U					*B7 [D5]	
	0UZ471J3AA	1	J, U					*B7 [J3]	
25									HEADREST, Rear
	1BC691D5AA	1	J, U					*B7 [D5]	
	1BC691J3AA	1	J, U					*B7 [J3]	
26									PIN, Push
	0WA511D5AA	2	J, U					*B7 [D5]	

LIBERTY (KJ)

SERIES LINE  
H = HIGHLINE T = JEEP - 2WD  
M = MEDIUM J = JEEP - 4WD  
P = PREMIUM U = JEEP - 4WD (RHD)

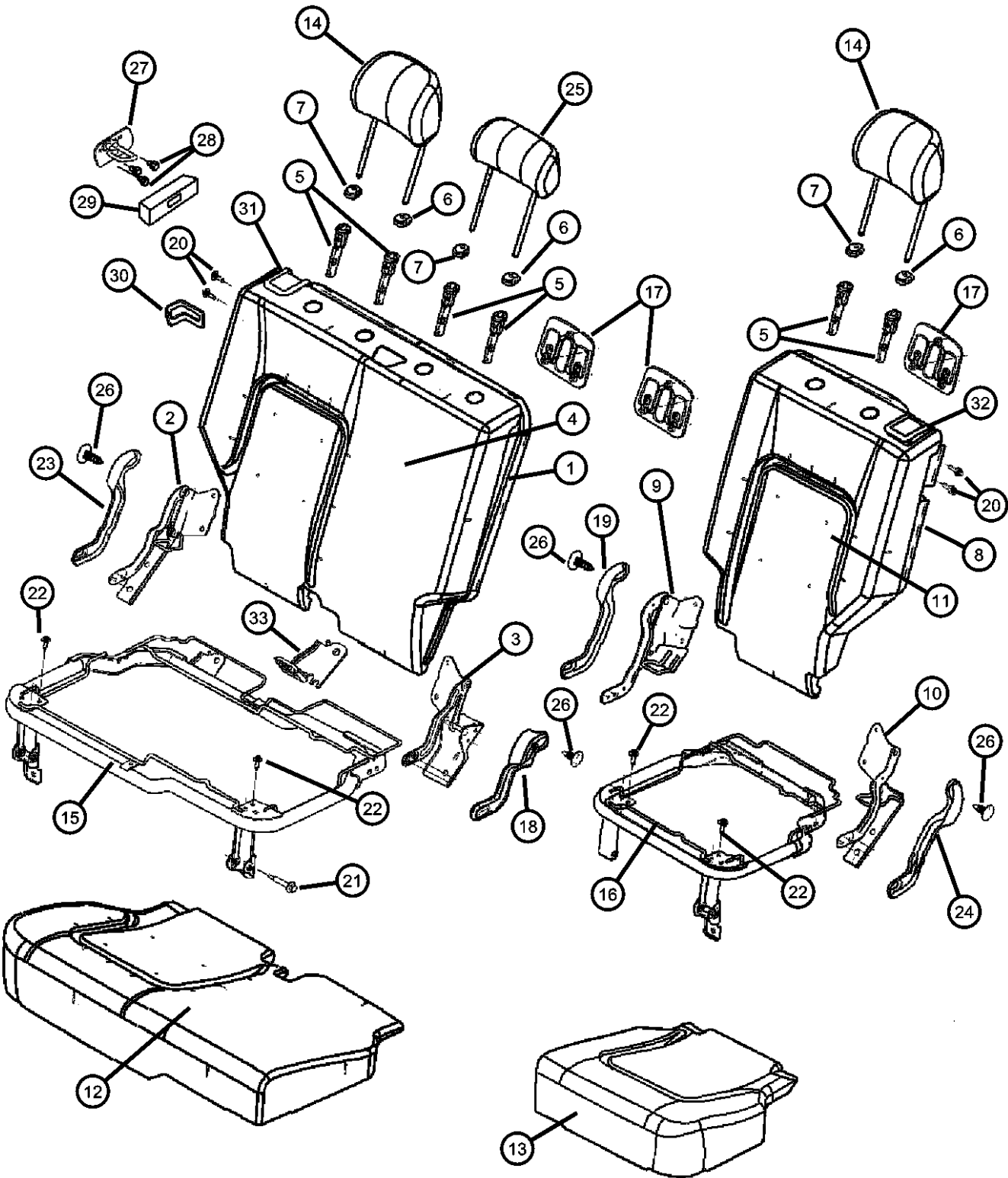
BODY  
74 = SPORT UTILITY 4-DR

ENGINE TRANSMISSION  
EKG = 3.7L V6 Engine DG6 = 4-Spd. Automatic 42RLE  
ENR = 2.8L 4 Cyl Turbo Diesel Transmission  
Engine DGV = 4-Spd. Automatic VLP  
ENJ = 2.5L 4 Cyl 16V Turbo Transmission  
Diesel Engine DGQ = 5-Spd Automatic 5-45RFE  
ED1 = 2.4L 4 Cyl DOHC 16v Transmission  
SMPI Engine DEH = 6-Speed Manual NSG370  
Transmission  
DDD = 5-Speed HD Manual  
Transmission  
DDK = 5-Speed HD Manual  
Transmission

AR = use ase required - = Non illustrated part

2006 KJ

Rear Seat, Trim Code [B7]  
Figure IKJ-640



ITEM	PART NUMBER	QTY	LINE	SERIES	BODY	ENGINE	TRANS	TRIM	DESCRIPTION
	OWA511J3AA	2	J, U					*B7 [J3]	
27	55352816AC	1							STRIKER, Seat Back Latch Right
	55352817AC	1							Left
28	06501648	6							SCREW, Hex Flange Head, M8x1.25x25.00
29	55352839AC	2							BEZEL, Seat Latch
30									BEZEL, Seat Latch
	OWA92XD-HAA	1	J, U					*B7 [D5]	
	OWA92ZJ8AA	1	J, U					*B7 [J3]	
31									CONTROL, SEAT RELEASE, With Cable and Latch
	0XF781D5AB	1	J, U					*B7 [D5]	
	0XF781J3AB	1	J, U					*B7 [J3]	
32									CONTROL, SEAT RELEASE, With Latch
	0XF791D5AB	1	J, U					*B7 [D5]	
	0XF791J3AB	1	J, U					*B7 [J3]	
33	05134366AA	1	J, U					*B7	BRACKET, Child Tether Anchor

LIBERTY (KJ)

SERIES LINE  
H = HIGHLINE T = JEEP - 2WD  
M = MEDIUM J = JEEP - 4WD  
P = PREMIUM U = JEEP - 4WD (RHD)

BODY  
74 = SPORT UTILITY 4-DR

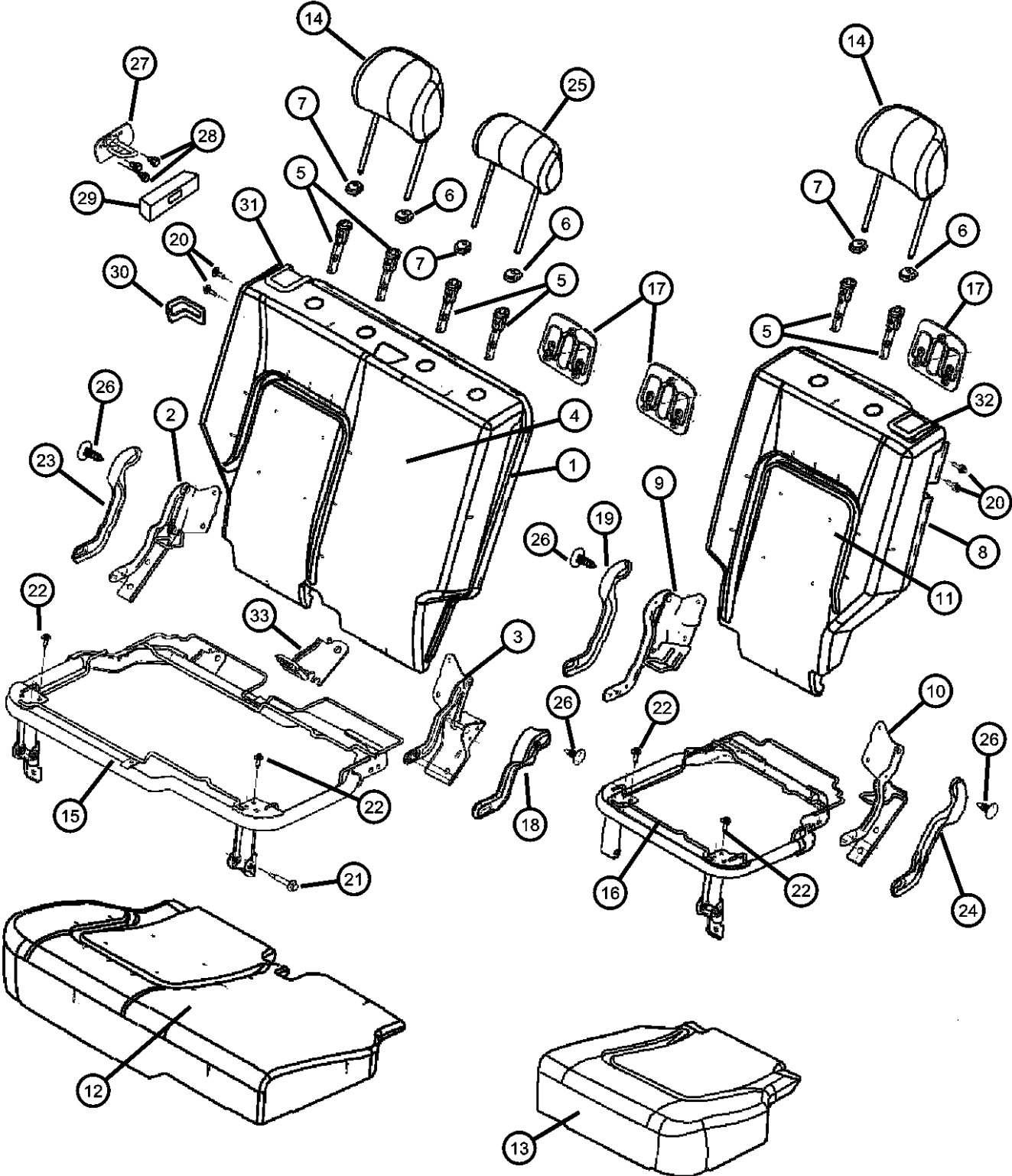
ENGINE TRANSMISSION  
EKG = 3.7L V6 Engine DG6 = 4-Spd. Automatic 42RLE  
ENR = 2.8L 4 Cyl Turbo Diesel Transmission  
Engine DGV = 4-Spd. Automatic VLP  
ENJ = 2.5L 4 Cyl 16V Turbo Transmission  
Diesel Engine DGQ = 5-Spd Automatic 5-45RFE  
ED1 = 2.4L 4 Cyl DOHC 16v Transmission  
SMPI Engine DEH = 6-Speed Manual NSG370  
Transmission  
DDD = 5-Speed HD Manual  
Transmission  
DDK = 5-Speed HD Manual  
Transmission

AR = use ase required - = Non illustrated part

2006 KJ



Rear Seat, Trim Code [J7]  
Figure IKJ-650

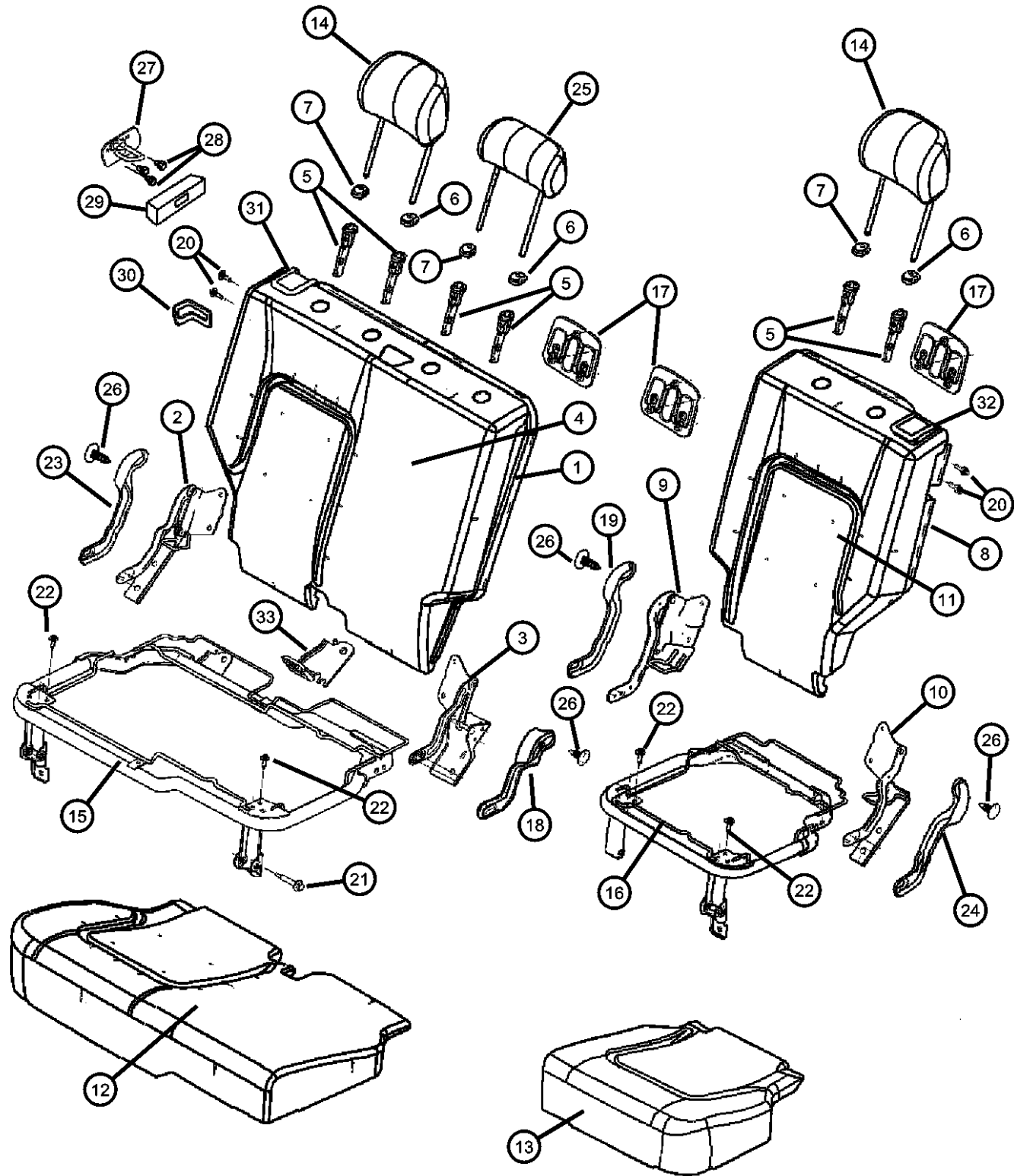


ITEM	PART NUMBER	QTY	LINE	SERIES	BODY	ENGINE	TRANS	TRIM	DESCRIPTION
1	1BD201D5AA	1	J					*J7 [D5]	SEAT BACK, Rear, 65%
	1BD201J3AA	1	J					*J7 [J3]	
2	05071702AA	1	J					*J7	BRACKET AND HINGE, Rear Seat Back, 65%, Right Outboard
3	05071703AA	1	J					*J7	BRACKET AND HINGE, Rear Seat Back, 65%, Right Inboard
4	1BD181D5AA	1	J					*J7 [D5]	COVER, Rear Seat Back, 65%
	1BD181J3AA	1	J					*J7 [J3]	
5	05066017AA	2	J					*J7	SLEEVE, Headrest
6	0WA461D5AA	1	J					*J7 [D5]	CAP, Headrest Adjuster, With Button
	0WA461J3AA	1	J					*J7 [J3]	
7	0WA311D5AA	1	J					*J7 [D5]	CAP, Headrest Adjuster, Without Button
	0WA311J3AA	1	J					*J7 [J3]	
8	1BD171D5AA	1	J					*J7 [D5]	SEAT BACK, Rear, 35%
	1BD171J3AA	1	J					*J7 [J3]	
9	05071704AA	1	J					*J7	BRACKET AND HINGE, Rear Seat Back, 35%, Left Inboard
10	05071705AA	1	J					*J7	BRACKET AND HINGE, Rear Seat Back, 35%, Left Outboard
11	1BD151D5AA	1	J					*J7 [D5]	COVER, Rear Seat Back, 35%
	1BD151J3AA	1	J					*J7 [J3]	
12	1BD121D5AA	1	J					*J7 [D5]	COVER AND PAD, Cushion, 65%
	1BD121J3AA	1	J					*J7 [J3]	
13	1BD131D5AA	1	J					*J7 [D5]	COVER AND PAD, Cushion, 35%

LIBERTY (KJ)  
 SERIES LINE BODY ENGINE TRANSMISSION  
 H = HIGHLINE T = JEEP - 2WD 74 = SPORT UTILITY 4-DR EKG = 3.7L V6 Engine DG6 = 4-Spd. Automatic 42RLE  
 M = MEDIUM J = JEEP - 4WD ENR = 2.8L 4 Cyl Turbo Diesel Engine DGV = 4-Spd. Automatic VLP  
 P = PREMIUM U = JEEP - 4WD (RHD) ENJ = 2.5L 4 Cyl 16V Turbo Diesel Engine DGQ = 5-Spd Automatic 5-45RFE  
 ED1 = 2.4L 4 Cyl DOHC 16v SMPI Engine DEH = 6-Speed Manual NSG370 Transmission  
 DDD = 5-Speed HD Manual Transmission  
 DDK = 5-Speed HD Manual Transmission

AR = use ase required - = Non illustrated part

Rear Seat, Trim Code [J7]  
Figure IKJ-650



ITEM	PART NUMBER	QTY	LINE	SERIES	BODY	ENGINE	TRANS	TRIM	DESCRIPTION
14	1BD131J3AA	1	J					*J7 [J3]	HEADREST, Rear
	1BC971D5AA	1	J					*J7 [D5]	
	1BC971J3AA	1	J					*J7 [J3]	
15	05072112AA	1	J					*J7	PANEL, Seat Cushion Base, 65%
16	05072113AA	1	J					*J7	PANEL, Seat Cushion Base, 35%
17									BEZEL, TETHER
	0WB44XD-HAA	1	J					*J7 [D5]	
	0WB44ZJ8AA	1	J					*J7 [J3]	
18									COVER, Hinge
	0UZ451D5AA	1	J					*J7 [D5]	Right Inboard
	0UZ451J3AA	1	J					*J7 [J3]	Right Inboard
19									COVER, Hinge
	0UZ461D5AA	1	J					*J7 [D5]	Left Inboard
	0UZ461J3AA	1	J					*J7 [J3]	Left Inboard
20	05072520AA	2	J					*J7	BOLT, Pivot
21	05072519AA	1	J					*J7	BOLT, Seat
22	04761014	8	J, U					*J7	BOLT, Cushion To Adjuster
23									COVER, Hinge
	0UZ441D5AA	1	J					*J7 [D5]	Right Outboard
	0UZ441J3AA	1	J					*J7 [J3]	Right Outboard
24									COVER, Hinge
	0UZ471D5AA	1	J					*J7 [D5]	Left Outboard
	0UZ471J3AA	1	J					*J7 [J3]	Left Outboard
25									HEADREST, Rear
	1BD021D5AA	1	J					*J7 [D5]	
	1BD021J3AA	1	J					*J7 [J3]	
26									PIN, Push
	0WA511D5AA	1	J					*J7 [D5]	

LIBERTY (KJ)

SERIES LINE  
H = HIGHLINE T = JEEP - 2WD  
M = MEDIUM J = JEEP - 4WD  
P = PREMIUM U = JEEP - 4WD (RHD)

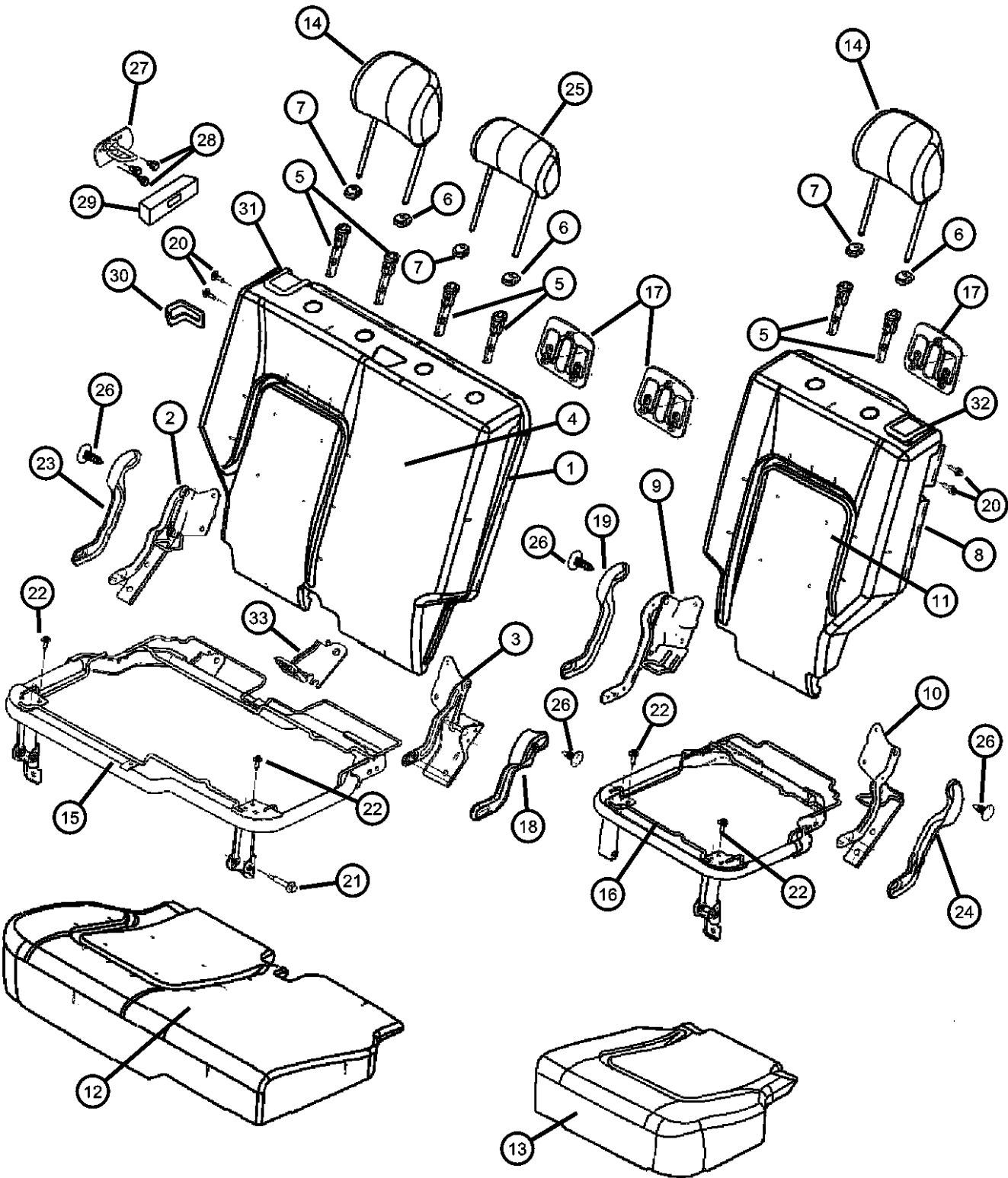
BODY  
74 = SPORT UTILITY 4-DR

ENGINE TRANSMISSION  
EKG = 3.7L V6 Engine DG6 = 4-Spd. Automatic 42RLE  
ENR = 2.8L 4 Cyl Turbo Diesel Transmission  
Engine DGV = 4-Spd. Automatic VLP  
ENJ = 2.5L 4 Cyl 16V Turbo Transmission  
Diesel Engine DGQ = 5-Spd Automatic 5-45RFE  
ED1 = 2.4L 4 Cyl DOHC 16v Transmission  
SMPI Engine DEH = 6-Speed Manual NSG370  
Transmission  
DDD = 5-Speed HD Manual  
Transmission  
DDK = 5-Speed HD Manual  
Transmission

AR = use ase required - = Non illustrated part

2006 KJ

Rear Seat, Trim Code [J7]  
Figure IKJ-650



ITEM	PART NUMBER	QTY	LINE	SERIES	BODY	ENGINE	TRANS	TRIM	DESCRIPTION
	OWA511J3AA	1	J					*J7 [J3]	
27	55352816AC	1							STRIKER, Seat Back Latch Right
	55352817AC	1							Left
28	06501648	6							SCREW, Hex Flange Head, M8x1.25x25.00
29	55352839AC	2							BEZEL, Seat Latch
30									BEZEL, Seat Latch
	OWA921D5AA	1	J					*J7 [D5]	
	OWA92ZJ8AA	1	J					*J7 [J3]	
31									CONTROL, SEAT RELEASE, With Cable and Latch
	0XF781D5AB	1	J					*J7 [D5]	
	0XF781J3AB	1	J					*J7 [J3]	
32									CONTROL, SEAT RELEASE, With Latch
	0XF791D5AB	1	J					*J7 [D5]	
	0XF791J3AB	1	J					*J7 [J3]	
33	05134366AA	1	J, U					*J7	BRACKET, Child Tether Anchor

LIBERTY (KJ)

SERIES LINE  
H = HIGHLINE T = JEEP - 2WD  
M = MEDIUM J = JEEP - 4WD  
P = PREMIUM U = JEEP - 4WD (RHD)

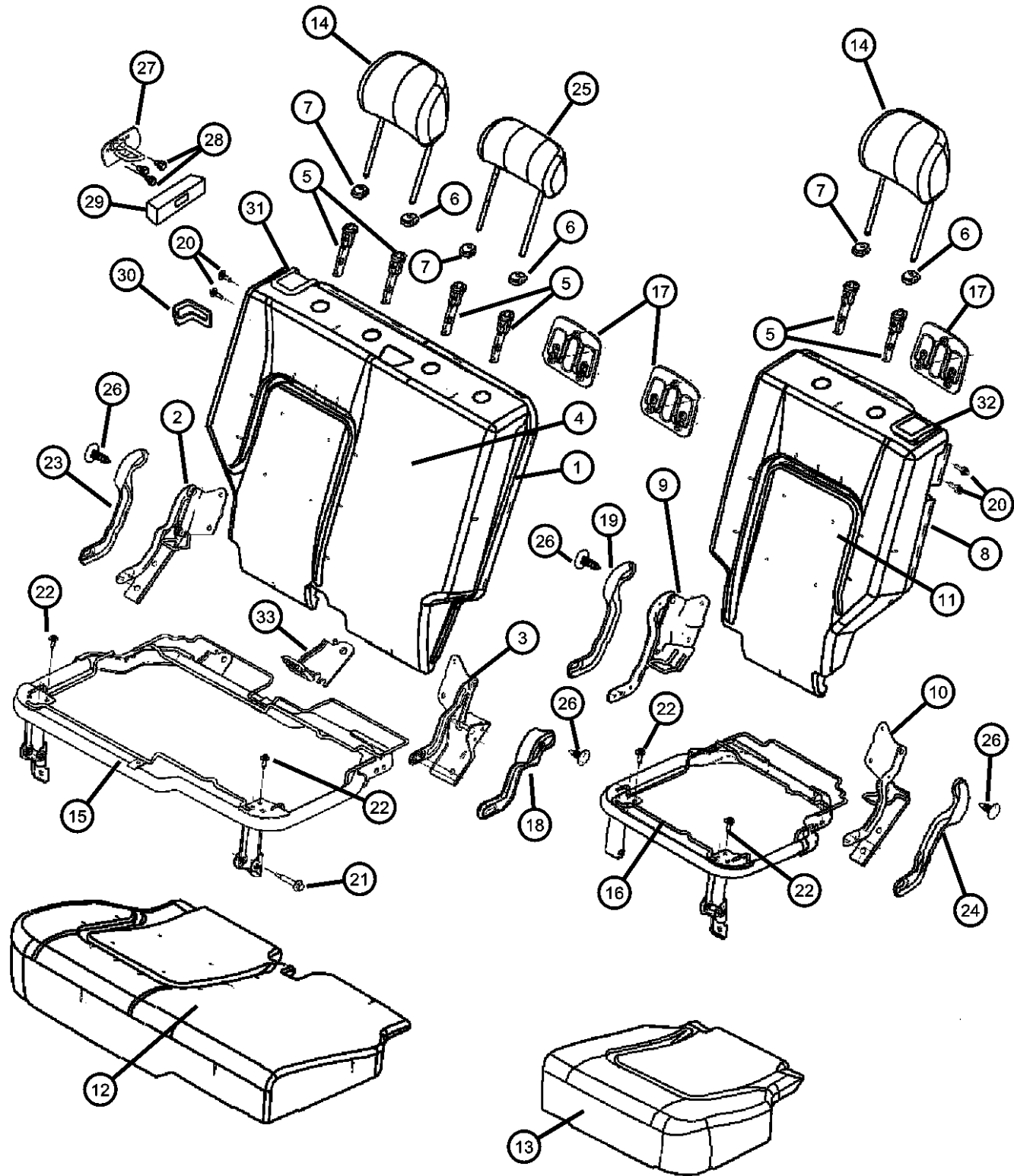
BODY  
74 = SPORT UTILITY 4-DR

ENGINE TRANSMISSION  
EKG = 3.7L V6 Engine DG6 = 4-Spd. Automatic 42RLE  
ENR = 2.8L 4 Cyl Turbo Diesel Transmission  
Engine DGV = 4-Spd. Automatic VLP  
ENJ = 2.5L 4 Cyl 16V Turbo Transmission  
Diesel Engine DGQ = 5-Spd Automatic 5-45RFE  
ED1 = 2.4L 4 Cyl DOHC 16v Transmission  
SMPI Engine DEH = 6-Speed Manual NSG370  
Transmission  
DDD = 5-Speed HD Manual  
Transmission  
DDK = 5-Speed HD Manual  
Transmission

AR = use ase required - = Non illustrated part

2006 KJ

Rear Seat, Trim Code [L7]  
Figure IKJ-660



ITEM	PART NUMBER	QTY	LINE	SERIES	BODY	ENGINE	TRANS	TRIM	DESCRIPTION
1	1BC981D5AA	1	J, T					*L7 [D5]	SEAT BACK, Rear, 65%
	1BC981J3AA	1	J, T					*L7 [J3]	
	1BD001D5AA	1	J, U					*L7 [D5]	
	1BD001J3AA	1	J, U					*L7 [J3]	
2	05071702AA	1	J, T					*L7	BRACKET AND HINGE, Rear Seat Back, 65%
		1	J, U					*L7	Right Outboard
3	05071703AA	1	J, T					*L7	BRACKET AND HINGE, Rear Seat Back, 65%
		1	J, U					*L7	Right Inboard
4	1BC941D5AA	1	J, T					*L7 [D5]	COVER, Rear Seat Back, 65%
	1BC941J3AA	1	J, T					*L7 [J3]	
	1BC961D5AA	1	J, U					*L7 [D5]	
	1BC961J3AA	1	J, U					*L7 [J3]	
5	05066017AA	2	J, T					*L7	SLEEVE, Headrest
		2	J, U					*L7	
6	0WA461D5AA	1	J, T					*L7 [D5]	CAP, Headrest Adjuster, With Button
		1	J, U					*L7 [D5]	
	0WA461J3AA	1	J, T					*L7 [J3]	
		1	J, U					*L7 [J3]	
7	0WA311D5AA	1	J, T					*L7 [D5]	CAP, Headrest Adjuster, Without Button
		1	J, U					*L7 [D5]	
	0WA311J3AA	1	J, T					*L7 [J3]	
		1	J, U					*L7 [J3]	

LIBERTY (KJ)

SERIES LINE  
H = HIGHLINE T = JEEP - 2WD  
M = MEDIUM J = JEEP - 4WD  
P = PREMIUM U = JEEP - 4WD (RHD)

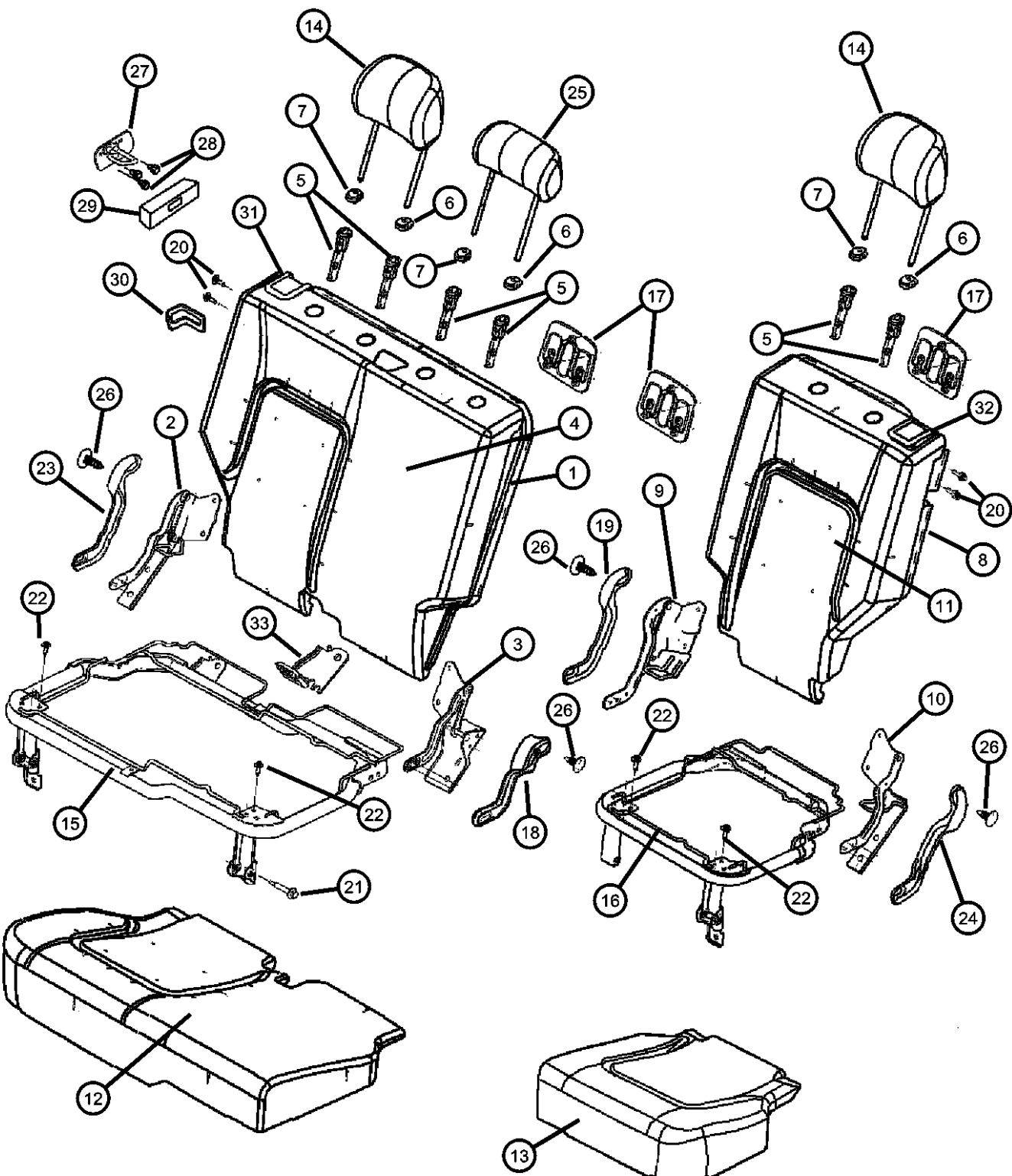
BODY  
74 = SPORT UTILITY 4-DR

ENGINE TRANSMISSION  
EKG = 3.7L V6 Engine DG6 = 4-Spd. Automatic 42RLE  
ENR = 2.8L 4 Cyl Turbo Diesel Transmission  
Engine DGV = 4-Spd. Automatic VLP  
ENJ = 2.5L 4 Cyl 16V Turbo Transmission  
Diesel Engine DGQ = 5-Spd Automatic 5-45RFE  
ED1 = 2.4L 4 Cyl DOHC 16v Transmission  
SMPI Engine DEH = 6-Speed Manual NSG370  
Transmission  
DDD = 5-Speed HD Manual  
Transmission  
DDK = 5-Speed HD Manual  
Transmission

AR = use ase required - = Non illustrated part

2006 KJ

Rear Seat, Trim Code [L7]  
Figure IKJ-660

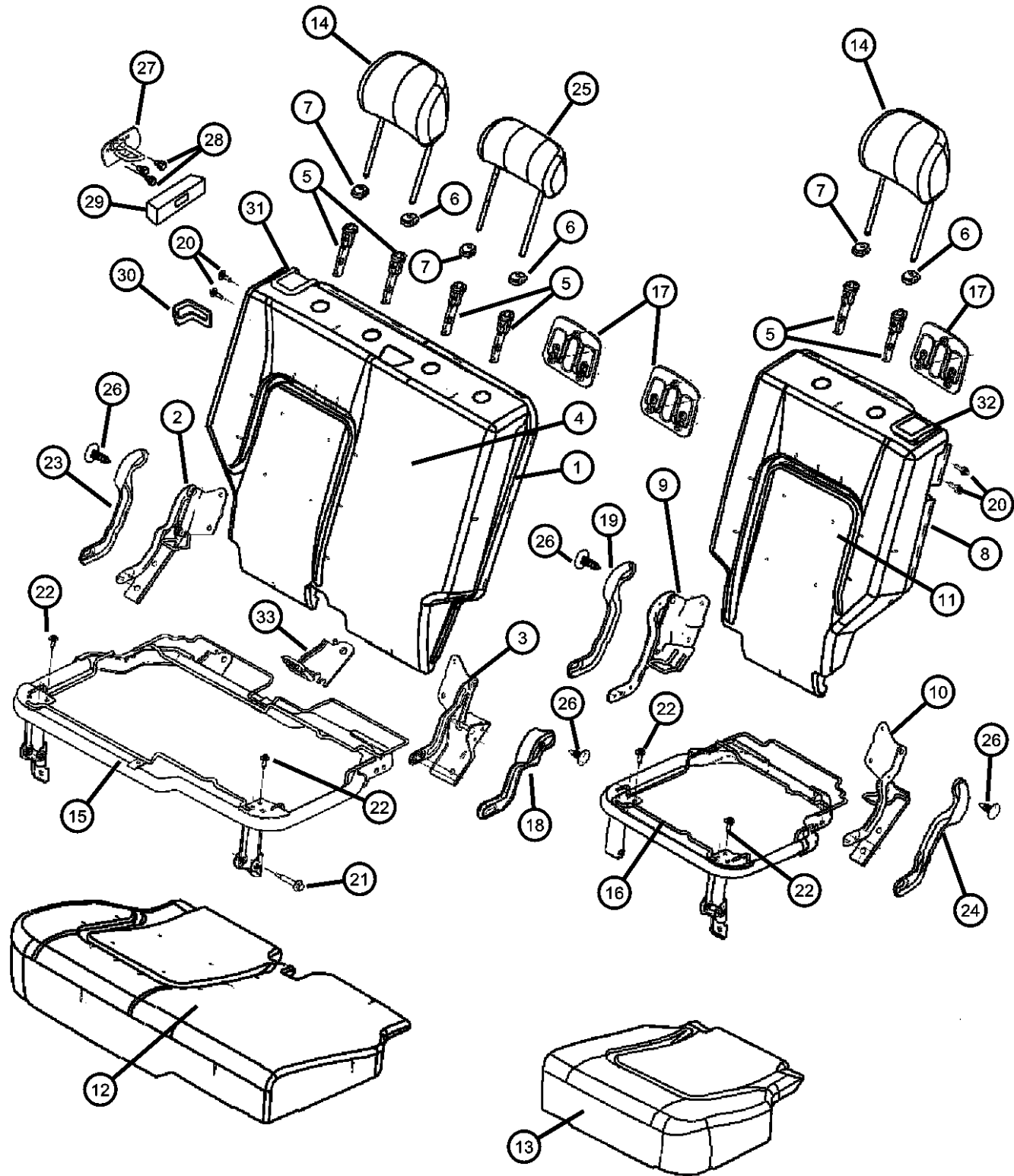


ITEM	PART NUMBER	QTY	LINE	SERIES	BODY	ENGINE	TRANS	TRIM	DESCRIPTION
8	1BC991D5AA	1	J, T					*L7 [D5]	SEAT BACK, Rear, 35%
		1	J, U					*L7 [D5]	
	1BC991J3AA	1	J, T					*L7 [J3]	
		1	J, U					*L7 [J3]	
9	05071704AA	1	J, T					*L7	BRACKET AND HINGE, Rear Seat Back, 35%
		1	J, U					*L7	Left Inboard
10	05071705AA	1	J, T					*L7	BRACKET AND HINGE, Rear Seat Back, 35%
		1	J, U					*L7	Left Outboard
11	1BC951D5AA	1	J, T					*L7 [D5]	COVER, Rear Seat Back, 35%
		1	J, U					*L7 [D5]	
	1BC951J3AA	1	J, T					*L7 [J3]	
		1	J, U					*L7 [J3]	
12	1BC921D5AA	1	J, T					*L7 [D5]	COVER AND PAD, Cushion, 65%
		1	J, U					*L7 [D5]	
	1BC921J3AA	1	J, T					*L7 [J3]	
		1	J, U					*L7 [J3]	
13	1BC931D5AA	1	J, T					*L7 [D5]	COVER AND PAD, Cushion, 35%
		1	J, U					*L7 [D5]	
	1BC931J3AA	1	J, T					*L7 [J3]	
		1	J, U					*L7 [J3]	
14	1BC851D5AA	2	J, T					*L7 [D5]	HEADREST, Rear
		2	J, U					*L7 [D5]	

LIBERTY (KJ)  
 SERIES H = HIGHLINE M = MEDIUM P = PREMIUM  
 LINE T = JEEP - 2WD J = JEEP - 4WD U = JEEP - 4WD (RHD)  
 BODY 74 = SPORT UTILITY 4-DR  
 ENGINE EKG = 3.7L V6 Engine ENR = 2.8L 4 Cyl Turbo Diesel Engine ENJ = 2.5L 4 Cyl 16V Turbo Diesel Engine ED1 = 2.4L 4 Cyl DOHC 16v SMPI Engine  
 TRANSMISSION DG6 = 4-Spd. Automatic 42RLE Transmission DGV = 4-Spd. Automatic VLP Transmission DGQ = 5-Spd Automatic 5-45RFE Transmission DEH = 6-Speed Manual NSG370 Transmission DDD = 5-Speed HD Manual Transmission DDK = 5-Speed HD Manual Transmission

AR = use ase required - = Non illustrated part

Rear Seat, Trim Code [L7]  
Figure IKJ-660



ITEM	PART NUMBER	QTY	LINE	SERIES	BODY	ENGINE	TRANS	TRIM	DESCRIPTION
	1BC851J3AA	2	J, T					*L7 [J3]	
		2	J, U					*L7 [J3]	
15	05072112AA	1	J, T					*L7	PANEL, Seat Cushion Base, 65%
		1	J, U					*L7	
16	05072113AA	1	J, T					*L7	PANEL, Seat Cushion Base, 35%
		1	J, U					*L7	
17									BEZEL, TETHER
	0WB44XD-HAA	2	J, T					*L7 [D5]	
		1	J, U					*L7 [D5]	
	0WB44ZJ8AA	2	J, T					*L7 [J3]	
		2	J, U					*L7 [J3]	
18									COVER, Hinge
	0UZ451D5AA	1	J, T					*L7 [D5]	Right Inboard
		1	J, U					*L7 [D5]	Right Inboard
	0UZ451J3AA	1	J, T					*L7 [J3]	Right Inboard
		1	J, U					*L7 [J3]	Right Inboard
19									COVER, Hinge
	0UZ461D5AA	1	J, T					*L7 [D5]	
		1	J, U					*L7 [D5]	
	0UZ461J3AA	1	J, T					*L7 [J3]	
		1	J, U					*L7 [J3]	
20									BOLT, Pivot
	05072520AA	2	J, T					*L7	
		2	J, U					*L7	
21									BOLT, Seat
	05072519AA	1	J, T					*L7	
		1	J, U					*L7	

LIBERTY (KJ)

SERIES LINE  
H = HIGHLINE T = JEEP - 2WD  
M = MEDIUM J = JEEP - 4WD  
P = PREMIUM U = JEEP - 4WD (RHD)

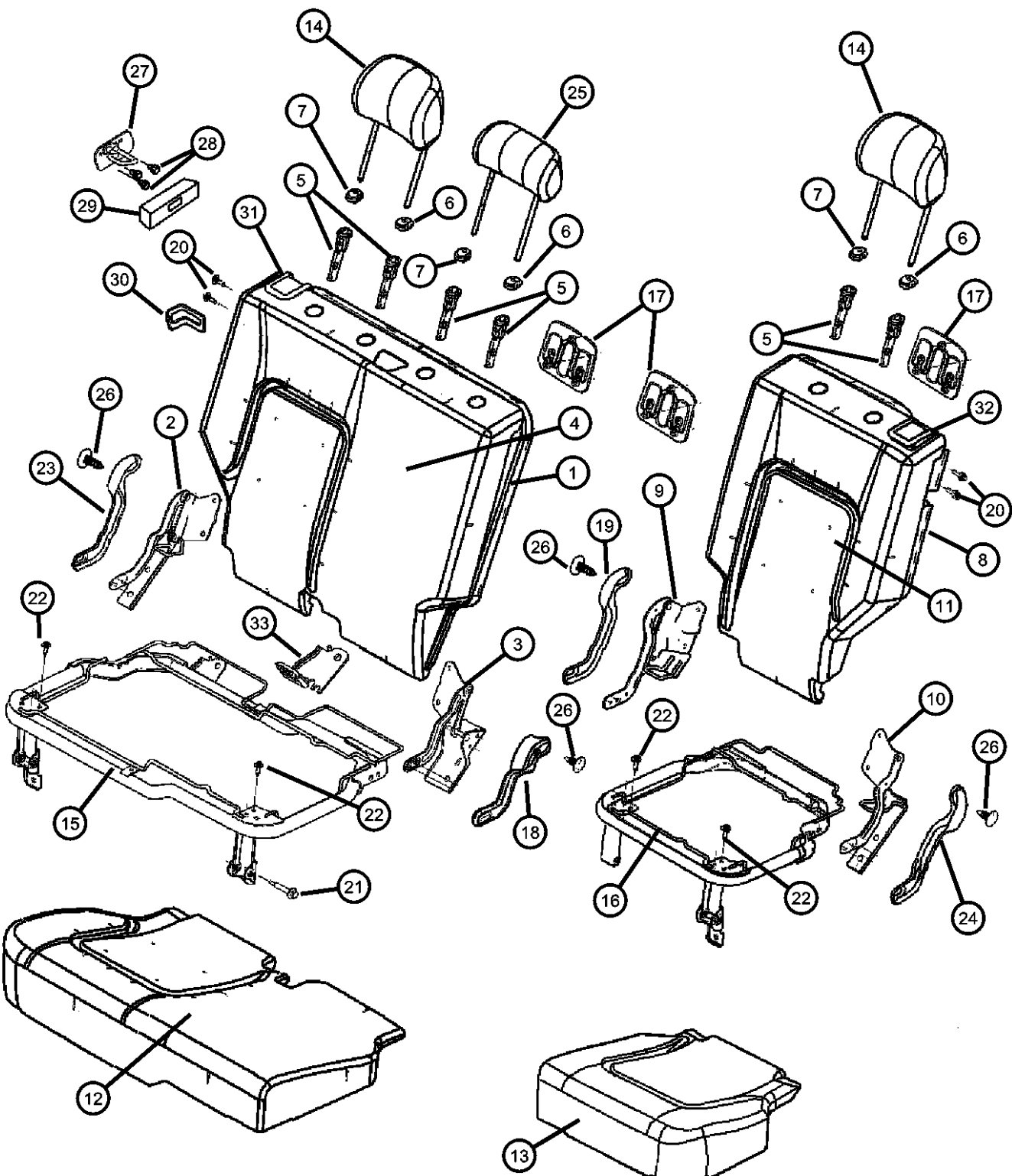
BODY  
74 = SPORT UTILITY 4-DR

ENGINE TRANSMISSION  
EKG = 3.7L V6 Engine DG6 = 4-Spd. Automatic 42RLE  
ENR = 2.8L 4 Cyl Turbo Diesel Transmission  
Engine DGV = 4-Spd. Automatic VLP  
ENJ = 2.5L 4 Cyl 16V Turbo Transmission  
Diesel Engine DGQ = 5-Spd Automatic 5-45RFE  
ED1 = 2.4L 4 Cyl DOHC 16v Transmission  
SMPI Engine DEH = 6-Speed Manual NSG370  
Transmission  
DDD = 5-Speed HD Manual  
Transmission  
DDK = 5-Speed HD Manual  
Transmission

AR = use ase required - = Non illustrated part

2006 KJ

Rear Seat, Trim Code [L7]  
Figure IKJ-660

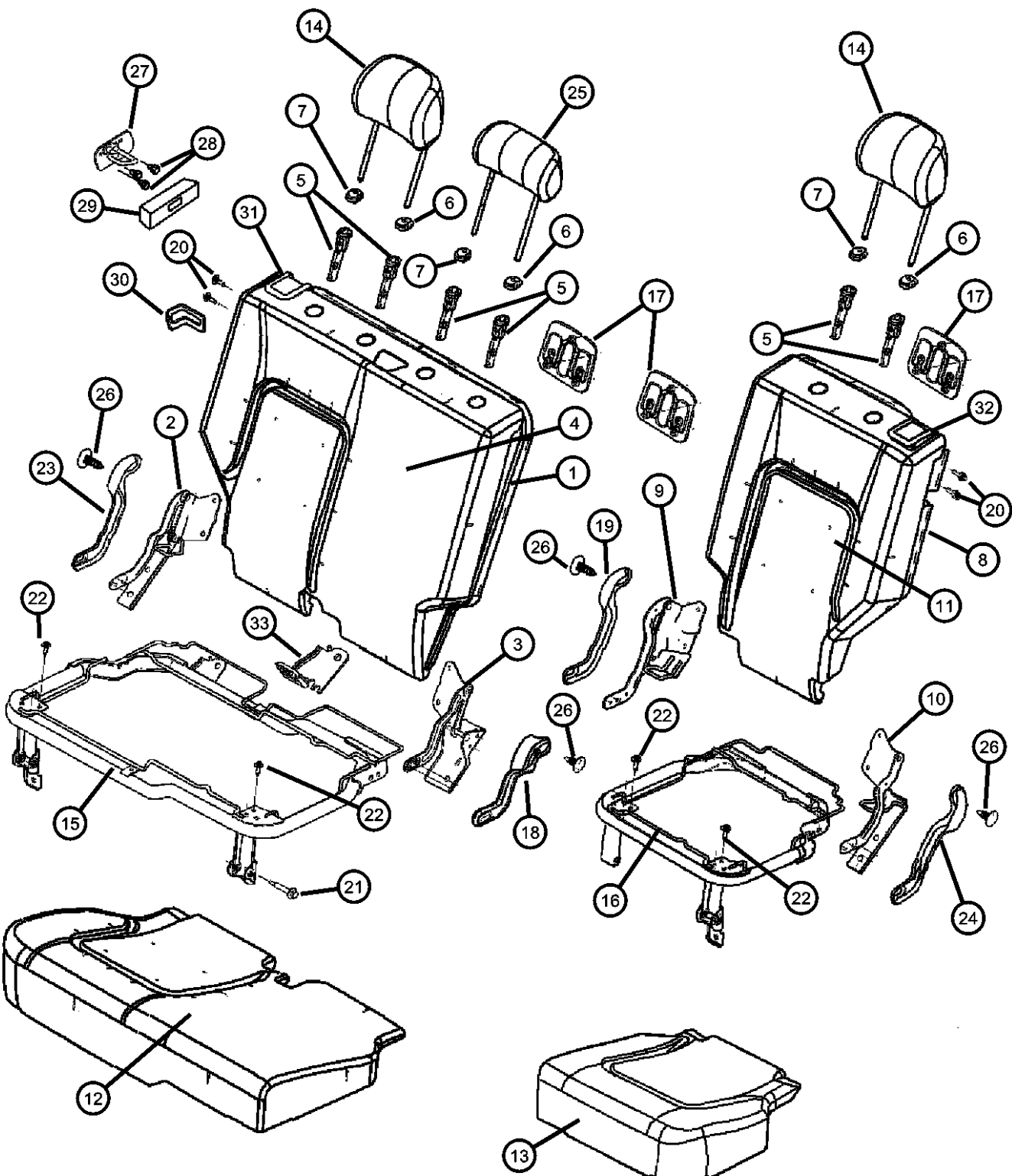


ITEM	PART NUMBER	QTY	LINE	SERIES	BODY	ENGINE	TRANS	TRIM	DESCRIPTION
22	04761014	8	J, T					*L7	BOLT, Cushion To Adjuster
		8	J, U					*L7	
23	0UZ441D5AA	1	J, T					*L7	COVER, Hinge [D5] Right Outboard
		1	J, U					*L7	[D5] Right Outboard
	0UZ441J3AA	1	J, T					*L7	[J3] Right Outboard
		1	J, U					*L7	[J3] Right Outboard
24	0UZ471D5AA	1	J, T					*L7	COVER, Hinge [D5] Left Outboard
		1	J, U					*L7	[D5] Left Outboard
	0UZ471J3AA	1	J, T					*L7	[J3] Left Outboard
		1	J, U					*L7	[J3] Left Outboard
25	1BC811D5AA	1	J, U					*L7	HEADREST, Rear [D5]
	1BC811J3AA	1	J, U					*L7	[J3]
26	0WA511D5AA	1	J, T					*L7	PIN, Push [D5]
		1	J, U					*L7	[D5]
	0WA511J3AA	1	J, T					*L7	[J3]
		1	J, U					*L7	[J3]
27	55352816AC	1							STRIKER, Seat Back Latch Right
	55352817AC	1							Left
28	06501648	6							SCREW, Hex Flange Head, M8x1.25x25.00
29	55352839AC	2							BEZEL, Seat Latch
30	0WA92XD-HAA	1	J, T					*L7	BEZEL, Seat Latch [D5]
		1	J, U					*L7	[D5]

<b>LIBERTY (KJ)</b>				
SERIES	LINE	BODY	ENGINE	TRANSMISSION
H = HIGHLINE	T = JEEP - 2WD	74 = SPORT UTILITY 4-DR	EKG = 3.7L V6 Engine	DG6 = 4-Spd. Automatic 42RLE
M = MEDIUM	J = JEEP - 4WD		ENR = 2.8L 4 Cyl Turbo Diesel Engine	Transmission
P = PREMIUM	U = JEEP - 4WD (RHD)		ENJ = 2.5L 4 Cyl 16V Turbo Diesel Engine	DGV = 4-Spd. Automatic VLP
			ED1 = 2.4L 4 Cyl DOHC 16v SMPI Engine	Transmission
				DGQ = 5-Spd Automatic 5-45RFE
				Transmission
				DEH = 6-Speed Manual NSG370
				Transmission
				DDD = 5-Speed HD Manual
				Transmission
				DDK = 5-Speed HD Manual
				Transmission

AR = use ase required - = Non illustrated part

Rear Seat, Trim Code [L7]  
Figure IKJ-660



ITEM	PART NUMBER	QTY	LINE	SERIES	BODY	ENGINE	TRANS	TRIM	DESCRIPTION
	OWA92ZJ8AA	1	J, T					*L7 [J3]	
		1	J, U					*L7 [J3]	
31									CONTROL, SEAT RELEASE, With Cable and Latch
	0XF781D5AB	1	J, T					*L7 [D5]	
		1	J, U					*L7 [D5]	
	0XF781J3AB	1	J, T					*L7 [J3]	
		1	J, U					*L7 [J3]	
32									CONTROL, SEAT RELEASE, With Latch
	0XF791D5AB	1	J, T					*L7 [D5]	
		1	J, U					*L7 [D5]	
	0XF791J3AB	1	J, T					*L7 [J3]	
		1	J, U					*L7 [J3]	
33									BRACKET, Child Tether Anchor
	05134366AA	1	J, T					*N5	
		1	J, U					*B7	

<b>LIBERTY (KJ)</b>				
SERIES	LINE	BODY	ENGINE	TRANSMISSION
H = HIGHLINE	T = JEEP - 2WD	74 = SPORT UTILITY 4-DR	EKG = 3.7L V6 Engine	DG6 = 4-Spd. Automatic 42RLE
M = MEDIUM	J = JEEP - 4WD		ENR = 2.8L 4 Cyl Turbo Diesel Engine	Transmission
P = PREMIUM	U = JEEP - 4WD (RHD)		ENJ = 2.5L 4 Cyl 16V Turbo Diesel Engine	DGV = 4-Spd. Automatic VLP
			ED1 = 2.4L 4 Cyl DOHC 16v SMPI Engine	Transmission
				DGQ = 5-Spd Automatic 5-45RFE
				Transmission
				DEH = 6-Speed Manual NSG370
				Transmission
				DDD = 5-Speed HD Manual
				Transmission
				DDK = 5-Speed HD Manual
				Transmission

AR = use ase required - = Non illustrated part



Rear Seat, Trim Code [Y5]

Figure IKJ-670

ITEM	PART NUMBER	QTY	LINE	SERIES	BODY	ENGINE	TRANS	TRIM	DESCRIPTION
1	1BC761D5AA	1	J, T, U		74			*Y5	SEAT BACK, Rear, 65% [D5]
	1BC761J3AA	1	J, T, U		74			*Y5	[J3]
2	05071702AA	1	J, T, U		74			*Y5	BRACKET AND HINGE, Rear Seat Back, 65%, Right Outboard
3	05071703AA	1	J, T, U		74			*Y5	BRACKET AND HINGE, Rear Seat Back, 65%, Right Inboard
4	1EQ691D5AA	1	J, T, U		74			*Y5	COVER, Rear Seat Back, 65% [D5]
	1EQ691J3AA	1	J, T, U		74			*Y5	[J3]
5	05066017AA	2	J, T, U		74			*Y5	SLEEVE, Headrest
6	0WA461D5AA	1	J, T, U		74			*Y5	CAP, Headrest Adjuster, With Button [D5]
	0WA461J3AA	1	J, T, U		74			*Y5	[J3]
7	0WA311D5AA	1	J, T, U		74			*Y5	CAP, Headrest Adjuster, Without Button [D5]
	0WA311J3AA	1	J, T		74			*Y5	[J3]
8	1BC751D5AA	1	J, T, U		74			*Y5	SEAT BACK, Rear, 35% [D5]
	1BC751J3AA	1	J, T, U		74			*Y5	[J3]
9	05071704AA	1	T, U, J		74			*Y5	BRACKET AND HINGE, Rear Seat Back, 35%, Left Inboard
10	05071705AA	1	J, T, U		74			*Y5	BRACKET AND HINGE, Rear Seat Back, 35%, Left Outboard
11	1BC791D5AA	1	J, T, U		74			*Y5	COVER, Rear Seat Back, 35% [D5]
	1BC791J3AA	1	J, T, U		74			*Y5	[J3]
12	1BC821D5AA	1	J, T, U		74			*Y5	COVER AND PAD, Cushion, 65% [D5]
	1BC821J3AA	1	J, T, U		74			*Y5	[J3]
13	1BC831D5AA	1	J, T, U		74			*Y5	COVER AND PAD, Cushion, 35% [D5]

LIBERTY (KJ)

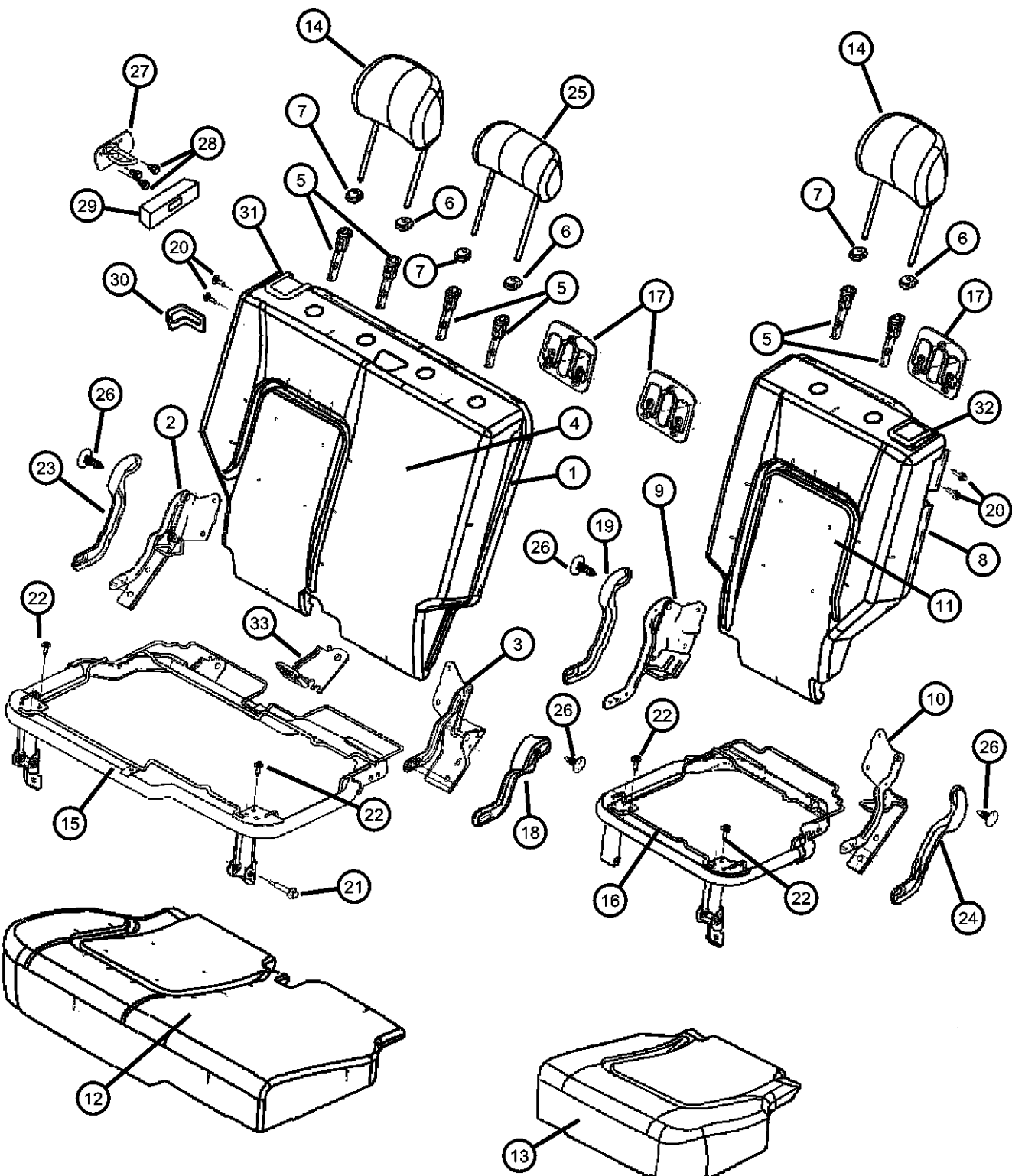
SERIES LINE  
 H = HIGHLINE T = JEEP - 2WD  
 M = MEDIUM J = JEEP - 4WD  
 P = PREMIUM U = JEEP - 4WD (RHD)

BODY  
 74 = SPORT UTILITY 4-DR

ENGINE TRANSMISSION  
 EKG = 3.7L V6 Engine DG6 = 4-Spd. Automatic 42RLE  
 ENR = 2.8L 4 Cyl Turbo Diesel Transmission  
 Engine DGV = 4-Spd. Automatic VLP  
 ENJ = 2.5L 4 Cyl 16V Turbo Transmission  
 Diesel Engine DGQ = 5-Spd Automatic 5-45RFE  
 ED1 = 2.4L 4 Cyl DOHC 16v Transmission  
 SMPI Engine DEH = 6-Speed Manual NSG370  
 Transmission  
 DDD = 5-Speed HD Manual  
 Transmission  
 DDK = 5-Speed HD Manual  
 Transmission

AR = use ase required - = Non illustrated part

Rear Seat, Trim Code [Y5]  
Figure IKJ-670

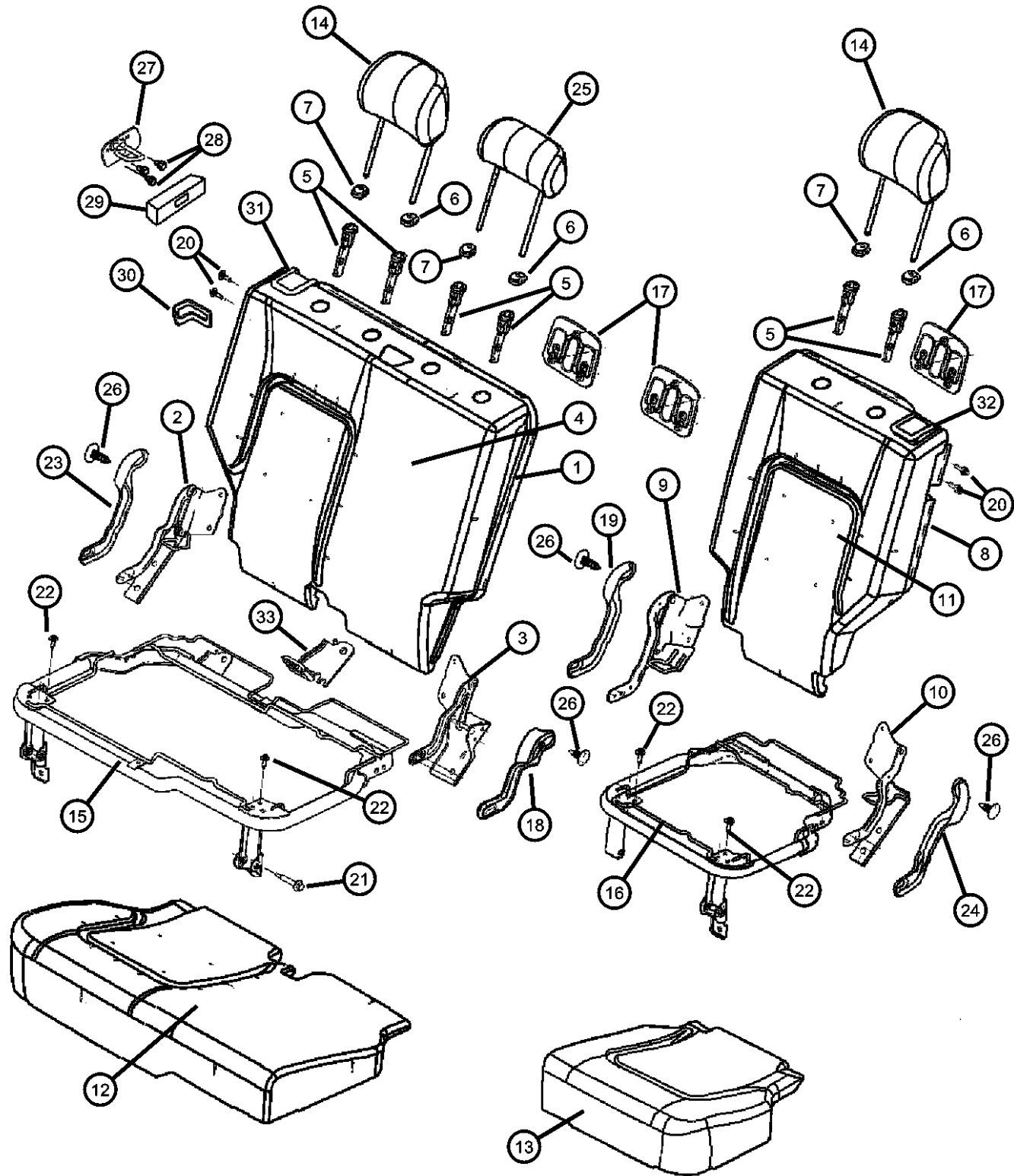


ITEM	PART NUMBER	QTY	LINE	SERIES	BODY	ENGINE	TRANS	TRIM	DESCRIPTION
14	1BC831J3AA	1	J, T, U		74			*Y5 [J3]	HEADREST, Rear
	1BC851D5AA	2	J, T, U		74			*Y5 [D5]	
	1BC851J3AA	2	J, T, U		74			*Y5 [J3]	
15	05072112AA	1	J, T, U		74			*Y5	PANEL, Seat Cushion Base, 65%
16	05072113AA	1	J, T, U		74			*Y5	PANEL, Seat Cushion Base, 35%
17									BEZEL, TETHER
	0WB441D5AA	1	J, T, U		74			*Y5 [D5]	
	0WB441J3AA	1	J, T, U		74			*Y5 [J3]	
18									COVER, Hinge
	0UZ451D5AA	1	J, T, U		74			*Y5 [D5]	Right Inboard
	0UZ451J3AA	1	J, T, U		74			*Y5 [J3]	Right Inboard
19									COVER, Hinge
	0UZ461J3AA	1	J, T, U		74			*Y5 [J3]	Left Inboard
	0UZ461D5AA	1	J, T, U		74			*Y5 [D5]	Left Inboard
20	05072520AA	2	J, T, U		74			*Y5	BOLT, Pivot
21	05072519AA	1	T, U, J		74			*Y5	BOLT, Seat
22	04761014	1	J, T					*N5	BOLT, Cushion To Adjuster
23									COVER, Hinge
	0UZ441D5AA	1	J, T, U		74			*Y5 [D5]	Right Outboard
	0UZ441J3AA	1	J, T, U		74			*Y5 [J3]	Right Outboard
24									COVER, Hinge
	0UZ471J3AA	1	J, T, U		74			*Y5 [J3]	Left Outboard
	0UZ471D5AA	1	J, T, U		74			*Y5 [D5]	Left Outboard
25									HEADREST, Rear
	1BC811D5AA	1	J, T, U		74			*Y5 [D5]	
	1BC811J3AA	1	J, T, U		74			*Y5 [J3]	
26									PIN, Push
	0WA511D5AA	2	J, T, U		74			*Y5 [D5]	
	0WA511J3AA	2	J, T, U		74			*Y5 [J3]	

LIBERTY (KJ)  
 SERIES LINE BODY ENGINE TRANSMISSION  
 H = HIGHLINE T = JEEP - 2WD 74 = SPORT UTILITY 4-DR EKG = 3.7L V6 Engine DG6 = 4-Spd. Automatic 42RLE  
 M = MEDIUM J = JEEP - 4WD ENR = 2.8L 4 Cyl Turbo Diesel Engine Transmission  
 P = PREMIUM U = JEEP - 4WD (RHD) ENJ = 2.5L 4 Cyl 16V Turbo Diesel Engine DGV = 4-Spd. Automatic VLP  
 Diesel Engine Transmission  
 ED1 = 2.4L 4 Cyl DOHC 16v SMPI Engine Transmission  
 DEH = 6-Speed Manual NSG370 Transmission  
 DDD = 5-Speed HD Manual Transmission  
 DDK = 5-Speed HD Manual Transmission

AR = use ase required - = Non illustrated part

Rear Seat, Trim Code [Y5]  
Figure IKJ-670



ITEM	PART NUMBER	QTY	LINE	SERIES	BODY	ENGINE	TRANS	TRIM	DESCRIPTION
27	55352816AC	1							STRIKER, Seat Back Latch Right
	55352817AC	1							Left
28	06501648	6							SCREW, Hex Flange Head, M8x1.25x25.00
29	55352839AC	2							BEZEL, Seat Latch
30									BEZEL, Seat Latch
	0WA921D5AA	1	J, T, U		74			*Y5	[D5]
	0WA921J3AA	1	J, T, U		74			*Y5	[J3]
31									CONTROL, SEAT RELEASE, With Cable and Latch
	0XF781D5AB	1	J, T, U		74			*Y5	[D5]
	0XF781J3AB	1	J, T, U		74			*Y5	[J3]
32									CONTROL, SEAT RELEASE, With Latch
	0XF791D5AB	1	J, T, U		74			*Y5	[D5]
	0XF791J3AB	1	J, T, U		74			*Y5	[J3]
33	05134366AA	1	J, T, U		74			*Y5	BRACKET, Child Tether Anchor

LIBERTY (KJ)

SERIES LINE  
H = HIGHLINE T = JEEP - 2WD  
M = MEDIUM J = JEEP - 4WD  
P = PREMIUM U = JEEP - 4WD (RHD)

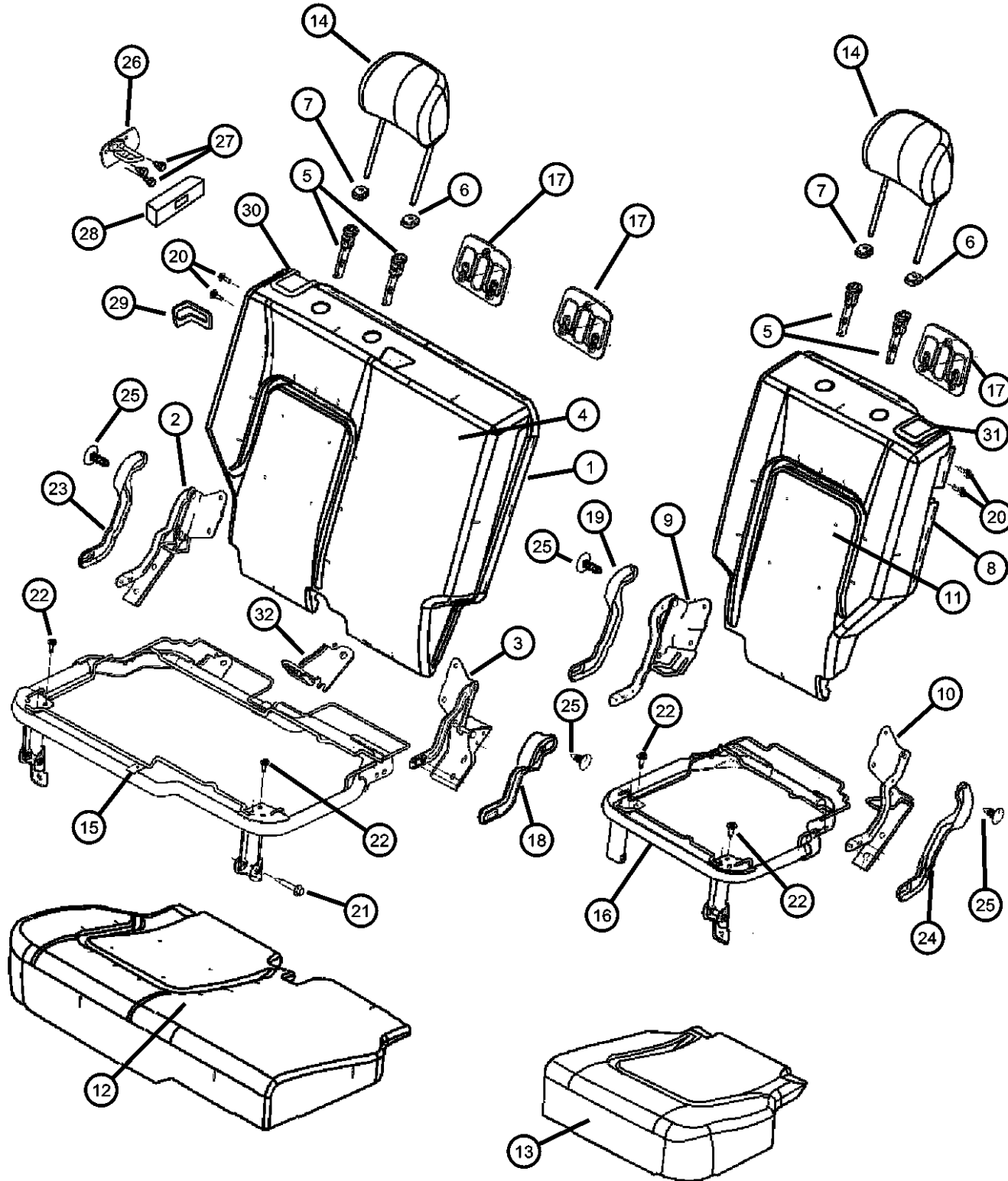
BODY  
74 = SPORT UTILITY 4-DR

ENGINE TRANSMISSION  
EKG = 3.7L V6 Engine DG6 = 4-Spd. Automatic 42RLE  
ENR = 2.8L 4 Cyl Turbo Diesel Transmission  
Engine DGV = 4-Spd. Automatic VLP  
ENJ = 2.5L 4 Cyl 16V Turbo Transmission  
Diesel Engine DGQ = 5-Spd Automatic 5-45RFE  
ED1 = 2.4L 4 Cyl DOHC 16v Transmission  
SMPI Engine DEH = 6-Speed Manual NSG370  
Transmission  
DDD = 5-Speed HD Manual  
Transmission  
DDK = 5-Speed HD Manual  
Transmission

AR = use ase required - = Non illustrated part

2006 KJ

Rear Seat, Trim Code [A5]  
Figure IKJ-680



ITEM	PART NUMBER	QTY	LINE	SERIES	BODY	ENGINE	TRANS	TRIM	DESCRIPTION
1	1BC741D5AA	1	J, T		74			*A5	SEAT BACK, Rear, 65% [D5]
	1BC741J3AA	1	J, T		74			*A5	[J3]
2	05071702AA	1	J, T		74			*A5	BRACKET AND HINGE, Rear Seat Back, 65%, Right Outboard
3	05071703AA	1	J, T		74			*A5	BRACKET AND HINGE, Rear Seat Back, 65%, Right Inboard
4	1EQ671D5AA	1	J, T		74			*A5	COVER, Rear Seat Back, 65% [D5]
	1EQ671J3AA	1	J, T		74			*A5	[J3]
5	05066017AA	2	J, T		74			*A5	SLEEVE, Headrest
6	0WA461D5AA	1	J, T		74			*A5	CAP, Headrest Adjuster, With Button [D5]
	0WA461J3AA	1	J, T		74			*A5	[J3]
7	0WA311D5AA	1	J, T		74			*A5	CAP, Headrest Adjuster, Without Button [D5]
	0WA311J3AA	1	J, T		74			*A5	[J3]
8	1BC751D5AA	1	J, T		74			*A5	SEAT BACK, Rear, 35% [D5]
	1BC751J3AA	1	J, T		74			*A5	[J3]
9	05071704AA	1	J, T		74			*A5	BRACKET AND HINGE, Rear Seat Back, 35%, Left Inboard
10	05071705AA	1	J, T		74			*A5	BRACKET AND HINGE, Rear Seat Back, 35%, Left Outboard
11	1BC791D5AA	1	J, T		74			*A5	COVER, Rear Seat Back, 35% [D5]
	1BC791J3AA	1	J, T		74			*A5	[J3]
12	1BC821D5AA	1	J, T		74			*A5	COVER AND PAD, Cushion, 65% [D5]
	1BC821J3AA	1	J, T		74			*A5	[J3]
13	1BC831J3AA	1	J, T		74			*A5	COVER AND PAD, Cushion, 35% [J3]

LIBERTY (KJ)

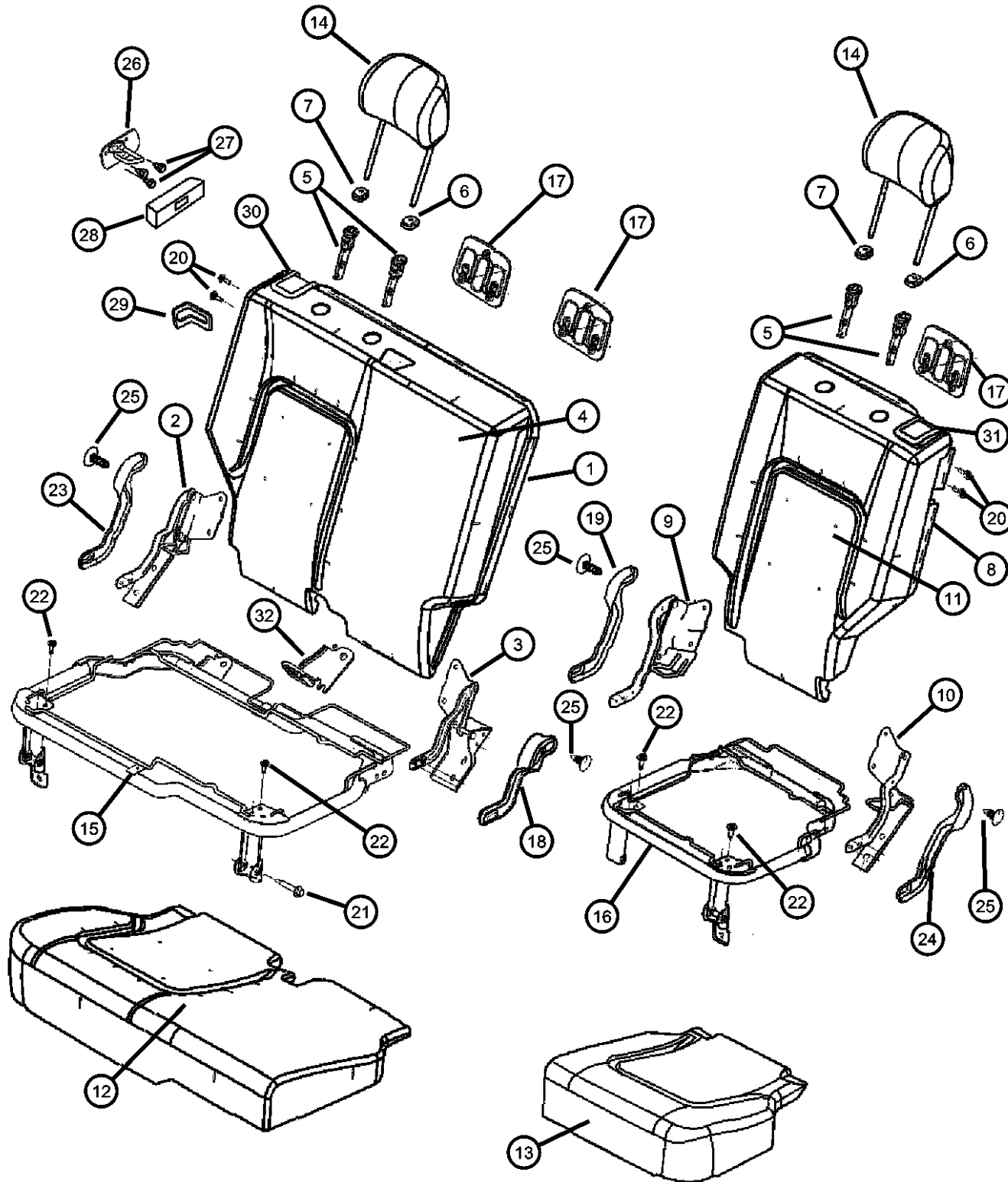
SERIES LINE  
H = HIGHLINE T = JEEP - 2WD  
M = MEDIUM J = JEEP - 4WD  
P = PREMIUM U = JEEP - 4WD (RHD)

BODY  
74 = SPORT UTILITY 4-DR

ENGINE TRANSMISSION  
EKG = 3.7L V6 Engine DG6 = 4-Spd. Automatic 42RLE  
ENR = 2.8L 4 Cyl Turbo Diesel Transmission  
Engine DGV = 4-Spd. Automatic VLP  
ENJ = 2.5L 4 Cyl 16V Turbo Transmission  
Diesel Engine DGQ = 5-Spd Automatic 5-45RFE  
ED1 = 2.4L 4 Cyl DOHC 16v Transmission  
SMPI Engine DEH = 6-Speed Manual NSG370  
Transmission  
DDD = 5-Speed HD Manual  
Transmission  
DDK = 5-Speed HD Manual  
Transmission

AR = use ase required - = Non illustrated part

Rear Seat, Trim Code [A5]  
Figure IKJ-680



ITEM	PART NUMBER	QTY	LINE	SERIES	BODY	ENGINE	TRANS	TRIM	DESCRIPTION
14	1BC831D5AA	1	J, T		74			*A5 [D5]	HEADREST, Rear
	1BC851D5AA	2	J, T		74			*A5 [D5]	
	1BC851J3AA	2	J, T		74			*A5 [J3]	
15	05072112AA	1	J, T		74			*A5	PANEL, Seat Cushion Base, 65%
16	05072113AA	1	J, T		74			*A5	PANEL, Seat Cushion Base, 35%
17									BEZEL, TETHER
	0WB441D5AA	2	J, T		74			*A5 [D5]	
	0WB441J3AA	1	J, T		74			*A5 [J3]	
18									COVER, Hinge, Right Inboard
	0UZ451D5AA	1	J, T		74			*A5 [D5]	
	0UZ451J3AA	1	J, T		74			*A5 [J3]	
19									COVER, Hinge, Left Inboard
	0UZ461D5AA	1	J, T		74			*A5 [D5]	
	0UZ461J3AA	1	J, T		74			*A5 [J3]	
20	05072520AA	2	J, T		74			*A5	BOLT, Pivot
21	05072519AA	1	J, T		74			*A5	BOLT, Seat
22	04761014	8	J, T					*N5	BOLT, Cushion To Adjuster
23									COVER, Hinge, Right Outboard
	0UZ441D5AA	1	J, T		74			*A5 [D5]	
	0UZ441J3AA	1	J, T		74			*A5 [J3]	
24									COVER, Hinge, Left Outboard
	0UZ471D5AA	1	J, T		74			*A5 [D5]	
	0UZ471J3AA	1	J, T		74			*A5 [J3]	
25									PIN, Push
	0WA511D5AA	2	J, T		74			*A5 [D5]	
	0WA511J3AA	2	J, T		74			*A5 [J3]	
26									STRIKER, Seat Back Latch
	55352816AC	1							Right
	55352817AC	1							Left

LIBERTY (KJ)

SERIES LINE  
H = HIGHLINE T = JEEP - 2WD  
M = MEDIUM J = JEEP - 4WD  
P = PREMIUM U = JEEP - 4WD (RHD)

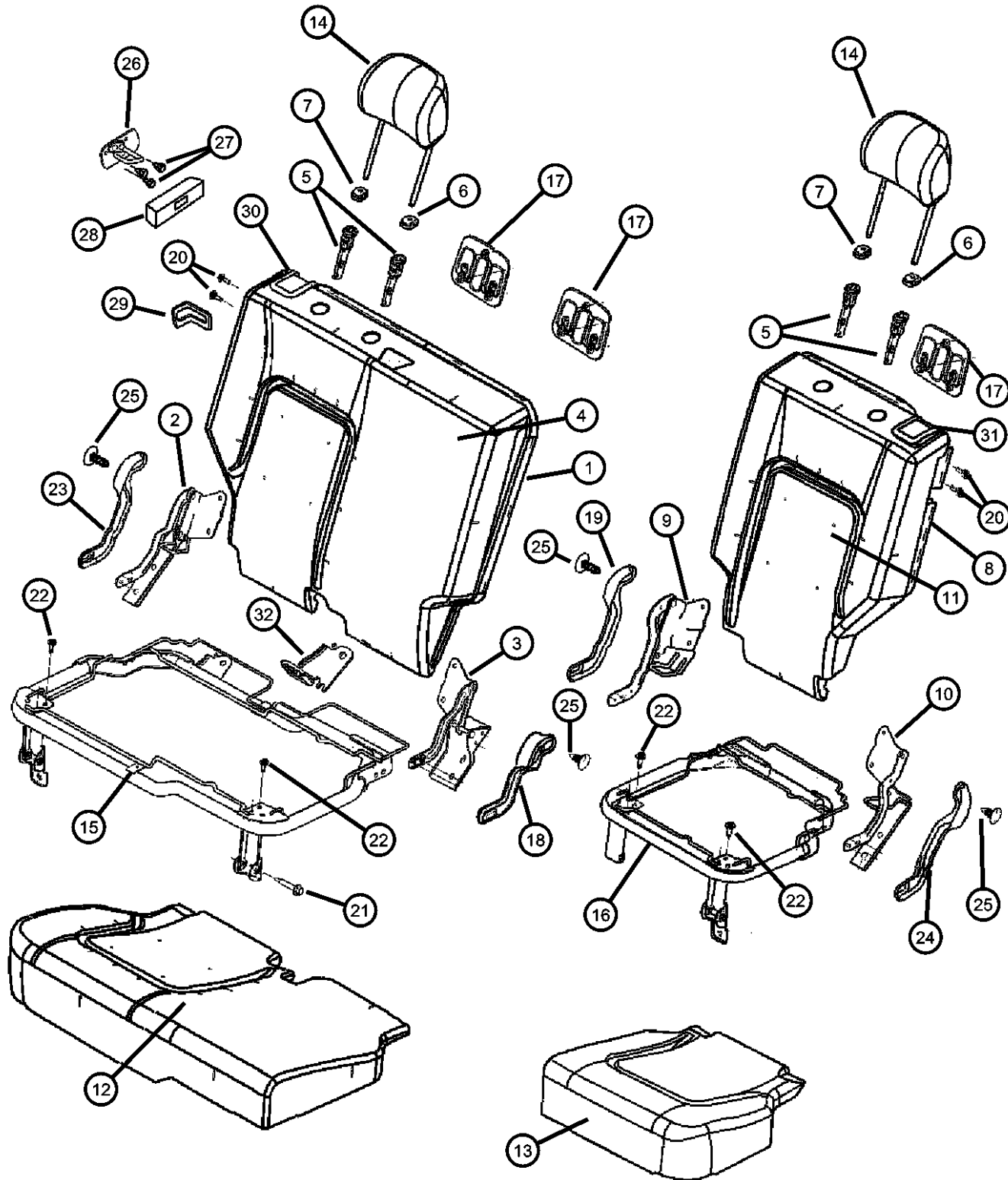
BODY  
74 = SPORT UTILITY 4-DR

ENGINE TRANSMISSION  
EKG = 3.7L V6 Engine DG6 = 4-Spd. Automatic 42RLE  
ENR = 2.8L 4 Cyl Turbo Diesel Transmission  
Engine DGV = 4-Spd. Automatic VLP  
ENJ = 2.5L 4 Cyl 16V Turbo Transmission  
Diesel Engine DGQ = 5-Spd Automatic 5-45RFE  
ED1 = 2.4L 4 Cyl DOHC 16v Transmission  
SMPI Engine DEH = 6-Speed Manual NSG370  
Transmission  
DDD = 5-Speed HD Manual  
Transmission  
DDK = 5-Speed HD Manual  
Transmission

AR = use ase required - = Non illustrated part

2006 KJ

Rear Seat, Trim Code [A5]  
Figure IKJ-680



ITEM	PART NUMBER	QTY	LINE	SERIES	BODY	ENGINE	TRANS	TRIM	DESCRIPTION
27	06501648	6							SCREW, Hex Flange Head, M8x1.25x25.00
28	55352839AC	2							BEZEL, Seat Latch
29									BEZEL, Seat Latch
	0WA921D5AA	1	J, T		74			*A5	[D5]
	0WA921J3AA	1	J, T		74			*A5	[J3]
30									CONTROL, SEAT RELEASE, With Cable and Latch
	0XF781D5AB	1	J, T		74			*A5	[D5]
	0XF781J3AB	1	J, T		74			*A5	[J3]
31									CONTROL, SEAT RELEASE, With Latch
	0XF791D5AB	1	J, T		74			*A5	[D5]
	0XF791J3AB	1	J, T		74			*A5	[J3]
32	05134366AA	1	J, T		74			*A5	BRACKET, Child Tether Anchor

LIBERTY (KJ)

SERIES LINE  
H = HIGHLINE T = JEEP - 2WD  
M = MEDIUM J = JEEP - 4WD  
P = PREMIUM U = JEEP - 4WD (RHD)

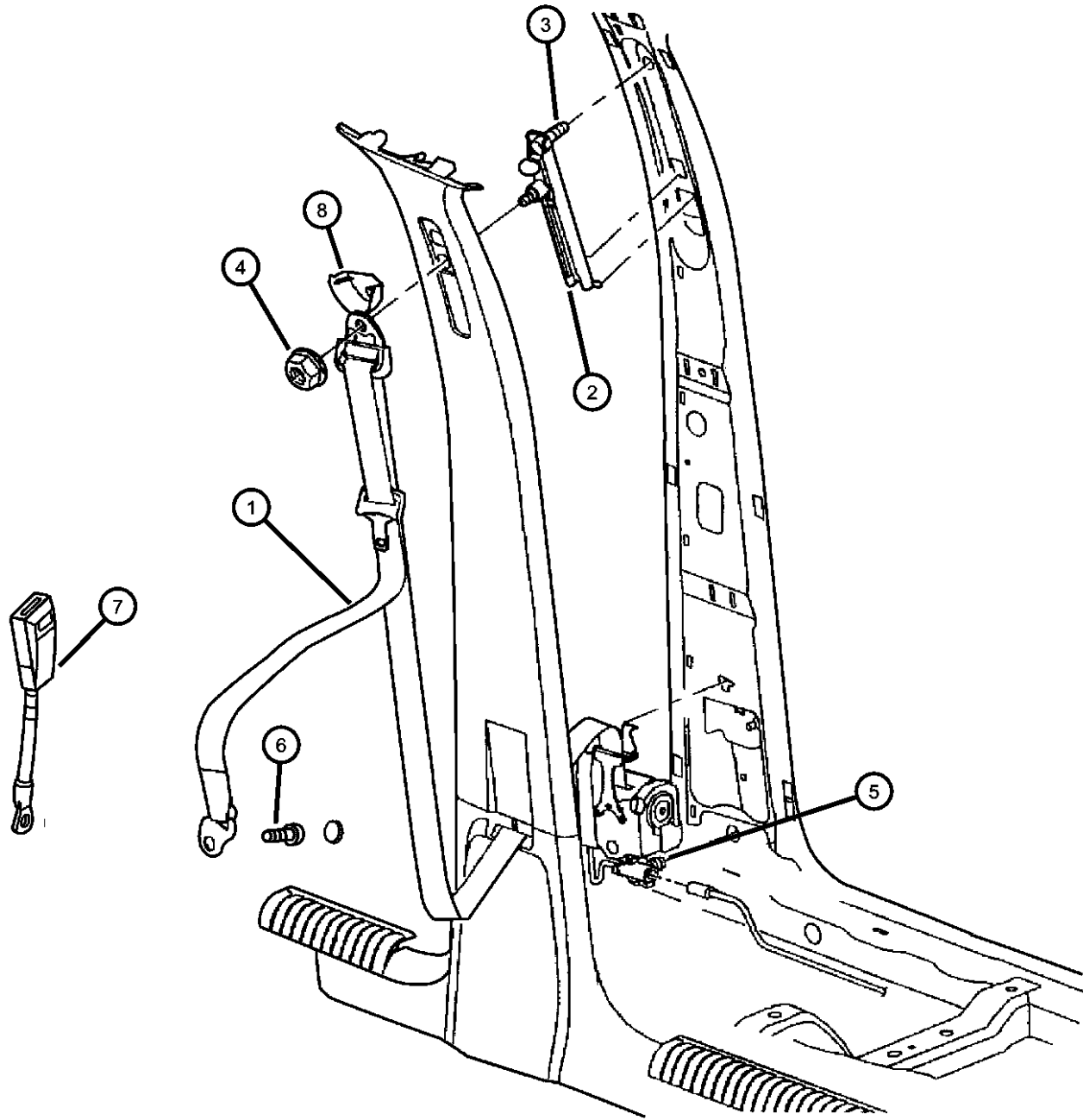
BODY  
74 = SPORT UTILITY 4-DR

ENGINE TRANSMISSION  
EKG = 3.7L V6 Engine DG6 = 4-Spd. Automatic 42RLE  
ENR = 2.8L 4 Cyl Turbo Diesel Transmission  
Engine DGV = 4-Spd. Automatic VLP  
ENJ = 2.5L 4 Cyl 16V Turbo Transmission  
Diesel Engine DGQ = 5-Spd Automatic 5-45RFE  
ED1 = 2.4L 4 Cyl DOHC 16v Transmission  
SMPI Engine DEH = 6-Speed Manual NSG370  
Transmission  
DDD = 5-Speed HD Manual  
Transmission  
DDK = 5-Speed HD Manual  
Transmission

AR = use ase required - = Non illustrated part

2006 KJ

**Seat Belts, Front  
Figure IKJ-710**

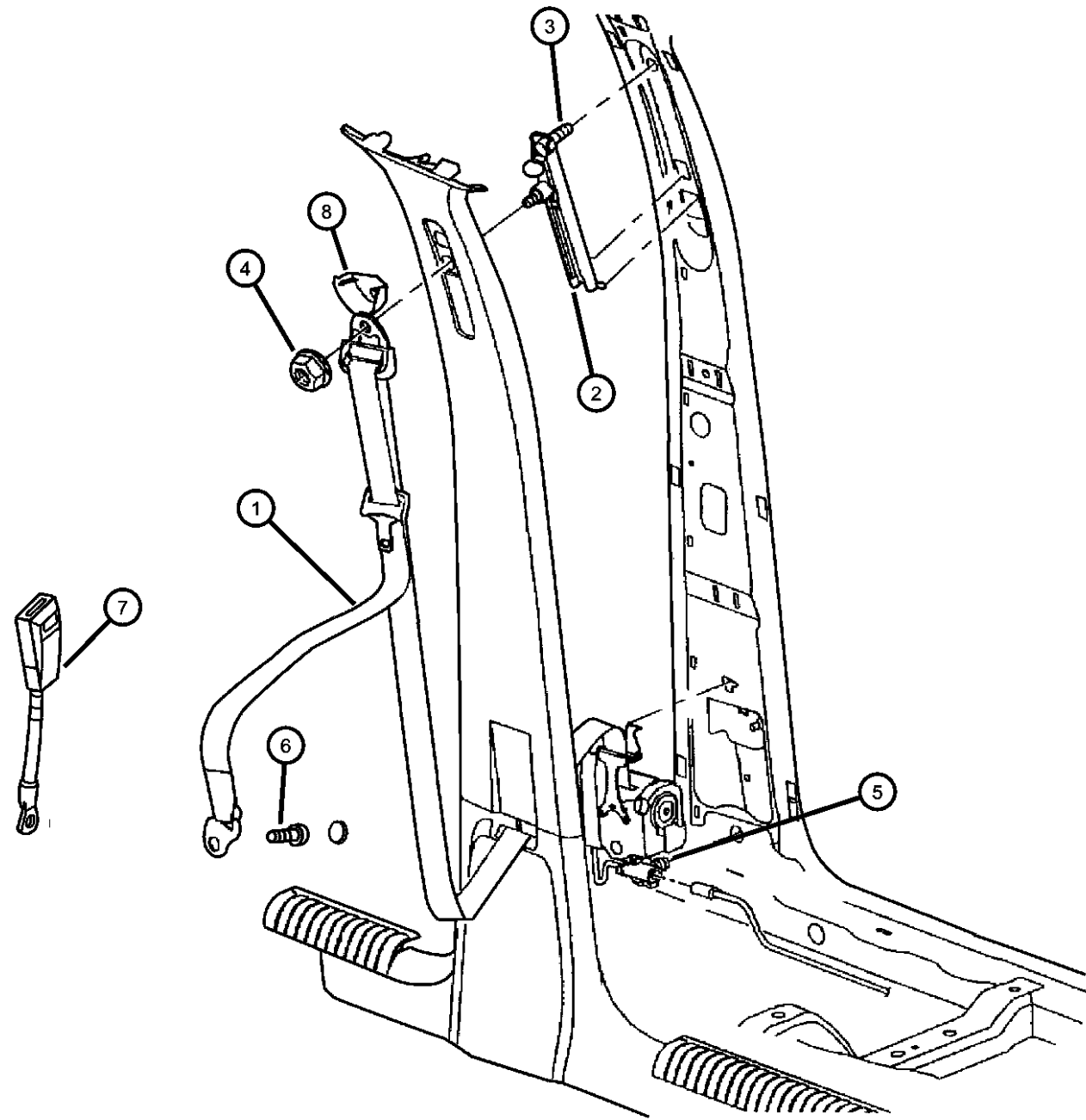


ITEM	PART NUMBER	QTY	LINE	SERIES	BODY	ENGINE	TRANS	TRIM	DESCRIPTION
1									SEAT BELT, Front Outer
	5GZ061X9AO	1	J, U					*O0	Right, Export
	5GZ071X9AK	1	J, U					*O0	Left, Export
	5HG331D5AN	1	J, T					*O0	[DB, D5], Left
	5HG341J3AJ	1	J, T					*O0	[J1],Mexico, Right
	5JL401D5AI	1	J, T					*O0	[DB, D5], Right
	5JL401J3AI	1	J, T					*O0	[J1], Right
	5HG331J3AN	1	J, T					*O0	[J3], Left
	5HG341D5AJ	1	J, T					*O0	[DB, D5],Mexico, Right
2	55315033AD	2							ADJUSTER, Seat Belt Turning Loop
3	06506475AA	2							BOLT, Seat Belt
4	06506002AA	2							NUT, M10x1.5
5	06505867AA	2							SCREW, SEAT BELT
6									BOLT, Seat Belt
	06507968AA	1	J, U					*O0	
		1	J, T					*O0	
7									SEAT BELT, Front Inner
	5JW101J3AA	1	T, J					*DL	[J1], Mexico, Passenger
	5JW101D5AB	1	J, T					*N5	[D5], Passenger
		1	J, T					*B5	[D5], Passenger
		1	J, T					*L7	[D5], Passenger
		1	J, T					*DL	[DB], Mexico, Passenger
		1	J, T					*DL	[DB], Domestic, Passenger
	5JW101J3AB	1	J, T					*N5	[J3], Passenger
		1	J, T					*B5	[J3], Passenger
		1	J, T					*L7	[J3], Passenger
		1	J, T					*DL	[J1], Domestic, Passenger
	5JW101D5AC	1	J, T		74			*A5	[D5], Mexico, Passenger
		1	J, T		74			*A5	[D5], Passenger
	5JW101J3AC	1	J, T		74			*A5	[J3], Passenger

<b>LIBERTY (KJ)</b>				
SERIES	LINE	BODY	ENGINE	TRANSMISSION
H = HIGHLINE	T = JEEP - 2WD	74 = SPORT UTILITY 4-DR	EKG = 3.7L V6 Engine	DG6 = 4-Spd. Automatic 42RLE
M = MEDIUM	J = JEEP - 4WD		ENR = 2.8L 4 Cyl Turbo Diesel Engine	Transmission
P = PREMIUM	U = JEEP - 4WD (RHD)		ENJ = 2.5L 4 Cyl 16V Turbo Diesel Engine	DGV = 4-Spd. Automatic VLP
			ED1 = 2.4L 4 Cyl DOHC 16v SMPI Engine	Transmission
				DGQ = 5-Spd Automatic 5-45RFE
				Transmission
				DEH = 6-Speed Manual NSG370
				Transmission
				DDD = 5-Speed HD Manual
				Transmission
				DDK = 5-Speed HD Manual
				Transmission

AR = use ase required - = Non illustrated part

Seat Belts, Front  
Figure IKJ-710



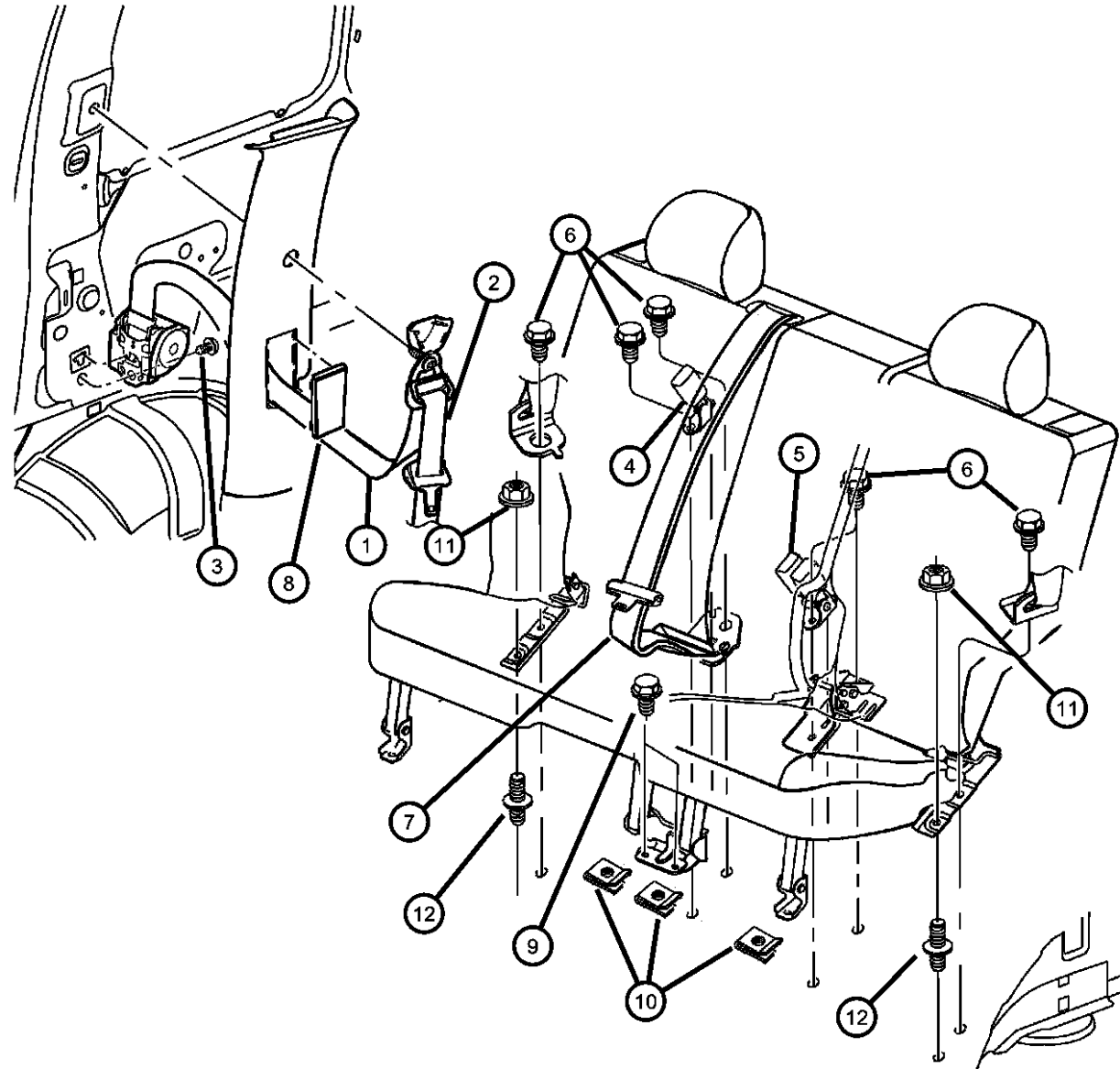
ITEM	PART NUMBER	QTY	LINE	SERIES	BODY	ENGINE	TRANS	TRIM	DESCRIPTION
		1	J, T		74			*A5	[J3], Mexico, Passenger
	5JW101X9AC	1	J, T, U		74			*Y5	[J3], Passenger
		1	J, T, U		74			*Y5	[D5], Passenger
	5JW771D5AB	1	J, T					*B5	[D5], Driver
		2	J, T					*L7	[D5], Driver
		1	J, T					*N5	[D5], Driver
		1	J, T					*DL	[DB], Domestic, Driver
		1	J, T					*DL	[DB], Mexico, Driver
		2	J, T		74			*A5	[D5], Mexico, Driver
		2	J, T		74			*A5	[D5], Driver
	5JW771J3AB	1	J, T					*B5	[J3], Driver
		1	J, T					*DL	[J1], Mexico, Driver
		1	J, T					*DL	[J1], Domestic, Driver
		1	J, T					*N5	[J3], Driver
		1	J, T					*L7	[J3], Driver
		2	J, T		74			*A5	[J3], Mexico, Driver
		2	J, T		74			*A5	[J3], Driver
	5JW771X9AB	2	J, U					*J7	[D5, J3], Export, Driver and Passenger
		2	J, U					*DL	[DB, J1], Export, Driver and Passenger
		1	J, U					*B7	[J3], Driver and Passenger
		1	J, U					*L7	D5, J3], Driver and Passenger
		2	J, T, U		74			*Y5	[D5], Driver
		2	J, T, U		74			*Y5	[J3], Driver
8	0ZL811X9AA	1	J, U					*O0	COVER, Seat Belt Turning Loop
-9	05086227AA	1	J, U					*O0	EXTENDER, Seat Belt
		1	J, T					*O0	

<b>LIBERTY (KJ)</b>		BODY	ENGINE	TRANSMISSION
SERIES	LINE	74 = SPORT UTILITY 4-DR	EKG = 3.7L V6 Engine	DG6 = 4-Spd. Automatic 42RLE
H = HIGHLINE	T = JEEP - 2WD		ENR = 2.8L 4 Cyl Turbo Diesel Engine	Transmission
M = MEDIUM	J = JEEP - 4WD		ENJ = 2.5L 4 Cyl 16V Turbo Diesel Engine	DGV = 4-Spd. Automatic VLP
P = PREMIUM	U = JEEP - 4WD (RHD)		ED1 = 2.4L 4 Cyl DOHC 16v SMPI Engine	Transmission
				DGQ = 5-Spd Automatic 5-45RFE
				Transmission
				DEH = 6-Speed Manual NSG370
				Transmission
				DDD = 5-Speed HD Manual
				Transmission
				DDK = 5-Speed HD Manual
				Transmission

AR = use ase required - = Non illustrated part



Seat Belts, Rear  
Figure IKJ-720



ITEM	PART NUMBER	QTY	LINE	SERIES	BODY	ENGINE	TRANS	TRIM	DESCRIPTION
1									SEAT BELT, Rear Outer
	5HG361D5AN	1	J, T					*O0	[D5], Right
	5GE521X9AM	1	J, U					*O0	, Right, Export
	5GE531X9AM	1	J, U					*O0	Left, Export
	5HG361J3AN	1	J, T					*O0	[J1], Right
	5HG371D5AN	1	J, T					*O0	[D5], Left
	5HG371J3AN	1	J, T					*O0	[J1], Left
2									BOLT, Seat Belt
	06506911AA	1	J, T					*O0	
		1	J, U					*O0	
3	06505867AA	2							SCREW, SEAT BELT
4									SEAT BELT, Buckle Half
	5GU581D5AE	1	J, T					*O0	[DB]
	5GU581J3AE	1	J, T					*O0	[J1]
	5GU581J3AF	1	J, T, U		74			*O0	[J3]
	5GU581X9AF	1	J, T, U		74			*O0	Export
5									SEAT BELT, Two Buckles
	5GE491D5AF	1	J, T, U		74			*O0	[D5]
	5GE491J3AF	1	J, T, U		74			*O0	[J1]
		1	J, T, U		74			*O0	[J3]
	5GE491X9AF	1	J, T, U		74			*O0	Export
6	06506791AA	6							SCREW, Seat
7									SEAT BELT, RR CNTR SHOULDER
	5GE481D1AE	1	J, U					*DL	[J1], Export
	5GE481D5AE	1	J, U					*B7	[D5],
		1	J, U					*L7	[D5], Export
		1	J, T, U		74			*Y5	[D5]
	5GE481J3AE	1	J, U					*J7	[J3]
		1	J, T, U		74			*Y5	[J3]
		1	J, U					*L7	[J3], Export

LIBERTY (KJ)

SERIES      LINE  
H = HIGHLINE    T = JEEP - 2WD  
M = MEDIUM     J = JEEP - 4WD  
P = PREMIUM    U = JEEP - 4WD (RHD)

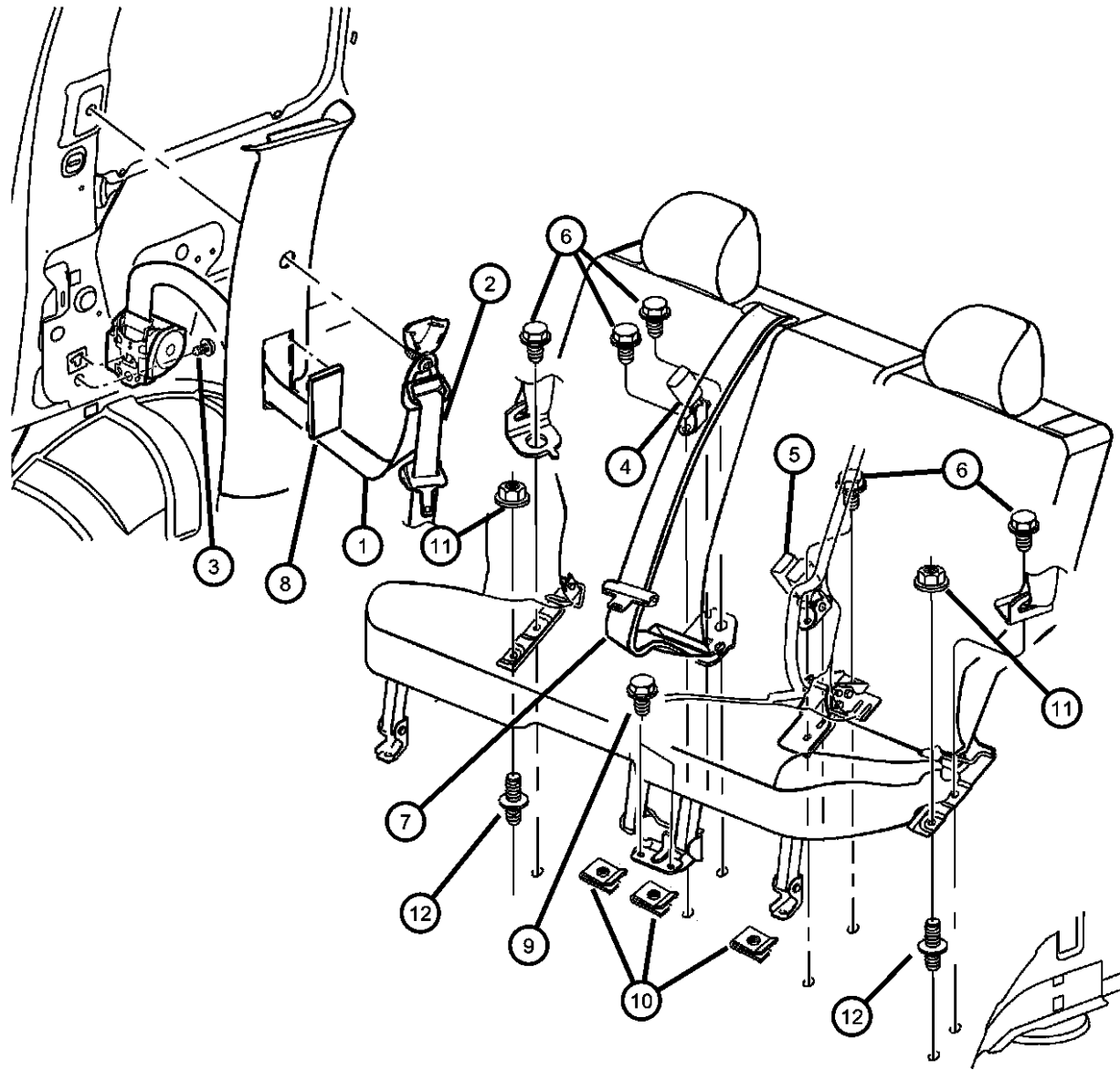
BODY  
74 = SPORT UTILITY 4-DR

ENGINE      TRANSMISSION  
EKG = 3.7L V6 Engine      DG6 = 4-Spd. Automatic 42RLE  
ENR = 2.8L 4 Cyl Turbo Diesel Engine      DGV = 4-Spd. Automatic VLP  
ENJ = 2.5L 4 Cyl 16V Turbo Diesel Engine      DGQ = 5-Spd Automatic 5-45RFE  
ED1 = 2.4L 4 Cyl DOHC 16v SMPI Engine      DEH = 6-Speed Manual NSG370  
Transmission  
DDD = 5-Speed HD Manual Transmission  
DDK = 5-Speed HD Manual Transmission

AR = use ase required - = Non illustrated part

2006 KJ

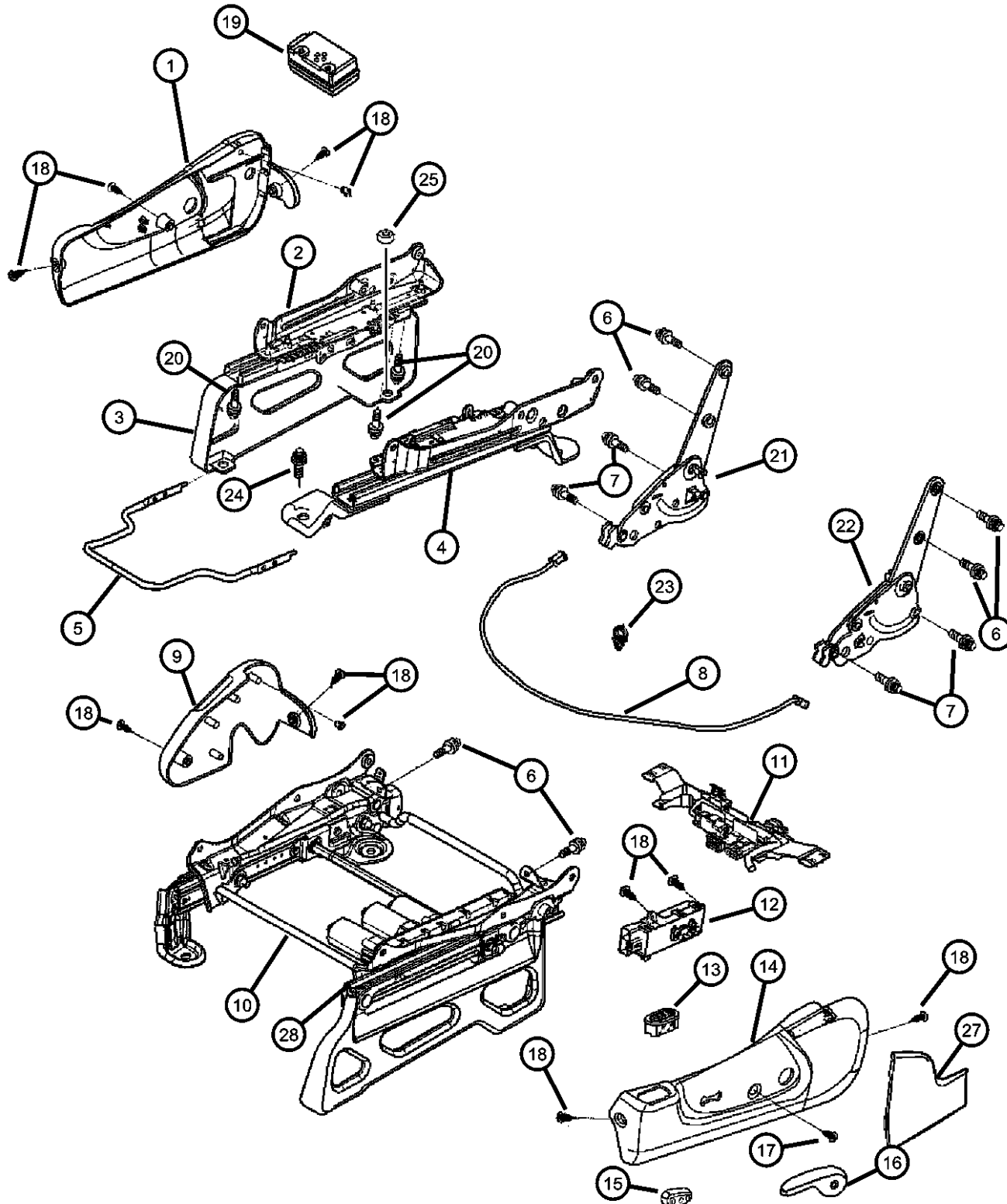
### Seat Belts, Rear Figure IKJ-720



ITEM	PART NUMBER	QTY	LINE	SERIES	BODY	ENGINE	TRANS	TRIM	DESCRIPTION
	5GE481D5AF	1	J, U					*J7	[D5]
		1	J					*J7	[D5]
	5GE481DBAF	1	J, U					*DL	[DB], Export
	5GE481J3AF	1	J, U					*B7	[J3]
	5HK441D5AD	1	J, T					*N5	[D5]
	5HK441D1AD	1	J, T					*DL	[J1]
		1	J, T					*L7	[D5]
		1	J, T					*B5	[D5]
		1	J, T		74			*A5	[D5]
	5HK441DBAD	1	J, T					*DL	[DB]
	5HK441J3AD	1	J, T					*N5	[J3]
		1	J, T					*B5	[J3]
		1	J, T					*L7	[J3]
		1	J, T		74			*A5	[J3]
8									COVER, C Pillar
	0WR16BD5AA	1						*O0	[DB,D5], Right
	0WR16ZJ3AA	1						*O0	[J1,J3], Right
	0WR17BD5AA	1						*O0	[DB,D5], Left
	0WR17ZJ3AA	1						*O0	[J1,J3], Left
9	06101232	4							BOLT, Hex Flange Head, M8x1.25x25
10	06101283	4							U-NUT, M8x1.25
11	06507170AA	2							BOLT, Seat
12	06507170AA	2							STUD, M12x1.75x81.50, (NOT SERVICED)
-13									EXTENDER, Seat Belt
	05086227AA	1	J, U					*O0	
		1	J, T					*O0	

**LIBERTY (KJ)**  
 SERIES LINE BODY ENGINE TRANSMISSION  
 H = HIGHLINE T = JEEP - 2WD 74 = SPORT UTILITY 4-DR EKG = 3.7L V6 Engine DG6 = 4-Spd. Automatic 42RLE  
 M = MEDIUM J = JEEP - 4WD ENR = 2.8L 4 Cyl Turbo Diesel Engine DGJ = 4-Spd. Automatic VLP  
 P = PREMIUM U = JEEP - 4WD (RHD) ENJ = 2.5L 4 Cyl 16V Turbo Diesel Engine DGQ = 5-Spd Automatic 5-45RFE  
 ED1 = 2.4L 4 Cyl DOHC 16v SMPI Engine DEH = 6-Speed Manual NSG370  
 Transmission  
 DDD = 5-Speed HD Manual  
 Transmission  
 DDK = 5-Speed HD Manual  
 Transmission

Recliners, Adjusters, Risers  
Figure IKJ-810

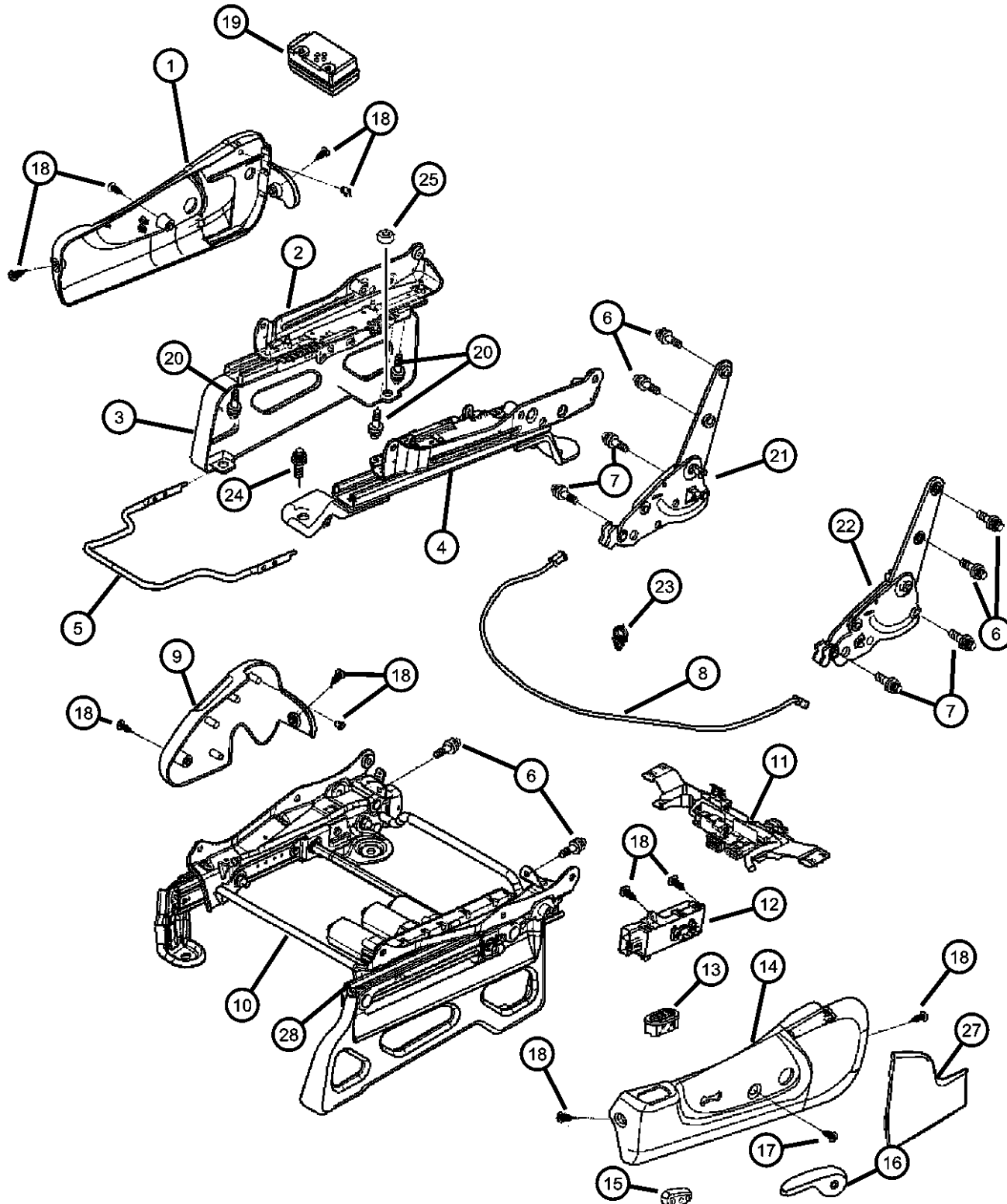


ITEM	PART NUMBER	QTY	LINE	SERIES	BODY	ENGINE	TRANS	TRIM	DESCRIPTION
1									SHIELD, Seat Adjuster, Manual Seat
	0ZH781D5AA	1	J, T					*N5	[D5], Right
		1	J, T					*L7	[D5], Right
		1	J, T					*B5	[D5], Right
		1	J, U					*B7	[D5], Right
		1	U, J					*J7	[D5], Right
		1	J, U					*L7	[D5], Right
		1	J, T		74			*A5	[D5], Right
		1	J, T		74			*Y5	[D5], Right
	0ZH781J3AA	1	J, T					*L7	[J3], Right
		1	J, T					*N5	[J3], Right
		1	J, U					*B7	[J3], Right
		1	J, U					*J7	[J3], Right
		1	J, U					*L7	[J3], Right
		1	J, T					*B5	[J3], Right
		1	J, T		74			*A5	[J3], Right
		1	J, T, U		74			*Y5	[J3], Right
	0ZH791D5AA	1	J, T					*B5	[D5], Left
		1	J, T					*L7	[D5], Left
		1	J, T					*N5	[D5], Left
		1	J, U					*B7	[D5], Left
		1	J, U					*J7	[D5], Left
		1	J, U					*L7	[D5], Left
		1	J, T		74			*A5	[D5], Left
		1	J, T, U		74			*Y5	[D5], Left
	0ZH791J3AA	1	J, T					*N5	[J3], Left
		1	J, T					*B5	[J3], Left
		1	J, T					*L7	[J3], Left
		1	J, U					*B7	[J3], Left
		1	J, U					*J7	[J3], Left

**LIBERTY (KJ)**  
 SERIES LINE BODY ENGINE TRANSMISSION  
 H = HIGHLINE T = JEEP - 2WD 74 = SPORT UTILITY 4-DR EKG = 3.7L V6 Engine DG6 = 4-Spd. Automatic 42RLE  
 M = MEDIUM J = JEEP - 4WD ENR = 2.8L 4 Cyl Turbo Diesel Engine DGV = 4-Spd. Automatic VLP  
 P = PREMIUM U = JEEP - 4WD (RHD) ENJ = 2.5L 4 Cyl 16V Turbo Diesel Engine DGQ = 5-Spd Automatic 5-45RFE  
 ED1 = 2.4L 4 Cyl DOHC 16v SMPI Engine DEH = 6-Speed Manual NSG370 Transmission  
 DDD = 5-Speed HD Manual Transmission  
 DDK = 5-Speed HD Manual Transmission

AR = use ase required - = Non illustrated part

**Recliners, Adjusters, Risers**  
**Figure IKJ-810**



ITEM	PART NUMBER	QTY	LINE	SERIES	BODY	ENGINE	TRANS	TRIM	DESCRIPTION
		1	J, U					*L7	[J3], Left
		1	J, T		74			*A5	[J3], Left
		1	U, J, T		74			*Y5	[J3], Left
2									ADJUSTER, Manual Seat
	05072104AB	1	J, T					*L7	Passenger Outboard Manual
		1	J, T					*N5	Passenger Outboard Manual
		1	J, T					*B5	Passenger Outboard Manual
		1	J, U					*L7	Passenger Outboard Manual
		1	J					*J7	Passenger Outboard Manual
		1	J, U					*B7	Passenger Outboard Manual
	05072107AB	1	J, T		74			*A5	Passenger Outboard Manual
		1	J, T					*N5	Driver Outboard Manual
		1	J, T					*B5	Driver Outboard Manual
		1	J, T					*L7	Driver Outboard Manual
		1	J, T, U		74			*Y5	Passenger Outboard Manual
		1	J, U					*B7	Driver Outboard Manual
		1	J, U					*J7	Driver Outboard Manual
		1	J, U					*L7	Driver Outboard Manual
		1	J, T, U		74			*Y5	Driver Outboard Manual
		1	J, T		74			*A5	Driver Outboard Manual
3									RISER, Seat
	05072756AA	1	J, T					*N5	Passenger
		1	J, T					*B5	Passenger
		1	J, U					*B7	Passenger
		1	J, U					*J7	Passenger
		1	J, T		74			*A5	Passenger
	05072757AA	1	J, T, U		74			*Y5	Passenger
		1	J, T					*B5	Driver
		1	J, T					*N5	Driver
		1	J, U					*B7	Driver

**LIBERTY (KJ)**  
**SERIES**      **LINE**  
H = HIGHLINE    T = JEEP - 2WD  
M = MEDIUM     J = JEEP - 4WD  
P = PREMIUM    U = JEEP - 4WD (RHD)

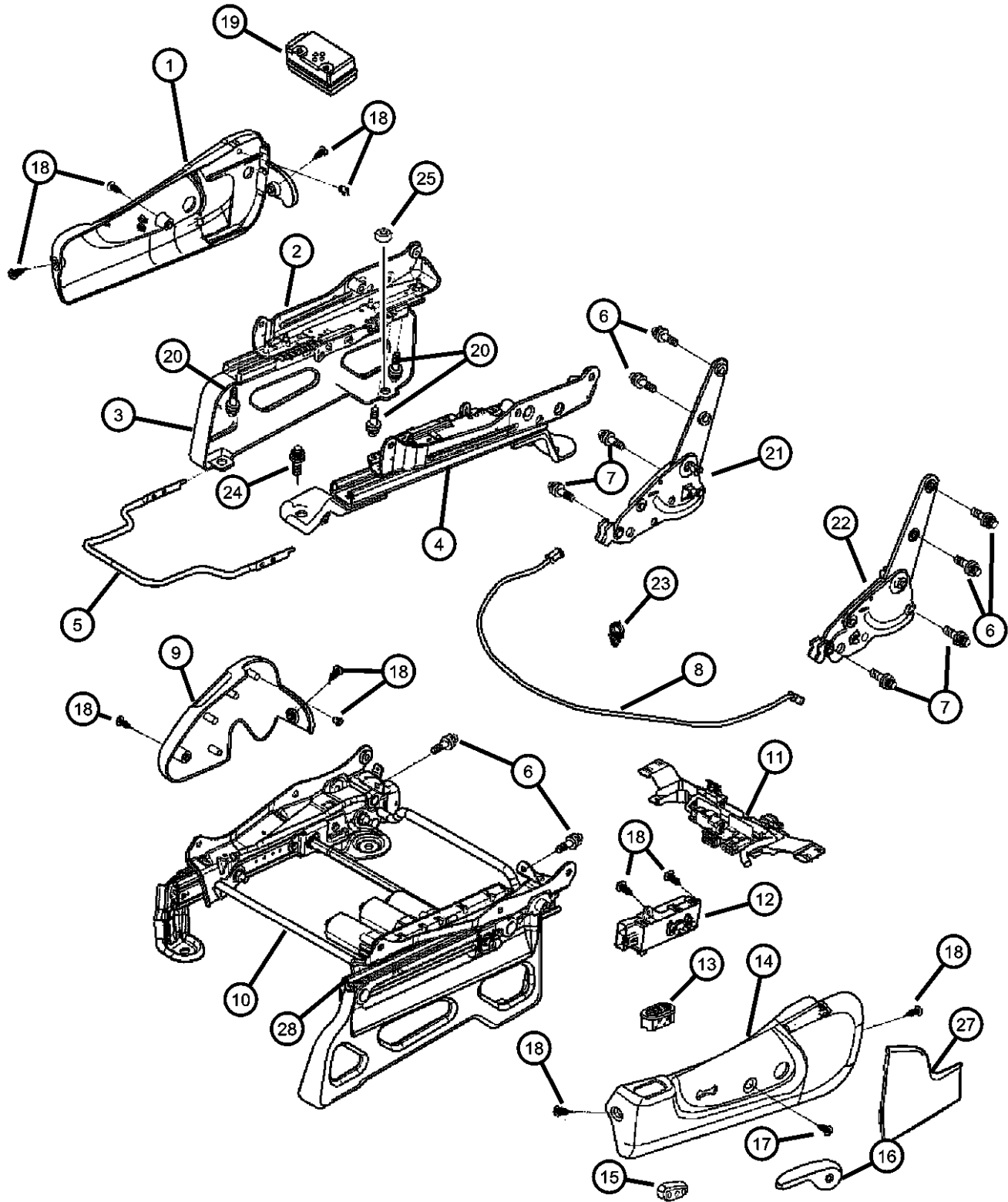
**BODY**  
74 = SPORT UTILITY 4-DR

**ENGINE**  
EKG = 3.7L V6 Engine  
ENR = 2.8L 4 Cyl Turbo Diesel Engine  
ENJ = 2.5L 4 Cyl 16V Turbo Diesel Engine  
ED1 = 2.4L 4 Cyl DOHC 16v SMPI Engine

**TRANSMISSION**  
DG6 = 4-Spd. Automatic 42RLE Transmission  
DGV = 4-Spd. Automatic VLP Transmission  
DGQ = 5-Spd Automatic 5-45RFE Transmission  
DEH = 6-Speed Manual NSG370 Transmission  
DDD = 5-Speed HD Manual Transmission  
DDK = 5-Speed HD Manual Transmission

AR = use ase required - = Non illustrated part

**Recliners, Adjusters, Risers**  
**Figure IKJ-810**



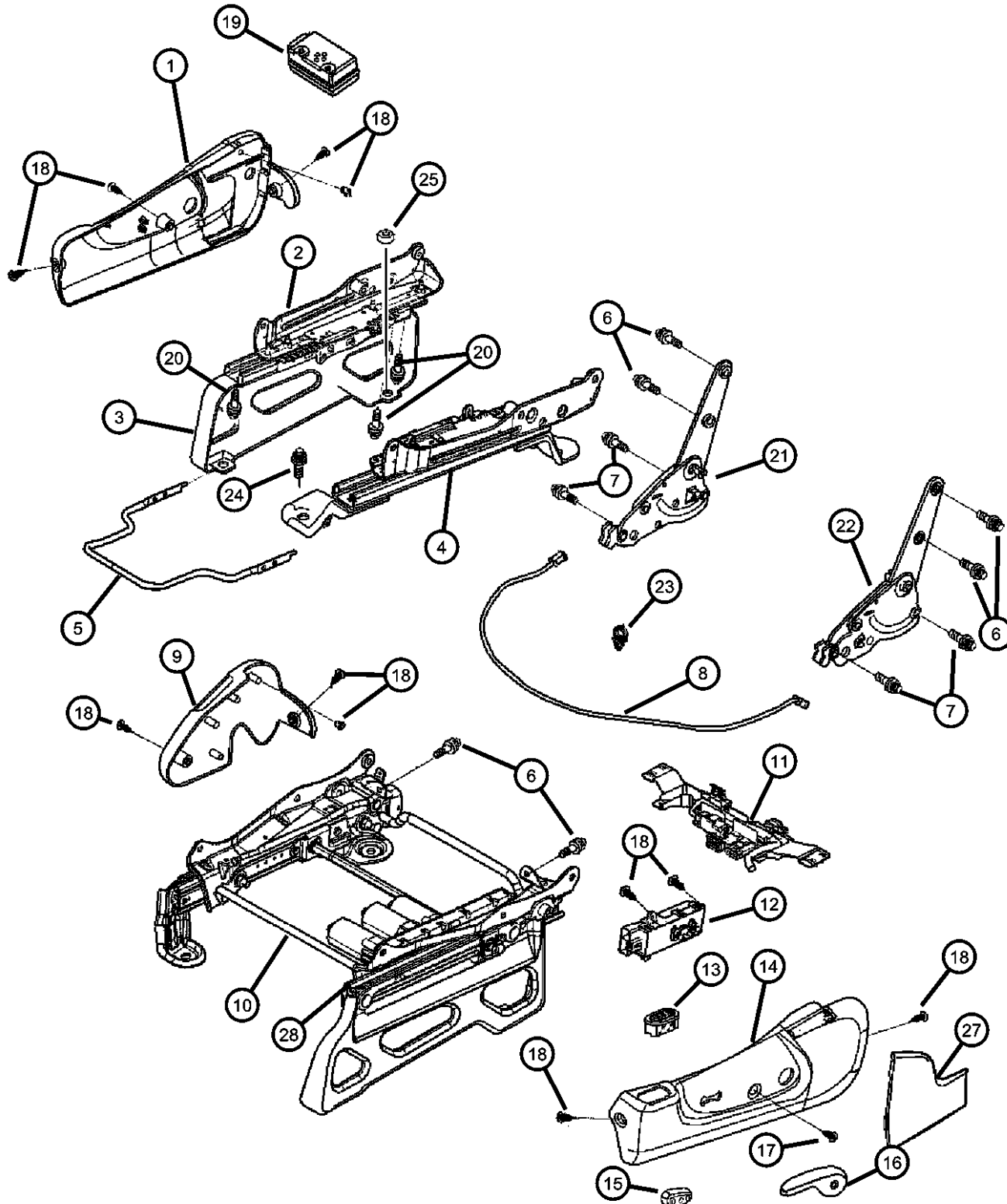
ITEM	PART NUMBER	QTY	LINE	SERIES	BODY	ENGINE	TRANS	TRIM	DESCRIPTION
------	-------------	-----	------	--------	------	--------	-------	------	-------------

		1	J, U					*J7	Driver
		1	J, T		74			*A5	Driver
		1	J, T, U		74			*Y5	Driver
4									ADJUSTER, Manual Seat
	05072105AA	1	J, T					*L7	Passenger Inboard Manual
		1	J, T					*N5	Passenger Inboard Manual
		1	J, T					*B5	Passenger Inboard Manual
		1	J, U					*B7	Passenger Inboard Manual
		1	J					*J7	Passenger Inboard Manual
		1	J, U					*L7	Passenger Inboard Manual
	05072106AA	1	J, T		74			*A5	Passenger Inboard Manual
		1	J, T					*L7	Driver Inboard Manual
		1	J, T					*N5	Driver Inboard Manual
		1	J, U					*B7	Driver Inboard Manual
		1	J, T, U		74			*Y5	Passenger Inboard Manual
		1	J, T					*B5	Driver Inboard Manual
		1	J, U					*L7	Driver Inboard Manual
		1	U					*J7	Driver Inboard Manual
		1	J, T		74			*A5	Driver Inboard Manual
		1	J, T, U		74			*Y5	Driver Inboard Manual
5									HANDLE, Towel Bar
	05072003AA	1	J, T					*B5	
		1	J, T					*L7	
		1	J, T					*N5	
		2	J, U					*B7	
		2	J, U					*J7	
		1	J					*J7	
		2	J, T		74			*A5	
		2	J, T, U		74			*Y5	
6									BOLT, Recliner

<b>LIBERTY (KJ)</b>				
SERIES	LINE	BODY	ENGINE	TRANSMISSION
H = HIGHLINE	T = JEEP - 2WD	74 = SPORT UTILITY 4-DR	EKG = 3.7L V6 Engine	DG6 = 4-Spd. Automatic 42RLE
M = MEDIUM	J = JEEP - 4WD		ENR = 2.8L 4 Cyl Turbo Diesel Engine	Transmission
P = PREMIUM	U = JEEP - 4WD (RHD)		ENJ = 2.5L 4 Cyl 16V Turbo Diesel Engine	DGV = 4-Spd. Automatic VLP
			ED1 = 2.4L 4 Cyl DOHC 16v SMPI Engine	Transmission
				DGQ = 5-Spd Automatic 5-45RFE
				Transmission
				DEH = 6-Speed Manual NSG370
				Transmission
				DDD = 5-Speed HD Manual
				Transmission
				DDK = 5-Speed HD Manual
				Transmission

AR = use ase required - = Non illustrated part

**Recliners, Adjusters, Risers**  
**Figure IKJ-810**



ITEM	PART NUMBER	QTY	LINE	SERIES	BODY	ENGINE	TRANS	TRIM	DESCRIPTION
	05072128AA	8	J, T						*L7
		8	J, T						*N5
		8	J, T						*B5
		8	J, U						*B7
		8	J, U						*J7
		8	J, U						*L7
		8	J, U						*DL
		8	J, T						*DL
		4	J, T		74				*A5
7		1	J, T, U		74				*Y5
									BOLT, Recliner
	05072128AA	4	J, T		74				*A5
	05093647AA	8	J, T						*N5
		8	J, T						*B5
		8	J, T						*L7
		8	J, T						*DL
		8	J, U						*B7
		8	J, U						*J7
		8	J, U						*L7
		8	J, U						*DL
8									CABLE, Recliner
	05127463AA	2	J, T						*L7
		2	J, T						*DL
		2	J, T						*N5
		2	J, T						*B5
		2	J, U						*L7
		2	J, U						*DL
		2	J, U						*B7
		2	J, U						*J7
		1	J, T		74				*A5

**LIBERTY (KJ)**  
**SERIES**  
H = HIGHLINE  
M = MEDIUM  
P = PREMIUM

**LINE**  
T = JEEP - 2WD  
J = JEEP - 4WD  
U = JEEP - 4WD (RHD)

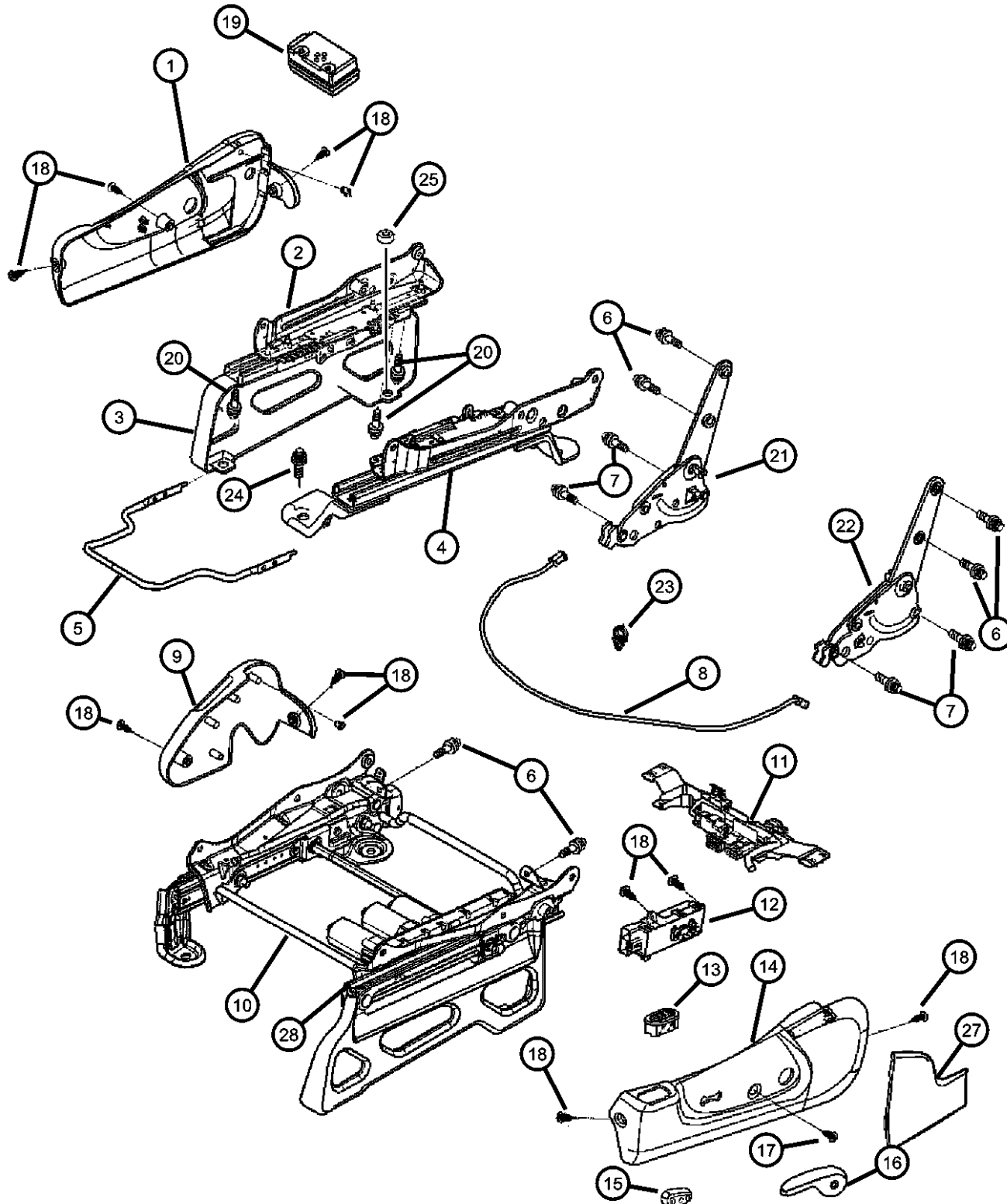
**BODY**  
74 = SPORT UTILITY 4-DR

**ENGINE**  
EKG = 3.7L V6 Engine  
ENR = 2.8L 4 Cyl Turbo Diesel Engine  
ENJ = 2.5L 4 Cyl 16V Turbo Diesel Engine  
ED1 = 2.4L 4 Cyl DOHC 16v SMPI Engine

**TRANSMISSION**  
DG6 = 4-Spd. Automatic 42RLE Transmission  
DGV = 4-Spd. Automatic VLP Transmission  
DGQ = 5-Spd Automatic 5-45RFE Transmission  
DEH = 6-Speed Manual NSG370 Transmission  
DDD = 5-Speed HD Manual Transmission  
DDK = 5-Speed HD Manual Transmission

AR = use ase required - = Non illustrated part

Recliners, Adjusters, Risers  
Figure IKJ-810



ITEM	PART NUMBER	QTY	LINE	SERIES	BODY	ENGINE	TRANS	TRIM	DESCRIPTION
9		1	J, T, U		74			*Y5	SHIELD, Seat Adjuster
	0UZ421D1AA	1	J, T					*DL	[J1] Passenger Inboard
		1	J, U					*DL	[J1] Passenger Inboard
	0UZ421D5AA	1	J, T					*B5	[D5] Passenger Inboard
		1	J, T					*L7	[D5] Passenger Inboard
		1	J, T					*N5	[D5] Passenger Inboard
		1	J, U					*B7	[D5] Passenger Inboard
		1	J, U					*L7	[D5] Passenger Inboard
		1	J					*J7	[D5] Passenger Inboard
		1	J, T		74			*A5	[D5] Passenger Inboard
	0UZ421DBAA	1	J, T, U		74			*Y5	[D5] Passenger Inboard
		1	T, J					*DL	[DB] Passenger Inboard
		1	J, U					*DL	[DB] Passenger Inboard
	0UZ421J3AA	1	J, T					*N5	[J3] Passenger Inboard
		1	J, T					*L7	[J3] Passenger Inboard
		1	J, T					*B5	[J3] Passenger Inboard
		1	J, U					*B7	[J3] Passenger Inboard
		1	J, U					*L7	[J3] Passenger Inboard
		1	J					*J7	[J3] Passenger Inboard
		1	J, T		74			*A5	[J3] Passenger Inboard
	0UZ431D1AA	1	J, T, U		74			*Y5	[J3] Passenger Inboard
		1	J, T					*DL	[J1] Driver Inboard
		1	J, U					*DL	[J1] Driver Inboard
	0UZ431D5AA	1	J, T					*N5	[D5] Driver Inboard
		1	J, T					*L7	[D5] Driver Inboard
		1	J, T					*B5	[D5] Driver Inboard
		1	J, U					*B7	[D5] Driver Inboard
		1	J, U					*L7	[D5] Driver Inboard
		1	J					*J7	[D5] Driver Inboard

LIBERTY (KJ)

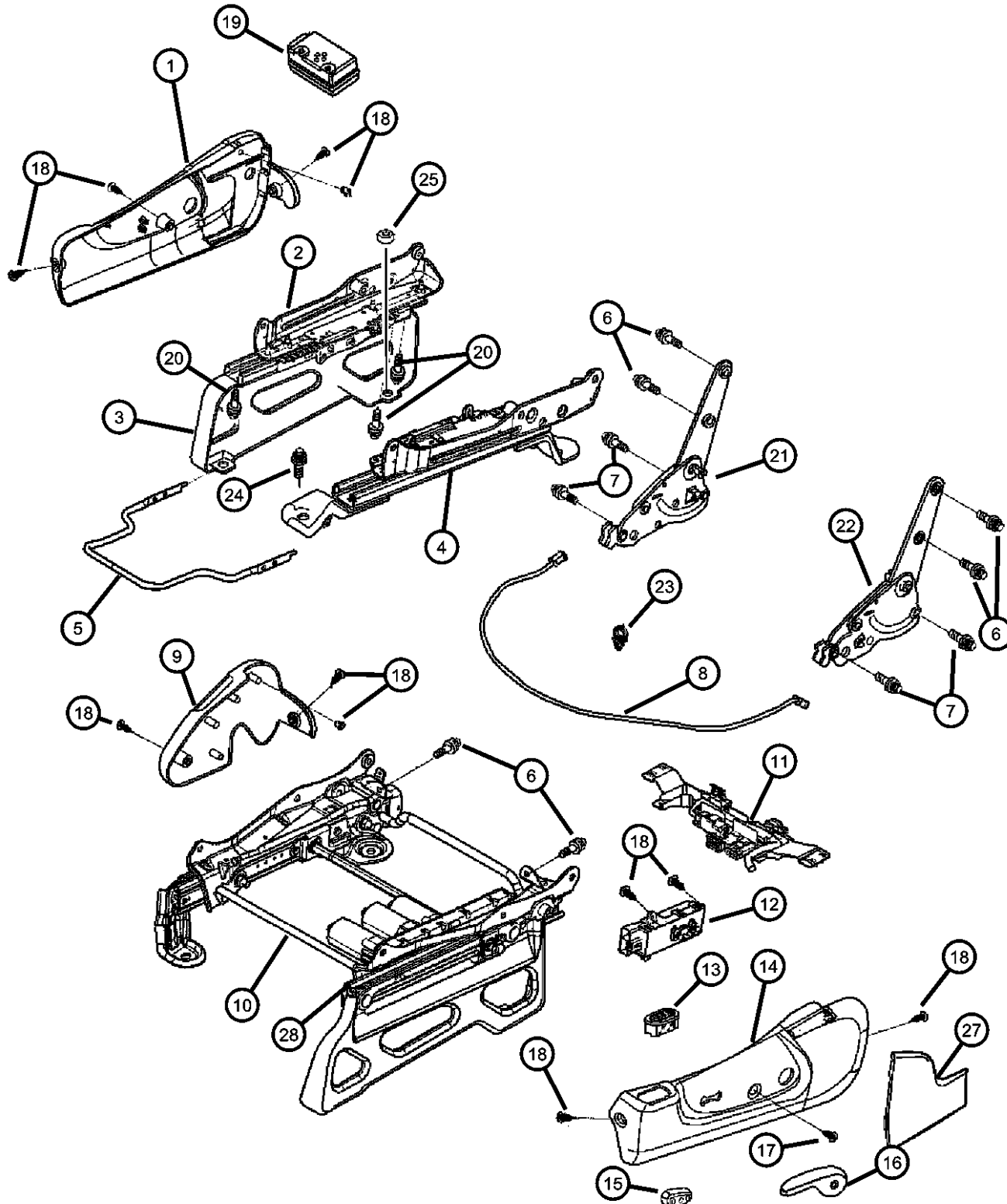
SERIES LINE  
H = HIGHLINE T = JEEP - 2WD  
M = MEDIUM J = JEEP - 4WD  
P = PREMIUM U = JEEP - 4WD (RHD)

BODY  
74 = SPORT UTILITY 4-DR

ENGINE TRANSMISSION  
EKG = 3.7L V6 Engine DG6 = 4-Spd. Automatic 42RLE  
ENR = 2.8L 4 Cyl Turbo Diesel Transmission  
Engine DGV = 4-Spd. Automatic VLP  
ENJ = 2.5L 4 Cyl 16V Turbo Transmission  
Diesel Engine DGQ = 5-Spd Automatic 5-45RFE  
ED1 = 2.4L 4 Cyl DOHC 16v Transmission  
SMPI Engine DEH = 6-Speed Manual NSG370  
Transmission  
DDD = 5-Speed HD Manual  
Transmission  
DDK = 5-Speed HD Manual  
Transmission

AR = use ase required - = Non illustrated part

**Recliners, Adjusters, Risers**  
**Figure IKJ-810**



ITEM	PART NUMBER	QTY	LINE	SERIES	BODY	ENGINE	TRANS	TRIM	DESCRIPTION
		1	J, T		74			*A5	[D5] Driver Inboard
		1	J, T, U		74			*Y5	[D5] Driver Inboard
	0UZ431DBAA	1	J, T					*DL	[DB] Driver Inboard
		1	J, U					*DL	[DB] Driver Inboard
	0UZ431J3AA	1	J, T					*N5	[J3] Driver Inboard
		1	J, T					*B5	[J3] Driver Inboard
		1	J, U					*B7	[J3] Driver Inboard
		1	J, U					*J7	[J3] Driver Inboard
		1	J, U					*L7	[J3] Driver Inboard
		1	J, T		74			*A5	[J3] Driver Inboard
		1	J, T, U		74			*Y5	[J3] Driver Inboard
10									ADJUSTER, Power Seat
	0WZ34XD-HAA	1	J, T					*DL	[DB], Passenger
		1	J, U					*L7	[D5], Passenger
	0WZ34ZJ8AA	1	J, U					*DL	[DB], Passenger
		1	J, T					*DL	[J1], Passenger
		1	J, U					*J7	[J3], Passenger
		1	J, U					*L7	[J3], Passenger
		1	J, U					*DL	[J1], Passenger
	0WZ35XD-HAA	1	J, T					*L7	[D5], Driver
		1	J, T					*DL	[DB], Driver
		1	J, T					*N5	[D5], Driver
		1	J, U					*L7	[D5], Driver
		1	J, U					*DL	[DB], Driver
	0WZ35ZJ8AA	1	J, T					*L7	[J3], Driver
		1	J, T					*DL	[J1], Driver
		1	J, T					*B5	Driver
		1	J, U					*L7	[J3], Driver

**LIBERTY (KJ)**  
**SERIES**      **LINE**  
H = HIGHLINE      T = JEEP - 2WD  
M = MEDIUM      J = JEEP - 4WD  
P = PREMIUM      U = JEEP - 4WD (RHD)

**BODY**  
74 = SPORT UTILITY 4-DR

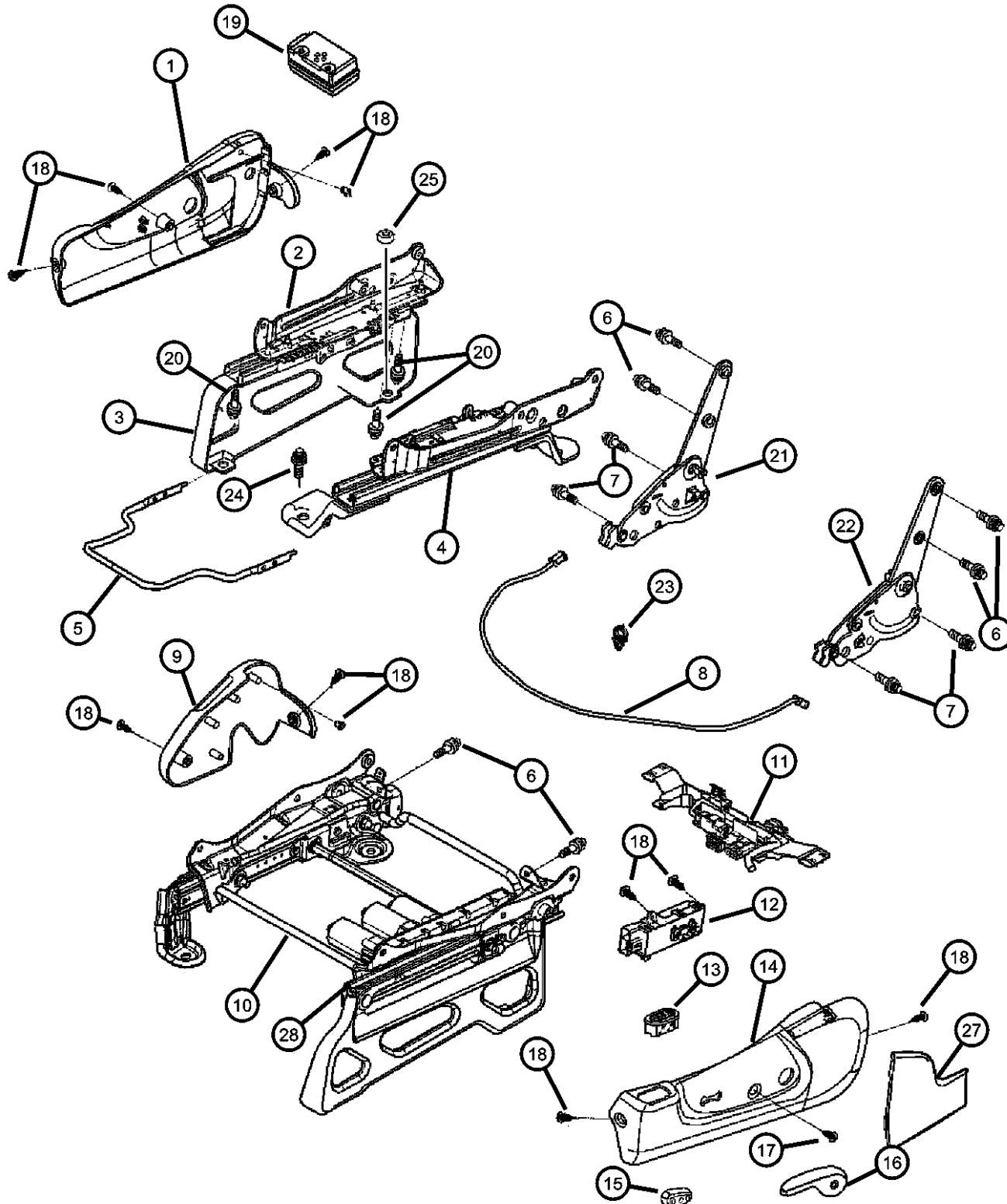
**ENGINE**  
EKG = 3.7L V6 Engine  
ENR = 2.8L 4 Cyl Turbo Diesel Engine  
ENJ = 2.5L 4 Cyl 16V Turbo Diesel Engine  
ED1 = 2.4L 4 Cyl DOHC 16v SMPI Engine

**TRANSMISSION**  
DG6 = 4-Spd. Automatic 42RLE Transmission  
DGV = 4-Spd. Automatic VLP Transmission  
DGQ = 5-Spd Automatic 5-45RFE Transmission  
DEH = 6-Speed Manual NSG370 Transmission  
DDD = 5-Speed HD Manual Transmission  
DDK = 5-Speed HD Manual Transmission

AR = use ase required - = Non illustrated part



**Recliners, Adjusters, Risers**  
**Figure IKJ-810**



ITEM	PART NUMBER	QTY	LINE	SERIES	BODY	ENGINE	TRANS	TRIM	DESCRIPTION
		1	J, U					*DL	[J1], Driver
		1	J					*J7	[J3], Driver
11									WIRING, Power Seat
	05142958AA	1	J, T					*DL	Power, Right
	05142959AA	1	J, T					*L7	, Left
		1	J, T					*N5	Left
		1	J, T					*B5	Power, Left
		1	J, T					*DL	Power, Left
		1	J, U					*J7	Left
		1	J, U					*DL	Power, Left
	05143004AA	1	J, T					*DL	Power and Heated, Right
	05143005AA	1	J, T					*DL	Power and Heated, Left
		1	U, J					*DL	Power and Heated, Left
	05143028AA	1	J, T					*DL	Power, Mexico, Right
		1	J, U					*J7	Right
		1	J, U					*L7	Right
		1	J, U					*DL	Power, Export, Right
	05143034AA	1	J, T					*DL	Power and Heated, Mexico, Right
		1	J, U					*DL	Power and Heated, Export, Right
12									SWITCH, Seat
	55352782AA	1	J, T					*B5	
		2	J, T					*DL	
		2	J, U					*L7	
		1	J, T					*N5	
		2	J, U					*J7	
		2	J, U					*DL	
13									SWITCH, Heated Seat
	5GW44DX9AB	2	J, T					*DL	
		2	J, U					*DL	

**LIBERTY (KJ)**  
**SERIES**  
H = HIGHLINE  
M = MEDIUM  
P = PREMIUM

**LINE**  
T = JEEP - 2WD  
J = JEEP - 4WD  
U = JEEP - 4WD (RHD)

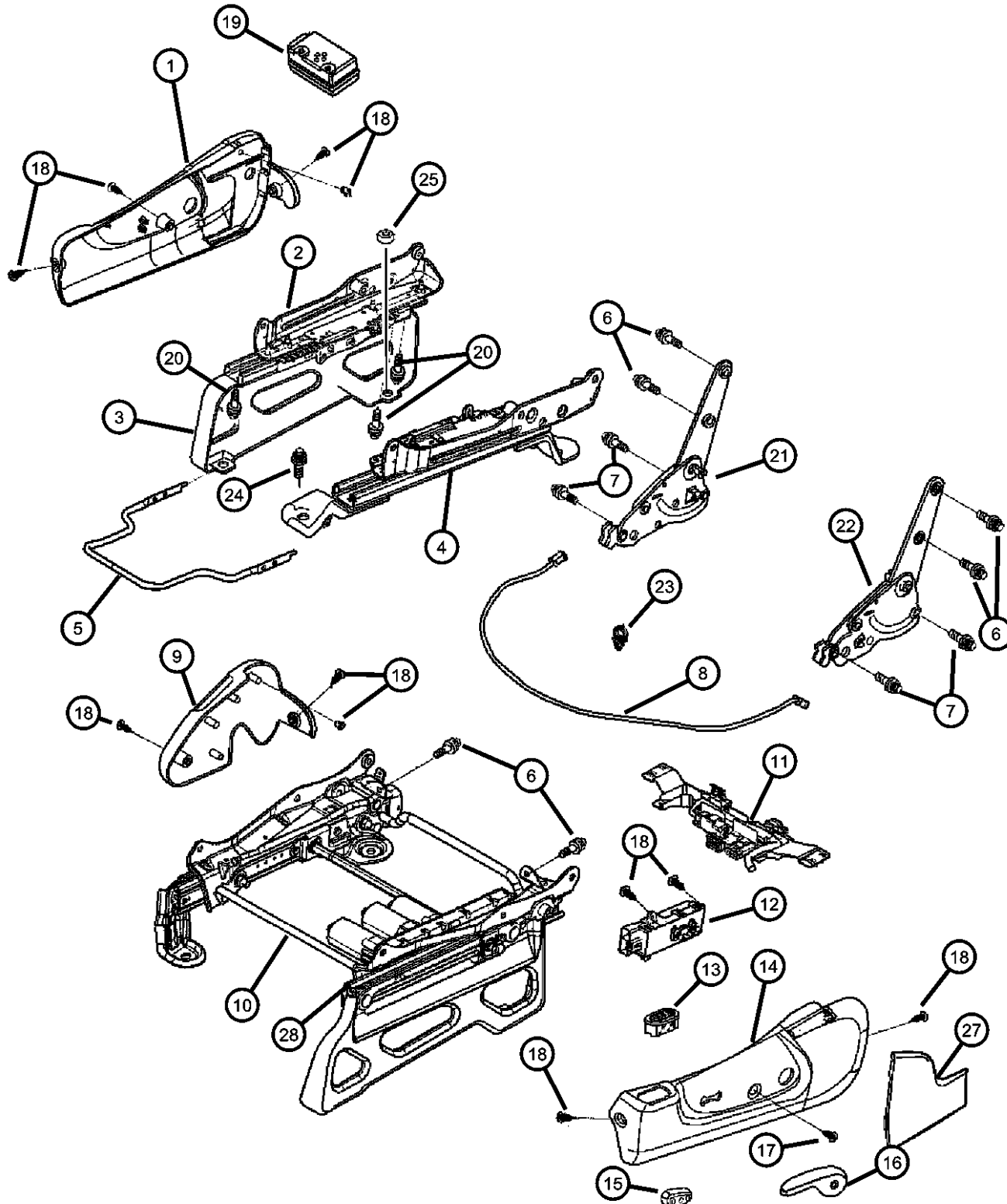
**BODY**  
74 = SPORT UTILITY 4-DR

**ENGINE**  
EKG = 3.7L V6 Engine  
ENR = 2.8L 4 Cyl Turbo Diesel Engine  
ENJ = 2.5L 4 Cyl 16V Turbo Diesel Engine  
ED1 = 2.4L 4 Cyl DOHC 16v SMPI Engine

**TRANSMISSION**  
DG6 = 4-Spd. Automatic 42RLE Transmission  
DGV = 4-Spd. Automatic VLP Transmission  
DGQ = 5-Spd Automatic 5-45RFE Transmission  
DEH = 6-Speed Manual NSG370 Transmission  
DDD = 5-Speed HD Manual Transmission  
DDK = 5-Speed HD Manual Transmission

AR = use ase required - = Non illustrated part

**Recliners, Adjusters, Risers**  
**Figure IKJ-810**



ITEM	PART NUMBER	QTY	LINE	SERIES	BODY	ENGINE	TRANS	TRIM	DESCRIPTION
14									SHIELD, Seat Adjuster, Power Seat
	0ZH841D1AA	1	J, T					*DL	[J1],Non-Heated, Right
		1	J, U					*DL	[J1],Non-Heated, Right
	0ZH841D5AA	1	J, U					*J7	[D5],Non-Heated, Right
		1	J, U					*L7	[D5],Non-Heated, Right
	0ZH841DBAA	1	J, T					*DL	[DB],Non-Heated, Right
		1	J, U					*DL	[DB],Non-Heated, Right
	0ZH841J3AA	1	J, U					*J7	[J3],Non-Heated, Right
		1	J, U					*L7	[J3],Non-Heated, Right
	0ZH851D1AA	1	J, T					*DL	[J1],Non-Heated, Left
		1	J, U					*DL	[J1],Non-Heated, Left
	0ZH851D5AA	1	J, U					*J7	[D5],Non-Heated, Left
		1	J, T					*B5	[D5],Non-Heated, Left
		1	J, T					*L7	[D5],Non-Heated, Left
		1	J, T					*N5	[D5],Non-Heated, Left
		1	J, U					*L7	[D5],Non-Heated, Left
	0ZH851DBAA	1	J, T					*DL	[DB],Non-Heated, Left
		1	J, U					*DL	[DB],Non-Heated, Left
	0ZH851J3AA	1	J, T					*B5	[J3],Non-Heated, Left
		1	J, T					*L7	[J3],Non-Heated, Left
		1	J, T					*N5	[J3],Non-Heated, Left
		1	J, U					*J7	[J3],Non-Heated, Left
		1	J, U					*L7	[J3],Non-Heated, Left
	0ZH861D1AA	1	J, T					*DL	[J1],Heated, Right
		1	J, U					*DL	[J1],Heated, Right
	0ZH861DBAA	1	J, T					*DL	[DB],Heated, Right
		1	J, U					*DL	[DB],Heated, Right
	0ZH871D1AA	1	J, T					*DL	[J1],Heated, Left
		1	J, U					*DL	[J1],Heated, Left

**LIBERTY (KJ)**

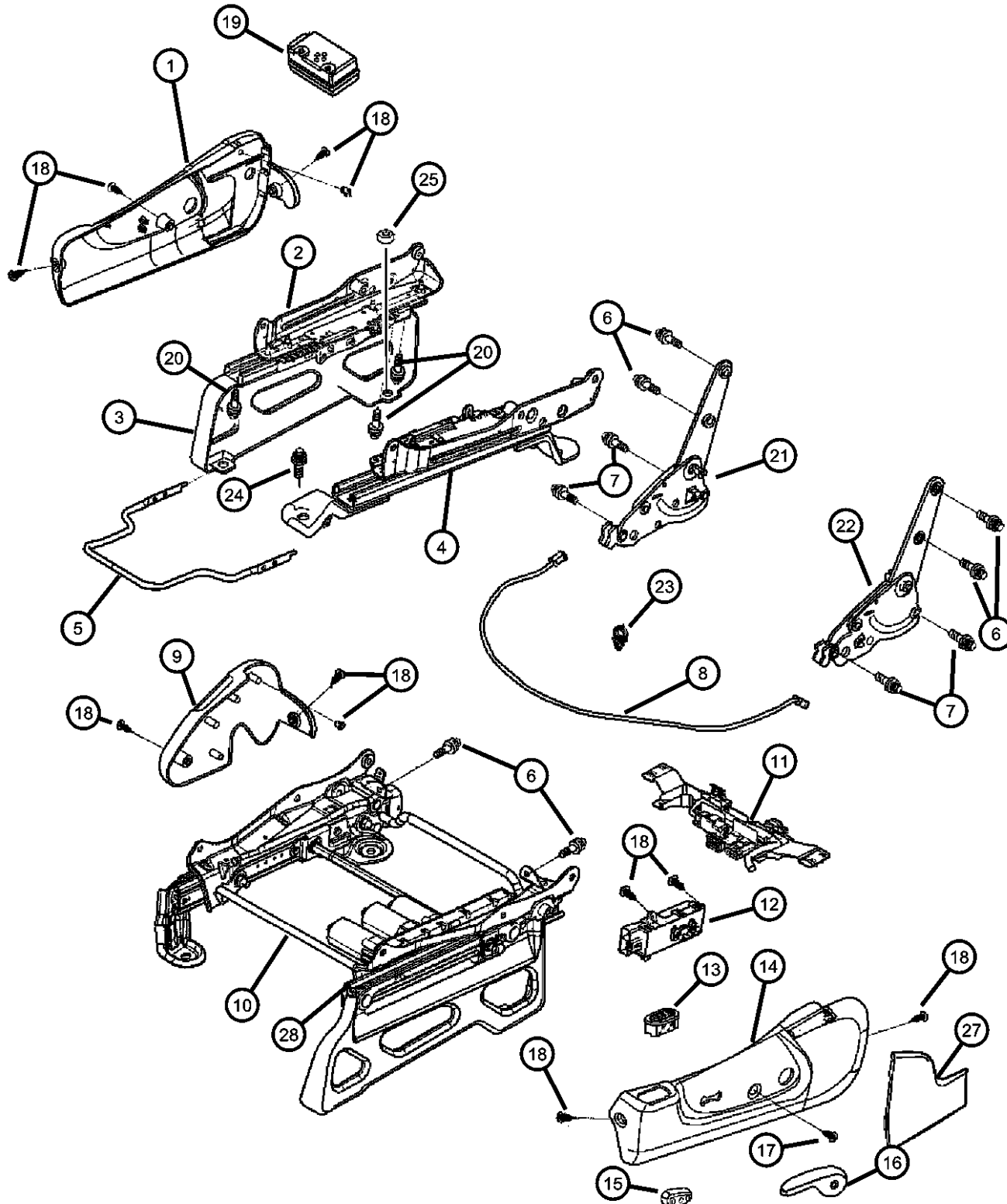
SERIES      LINE  
H = HIGHLINE    T = JEEP - 2WD  
M = MEDIUM     J = JEEP - 4WD  
P = PREMIUM    U = JEEP - 4WD (RHD)

BODY  
74 = SPORT UTILITY 4-DR

ENGINE      TRANSMISSION  
EKG = 3.7L V6 Engine      DG6 = 4-Spd. Automatic 42RLE  
ENR = 2.8L 4 Cyl Turbo Diesel      Transmission  
Engine      DGV = 4-Spd. Automatic VLP  
ENJ = 2.5L 4 Cyl 16V Turbo      Transmission  
Diesel Engine      DGQ = 5-Spd Automatic 5-45RFE  
ED1 = 2.4L 4 Cyl DOHC 16v      Transmission  
SMPI Engine      DEH = 6-Speed Manual NSG370  
Transmission  
DDD = 5-Speed HD Manual  
Transmission  
DDK = 5-Speed HD Manual  
Transmission

AR = use ase required - = Non illustrated part

**Recliners, Adjusters, Risers**  
**Figure IKJ-810**



ITEM	PART NUMBER	QTY	LINE	SERIES	BODY	ENGINE	TRANS	TRIM	DESCRIPTION
	0ZH871DBAA	1	J, T					*DL	[DB],Heated, Left
		1	J, U					*DL	[DB],Heated, Left
15									KNOB, Power Seat Switch
	04607042AB	1	J, T					*DL	Right
		1	J, U					*L7	Right
		1	J, U					*DL	Right
		1	J, U					*J7	Right
	04607043AB	1	J, T					*B5	Left
		1	J, T					*L7	Left
		1	J, T					*DL	Left
		1	J, T					*N5	Left
		1	J, U					*J7	Left
		1	J, U					*L7	Left
		1	J, U					*DL	Left
16									HANDLE, Recliner
	0UZ281D5AA	1	J, T		74			*A5	[D5], Right
		1	T, U, J		74			*Y5	[D5], Right
	0UZ281J3AA	1	J, T		74			*A5	[J3], Right
		1	J, T, U		74			*Y5	[J3], Right
	0UZ281D1AB	1	J, T					*DL	[J1], Right
		1	J, U					*DL	[J1], Right
	0UZ281D5AB	1	J, T					*B5	[D5], Right
		1	J, T					*L7	[D5], Right
		1	J, U					*B7	[D5], Right
		1	J, U					*J7	[D5], Right
		1	J, U					*L7	[D5], Right
	0UZ281DBAB	1	J, T					*DL	[DB], Right
		1	J, U					*DL	[DB], Right
	0UZ281J3AB	1	J, T					*B5	[J3], Right
		1	J, T					*L7	[J3], Right

**LIBERTY (KJ)**  
**SERIES**  
H = HIGHLINE  
M = MEDIUM  
P = PREMIUM

**LINE**  
T = JEEP - 2WD  
J = JEEP - 4WD  
U = JEEP - 4WD (RHD)

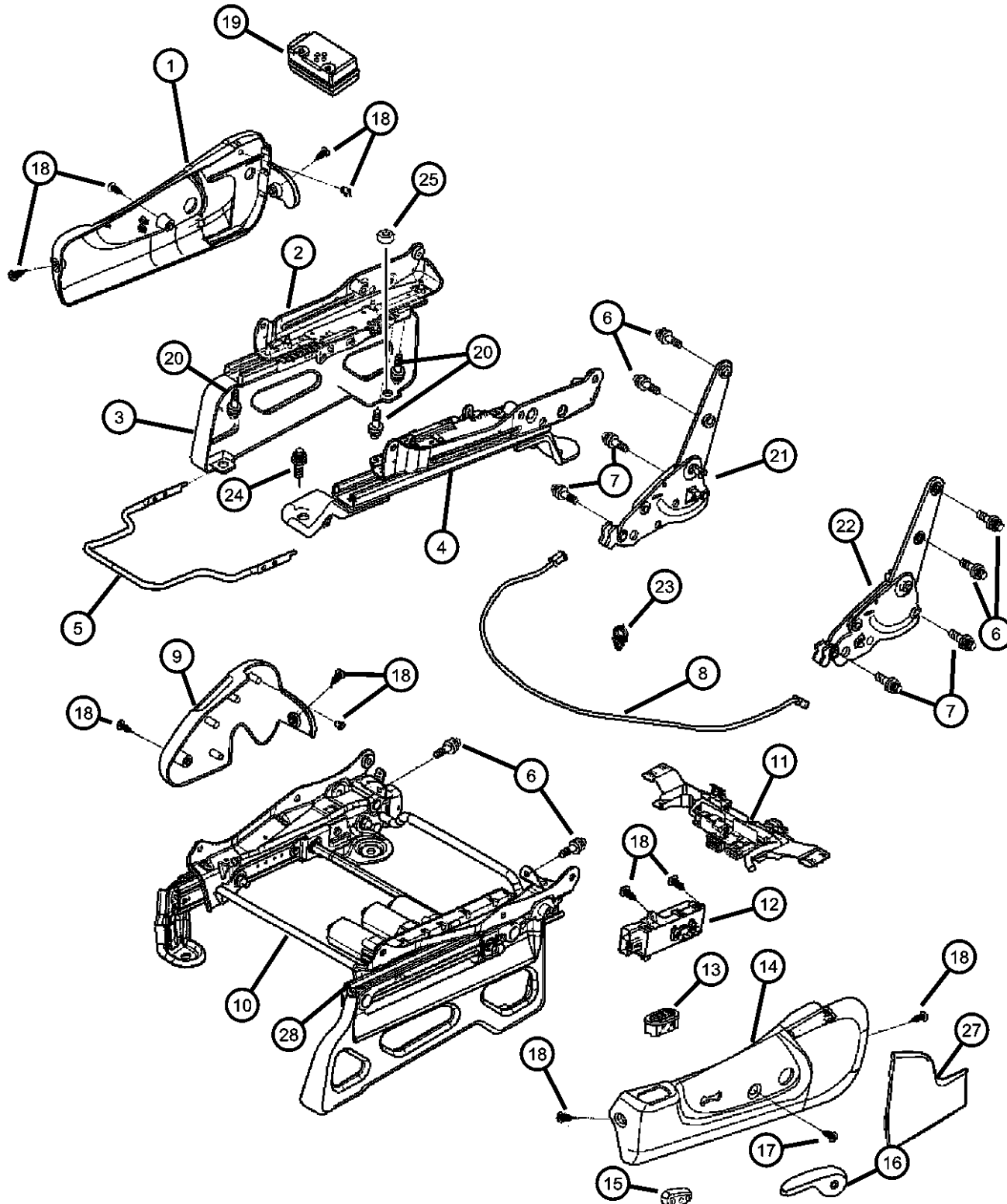
**BODY**  
74 = SPORT UTILITY 4-DR

**ENGINE**  
EKG = 3.7L V6 Engine  
ENR = 2.8L 4 Cyl Turbo Diesel Engine  
ENJ = 2.5L 4 Cyl 16V Turbo Diesel Engine  
ED1 = 2.4L 4 Cyl DOHC 16v SMPI Engine

**TRANSMISSION**  
DG6 = 4-Spd. Automatic 42RLE Transmission  
DGV = 4-Spd. Automatic VLP Transmission  
DGQ = 5-Spd Automatic 5-45RFE Transmission  
DEH = 6-Speed Manual NSG370 Transmission  
DDD = 5-Speed HD Manual Transmission  
DDK = 5-Speed HD Manual Transmission

AR = use ase required - = Non illustrated part

**Recliners, Adjusters, Risers**  
**Figure IKJ-810**



ITEM	PART NUMBER	QTY	LINE	SERIES	BODY	ENGINE	TRANS	TRIM	DESCRIPTION
		1	J, U					*B7	[J3], Right
		1	J, U					*J7	[J3], Right
		1	J, U					*L7	[J3], Right
	0UZ291D5AA	1	J, T, U		74			*Y5	[D5], Left
		1	J, T		74			*A5	[D5], Left
	0UZ291J3AA	1	J, T		74			*A5	[J3], Left
		1	J, T, U		74			*Y5	[J3], Left
	0UZ291D1AB	1	J, T					*DL	[J1], Left
		1	J, U					*DL	[J1], Left
	0UZ291D5AB	1	J, T					*L7	[D5], Left
		1	J, U					*J7	[D5], Left
		1	J, U					*L7	[D5], Left
		1	J, T					*B5	[D5], Left
		1	J, U					*B7	[D5], Left
	0UZ291DBAB	1	J, U					*DL	[DB], Left
		1	J, T					*DL	[DB], Left
	0UZ291J3AB	1	J, T					*B5	[J3], Left
		1	J, U					*B7	[J3], Left
		1	J, T					*L7	[J3], Left
		1	J, U					*L7	[J3], Left
		1	J, U					*J7	[J3], Left
17									SCREW, Recliner Handle
	05072127AB	2	J, T					*B5	
		2	J, T					*DL	
		2	J, T					*L7	
		2	J, T					*N5	
		2	J, U					*B7	
		2	J, U					*L7	
		1	J, U					*DL	
		1	J					*J7	

**LIBERTY (KJ)**  
**SERIES**  
H = HIGHLINE  
M = MEDIUM  
P = PREMIUM

**LINE**  
T = JEEP - 2WD  
J = JEEP - 4WD  
U = JEEP - 4WD (RHD)

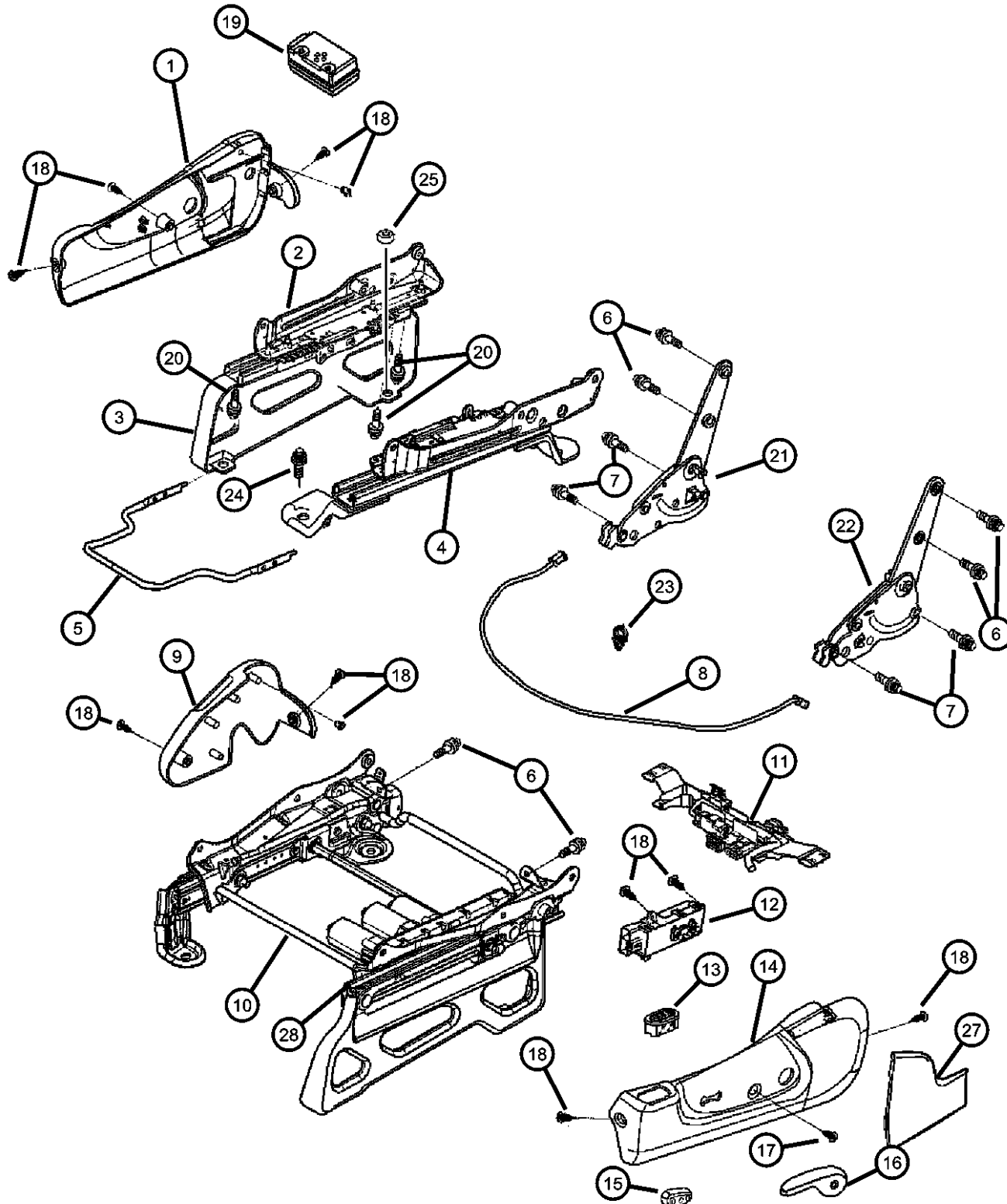
**BODY**  
74 = SPORT UTILITY 4-DR

**ENGINE**  
EKG = 3.7L V6 Engine  
ENR = 2.8L 4 Cyl Turbo Diesel Engine  
ENJ = 2.5L 4 Cyl 16V Turbo Diesel Engine  
ED1 = 2.4L 4 Cyl DOHC 16v SMPI Engine

**TRANSMISSION**  
DG6 = 4-Spd. Automatic 42RLE Transmission  
DGV = 4-Spd. Automatic VLP Transmission  
DGQ = 5-Spd Automatic 5-45RFE Transmission  
DEH = 6-Speed Manual NSG370 Transmission  
DDD = 5-Speed HD Manual Transmission  
DDK = 5-Speed HD Manual Transmission

AR = use ase required - = Non illustrated part

**Recliners, Adjusters, Risers**  
**Figure IKJ-810**



ITEM	PART NUMBER	QTY	LINE	SERIES	BODY	ENGINE	TRANS	TRIM	DESCRIPTION
		2	J, T, U		74			*Y5	
		1	J, T		74			*A5	
18									SCREW, Trim
	05072741AA	8	J, T					*B5	
		8	J, T					*L7	
		8	J, T					*DL	
		8	J, T					*N5	
		8	J, U					*L7	
		8	J, U					*B7	
		1	J, U					*DL	
		8	J					*J7	
		8	J, T		74			*A5	
		8	J, T, U		74			*Y5	
19									MODULE, Heated Seat Control
	56010113AA	1	T, J					*DL	
		1	J, U					*DL	
20	06101452	1							SCREW AND WASHER, Hex Head, M8x1.25x20
21									RECLINER, Front Seat Back
	05072020AA	1	J, T					*B5	Right Outboard
		1	J, T					*L7	Right Outboard
		1	J, T					*DL	Right Outboard
		1	J, T					*N5	Right Outboard
		1	J, U					*B7	Right Outboard
		1	J, U					*L7	Right Outboard
		1	J, U					*DL	Right Outboard
		1	J					*J7	Right Outboard
		1	J, T		74			*A5	Right Outboard
		1	J, T, U		74			*Y5	Right Outboard
	05072022AA	1	J, T					*L7	Left Inboard

**LIBERTY (KJ)**  
**SERIES**  
H = HIGHLINE  
M = MEDIUM  
P = PREMIUM

**LINE**  
T = JEEP - 2WD  
J = JEEP - 4WD  
U = JEEP - 4WD (RHD)

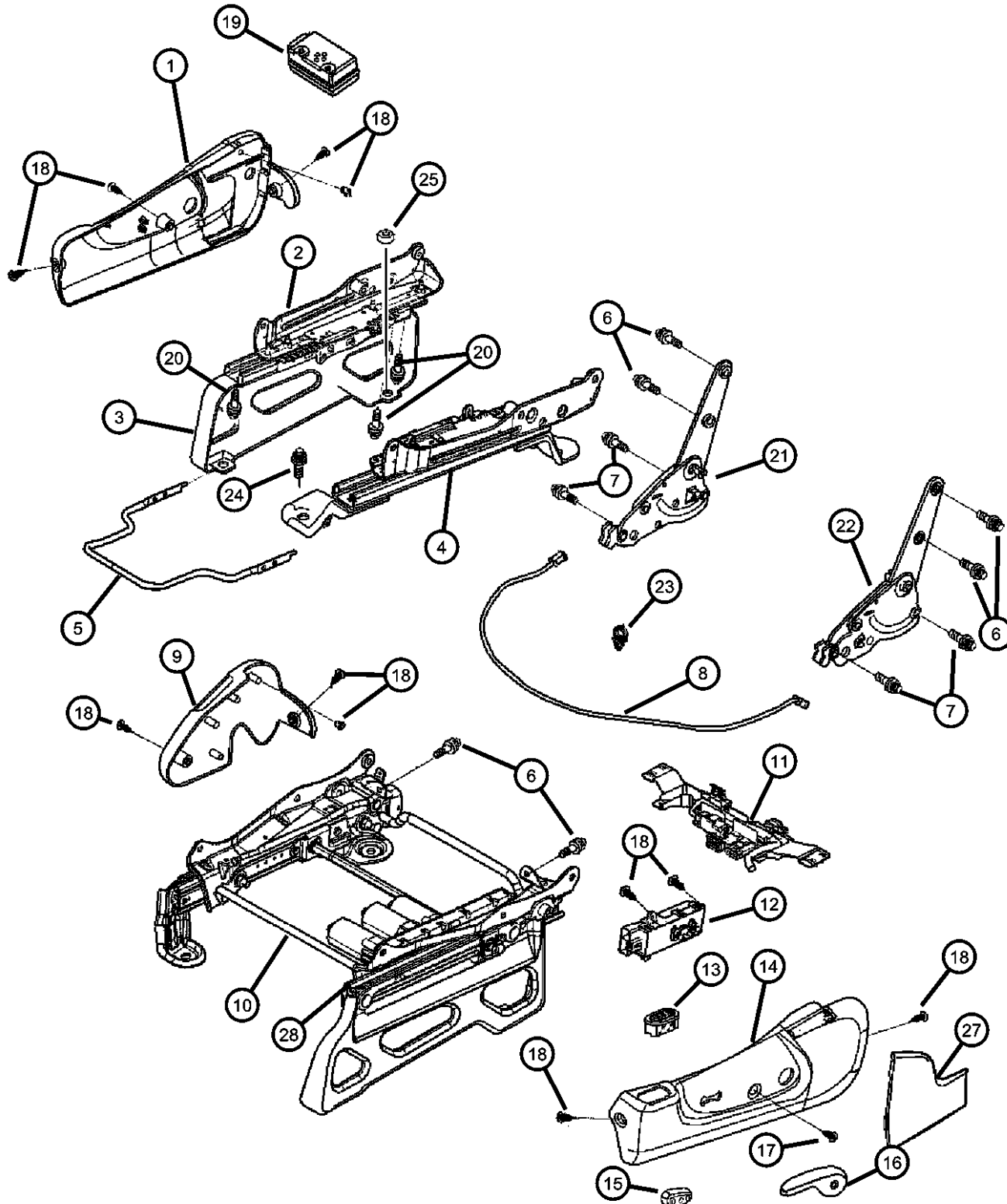
**BODY**  
74 = SPORT UTILITY 4-DR

**ENGINE**  
EKG = 3.7L V6 Engine  
ENR = 2.8L 4 Cyl Turbo Diesel Engine  
ENJ = 2.5L 4 Cyl 16V Turbo Diesel Engine  
ED1 = 2.4L 4 Cyl DOHC 16v SMPI Engine

**TRANSMISSION**  
DG6 = 4-Spd. Automatic 42RLE Transmission  
DGV = 4-Spd. Automatic VLP Transmission  
DGQ = 5-Spd Automatic 5-45RFE Transmission  
DEH = 6-Speed Manual NSG370 Transmission  
DDD = 5-Speed HD Manual Transmission  
DDK = 5-Speed HD Manual Transmission

AR = use ase required - = Non illustrated part

**Recliners, Adjusters, Risers**  
**Figure IKJ-810**



ITEM	PART NUMBER	QTY	LINE	SERIES	BODY	ENGINE	TRANS	TRIM	DESCRIPTION
		1	J, T					*N5	Left Inboard
		1	J, T					*B5	Left Inboard
		1	J, T					*DL	Left Inboard
		1	J, U					*B7	Left Inboard
		1	J, U					*L7	Left Inboard
		1	J, U					*DL	Left Inboard
		1	J					*J7	Left Inboard
		1	J, T		74			*A5	Left Inboard
		1	J, T, U		74			*Y5	Left Inboard
22									RECLINER, Front Seat Back
	05072021AA	1	J, T					*N5	Right Inboard
		1	J, T					*L7	Right Inboard
		1	J, T					*DL	Right Inboard
		1	J, T					*B5	Right Inboard
		1	J, U					*B7	Right Inboard
		1	J, U					*L7	Right Inboard
		1	J, U					*DL	Right Inboard
		1	J					*J7	Right Inboard
		1	J, T, U		74			*Y5	Right Inboard
		1	J, T		74			*A5	Right Inboard
	05072023AA	1	J, T					*L7	Left Outboard
		1	J, T					*N5	Left Outboard
		1	J, T					*B5	Left Outboard
		1	J, T					*DL	Left Outboard
		1	J, U					*B7	Left Outboard
		1	J, U					*L7	Left Outboard
		1	J, U					*DL	Left Outboard
		1	J					*J7	Left Outboard
		1	J, T		74			*A5	Left Outboard
		1	J, T, U		74			*Y5	Left Outboard

**LIBERTY (KJ)**  
**SERIES**  
H = HIGHLINE  
M = MEDIUM  
P = PREMIUM

**LINE**  
T = JEEP - 2WD  
J = JEEP - 4WD  
U = JEEP - 4WD (RHD)

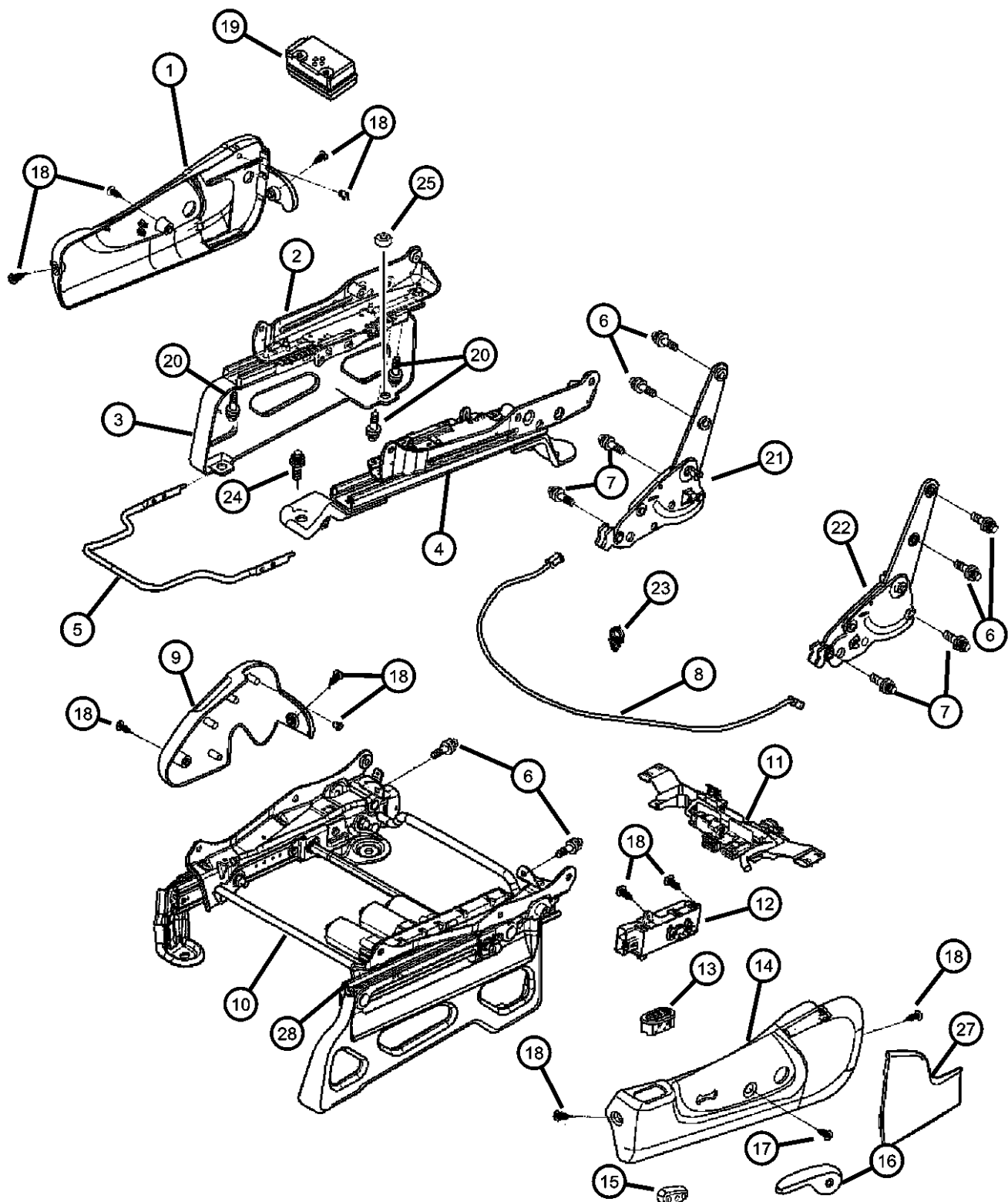
**BODY**  
74 = SPORT UTILITY 4-DR

**ENGINE**  
EKG = 3.7L V6 Engine  
ENR = 2.8L 4 Cyl Turbo Diesel Engine  
ENJ = 2.5L 4 Cyl 16V Turbo Diesel Engine  
ED1 = 2.4L 4 Cyl DOHC 16v SMPI Engine

**TRANSMISSION**  
DG6 = 4-Spd. Automatic 42RLE Transmission  
DGV = 4-Spd. Automatic VLP Transmission  
DGQ = 5-Spd Automatic 5-45RFE Transmission  
DEH = 6-Speed Manual NSG370 Transmission  
DDD = 5-Speed HD Manual Transmission  
DDK = 5-Speed HD Manual Transmission

AR = use ase required - = Non illustrated part

Recliners, Adjusters, Risers  
Figure IKJ-810



ITEM	PART NUMBER	QTY	LINE	SERIES	BODY	ENGINE	TRANS	TRIM	DESCRIPTION
23	05072013AA	4	J, T					*B5	CLIP, Cable
		4	J, T					*L7	
		4	J, T					*N5	
		4	J, U					*DL	
		4	J, T					*DL	
		4	J, U					*B7	
		4	J, U					*L7	
		1	J					*J7	
		1	J, T		74			*A5	
		1	J, T, U		74			*Y5	
24	06506791AA	6							SCREW, Seat
25	06507170AA	2							BOLT, Seat
-26	04754806	1	U						BRACKET, Attaches Flare to Front Outboard Riser, Japan Only
27									COVER, Seat Belt Anchor
	5JX80BD1AA	1						*O0	[J1], Right
	5JX80BD5AA	1						*O0	[D5], Right
	5JX80XDBAA	1						*O0	[DB], Right
	5JX80ZJ3AA	1						*O0	[J3], Right
	5JX81BD1AA	1						*O0	[J1], Left
	5JX81BD5AA	1						*O0	[D5], Left
	5JX81XDBAA	1						*O0	[DB], Left
	5JX81ZJ3AA	1						*O0	[J3], Left
28									BRACKET
	68003104AA	1	J, T		74			*A5	Brkt is used to secure number 14 side panel to the adjuster. Goes on the left front corner of the adjuster., Passenger
		1	J, T, U		74			*Y5	Brkt is used to secure number 14 side panel to the adjuster. Goes on the left front corner of the adjuster., Passenger

LIBERTY (KJ)

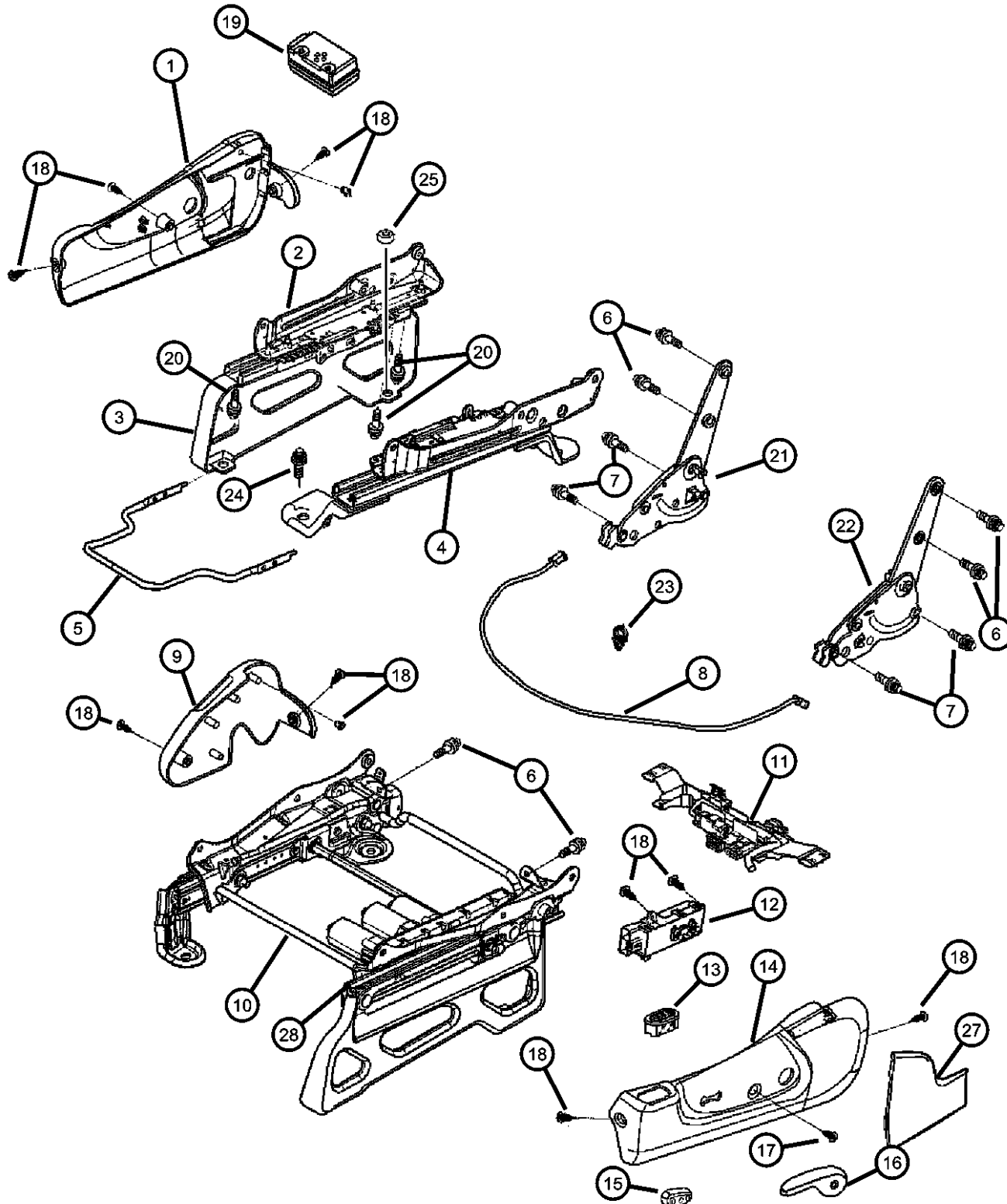
SERIES LINE  
 H = HIGHLINE T = JEEP - 2WD  
 M = MEDIUM J = JEEP - 4WD  
 P = PREMIUM U = JEEP - 4WD (RHD)

BODY  
 74 = SPORT UTILITY 4-DR

ENGINE TRANSMISSION  
 EKG = 3.7L V6 Engine DG6 = 4-Spd. Automatic 42RLE  
 ENR = 2.8L 4 Cyl Turbo Diesel Transmission  
 Engine DGV = 4-Spd. Automatic VLP  
 ENJ = 2.5L 4 Cyl 16V Turbo Transmission  
 Diesel Engine DGQ = 5-Spd Automatic 5-45RFE  
 ED1 = 2.4L 4 Cyl DOHC 16v Transmission  
 SMPI Engine DEH = 6-Speed Manual NSG370  
 Transmission  
 DDD = 5-Speed HD Manual  
 Transmission  
 DDK = 5-Speed HD Manual  
 Transmission

AR = use ase required - = Non illustrated part

Recliners, Adjusters, Risers  
Figure IKJ-810



ITEM	PART NUMBER	QTY	LINE	SERIES	BODY	ENGINE	TRANS	TRIM	DESCRIPTION
------	-------------	-----	------	--------	------	--------	-------	------	-------------

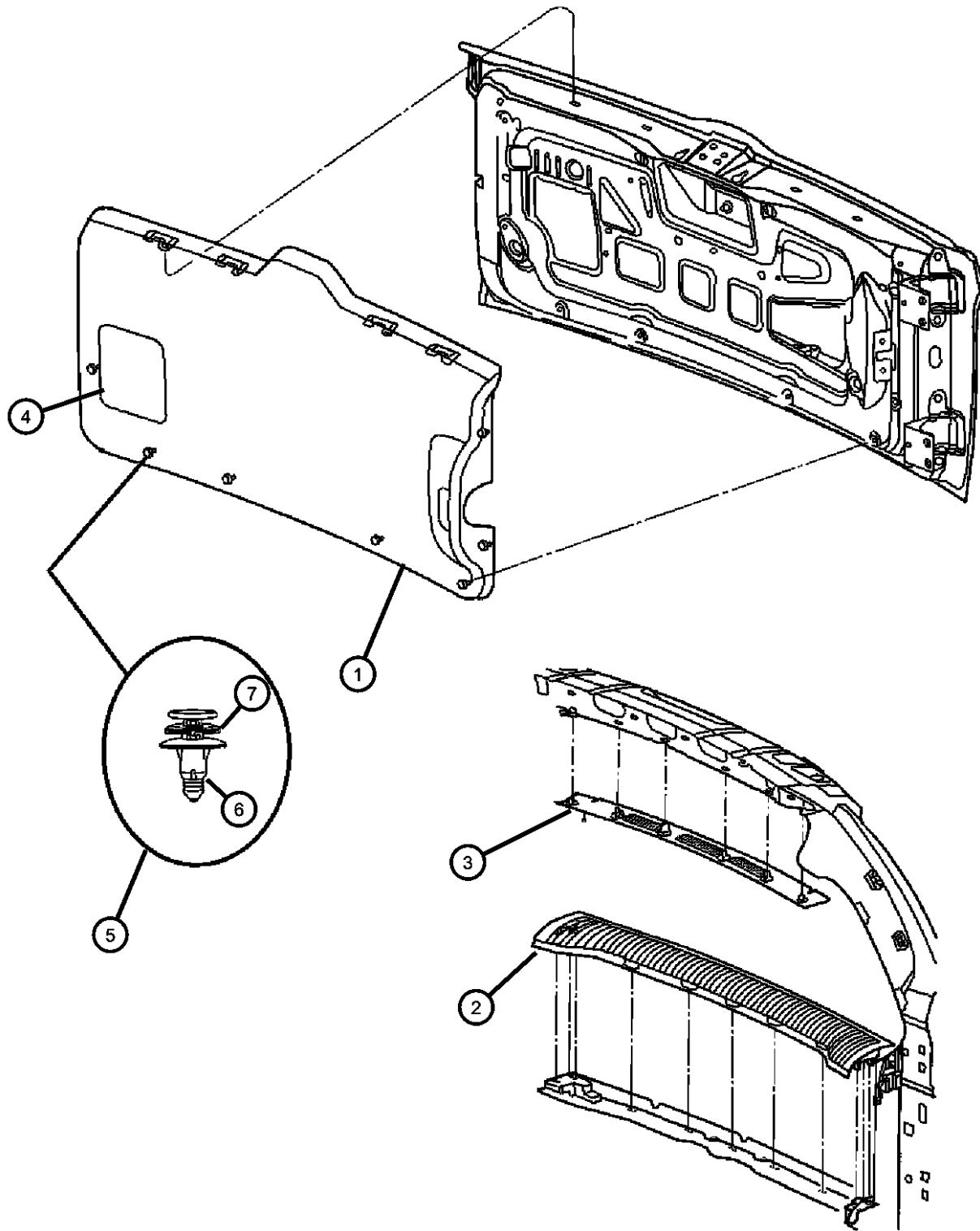
	68003105AA	1	J, T		74			*A5	Brkt is used to secure number 14 side panel to the adjuster. Goes on the left front corner of the adjuster., Driver
		1	J, T, U		74			*Y5	Brkt is used to secure number 14 side panel to the adjuster. Goes on the left front corner of the adjuster., Driver

<b>LIBERTY (KJ)</b>									
SERIES	LINE			BODY	ENGINE		TRANSMISSION		
H = HIGHLINE	T = JEEP - 2WD			74 = SPORT UTILITY 4-DR	EKG = 3.7L V6 Engine		DG6 = 4-Spd. Automatic 42RLE		
M = MEDIUM	J = JEEP - 4WD				ENR = 2.8L 4 Cyl Turbo Diesel Engine		DGV = 4-Spd. Automatic VLP		
P = PREMIUM	U = JEEP - 4WD (RHD)				ENJ = 2.5L 4 Cyl 16V Turbo Diesel Engine		DGQ = 5-Spd Automatic 5-45RFE		
					ED1 = 2.4L 4 Cyl DOHC 16v SMPI Engine		DEH = 6-Speed Manual NSG370		
							DDD = 5-Speed HD Manual		
							DDK = 5-Speed HD Manual		
							Transmission		

AR = use ase required - = Non illustrated part



**Swing Gate Trim Panel  
Figure IKJ-1010**



ITEM	PART NUMBER	QTY	LINE	SERIES	BODY	ENGINE	TRANS	TRIM	DESCRIPTION
1	5GE89BD5AJ	1						*O0	PANEL, Liftgate Lower [D5 , DB]
	5GE89ZJ3AJ	1						*O0	[J1 , J3]
2	5GE73BD5AJ	1						*O0	PLATE, Liftgate Scuff, Lower [D5 , DB]
	5GE73ZJ3AJ	1						*O0	[J1 , J3]
3	5GP80BD5AI	1						*O0	MOLDING, Headliner [D5 , DB]
	5GP80ZJ3AI	1						*O0	[J1 , J3]
4	0WZ20BD5AA	1						*O0	PANEL, Liftgate Glass Latch [D5 , DB]
	0WZ20ZJ3AA	1						*O0	[J1 , J3]
5	55116997AB	9						*O0	RETAINER, Trim Panel
6	05023174AA	9						*O0	PIN, Push
7	05023175AA	9						*O0	GROMMET

**LIBERTY (KJ)**

SERIES      LINE  
H = HIGHLINE    T = JEEP - 2WD  
M = MEDIUM     J = JEEP - 4WD  
P = PREMIUM    U = JEEP - 4WD (RHD)

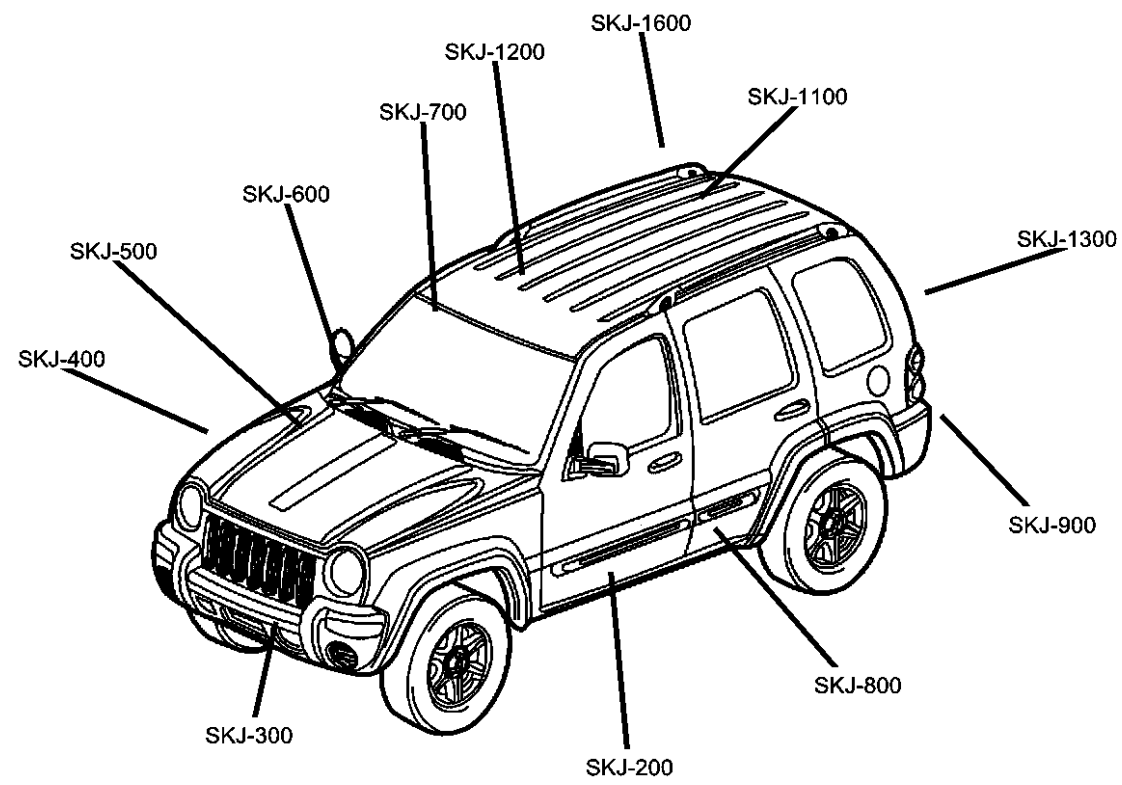
BODY  
74 = SPORT UTILITY 4-DR

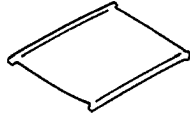

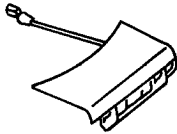

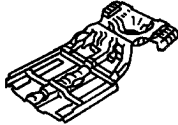

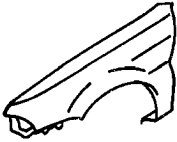
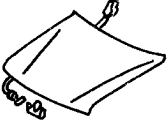
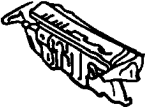

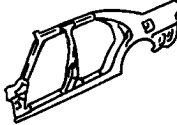
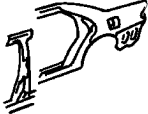
ENGINE      TRANSMISSION  
EKG = 3.7L V6 Engine      DG6 = 4-Spd. Automatic 42RLE  
ENR = 2.8L 4 Cyl Turbo Diesel      Transmission  
Engine      DGV = 4-Spd. Automatic VLP  
ENJ = 2.5L 4 Cyl 16V Turbo      Transmission  
Diesel Engine      DGQ = 5-Spd Automatic 5-45RFE  
ED1 = 2.4L 4 Cyl DOHC 16v      Transmission  
SMPI Engine      DEH = 6-Speed Manual NSG370  
Transmission  
DDD = 5-Speed HD Manual  
Transmission  
DDK = 5-Speed HD Manual  
Transmission

AR = use ase required - = Non illustrated part

# Group - SKJ

## Body Sheet Metal Except Doors



<p><b>SKJ-1100</b> Roof Panels</p> 	<p><b>SKJ-1200</b> Sunroof</p> 	<p><b>SKJ-1300</b> Liftgate Panel</p> 	<p><b>SKJ-1600</b> Luggage Rack</p> 
<p><b>SKJ-200</b> Floor Pans</p> 	<p><b>SKJ-300</b> Plugs</p> 	<p><b>SKJ-400</b> Front Fenders</p> 	<p><b>SKJ-500</b> Hood &amp; Hood Release</p> 
<p><b>SKJ-600</b> Cowl and Dash Panel</p> 	<p><b>SKJ-700</b> Glass and Rear View Mirror</p> 	<p><b>SKJ-800</b> Aperture Panel</p> 	<p><b>SKJ-900</b> Quarter Panel and Pillar</p> 

---

## Group - SKJ Body Sheet Metal Except Doors

Illustration Title

Group-Fig. No.

### Floor Pans

Front Floor Pan.....	Fig. SKJ - 210
Rear Floor Pan.....	Fig. SKJ - 220
Plates, Underbody Skid.....	Fig. SKJ - 230

### Plugs

Plugs.....	Fig. SKJ - 310
------------	----------------

### Front Fenders

Front Fender.....	Fig. SKJ - 410
-------------------	----------------

### Hood & Hood Release

Hood, Latch and Hinges.....	Fig. SKJ - 510
-----------------------------	----------------

### Cowl and Dash Panel

Cowl and Dash Panel.....	Fig. SKJ - 610
--------------------------	----------------

### Glass and Rear View Mirror

Windshield, Quarter Window, Backlite and Mirror.....	Fig. SKJ - 710
--	----------------

### Aperture Panel

Panels, Body Side.....	Fig. SKJ - 810
------------------------	----------------

### Quarter Panel and Pillar

Panels, Rear Quarter.....	Fig. SKJ - 910
Fuel Filler Housing and Door.....	Fig. SKJ - 920

### Roof Panels

Roof Panel.....	Fig. SKJ - 1110
-----------------	-----------------

### Sunroof

Sunroof.....	Fig. SKJ - 1210
--------------	-----------------

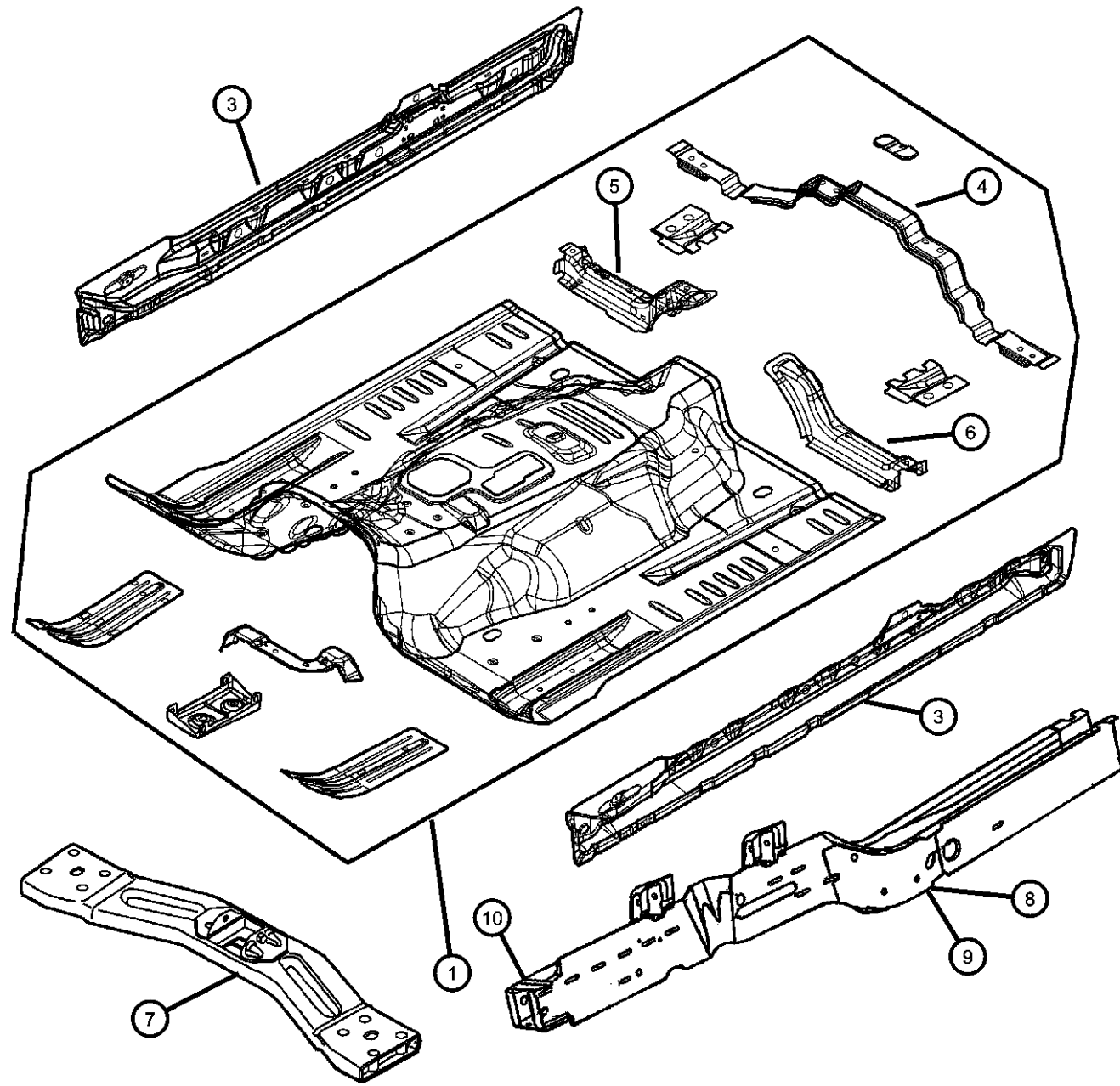
### Liftgate Panel

Swing Gate, Latch, and Hinges.....	Fig. SKJ - 1310
------------------------------------	-----------------

### Luggage Rack

Luggage Rack.....	Fig. SKJ - 1610
-------------------	-----------------

Front Floor Pan  
Figure SKJ-210



ITEM	PART NUMBER	QTY	LINE	SERIES	BODY	ENGINE	TRANS	TRIM	DESCRIPTION
1	55360589AH	1							PAN, Floor
-2	06507033AA	4							STUD
3									SILL, Body Side
	55176878AE	1							Right
	55176879AE	1							Left
4	56052085AA	1							CROSSMEMBER, Front Seat Retention, Rear
5	56052086AA	2							CROSSMEMBER, Front Seat Retention
6	56052087AA	2							CROSSMEMBER, Front Seat Retention
7	52129090AC	1							CROSSMEMBER, Transmission
8	05103422AA	1							RAIL, Front RightRight
9	05103423AA	1							RAIL, Front Left
10	55360168AA	1	J, T, U		74				BRACKET, Frame Rail
-11	55176760AB	1	J, T, U		74				BRACKET, Frame Rail, Crossmember to radiator bracket

LIBERTY (KJ)

SERIES      LINE  
H = HIGHLINE    T = JEEP - 2WD  
M = MEDIUM     J = JEEP - 4WD  
P = PREMIUM    U = JEEP - 4WD (RHD)

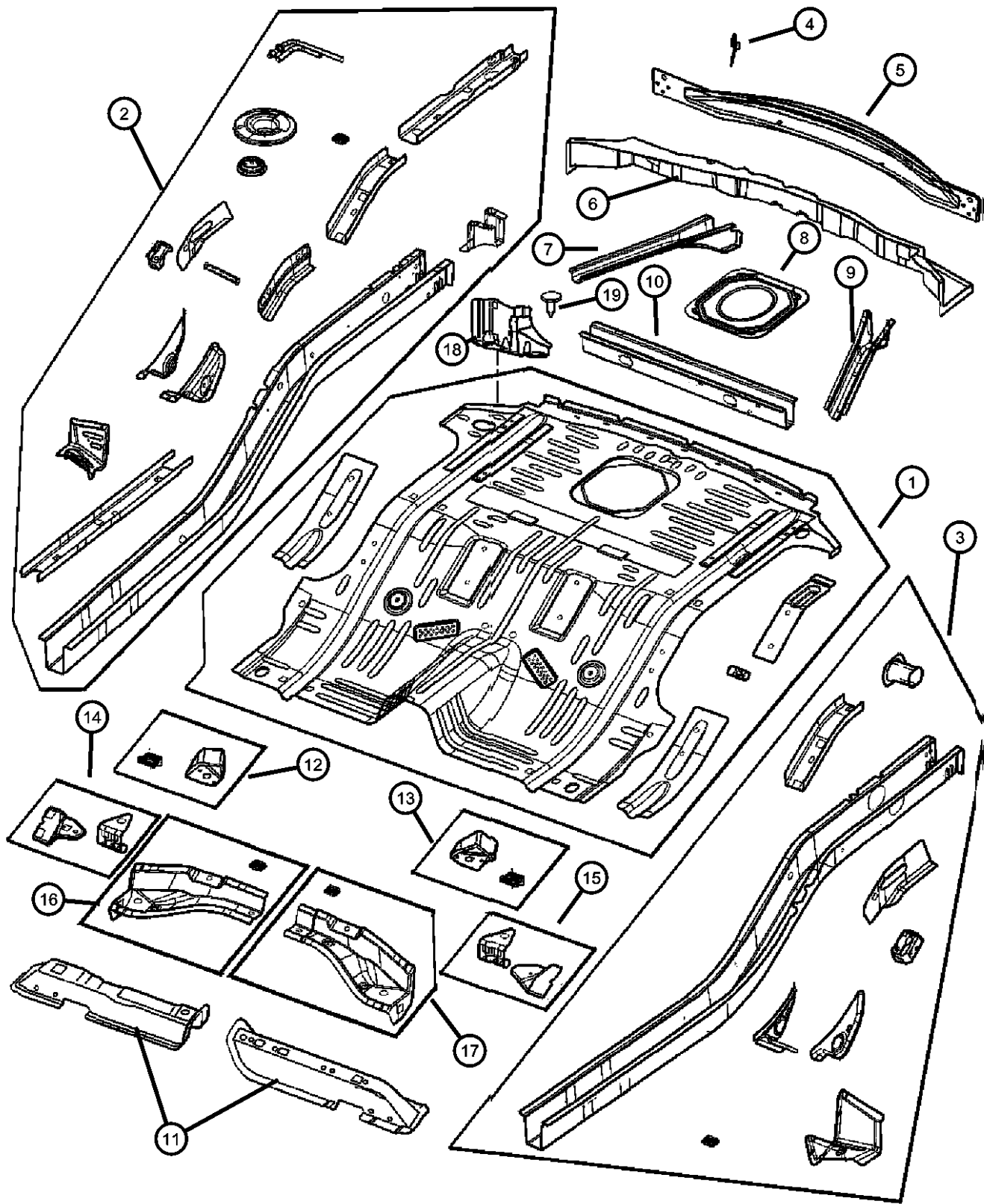
BODY  
74 = SPORT UTILITY 4-DR

ENGINE      TRANSMISSION  
EKG = 3.7L V6 Engine      DG6 = 4-Spd. Automatic 42RLE  
ENR = 2.8L 4 Cyl Turbo Diesel Engine      DGV = 4-Spd. Automatic VLP  
ENJ = 2.5L 4 Cyl 16V Turbo Diesel Engine      DGQ = 5-Spd Automatic 5-45RFE  
ED1 = 2.4L 4 Cyl DOHC 16v SMPI Engine      DEH = 6-Speed Manual NSG370  
Transmission  
DDD = 5-Speed HD Manual Transmission  
DDK = 5-Speed HD Manual Transmission

AR = use ase required - = Non illustrated part

2006 KJ

Rear Floor Pan  
Figure SKJ-220



ITEM	PART NUMBER	QTY	LINE	SERIES	BODY	ENGINE	TRANS	TRIM	DESCRIPTION
1	55360015AG	1							PAN, Floor
2	05080850AD	1							SILL, RearRight
3	05080851AC	1							SILL, RearLeft
4									BAFFLE, Air
	55360260AA	1							Right
	55360261AA	1							Left
5	55360371AC	1							REINFORCEMENT, Liftgate Opening
6	55176846AB	1							CROSSMEMBER, Floor Pan
7	56022913AB	1							SUPPORT, Fuel Tank
8	56022913AB	1							DOOR, Fuel Fill, (NOT SERVICED)
9	56022914AB	1							SUPPORT, Fuel TankRight
10	56022915AC	1							CROSSMEMBER, Floor Pan
11									CROSSMEMBER, Floor Pan
	55360062AB	1							Right
	55360063AB	1							Left
12	05073062AA	1							REINFORCEMENT, Rear Seat
13	05073063AA	1							REINFORCEMENT, Rear Seat
14	05073060AA	1							BRACKET, Control Arm
15	05073061AA	1							BRACKET, Control Arm
16	05073058AA	1							CROSSMEMBER, Rear Floor
17	05073059AA	1							CROSSMEMBER, Rear Floor
18									GUSSET, Side Member
	55360368AC	1							Right
	55360369AD	1							Left
19	06507345AA	4							PIN, Push

LIBERTY (KJ)

SERIES LINE  
H = HIGHLINE T = JEEP - 2WD  
M = MEDIUM J = JEEP - 4WD  
P = PREMIUM U = JEEP - 4WD (RHD)

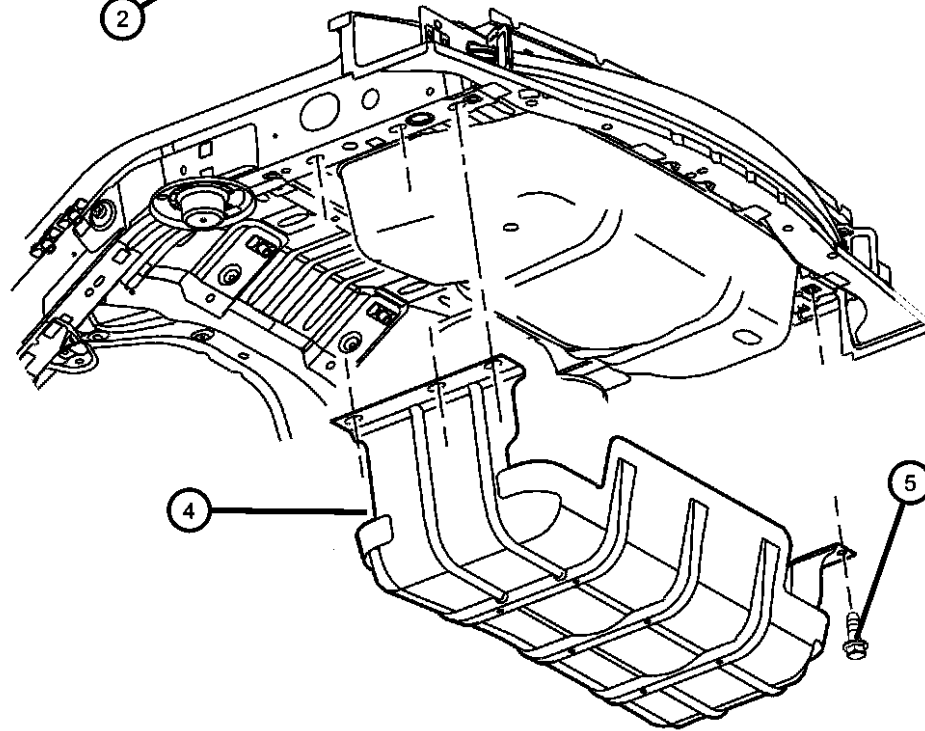
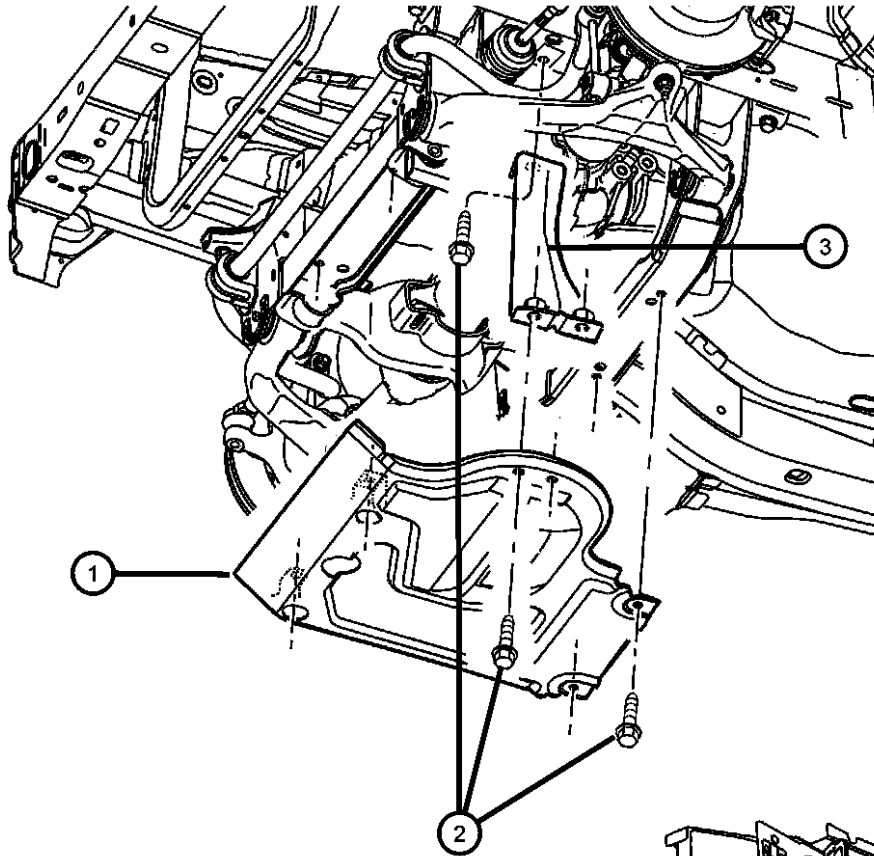
BODY  
74 = SPORT UTILITY 4-DR

ENGINE TRANSMISSION  
EKG = 3.7L V6 Engine DG6 = 4-Spd. Automatic 42RLE  
ENR = 2.8L 4 Cyl Turbo Diesel Transmission  
Engine DGV = 4-Spd. Automatic VLP  
ENJ = 2.5L 4 Cyl 16V Turbo Transmission  
Diesel Engine DGQ = 5-Spd Automatic 5-45RFE  
ED1 = 2.4L 4 Cyl DOHC 16v Transmission  
SMPI Engine DEH = 6-Speed Manual NSG370  
Transmission  
DDD = 5-Speed HD Manual  
Transmission  
DDK = 5-Speed HD Manual  
Transmission

AR = use ase required - = Non illustrated part

2006 KJ

Plates, Underbody Skid  
Figure SKJ-230



ITEM	PART NUMBER	QTY	LINE	SERIES	BODY	ENGINE	TRANS	TRIM	DESCRIPTION
1	52129092AA	1	J, U						SKID PLATE, Front
2	52129092AA	1							SCREW, M10x1.5x30, (NOT SERVICED)
3									BRACKET, Skid Plate
	52128544AA	1	J, U						Right
	52128545AA	1	J, U						Left
4	52100332AH	1							PLATE, Skid
5	06502557	6							BOLT, Hex Flange Head, M12x1.75x40

LIBERTY (KJ)

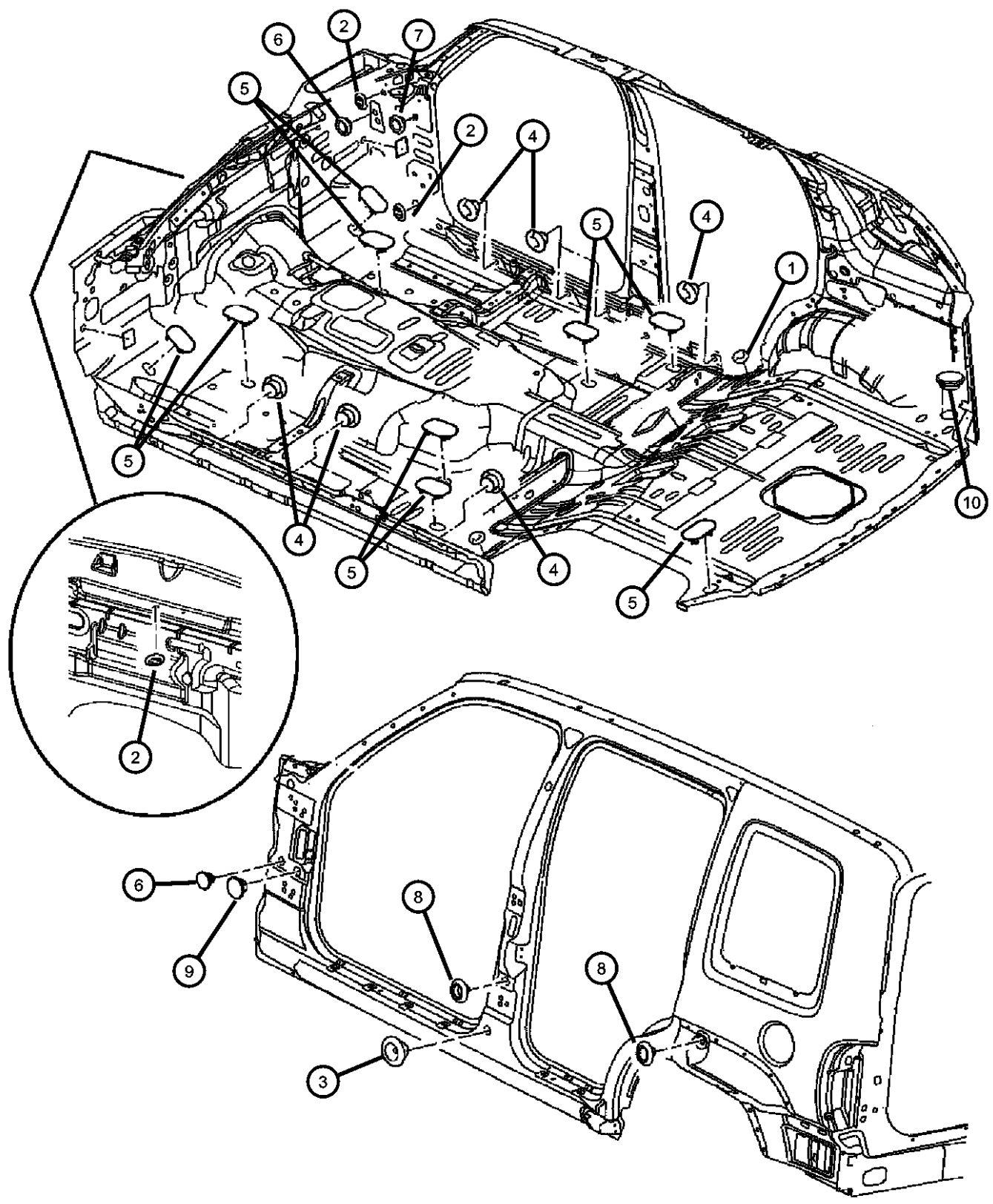
SERIES      LINE  
H = HIGHLINE    T = JEEP - 2WD  
M = MEDIUM     J = JEEP - 4WD  
P = PREMIUM    U = JEEP - 4WD (RHD)

BODY  
74 = SPORT UTILITY 4-DR

ENGINE      TRANSMISSION  
EKG = 3.7L V6 Engine      DG6 = 4-Spd. Automatic 42RLE  
ENR = 2.8L 4 Cyl Turbo Diesel Engine      DGV = 4-Spd. Automatic VLP  
ENJ = 2.5L 4 Cyl 16V Turbo Diesel Engine      DGQ = 5-Spd Automatic 5-45RFE  
ED1 = 2.4L 4 Cyl DOHC 16v SMPI Engine      DEH = 6-Speed Manual NSG370  
Transmission  
DDD = 5-Speed HD Manual Transmission  
DDK = 5-Speed HD Manual Transmission

AR = use ase required - = Non illustrated part

Plugs  
Figure SKJ-310

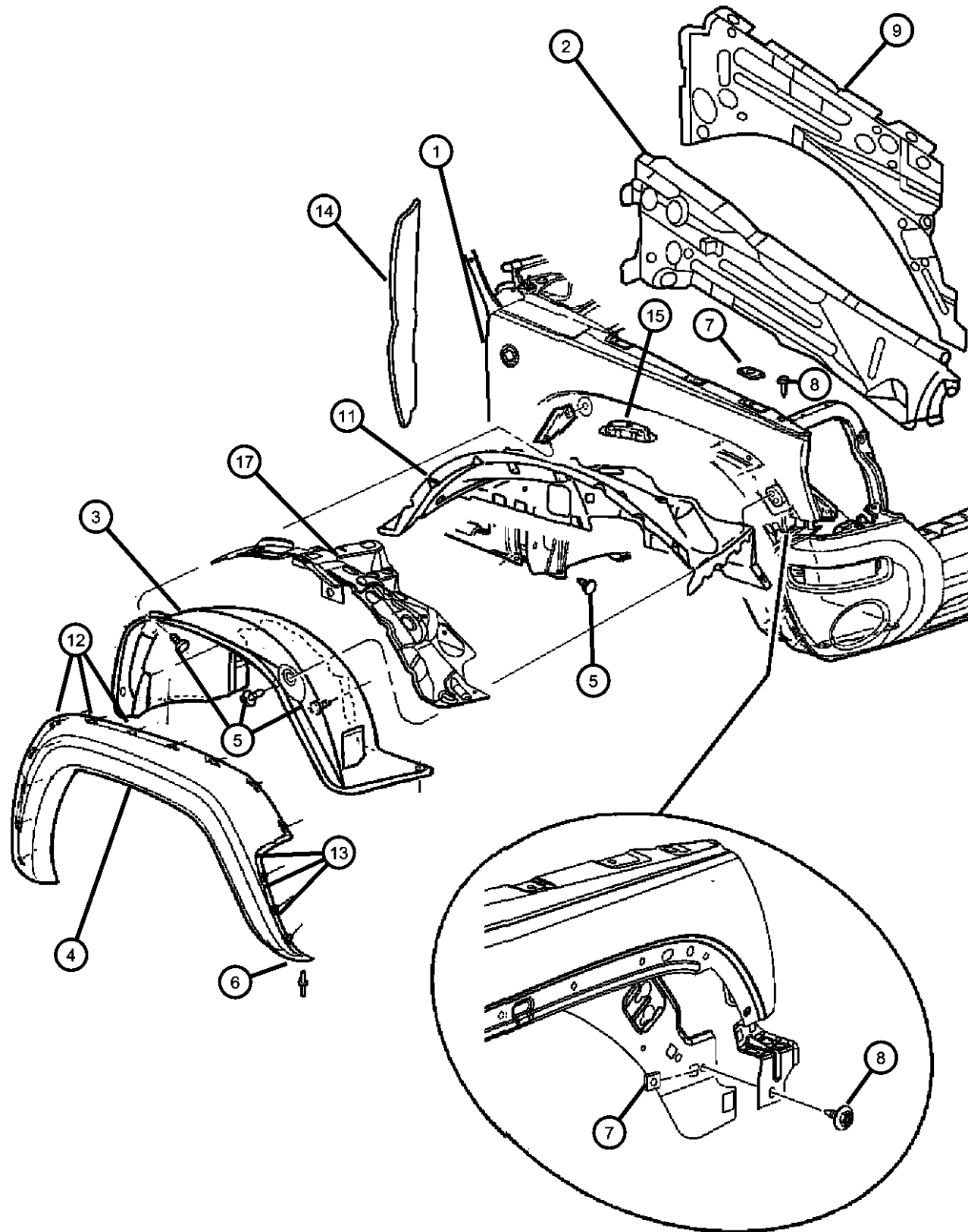


ITEM	PART NUMBER	QTY	LINE	SERIES	BODY	ENGINE	TRANS	TRIM	DESCRIPTION
1	04780615AB	2							PLUG, Body, .75 DiameterRear Floor Pan
2	04716933	2							PLUG, Body Side Aperture
3	55257380AD	2							PLUG
4	04780615AB	8							PLUG, Body, .75 Diameter
5	55360966AA	6							PLUG, Floor Pan
6	55136859AB	2							PLUG, Plastic, Expandable
7	04780615AB	2							PLUG, Body, .75 Diameter
8	55176729AA	4							PLUG
9	55176729AA	4							PLUG, Plastic Expandable, 25mm, (NOT SERVICED)
10	56010048AB	1							PLUG

<b>LIBERTY (KJ)</b>				
SERIES	LINE	BODY	ENGINE	TRANSMISSION
H = HIGHLINE	T = JEEP - 2WD	74 = SPORT UTILITY 4-DR	EKG = 3.7L V6 Engine	DG6 = 4-Spd. Automatic 42RLE
M = MEDIUM	J = JEEP - 4WD		ENR = 2.8L 4 Cyl Turbo Diesel Engine	Transmission
P = PREMIUM	U = JEEP - 4WD (RHD)		ENJ = 2.5L 4 Cyl 16V Turbo Diesel Engine	DGV = 4-Spd. Automatic VLP
			ED1 = 2.4L 4 Cyl DOHC 16v SMPI Engine	Transmission
				DGQ = 5-Spd Automatic 5-45RFE
				Transmission
				DEH = 6-Speed Manual NSG370
				Transmission
				DDD = 5-Speed HD Manual
				Transmission
				DDK = 5-Speed HD Manual
				Transmission

AR = use ase required - = Non illustrated part

Front Fender  
Figure SKJ-410



ITEM	PART NUMBER	QTY	LINE	SERIES	BODY	ENGINE	TRANS	TRIM	DESCRIPTION
1	55360598AA	1							FENDER, Front Right
	55360599AA	1							Left
2	55177414AF	1							REINFORCEMENT, Fender Right
	55177415AF	1							Left
3	55156790AD	1							LINER, Front Fender Right
	55156791AD	1							Left
	55157144AD	1							With Diesel Engine, Right
	55157145AD	1							With Diesel Engine, Left
4	5JH42TZZAE	1							APPLIQUE, Fender Wheel Opening [K5],Paint as Required, Right
	5JH43TZZAE	1							[K5],Paint as Required, Left
	5JH46BDLAE	1							[K3L], Right
	5JH47BDLAE	1							[K3L], Left
	5JR68CD7AG	1							[K8P], Right
	5JR68CJMAG	1							[K8E], Right
	5JR69CD7AG	1							[K8P], Left
	5JR69CJMAG	1							[K8E], Left
5	06036155AA	8							PIN, Push
6	06506007AA	8							RIVET
7	06504118	6							U-NUT, M6 x 1.00, M6x1.00
8	06505903AA	2							SCREW AND WASHER, Self Tapping, M6x1x22
9	55177016AG	1							PANEL, Fender, Inner Right
	55177017AG	1							Left
-10	55360428AB	1							BRACKET, Ballstud, Gas Prop Mounting Right

LIBERTY (KJ)

SERIES      LINE  
H = HIGHLINE    T = JEEP - 2WD  
M = MEDIUM      J = JEEP - 4WD  
P = PREMIUM      U = JEEP - 4WD (RHD)

BODY  
74 = SPORT UTILITY 4-DR

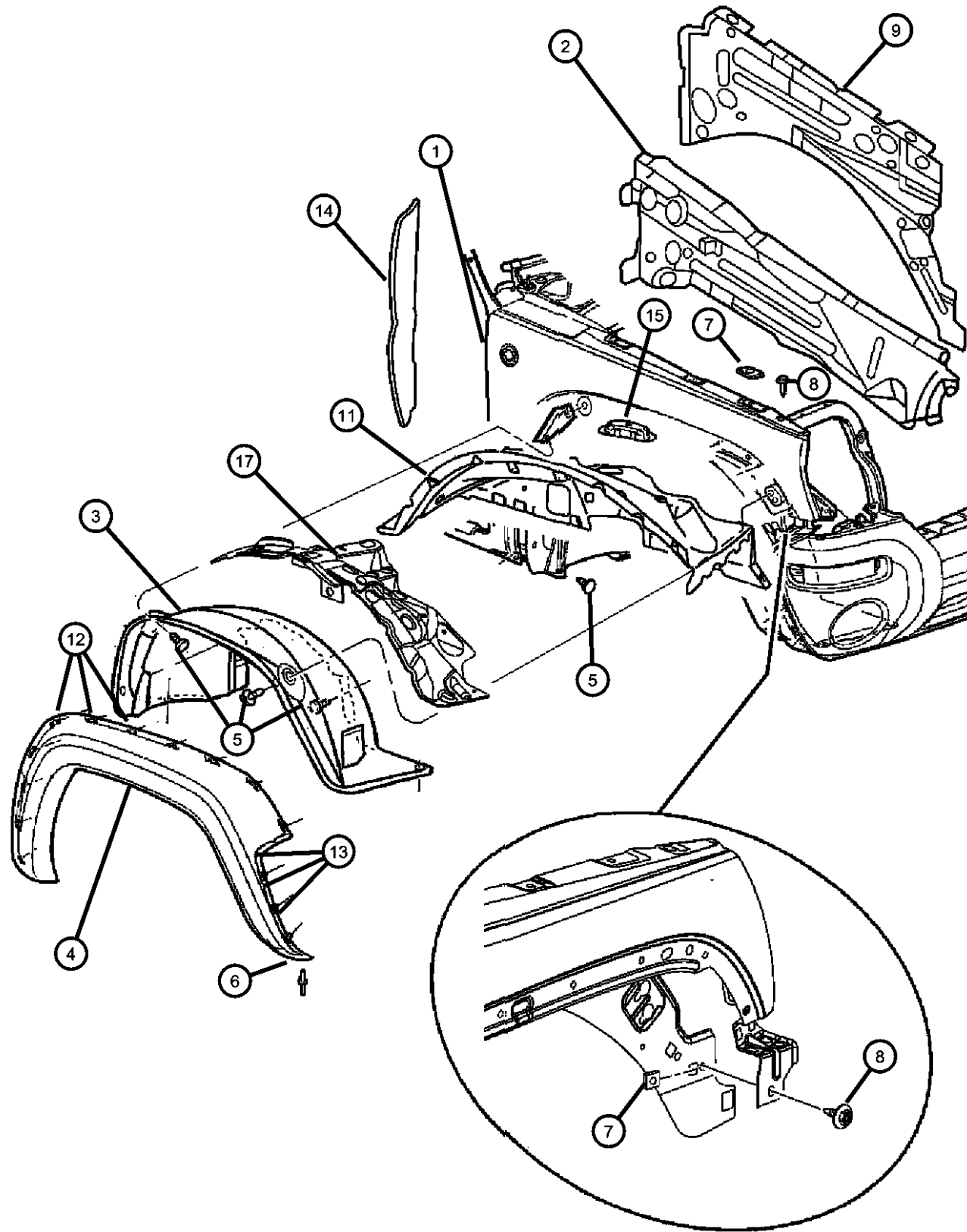
ENGINE      TRANSMISSION  
EKG = 3.7L V6 Engine      DG6 = 4-Spd. Automatic 42RLE  
ENR = 2.8L 4 Cyl Turbo Diesel Engine      DG7 = 4-Spd. Automatic VLP  
ENJ = 2.5L 4 Cyl 16V Turbo Diesel Engine      DGQ = 5-Spd Automatic 5-45RFE  
ED1 = 2.4L 4 Cyl DOHC 16v SMPI Engine      DEH = 6-Speed Manual NSG370  
Transmission  
DDD = 5-Speed HD Manual Transmission  
DDK = 5-Speed HD Manual Transmission

AR = use ase required - = Non illustrated part

2006 KJ



Front Fender  
Figure SKJ-410



ITEM	PART NUMBER	QTY	LINE	SERIES	BODY	ENGINE	TRANS	TRIM	DESCRIPTION
	55360429AB	1							Left
11									WHEELHOUSE, Front Inner
	55176858AL	1							Right
	55176859AN	1							Left
12	55157055AA	5							PIN, Push
13	55156429AA	2							RETAINER, Applique
14	55360718AA	2							SEAL, Fender To Cowl
15	55360201AC	1							CUP, Jounce Bumper
-16	55197186AC	2							SILENCER, Fender Side
17									SILENCER, Shock Tower
	55197150AC	1							Right
	55197151AE	1							Left

LIBERTY (KJ)

SERIES      LINE  
H = HIGHLINE    T = JEEP - 2WD  
M = MEDIUM     J = JEEP - 4WD  
P = PREMIUM    U = JEEP - 4WD (RHD)

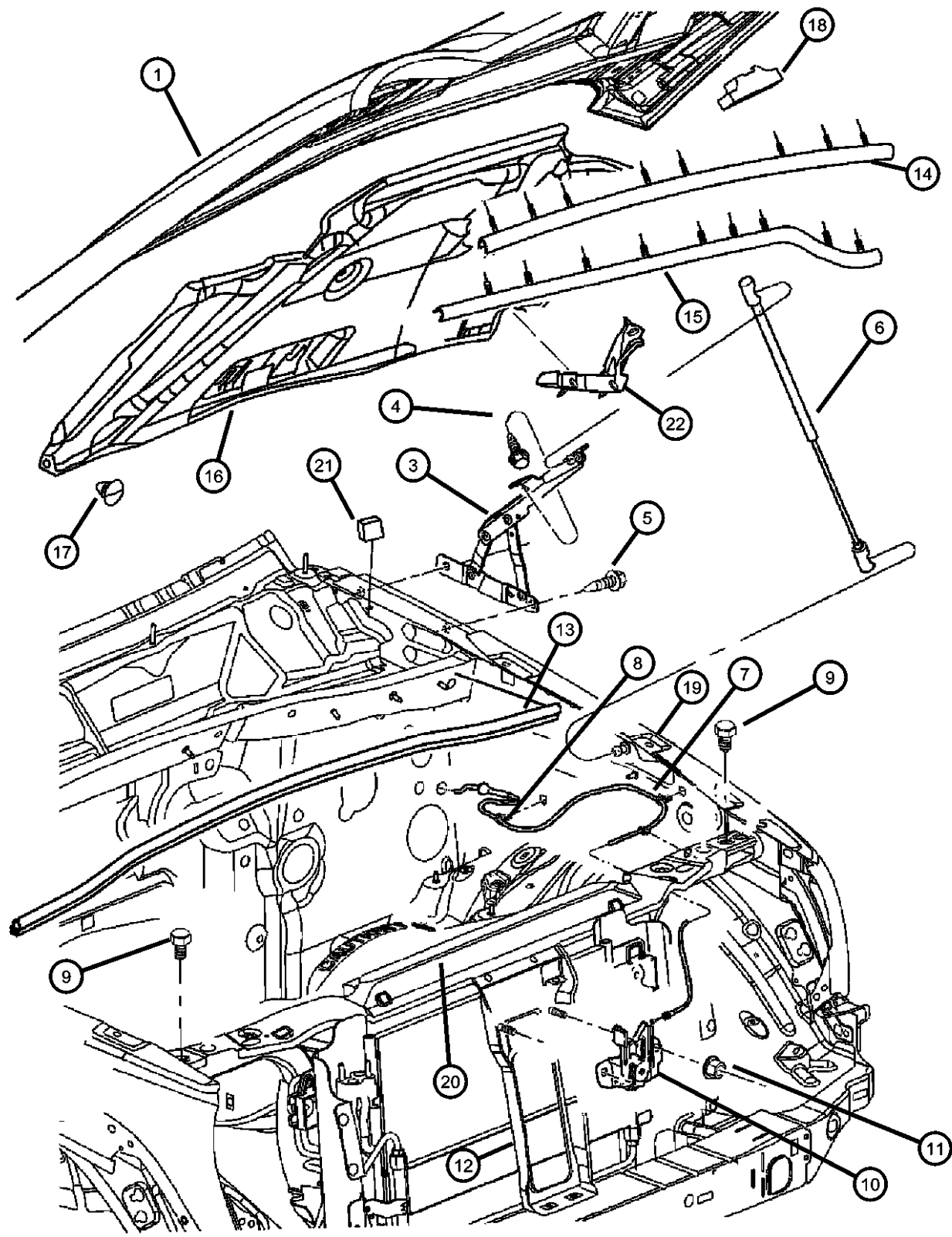
BODY  
74 = SPORT UTILITY 4-DR

ENGINE      TRANSMISSION  
EKG = 3.7L V6 Engine      DG6 = 4-Spd. Automatic 42RLE  
ENR = 2.8L 4 Cyl Turbo Diesel      Transmission  
Engine      DGV = 4-Spd. Automatic VLP  
ENJ = 2.5L 4 Cyl 16V Turbo      Transmission  
Diesel Engine      DGQ = 5-Spd Automatic 5-45RFE  
ED1 = 2.4L 4 Cyl DOHC 16v      Transmission  
SMPI Engine      DEH = 6-Speed Manual NSG370  
Transmission  
DDD = 5-Speed HD Manual  
Transmission  
DDK = 5-Speed HD Manual  
Transmission

AR = use ase required - = Non illustrated part

2006 KJ

### Hood, Latch and Hinges Figure SKJ-510

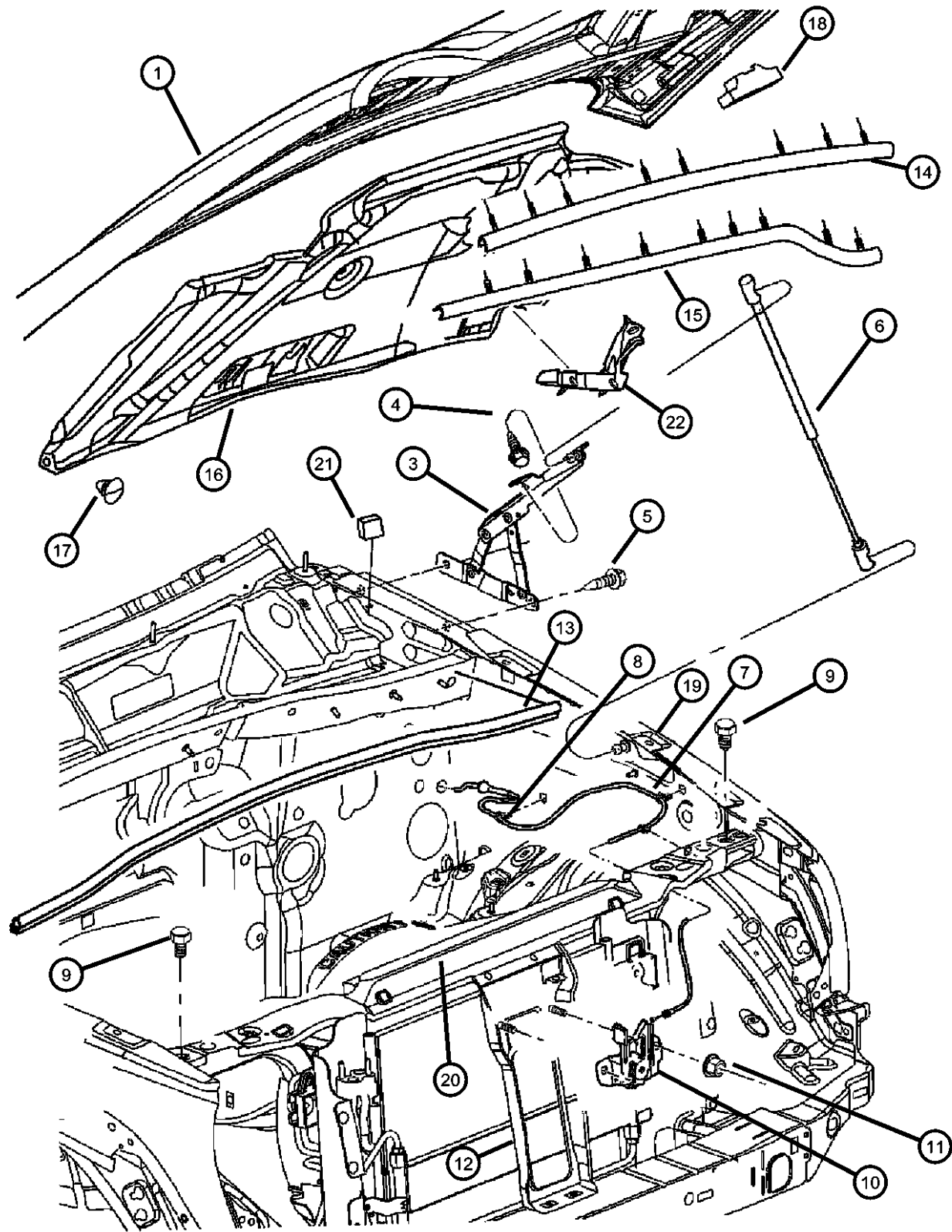


ITEM	PART NUMBER	QTY	LINE	SERIES	BODY	ENGINE	TRANS	TRIM	DESCRIPTION
1	55177200AF	1							HOOD
	55360667AD	1							Series 'M'
-2	55360976AA	2							BUMPER, Hood, Overslam, These are on the front corners of the hood [Small]
3	55176928AE	1							HINGE, Hood Right
	55176929AC	1							Left
4	55176929AC	1							SCREW AND WASHER, Hex Head, M6X1.00X19.00, (NOT SERVICED)
5	06505940AA	4							SCREW, M8-1.25
6	55360411AC	2							PROP, Hood
7	55360280AF	1							CABLE, Hood Release
8	04814094	2							CLIP, Hood Latch Release
9	04696592	2							BUMPER, Hood
10	55176926AC	1							LATCH, Hood
11	06503102	2							NUT AND WASHER, Hex Nut-Coned Washer, M6 x 1.00
12	55360681AB	1							REINFORCEMENT, Hood Latch Series 'M'
	55360694AB	1							
13	55360717AA	1							SEAL, Hood To Cowl
14	55360714AB	1							SEAL, Hood To Radiator
15	55360715AB	1							SEAL, Hood
16	55352746AG	1							INSULATION, Hood
17	06504135	9							PIN, Push In, M6.3x15 LG
18	55360258AB	2							SEAL, Hood To Plenum
19	55360428AB	1							BRACKET, Ballstud Right
	55360429AB	1							Left
20	55176763AG	1							CROSSMEMBER, Radiator

<b>LIBERTY (KJ)</b>				
SERIES	LINE	BODY	ENGINE	TRANSMISSION
H = HIGHLINE	T = JEEP - 2WD	74 = SPORT UTILITY 4-DR	EKG = 3.7L V6 Engine	DG6 = 4-Spd. Automatic 42RLE
M = MEDIUM	J = JEEP - 4WD		ENR = 2.8L 4 Cyl Turbo Diesel Engine	Transmission
P = PREMIUM	U = JEEP - 4WD (RHD)		ENJ = 2.5L 4 Cyl 16V Turbo Diesel Engine	DGV = 4-Spd. Automatic VLP
			ED1 = 2.4L 4 Cyl DOHC 16v SMPI Engine	Transmission
				DGQ = 5-Spd Automatic 5-45RFE
				Transmission
				DEH = 6-Speed Manual NSG370
				Transmission
				DDD = 5-Speed HD Manual
				Transmission
				DDK = 5-Speed HD Manual
				Transmission

AR = use ase required - = Non illustrated part

Hood, Latch and Hinges  
Figure SKJ-510



ITEM	PART NUMBER	QTY	LINE	SERIES	BODY	ENGINE	TRANS	TRIM	DESCRIPTION
21	55360542AD	1							SEAL, A-Pillar Blocker Right
	55360543AD	1							Left
22	55360551AC	1							SEAL, Air Inlet

LIBERTY (KJ)

SERIES      LINE  
H = HIGHLINE    T = JEEP - 2WD  
M = MEDIUM     J = JEEP - 4WD  
P = PREMIUM    U = JEEP - 4WD (RHD)

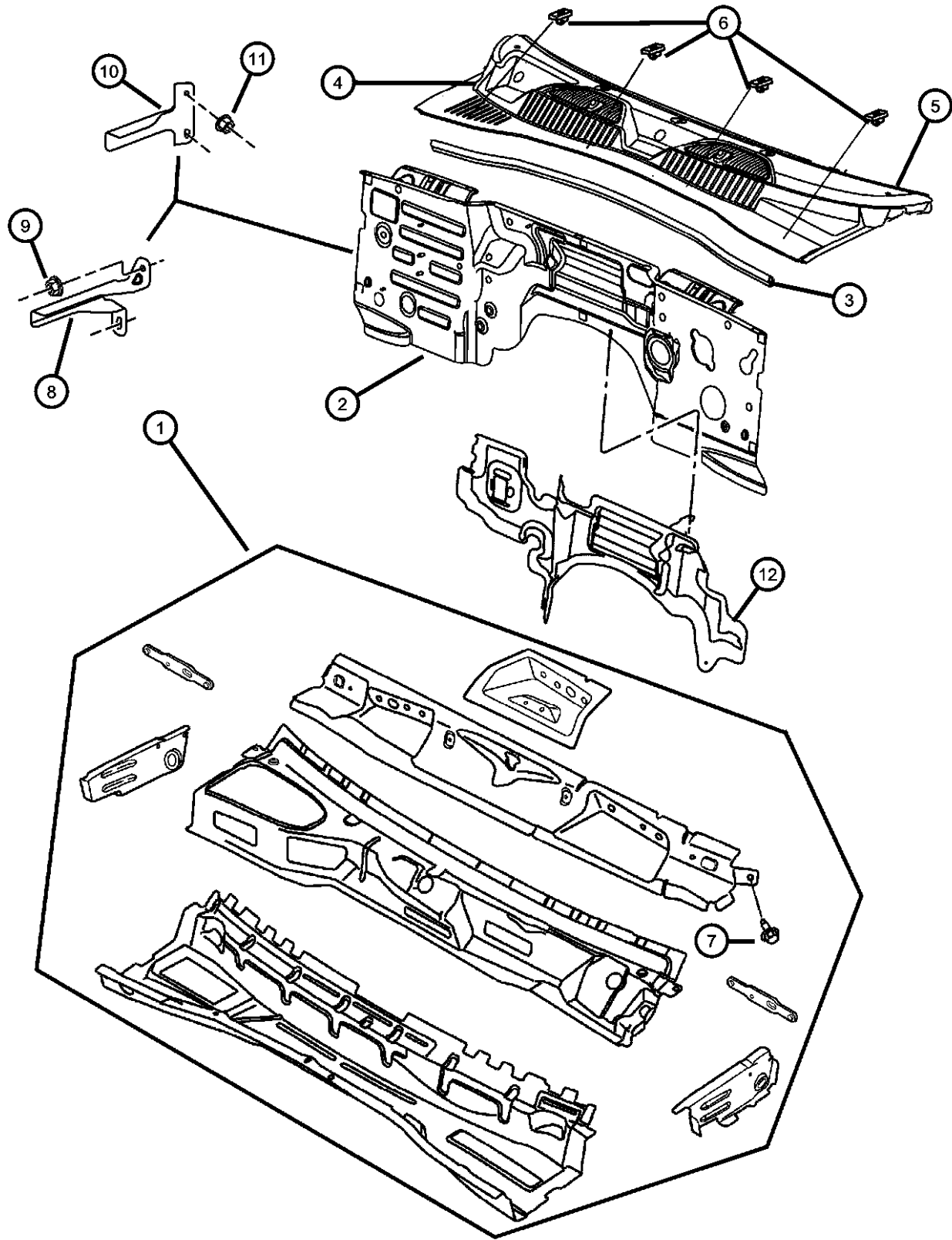
BODY  
74 = SPORT UTILITY 4-DR

ENGINE      TRANSMISSION  
EKG = 3.7L V6 Engine      DG6 = 4-Spd. Automatic 42RLE  
ENR = 2.8L 4 Cyl Turbo Diesel      Transmission  
Engine      DGV = 4-Spd. Automatic VLP  
ENJ = 2.5L 4 Cyl 16V Turbo      Transmission  
Diesel Engine      DGQ = 5-Spd Automatic 5-45RFE  
ED1 = 2.4L 4 Cyl DOHC 16v      Transmission  
SMPI Engine      DEH = 6-Speed Manual NSG370  
Transmission  
DDD = 5-Speed HD Manual  
Transmission  
DDK = 5-Speed HD Manual  
Transmission

AR = use ase required - = Non illustrated part

2006 KJ

**Cowl and Dash Panel  
Figure SKJ-610**



ITEM	PART NUMBER	QTY	LINE	SERIES	BODY	ENGINE	TRANS	TRIM	DESCRIPTION
1	55176767AE	1	J, T						PANEL, Plenum Complete
	55176776AD	1	U						
2	55177300AF	1	J, T						PANEL, Dash
	55177350AD	1	U						
3	55360717AA	1							SEAL, Hood To Cowl
4	55155850AJ	1	U						COVER, Cowl Grille
	55155851AJ	1	J, T						
5	05071165AA	1	J, T						SEAL, Cowl Screen To Windshield
6	06501925	4							PIN, Push
7	06503328	4							SCREW, Hex Head, M8x1.25x30
8	55360203AA	1	U						BRACKET, Coolant Recovery Bottle, RHD
9	06101467	2	U						NUT, Hex Flange, M8x1.25, RHD
10	55360202AA	1	J, T						BRACKET, Coolant Recovery Bottle
11	06104725AA	2	J, T						NUT AND WASHER, M6x1
12	55352847AD	1	J, T						INSULATION, Dash Panel

**LIBERTY (KJ)**

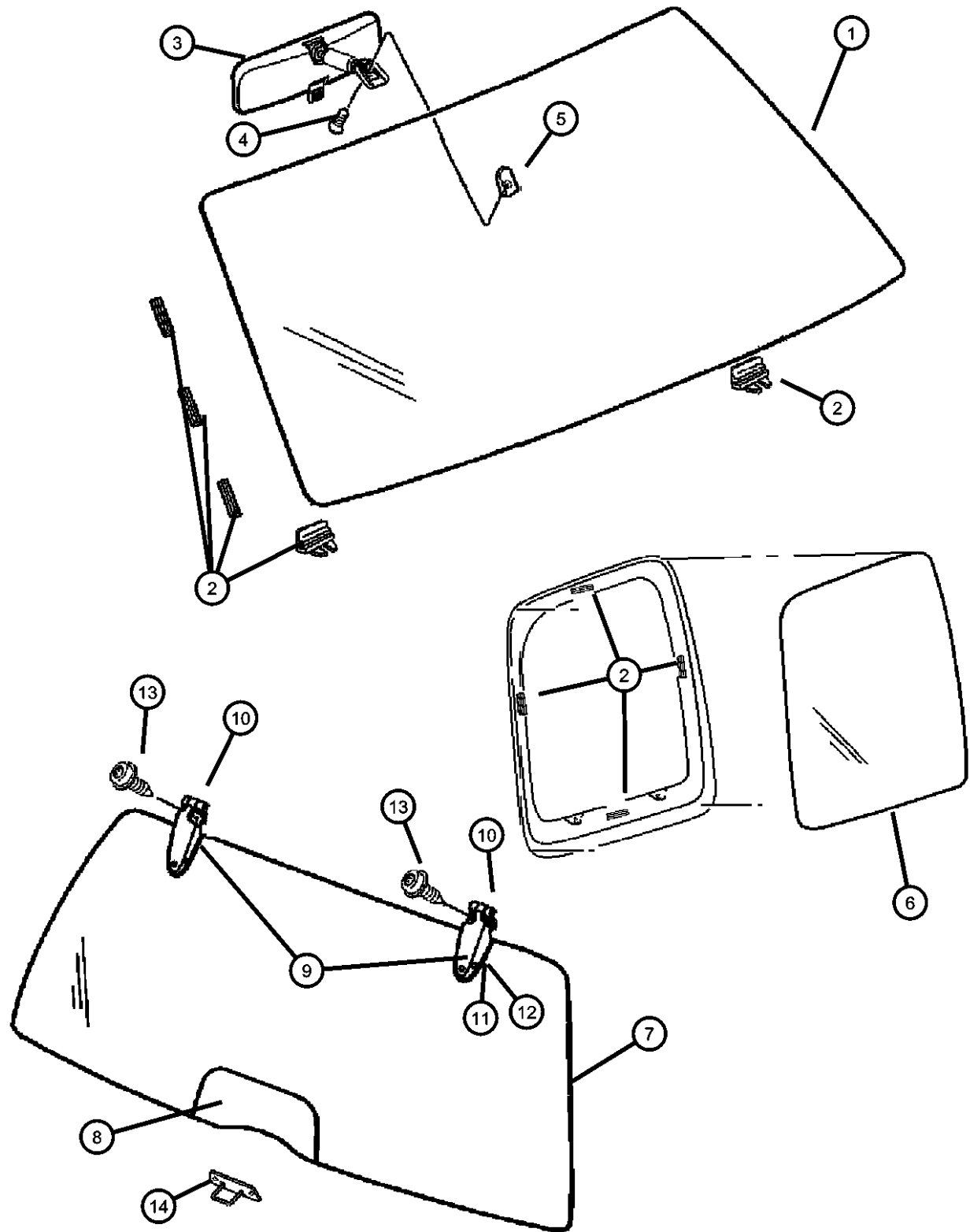
SERIES      LINE  
H = HIGHLINE    T = JEEP - 2WD  
M = MEDIUM     J = JEEP - 4WD  
P = PREMIUM    U = JEEP - 4WD (RHD)

BODY  
74 = SPORT UTILITY 4-DR

ENGINE      TRANSMISSION  
EKG = 3.7L V6 Engine      DG6 = 4-Spd. Automatic 42RLE  
ENR = 2.8L 4 Cyl Turbo Diesel Engine      DGV = 4-Spd. Automatic VLP  
ENJ = 2.5L 4 Cyl 16V Turbo Diesel Engine      DGQ = 5-Spd Automatic 5-45RFE  
ED1 = 2.4L 4 Cyl DOHC 16v SMPI Engine      DEH = 6-Speed Manual NSG370  
Transmission  
DDD = 5-Speed HD Manual Transmission  
DDK = 5-Speed HD Manual Transmission

AR = use ase required - = Non illustrated part

**Windshield, Quarter Window, Backlite and Mirror**  
**Figure SKJ-710**



ITEM	PART NUMBER	QTY	LINE	SERIES	BODY	ENGINE	TRANS	TRIM	DESCRIPTION
------	-------------	-----	------	--------	------	--------	-------	------	-------------

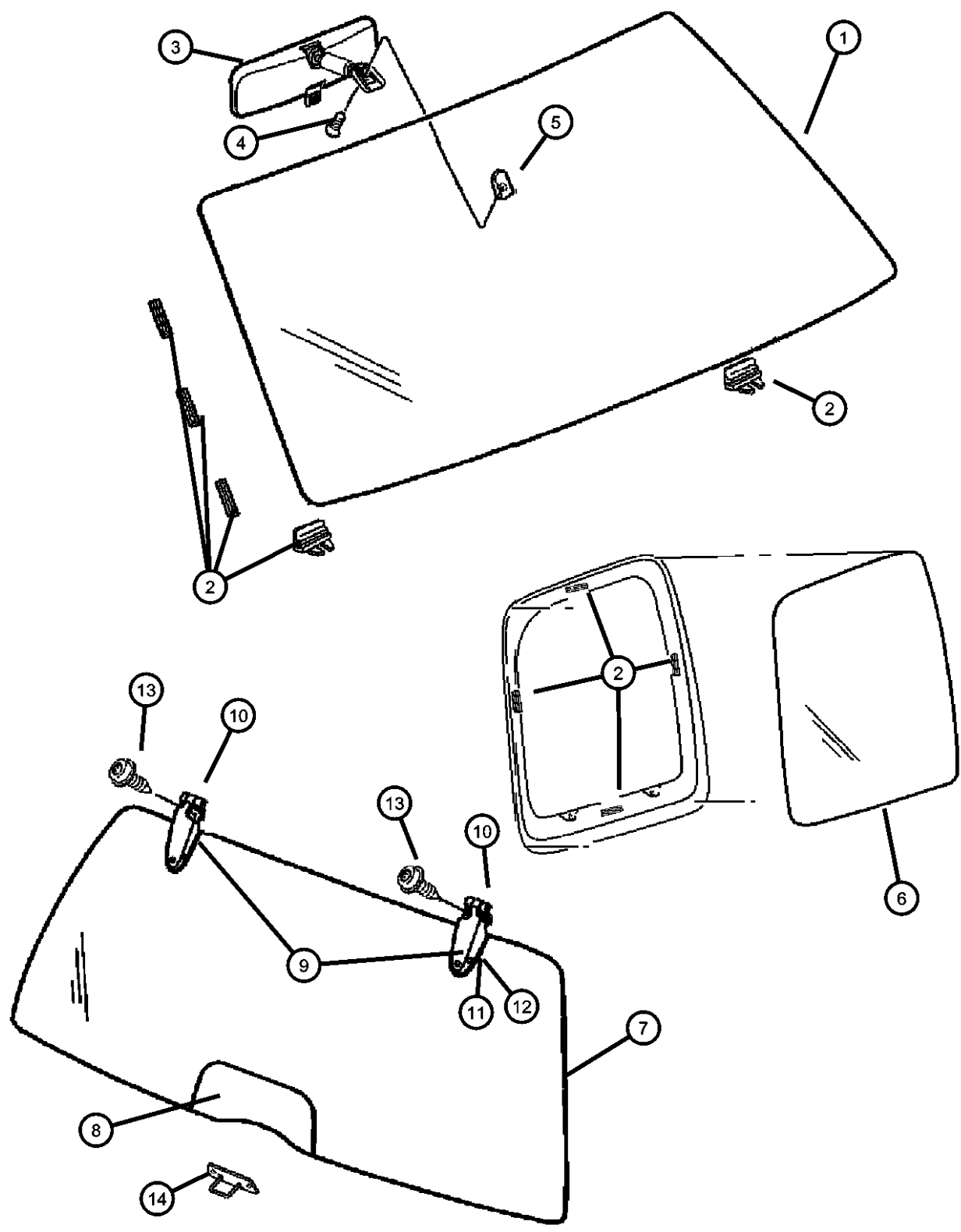
Sales Codes:  
 [GNA] = Rear View Day/Night  
 [GNK] = Rear View Auto Dim  
 [RSP] Uconnect Hands Free Communication

1	05093459AD DW01511GTN	1							WINDSHIELD, 30-Lite Collision Replacement Glass
2	55360509AA	4							SPACER
3	04805332AC 04805572AC 05064017AD	1 1 1							MIRROR, Inside Rear View [GNA] Day/Night [GKN] Auto Dim [GNK] Auto Dim and [RSP] Iconnect Hands Free Communication
4	05073472AA	1							SCREW
5	55076401	1							BUTTON, Rear View Mirror
6	55235920AD DQ09988GTN 55235921AD DQ09989GTN 55235922AE DQ10729YPN 55235923AE DQ10730YPN 55360054AD Q09990G-EM 55360056AE Q10067Y-EM	1 1 1 1 1 1 1 1 1 1 1 1							GLASS, Quarter Tinted, Right Collision Replacement Glass Tinted, Left Collision Replacement Glass Privacy, Right Collision Replacement Glass Privacy, Left Collision Replacement Glass Tinted, With Antenna, Export, Right Collision Replacement Glass Privacy,With Antenna,Export, Right Collision Replacement Glass
7	55360340AV DB10570GTY	1 1							BACKLITE Tinted Collision Replacement Glass

LIBERTY (KJ)		BODY	ENGINE	TRANSMISSION
SERIES	LINE	74 = SPORT UTILITY 4-DR	EKG = 3.7L V6 Engine ENR = 2.8L 4 Cyl Turbo Diesel Engine ENJ = 2.5L 4 Cyl 16V Turbo Diesel Engine ED1 = 2.4L 4 Cyl DOHC 16V SMPI Engine	DG6 = 4-Spd. Automatic 42RLE Transmission DGV = 4-Spd. Automatic VLP Transmission DGQ = 5-Spd Automatic 5-45RFE Transmission DEH = 6-Speed Manual NSG370 Transmission DDD = 5-Speed HD Manual Transmission DDK = 5-Speed HD Manual Transmission
H = HIGHLINE M = MEDIUM P = PREMIUM	T = JEEP - 2WD J = JEEP - 4WD U = JEEP - 4WD (RHD)			

AR = use ase required - = Non illustrated part

**Windshield, Quarter Window, Backlite and Mirror**  
**Figure SKJ-710**

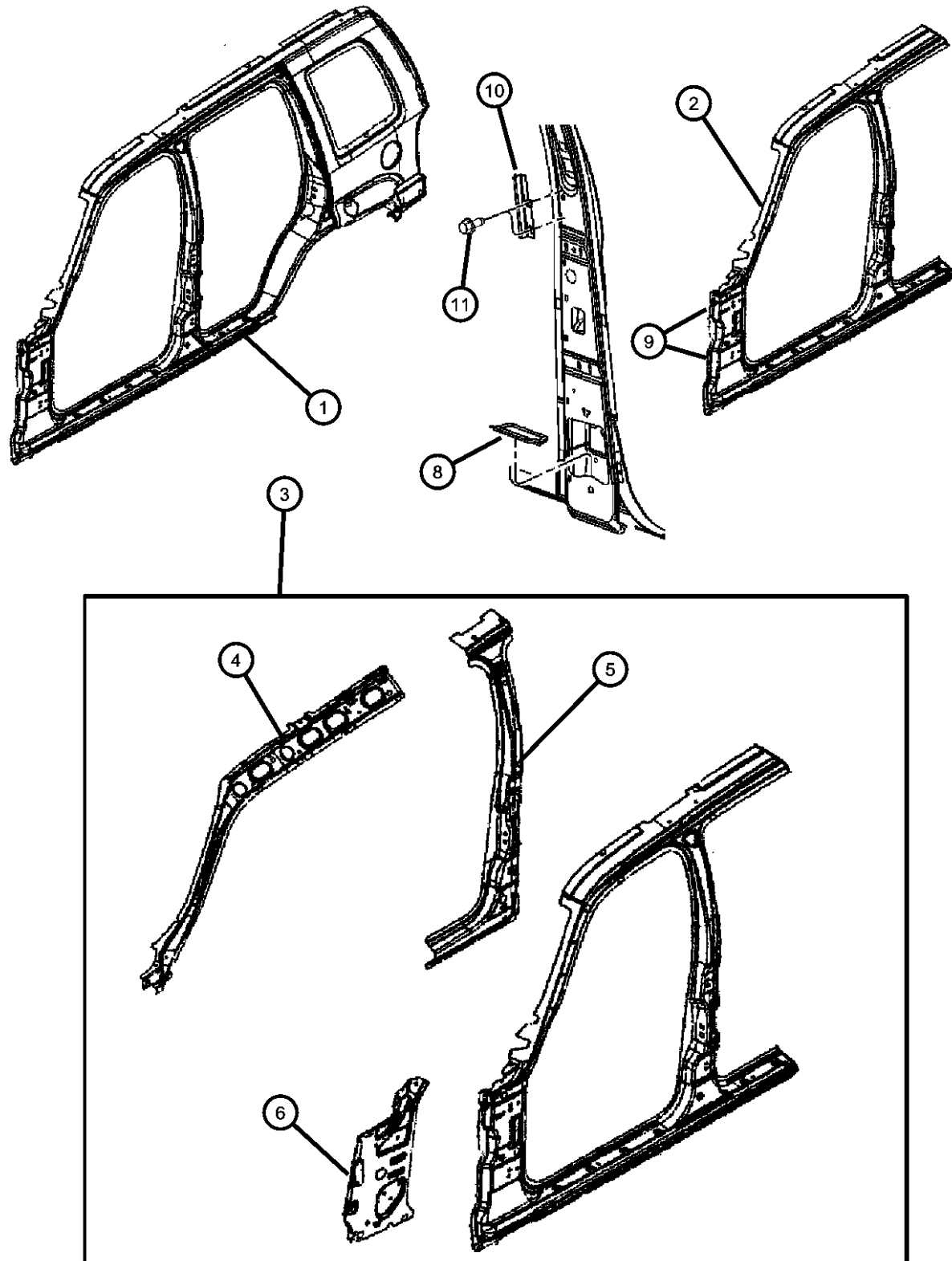


ITEM	PART NUMBER	QTY	LINE	SERIES	BODY	ENGINE	TRANS	TRIM	DESCRIPTION
	55360342AV	1							Privacy
	DB10571YPY								Collision Replacement Glass
8	55360709AA	1							PAD, Flipper Glass
9									COVER, Hinge
	55360366AE	1							Right
	55360367AE	1							Left
10									HINGE, Liftglass
	55360216AF	1							Right
	55360217AF	1							Left
11	55296025	2							SCREW, Special Head, M6x1x12.7
12	55075164	4							GASKET, Liftgate Hinge
13	06507883AA	4							SCREW, M5x.8x22.50
14	06507883AA	4							STRIKER, Liftgate Glass, Service with Backlite, (NOT SERVICED)
-15	06504513	6							NUT AND WASHER, Hex Nut-Coned Washer, M6 x 1.00
-16									LABEL, Flipper Glass
	55360573AA	1							Use With Tinted Glass, French
	55360582AA	1							Use With Privacy Glass, French
	55360583AA	1							Use With Privacy Glass, Arabic
-17	55360561AA	1							TAPE, Anti-Squeak

<b>LIBERTY (KJ)</b>				
SERIES	LINE	BODY	ENGINE	TRANSMISSION
H = HIGHLINE	T = JEEP - 2WD	74 = SPORT UTILITY 4-DR	EKG = 3.7L V6 Engine	DG6 = 4-Spd. Automatic 42RLE
M = MEDIUM	J = JEEP - 4WD		ENR = 2.8L 4 Cyl Turbo Diesel Engine	Transmission
P = PREMIUM	U = JEEP - 4WD (RHD)		ENJ = 2.5L 4 Cyl 16V Turbo Diesel Engine	DGV = 4-Spd. Automatic VLP
			ED1 = 2.4L 4 Cyl DOHC 16v SMPI Engine	Transmission
				DGQ = 5-Spd Automatic 5-45RFE
				Transmission
				DEH = 6-Speed Manual NSG370
				Transmission
				DDD = 5-Speed HD Manual
				Transmission
				DDK = 5-Speed HD Manual
				Transmission

AR = use ase required - = Non illustrated part

Panels, Body Side  
Figure SKJ-810



ITEM	PART NUMBER	QTY	LINE	SERIES	BODY	ENGINE	TRANS	TRIM	DESCRIPTION
1	55176962AG	1							APERTURE, Body Side, Complete Outer Right
	55176963AG	1							Left
2	05170004AA	1							PANEL PACKAGE, Body Side Aperture Front, Front Outer Only Right
	05170005AA	1							Left
3	05170006AC	1							PANEL PACKAGE, Body Side Aperture Front, Complete Inner and Outer Front Right
	05170007AC	1							Left
4	55176960AL	1							REINFORCEMENT, Front Pillar, Includes Roof Header Support Right
	55176961AL	1							Left
5	55176966AH	1							REINFORCEMENT, Center Pillar Inner Right
	55176967AH	1							Left
6	55177400AD	1							PANEL, Cowl Right
	55177401AD	1							Left
-7	06507016AA	AR							STUD
8	55360196AE	1							BAFFLE, B Pillar Right
	55360197AE	1							Left
9	55360233AC	4							TAPPING PLATE, Door Hinge
10	55352862AA	1							BRACKET, Offset Impact Right
	55352863AA	1							Left
11	06101945	4							SCREW

LIBERTY (KJ)

SERIES LINE  
H = HIGHLINE T = JEEP - 2WD  
M = MEDIUM J = JEEP - 4WD  
P = PREMIUM U = JEEP - 4WD (RHD)

BODY  
74 = SPORT UTILITY 4-DR

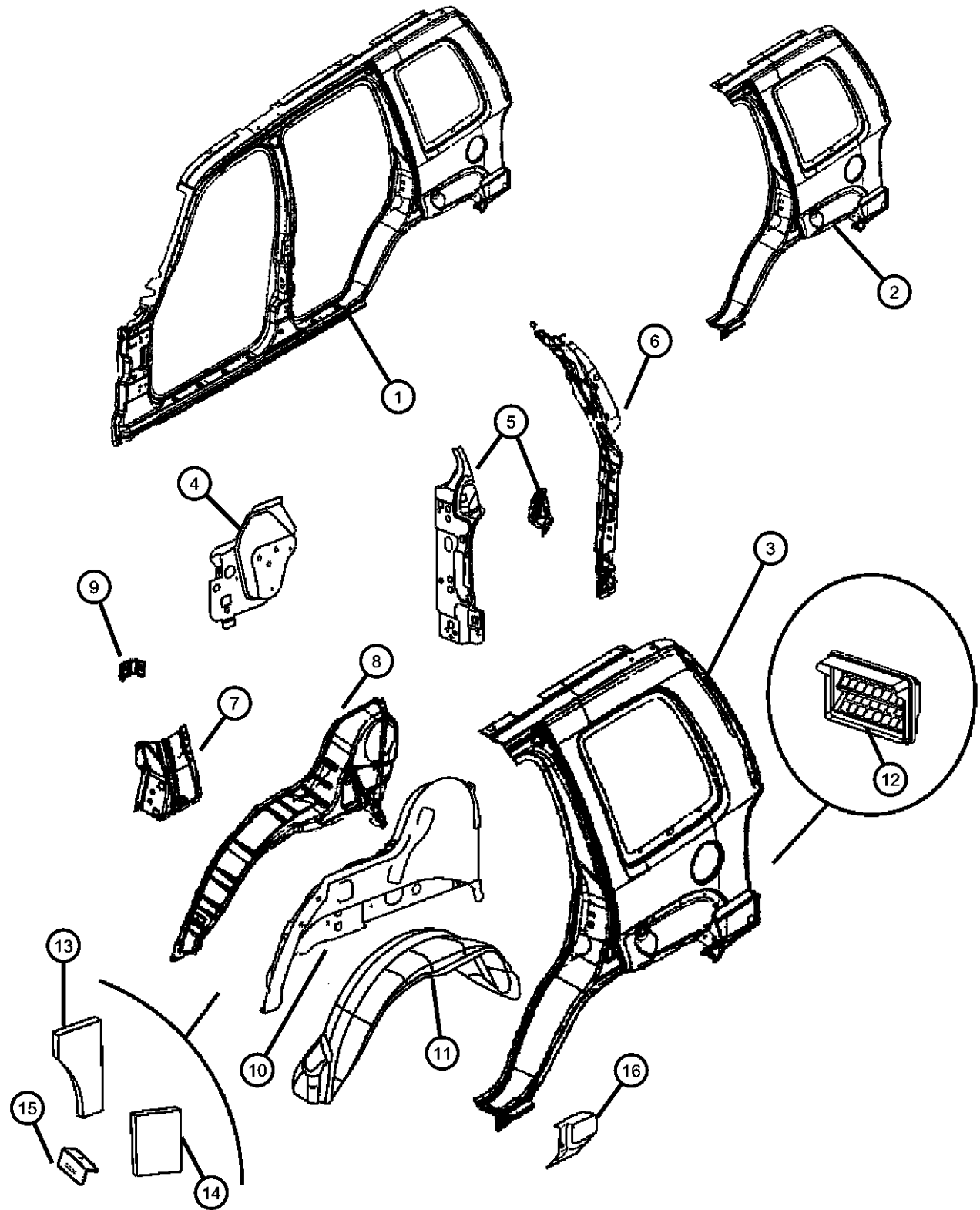
ENGINE TRANSMISSION  
EKG = 3.7L V6 Engine DG6 = 4-Spd. Automatic 42RLE  
ENR = 2.8L 4 Cyl Turbo Diesel Transmission  
Engine DGV = 4-Spd. Automatic VLP  
ENJ = 2.5L 4 Cyl 16V Turbo Transmission  
Diesel Engine DGQ = 5-Spd Automatic 5-45RFE  
ED1 = 2.4L 4 Cyl DOHC 16v Transmission  
SMPI Engine DEH = 6-Speed Manual NSG370  
Transmission  
DDD = 5-Speed HD Manual  
Transmission  
DDK = 5-Speed HD Manual  
Transmission

AR = use ase required - = Non illustrated part

2006 KJ

**Panels, Rear Quarter  
Figure SKJ-910**

ITEM	PART NUMBER	QTY	LINE	SERIES	BODY	ENGINE	TRANS	TRIM	DESCRIPTION
1	55176962AG	1							APERTURE, Body Side, Complete Outer Right
	55176963AG	1							Left
2	05170008AA	1							PANEL, Quarter, Outer Only Right
	05170009AA	1							Left
3	05170010AC	1							PANEL, Quarter, Complete Inner And Outer Right
	05170011AC	1							Left
4	55360298AD	1	J, T, U		74				REINFORCEMENT, Seat Mount, Complete Outer Right
	55360299AD	1	J, T, U		74				Left
5	55360356AE	1							PANEL, Taillamp Mounting Right
	55360452AC	1							Left
6	55360354AC	1							REINFORCEMENT, D Pillar Upper Right
	55360381AB	1							Left
7	55360624AC	1							REINFORCEMENT, Striker Assembly Right
	55360625AC	1							Left
8	55177012AC	1							PANEL, Rear Wheelhouse, Outer Right
	55177013AC	1							Left
9	55360463AA	2						REINFORCEMENT, Shoulder Belt	
10	55360406AE	1							WHEELHOUSE, Rear Inner Right
	55360407AF	1							Left
11								LINER, Fender Side	



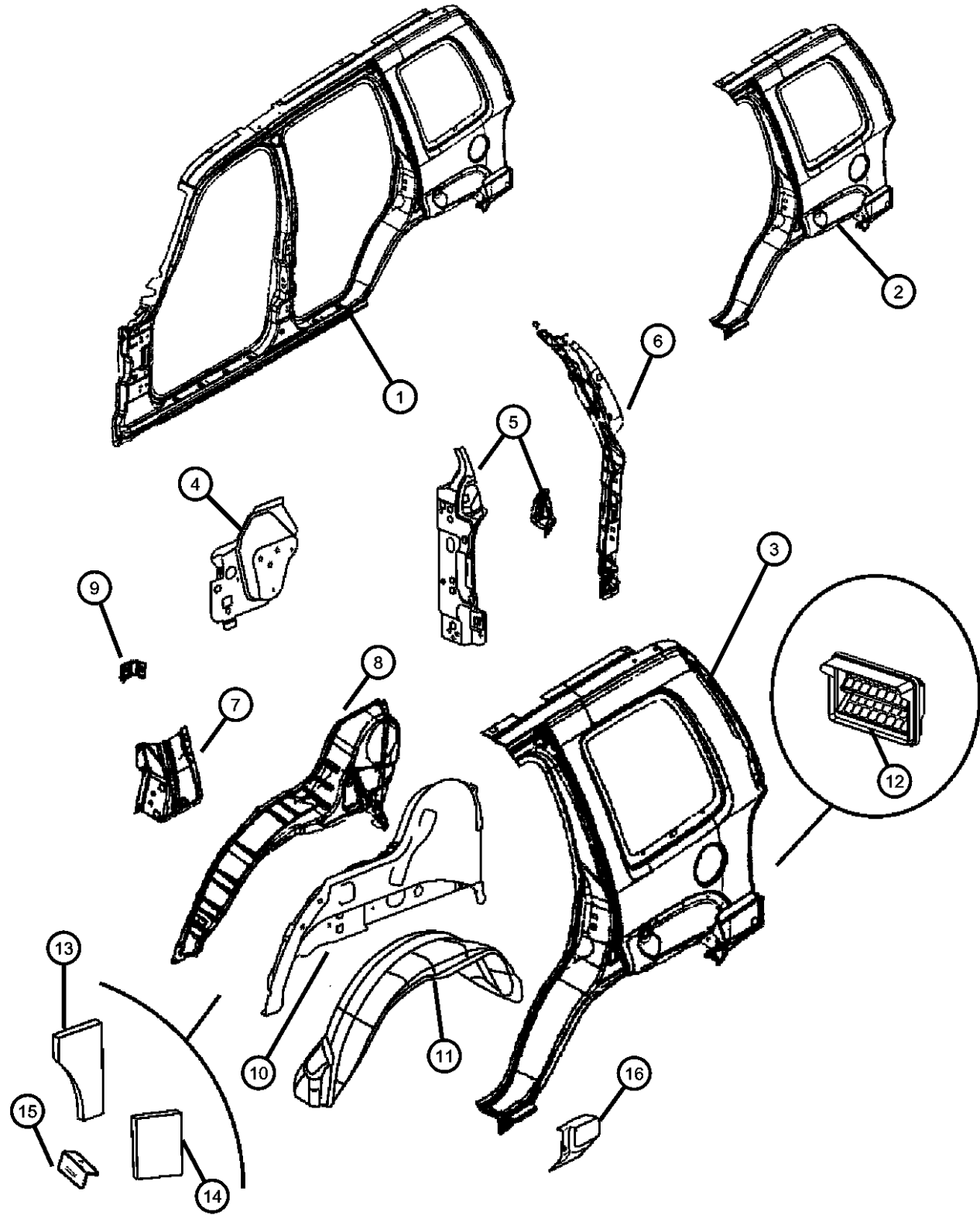
**LIBERTY (KJ)**  
 SERIES LINE BODY ENGINE TRANSMISSION  
 H = HIGHLINE T = JEEP - 2WD 74 = SPORT UTILITY 4-DR EKG = 3.7L V6 Engine DG6 = 4-Spd. Automatic 42RLE  
 M = MEDIUM J = JEEP - 4WD ENR = 2.8L 4 Cyl Turbo Diesel Engine DGV = 4-Spd. Automatic VLP  
 P = PREMIUM U = JEEP - 4WD (RHD) ENJ = 2.5L 4 Cyl 16V Turbo Diesel Engine DGQ = 5-Spd Automatic 5-45RFE  
 ED1 = 2.4L 4 Cyl DOHC 16v SMPI Engine DEH = 6-Speed Manual NSG370 Transmission  
 DDD = 5-Speed HD Manual Transmission  
 DDK = 5-Speed HD Manual Transmission

AR = use ase required - = Non illustrated part



Panels, Rear Quarter  
Figure SKJ-910

ITEM	PART NUMBER	QTY	LINE	SERIES	BODY	ENGINE	TRANS	TRIM	DESCRIPTION
	55360146AD	1							Right
	55360147AD	1							Left
12	55037458AB	2							EXHAUSTER, Quarter Panel
13	55352854AA	1							INSULATION, Side PanelRight Side, Upper
14	55352846AA	1							INSULATION, Side PanelRight Side, Lower
15	55136998AC	1							BRACKET, Wheel House
16									BRACKET, Sill
	55360444AB	1							Right
	55360445AB	1							Left



LIBERTY (KJ)

SERIES LINE  
H = HIGHLINE T = JEEP - 2WD  
M = MEDIUM J = JEEP - 4WD  
P = PREMIUM U = JEEP - 4WD (RHD)

BODY  
74 = SPORT UTILITY 4-DR

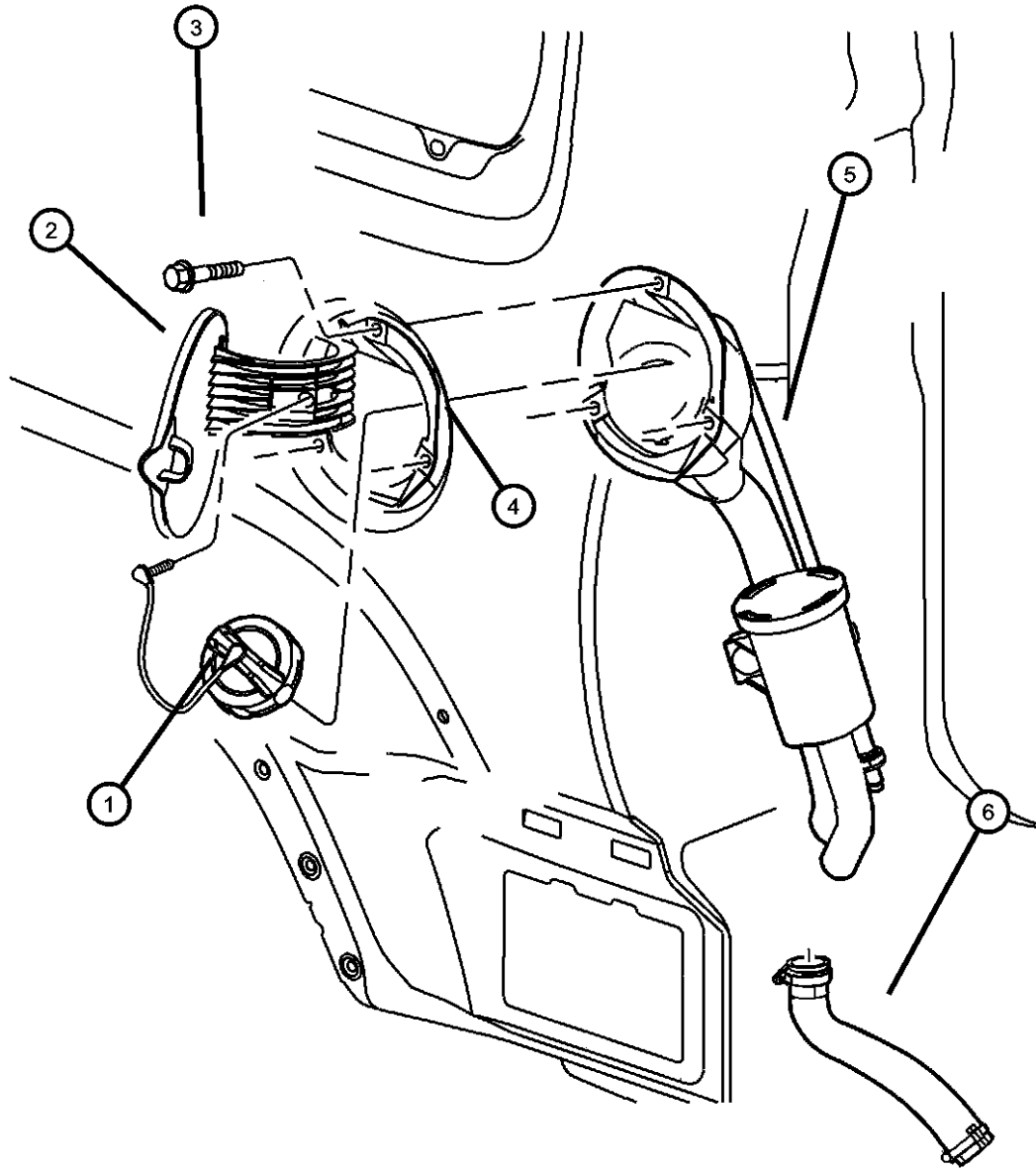
ENGINE TRANSMISSION  
EKG = 3.7L V6 Engine DG6 = 4-Spd. Automatic 42RLE  
ENR = 2.8L 4 Cyl Turbo Diesel Transmission  
Engine DGV = 4-Spd. Automatic VLP  
ENJ = 2.5L 4 Cyl 16V Turbo Transmission  
Diesel Engine DGQ = 5-Spd Automatic 5-45RFE  
ED1 = 2.4L 4 Cyl DOHC 16v Transmission  
SMPI Engine DEH = 6-Speed Manual NSG370  
Transmission  
DDD = 5-Speed HD Manual  
Transmission  
DDK = 5-Speed HD Manual  
Transmission

AR = use ase required - = Non illustrated part

2006 KJ

**Fuel Filler Housing and Door  
Figure SKJ-920**

ITEM	PART NUMBER	QTY	LINE	SERIES	BODY	ENGINE	TRANS	TRIM	DESCRIPTION
1	05015636AB	1	J, U						CAP KIT, Fuel Tank Locking
2	04674991AH	1							DOOR, Fuel Filler Manual Access
3	06035204	3							SCREW, Tapping, .19-16x.75
4	04716571AD	1							HOUSING, Fuel Filler
5									TUBE, Fuel Filler
	52129234AB	1							
	52129235AB	1							Diesel
6	52129236AB	1							HOSE, Fuel Filler
-7	04716532	1							SPRING, Fuel Filler Door



**LIBERTY (KJ)**

SERIES      LINE  
H = HIGHLINE    T = JEEP - 2WD  
M = MEDIUM     J = JEEP - 4WD  
P = PREMIUM    U = JEEP - 4WD (RHD)

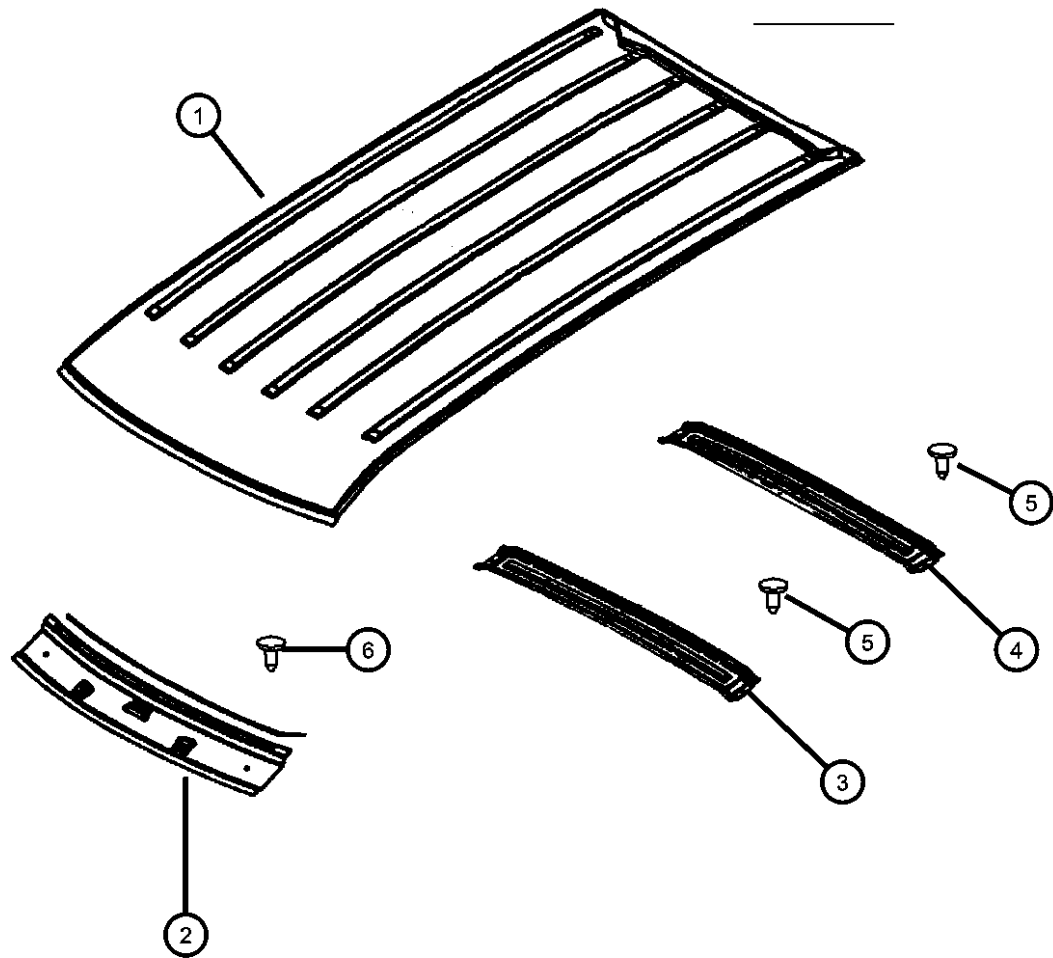
BODY  
74 = SPORT UTILITY 4-DR

ENGINE      TRANSMISSION  
EKG = 3.7L V6 Engine      DG6 = 4-Spd. Automatic 42RLE  
ENR = 2.8L 4 Cyl Turbo Diesel Engine      DGV = 4-Spd. Automatic VLP  
ENJ = 2.5L 4 Cyl 16V Turbo Diesel Engine      DGQ = 5-Spd Automatic 5-45RFE  
ED1 = 2.4L 4 Cyl DOHC 16v SMPI Engine      DEH = 6-Speed Manual NSG370  
Transmission  
DDD = 5-Speed HD Manual Transmission  
DDK = 5-Speed HD Manual Transmission

AR = use ase required    - = Non illustrated part

Roof Panel  
Figure SKJ-1110

ITEM	PART NUMBER	QTY	LINE	SERIES	BODY	ENGINE	TRANS	TRIM	DESCRIPTION
1	55176994AC	1							PANEL, Roof Without Sunroof
	55176995AD	1							With Sunroof
2	55177022AB	1							HEADER, Roof Front
3	55360281AA	1							BOW, Roof, Without Sunroof
4	55176998AA	1							BOW, Roof
5	55176998AA	1							PUSH PIN, M6.35x18.50, (NOT SERVICED)
6	06030441	1							PIN, Retainer



LIBERTY (KJ)

SERIES LINE  
H = HIGHLINE T = JEEP - 2WD  
M = MEDIUM J = JEEP - 4WD  
P = PREMIUM U = JEEP - 4WD (RHD)

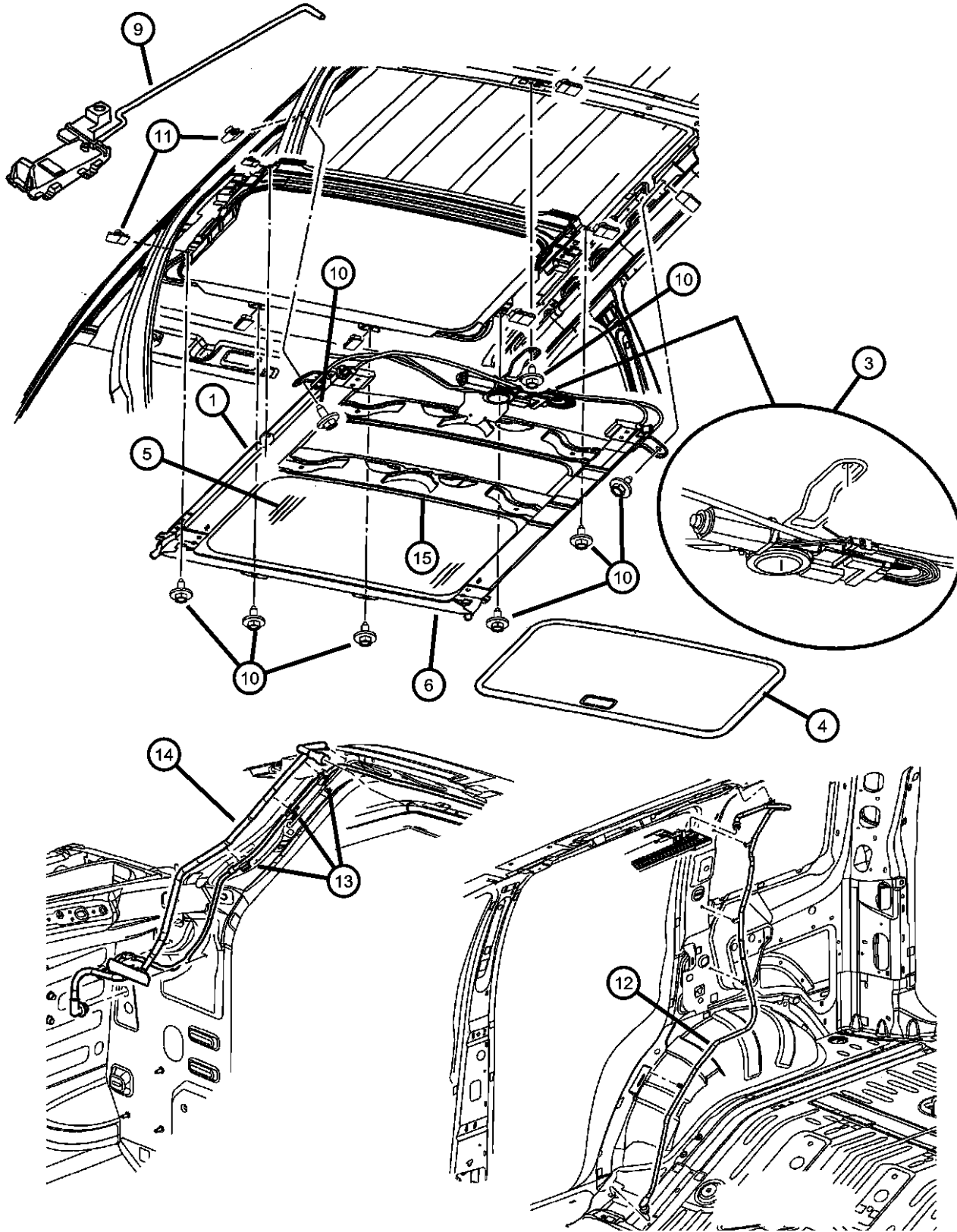
BODY  
74 = SPORT UTILITY 4-DR

ENGINE TRANSMISSION  
EKG = 3.7L V6 Engine DG6 = 4-Spd. Automatic 42RLE  
ENR = 2.8L 4 Cyl Turbo Diesel Transmission  
Engine DGV = 4-Spd. Automatic VLP  
ENJ = 2.5L 4 Cyl 16V Turbo Transmission  
Diesel Engine DGQ = 5-Spd Automatic 5-45RFE  
ED1 = 2.4L 4 Cyl DOHC 16v Transmission  
SMPI Engine DEH = 6-Speed Manual NSG370  
Transmission  
DDD = 5-Speed HD Manual  
Transmission  
DDK = 5-Speed HD Manual  
Transmission

AR = use ase required - = Non illustrated part

2006 KJ

**Sunroof  
Figure SKJ-1210**

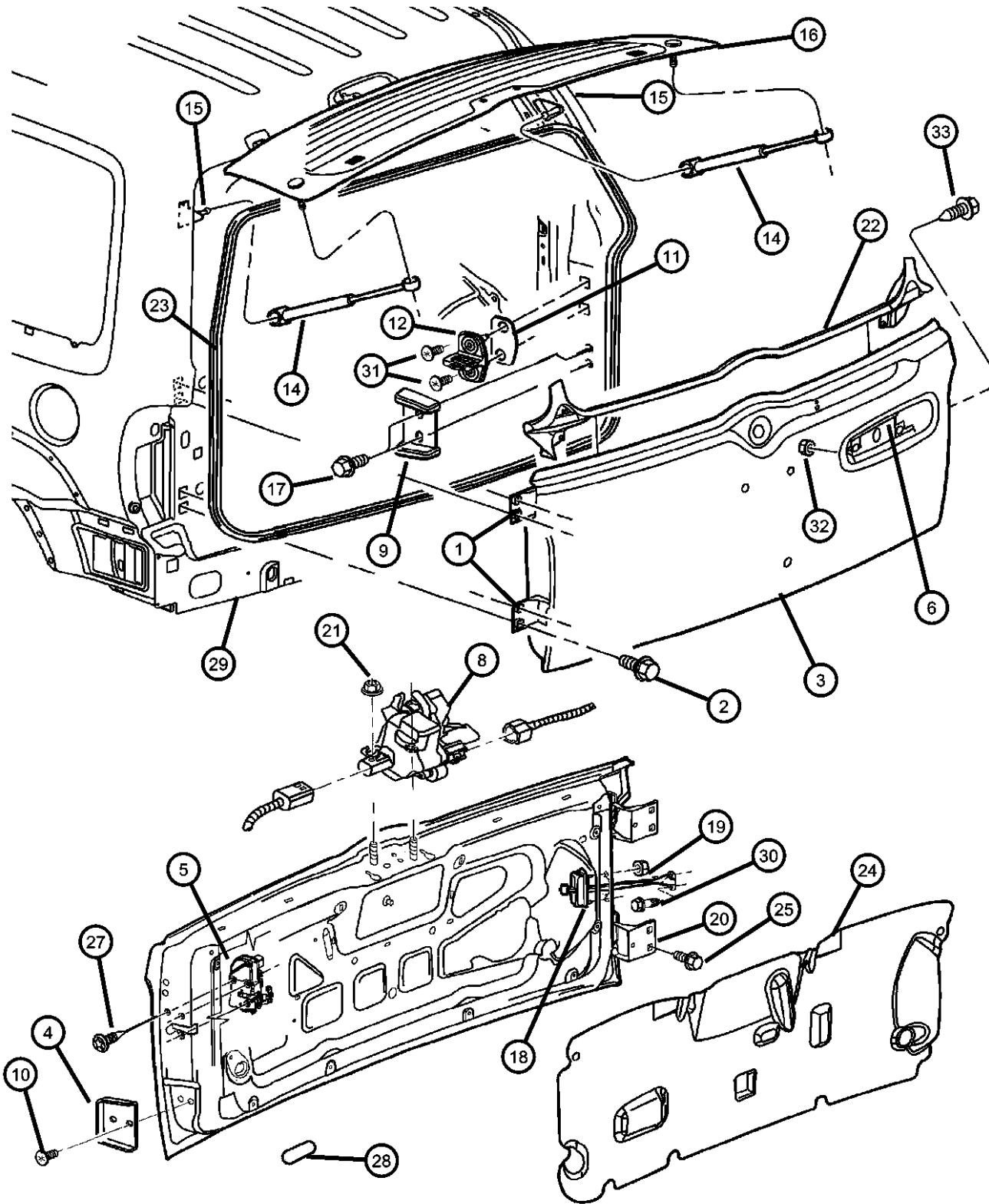


ITEM	PART NUMBER	QTY	LINE	SERIES	BODY	ENGINE	TRANS	TRIM	DESCRIPTION
Note: Guides 5066433AB attach to frame brace 5101844AA. Frame brace 5101844AA pulls sunshade open when in closed position.									
1	05101963AB	1							MODULE, Sunroof
-2									DEFLECTOR, Sunroof Wind
	05066895AA	1							Up To 3-09-2006
	05191991AA	1	J, T, U		74				After 3-09-2006
3	05096260AA	1							MOTOR, Sunroof, With Control Unit
4	0UX06BD1AA	1							SUNSHADE, Sunroof
5	05066892AA	1							GLASS, Sunroof
6	05066896AA	1							SEAL, Sunroof Glass
-7	0UX09BD1AA	1							TRIM LACE, Sunroof
-8	05101961AA	1							WIRING, Sunroof
9	05066433AC	1							GUIDE, Sunroof Track, Contains Right & Left Guides and 2 Push Nuts
10	06505728AA	8							SCREW AND WASHER, Hex Head, M6x1x17
11	06506035AA	10							NUT, U, M6x1
12									HOSE, Sunroof Drain, Rear
	55360180AG	1							Right
	55360181AG	1							Left
13	55360393AA	3							CLIP, Hose
14									HOSE, Sunroof Drain, Front
	55360178AB	1							Right
	55360179AB	1							Left
15	05101844AA	1							BRACE, WATER TROUGH

<b>LIBERTY (KJ)</b>				
SERIES	LINE	BODY	ENGINE	TRANSMISSION
H = HIGHLINE	T = JEEP - 2WD	74 = SPORT UTILITY 4-DR	EKG = 3.7L V6 Engine	DG6 = 4-Spd. Automatic 42RLE
M = MEDIUM	J = JEEP - 4WD		ENR = 2.8L 4 Cyl Turbo Diesel Engine	Transmission
P = PREMIUM	U = JEEP - 4WD (RHD)		ENJ = 2.5L 4 Cyl 16V Turbo Diesel Engine	DGV = 4-Spd. Automatic VLP
			ED1 = 2.4L 4 Cyl DOHC 16v SMPI Engine	Transmission
				DGQ = 5-Spd Automatic 5-45RFE
				Transmission
				DEH = 6-Speed Manual NSG370
				Transmission
				DDD = 5-Speed HD Manual
				Transmission
				DDK = 5-Speed HD Manual
				Transmission

AR = use ase required - = Non illustrated part

**Swing Gate, Latch, and Hinges**  
**Figure SKJ-1310**



ITEM	PART NUMBER	QTY	LINE	SERIES	BODY	ENGINE	TRANS	TRIM	DESCRIPTION
------	-------------	-----	------	--------	------	--------	-------	------	-------------

Note: For Backlite Hinges and Associated Hardware, see Group SKJ Illustration 710

1									HINGE, Liftgate Upper
	52850558AB	1							Lower
2	52850559AB	1							SCREW, M8X1.25X42.00, (NOT SERVICED)
3	55176934AH	1							PANEL, Tailgate
4	52850562AH	1							BUMPER, Tailgate
5	55360641AD	1							LATCH, Tailgate
6									HANDLE, Exterior Tailgate
	05102498AB	1	J, T						Export
		1	J, U						LINK, Exterior Door Handle, Attaches to Exterior Tailgate Handle
-7									
	05103132AA	1	J, T						
		1	J, U						
8	55360357AC	1							LATCH, Liftgate Glass
9	55360324AC	1							STABILIZER, Swing Gate
10	06507128AA	2							SCREW AND WASHER, Hex Head, M6 x 1.00 x 26.5
11	55075483	AR							SPACER, Door Latch Striker
12	04878826AC	1							STRIKER, Door
-13	06503692	2							SCREW, M8-1.25
14	55360171AD	2							GAS CYLINDER, Liftgate Glass
15	55360394AC	2							BRACKET, Ballstud
16									BACKLITE, Note: For Backlite Hinges and Associated Hardware, see Group SKJ Illustration 710
	55360340AV	1							[GEJ]
	DB10570GT								Collision Replacement Glass
	55360342AV	1							[GEG]
	DB10571YP								Collision Replacement Glass

**LIBERTY (KJ)**

SERIES	LINE
H = HIGHLINE	T = JEEP - 2WD
M = MEDIUM	J = JEEP - 4WD
P = PREMIUM	U = JEEP - 4WD (RHD)

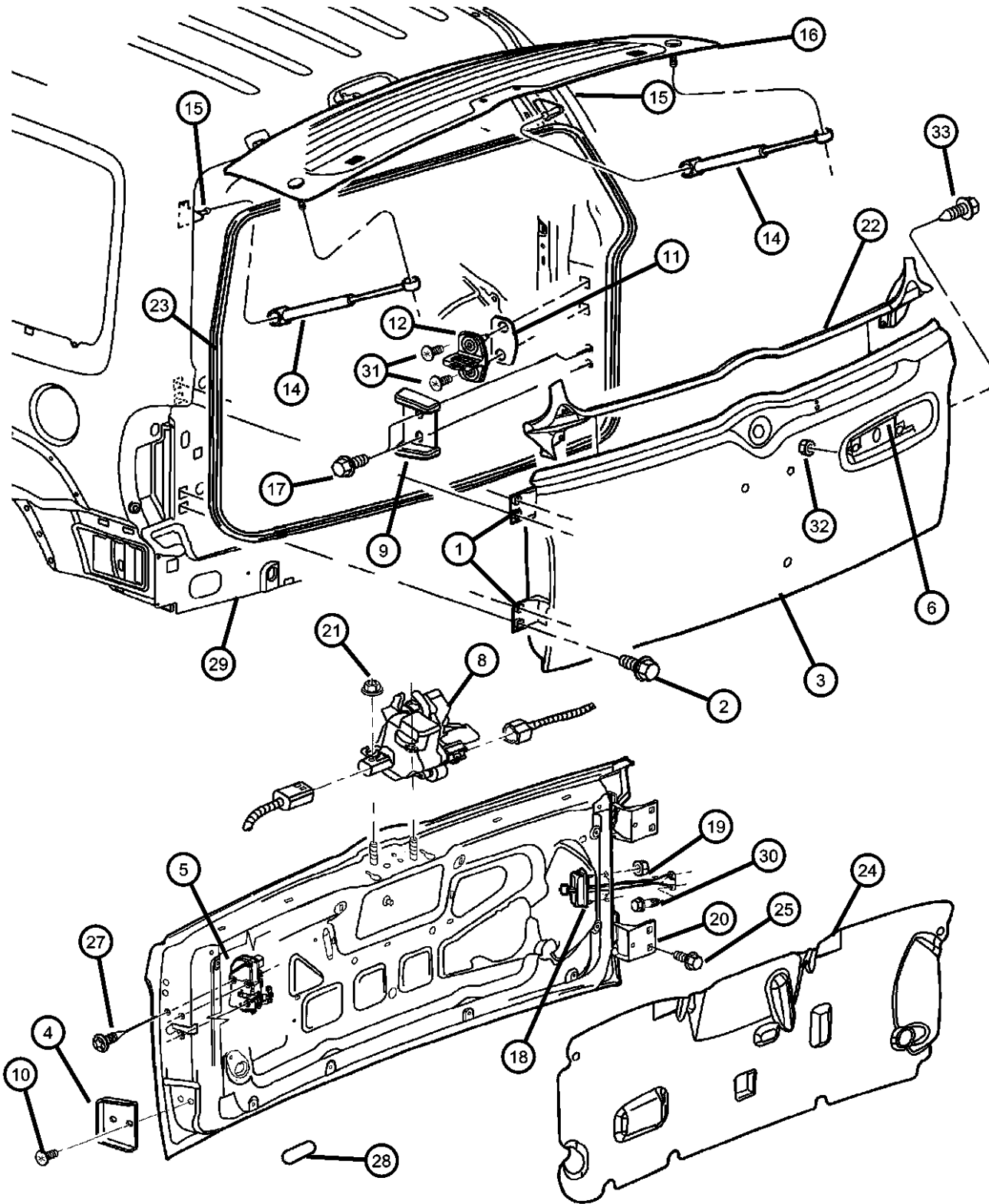
BODY
74 = SPORT UTILITY 4-DR

ENGINE	TRANSMISSION
EKG = 3.7L V6 Engine	DG6 = 4-Spd. Automatic 42RLE
ENR = 2.8L 4 Cyl Turbo Diesel Engine	Transmission
ENJ = 2.5L 4 Cyl 16V Turbo Diesel Engine	DGV = 4-Spd. Automatic VLP
ED1 = 2.4L 4 Cyl DOHC 16V SMPI Engine	Transmission
	DGQ = 5-Spd Automatic 5-45RFE
	Transmission
	DEH = 6-Speed Manual NSG370
	Transmission
	DDD = 5-Speed HD Manual
	Transmission
	DDK = 5-Speed HD Manual
	Transmission

AR = use ase required - = Non illustrated part

2006 KJ

**Swing Gate, Latch, and Hinges**  
**Figure SKJ-1310**



ITEM	PART NUMBER	QTY	LINE	SERIES	BODY	ENGINE	TRANS	TRIM	DESCRIPTION
17	06507456AA	2							BOLT AND CONED WASHER, Hex Head, M6x20x14
18	55360170AB	1							ARM, Cargo Door Check
19	06503504	2							NUT AND WASHER, Hex, M6x1, Check Strap to Body
20	06503504	2							SCREW, Tapping, M6x1x20, (NOT SERVICED)
21	06503102	2							NUT AND WASHER, Hex Nut-Coned Washer, M6 x 1.00
22	55360065AB	1							WEATHERSEAL, Tailgate
23	55176958AG	1							WEATHERSEAL, Tailgate
24	55360309AC	1							WATERSHIELD, Liftgate Inner
25	06503328	6							SCREW, Hex Head, M8x1.25x30
-26	04520289	AR							SPACER, Door Latch Striker
27	06036364AA	3							SCREW, Oval Head, Swing Gate Latch to Swing Gate
28	04646527	2							PLUG, Deck Lid
29	55360227AF	1							PANEL, Liftgate Opening, D-Ring Shaped, Contains Rear Gate Opening and Roof Header
30	55360227AF	1							SCREW, Hex Flange Head, M6x1.00x20, (NOT SERVICED)
31	06506367AA	2							SCREW, M8-1.25
32	06503226	2							NUT, Hex Flange, M5x.8
33	06507011AA	2							SCREW

**LIBERTY (KJ)**

SERIES      LINE  
H = HIGHLINE    T = JEEP - 2WD  
M = MEDIUM     J = JEEP - 4WD  
P = PREMIUM    U = JEEP - 4WD (RHD)

BODY  
74 = SPORT UTILITY 4-DR

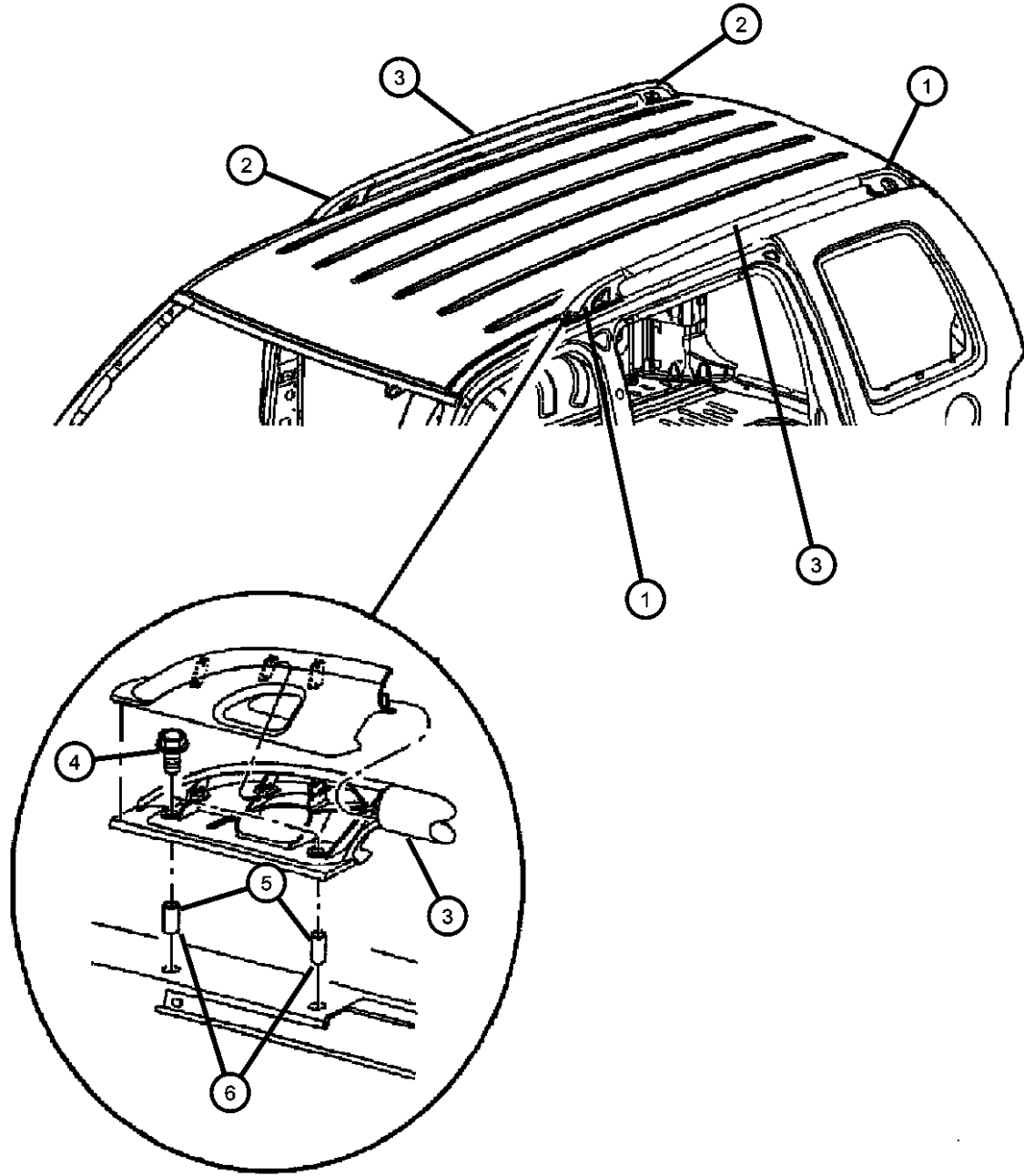
ENGINE      TRANSMISSION  
EKG = 3.7L V6 Engine      DG6 = 4-Spd. Automatic 42RLE  
ENR = 2.8L 4 Cyl Turbo Diesel Engine      Transmission  
ENJ = 2.5L 4 Cyl 16V Turbo Diesel Engine      DGV = 4-Spd. Automatic VLP  
ED1 = 2.4L 4 Cyl DOHC 16v SMPI Engine      Transmission  
DGQ = 5-Spd Automatic 5-45RFE  
DEH = 6-Speed Manual NSG370  
Transmission  
DDD = 5-Speed HD Manual  
Transmission  
DDK = 5-Speed HD Manual  
Transmission

AR = use ase required - = Non illustrated part

2006 KJ

**Luggage Rack  
Figure SKJ-1610**

ITEM	PART NUMBER	QTY	LINE	SERIES	BODY	ENGINE	TRANS	TRIM	DESCRIPTION
Note: Production crossrails not used. See accessory catalog for crossrail package.									
1	55156941AB	1							COVER, Luggage Rack [MWZ], Left, Front
	55156943AB	1							[MWZ], Left, Rear
	55360425AE	1							[MWE], [MW1], Left, Front
	55360427AC	1							[MWE], [MW1], Left, Rear
2	55156940AB	1							COVER, Luggage Rack [MWZ], Right Front
	55156942AB	1							[MWZ], Right Rear
	55360424AE	1							[MWE], [MW1], Right Front
	55360426AC	1							[MWE], [MW1], Right Rear
3	55156936AC	1							RAIL, Luggage Rack Side [MW1], Right
	55156937AC	1							[MW1], Left
	55156938AD	1							[MWZ], Right
	55156939AD	1							[MWZ], Left
	55360418AK	1							[MWE], Right
	55360419AK	1							[MWE], Left
4	06507086AA	8							SCREW
5	06503245	6							RIVET, Hex Head
6	06506489AA	2							RIVET, Round Head



**LIBERTY (KJ)**

SERIES      LINE  
H = HIGHLINE    T = JEEP - 2WD  
M = MEDIUM      J = JEEP - 4WD  
P = PREMIUM      U = JEEP - 4WD (RHD)

BODY  
74 = SPORT UTILITY 4-DR

ENGINE      TRANSMISSION  
EKG = 3.7L V6 Engine      DG6 = 4-Spd. Automatic 42RLE  
ENR = 2.8L 4 Cyl Turbo Diesel      Transmission  
Engine      DGV = 4-Spd. Automatic VLP  
ENJ = 2.5L 4 Cyl 16V Turbo      Transmission  
Diesel Engine      DGQ = 5-Spd Automatic 5-45RFE  
ED1 = 2.4L 4 Cyl DOHC 16v      Transmission  
SMPI Engine      DEH = 6-Speed Manual NSG370  
Transmission  
DDD = 5-Speed HD Manual  
Transmission  
DDK = 5-Speed HD Manual  
Transmission

AR = use ase required - = Non illustrated part

# Group - LBLS

## Labels All Vehicle Locations

## Group - LBLS Labels All Vehicle Locations

Illustration Title

Group-Fig. No.

### Interior

Instrument Panel, Visors/Trim ..... Fig. LBLS - 110

### Under Hood

Engine Compartment ..... Fig. LBLS - 210

### Doors

Door and Pillars ..... Fig. LBLS - 310

Rear Glass ..... Fig. LBLS - 320

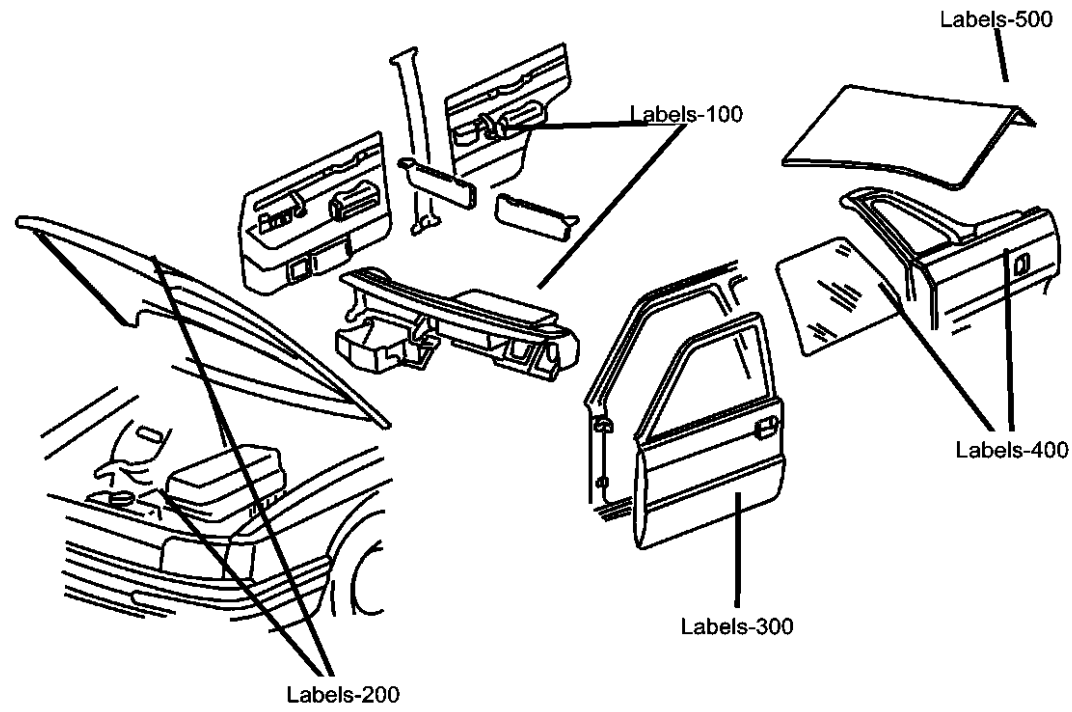
### Exterior

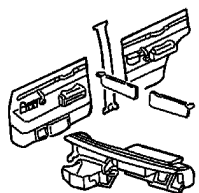


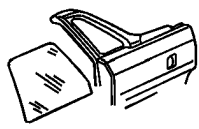

Fuel Door/Filler ..... Fig. LBLS - 410

### Rear Cargo & Storage

Jack Assembly ..... Fig. LBLS - 510

Rear Cargo ..... Fig. LBLS - 520

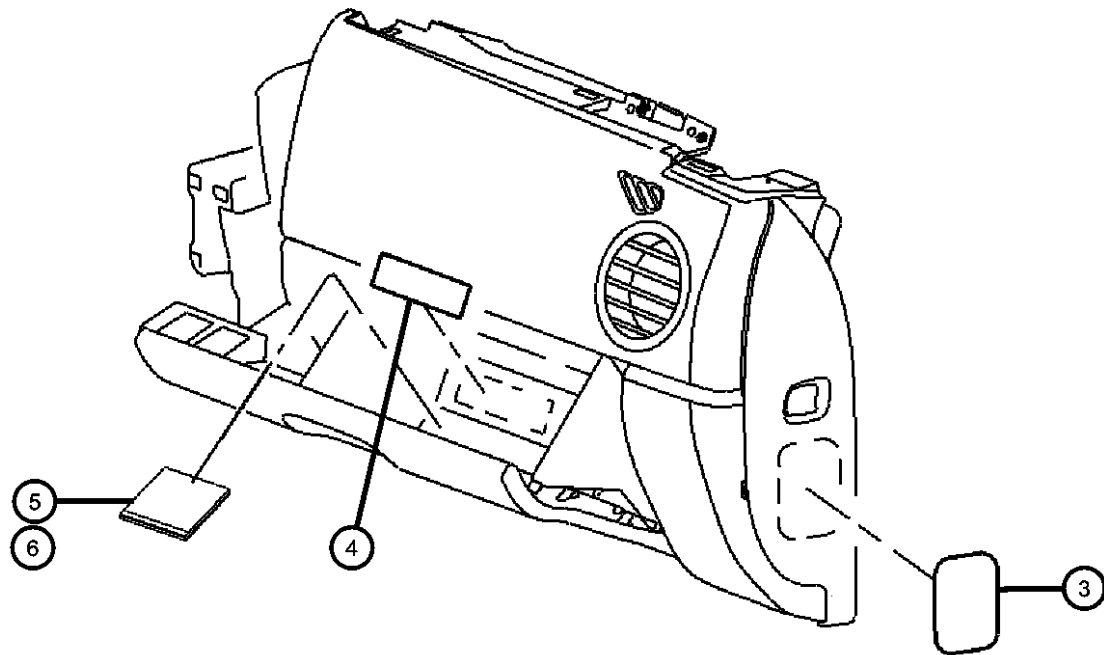
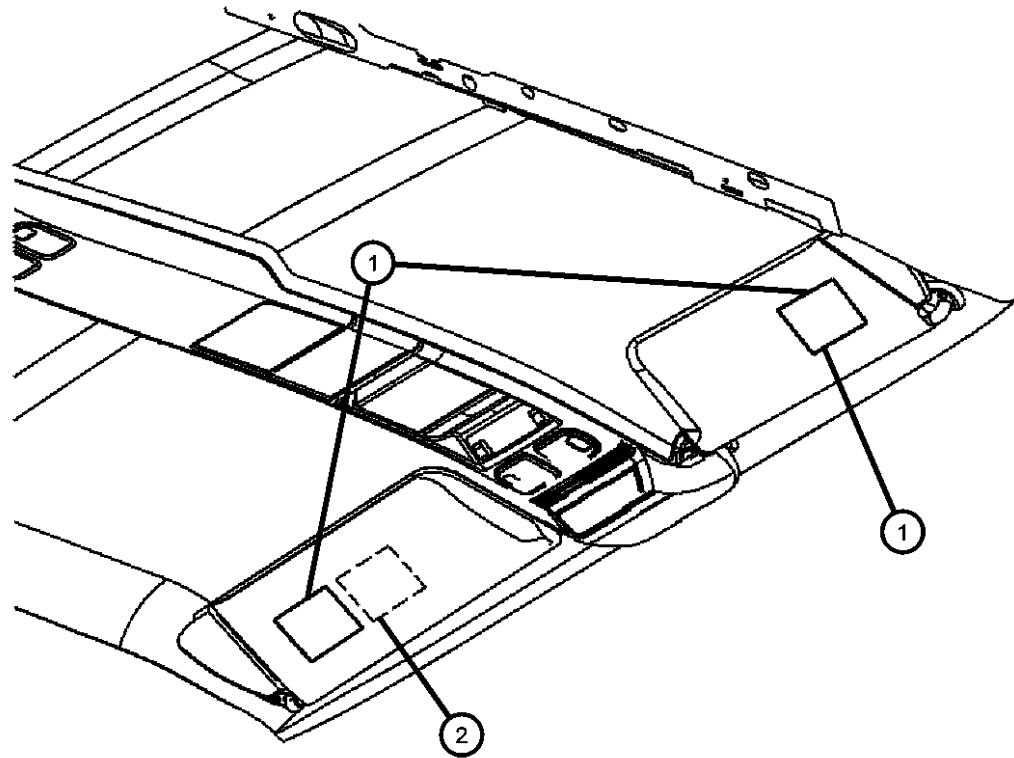


<p><b>LBLS-100</b> Interior</p> 	<p><b>LBLS-200</b> Under Hood</p> 	<p><b>LBLS-300</b> Doors</p> 	<p><b>LBLS-400</b> Exterior</p> 
<p><b>LBLS-500</b> Rear Cargo &amp; Storage</p> 			



**Instrument Panel, Visors/Trim  
Figure LBL5-110**

ITEM	PART NUMBER	QTY	LINE	SERIES	BODY	ENGINE	TRANS	TRIM	DESCRIPTION
1									LABEL, Air Bag Warning, Sun Visors
	04649281AA	4							Seat Side (English-French)
	04664294AA	1							Side (English-Arabic)
	05023540AA	2							Bilingual
	05023543AA	2							Sun Visor (English-Italian)
	05023743AA	2							Sun Visor (English-German)
	05108000AA	2							English-French
	05170020AA	2							English-Arabic
	55197154AA	2							English Speaking Export
2									LABEL, Warning, Drivers Visor
	53015958AA	1							High Roll Over Risk English Arabic
	55352825AA	1							High Roll Over Risk English-French
3	04680556AA	1							DECAL, Seat Belt Safety, Seat Child Rear Facing Warning Pictogram
4	52088963AB	1							LABEL, Tire Pressure, UK English
5	05064033AC	1							DVD, Geographic Database, North America
6									COMPACT DISC, Navigation
	05064108AA	1							Europe
	05064133AA	1							South Africa



<b>LIBERTY (KJ)</b>				
SERIES	LINE	BODY	ENGINE	TRANSMISSION
H = HIGHLINE	T = JEEP - 2WD	74 = SPORT UTILITY 4-DR	EKG = 3.7L V6 Engine	DG6 = 4-Spd. Automatic 42RLE
M = MEDIUM	J = JEEP - 4WD		ENR = 2.8L 4 Cyl Turbo Diesel Engine	Transmission
P = PREMIUM	U = JEEP - 4WD (RHD)		ENJ = 2.5L 4 Cyl 16V Turbo Diesel Engine	DGV = 4-Spd. Automatic VLP
			ED1 = 2.4L 4 Cyl DOHC 16v SMPI Engine	Transmission
				DGQ = 5-Spd Automatic 5-45RFE
				Transmission
				DEH = 6-Speed Manual NSG370
				Transmission
				DDD = 5-Speed HD Manual
				Transmission
				DDK = 5-Speed HD Manual
				Transmission

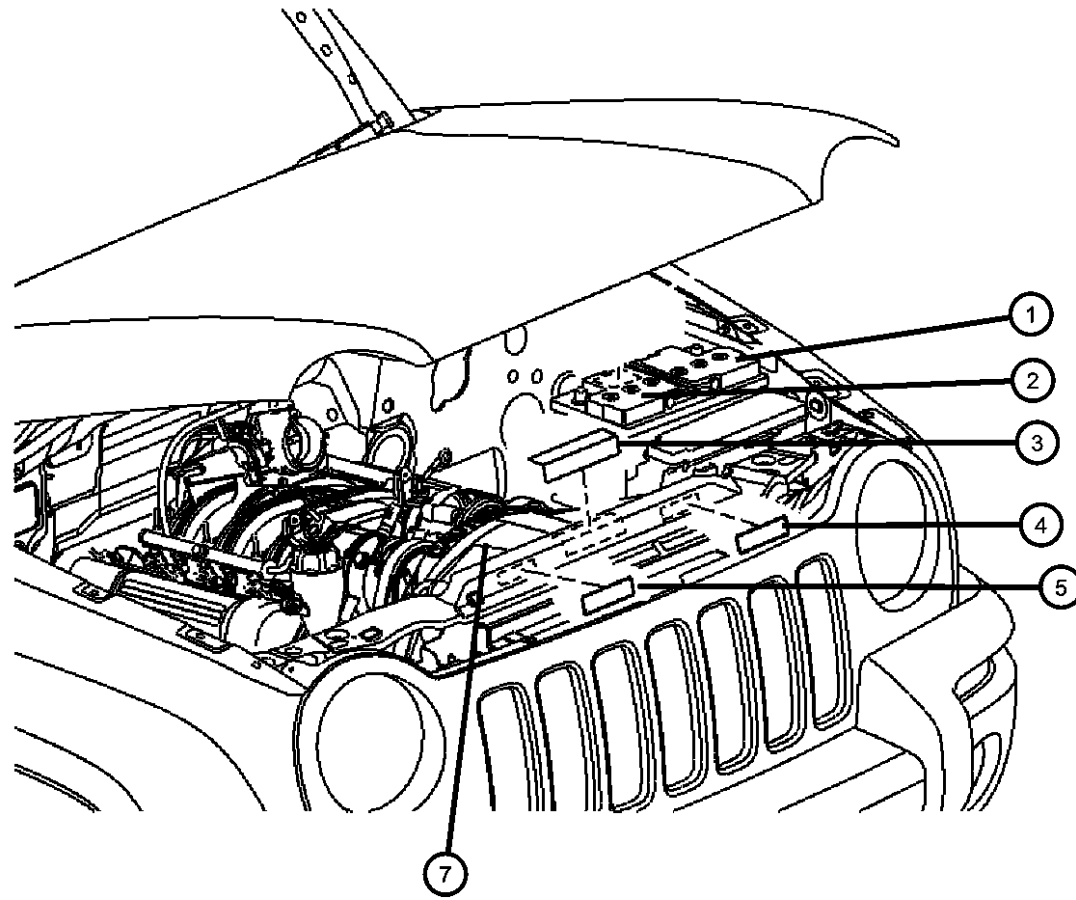
AR = use ase required - = Non illustrated part

**Engine Compartment  
Figure LBL5-210**

ITEM	PART NUMBER	QTY	LINE	SERIES	BODY	ENGINE	TRANS	TRIM	DESCRIPTION
------	-------------	-----	------	--------	------	--------	-------	------	-------------

NOTES: Sales Codes:  
 [ED0] = All 2.2,2.5,2.4L 4 Cylinder Gas Engines  
 [EK0] = All 3.7L V6 Cylinder Gas Engines  
 [EN0] = All 4.5 Cylinder Turbo Diesel Engines

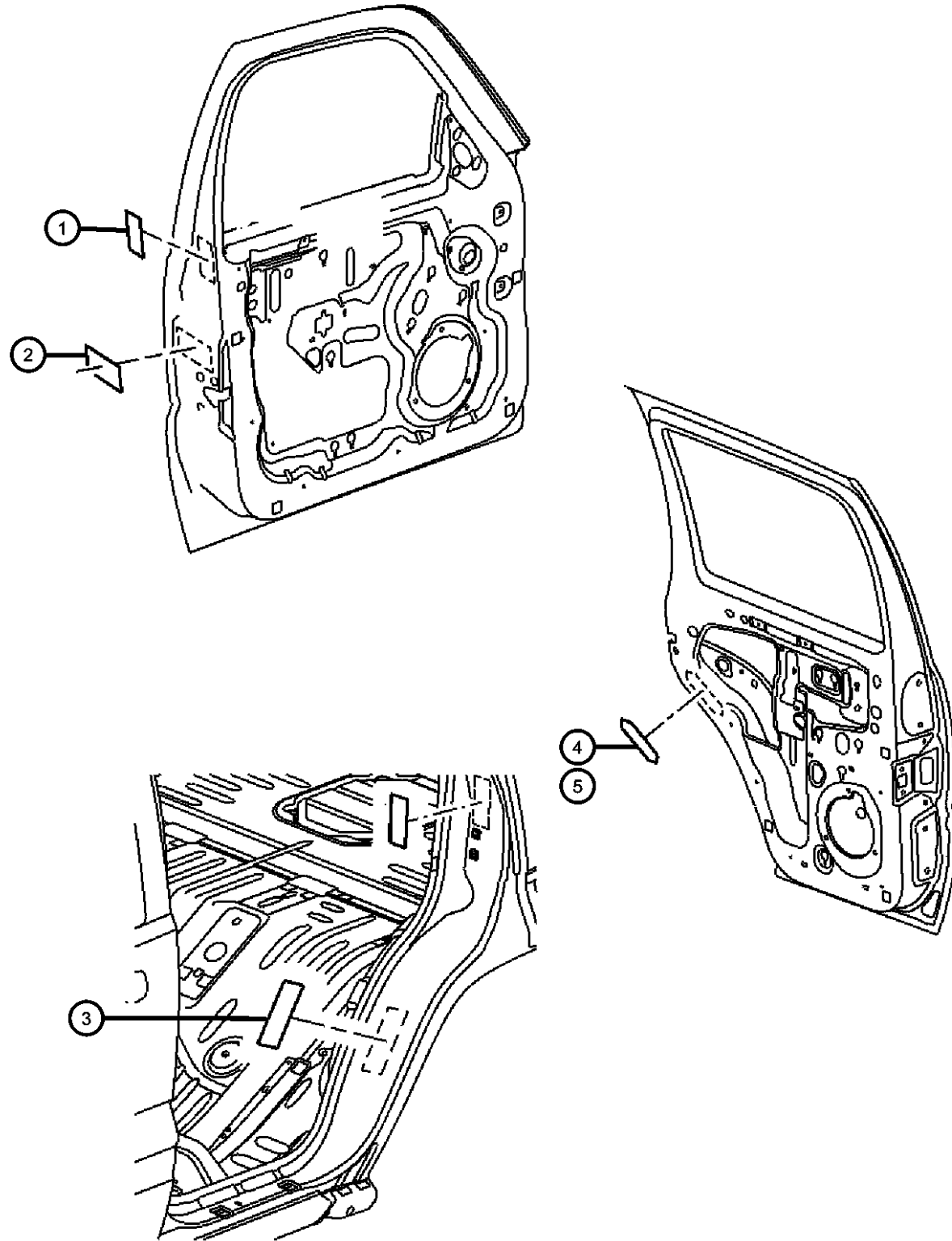
1	56041046	1							LABEL, Battery, Danger Poison French
2	56041047	1							LABEL, Battery Jump Start, French
3									LABEL, Emission
	52129083AA	1			74	EK0			[NA1]
	52129417AA	1			74	EK0			[NAA]
	52129418AA	1			74	ENR			[NAA]
	52129419AA	1			74	EK0			[NAE]
	52129422AA	1			74	ENR			[NA1]
4	53014005AA	1				EN0			LABEL, Belt Routing
5	55037464AE	1							LABEL, Refrigerant
-6	52128784AA	1							LABEL, Warning, Brake Fluid
7	53015959AA	1							LABEL, Fan Caution, Arabic



LIBERTY (KJ)				
SERIES	LINE	BODY	ENGINE	TRANSMISSION
H = HIGHLINE	T = JEEP - 2WD	74 = SPORT UTILITY 4-DR	EKG = 3.7L V6 Engine	DG6 = 4-Spd. Automatic 42RLE
M = MEDIUM	J = JEEP - 4WD		ENR = 2.8L 4 Cyl Turbo Diesel Engine	Transmission
P = PREMIUM	U = JEEP - 4WD (RHD)		ENJ = 2.5L 4 Cyl 16V Turbo Diesel Engine	DGV = 4-Spd. Automatic VLP
			ED1 = 2.4L 4 Cyl DOHC 16v SMPI Engine	Transmission
				DGQ = 5-Spd Automatic 5-45RFE
				Transmission
				DEH = 6-Speed Manual NSG370
				Transmission
				DDD = 5-Speed HD Manual
				Transmission
				DDK = 5-Speed HD Manual
				Transmission

AR = use ase required - = Non illustrated part

Door and Pillars  
Figure LBL5-310



ITEM	PART NUMBER	QTY	LINE	SERIES	BODY	ENGINE	TRANS	TRIM	DESCRIPTION
1									LABEL, Air Bag Warning
	04649281AA	4							Seat Side English-French
	04649282AA	4							Seat Side
	04664280AC	4							Seat Side English
	04664294AA	1							Side English-Arabic
	05023540AA	2							Sun Visor English-French
	05023543AA	2							Sun Visor English-Italian
	05023743AA	2							Sun Visor English-German
	05108000AA	2							English-French
	05170020AA	2							English-Arabic
	55197154AA	2							English Speaking Export Countries
2	05056246AA	1							LABEL, Tire Pressure
3	05056246AA	1							LABEL, Certification, (NOT SERVICED)
4									LABEL, Child Protection Lock, English
	04780544AA	1							Right
	04780545AA	1							Left
5									LABEL, Child Protection Lock, French
	04780546AC	1							English-French, Right
	04780547AC	1							English-French, Left

LIBERTY (KJ)

SERIES      LINE  
H = HIGHLINE    T = JEEP - 2WD  
M = MEDIUM     J = JEEP - 4WD  
P = PREMIUM    U = JEEP - 4WD (RHD)

BODY  
74 = SPORT UTILITY 4-DR

ENGINE  
EKG = 3.7L V6 Engine  
ENR = 2.8L 4 Cyl Turbo Diesel Engine  
ENJ = 2.5L 4 Cyl 16V Turbo Diesel Engine  
ED1 = 2.4L 4 Cyl DOHC 16v SMPI Engine

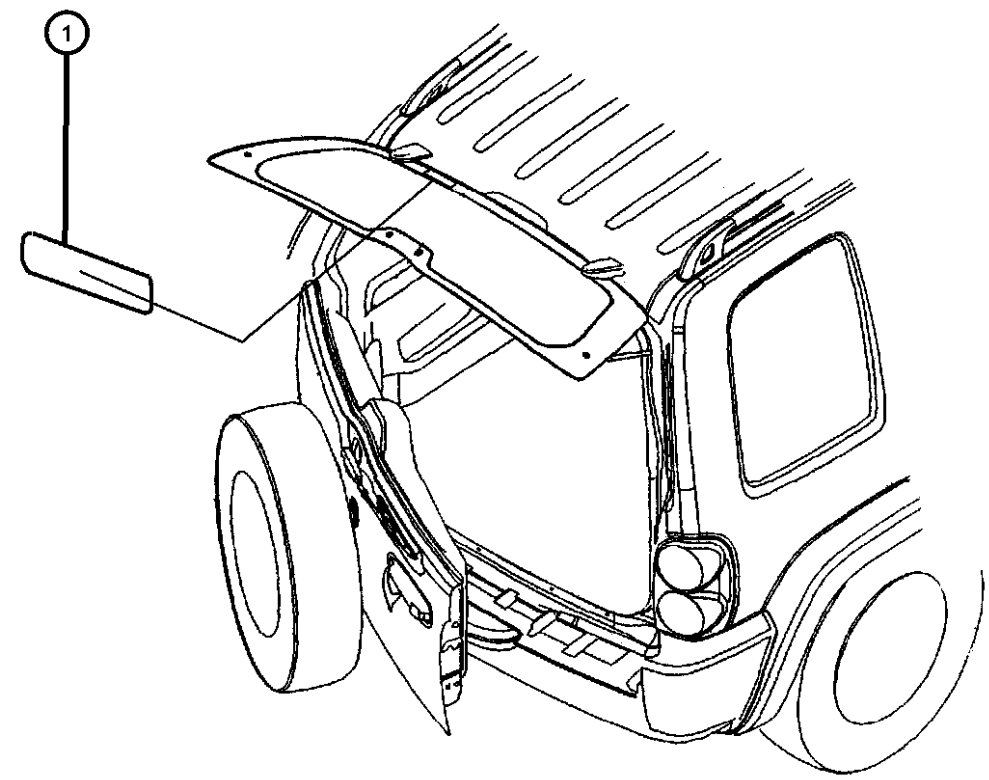
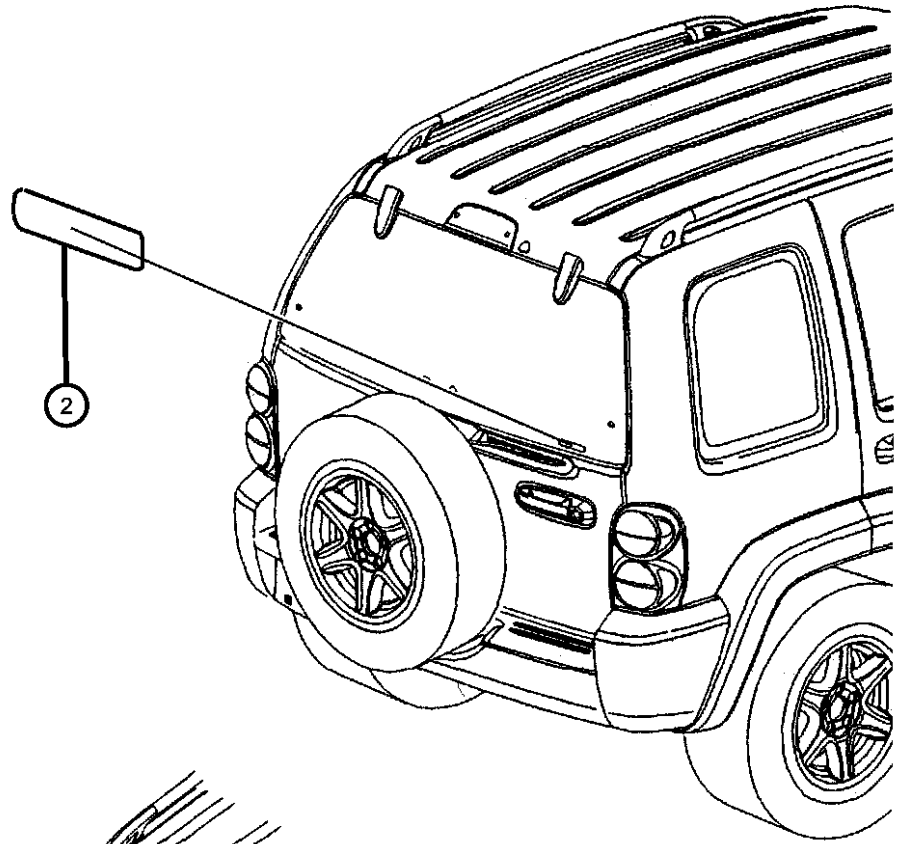
TRANSMISSION  
DG6 = 4-Spd. Automatic 42RLE Transmission  
DGV = 4-Spd. Automatic VLP Transmission  
DGQ = 5-Spd Automatic 5-45RFE Transmission  
DEH = 6-Speed Manual NSG370 Transmission  
DDD = 5-Speed HD Manual Transmission  
DDK = 5-Speed HD Manual Transmission

AR = use ase required - = Non illustrated part

2006 KJ

**Rear Glass  
Figure LBLS-320**

ITEM	PART NUMBER	QTY	LINE	SERIES	BODY	ENGINE	TRANS	TRIM	DESCRIPTION
1									LABEL, Flipper Glass, Flipper Glass Warning
	55360573AA	1							With Tinted Glass
	55360582AA	1							Privacy Glass French
	55360583AA	1							Privacy Glass Arabic
2	05056223AA	1							LABEL, Warning, Fire Extinguisher, Arabic

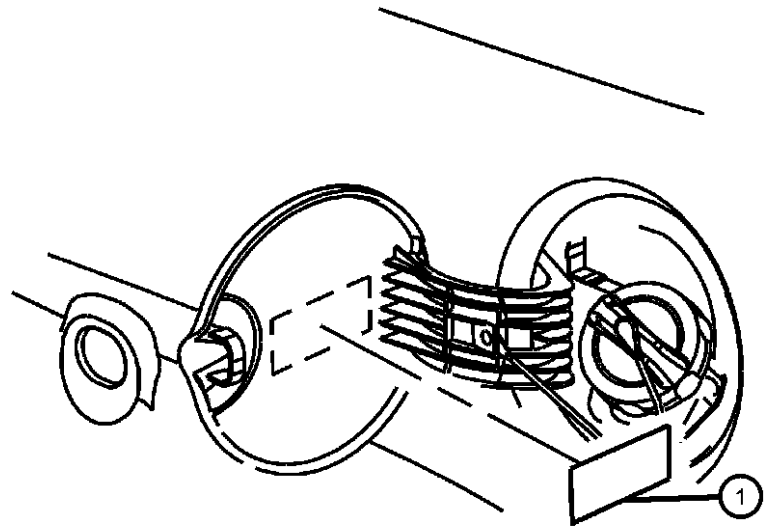


<b>LIBERTY (KJ)</b>				
SERIES	LINE	BODY	ENGINE	TRANSMISSION
H = HIGHLINE	T = JEEP - 2WD	74 = SPORT UTILITY 4-DR	EKG = 3.7L V6 Engine	DG6 = 4-Spd. Automatic 42RLE
M = MEDIUM	J = JEEP - 4WD		ENR = 2.8L 4 Cyl Turbo Diesel Engine	Transmission
P = PREMIUM	U = JEEP - 4WD (RHD)		ENJ = 2.5L 4 Cyl 16V Turbo Diesel Engine	DGV = 4-Spd. Automatic VLP
			ED1 = 2.4L 4 Cyl DOHC 16v SMPI Engine	Transmission
				DGQ = 5-Spd Automatic 5-45RFE
				Transmission
				DEH = 6-Speed Manual NSG370
				Transmission
				DDD = 5-Speed HD Manual
				Transmission
				DDK = 5-Speed HD Manual
				Transmission

AR = use ase required - = Non illustrated part

Fuel Door/Filler  
Figure LBL5-410

ITEM	PART NUMBER	QTY	LINE	SERIES	BODY	ENGINE	TRANS	TRIM	DESCRIPTION
1									LABEL, Fuel
	55295856	1				EK0			English and French
	J5464900	1				EN0			Diesel



LIBERTY (KJ)

SERIES      LINE  
H = HIGHLINE    T = JEEP - 2WD  
M = MEDIUM     J = JEEP - 4WD  
P = PREMIUM    U = JEEP - 4WD (RHD)

BODY  
74 = SPORT UTILITY 4-DR

ENGINE      TRANSMISSION  
EKG = 3.7L V6 Engine      DG6 = 4-Spd. Automatic 42RLE  
ENR = 2.8L 4 Cyl Turbo Diesel Engine      DGV = 4-Spd. Automatic VLP  
ENJ = 2.5L 4 Cyl 16V Turbo Diesel Engine      DGQ = 5-Spd Automatic 5-45RFE  
ED1 = 2.4L 4 Cyl DOHC 16v SMPI Engine      DEH = 6-Speed Manual NSG370  
Transmission  
DDD = 5-Speed HD Manual Transmission  
DDK = 5-Speed HD Manual Transmission

AR = use ase required - = Non illustrated part

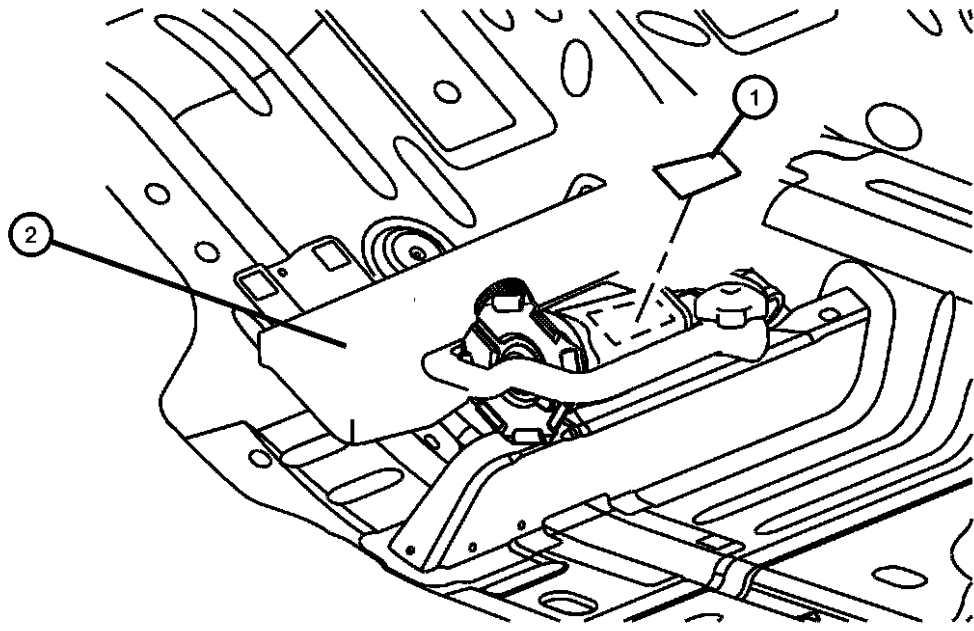
**Jack Assembly  
Figure LBL5-510**

ITEM	PART NUMBER	QTY	LINE	SERIES	BODY	ENGINE	TRANS	TRIM	DESCRIPTION
------	-------------	-----	------	--------	------	--------	-------	------	-------------

NOTES: Sales Codes:

- [ABA] = Australia Equipment Group
- [ABD] = Middle East Equipment Group
- [XLR] = French/Canada Language
- [XLS] = French/Parisian Language

1	52059371AB	1							LABEL, Jack Instructions, [ABA]
2									LABEL, Jack Caution
	52110392AB	1							[XLS]
		1							[XLR]
	52110400AB	1							[ABD]



**LIBERTY (KJ)**

SERIES	LINE
H = HIGHLINE	T = JEEP - 2WD
M = MEDIUM	J = JEEP - 4WD
P = PREMIUM	U = JEEP - 4WD (RHD)

BODY
74 = SPORT UTILITY 4-DR

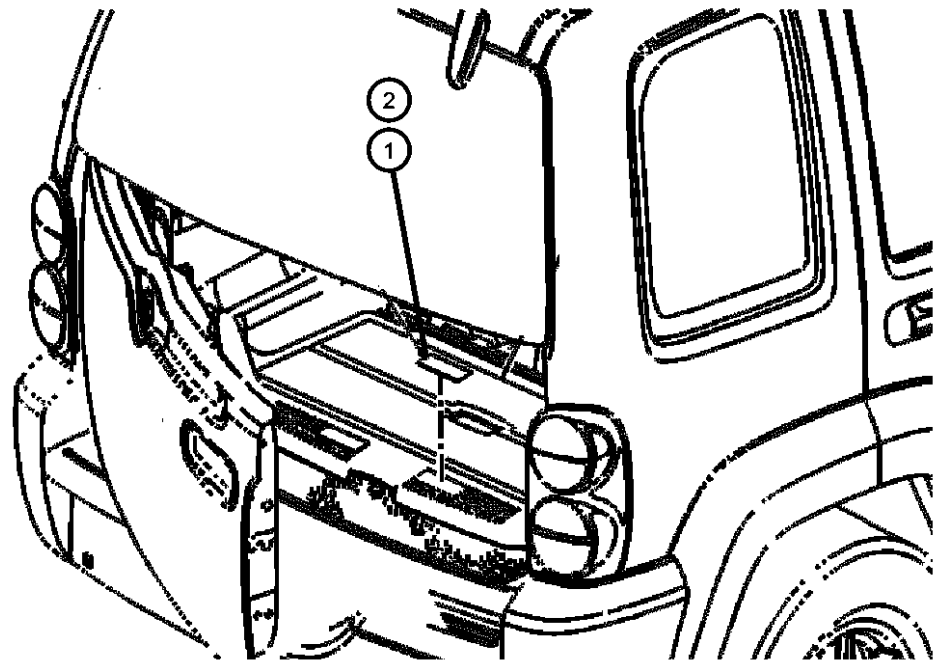
ENGINE	TRANSMISSION
EKG = 3.7L V6 Engine	DG6 = 4-Spd. Automatic 42RLE
ENR = 2.8L 4 Cyl Turbo Diesel Engine	DGV = 4-Spd. Automatic VLP
ENJ = 2.5L 4 Cyl 16V Turbo Diesel Engine	DGQ = 5-Spd Automatic 5-45RFE
ED1 = 2.4L 4 Cyl DOHC 16v SMPI Engine	DEH = 6-Speed Manual NSG370
	DDD = 5-Speed HD Manual
	DDK = 5-Speed HD Manual

AR = use ase required - = Non illustrated part

2006 KJ

**Rear Cargo  
Figure LBL5-520**

ITEM	PART NUMBER	QTY	LINE	SERIES	BODY	ENGINE	TRANS	TRIM	DESCRIPTION
1	55352890AA	1							LABEL, Warning Cargo Organizer French
	55352891AA	1							Cargo Organizer Arabic
2	52110400AB	1							LABEL, Jack Caution, Arabic



**LIBERTY (KJ)**

SERIES      LINE  
H = HIGHLINE    T = JEEP - 2WD  
M = MEDIUM     J = JEEP - 4WD  
P = PREMIUM    U = JEEP - 4WD (RHD)

BODY  
74 = SPORT UTILITY 4-DR

ENGINE      TRANSMISSION  
EKG = 3.7L V6 Engine      DG6 = 4-Spd. Automatic 42RLE  
ENR = 2.8L 4 Cyl Turbo Diesel      Transmission  
Engine      DGV = 4-Spd. Automatic VLP  
ENJ = 2.5L 4 Cyl 16V Turbo      Transmission  
Diesel Engine      DGQ = 5-Spd Automatic 5-45RFE  
ED1 = 2.4L 4 Cyl DOHC 16v      Transmission  
SMPI Engine      DEH = 6-Speed Manual NSG370  
Transmission  
DDD = 5-Speed HD Manual  
Transmission  
DDK = 5-Speed HD Manual  
Transmission

AR = use ase required - = Non illustrated part